

allen + roth<sup>®</sup>

welcoming • sophisticated • inspiring



allen + roth<sup>®</sup> is a registered trademark of LF, LLC. All Rights Reserved.

ITEM #0336271

## POST LANTERN

MODEL #LWS1176D

**ATTACH YOUR RECEIPT HERE**

Serial Number \_\_\_\_\_ Purchase Date \_\_\_\_\_

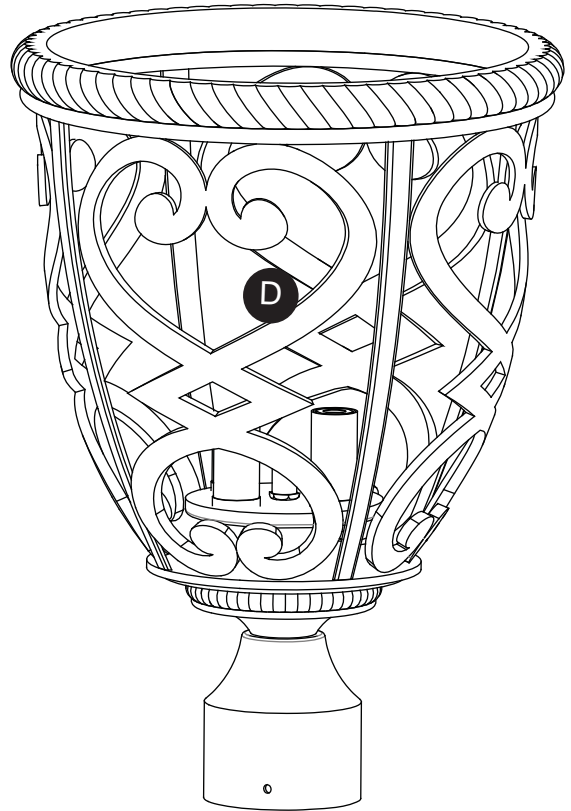
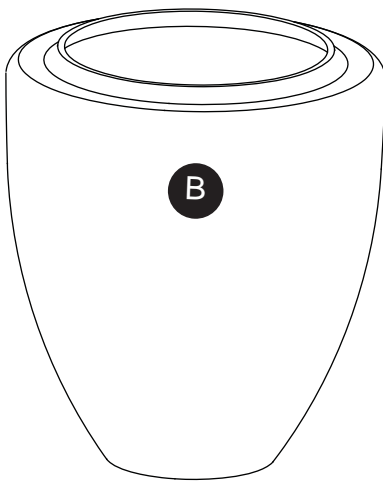
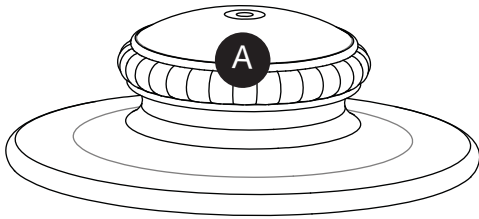
**Questions, problems, missing parts?** Before returning to your retailer, call our customer service department at 1-866-439-9800, 8 a.m. - 6 p.m., EST, Monday - Thursday, 8 a.m. - 5 p.m., EST, Friday.

EB14582

Lowes.com/allenandroth allen + roth<sup>®</sup>

## PACKAGE CONTENTS

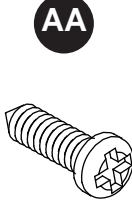

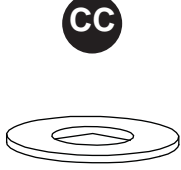
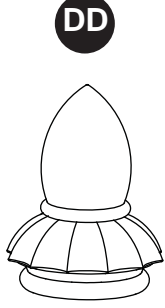

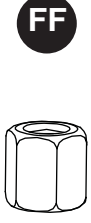

---



PART	DESCRIPTION	QUANTITY
A	Fixture Hood	1
B	Shade	1
C	Center Stem	1
D	Fixture Body	1

## HARDWARE CONTENTS (shown actual size)

---

						
Mounting Screw	Wire Connector	Washer	Finial	Nipple	Hex Coupling	Hex Nut
Qty. 3	Qty. 3	Qty. 1	Qty. 1	Qty. 1	Qty. 1	Qty. 1

## SAFETY INFORMATION

---

Please read and understand this entire manual before attempting to assemble, operate or install the product.

### WARNING

- RISK OF ELECTRIC SHOCK - Before beginning installation, turn off electricity at the circuit breaker box or the main fuse box.
- RISK OF FIRE - Use bulbs specified by the markings and/or labels on the fixture.
- For your safety, read instructions completely before beginning installation.
- If in doubt about electrical installation, consult a licensed electrician.
- Turn off electricity to fixture before replacing the bulb(s).

### PREPARATION

---

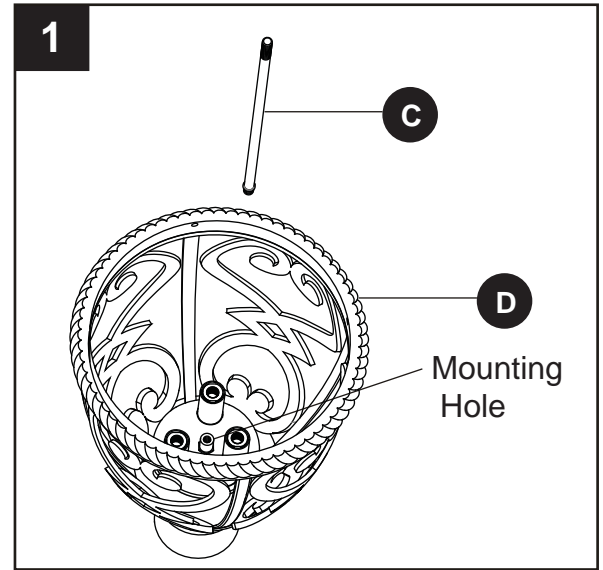
Before beginning assembly of product, make sure all parts are present. Compare parts with package contents list and hardware contents list. If any part is missing or damaged, do not attempt to assemble the product.

**Estimated Assembly Time: 20 - 30 minutes**

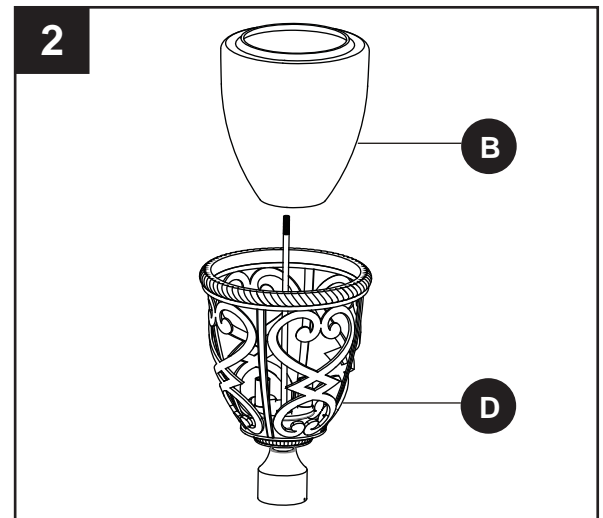
Tools Required for Assembly (not included): Flathead screwdriver, Phillips screwdriver, Pliers, Wire cutters, Electrical tape, Safety goggles and Ladder.

## ASSEMBLY INSTRUCTIONS

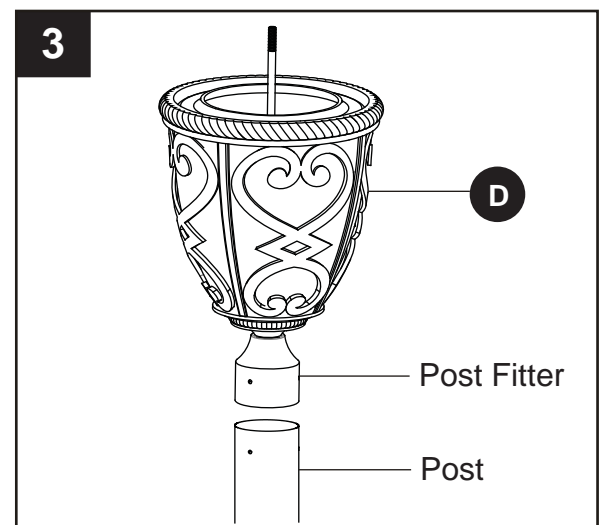
1. Thread the beaded end of the center stem (C) into the mounting hole on the top center of the junction box inside of fixture body (D). Hand tighten until snug.



2. Place the shade (B) into the fixture body (D).

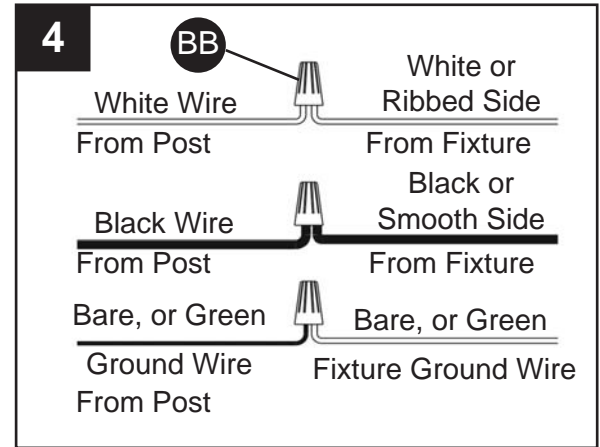


3. Carefully fit the post fitter on the fixture body (D) over the end of the post (not supplied), making sure the post fitter is fully seated. Mark the drill point for the 3 mounting screws using 3 mounting holes as reference. After marking hole locations, remove fixture from post and drill 1/16 in. pilot holes for screws.



## ASSEMBLY INSTRUCTIONS

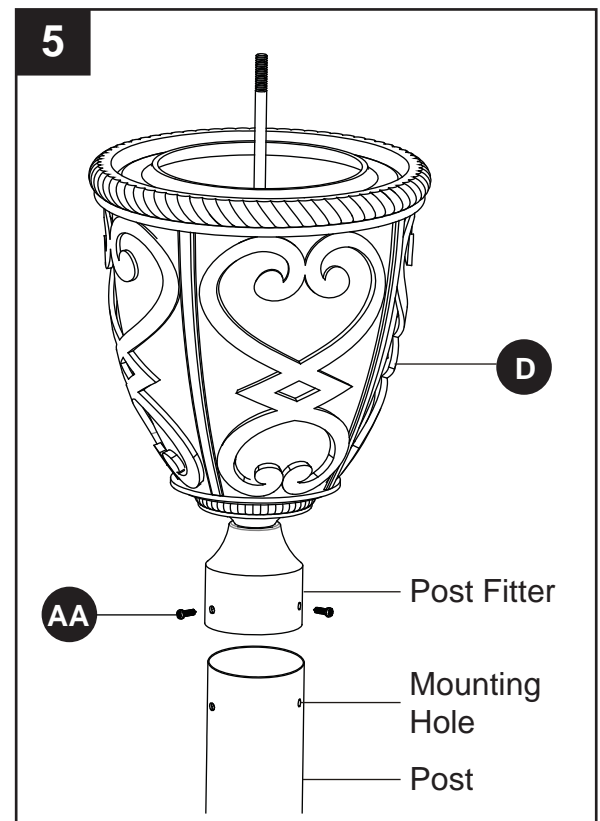
4. Attach ground fixture wire to the ground wire from the post (usually GREEN or BARE). Connect the neutral WHITE or RIBBED side fixture wire to the neutral usually WHITE wire from the post. Connect the hot BLACK or SMOOTH side fixture wire to the hot usually BLACK wire from the post. Fasten wires together with a wire connector (BB) and tightly wrap wire connector (BB) with electrical tape (not included).



### Hardware Used



5. Coat the top 1 in. of the post with clear silicone caulk (not supplied) and position the post fitter on the fixture body (D) onto the post. Be sure to seat it completely, aligning the holes in the fitter with the 1/16 in. pilot holes drilled into the post. Secure the fixture to post with 3 mounting screws (AA).

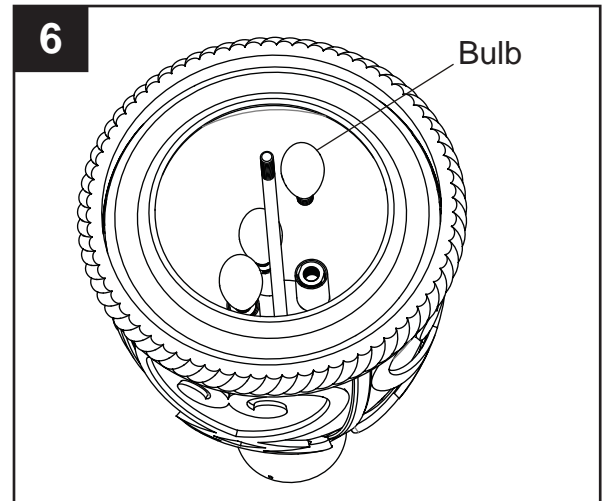


### Hardware Used

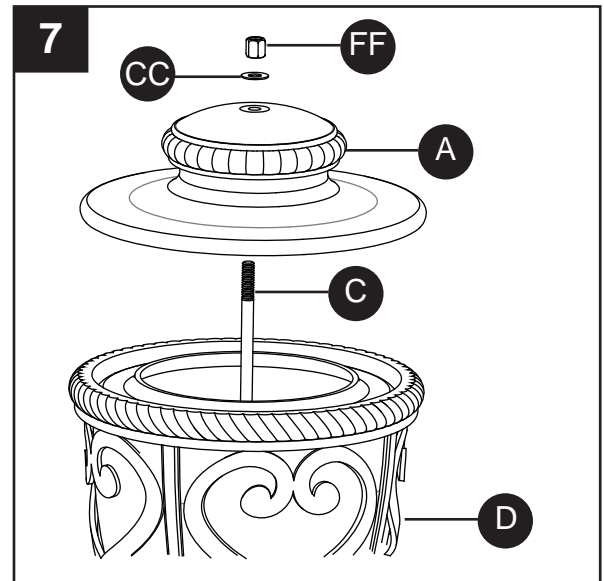


## ASSEMBLY INSTRUCTIONS



6. Install (3) 60-watt max. candelabra-base incandescent bulbs or (3) 13-watt max. spring self-ballasted candelabra-base CFL (none included).



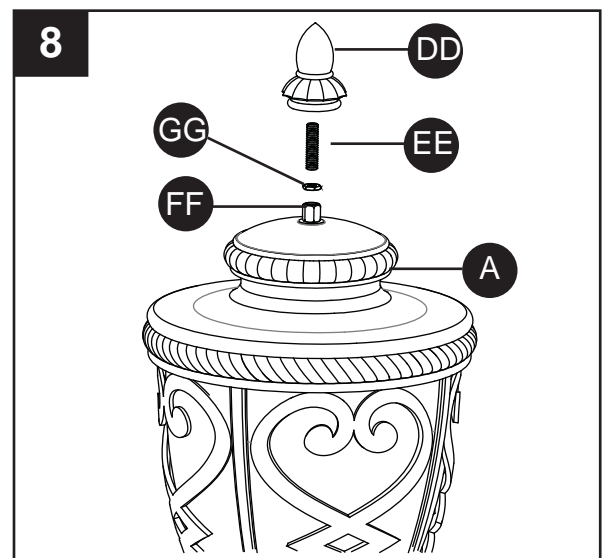
7. Place the fixture hood (A) over the top end of the center stem (C), attach to the top edge of the fixture body (D). Pass the washer (CC) over the center stem (C) and secure with the hex coupling (FF). Hand tighten until snug.



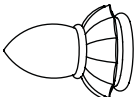


### Hardware Used

<b>CC</b>	Washer		x 1
<b>FF</b>	Hex Coupling		x 1

8. Thread the hex nut (GG) onto one end of the nipple (EE). Thread the nipple (EE) into the hex coupling (FF). Using pliers, thread the hex nut (GG) against the hex coupling (FF) and hand tighten until snug. Thread the finial (DD) onto the end of the nipple (EE) and hand tighten until snug.



### Hardware Used

<b>DD</b>	Finial		x 1
<b>EE</b>	Nipple		x 1
<b>GG</b>	Hex Nut		x 1

## CARE AND MAINTENANCE

---

- Wipe clean using soft, dry cloth or static duster. Always avoid using harsh chemicals and abrasives to clean fixture as they may damage the finish.

## TROUBLESHOOTING

---

PROBLEM	POSSIBLE CAUSE	CORRECTIVE ACTION
Bulbs will not light.	<ol style="list-style-type: none"><li>1. Bulb is burned out.</li><li>2. Power is off.</li><li>3. Faulty wire connection.</li><li>4. Faulty switch.</li></ol>	<ol style="list-style-type: none"><li>1. Replace light bulb.</li><li>2. Make sure power supply is on.</li><li>3. Check wiring.</li><li>4. Test or replace the switch.</li></ol>
Fuse blows or the circuit breaker trips when light is turned on.	Crossed wires or power wire is grounding out.	Check wire connection.

## WARRANTY

---

The manufacturer warrants all of its lighting fixtures against defects in materials and workmanship for five (5) years from the date of purchase. If within this period the product is found to be defective in material or workmanship, the product must be returned, with a copy of the original sales receipt as proof of purchase in the original carton, to the place of purchase. The manufacturer will, at its option, repair, replace or refund the original purchase price to the consumer. This warranty does not cover fixtures becoming defective due to misuse, accidental damage, improper handling and/or installation and specifically excludes liability for direct, incidental or consequential damages. As some states do not allow exclusions or limitations on an implied warranty, the above exclusions and limitations may not apply to you. This warranty gives you specific legal rights. You may have other rights that vary from state to state.

## REPLACEMENT PARTS LIST

---

For replacement parts, call our customer service department at 1-866-439-9800, 8 a.m. - 6 p.m., EST, Monday - Thursday, 8 a.m. - 5 p.m., EST, Friday.

PART	DESCRIPTION	PART #
B	Shade	G2383SH

