

**styleselections®**

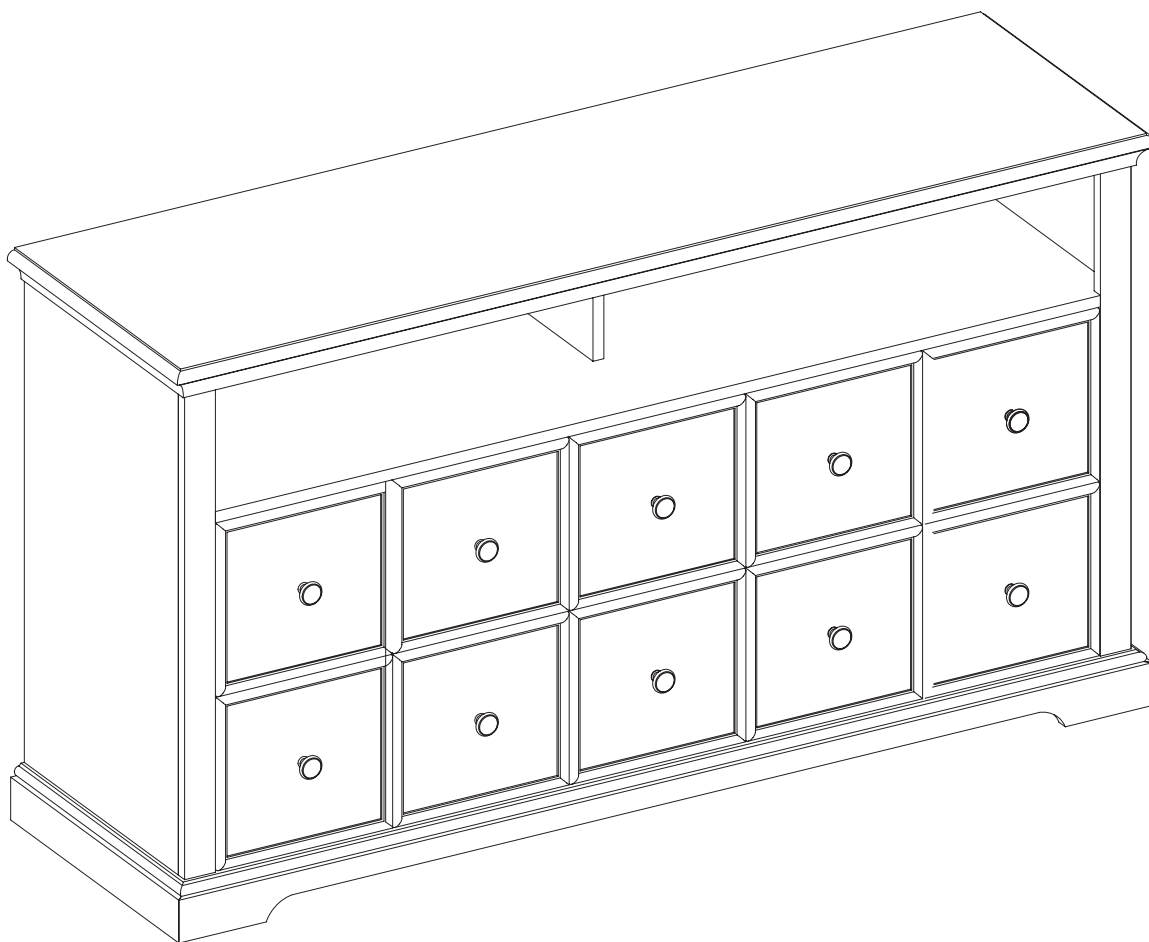
Style Selections® is a registered trademark of LF, LLC. All rights reserved.

# ELECTRIC FIREPLACE WITH MEDIA MANTEL

MODEL # 88300/26MM40013-Z335

Français p. 22

Español p. 43



**Questions, problems, missing parts?** Before returning to your retailer, call our customer service department at 1-877-888-8225, 8 a.m. - 8 p.m., EST, Monday - Friday.

## TABLE OF CONTENTS

---

Product Specifications .....	2
Safety Information .....	3
Package Contents .....	6
Hardware Contents.....	7
Preparation .....	8
Assembly Instructions.....	8
Operating Instructions .....	17
Care and Maintenance .....	18
Troubleshooting.....	19
Warranty .....	20
Replacement Parts List .....	21

## PRODUCT SPECIFICATIONS

---

VOLTAGE	120VAC, 60 Hz
AMPS	11.7 Amps
WATTS	1,400 Watts

# SAFETY INFORMATION

---

Please read and understand this entire manual before attempting to assemble, operate or install the product. When using electrical appliances, basic precautions should always be followed to reduce the risk of fire, electrical shock and injury to persons, including the following:

## **DANGER:**

- This heater is not intended for use in bathrooms, laundry areas and similar indoor locations. Never place this appliance where it may fall into a bathtub or other water container.

## **WARNING:**

- Use this appliance only as described in the manual. Any other use not recommended by the manufacturer may cause fire, electrical shock or injury to persons.
- The appliance is not to be used by children or persons with reduced physical, sensory or mental capabilities, or lack of experience and knowledge, unless they have been given proper instructions or are being supervised carefully.
- Do not swallow batteries. Seek emergency care if batteries are ingested.
- Disconnect power before attempting any maintenance or cleaning to reduce the risk of fire, electrical shock or personal injury.
- Do not insert or allow foreign objects to enter any ventilation or exhaust opening as this may cause an electrical shock or fire, or damage the appliance.

## **CAUTION:**

- High temperatures may be generated under certain abnormal conditions. Do not partially or fully cover or obstruct the front of this heater.
- If the supply cord is damaged, it must be replaced by the manufacturer, its service agent or similarly qualified persons in order to avoid a hazard.
- This heater includes a visual alarm to warn when parts of the heater are getting excessively hot. If the alarm flashes, immediately turn the heater off and inspect for any objects on or adjacent to the heater that may cause high temperatures.  
**DO NOT OPERATE THE HEATER WITH THE ALARM FLASHING!**
- In order to avoid overheating, do not cover the heater.
- Do not use outdoors.
- To prevent a possible fire, do not block air intakes or exhaust in any manner. Do not use on soft surfaces, like a bed, where opening may become blocked.
- This appliance has hot and arcing or sparking parts inside. Do not use it in areas where gasoline, paint or flammable liquids are used or stored. This fireplace should not be used as a drying rack for clothing. Christmas stockings or decorations should not be hung in the area of it.

# SAFETY INFORMATION

- To disconnect this appliance, turn controls to the off position, then remove plug from outlet.
- Connect to properly grounded outlets only. This heater is for use on 120 volts. Do not use 2-prong adapters. Never use with an extension cord or relocatable power tap (outlet/power strip).

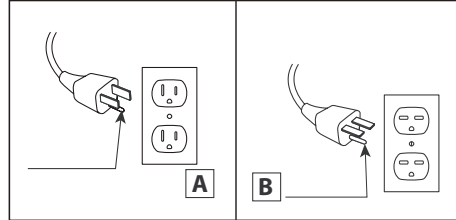


Fig.1

- This appliance, when installed, must be electrically grounded in accordance with local codes or, in the absence of local codes, with the current CSA C22.1 Canadian Electrical Code. For U.S.A. installations, follow local codes and the National Electrical Code, ANSI/NFPA NO.70.
- Make sure the power is turned off before proceeding. Any electrical repairs or rewiring of this unit should be carried out by a licensed electrician in accordance with national and local codes. If repairing or replacing any electrical component or wiring, the original wire routing, color coding and securing locations must be followed.
- Electrical outlet wiring must comply with local building codes and other applicable regulations to reduce the risk of fire, electrical shock and injury to persons.
- Do not use this fireplace if any part of it has been under water. Immediately call a qualified service technician to inspect the fireplace and replace any part of the electrical system.
- During any service of this appliance, the power to the unit must be turned off. First turn the main power switch to the OFF position, then remove the electrical plug from the wall outlet.
- Never leave the heater operating unattended. Extreme caution is necessary if unsupervised children or invalids are nearby.
- Always unplug this appliance when not in use.
- Do not operate any heater with a damaged cord or plug or after the appliance malfunctions, or if it has been dropped or damaged in any manner.
- Do not run cord under carpeting. Do not cover cord with throw rugs, runners or the like. Arrange cord away from traffic areas and where it will not be tripped over.
- Do not mix old and new batteries.
- Do not mix alkaline, standard (Carbon Zinc), or rechargeable (NiCd, NiMH, etc.) batteries.

# SAFETY INFORMATION

---

- Batteries are to be inserted with the correct polarity.
- Exhausted batteries are to be removed from the product.
- Non-rechargeable batteries are not to be recharged.

## SAVE THESE INSTRUCTIONS.



**Cold-climate installation:** It is mandatory the outer walls be insulated to conform to applicable insulation codes.

### ELECTRICAL CONNECTION

A 15-Amp, 120-volt, 60 Hz circuit with a properly grounded outlet is required. Preferably, the fireplace will be on a dedicated circuit as other appliances on the same circuit may cause the circuit breaker to trip or the fuse to blow when the heater is in operation. The unit comes standard with 6 ft. three-wire cord, exiting from the rear of the fireplace.

NOTE: This equipment has been tested and found to comply with the limits for a Class B digital device, pursuant to part 15 of the FCC Rules. These limits are designed to provide reasonable protection against harmful interference in a residential installation. This equipment generates, uses, and can radiate radio frequency energy and, if not installed and used in accordance with the instructions, may cause harmful interference to radio or television reception, which can be determined by turning the equipment off and on. The user is encouraged to try to correct the interference by one or more of the following measures:

- Reorient or relocate the receiving antenna.
- Increase the separation between the equipment and the receiver.
- Plug the equipment into an outlet on a circuit different from that to which the receiver is connected.
- Consult the dealer or an experienced radio/TV technician for help.

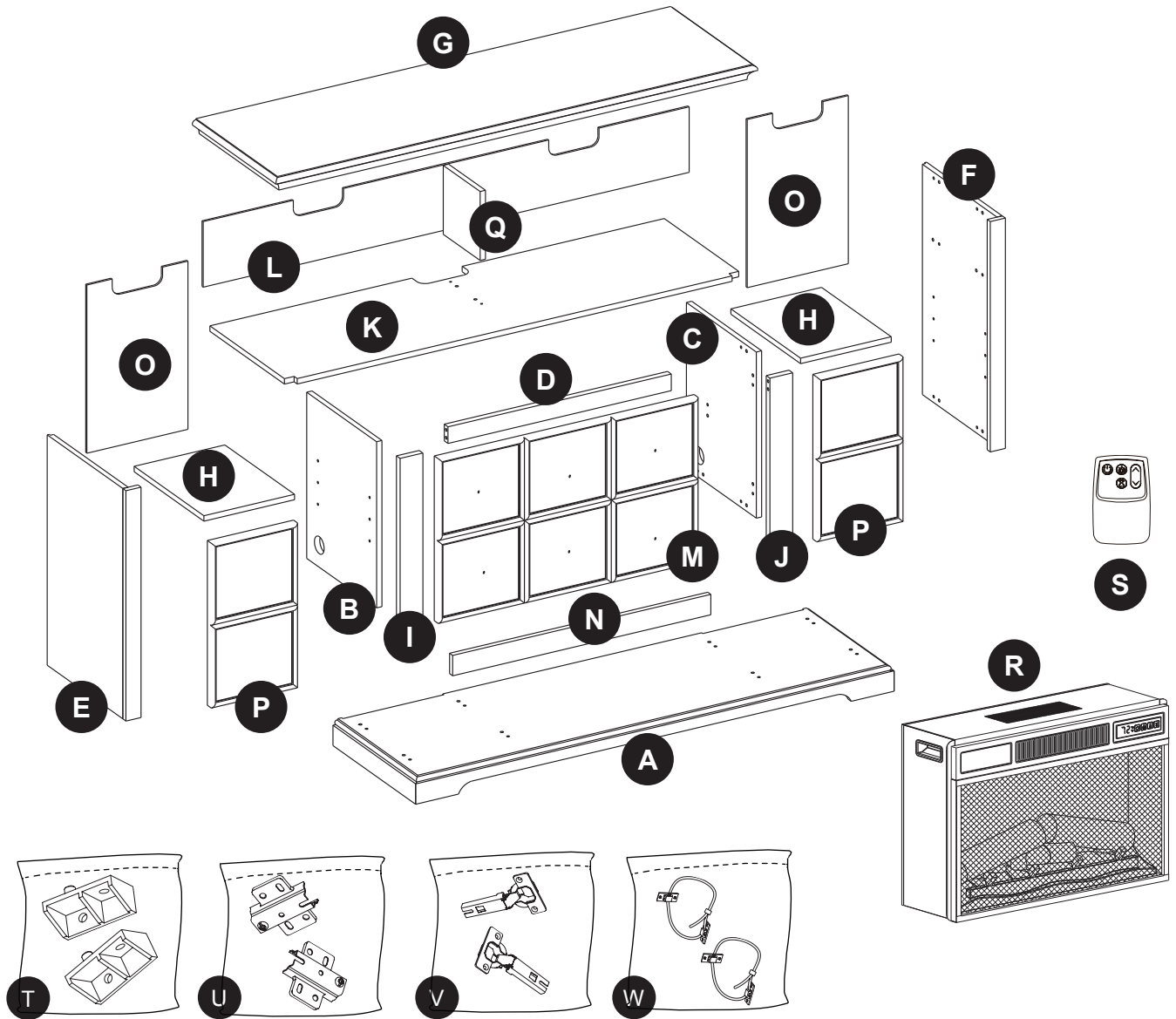
This device complies with Part 15 of the FCC Rules. Operation is subject to the following two conditions:

- (1) This device may not cause harmful interference, and
- (2) this device must accept any interference received, including interference that may cause undesired operation.

Modifications not approved by the party responsible for compliance could void user's authority to operate the equipment.

This Class B digital apparatus complies with Canadian ICES-003.

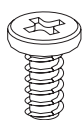
# PACKAGE CONTENTS



PART	DESCRIPTION	QUANTITY
A	Base	1
B	Center Left Side Panel	1
C	Center Right Side Panel	1
D	Center Front Panel	1
E	Left Side Panel	1
F	Right Side Panel	1
G	Mantel Top	1
H	Wood Shelf	2
I	Center Left Front Panel	1
J	Center Right Front Panel	1
K	Center Shelf	1
L	Center Back Panel	1
M	Insert Door	1
N	Insert Support Bar	1
O	Rear Panel	2
P	Door	2
Q	Top Middle Support Panel	1
R	Insert	1
S	Remote	1
T	Plastic Connector Block Pack	1
U	Hinge Bracket Pack	1
V	Hinge Pack	1
W	Tipping Restraint Hardware Pack	1

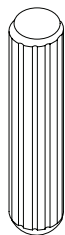
**HARDWARE CONTENTS** (shown actual size)

**AA**



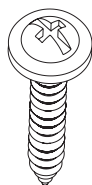
Bolt  
Qty: 56

**BB**



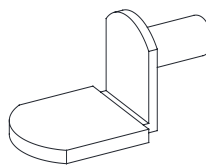
Wood Dowel  
Qty: 6

**CC**



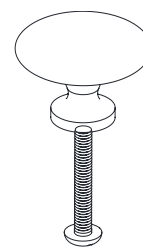
Truss Head  
Screw  
Qty: 46

**DD**



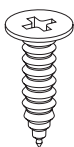
Shelf Pin  
Qty: 8

**EE**



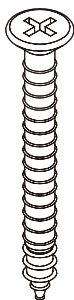
Door Pull  
(Not to scale)  
Qty: 10

**FF**



Screw  
Qty: 24

**GG**



Long Screw  
Qty: 2

**HH**



Door Bumper  
Qty: 7

**II**



Touch-up Pen  
(Not to scale)  
Qty: 1

## PREPARATION

Before beginning assembly of product, make sure all parts are present. Compare parts with package contents list and hardware contents list. If any part is missing or damaged, do not attempt to assemble, install or operate the product. To protect the product from possible scratches, assemble the parts on a scratch-free surface.

### Estimated Assembly Time: 60 minutes

Tools Required for Assembly (not included): Phillips screwdriver, scissors and utility knife.

## ASSEMBLY INSTRUCTIONS

**CAUTION:** Hand tighten all connections; do not use a drill.

1. Align 4 plastic connectors from connector pack (T) with correct holes on center left side panel (B) and center right side panel (C). Secure plastic connectors with bolts (AA).

### Hardware Used

AA Bolt  x 4

2. Use bolts (AA) through plastic connectors to attach center left front panel (I) to left side panel (B) and center right front panel (J) to right side panel (C).

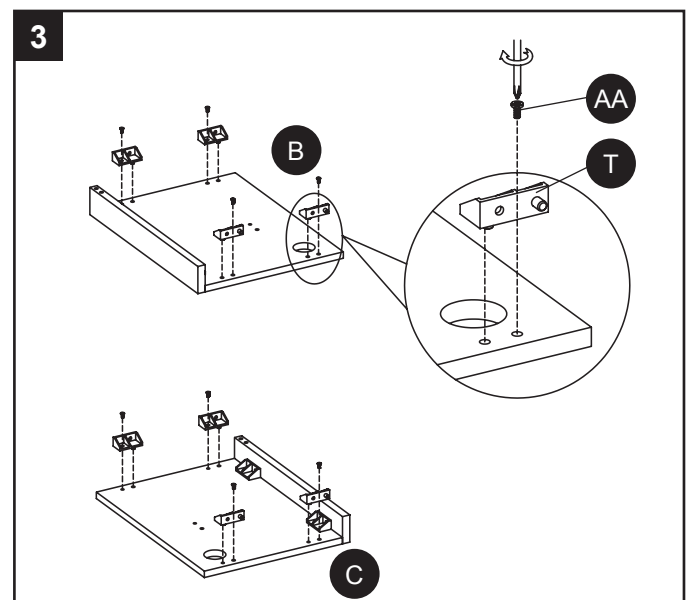
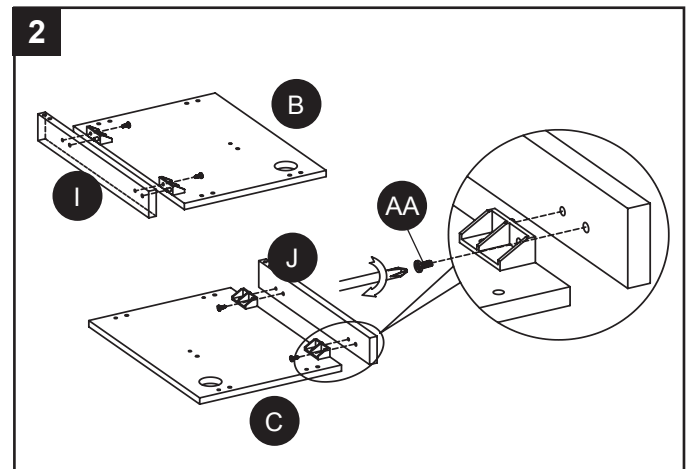
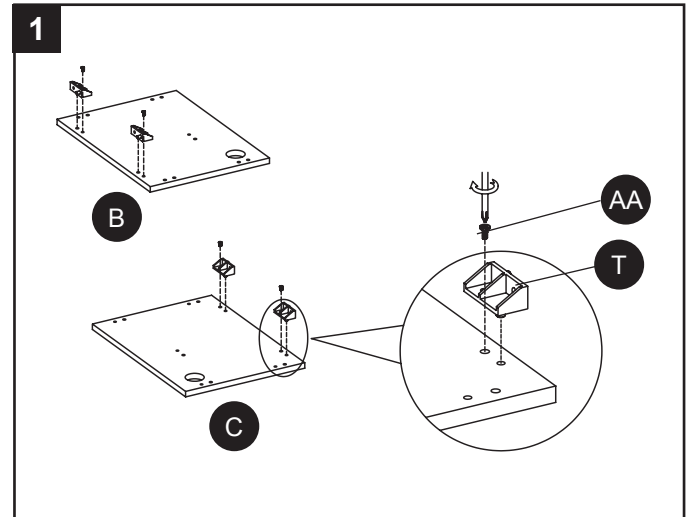
### Hardware Used

AA Bolt  x 4

3. Align 8 more plastic connectors from connector pack (T) with correct holes on center left side panel (B) and center right side panel (C). Secure plastic connectors with bolts (AA).

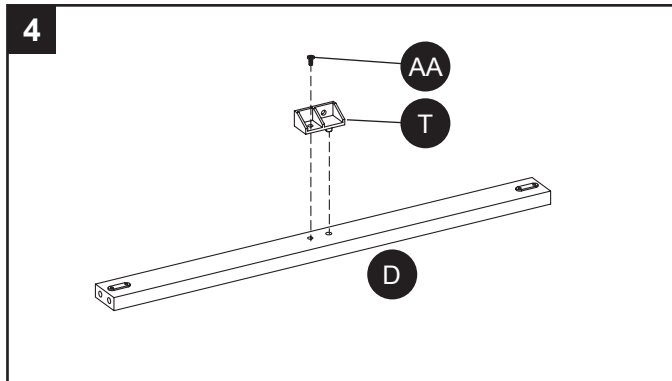
### Hardware Used

AA Bolt  x 8





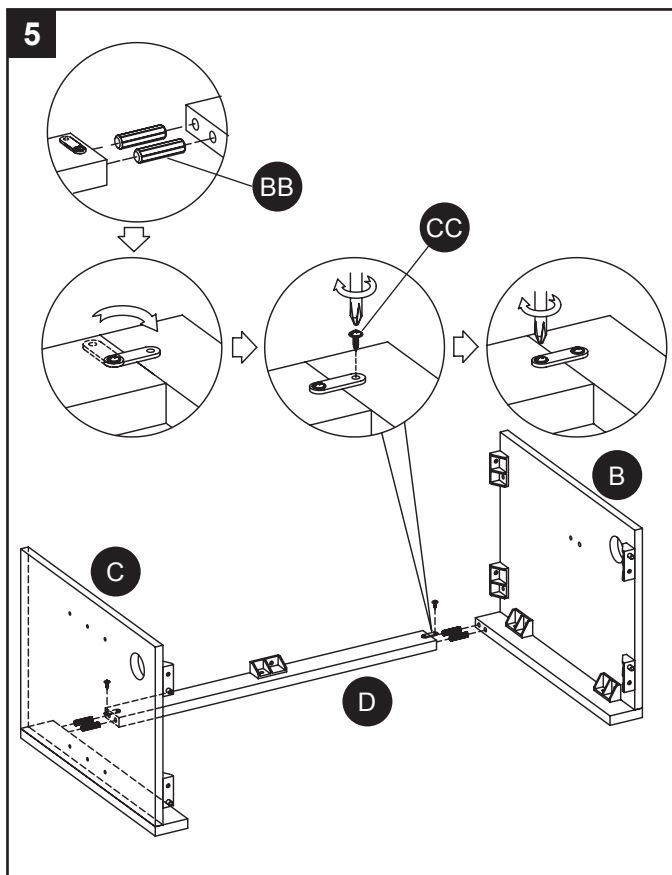
4. Attach 1 plastic connector from connector block (T) where shown to center front panel (D). Secure with bolts (AA).



**Hardware Used**

- AA Bolt  x 1

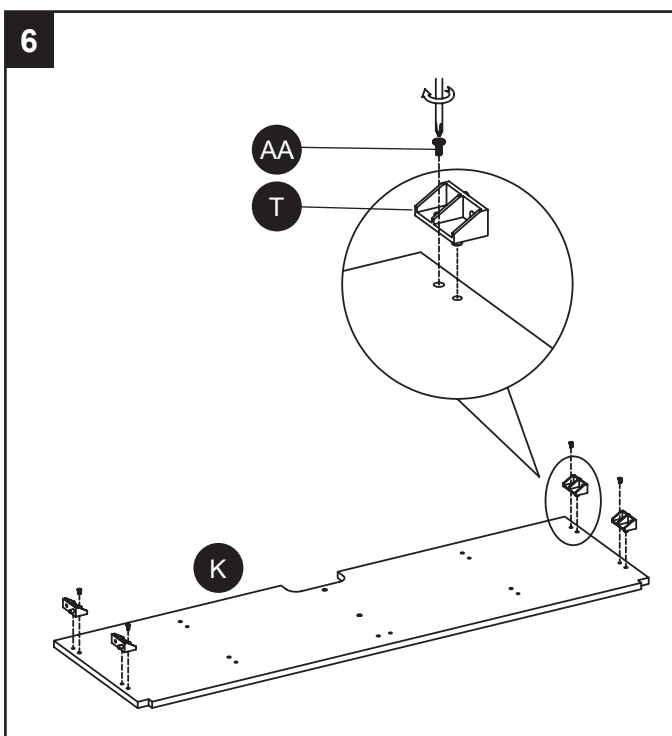
5. Insert 4 wood dowels (BB) into each pre-drilled hole on center front panel (D). Then, attach center front panel (D) between center left side panel (B) and center right side panel (C). Secure connection by sliding preassembled connection plates on center front panel (D) to align with corresponding holes on center left side panel (B) and center right side panel (C) and insert truss head screws (CC).



**Hardware Used**

- BB Wood Dowel  x 4
- CC Truss Head Screw  x 2

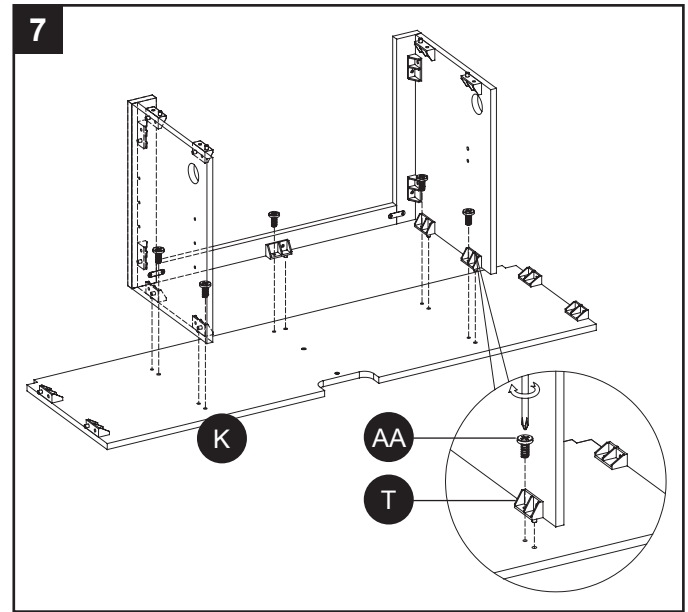
6. Align 4 plastic connectors from connector pack (T) with correct holes on center shelf (K). Secure plastic connectors with bolts (AA).



**Hardware Used**

- AA Bolt  x 4

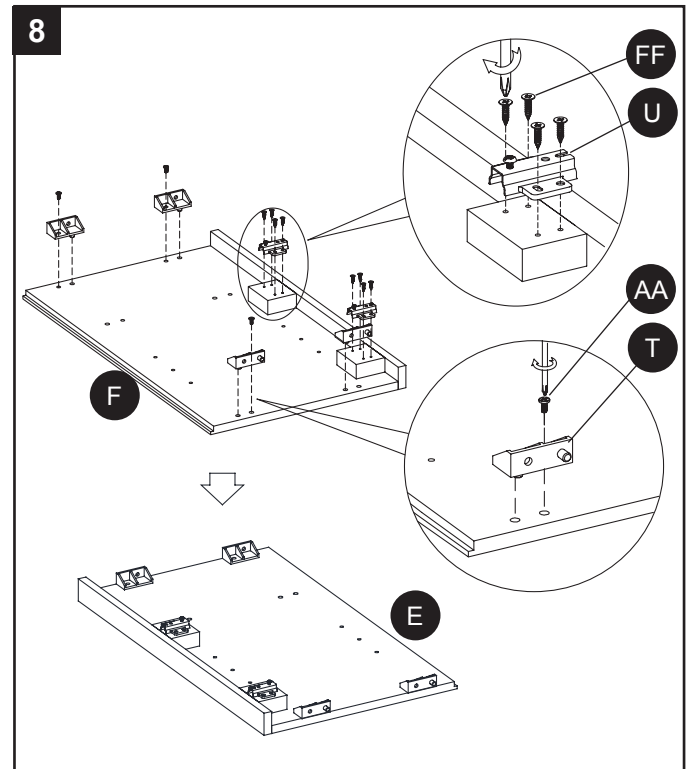
7. Use bolts (AA) through plastic connectors on center left side panel (B) and center right side panel (C) to attach assembly to center shelf (K).



**Hardware Used**

- AA Bolt  x 5

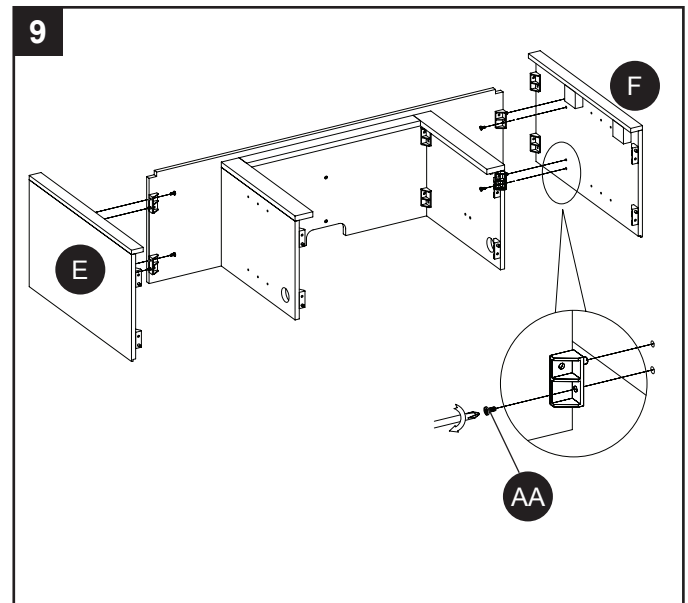
8. Align 8 plastic connectors from connector pack (T) with correct holes on left side panel (E) and right side panel (F). Secure plastic connectors with bolts (AA). Attach 4 hinges from hinge pack (U) as shown to left side panel (E) and right side panel (F), securing with screws (FF).



**Hardware Used**

- AA Bolt  x 8
- FF Screw  x 16

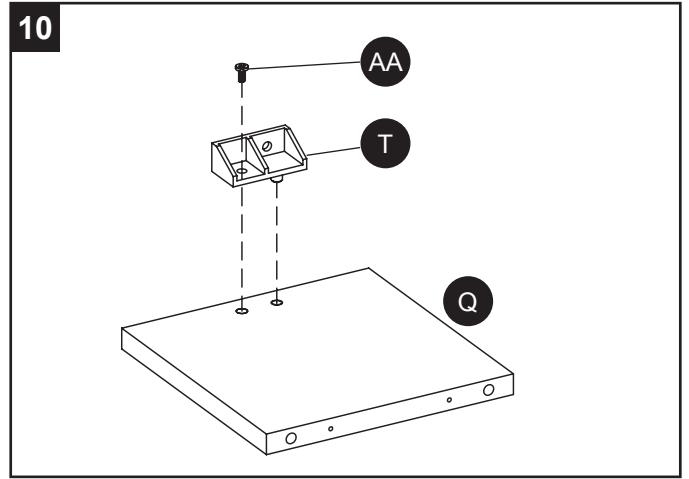
9. Flip the assembly from Step 7 to rest on its side. Use bolts (AA) through plastic connectors to connect center shelf (K) to left side panel (E) and right side panel (F) where shown.



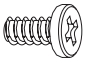
**Hardware Used**

- AA Bolt  x 4

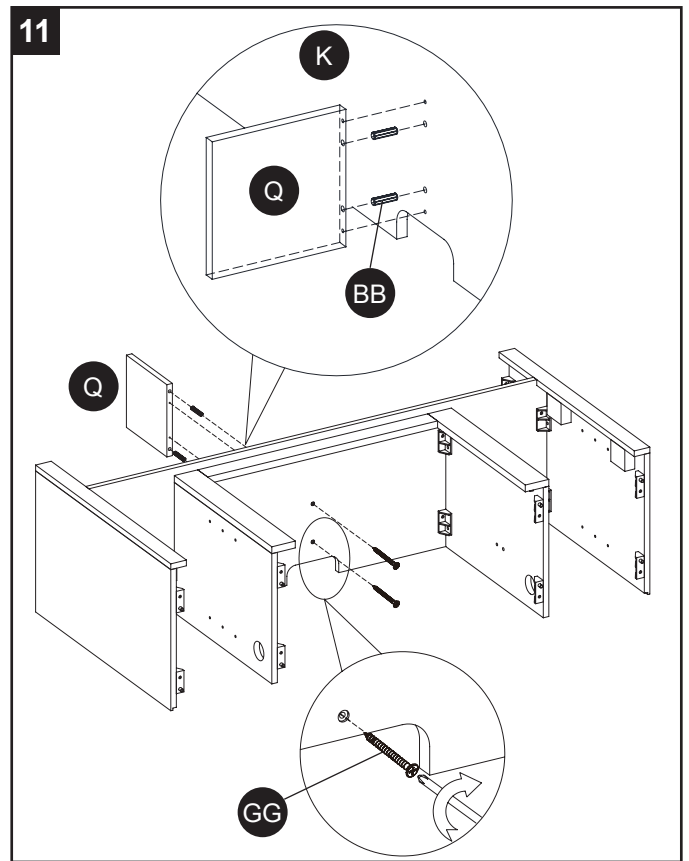
10. Align 1 plastic connector from connector pack (T) with correct holes on top middle support panel (Q). Secure plastic connectors with bolts (AA).





**Hardware Used**

- AA Bolt  x 1

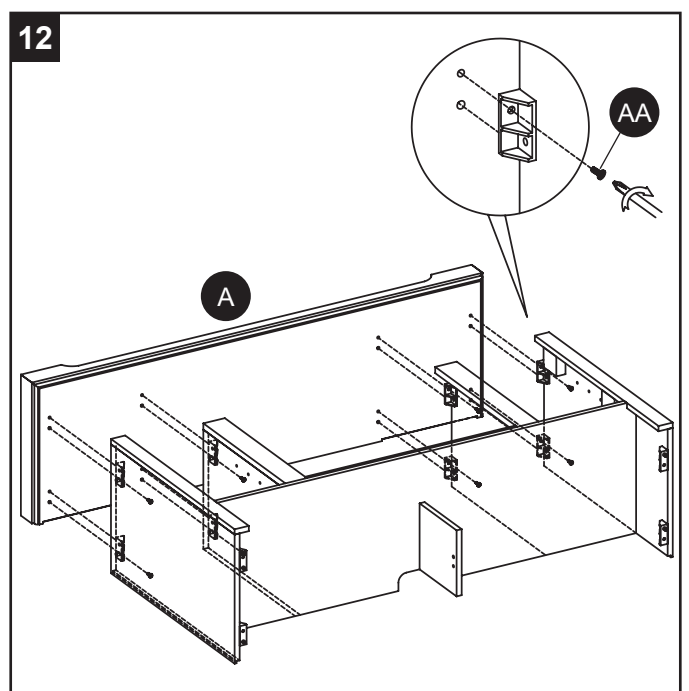
11. Insert one wood dowel (BB) into each of the pre-drilled holes in the top middle support panel (Q) and attach it to the top of center shelf (K); secure from the bottom with long screws (GG).



**Hardware Used**

- BB Wood Dowel  x 2
- GG Long Screw  x 2

12. Use bolts (AA) through plastic connectors to attach assembly to base (A).



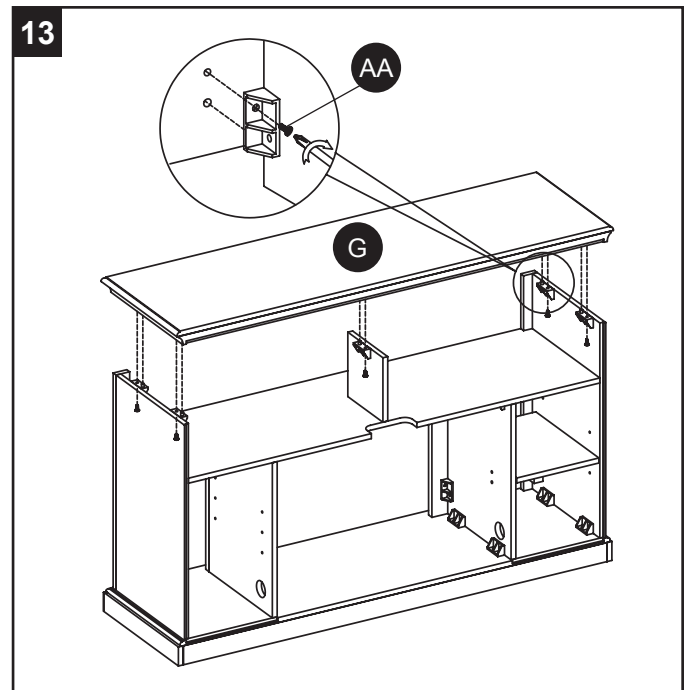
**Hardware Used**

- AA Bolt  x 8

13. Set assembly upright, then use bolts (AA) through plastic connectors to attach mantel top (G).

### Hardware Used

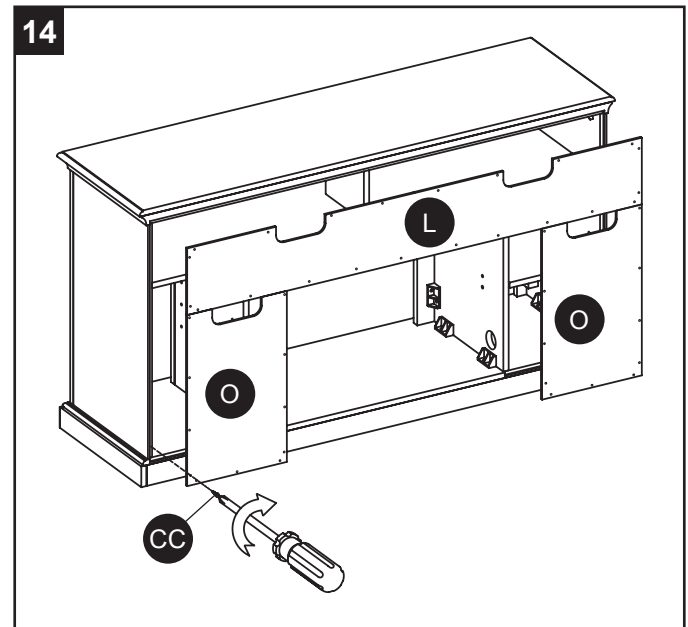
AA Bolt  x 5



14. Attach the center back panel (L) and rear panels (O) to the back of the assembly using truss head screws (CC) through the pre-drilled holes on the panels.

### Hardware Used

CC Truss Head Screw  x 44

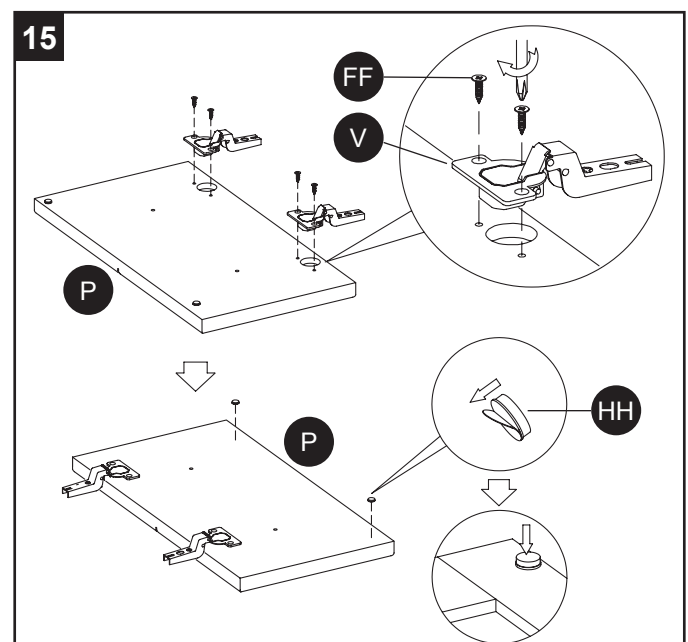


15. Use screws (FF) to attach hinges from hinge pack (V) to doors (P). Then, remove protective backing from 4 door bumpers (HH) and stick them firmly to each corner without the hinges of the doors (P).

### Hardware Used

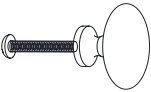

FF Screw  x 8

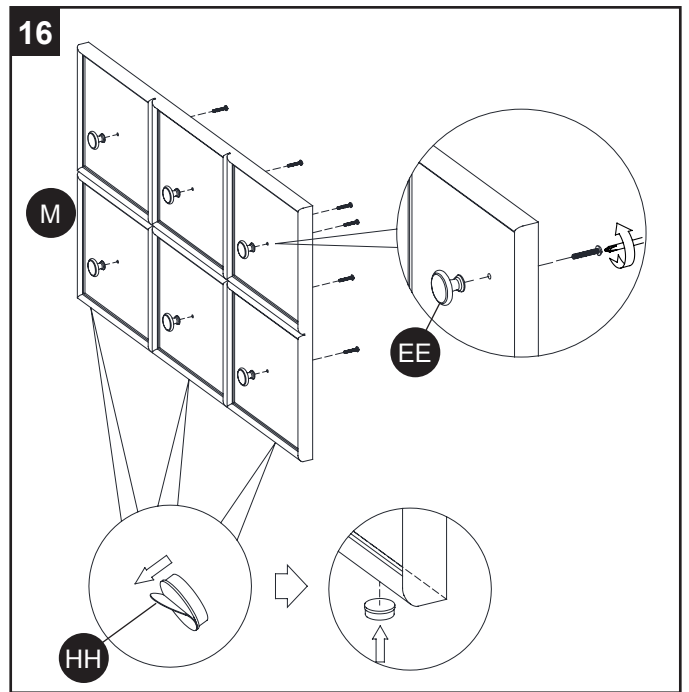
HH Door Bumper  x 4



16. Remove the preassembled bolts from 6 door pulls (EE), then install door pulls (EE) to insert door (M) with the bolts.

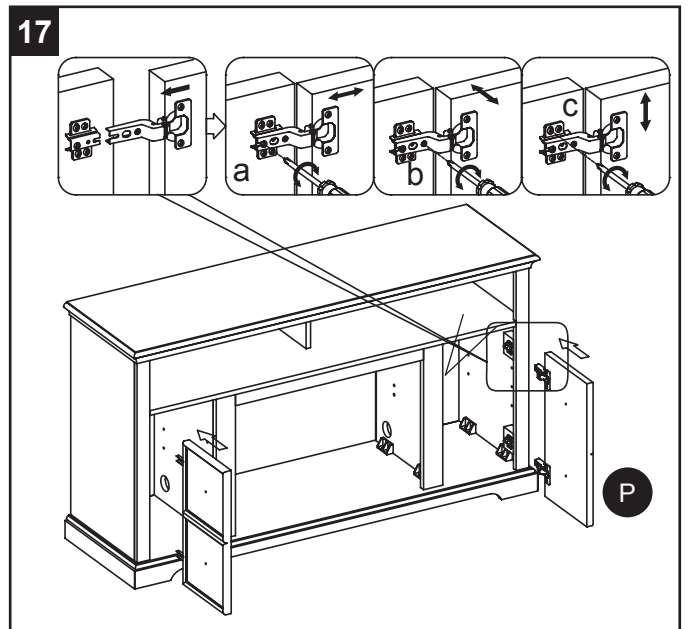
### Hardware Used

- |           |             |   |     |
|-----------|-------------|---|-----|
| <b>EE</b> | Door Pull   |  | x 6 |
| <b>HH</b> | Door Bumper |  | x 3 |



17. Align the hinges on doors (P) with the hinge brackets on the assembly, sliding the hinge until it is secure in the hinge bracket.

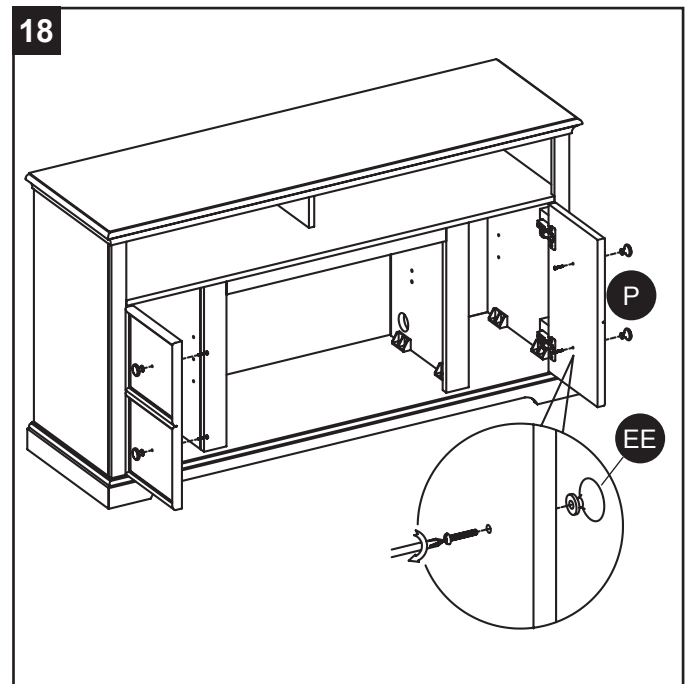
To adjust the doors right or left, loosen/tighten screw (a).  
 To adjust the doors forward or backward, change keyhole slot position as in (b).  
 To adjust the doors up or down, adjust bracket height as in (c).



18. Remove the preassembled bolts from 4 door pulls (EE), then install door pulls (EE) to doors (P) with the bolts.

### Hardware Used

- |           |           |   |     |
|-----------|-----------|---|-----|
| <b>EE</b> | Door Pull |  | x 4 |
|-----------|-----------|---|-----|

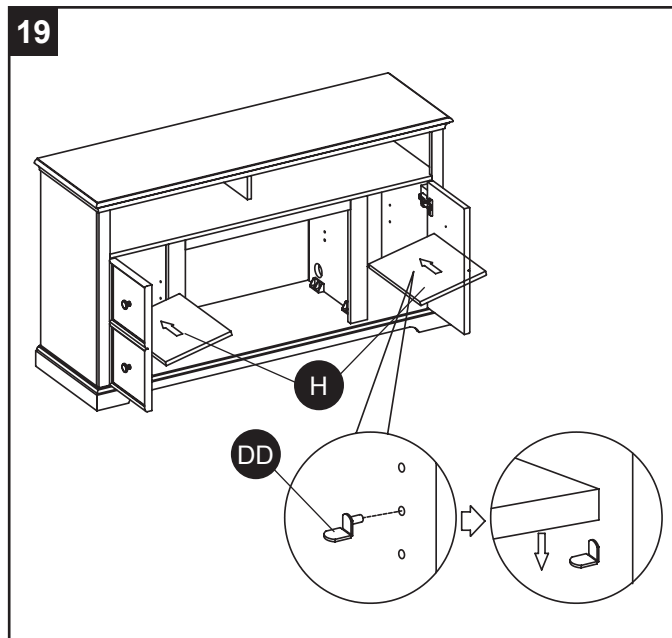
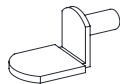


- 19 Choose desired height of wood shelf (H) and place the four shelf pins (DD) into the corresponding holes. Insert wood shelf (H) on top of the shelf pins (DD).

Repeat as desired for the other wood shelf (H).

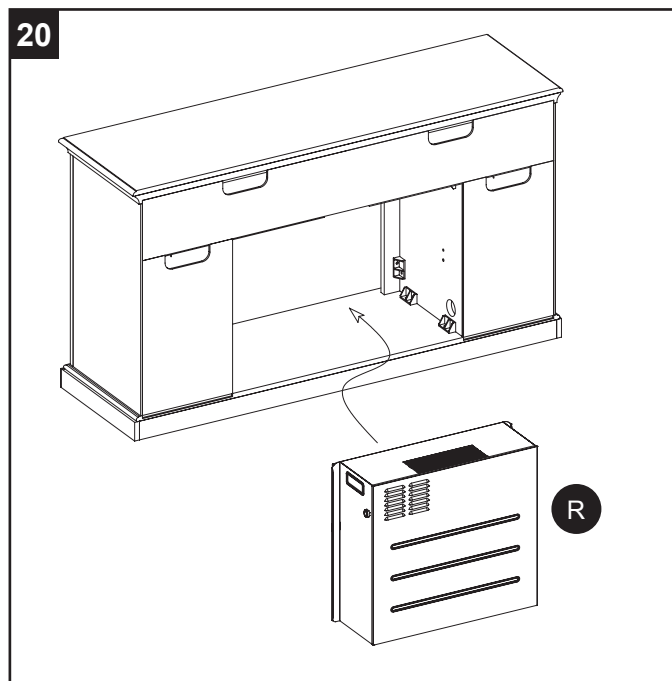
### Hardware Used

DD Shelf Pin x 8

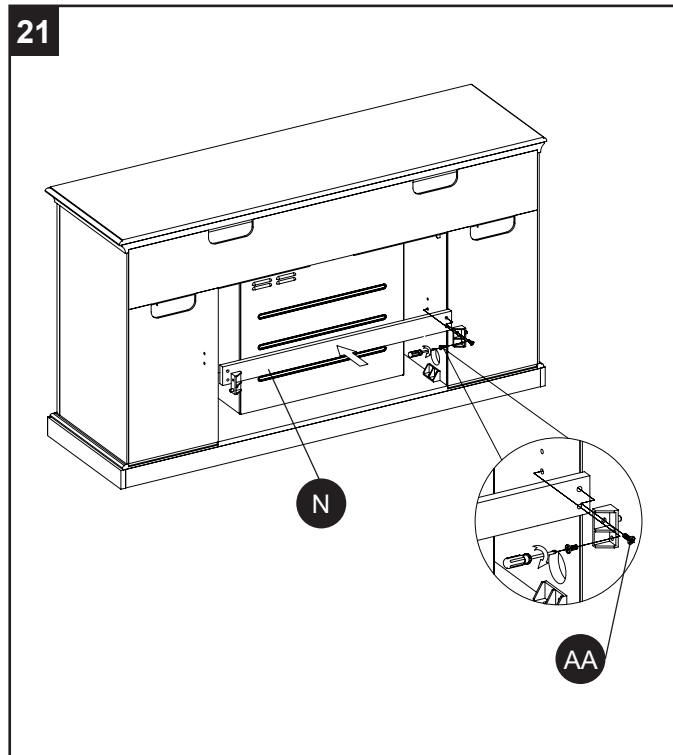


**WARNING:** Be sure to read all safety information prior to installing the insert (R). Insert (R) should be installed in the mantel as close to the final position as possible; two people are recommended for this step.

20. Lift insert (R) carefully into the back of the unit and center in the insert opening. **CAUTION:** Do not drag insert (R) across base (A) as it may scratch the unit.



21. Align insert support bar (N) with the holes on center right side panel (C) and center left side panel (B). Attach plastic blocks from 2-block connector pack (T) where shown to secure insert support bar (N). Secure with bolts (AA).



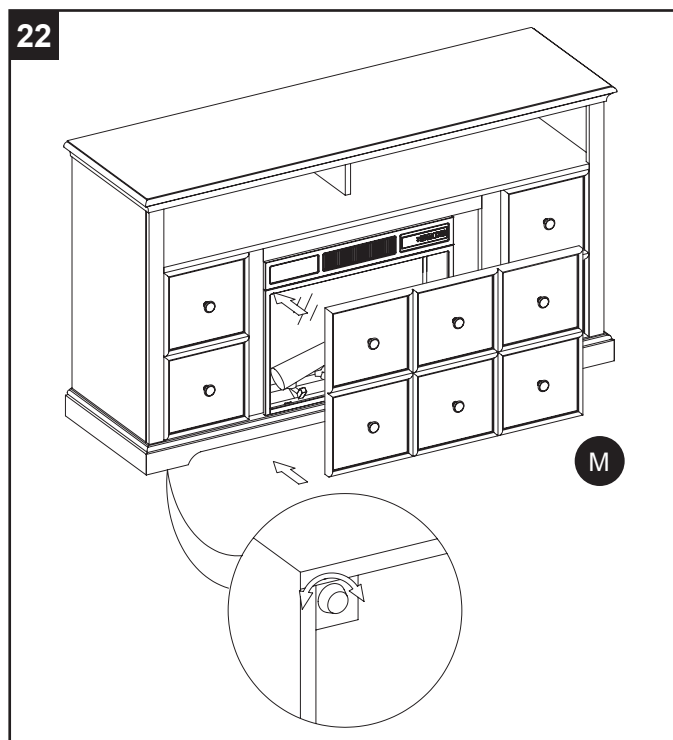
### Hardware Used

- AA Bolt  x 4

22. Assembly is now complete. With the help of another person, move the unit to its final location and use the preassembled levelers as needed to ensure the unit's stability.

If desired, you can cover fireplace insert (R) with insert panel (M). Simply push insert panel (M) over fireplace insert (R) to engage the preassembled magnets and secure in place.

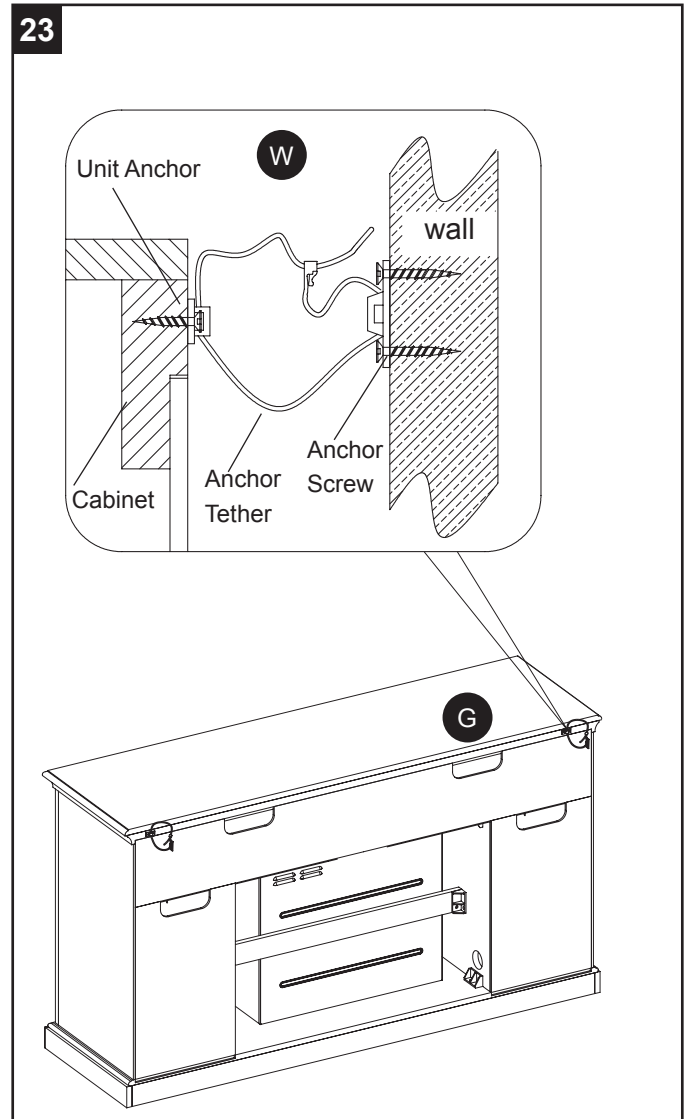
**CAUTION:** Make sure the power is off to the fireplace insert (R) and cool to the touch before covering it.



23. **WARNING:** Installing the tipping restraint hardware will help prevent accidents and/or damage to the unit. It is highly recommended you complete this step.

To secure the item to the wall, find and mark a stud closest to the edge of the left side of the mantel. Attach the wall anchor from the tipping restraint hardware pack (W) at the marked locations using 2 of the screws from the pack. Attach the unit anchor to the mantel top (G) using the remaining 2 screws so it aligns with the wall anchor. Then, detach the cable of the anchor tether provided in the tipping restraint hardware pack (W) from the connection and thread the cable through the anchors. Re-attach the cable to the connection, but do NOT tighten yet.

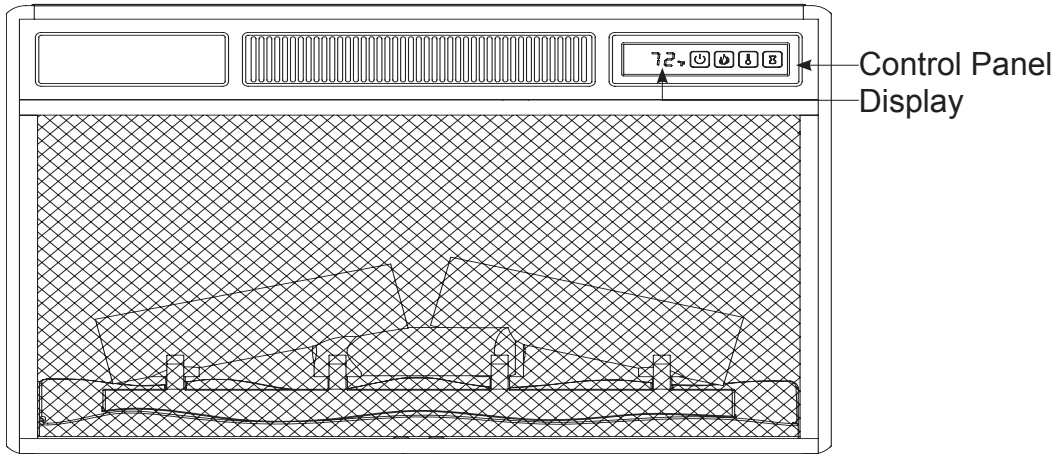
Repeat the above steps on the right side of the unit, then pull both anchor tethers to secure the item to the wall.



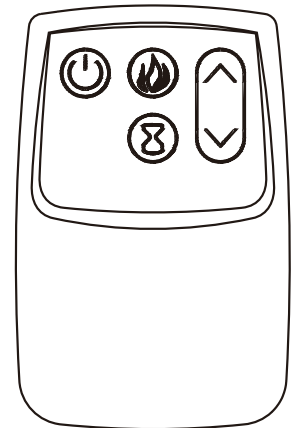


## OPERATING INSTRUCTIONS





The heater can be operated by either the remote control or the control panel.



Front View of Insert (R)



Remote (S)

FUNCTION	ICON	DESCRIPTION
POWER		<p>Use the POWER button to turn on or off the fireplace from the remote or control panel.</p> <p><b>Note:</b> Holding the POWER button on the control panel for 10 seconds will disable the heater function. To re-enable the heater, press and hold the POWER button for another 10 seconds.</p>
FLAME		<p>There are 6 brightness levels that can be selected.</p> <p>Settings F6 - F4 are for a amber-only colored only color flame effect. F6 is maximum brightness, F5 medium and F4 low.</p> <p>Settings F3 - F1 have a blue glow at the bottom of the flame effect. F3 is maximum brightness, F2 medium and F1 low.</p>
HEATER		<p>The fireplace contains a fan forced wire element heater. The thermostat setting range is 62°F - 82°F or continuously ON.</p> <p>The thermostat is adjustable by 2°F increments.</p> <p>The up and down buttons “^v” on the remote will increase/decrease temperature setting. The button on the control panel scrolls through specific temperature settings.</p> <p>To change between Fahrenheit and Celsius, press and hold the heater button on the control panel for 3 seconds.</p>
TIMER		<p>Pressing the timer button will cycle through the timer settings: 30 minutes, 1 Hour, 2H, 3H, 4H, 5H, 6H, 7H, 8H, 9H and OFF.</p>

## CARE AND MAINTENANCE

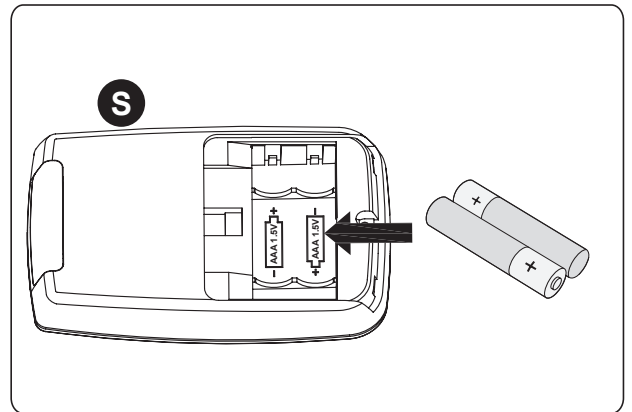
- Dust the fireplace regularly with a soft, non-lint producing cloth or household dusting product.
- Clean the fireplace with a gentle non-abrasive household cleaner. Make sure to dry the fireplace immediately with a soft cloth or towel.
- Tips for using touch-up pen (II): For scratches, stroke in direction of scratch. For worn areas, stroke in direction of wood grain. Rub excess cororant promptly with a soft cloth.
- The motors used on the fan and the flame generator assembly are pre-lubricated for extended bearing life and require no further lubrication. However, periodic cleaning/vacuuming of the fan/heater is recommended.
- Make sure the unit is turned OFF and unplugged whenever you are cleaning the fireplace.

### REPLACING THE BATTERIES:

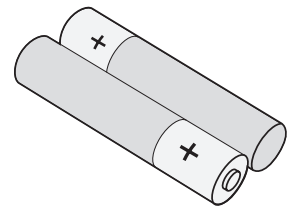
When the remote (S) stops operating or its range seems reduced, it is time to replace the batteries.

**Note:** Batteries should be removed if the product is to be left unused for a long time.

- Remove battery cover from the back of remote (S).
- Remove old batteries and replace with 2 AAA batteries, ensuring the polarities on the batteries match the inside of the battery compartment.
- Replace the battery cover.



**NOTE:**  
Always dispose of  
batteries at a suitable  
recycling point.



## TROUBLESHOOTING

PROBLEM	POSSIBLE CAUSE	CORRECTIVE ACTION
Display shows “ E 1 ”.	The thermostat sensor is broken or disconnected.	Unplug the fireplace, remove the back panel of the fireplace and check that the thermostat is plugged into the main circuit board. If this does not solve the problem, contact customer service for a replacement thermostat sensor.
Display shows “ E 2 ”.	The thermostat sensor is broken.	Contact customer service for a replacement thermostat sensor.
Display shows “ E 3 ”.	Manual Reset overheat protection has triggered.	Inspect the heater and check that the air inlets and outlets are not blocked as this may cause overheating. Unplug the heater for 30 minutes and allow it to cool down. Replug and operate, monitor the heater for signs of overheating. If the problem persists, discontinue use of the heater and contact customer service.
Display shows “ E 5 ”.	The heater air outlet is blocked.	Check that nothing is in front of the the heater air outlet by at least 3 feet.
Display shows “ E 7 ”.	Error in normal operation.	Check your heater cord and plug connections. Faulty wall outlet connections or loose plugs can cause the outlet or plug to overheat. Be sure the plug fits tight in the outlet. Heaters draw more current than small appliances; overheating of the outlet may occur even if it has not occurred with the use of other appliances. During use, check frequently to determine if your plug outlet or faceplate is HOT! If so, discontinue use of the heater and have a qualified electrician check and/or replace the faulty outlet(s).
Heater does not blow warm air.	Cool down cycle.	No action is required. Cool down will continue to run for several minutes before shutting down. Times will vary based on temperatures. During this time cool air will blow.
No power, logs do not glow.	No power to the unit.	Check that unit is plugged into a standard 120V outlet. Press power button several times; make sure power is set to ON position.
Logs glow, but no flame effect.	Flame effect turned off.	Press flame button to activate feature.
Heater does not blow warm air.	Thermostat setting is preventing heater from turning on.	Adjust the temperature settings to ensure the thermostat is set higher than the current room temperature.
Flame effect works but heater function does not and the embered flashes when the heater button is pressed.	The heater is disabled.	With the power on, press and hold the power button on the control panel for 10 seconds. Once re-enabled the embered lights will flash multiple times.
Remote Control is not working.	<ol style="list-style-type: none"> <li>1. No batteries.</li> <li>2. Poor signal.</li> <li>3. Too much distance.</li> </ol>	<ol style="list-style-type: none"> <li>1. Change the remote batteries.</li> <li>2. Operate remote at a slow measured pace. Press the buttons with an even motion and gentle pressure. Repeatedly pressing buttons in rapid succession may cause the transmitter to malfunction.</li> <li>3. Operate the remote at a distance less than 20 feet from the front of the appliance; point the remote at the control panel.</li> </ol>

## **1-YEAR LIMITED WARRANTY**

---

The manufacturer warrants this product to be free from manufacturing and material defects for a period of one year from date of purchase, subject to the following conditions and limitations.

1. Install and operate this item in accordance with the installation and operating instructions furnished with the product at all times. Any unauthorized repair, alteration, willful abuse, accident or misuse of the product shall nullify this warranty.
2. This warranty is non-transferable, and is made to the original owner, provided the purchase was made through an authorized supplier of the product.
3. The warranty is limited to the repair or replacement of part(s) found to be defective in material or workmanship, provided that such part(s) have been subjected to normal conditions of use and service, after said defect is confirmed by the manufacturer's inspection.
4. The manufacturer may, at its discretion, fully discharge all obligations with respect to this warranty by refunding the wholesale price of the defective part(s).
5. Any installation, labor, construction, transportation or other related costs/expenses arising from defective part(s), repair, replacement or otherwise of same, will not be covered by this warranty, nor shall the manufacturer assume responsibility for same.
6. The owner/user assumes all other risks, if any, including the risk of any direct, indirect or consequential loss or damage arising out of the use, or inability to use the product, except as provided by law.
7. All other warranties – expressed or implied – with respect to the product, its components and accessories, or any obligations/liabilities on the part of the manufacturer are hereby expressly excluded.
8. The manufacturer neither assumes, nor authorizes any third party to assume on its behalf, any other liabilities with respect to the sale of the product.
9. The warranties as outlined within this document do not apply to non accessories used in conjunction with the installation of this product.
10. This warranty gives you specific legal rights, and you may also have other rights which vary from state to state.

### **This warranty is void if:**

- a. The fireplace is subjected to prolonged periods of dampness or condensation.
- b. Any unauthorized alteration, willful abuse, accident, or misuse of the product.
- c. You do not have the original receipt of purchase.

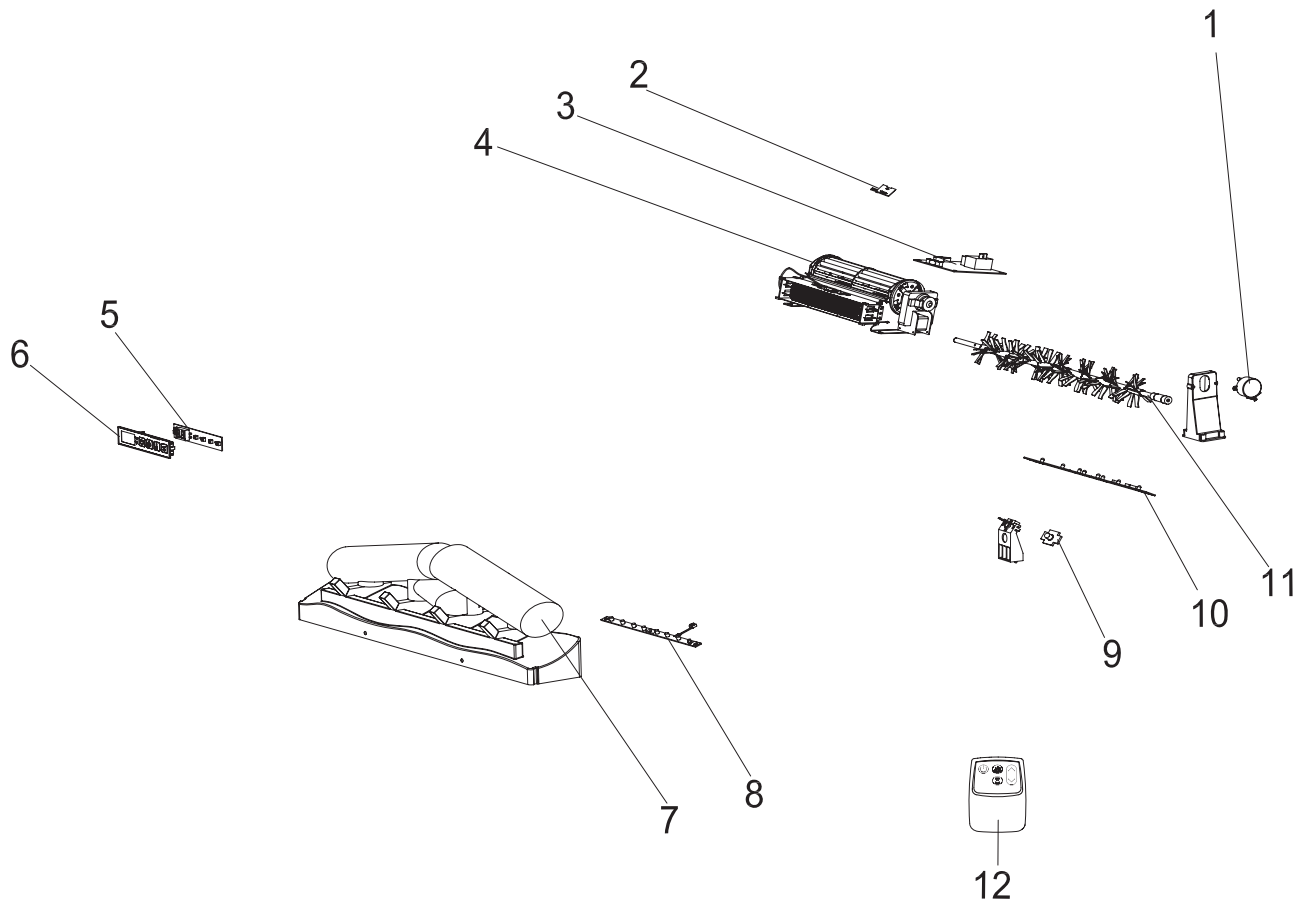
### **IF WARRANTY SERVICE IS NEEDED**

Contact the manufacturer by calling the customer service department at 1-877-888-8225, 8 a.m. - 8 p.m., EST, Monday - Friday. Make sure to have the warranty, sales receipt, location of purchase and the model serial number of the product.

## REPLACEMENT PARTS LIST

For replacement parts, call our customer service department at 1-877-888-8225, 8 a.m. - 8 p.m., EST, Monday - Friday.

PART	DESCRIPTION	PART NO.
1	Flame Generator Drive Motor	P10-6-Q
2	Thermostat Sensor	INS-NTC
3	Main Circuit Board	Y15-C70-P15
4	Heater/Blower Assembly	Y15-C72-P01
5	Control Panel Circuit Board	Y15-C70-P32
6	Control Panel Buttons	Y15-C70-P85
7	Emberbed with Log	Y15-S148-P02
8	Emberbed Circuit Board	Y15-C75-P44E
9	Blue Flame Circuit Board	Y15-C70-P40BL
10	Flame Circuit Board	Y15-C76-P40
11	Spinner	Y15-S148-P11
12	Remote Control	P115



Printed in China

Style Selections® is a registered trademark of LF, LLC. All rights reserved.