

Sistine Stone™

DOUBLE THRESHOLD - D-80S

Double Threshold Shower System Installation Guide for Liner Style & Accent Liner Style Showers

Congratulations on the purchase of your new shower system.

This guide will give you the instructions on the installation of your new shower.

Natural Travertine Stone Appearance

All of our stone products are custom made and hand-crafted to look and feel like authentic travertine. As you may know, travertine is a form of limestone that has been under pressure for thousands of years. The product of long-ago hot and cold springs and waterfalls, travertine is a beautifully banded and colored stone with a unique character. Among its most appealing characteristics are the interesting craters and depressions, created by streams of water that flowed through the stone. We have taken great care in reproducing the appearance of genuine travertine stone, giving you a beautiful and authentic shower.

Installation time may vary depending on your experience, complexity of shower, and “Pre Installation Preparation Work” which may include: plumbing relocation, drain location and bathroom demolition.

Prior to demolition, scheduling a contractor or building your shower, double check that you have all the parts from the factory. Some applications may require a licensed plumber or contractor. Do not use any product spec sheets to begin installation before receiving product. These spec sheets are for reference only. Use actual product measurements only.

The diagrams throughout this guide illustrate a 36” x 36” shower. Depending on the size of the shower purchased, actual parts may vary in size from the diagrams shown.

Our goal is to help you achieve a quick and successful shower installation.



See the clock in each section for estimated installation time.

Missing or damaged hardware and tiles should be reported within 24 hours of receiving this shipment - If you need assistance call 1.800.454.2284, 7:15am - 4:00pm, Monday thru Thursday, 7:15am - 2:00pm, Friday (PST)



G_00914-D-80S-2.23.16 Rev A

1

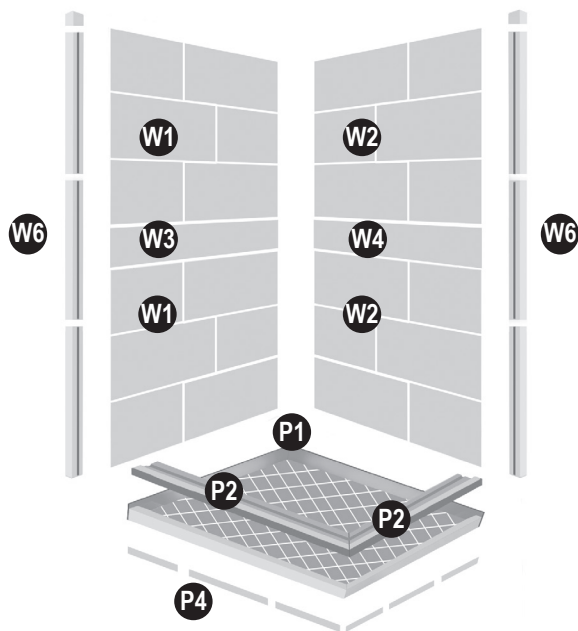
TOOLS AND SUPPLIES YOU WILL NEED TO INSTALL YOUR SHOWER

- | | | |
|---|---|--|
| <input type="checkbox"/> PENCIL & MARKER | <input type="checkbox"/> SPONGE | <input type="checkbox"/> 60 GRIT SANDPAPER |
| <input type="checkbox"/> HAMMER | <input type="checkbox"/> GROUT FLOAT & BUCKET | <input type="checkbox"/> CLEAN DROP CLOTH |
| <input type="checkbox"/> DRILL WITH 3/16" & 5/8" DRILL BITS | <input type="checkbox"/> 1/8" PLASTIC TILE SPACERS | <input type="checkbox"/> PLASTIC SHEETING |
| <input type="checkbox"/> LEVEL | <input type="checkbox"/> SHEET ROCK SCREWS | <input type="checkbox"/> 3" SCREWS |
| <input type="checkbox"/> CAULKING GUN | <input type="checkbox"/> WOOD SHIMS | <input type="checkbox"/> CIRCULAR SAW |
| <input type="checkbox"/> PHILLIPS HEAD SCREWDRIVER
or PHILLIPS DRILL BIT | <input type="checkbox"/> 1/2" CEMENT BOARDS | <input type="checkbox"/> BRACES TO SECURE WALL PANELS |
| <input type="checkbox"/> 4" HAND-HELD MAKITA GRINDER | <input type="checkbox"/> HOLE & 4" TILE BLADES
<i>(Diamond Tip Blades recommended)</i> | <input type="checkbox"/> SILICONE FOR CAULKING GUN
<i>(See silicone recommendations Page 4)</i> |
| <input type="checkbox"/> MEASURING TAPE | <input type="checkbox"/> GROUT <i>(See page 13)</i> | |

2

CHECK YOUR SHIPMENT AGAINST APPROPRIATE PACKING LIST

Make sure you have received all the items necessary for the installation. This will also familiarize you with all the parts and hardware you will need to install your shower. Package contents are dependent upon which package you ordered: Basic or Supreme.

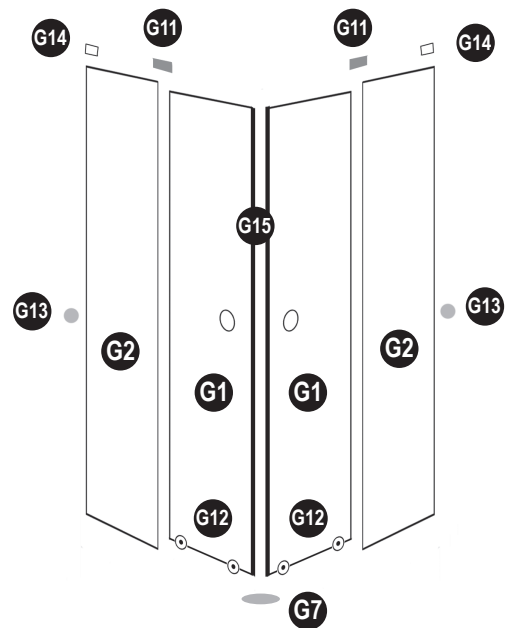


SISTINE STONE PAN

- P1** Metal Leak-Free Reinforced Pan
- P2** Left & Right Pan Rails
- P4** Floor Trim (2)

SISTINE STONE WALL PANELS

- W1** Left Wall Panels (2)
- W2** Right Wall Panels (2)
- W3** Left Solid Stone or Mosaic Liner (1)
- W4** Right Solid Stone or Mosaic Liner (1)
- W6** Side Thresholds (6) & Top Trim (2)



SLIDING GLASS DOORS

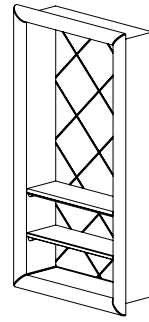
- G1** Glass Doors (2)
- G2** Fixed Glass Panels (2)
- G7** Matching Drain Assembly
- G11** Door Slide Brackets (2)
- G12** Shower Door Wheels
- G13** Door Bumpers (2)
- G14** Door Channel Bumpers (2)
(for thresholds over 36")
- G15** 45° Door Seals (2)

OPTIONAL ITEMS

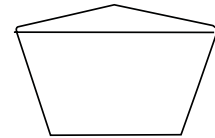
FAUCETS



SHAMPOO BOX



SHOWER BENCH



3

PRE-INSTALLATION TEAR DOWN



TIME REQUIRED
8-16 HRS

This shower system is designed to be installed on a bare floor. It is necessary for any existing shower to be completely removed. Tear out and remove all old material to expose the 2 x 4 wall studs. Clean up the shower area, removing all dust and old material from the area.

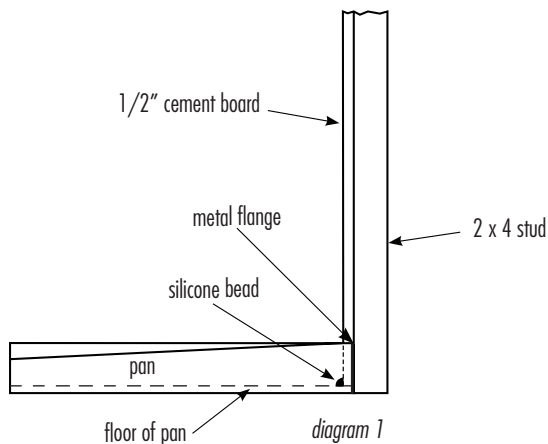
4

DRY-FITTING THE PAN

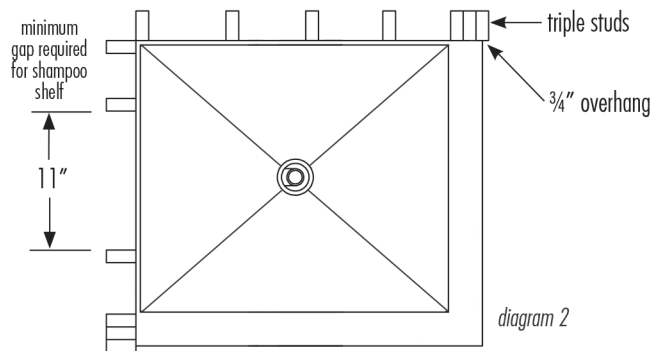


TIME REQUIRED
½ to 1 HR

It is easier to check alignment of studs and pan **P1** without the drain installed into the pan. Place the pan in the planned position. Check to see that the spacing between the metal pan flange and 2 x 4 studs are flush. Some shimming or sanding of the 2 x 4 studs may be required to flush the studs with the metal pan flange. When screwing in the 1/2" cement board the metal flange will pull fast to the studs, and will secure the metal pan in place. (diagram 1)



P1



3/4" overhang when using triple studs, no overhang when using double studs (double studs required, triple studs recommended for extra strength)

5

2 x 4 STUDS ALIGNMENT & POSITIONING



TIME REQUIRED
½ to 1 HR

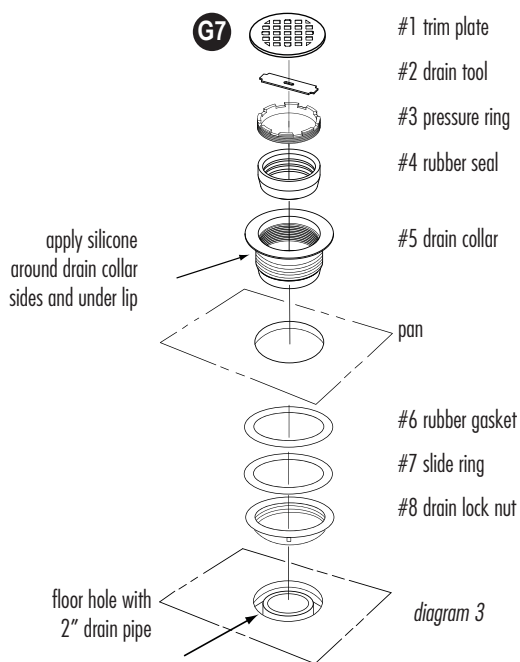
Using the pan **P1** and **W1** and **W2** wall panels, you will be able to check to make sure your 2 x 4 studs are in the needed position and supported adequately. You will see in *(diagram 2)* extra 2 x 4 studs are added to the door and glass side thresholds for extra strength. You may need to make adjustments for your faucet or optional shampoo shelf. When you place the bottom sections of the wall **W1** or **W2** into the shower pan **P1**, you can also calculate the needed width and height of areas to keep free of 2 x 4 studs. *(See installation instructions included with the faucet or shampoo shelf)*

6

INSTALLING DRAIN



TIME REQUIRED
½ to 1 HR



1. Locate the drain assembly **G7** to install into pan **P1**
2. Apply a generous bead of silicone around the shower pan drain hole and around the outside of the drain collar #5, insert the drain collar #5 into the drain hole.
3. Apply a generous bead of silicone around the drain collar #5 from the underside of the pan.
4. Install the rubber gasket #6 over the drain collar #5, to the underside of the pan, next install the slide ring #7.
5. Screw on the drain lock nut #8 and hand tighten. Turn drain lock nut #8 approximately 1/4 turn with the wrench to ensure a water-tight fit. Check for a good seal. **DO NOT OVERTIGHTEN.**
6. Wipe off excess silicone and allow silicone to dry. Follow the manufacturer's directions for application and drying time.

SEE SILICONE RECOMMENDATIONS PAGE 8

7

SETTING PAN



TIME REQUIRED
½ HR

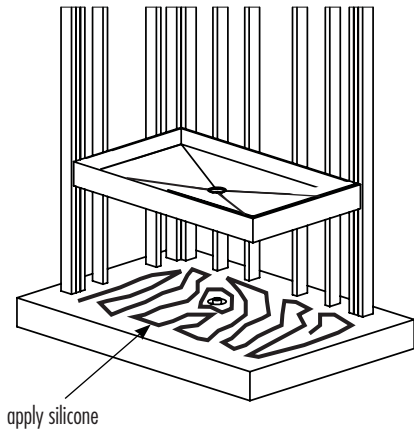


diagram 4

1. Now that the drain is installed into the pan dry fit the pan and drain for alignment, check to make sure the 2" drain pipe is in the center of the pan drain hole. (*diagram 2*) Use the drain collar #5 by itself; remove the rubber seal, nut and gaskets from the drain assembly. (*diagram 3, previous page*) Push the drain collar #5 into the drain hole between the pan and the 2" pipe. With the drain collar pushed flush to the pan surface, the 2" drain pipe should not extend past the inside threads of the drain collar #5.
2. Make sure the pan and drain fit level to the floor (the pan can be secured to the floor by nailing the pan flange to the studs, this can only be done after step 3 is completed)
3. Remove pan and apply adhesive to floor
4. Carefully lift the shower pan and set into place. Make sure the ABS pipe is still centered.
5. Push and secure the rubber seal #4 onto the 2" ABS pipe.
6. Thread on the brass pressure ring #3 around the drain pipe with the provided tool #2. Remove the tool after the brass pressure ring is installed.
7. Test and snap the decorative diamond trim plate #1 into position. (Remove the decorative trim plate and store in secure area until installation is complete, drain will be grouted when shower is grouted).
8. After installing pan, cover with cardboard or drop cloth to protect pan from scuffs.

8

CEMENT BOARD INSTALLATION



TIME REQUIRED
1-2 HRS

We recommend the use of 1/2" thick cement board as your shower backer. This is a common backer for stone and tile. Using this backer will help comply with almost all city codes. A cement-based product like Wonderboard or Hardibacker may also be used if it meets your local codes. Some codes require a vapor barrier to be installed as well. We recommend a water/vapor barrier of 6 mil. plastic be installed before installing the cement board. To do this, staple plastic so that it hangs 1" above the floor. Roofing nails may be used to attach the cement board instead of screws, this prevents the plastic from wrapping around the screws.

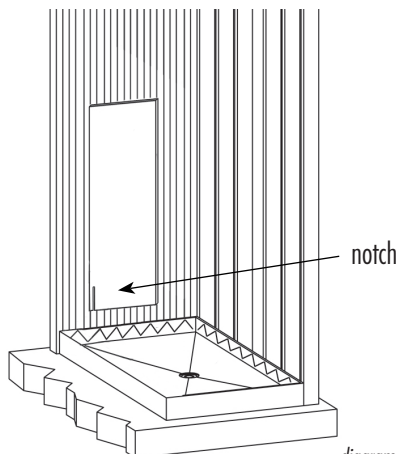


diagram 5

1. **IMPORTANT:** Use your cement board as an indicator of squareness. The cement board comes in square sheets. If you see gaps or areas where the cement board is not fitting flush, fix the problem by removing the cement board and shimming the board until it's square and flush. If the seams of the cement board are not flush and square, your wall panels will not be square and flush.
2. Cut a notch in cement board to fit around threshold. Sanding or shimming the 2 x 4's at the top rim of the pan may be required to flush the cement board. (*diagram 5*)
2. Place a bead of silicone on the front **INSIDE** face of the shower pan flange. The bead should be in a zig-zag pattern.
3. Place the cement board against the studs and rest it inside the shower pan against the back flange. Attach the cement board to the studs with screws or nails. Do not screw or nail into the shower pan flange.
4. Continue installing the remaining cement boards.



For best cutting results for wall panels and cement board, use a Makita grinder with a 4" tile blade.

9

PAN & WALL THRESHOLD TRIM



TIME REQUIRED
1/2 - 1 HR

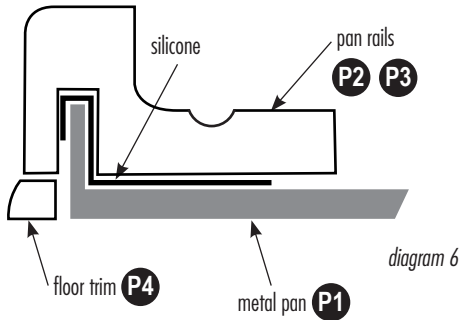


diagram 6

A - Pan Threshold

1. Locate the left pan rail **P2** and the right pan rail **P3** (diagram 6)
2. Dry fit **P2** and **P3** onto the front of the metal pan **P1**
3. Remove and place silicone on bottom of rails and in bottom channels, re-install.
4. The floor trim pieces **P4** are usually installed at the end of the installation. Depending on the thickness of your bathroom floor, will determine how you place the floor trim. The floor trim can be placed 3/4" high or 1" high depending on your floor thickness, the **P4** pieces can be trimmed if needed. (diagram 7)

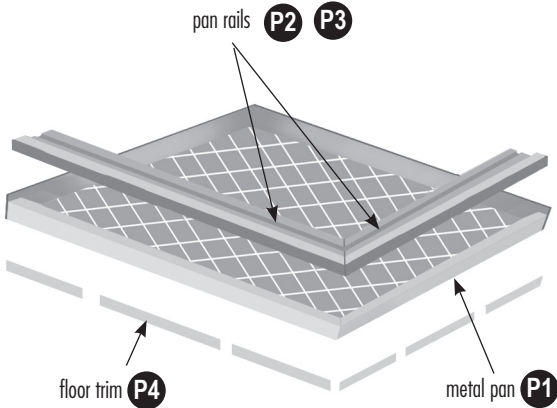
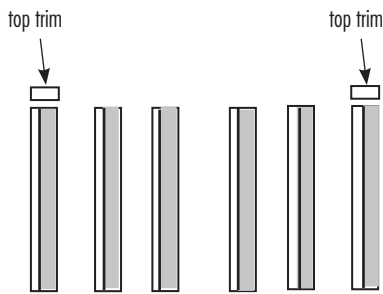


diagram 7

B - Wall Threshold Trim

1. Locate **W6** panel channel side thresholds & top trim. (diagram 8)
2. To help with the side threshold installation, use a level and draw a plumb line from the inside of the pan threshold up to the top of the shower. Do this on both sides. This line will be where the side rails and the wall tiles meet, this will give you a visual reference point when dry-fitting your wall tiles.
3. Apply silicone, using a circle pattern, to the cement board along the plumb line, approximately 4 inches wide, to the edge of the shower pan. (diagram 9)
4. Place the first side threshold into position, making sure to align the side rail with the vertical plumb line previously drawn on the cement board. Apply pressure to the side threshold to bond it to the cement board. The side threshold will flush with the inside of the shower pan threshold and have a small gap where the pan threshold slopes. (diagram 10)
5. Place the remaining side thresholds into position, 3 to each side. Make sure to use a level and the plumb line previously drawn on the cement board to align the side thresholds vertically.



W6
side thresholds (6)
(includes top trim and plugs)

diagram 8

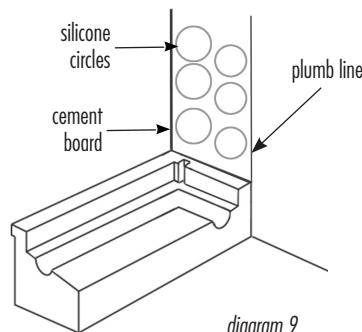


diagram 9

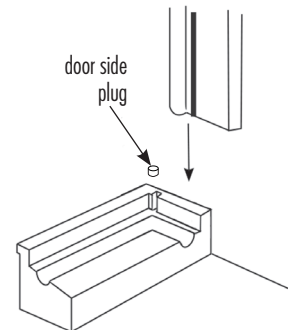


diagram 10

10

WALL PANEL/LINER INSTALLATION



TIME REQUIRED
3-4 HR

A - Inspecting Wall Panels/Liners

Inspecting panels at this point will give you confidence that the wall panels are straight and square from the factory. When installing wall panels, you may need to make adjustments to the panels to accommodate for unevenness of your existing walls. During the inspection process and/or dry-fitting process, if you have any concerns about the alignment or fit of the wall panels, please call 1-800-454-2284 for customer service, and we will gladly assist you with your installation.

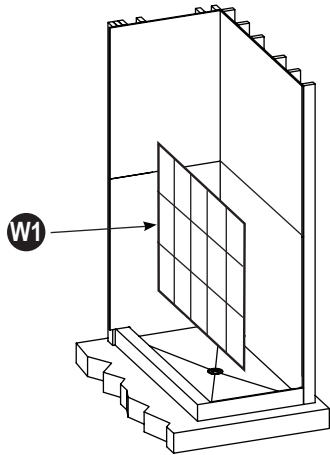


diagram 11

1. Find a large empty area to layout and inspect all panels.
2. Align all panels and liners to check for straightness. Make sure grout lines are straight and square to each other.
3. Sistine Stone wall panels are made to be flexible. (Warning - Store on a flat area.) If wall panels have been stored improperly or seemingly have become extensively bowed, they can be easily flattened before installation (See troubleshooting section on last page for details).

B - Test Alignment by Dry-fitting Wall Panels/Liners

1. Place your first bottom panel **W1** into position. (diagram 11). Rest **W1** panel onto the pan floor; use spacers between the floor and the panel to make the top of the panel level.
2. Place the second bottom panel **W2** into position, push the two panels together. Make sure the grout lines are aligned, use spacers to make the top of the panel level. Inspect the spacing between the wall panels and the side threshold plumb line.
3. Depending on your cement board alignment, some sanding of the wall panel edges may be required for a tight fit.
4. Place liners **W4** in position check for level and length.
5. Place RT liner **W4** into position. (diagram 12)
6. Place LT liner **W4** into position. Depending on your faucet selection, you may need to mark and cut out holes for your faucet to fit through before you can place the panel into position. Remember "measure twice, cut once", you can cut our walls with most cutting tools. (See installation video at www.americanbathfactory.com). Now you can check for level, grout line alignment and spacing between walls and plumb line.

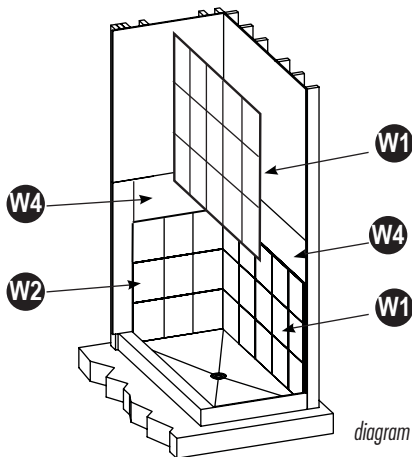


diagram 12

Preliminary Information for Wall Installation

SILICONE RECOMMENDATIONS

We recommend using **GE Silicone II Window and Door 100% Silicone** throughout this installation as well as for your wall panel silicone. During our tests we have found that using this silicone gives the best results. Use this silicone whenever the installation guide refers to the use of "silicone". Depending on the size and threshold type of your shower, you will need from 10 - 20, 9.8 oz. tubes of silicone to complete your shower installation.

DO NOT USE any Mastic, Mortar based Thin Sets or "Liquid Nails". These will not cure properly between the two non-porous surfaces of the shower. The use of a Water Barrier will also adversely affect the bond between the wall panels and the cement board.

Warranty coverage only extends to the brand and type of silicone we recommend and applied per the manufacturer's directions and recommendations.

Recommendations for applying GE Silicone II Window and Door 100% Silicone to Wall Panels

1. Apply a 1/4" thick continuous bead of silicone **along the perimeter of the wall panel**, 1/2" in from the edge.
2. Use a circle pattern to cover the rest of the backside of the wall panels, leaving 3"- 4" between each 1/4" bead. (*diagram 13*)
3. Also apply silicone to the cement board. Apply in the same manner as steps 1 & 2.

It is very important to ensure complete coverage of silicone to achieve the best bond. The steps listed above are only recommendations and are meant to supplement the specific manufacturer's directions. You may need to brace the wall panels in place while the silicone dries. Refer to the manufacturer's recommendations for coverage of the silicone to determine the proper amount you will need for the project based on your shower size.

Depending on the size and threshold type of your shower, you will need from 10 - 20, 9.8 oz. tubes of silicone to complete your shower installation.

Tips for bracing Wall Panels

If you use the recommended silicone, and apply it correctly, the wall panels will stick to the walls without any bracing required. If the studs or cement board surfaces are not perfectly even or square, the edges of the wall panels may not stay flush. If this happens, we recommend using a brace to hold the wall panels in place until the silicone dries. Your bathroom layout and shower style will determine the method you use to brace the wall panels.

1. Always protect the wall panel tiles and shower pan floor from damage. Make sure the braces will not scratch the wall tiles. Use a piece of plywood or a 2 x 4 to distribute the force across the largest surface area.
2. Brace the wall panels using a horizontal brace from one wall to the opposite wall. (*diagram 14*) Measure and cut a 2 x 4 or use an expandable curtain rod or telescoping painter's pole. Cut the 2 x 4 larger, so it has to be pushed into position or use shims to apply pressure on the wall panels.
3. Brace the wall panel from the shower pan threshold to the wall panel. Measure and cut a 2 x 4 to fit between the shower pan threshold and the wall panel. Apply weight downward on the wall panel side or place a 2 x 4 vertically between the ceiling and the top of the brace. Push down on the angle brace and Measure and cut a 2 x 4 screw it to the vertical 2 x 4 that is pushing on the ceiling. (*diagram 15*)
4. Leave the braces in place until the silicone has completely dried. Refer to silicone manufacturer recommendations for drying time.

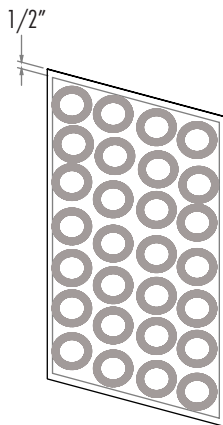


diagram 13

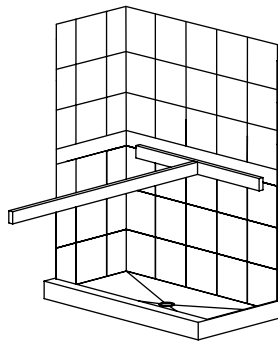


diagram 14

(right side panels have been removed from diagram to show braces)

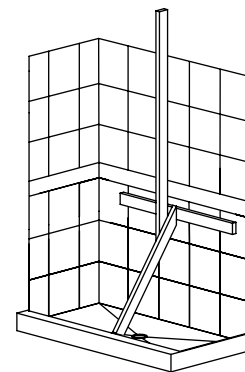


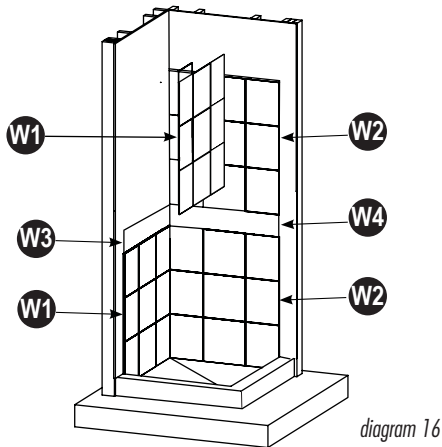
diagram 15

10

WALL PANEL/LINER INSTALLATION (continued)



TIME REQUIRED
3-4 HR



C - Installing Panels

8. Sand the backside surface of the wall panels with 60 grit sandpaper. This will increase the bond to the silicone. Remove all dust and dirt with a clean dry cloth.
9. Start with panel **W2**, apply a generous amount of silicone to the cement board and to the back side of the wall panel. Refer to "Silicone Recommendations" on previous page for applying silicone. Also refer to the manufacturer's recommendations for application and drying time.

✓ Braces may be required to keep walls flush

10. Press the wall firmly into position. Be sure to use spacers between the bottom panel and the shower pan to ensure panel is level. (diagram 16)
11. Install the remaining panels in the following order: **W2 W4 W2 W1 W3 W1**
Match the space between the panels with the rest of the grout lines on the panel. Use spacers if necessary to make the walls square and straight.

11

OPTIONAL SHAMPOO SHELF INSTALLATION



TIME REQUIRED
1/2 - 1 HR

1. The Shampoo Shelf was designed to match your tile size. (2) 12" x 12" tiles, the cut-out hole size is 10 x 22".
 2. There is a 1" lip or frame around the Shampoo Shelf, this will be the water sealed area for the Shampoo Shelf.
 3. The best way to cut the hole is with a small 5" round diamond blade, and with a jigsaw to cut the corners.
 4. On the 2 tiles the Shampoo Shelf will be replacing, mark 1" from the outside of the grout line, the cut-out area will be 10" x 22". Cut out the hole for the Shelf. The smaller the hole the better.
 5. Dry-fit the Shampoo Shelf for alignment of grout lines.
 6. Silicone in-place with a generous bead around the back of the lip, wipe off excess silicone with tissue.
- See detailed instructions enclosed with Shampoo Shelf*

11

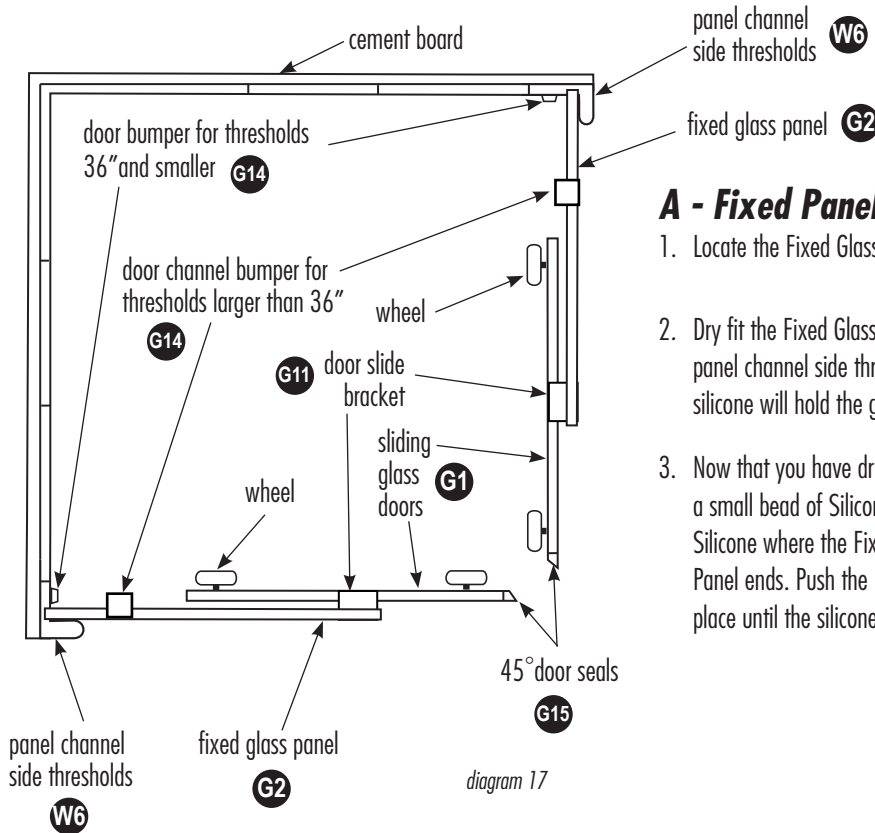
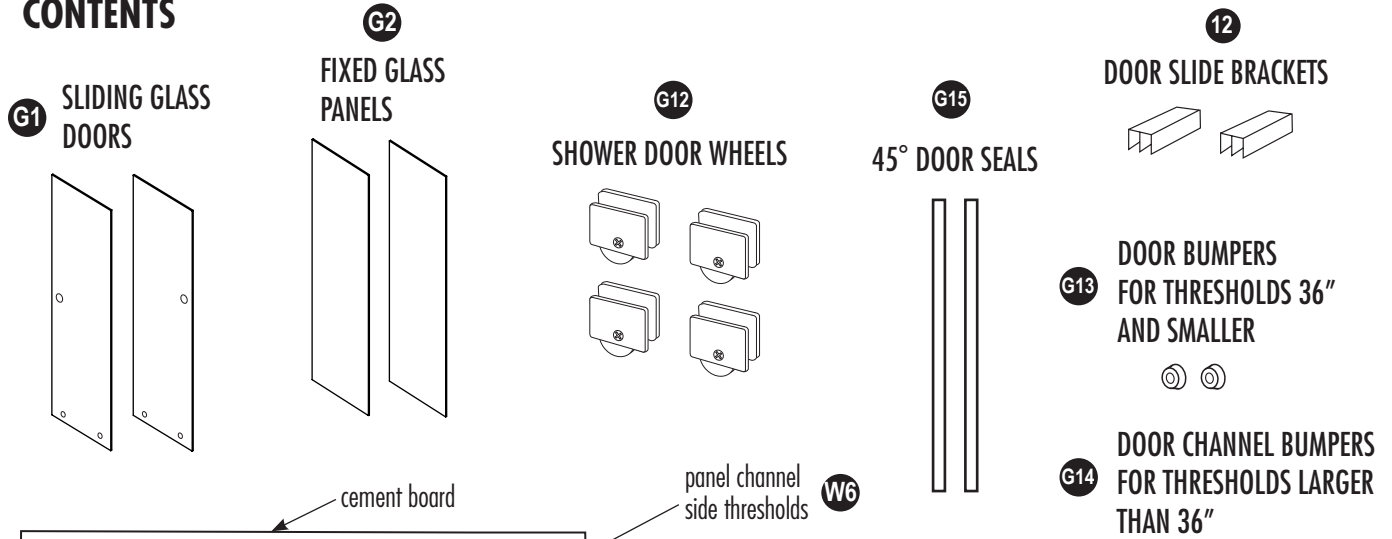
SLIDING GLASS DOOR INSTALLATION



TIME REQUIRED
1/2 - 1 HR

Our glass is tempered to make for a very strong door, the tempering gives maximum strength from impact on the surface, unfortunately this make the glass very vulnerable to breakage from impacts to the bottom and top edges of the glass panel. Do not rest the top or bottom of glass panels on hard floor or objects, always keep corner pads on glass while handling. Place foam or a soft material under the glass panel when unpacking and setting aside

CONTENTS



A - Fixed Panel Installation

1. Locate the Fixed Glass Panels **G2**, Door Slide Brackets **G11**, and Clear Silicone.
2. Dry fit the Fixed Glass Panels **G2** in place. Place the fixed glass panes into the panel channel side thresholds **W6**, there are no channels for the pan top rails, silicone will hold the glass panels to the pan top rails.
3. Now that you have dry-fitted your panels, remove panels and silicone in place. Place a small bead of Silicone in the channels of the wall thresholds and pan top rails. Silicone where the Fixed Glass Panels will rest, don't silicone past where the Fixed Panel ends. Push the Fixed Glass Panels into their resting position and clamp in place until the silicone is dry. Wipe off any excess silicone with tissue paper.

✓ Be careful not to rest the edges of the door on hard surfaces. Tempered glass is very strong and impact resistant but its weakest point is impact on the edges.

C - Sliding Glass Door Installation

1. Locate the Wheel Set containing 4 wheel assemblies. **G7**
2. To install the wheel assembly on the sliding glass door, unscrew the bolt from the inside bracket. Place the outside bracket on the outside of the door, and place the inside bracket and wheel into the cutout section of the shower door (*diagram 18*) Push the bolt through the inside bracket until it screws into the outside bracket. Repeat for the remaining wheels.
3. After 30 minutes to an hour the silicon on the fixed glass panel should be secure enough to finish the door assembly. (do not use excessive force on the door until the silicone is fully dried). Have the top door slide bracket **G11** handy and ready to install. Carefully place the Door into position, with the wheels resting in to the pan threshold channels facing into the shower.

4. To secure the sliding door to the top slide bracket, (*diagram 19*) Take the clear rubber insert of top bracket and put a pea drop of silicon inside of channel then place on the top end of the Fixed Glass Panel. Next lower the bracket over the clear rubber insert at the same time making sure the glass is going into the guide channel, push down leaving a 1/8" gap between top of the Sliding Glass Door and the slide. (pushing the slide bracket down to far will create to much friction for the door to move easily).
5. To install the door wall bumpers for thresholds 36" and smaller, place a drop of silicon onto the bumpers and position on the left and right wall thresholds, in the center of where the door will stop.

To install the door channel bumpers for thresholds larger than 36" attach bumper to the top of the fixed glass panel when door is fully open.

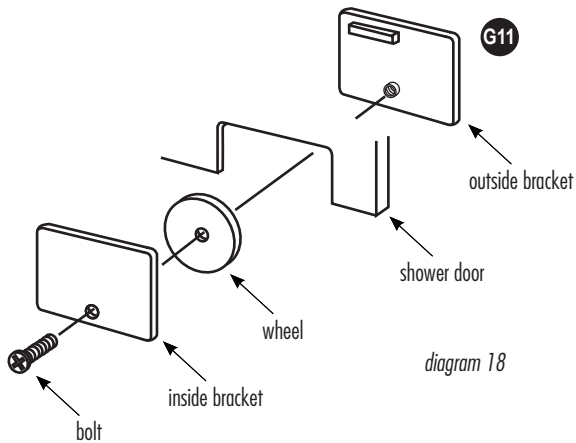


diagram 18

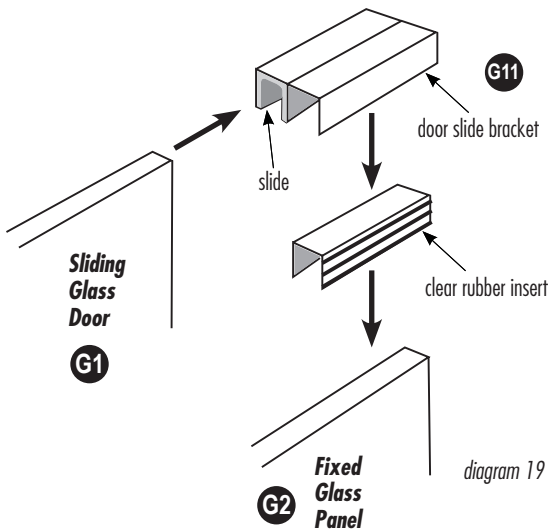


diagram 19

13

GROUT

Your American Bath Factory shower has a non-porous tile surface, which makes it easy to clean. Grout used must contain an ACRYLIC ADDITIVE to ensure proper bonding to the tiles. We suggest you add grout to every grout line and seam in the shower.

1. Recommended grout: Custom Building Products, Polyblend #122 Linen, Non-Sanded Ceramic Tile Caulk, Model # PC12210N and Snow White #11 Model # PC1110S. Available at your local hardware or tile store.
2. Follow the grout directions for specific application instructions, a water-based non-sanded grout is recommended.
3. If you desire a powdered grout, use an acrylic additive to ensure bonding.

Note: Grout is not covered by ABF Warranty.

CARE & MAINTENANCE OF YOUR SHOWER SYSTEM

DO NOT CLEAN SISTINE STONE WITH PAINT THINNER, ACETONE, LACQUER THINNER, M.E.K., SCRUBBING BUBBLES or other chemicals that attack the structural integrity of Resin Based Stone. Use of these chemicals will destroy the surface of the stone and void your warranty. Soapy water, ammonia based cleaners & Comet will remove most dirt and residue from all types of finishes. For stubborn stains you may use a non-abrasive Scotchbrite pad. "Lightly" scrub the stained area in a circular motion to avoid discoloration. The stone is naturally waterproof and will not absorb spills or soil, simply wipe away with a damp sponge. Periodic cleaning with a sponge and warm, soapy water will remove any build up of dust or grime.

SHOWER SYSTEM TROUBLESHOOTING

Correcting Bowed Wall Panels Sistine Stone Wall Panels are made to be flexible and may have a slight bow. This condition is normal and the panels will flatten when properly installed. If the panels have been stored improperly or have become excessively bowed, follow instructions below. Using a heat gun or propane torch, heat the backside of the panel in the most bowed area. Hold the torch a few inches away and move the torch back and forth over the area. After the panel becomes malleable, lay panel on a flat surface and apply weight until cool and flat. (wall thresholds work well, refer to Installation Guide Packing List).

Cracked Tile As with any tile project, a tile can become damaged. Simply cut out the damaged tile, silicone a replacement tile in place, and grout.

Cracked Wall Panel Seam If your wall panel develops a crack in a grout line, simply grout over the cracked seam when it is installed. The grout will correct the problem, you will not be able to tell the crack was ever there.

Scratches & Blemishes Can be removed by wet-sanding the tile surface. Make sure tile surface and sandpaper are wet, and sand tiles until scratches and blemishes are removed.



13405 Estelle Street, Corona, California 92879 Phone 800.454.2284 Fax 951.734.1480
Visit us at www.americanbathfactory.com