



by/par **MAAX**

INSTALLATION INSTRUCTIONS GUÍA DE INSTALACIÓN

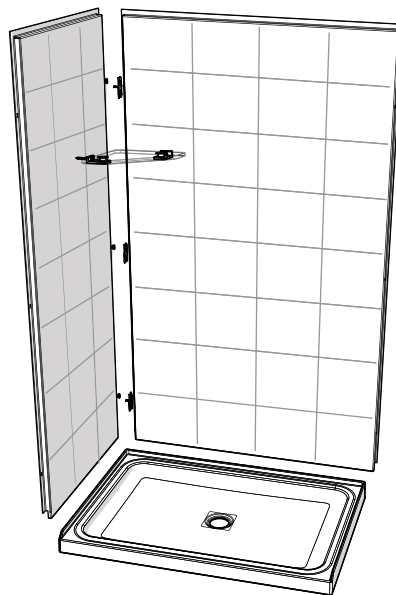
CORNER SHOWER INSTALLATION (2 WALLS) INSTALACIÓN DE DUCHA EN ESQUINA (2 MUROS)


View Installation Video - Scan QR code with a mobile device




Ver video de instalación - Escanear código QR con un dispositivo móvil.





**HARDWARE INCLUDED
IN BOXES**

**HARDWARE INCLUIDO EN
LAS CAJAS**

**OPEN ALL BOXES
BEFORE YOU START**

**ABRIR TODAS LAS CAJAS
ANTES DE EMPEZAR**



A two person installation is required.

**Se recomienda realizar la
instalación entre dos personas**

Read all instructions carefully before proceeding.
SAVE THIS GUIDE FOR FUTURE REFERENCE.

**Leer detenidamente todas las instrucciones antes de
comenzar la instalación**
CONSERVAR ESTE MANUAL COMO REFERENCIA.

IMPORTANT • Record the serial numbers
IMPORTANTE • Registre el número de serie

Serial numbers • Números de serie

For installation steps in ENGLISH go to page 6

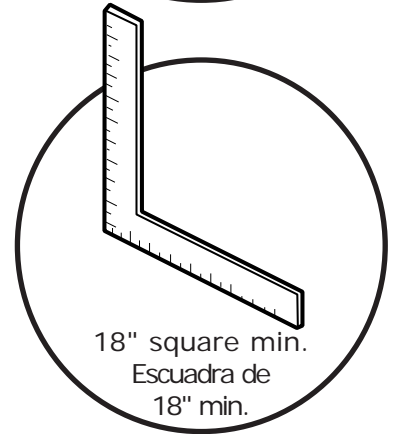
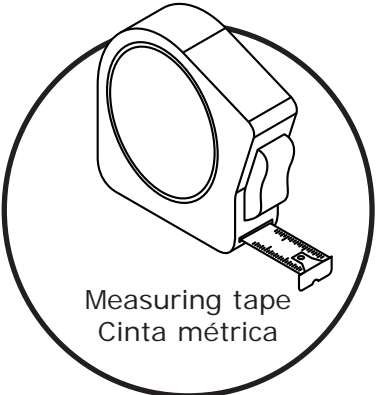
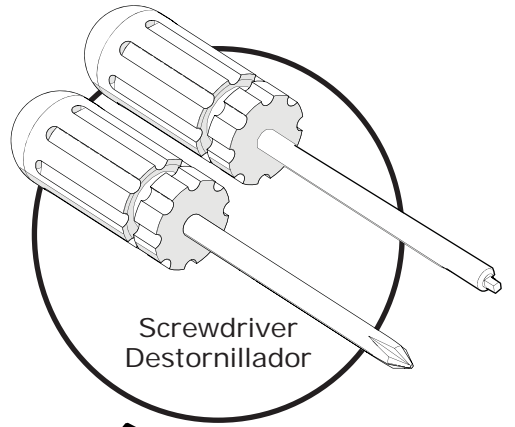
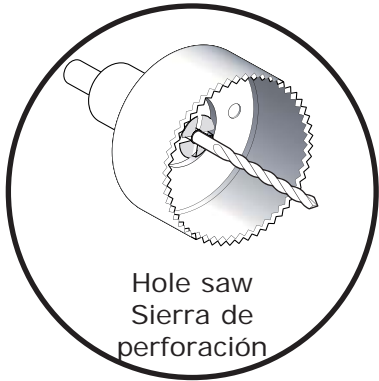
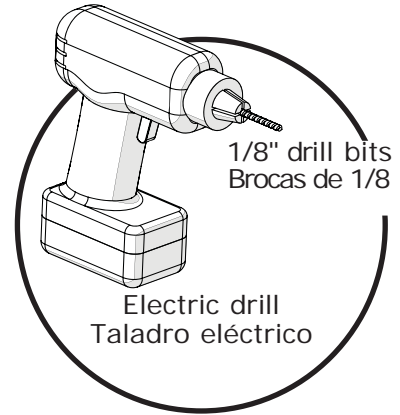
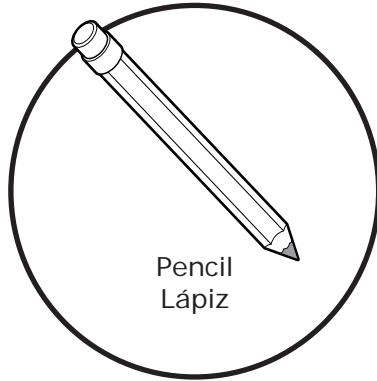
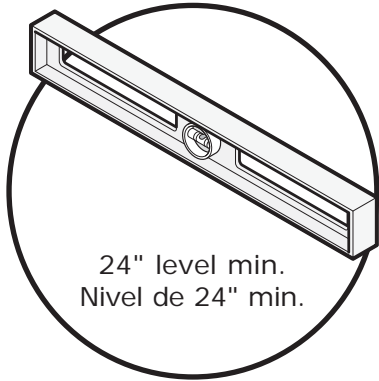
Table of contents:	Page
Tools and supplies.....	3
Parts and components.....	4
1. Building the structure.....	6
2. Installing the base.....	7
2. Installing the base (Olympia).....	8
2. Installing the base (B3).....	9
3. Installing Ulok system on the walls.....	10
4. Temporary installation of the back wall.....	11
5. Temporary installation of the side wall.....	12
6. Final installation of back wall.....	14
7. Final installation of side wall.....	15
8. Marking and drilling the glass shelf holes.....	16
9. Silicone.....	16
10. Glass shelf installation.....	17
11. Wall finish.....	19
12. Warranty.....	36

Para las etapas en ESPAÑOL ir a la pagina 20

Tabla de contenido:	Página
Herramientas y materiales.....	3
Piezas y componentes.....	4
1. Construcción de la estructura.....	20
2. Instalación de la base.....	21
2. Instalación de la base (Olympia).....	22
2. Instalación de la base (B3).....	23
3. Instalación del sistema Ulok sobre los muros.....	24
4. Instalación temporal del muro posterior.....	25
5. Instalación temporal del muro lateral.....	26
6. Instalación final del muro posterior.....	28
7. Instalación final del muro lateral.....	29
8. Marcado y la perforación de agujeros para la repisa.....	30
9. Silicona.....	30
10. Instalación de la repisa.....	31
11. Acabado del muro.....	33
12. Garantía.....	36

TOOLS | HERRAMIENTAS

REQUIRED | REQUERIDAS



SUPPLIES | SUMINISTROS

SOLD SEPARATELY | VENDIDOS POR SEPARADO

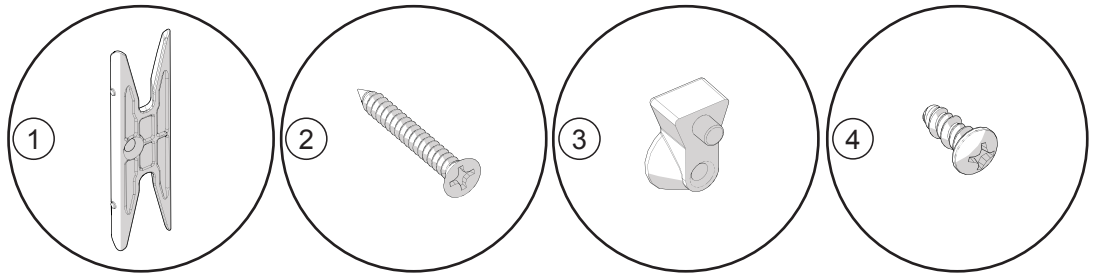


PARTS | PARTES

Inside the sidewall box
En el interior de la caja del muro lateral



PARTS INCLUDED IN PARTS PACK | PIEZAS INCLUIDAS EN PAQUETE DE PIEZAS

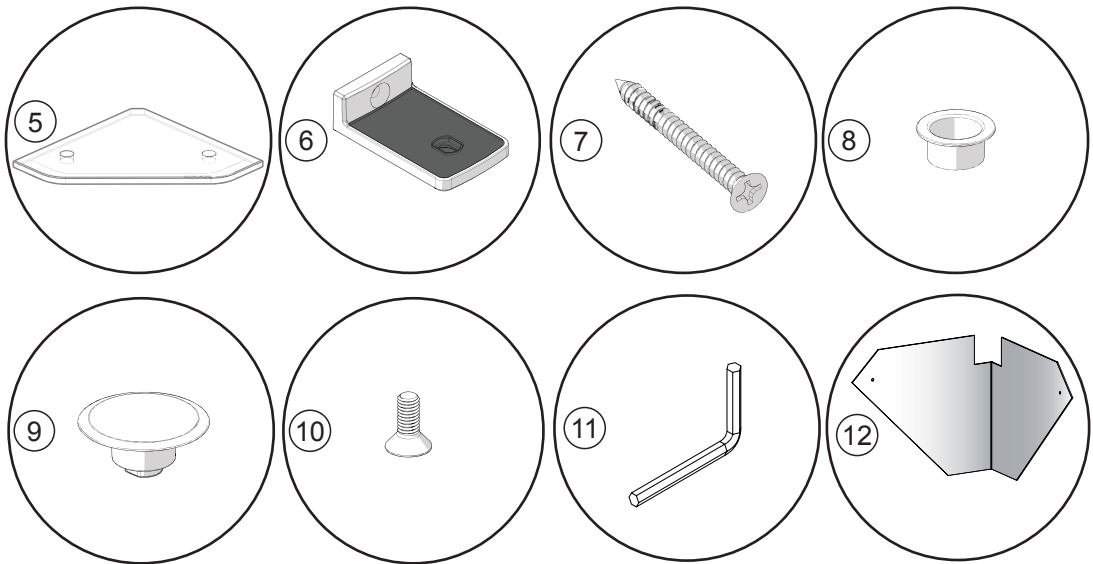


#	Part	Pieza	Qty/cant.	Code/Código
1	X fastener	Sujetador en forma de X	4	10060303
2	#8 x 1 1/4" Screw (for X fastener)	Tornillos #8 x 1 1/4" (Para sujetador en X)	4	
3	Retraction pin	Pasador de retracción	4	
4	#8 x 3/8" Screw (for retraction pin)	Tornillos #8 x 3/8" (para pasador de retracción)	4	

Inside the backwall box
En el interior de la caja del muro posterior



PARTS INCLUDED IN SHELF PACK | PIEZAS INCLUIDAS EN LA CAJA DE LA REPISA

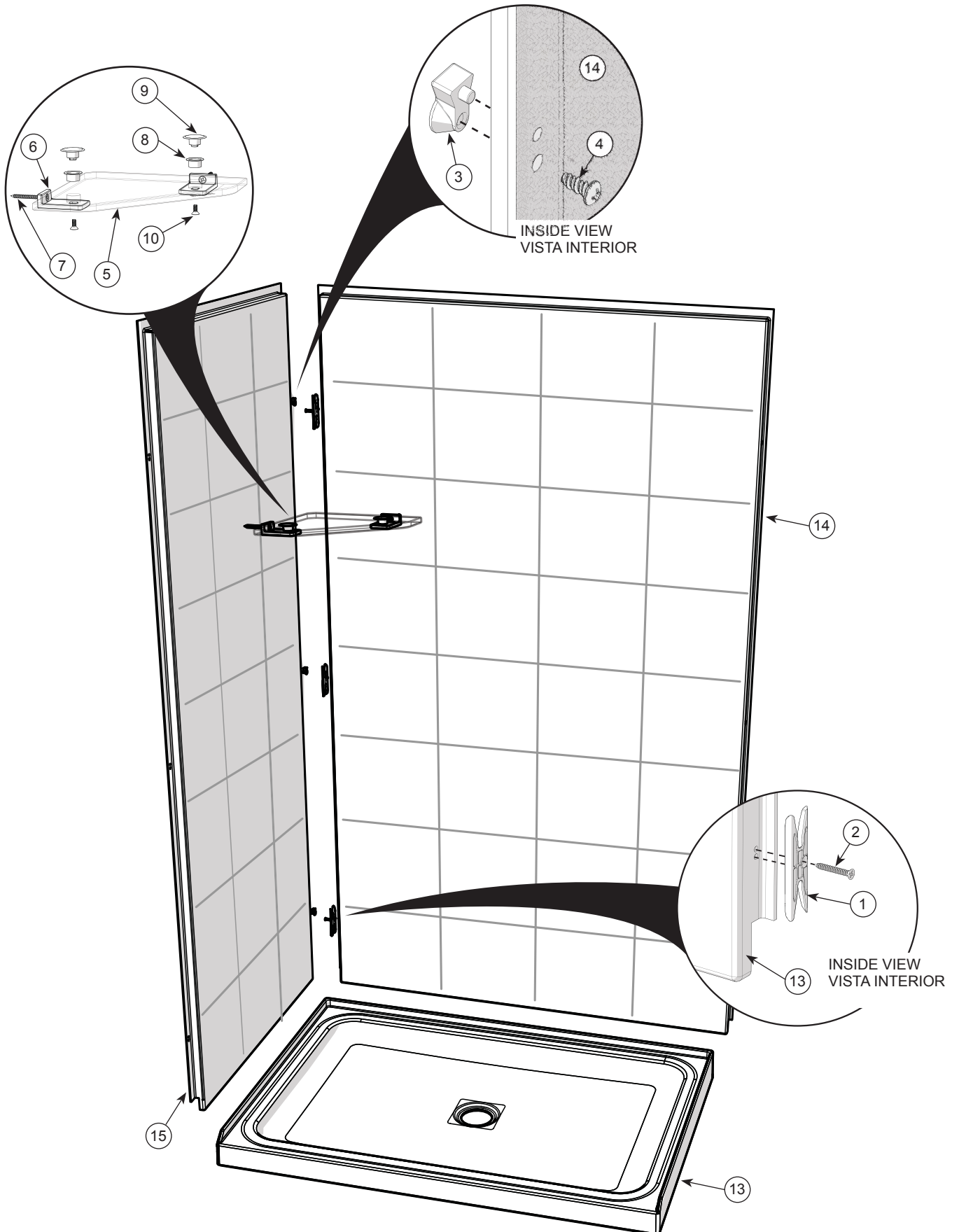


#	Part	Pieza	Qty/Cant.	Code/Código
5	Glass shelf	Repisa	1	10060011
6	Bracket	Soporte de repisa	2	
7	#10 x 2" screws	Tornillos #10 x 1 1/2" (repisa)	2	
8	Plastic washer	Adandela en plástico para repisa	2	
9	Support cap	Tapa de la fijación de repisa	2	
10	#10 x 1/2" screws	Tornillos #10 x 1/2" (para repisa)	2	
11	Allen key	Llave allen	1	
12	Template	Plantilla de perforación	1	

COMPONENTS | COMPONENTES

#	Part	Pieza	Qty/Cant
13	Base	Base	1
14	Back wall	Muro posterior	1
15	Side Wall	Muro lateral	1

OVERVIEW | VISTA GENERAL



For a worry free installation follow all instructions and check them off as you go.



STEP 1 Building the structure

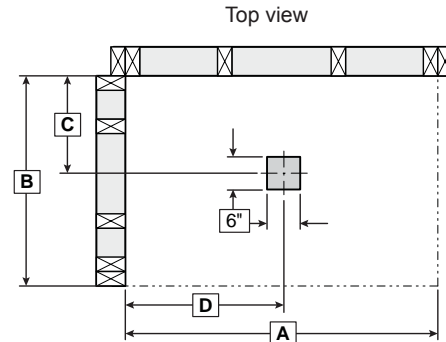
Before starting make sure to have all parts and components refer to page 4.

Build a structure based on the dimensions in the chart below.

IF STRUCTURE IS ALREADY BUILT CHECK THAT IT RESPECTS THE DIMENSIONS BELOW

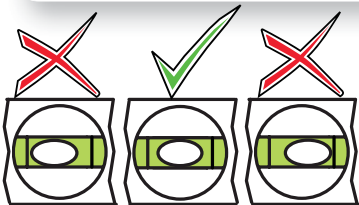
COMPATIBLE BASES	No.	A	B	C	D
Olympia square 4832	106011	Between 48"- 48 1/4"	33 1/2"	16"	24"
Olympia square 6032	106012	Between 60"- 60 1/4"		16"	8 1/2"
B3 Square 4832	420001-5XX	Between 48"- 48 1/4"	33 1/2"	16"	24"
B3 Round 4832	410001-5XX			18"	
B3 Square 4836	420003-5XX		37 1/2"	18"	
B3 Round 4836	410003-5XX		37 1/2"	18"	
B3 Square 6032	420005-5XX	Between 60"- 60 1/4"	33 1/2"	16"	8 1/2"
B3 Round 6032	410005-5XX			18"	
B3 Square 6036	420006-5XX		37 1/2"	18"	
B3 Round 6036	410006-5XX		37 1/2"	18"	

1.1 Check me!



Verify the walls are square, plumb and the flooring is perfectly level.

1.2 Check me!

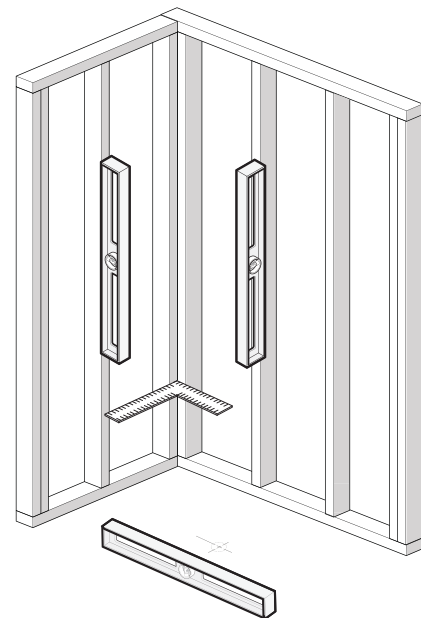


Leveling the floor is critical for wall alignment

Quick tip

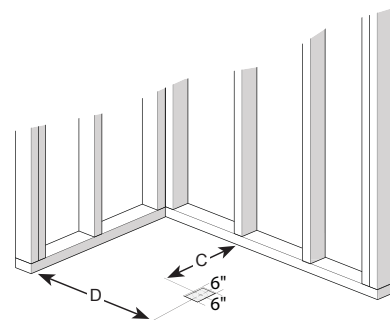


For leveling the floor use self-leveling mortar.



Cut out an approximate 6" x 6" opening around the drain center outlined by measurements C and D. See image to the right and the chart above. We recommend that a plumber completes the drain pipe connection.

1.3 Check me!



STEP 2 Installing the base B3 / Olympia



Remove clear plastic film on the base. Use cardboards on the base floor as protection until the installation is complete.

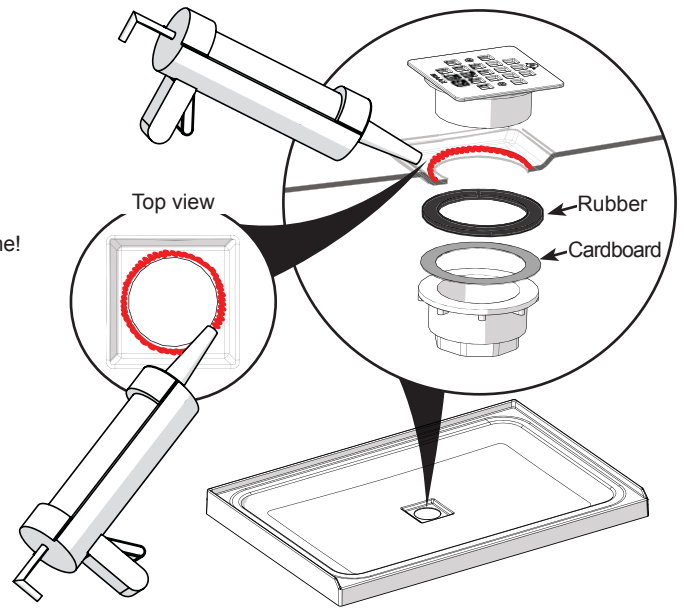
Apply silicone around the edge of the drain hole in the base (surface between the top part of the drain and the base). Assemble as shown.

HAND TIGHTEN ONLY !

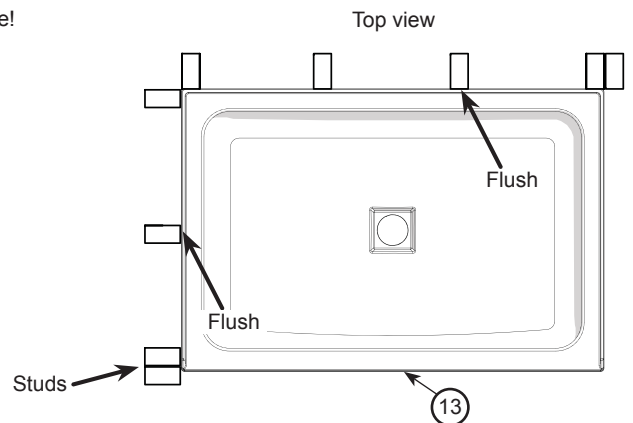
VERIFY THE MAAX LOGO ON THE DRAIN COVER IS FACING THE RIGHT WAY

REMOVE SILICONE EXCESS!

Install the base (13) pushing it completely against the studs.



2.2
Check me!



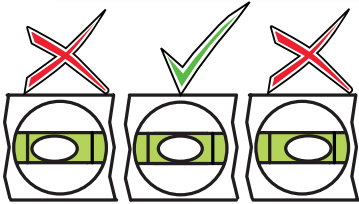
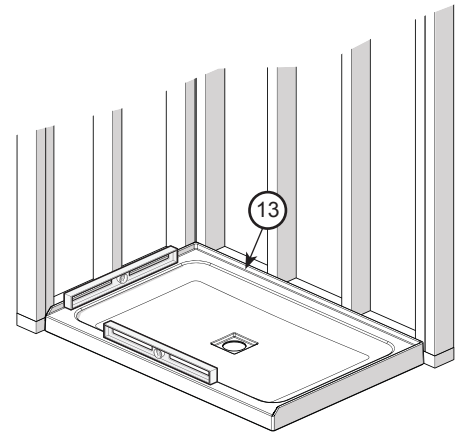
STEP 2

Installing the base (cont'd) Olympia

COMPATIBLE BASES	No.
Olympia square 4832	106011
Olympia square 6032	106012

Verify that the base is completely level on all sides. Confirm that the drain pipe is centered in the drain head. We recommend a plumber to complete the drain pipe connection.

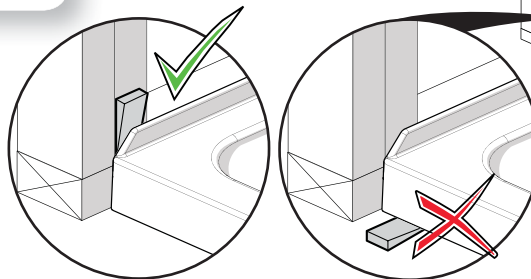
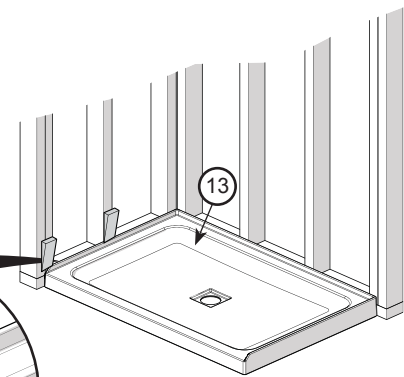
2.3
Check me!



If needed use wooden shims between the studs and the fastening flange to maintain the position of the base.

**FOR OLYMPIA BASES DO NOT USE SHIMS UNDER THE BASE TO LEVEL!
DOING SO WILL VOID THE MAAX WARRANTY!**

2.4
Check me!



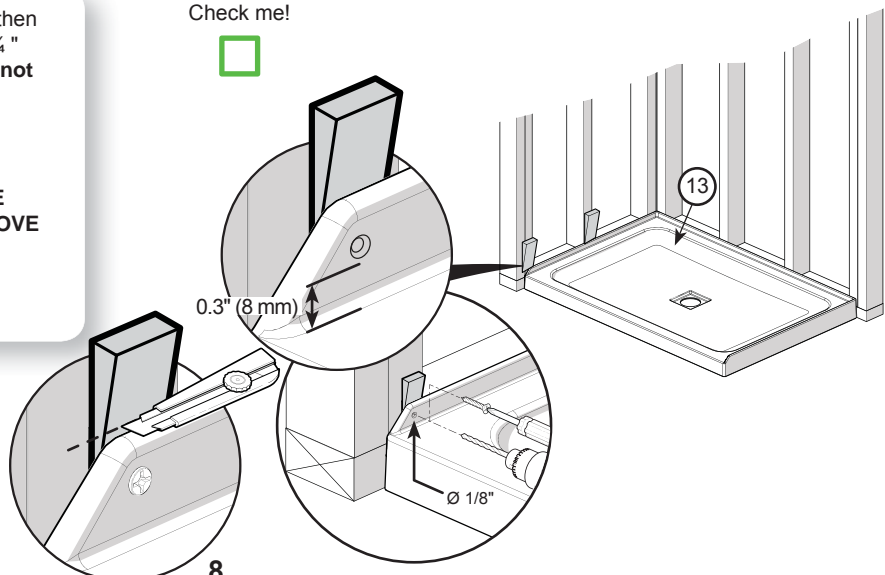
With a 1/8" bit, drill holes in the fastening flange then secure the base to all the wall studs with #8 x 1 1/4" screws (not included). **Only pre-drill the flange not the studs.**

HAND TIGHTEN ONLY !

THE BOTTOM OF ALL HOLES IN THE FLANGE HAVE TO BE AT LEAST 8MM (0.3 INCHES) ABOVE THE BASE THRESHOLD!

CUT SHIM EXCESS

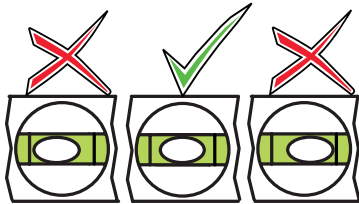
2.5
Check me!



STEP 2 Installing the base (cont'd) B3

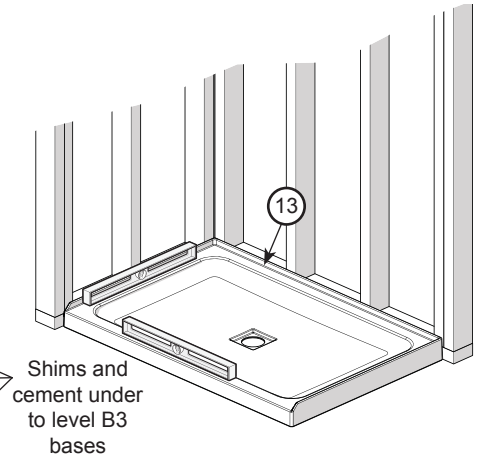
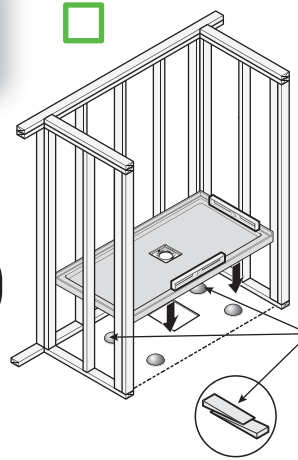
COMPATIBLE BASES	No.
B3 Square 4832	420001-5XX
B3 Round 4832	410001-5XX
B3 Square 4836	420003-5XX
B3 Round 4836	410003-5XX
B3 Square 6032	410005-5XX
B3 Round 6032	410005-5XX
B3 Square 6036	410006-5XX
B3 Round 6036	410006-5XX

Verify that the base is completely level on all sides. Confirm that the drain pipe is centered in the drain head. We recommend a plumber to complete the drain pipe connection.



 Leveling the base is critical for wall alignment

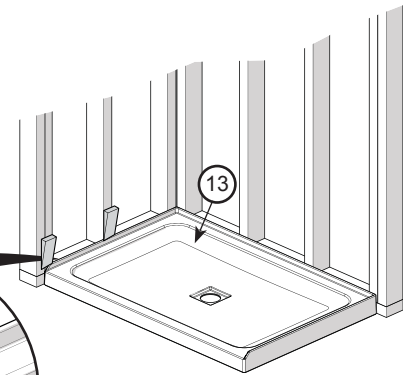
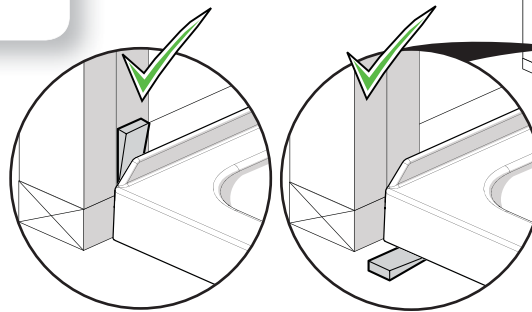
2.3
Check me!



If needed use wooden shims between the studs and the fastening flange to maintain the position of the base.

FOR B3 BASES YOU MAY USE SHIMS UNDER THE BASE TO LEVEL (UNDER THE BASE LEGS IDEALLY)

2.4
Check me!



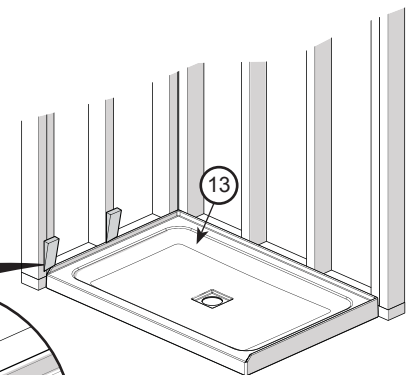
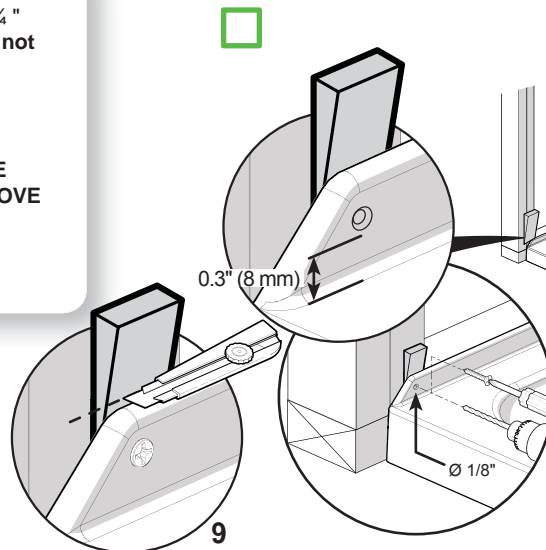
With a 1/8" bit, drill holes in the fastening flange then secure the base to all the wall studs with #8 x 1 1/4" screws (not included). **Only pre-drill the flange not the studs.**

HAND TIGHTEN ONLY !

THE BOTTOM OF ALL HOLES IN THE FLANGE HAVE TO BE AT LEAST 8MM (0.3 INCHES) ABOVE THE BASE THRESHOLD!

CUT SHIM EXCESS

2.5
Check me!



STEP 3

Installing Ulok system on the walls



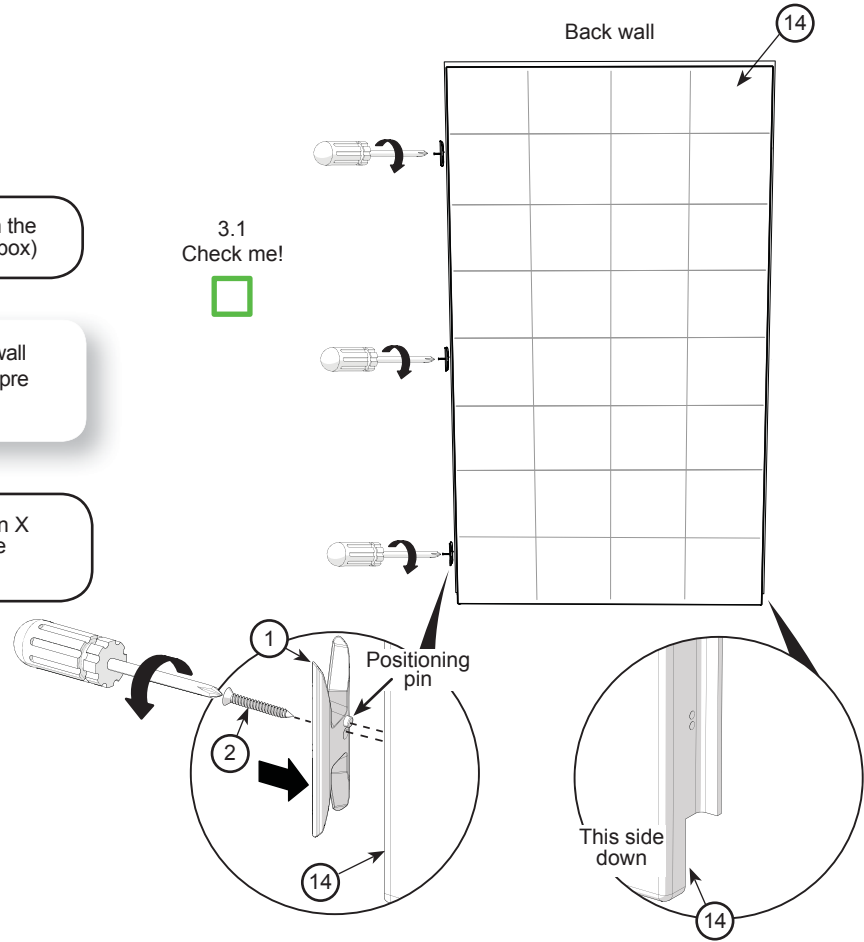
The Ulok system parts are in the side wall boxes. (1 pack per box)

Install three X fasteners (1) on the side of the back wall (14) that will be assembled with the side wall, in the pre drilled holes using the screws provided (2).

Quick tip 

There is a positioning pin on X fastener so they can only be installed one way.

3.1
Check me!

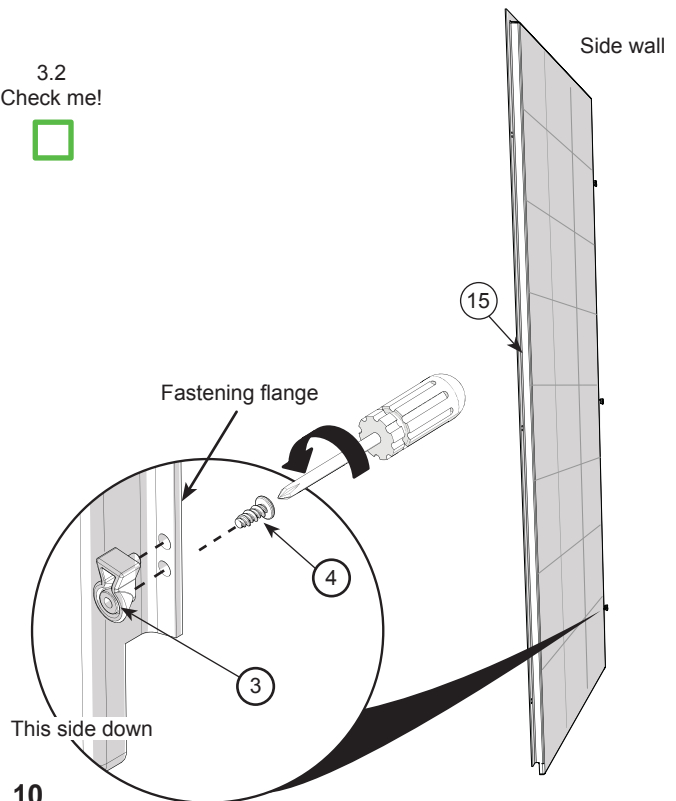


Fasten 3 retraction pins per side wall in the pre drilled holes with the screws provided (4) to the left-hand or right-hand fastening flange of the side walls (15) depending on which side the wall will be installed on.

Quick tip 

The side wall is interchangeable. For wall to the left, install the pins on the right side, for wall to the right install the pins on the left side.

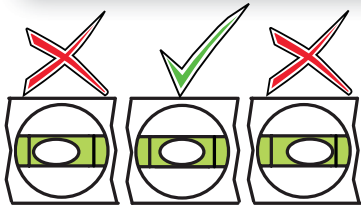
3.2
Check me!



STEP 4 Temporary installation of the back wall

Pull back the protective film on the walls (14-15) at least 3" away from all edges. Keep the remaining protective film on the walls and base.

Position and level the back wall (14) by sitting it on the threshold at the back of the base.



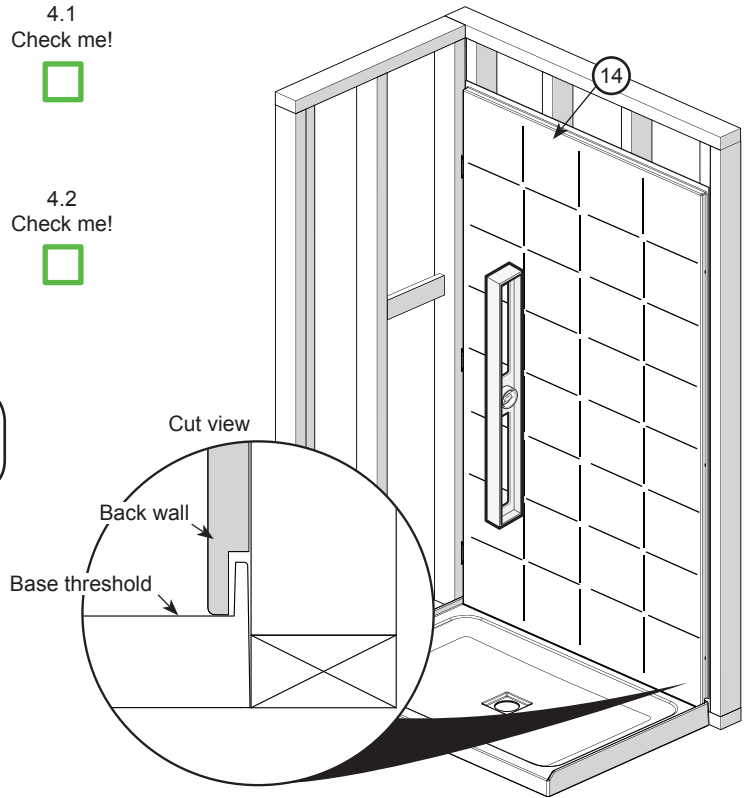
Plumbing the back wall is critical for alignment of the side wall

Quick tip Installing the walls temporarily will ensure proper wall alignment before permanent installation. Make sure the wall is plumb and centered on the base.

4.1
Check me!



4.2
Check me!

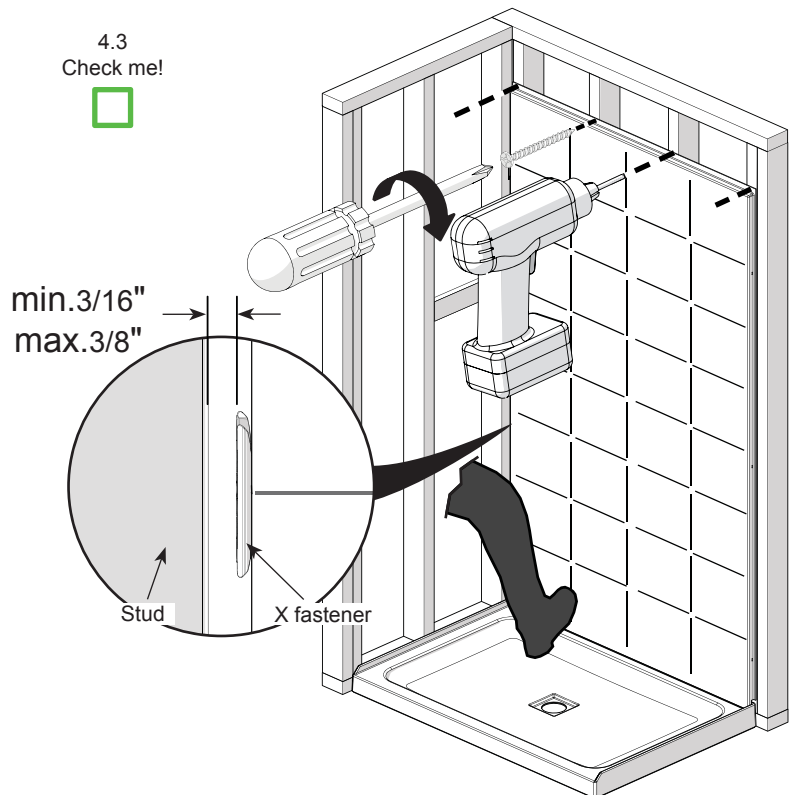


With a 1/8" bit, drill holes in the back wall fastening flange (14) at the top aligned with each stud. **Only pre-drill the flange not the studs.** Then, secure the back wall (14) with **one #8 x 1 1/4"** screw (not included) in one of the pre-drilled holes.

IMPORTANT: HAND TIGHTEN ONLY. TEMPORARY INSTALLATION.

Quick tip Push the bottom of the back wall with your foot when fastening in place.

4.3
Check me!

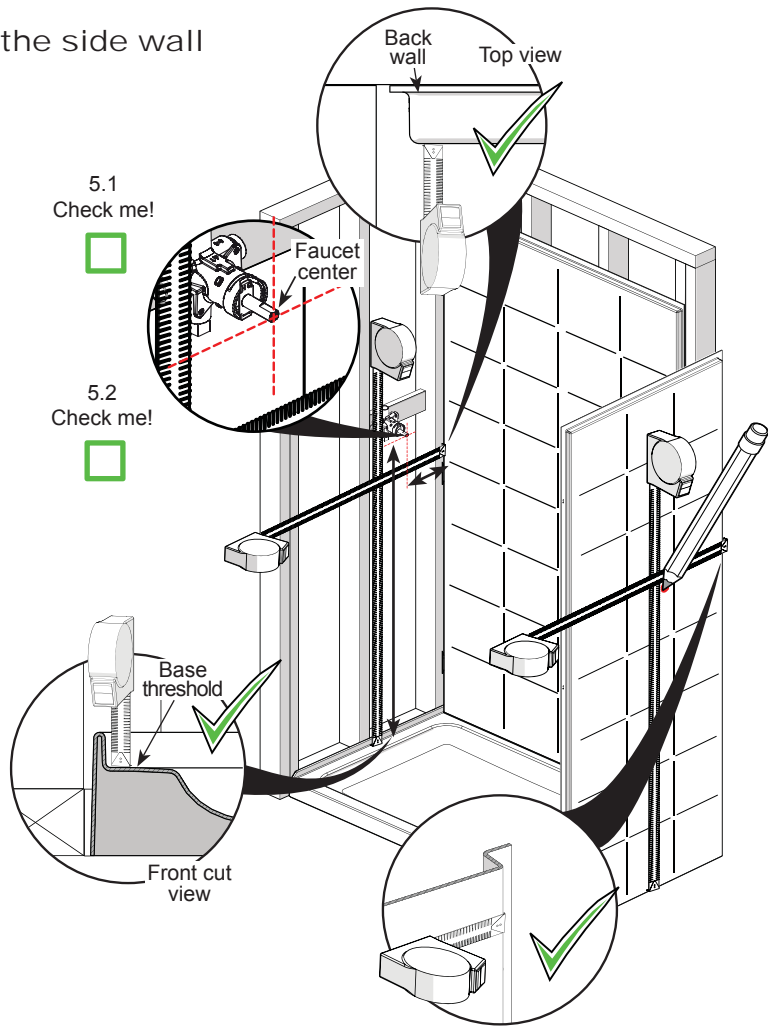


STEP 5 Temporary installation of the side wall

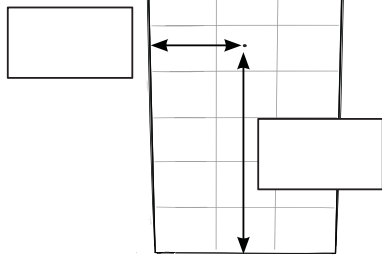
Measure the distance between the front face of the back wall (14) and the center of the faucet. Then measure the distance from the top of the base threshold to the center of the faucet.

Using those two measurements mark the position of the faucet hole on the remaining side wall. Measure from the side and bottom of the side wall.

Repeat this process for all required faucet holes.

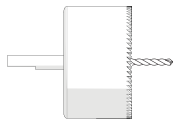


Measure twice, drill once!
Record measures below.

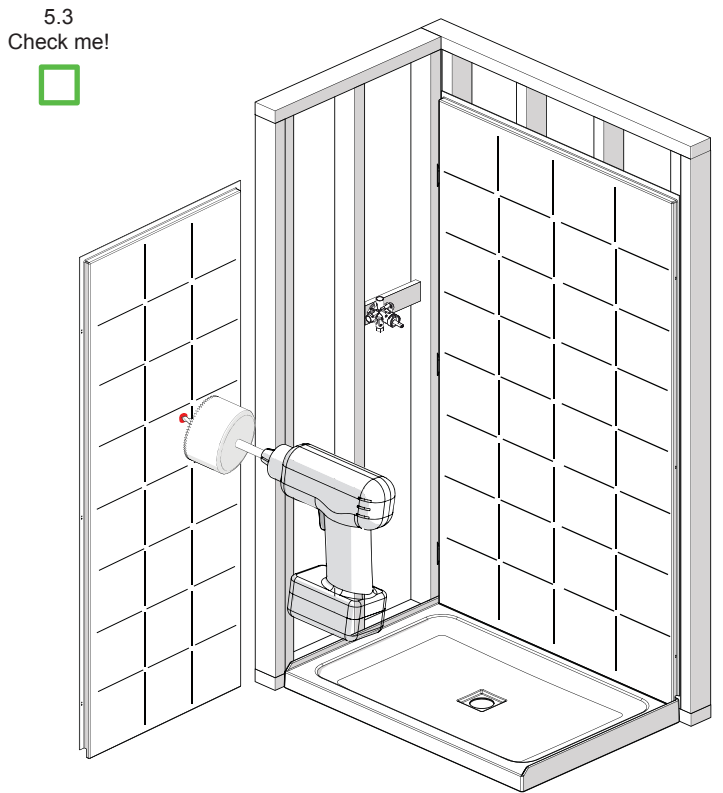


Drill a hole from front for the faucets at the previously marked positions. Pre-drill the hole with the 1/8" drill bit. The hole saw size is determined by the faucet type; refer to the faucet installation manual for hole saw size.

Quick tip 👍 Hole saws can be rented at your local hardware store or any tool rental location.



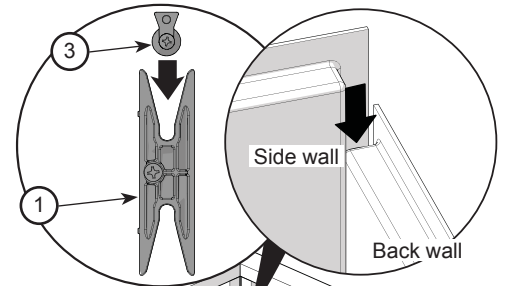
! For safe hole saw usage always pre-drill a hole and wear safety glasses when drilling.



STEP 5 Temporary installation of the side walls (Cont'd)

Install the side wall (15). Lift the wall approximately 3" above the threshold of the base, push it completely against the back wall then lower the side wall into position.

5.4
Check me!



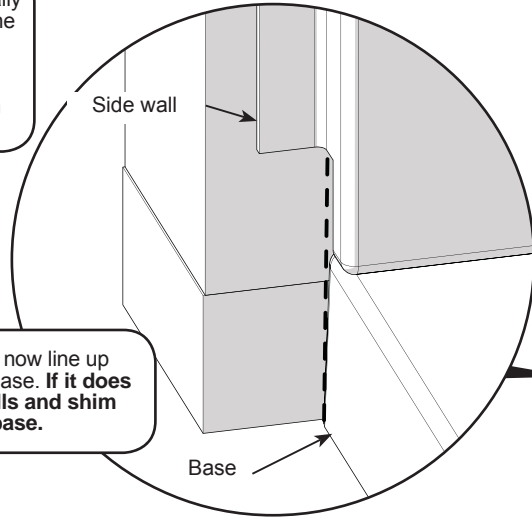
!
It is critical that all 3 retraction pins engage with the X fasteners. There should be no gap between the walls.

Quick tip

Place a level vertically on the side wall. If the wall is not straight, make sure that the retraction pins are properly inserted in the X fasteners.

Quick tip

The side wall should now line up with the front of the base. **If it does not, remove the walls and shim the back flange of base.**

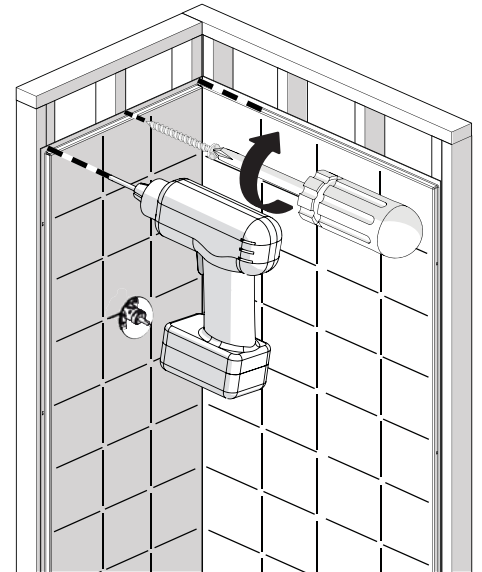


5.5
Check me!



With a 1/8" bit, drill holes in the side wall fastening flange (15) at the top aligned with each stud. **Only pre-drill the flange not the studs.** Then, secure the side wall (15) with **one #8 x 1 3/4"** screw (not included) in one of the pre-drilled holes.

IMPORTANT: HAND TIGHTEN ONLY. TEMPORARY INSTALLATION.



STEP 6 Final installation of back wall

Remove all walls from the structure.

Clean the shower base and apply a bead of silicone on the threshold at 3/8" from the back fastening flange. Run the bead of silicone the entire length of the base and 1" on the side wall will be installed on as well.

Lift and place back wall (14) directly over the silicone without sliding. Verify that the back wall (14) is plumb, shim if needed. Then, secure the back wall to the wall studs at top with #8 x 1 3/4" screws (not included) in the previously drilled holes.

IMPORTANT: HAND TIGHTEN ONLY. DO NOT OVER-TIGHTEN THE SCREWS.



It is critical for the side wall installation for there to be at least 1/8" and no more than 3/8" between the stud and the X fastener.

Quick tip 

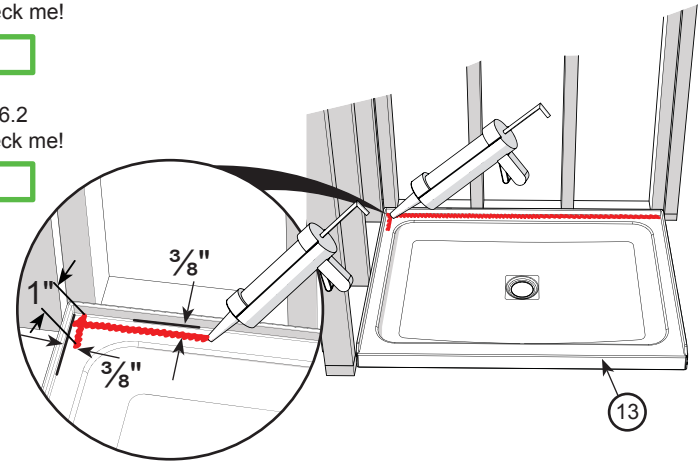
Hold the bottom of the back wall with your foot when fastening in place.

Apply a bead of silicone on both sides of base (13) threshold at 3/8" from the base side fastening flanges. Apply silicone on both side of the back wall (14) just before the wall side radius. **The silicone applied on the base and vertically on the back wall must overlap.**

6.1
Check me!



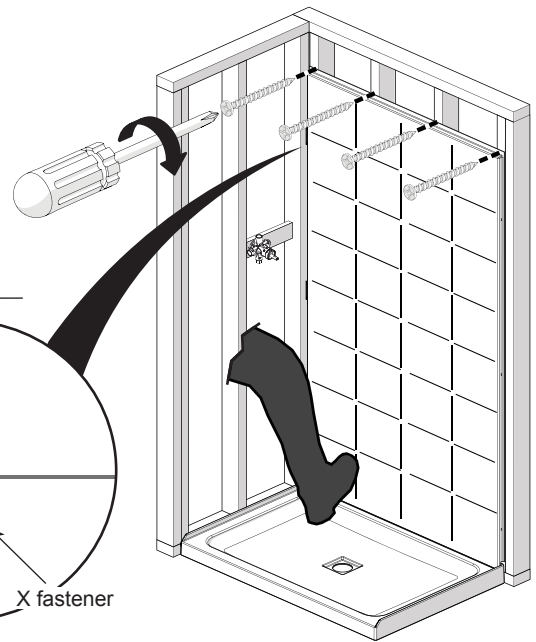
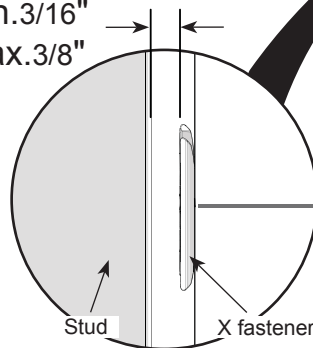
6.2
Check me!



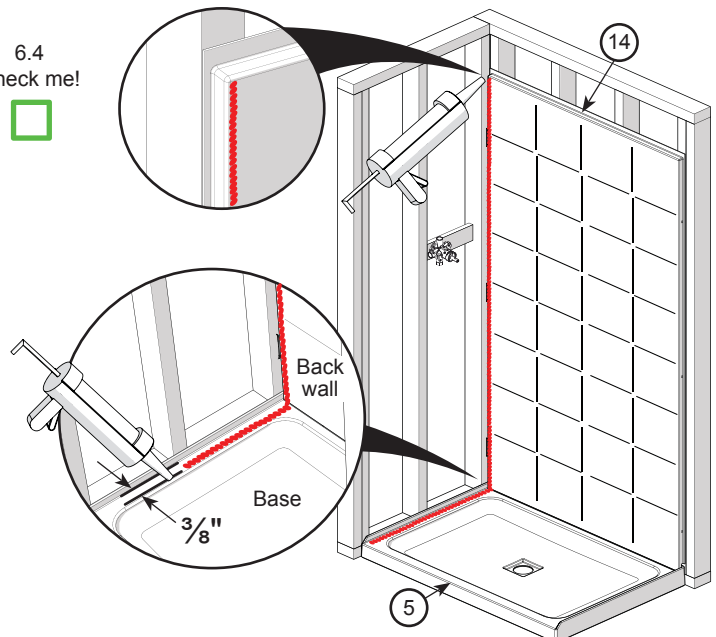
6.3
Check me!



min. 3/16"
max. 3/8"



6.4
Check me!

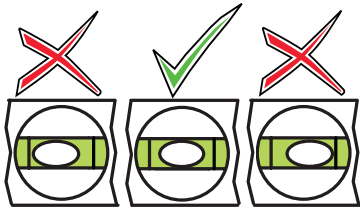
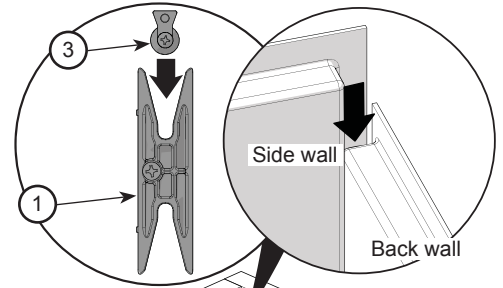


STEP 7 Final installation of side wall

Install the side wall (15). Lift the wall approximately 3 inches above the threshold of the base, push it completely against the back wall then slide the side wall into position.

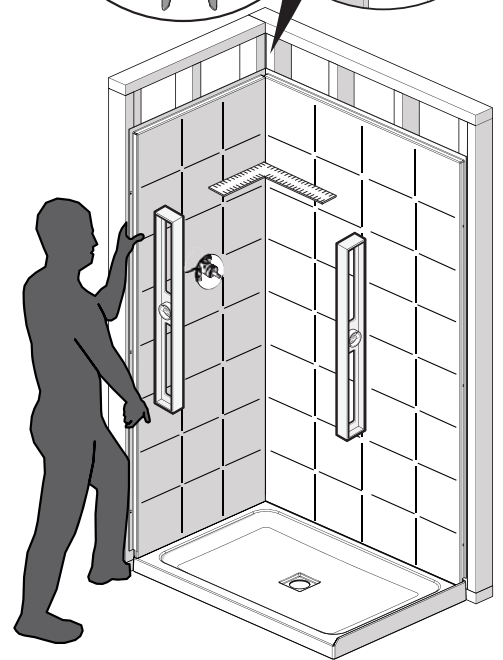
WIPE OFF EXCESS SILICONE

7.1
Check me!



BEFORE CONTINUING, VALIDATE THAT ALL THE WALLS ARE LEVEL, PLUMB AND SQUARE

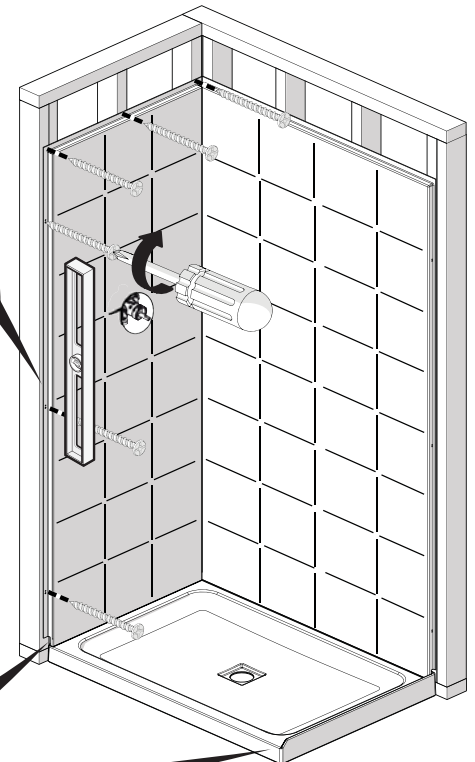
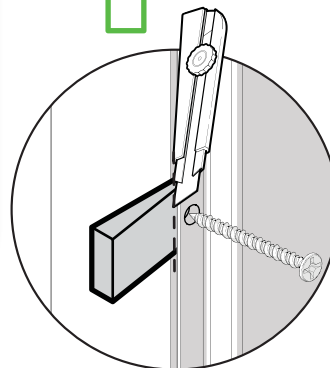
7.2
Check me!



Secure the wall to the wall studs with #8 x 1 1/4" screws (not included) in the previously drilled holes. Also, secure the wall by the fastening flanges on the side of the wall. Use the pre-dilled holes. **If needed, use shims to keep wall plumb, square and leveled. (Cut shim excess)**

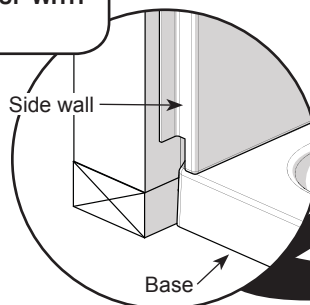
IMPORTANT: HAND TIGHTEN ONLY. DO NOT OVER-TIGHTEN THE SCREWS.

7.3
Check me!



Quick tip

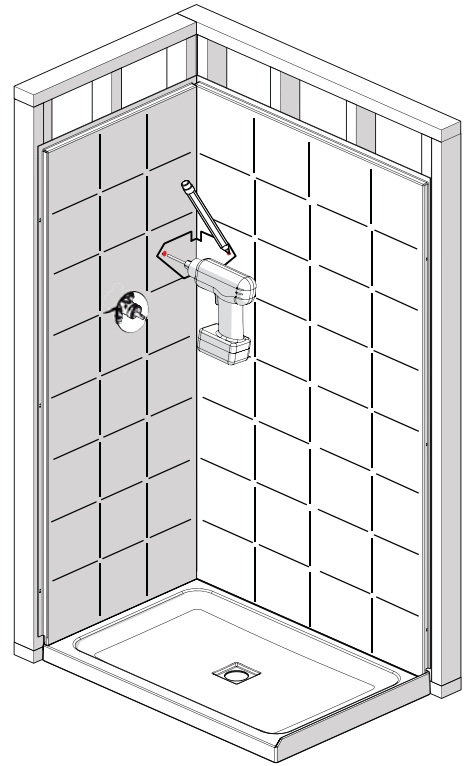
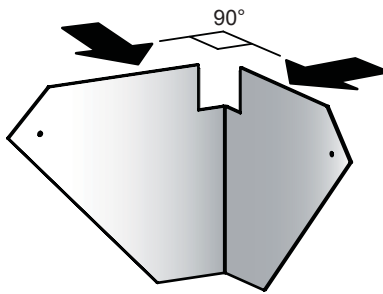
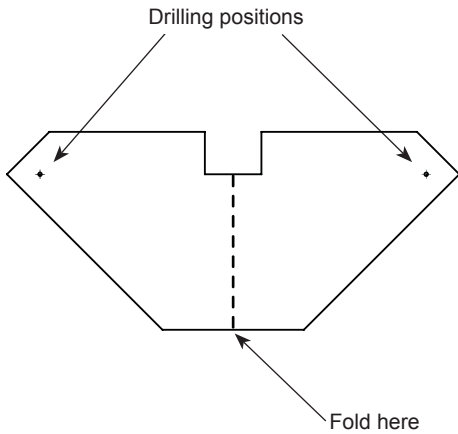
THE SIDE WALL SHOULD LINE UP WITH THE BASE



STEP 8 Marking and drilling the glass shelf holes

Place the template in the corner of the shower where you want to install your shelf.
 Slide the template up until the points on the left and right-hand side of the template are at the height you want your shelf.
 Use a pencil, marker or wax pencil to mark the spots where the holes for the shelf will be drilled.
 Drill the holes using a 9/64" drill bit.

Check me!



STEP 9 Silicone

Remove protective film from walls

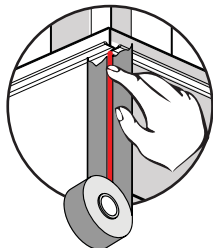
Apply a bead of silicone all along the wall to wall and wall to base joints. For a smooth finish you can remove the silicone excess with a damp rag or wet finger.

Check me!

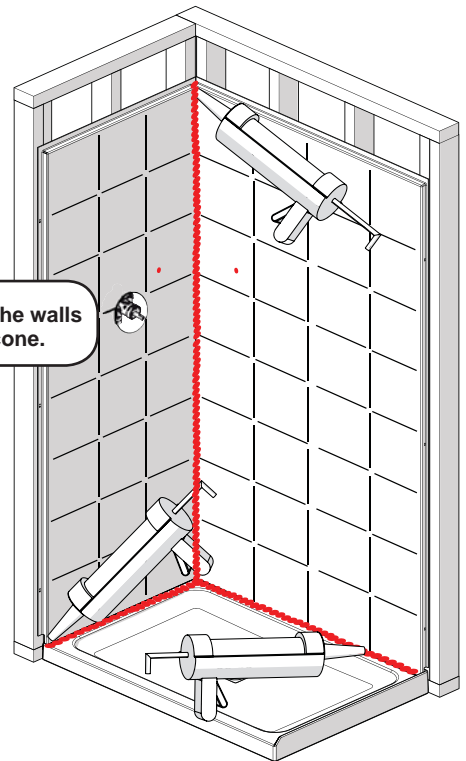


Quick tip

Apply masking tape on both sides of the joint where you will run a bead of silicone. Apply the silicone, smooth with a wet finger then remove the masking tape.

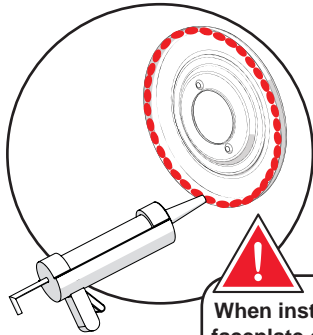


All faucets installed on the walls must be sealed with silicone.



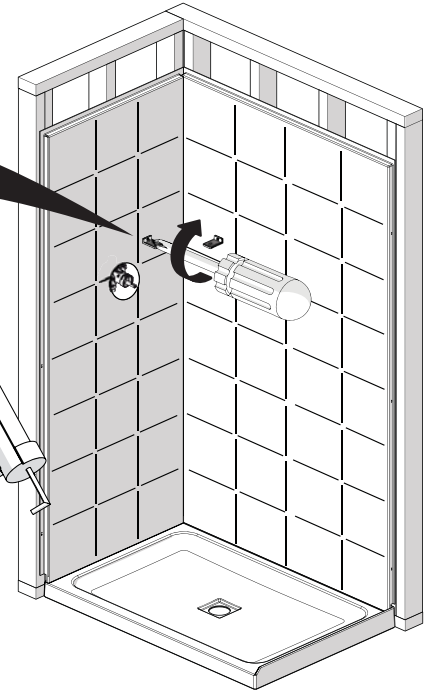
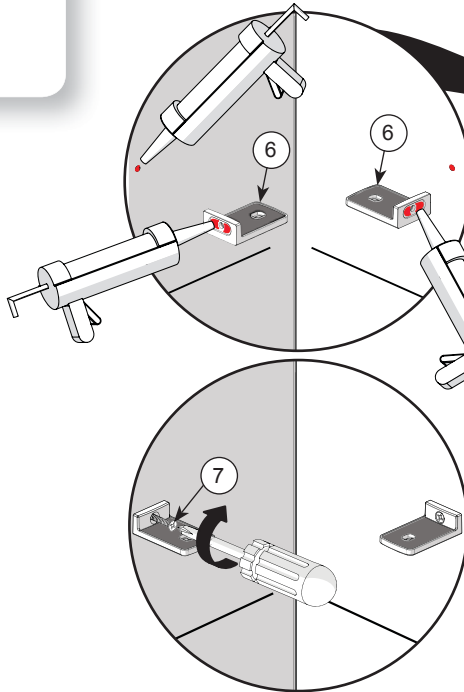
STEP 10 Glass shelf installation

Apply silicone in the previously drilled holes on the side and back walls. Apply silicone to the rear of the shelf brackets (6). Fasten the brackets in place using the screws (7).



When installing the faucet faceplate or any other component, be sure to silicone the outer edge.

10.1
Check me!

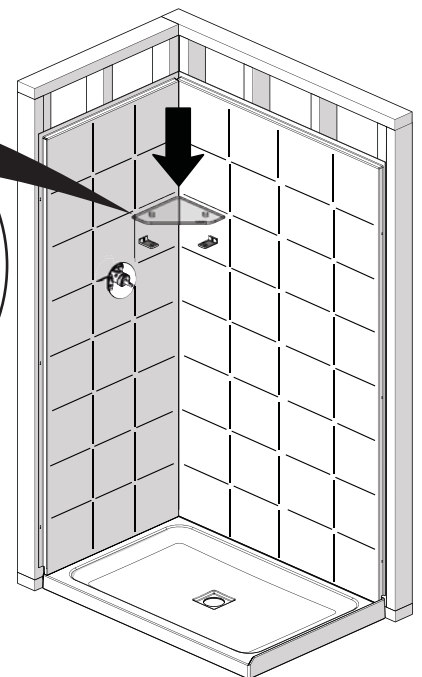
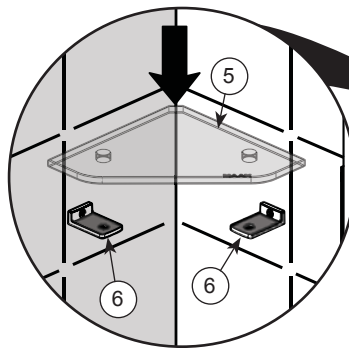


Clean the top rubber part of the brackets with a damp cloth, then place the glass shelf (5) over the brackets (6).

Quick tip 

If you can read the MAAX logo, the shelf is installed on the right side.

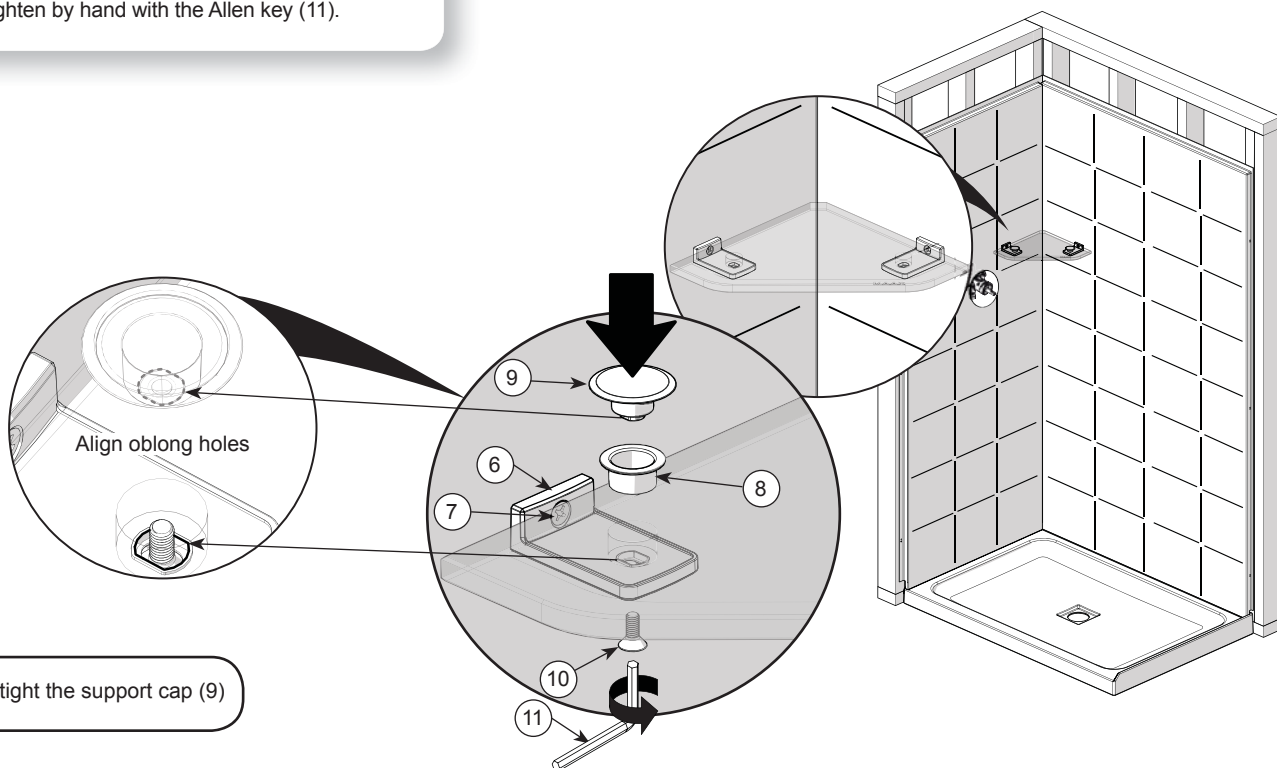
10.2
Check me!



STEP 10 Glass shelf installation (cont'd)

Insert the washers (8) in the shelf support cap (9). Align and insert the shelf support caps (9) with the holes of the glass and the holes of the shelf brackets (6). Screw from the bottom of the shelf with the # 10 x 1/2" screws (10) and tighten by hand with the Allen key (11).

10.3
Check me!

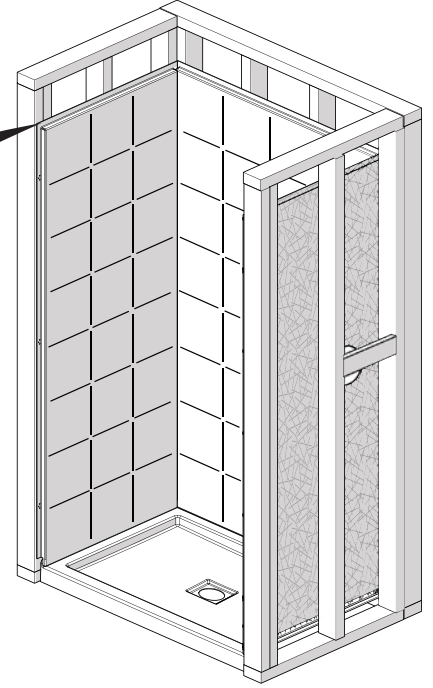
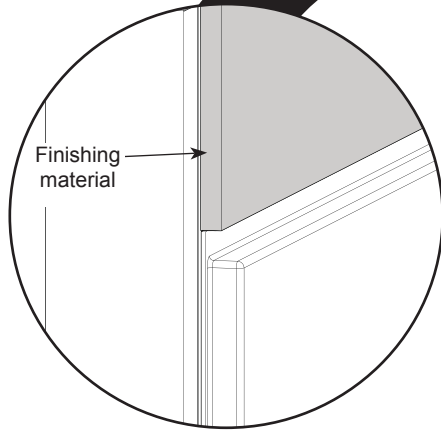
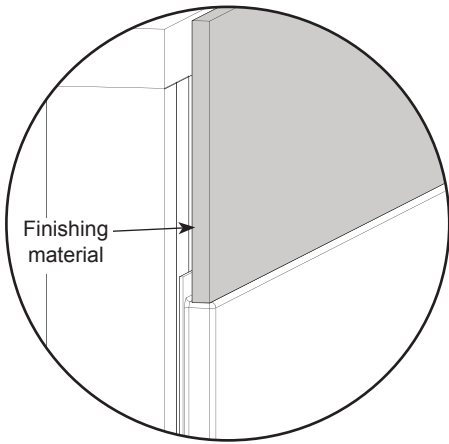


STEP 11 Wall finish

Check me!



For the wall finish you can install your finishing material on top of the flange or on the wall edge as shown.



Para una instalación sin problemas siga las etapas una a una y vaya y marquelas una vez estén terminadas.



ETAPA 1 Construcción de la estructura

Antes de comenzar asegúrese de tener todas las piezas y componentes referirse a la página 4.

Contruir una estructura que respete las dimensiones mencionadas en la tabla.

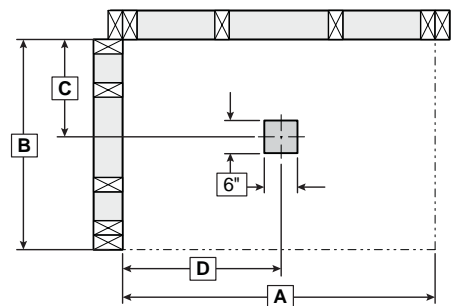
SI LA ESTRUCTURA YA ESTA CONSTRUIDA, ASEGURARSE QUE LAS DIMENSIONES RESPETEN LAS DE LA TABLA

1.1 Marcarme!



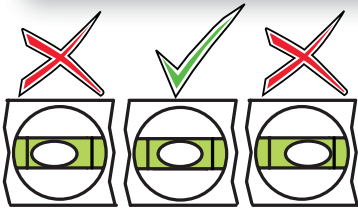
BASES COMPATIBLES	No.	A	B	C	D
Olympia square 4832	106011	Entre 48"- 48 1/4"	33 1/2"	16"	24"
Olympia square 6032	106012	Entre 60"- 60 1/4"		16"	8 1/2"
B3 Square 4832	420001-5XX	Entre 48"- 48 1/4"	33 1/2"	16"	24"
B3 Round 4832	410001-5XX		37 1/2"	18"	
B3 Square 4836	420003-5XX				
B3 Round 4836	410003-5XX	Entre 60"- 60 1/4"	33 1/2"	16"	8 1/2"
B3 Square 6032	420005-5XX		37 1/2"	18"	
B3 Round 6032	410005-5XX				
B3 Square 6036	420006-5XX				
B3 Round 6036	410006-5XX				

Vista superior de la estructura



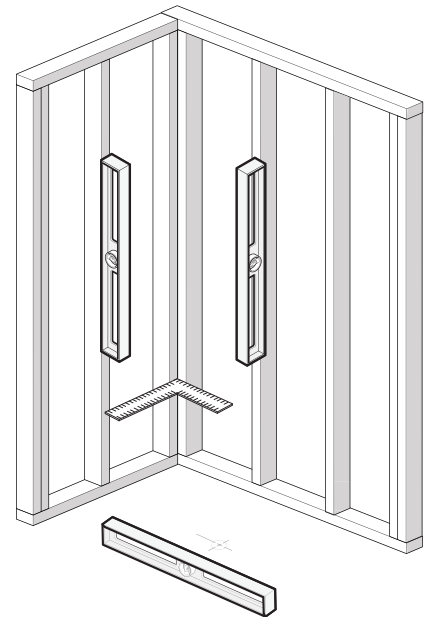
Verificar que los listones estén a escuadra y verticales y que el piso esté a nivel.

1.2 Marcarme!



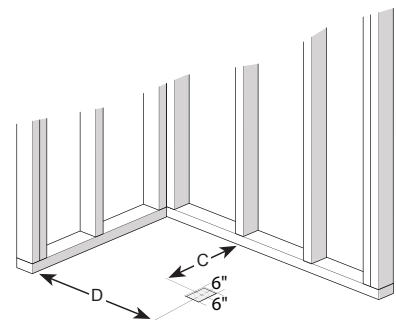
Es esencial que el suelo esté a nivel para garantizar la verticalidad de las paredes a instalar.

En las bases con espuma reforzada (Olympia), utilizar mortero autonivelante para nivelar el piso.



Corte una abertura de aproximadamente 6 x 6 para el desagüe central, siguiendo las medidas C y D. Ver la imagen de la derecha y de la tabla en el paso 1.1. Recomendamos contratar a un plomero certificado para conectar el desagüe.

1.3 Marcarme!



ETAPA 2 Instalación de la base B3 / Olympia



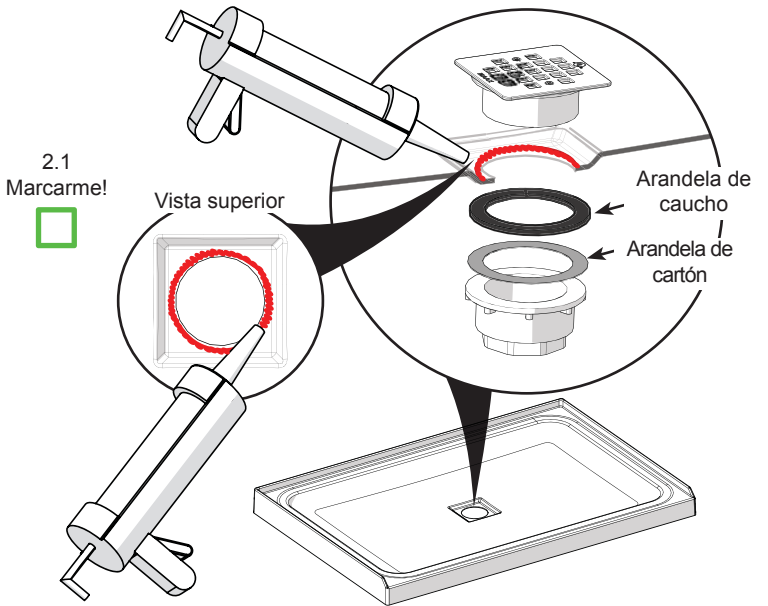
Retire la película transparente de la base. Utilice cartón en el fondo de la base como protección hasta el final de la instalación.

Aplicar silicona alrededor del agujero de drenaje de la base (ver la ilustración). Montar el desagüe como se ilustra.

APRETAR A MANO ÚNICAMENTE!

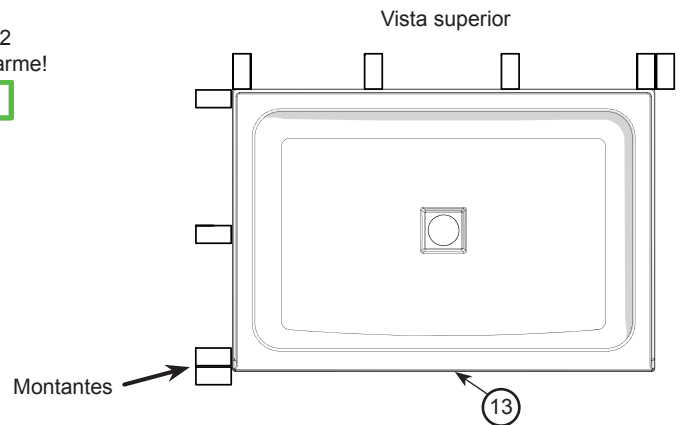
ASEGURARSE QUE EL LOGO DE MAAX UBICADO EN LA CUBIERTA DEL DRENAJE QUEDE ORIENTADO HACIA EL FRENTE DE LA BASE.

REMOVER EL EXCESO DE SILICONA.



Ponga la base (13) en su lugar apoyandola contra los montantes o listones de la pared del fondo.

2.2 Marcarme!

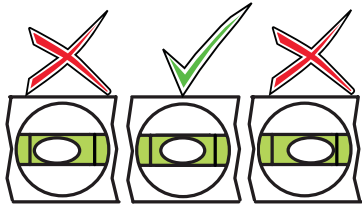


ETAPA 2 Instalación de la base (continuación) Olympia

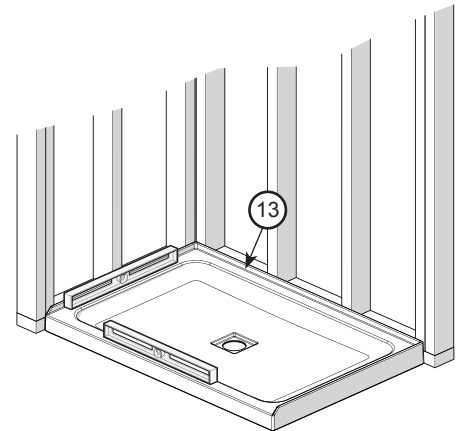
BASES COMPATIBLES	No.
Olympia square 4832	106011
Olympia square 6032	106012

Asegúrese en todos los lados que la base esta perfectamente nivelada. Comprobar que el desagüe está alineado. Se recomienda utilizar una plomero certificado para la conexión de drenaje.

2.3 Marcarme!



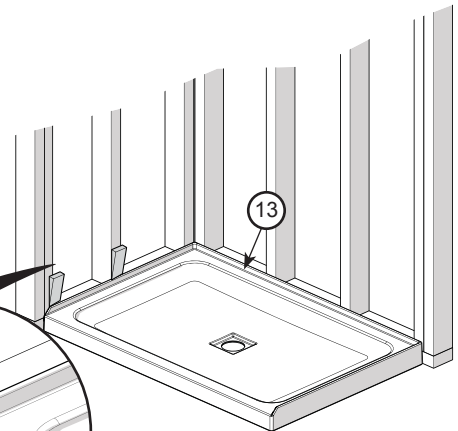
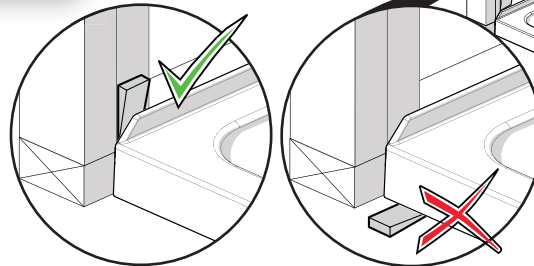
Es esencial que la base este a nivel para garantizar la verticalidad de las paredes.



Si es necesario, utilizar cuñas de madera entre la base y los montantes para mantener la base en posición.

PARA LAS BASES OLYMPIA NO USAR CUÑAS DE MADERA DEBAJO DE LA BASE PARA NIVELARLA; HACERLO ANULARÁ LA GARANTÍA!

2.4 Marcarme!



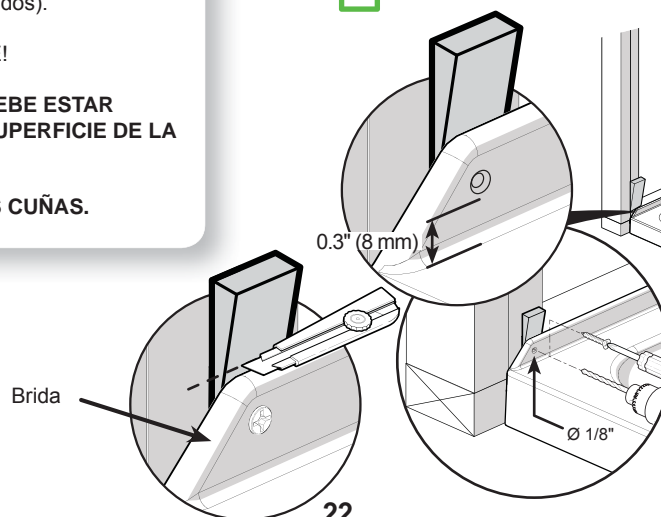
Perforar los pre-agujeros de la brida de la base solamente con una broca de 1/8". **No perforar los montantes.** Fijar la base a todos los montantes usando tornillos # 8 x 1 3/4" (no incluidos).

APRETAR A MANO ÚNICAMENTE!

CADA AGUJERO DE LA BRIDA DEBE ESTAR MÍNIMO A 8 MM (0,3 PO) DE LA SUPERFICIE DE LA BASE!

CORTAR EL EXCEDENTE DE LAS CUÑAS.

2.5 Marcarme!



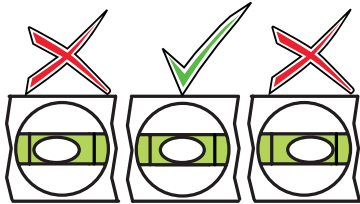
ETAPA 2

Instalación de la base (continuación)

B3

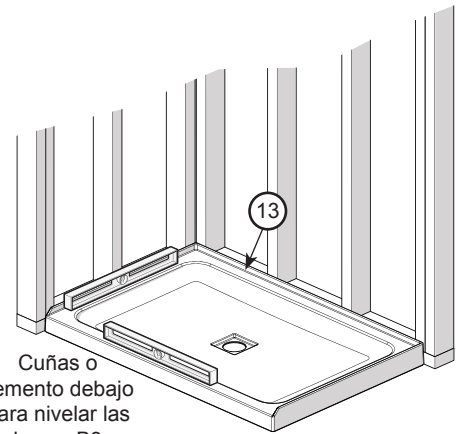
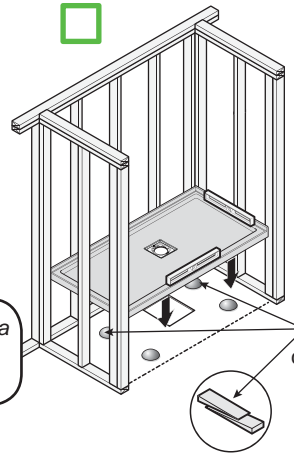
BASES COMPATIBLES	No.
B3 Square 4832	420001-5XX
B3 Round 4832	410001-5XX
B3 Square 4836	420003-5XX
B3 Round 4836	410003-5XX
B3 Square 6032	410005-5XX
B3 Round 6032	410005-5XX
B3 Square 6036	410006-5XX
B3 Round 6036	410006-5XX

Asegurarse en todos los lados que la base esta perfectamente nivelada. Comprobar que el desagüe está alineado. Se recomienda utilizar una plomero certificado para la conexión de drenaje.



Es esencial que la base este a nivel para garantizar la verticalidad de las paredes.

2.3
Marcarme!

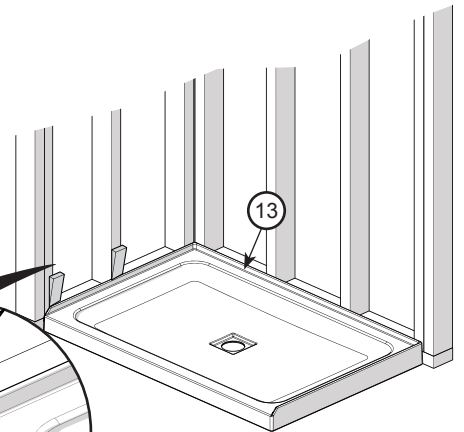
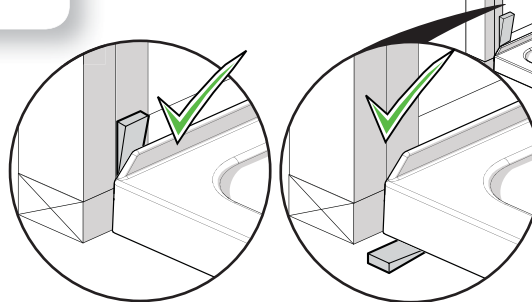


Cuñas o cemento debajo para nivelar las bases B3

Si es necesario, utilizar cuñas de madera entre la base y los montantes para mantener la base en posición.

PARA LAS BASES DE DUCHA B3 USAR EN CASO DE SER NECESARIO CUÑAS DE MADERA DEBAJO DE LA BASE PARA NIVELARLA (DEBAJO DE LAS PATAS PREFERIBLEMENTE)

2.4
Marcarme!



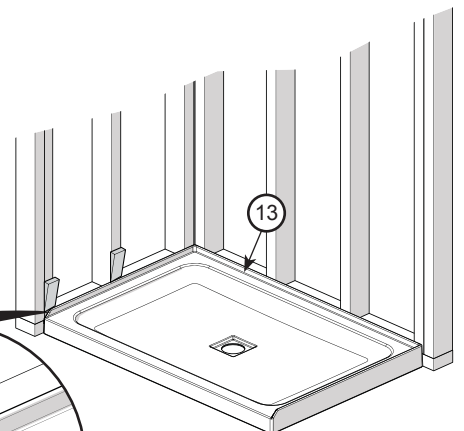
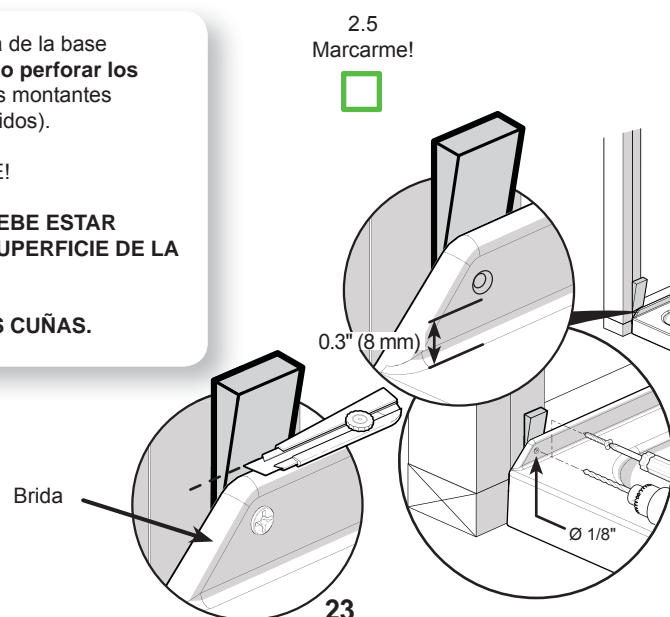
Perforar los pre-agujeros de la brida de la base solamente con una broca de 1/8". **No perforar los montantes.** Fijar la base a todos los montantes usando tornillos # 8 x 1 3/4" (no incluidos).

APRETAR A MANO ÚNICAMENTE!

CADA AGUJERO DE LA BRIDA DEBE ESTAR MÍNIMO A 8 MM (0,3 PO) DE LA SUPERFICIE DE LA BASE!

CORTAR EL EXCEDENTE DE LAS CUÑAS.

2.5
Marcarme!



ETAPA 3 Instalación del sistema Ulok sobre los muros



Las piezas del sistema Ulok se encuentran en las cajas de los muros laterales (un paquete por caja)

Instalar tres sujetadores en forma de X (1) en los agujeros preperforados del lado del muro posterior (14) que será ensamblado al muro lateral con los tornillos suministrados (2).

Consejo rápido

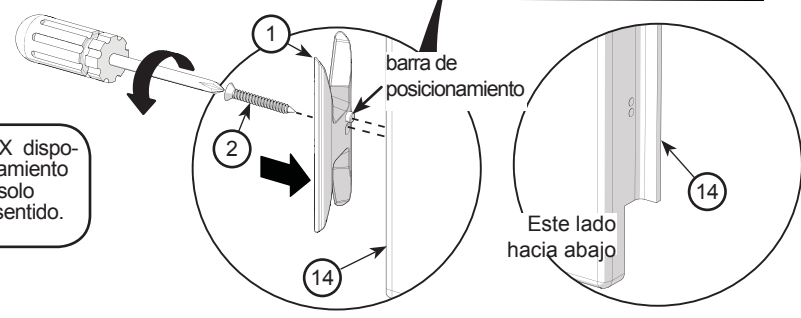
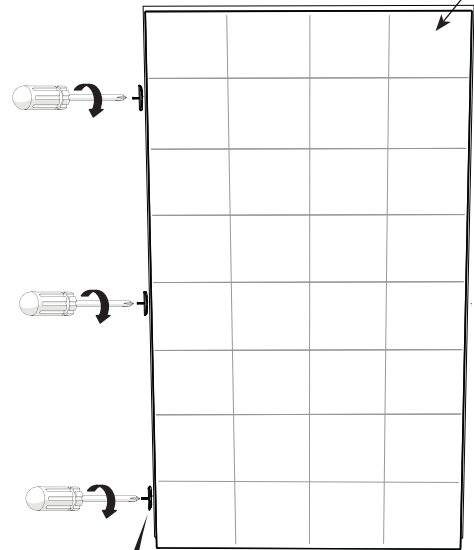


Los sujetadores en forma de X disponen de una barra de posicionamiento para ayudar a su instalación, solo pueden ser instalados en un sentido.

3.1 Marcarme!



Muro posterior (14)



Instalar tres pasadores de retracción (3) en los los agujeros pre-perforados del muro lateral (15) en utilizando los tornillos suministrados (4).

Consejo rápido

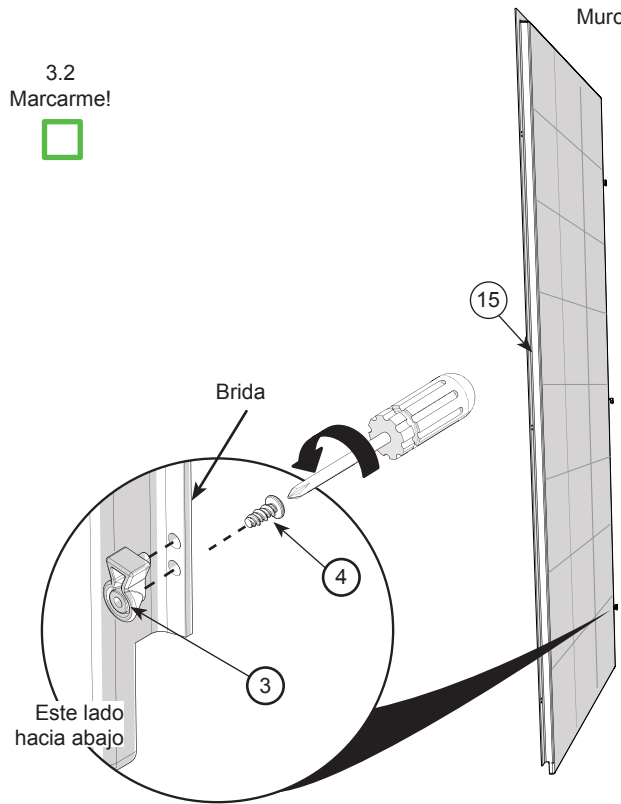


Los muro laterales son intercambiables. Para el muro izquierdo, fijar los pasadores a la derecha, y para el muro derecho, fijar los pasadores a la izquierda.

3.2 Marcarme!



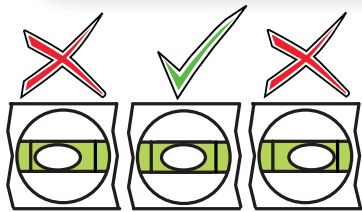
Muro lateral



ETAPA 4 Instalación temporal del muro posterior

Retirar al menos 3 o 4 pulgadas de película transparente de todos los lados de la pared posterior. Deje el resto de la película adherida a la pared.

Coloque el muro posterior (14) apoyándolo en el umbral posterior de la base y nivelarlo.



Es esencial nivelar el muro posterior para garantizar el alineamiento de los muros laterales.

Consejo rápido

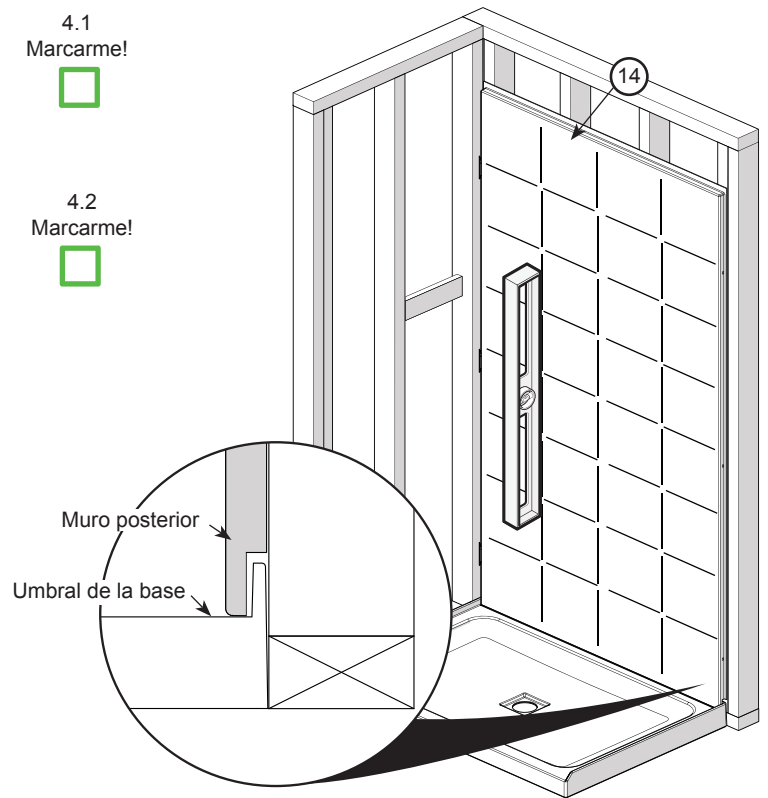


La instalación temporal de los muros garantiza su alineación correcta antes de instalarlos de manera permanente.

4.1 Marcarme!



4.2 Marcarme!



Perforar los pre-agujeros de la brida del muro posterior solamente con una broca de 1/8" alineando con cada montante. **No perforar los montantes.** Fijar el muro temporalmente a un montante usando un tornillo # 8 x 1 3/4" (no incluido).

IMPORTANTE: APRETAR A MANO ÚNICAMENTE! INSTALACIÓN TEMPORAL.

Consejo rápido

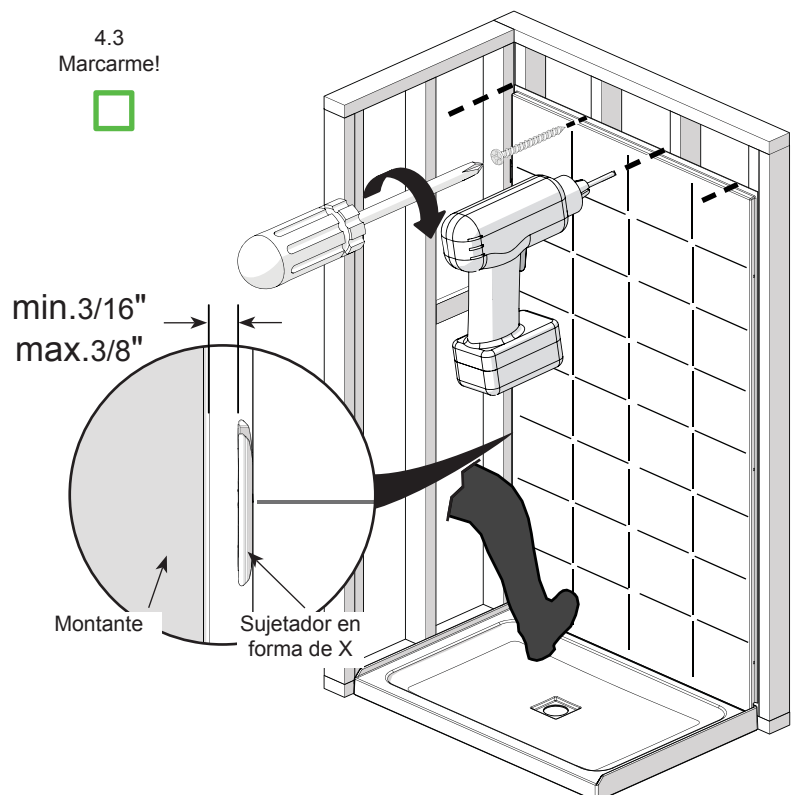


Empuje la parte inferior del muro contra los montantes con el pie en el momento de atornillar el muro en su lugar.

4.3 Marcarme!



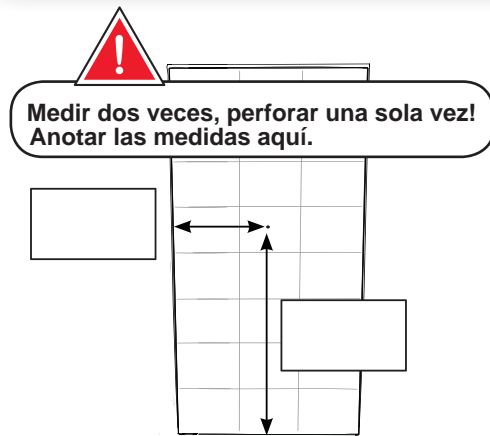
min. 3/16"
max. 3/8"



ETAPA 5 Instalación temporal de los muros laterales

Medir la distancia entre la cara del muro posterior y el centro de la válvula. Medir a continuación la distancia entre el umbral de la base y el centro de la válvula.

Pasar las medidas de la posición del hueco de la válvula y marcar sobre el muro lateral. Medir a partir de la parte inferior del muro y del lado de los pasadores de retracción. Repetir esta etapa para cada hueco de válvula.

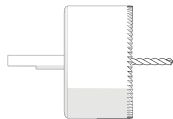


Perforar desde el frente los huecos para las válvulas: Hacer primero una pre perforación con una broca de 1/8". Usar una sierra de perforación para perforar el orificio de la válvula en el sitio marcado. Consultar la guía de instalación de la válvula para conocer el tamaño apropiado de la sierra de perforación.

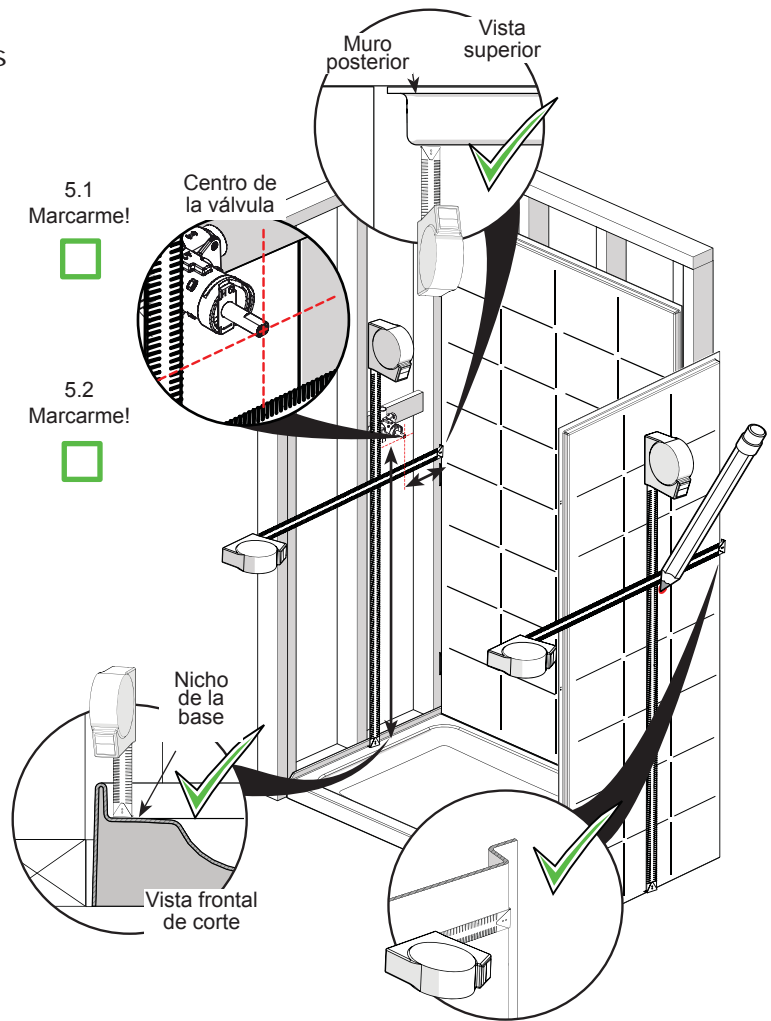
Consejo rápido



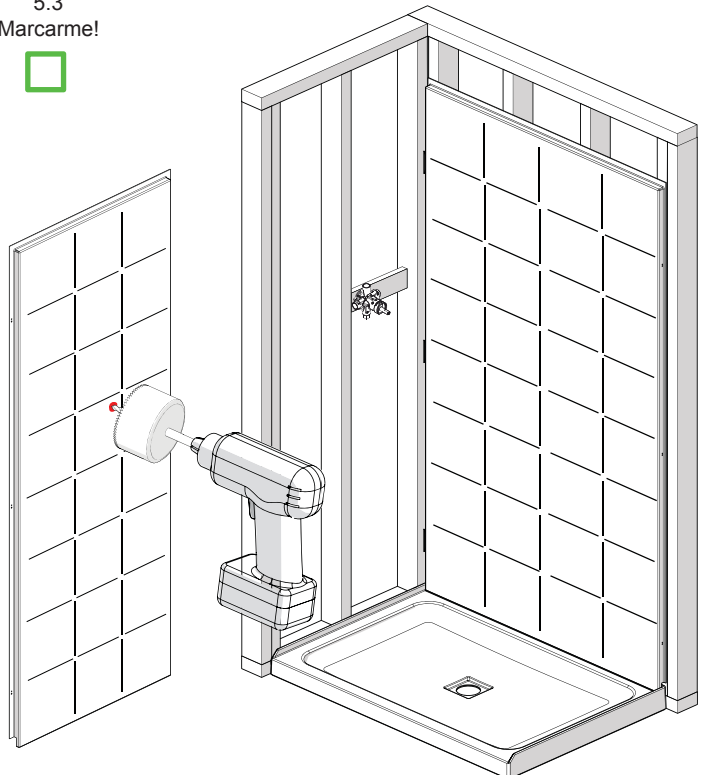
Las sierra de perforación pueden ser alquiladas en las ferreterías o en los locales de alquiler de herramientas.



Para una perforación segura: Pre-perforar siempre los agujeros y usar gafas de seguridad.



5.3 Marcarme!



ETAPA 5 Instalación temporal de los muros laterales (continuación)

Instalar el muro lateral (15) una vez los agujeros de la válvula han sido perforados. Coloque el muro aproximadamente 3 pulgadas por encima del umbral de la base, empujando con fuerza contra el muro posterior, a continuación, bajar el muro sobre el umbral de la base.



Es esencial que los pasadores estén completamente insertados en los sujetadores en X. No debe haber ningún espacio entre el muro lateral y el muro posterior.

Consejo rápido



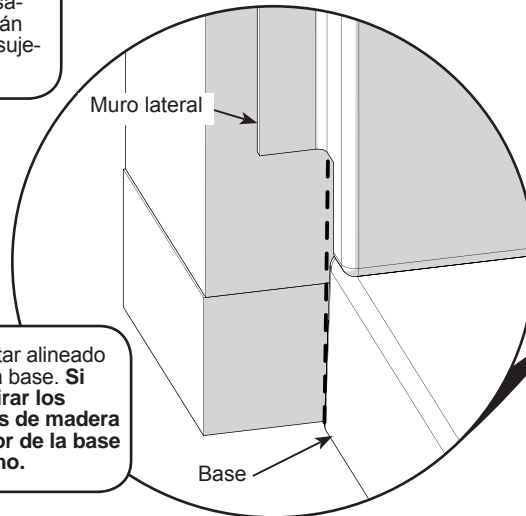
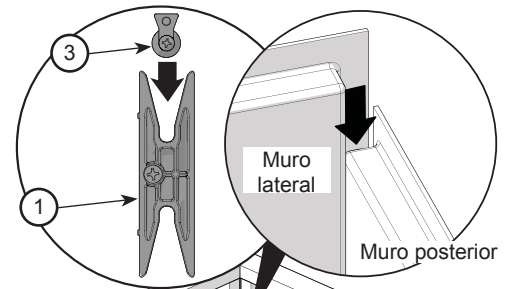
Comprobar la verticalidad de la pared lateral usando un nivel. Si la pared no es vertical, asegurarse que los pasadores de retracción están bien insertados en los sujetadores en forma de X.

Consejo rápido



El muro lateral debe estar alineado con la parte frontal de la base. Si este no es el caso, retirar los muros e insertar cuñas de madera entre el borde posterior de la base y la estructura del nicho.

5.4 Marcarme!



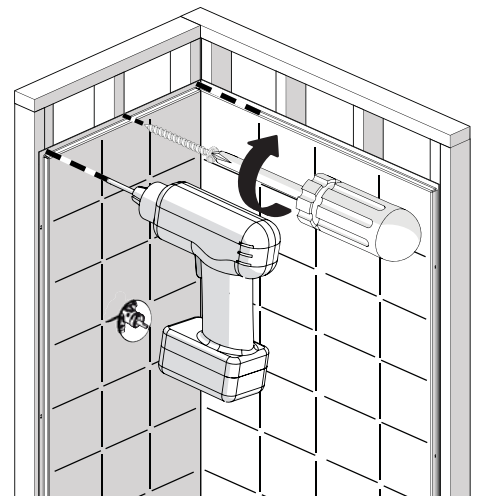
15

5.5 Marcarme!



Perforar los pre-agujeros de la brida del muro lateral solamente (15), con una broca de 1/8" alineando con cada montante. **No perforar los montantes.** Fijar el muro temporalmente a un montante usando un tornillo # 8 x 1 3/4" (no incluido).

IMPORTANTE: APRETAR A MANO ÚNICAMENTE! INSTALACIÓN TEMPORAL.



ETAPA 6 Instalación final del muro posterior

Retirar todos los muros de la estructura.

Limpiar la base y aplicar una línea de silicona en el umbral de la base a $3/8"$ de la brida trasera. Aplicar silicona sobre toda la longitud trasera y alrededor de 1 pulgada del lado donde se va a instalar el muro lateral.

Levantar y colocar en su lugar el muro posterior (sin deslizarlo) directamente sobre la silicona. Asegurarse que el muro posterior (14) está a nivel, agregar cuñas de madera en caso de ser necesario. Fijar el muro a todos los montantes con tornillos #8 x $1-3/4"$ (no incluidos).

IMPORTANTE: APRETAR A MANO ÚNICAMENTE! INSTALACIÓN TEMPORAL.



Para asegurar la instalación del muro lateral, debe haber un espacio mínimo de $3/16"$ y un máximo de $3/8"$ entre los montantes y los sujetadores en X.

Consejo rápido



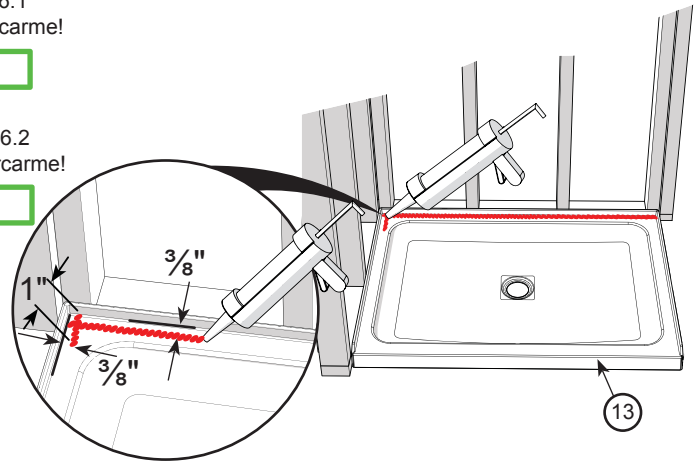
Empuje la parte inferior del muro contra los montantes con el pie en el momento de atornillar el muro en su lugar.

Sobre el lado de la base (13) aplicar una línea de silicona sobre toda la longitud del umbral, a $1/4"$ de la brida. Aplicar también una línea de silicona de arriba hasta abajo del muro posterior (14), sobre la superficie frontal y al borde redondeado. **En la unión entre el muro posterior y la base las líneas de silicona deben encontrarse.**

6.1 Marcarme!



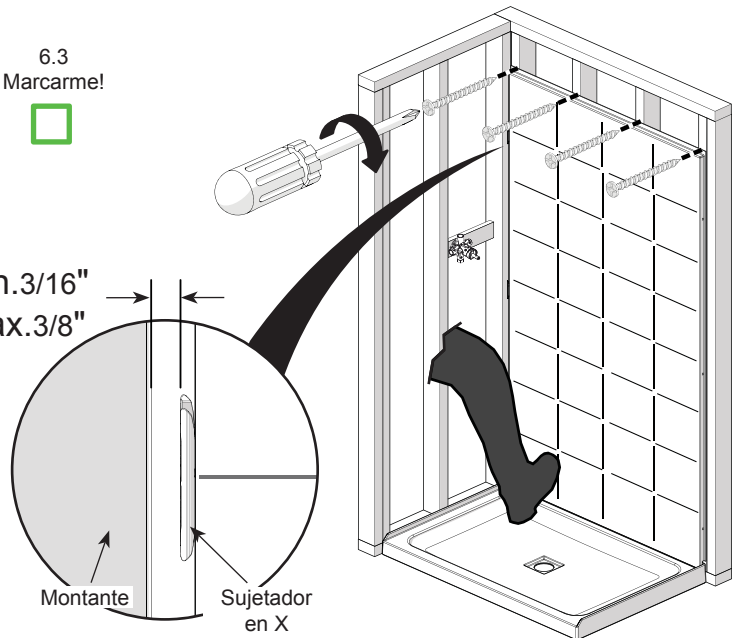
6.2 Marcarme!



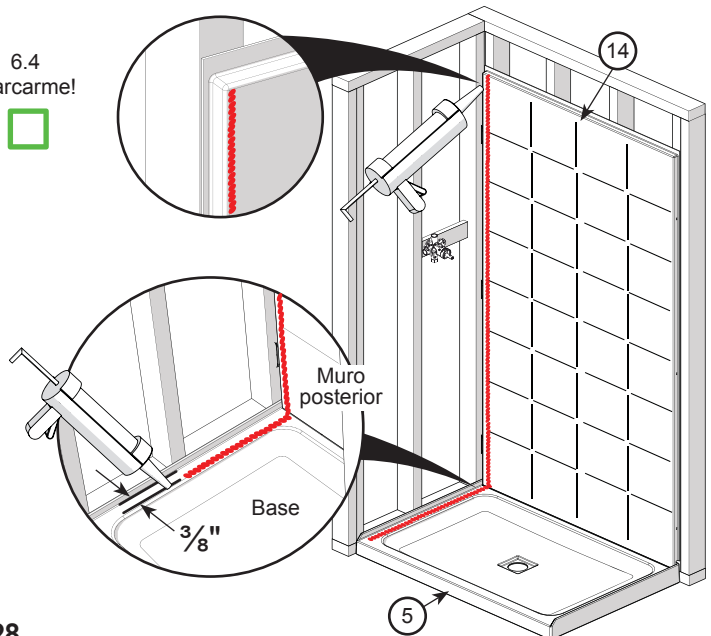
6.3 Marcarme!



min. $3/16"$
max. $3/8"$



6.4 Marcarme!

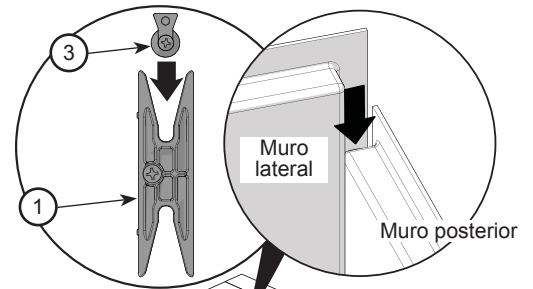


ETAPA 7 Instalación final de los muros laterales

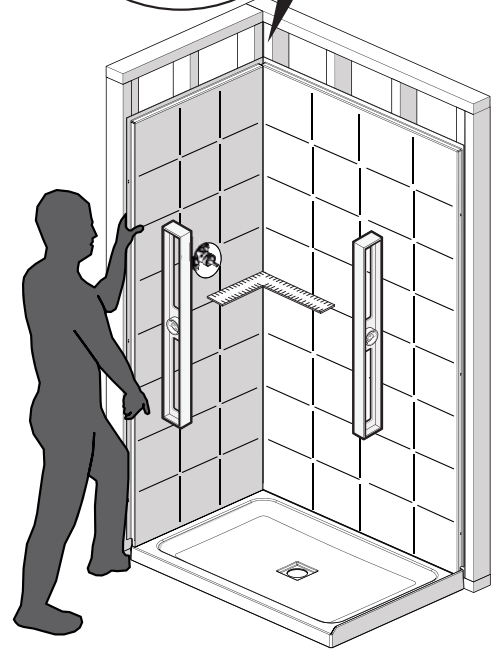
Instalar el muro lateral (15). Poner el muro a aproximadamente 3" por encima del umbral de la base, empujarlo a fondo contra el muro posterior y descenderlo sobre el umbral de la base.

RETIRAR EL EXCESO DE SILICONA.

7.1 Marcarme!



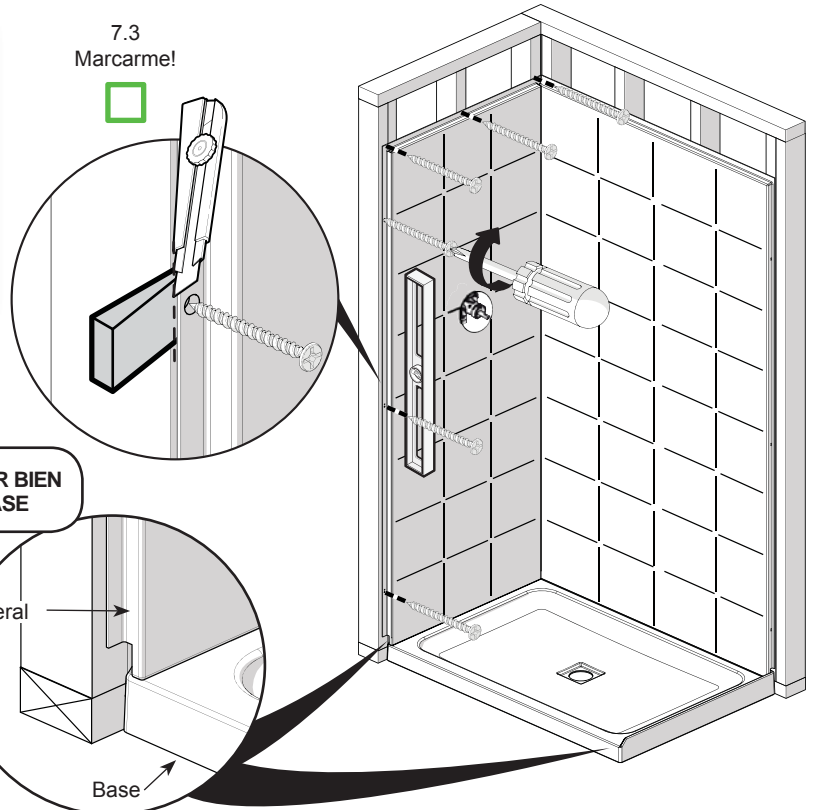
7.2 Marcarme!



Fijar el muro lateral a todos los montantes con tornillos #8 x 1-3/4" (no incluidos). Asegurar el muro utilizando los agujeros pre-perforados de la brida. En caso de ser necesario, usar cuñas de madera para asegurarse que el muro está a nivel y vertical. (Cortar el exceso de cuñas)

IMPORTANTE: APRETAR A MANO UNICAMENTE. NO APRETAR DEMASIADO LOS TORNILLOS.

7.3 Marcarme!



Consejo rápido



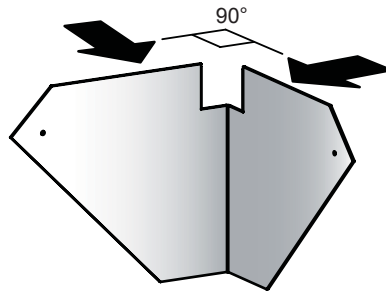
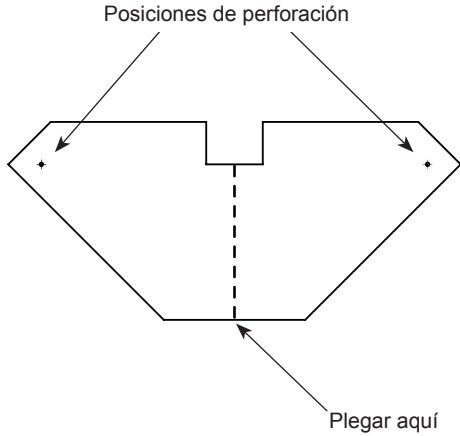
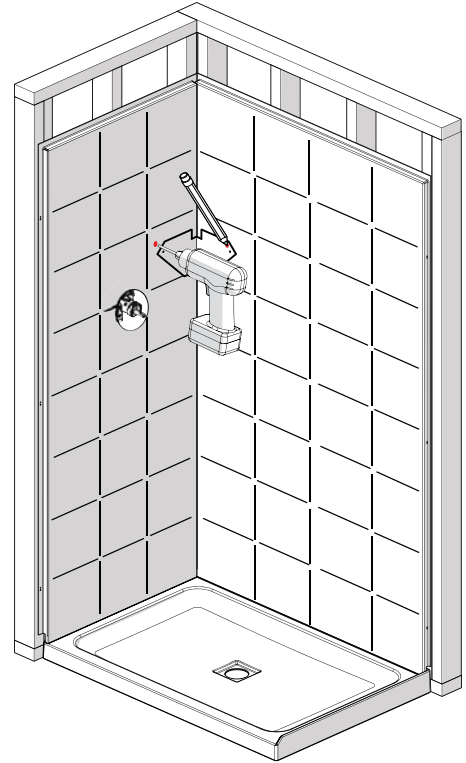
EL MURO LATERAL TIENE QUE ESTAR BIEN ALINEADO CON EL FRENTE DE LA BASE

ETAPA 8

Marcado y la perforación de agujeros para la repisa

Poner la plantilla de perforación en la esquina de la ducha, en la ubicación deseada. deslizar la plantilla hasta que los agujeros estén a la altura deseada para la repisa. Marcar la ubicación de los agujeros para perforación. Perforar los agujeros con una broca de 6/64".

Marcarme!



ETAPA 9

Silicona

Aplicar una línea de silicona sobre toda la longitud de las uniones (muro a muro y muro a base). Para un buen acabado, retirar el exceso de silicona con un trapo humedo o un dedo humedecido.

Marcarme!

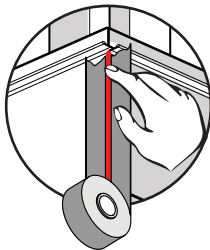


Retirar la película de protección de los muros

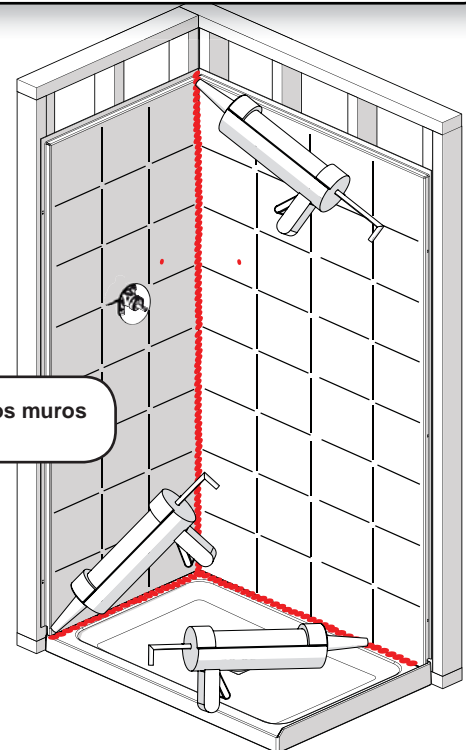
Consejo rápido



Aplicar cinta de enmascarar de cada lado de la unión donde la silicona será aplicada. Aplicar la silicona, emparejar con un dedo humedecido, a continuación retirar la cinta.

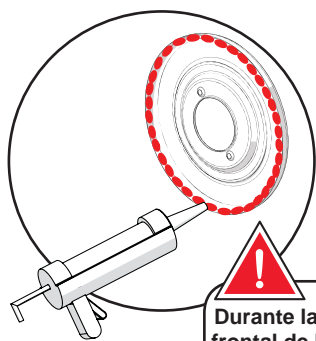


Toda grifería instalada sobre los muros debe ser sellada con silicona.



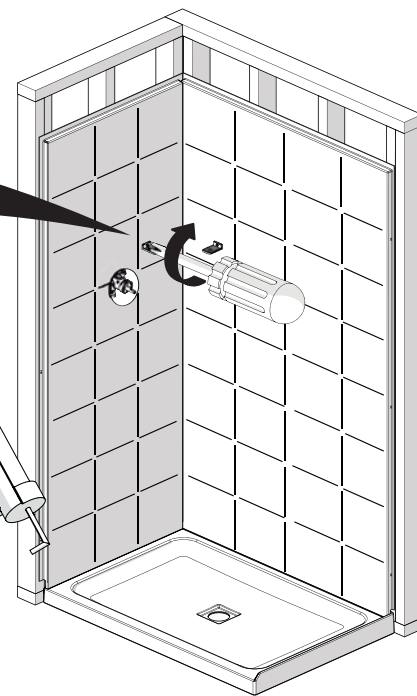
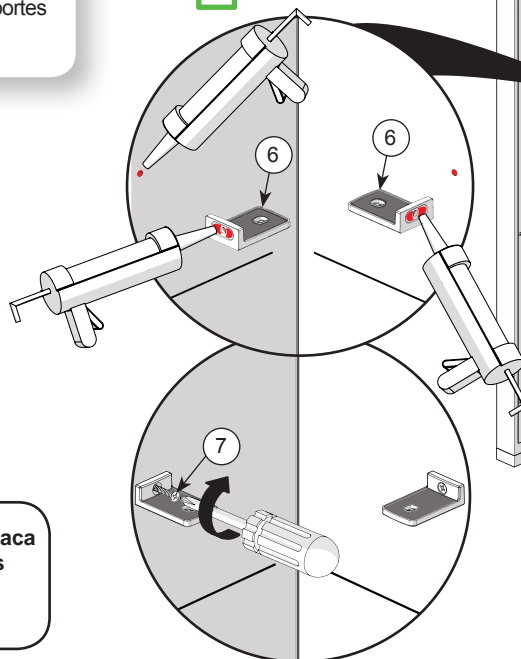
ETAPA 10 Instalación de la repisa

Aplicar silicona en los agujeros del muro lateral y del muro posterior que servirán para instalar la repisa. Aplicar silicona detras de los soportes de repisa (6). Fijar los soportes a los muros utilizando los tornillos suministrados (7).



Durante la instalación de la placa frontal de la válvula o de otros componentes, aplicar silicona en el borde exterior.

10.1 Marcarme!



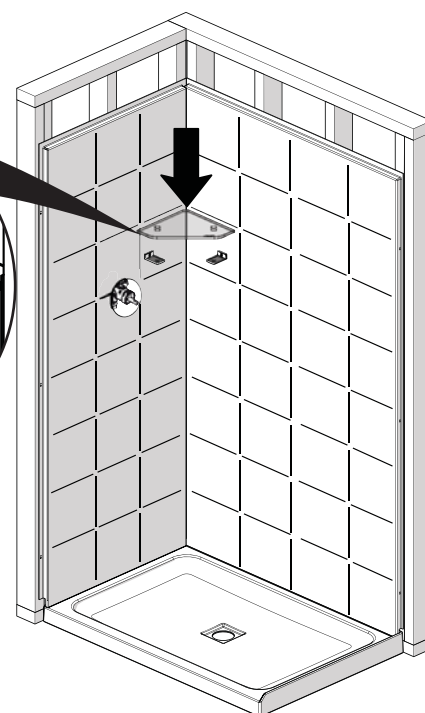
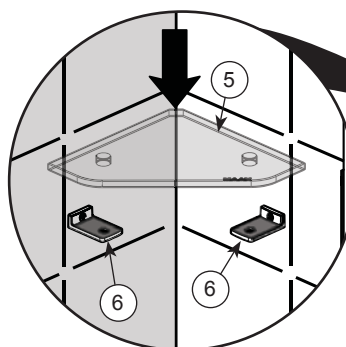
Limpiar la parte en caucho por encima de los soportes con un trapo humedo. Colocar a continuación la repisa (5) sobre los soportes (6).

Consejo rápido



La repisa esta en la posición correcta si es posible leer el logo de MAAX.

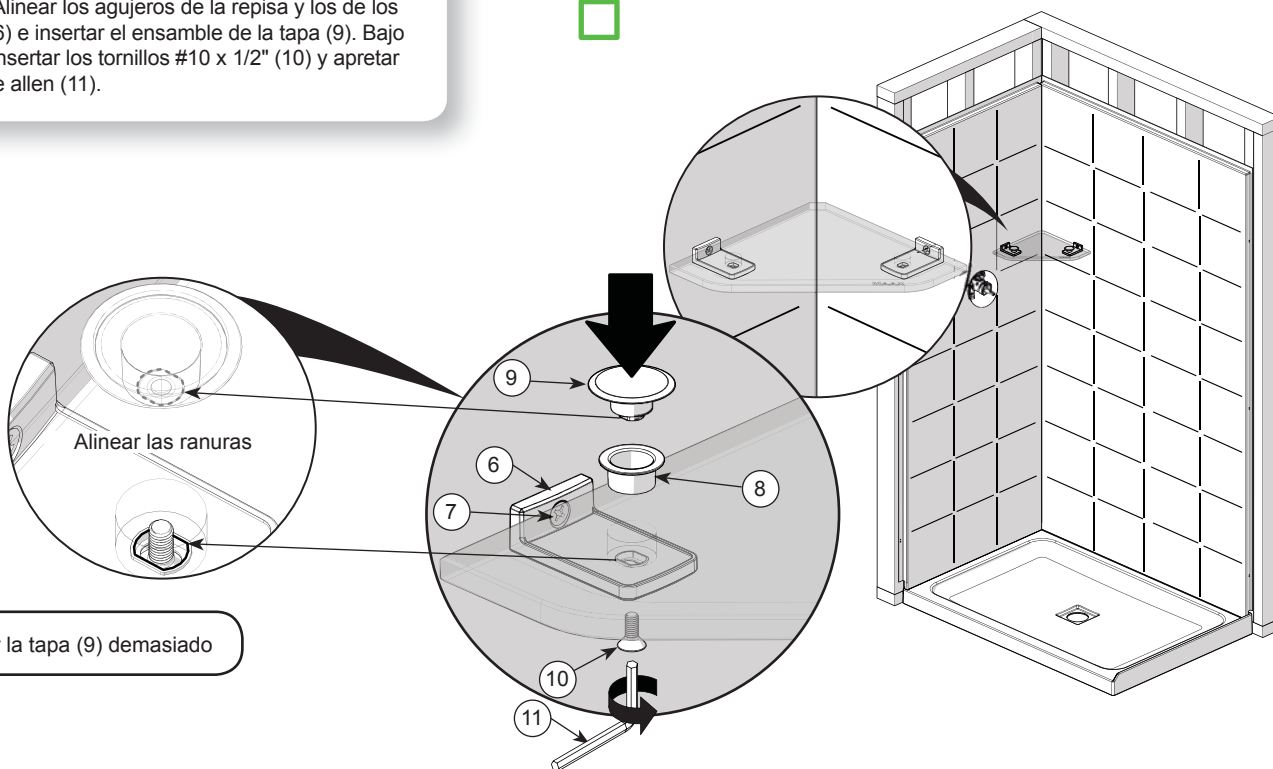
10.2 Marcarme!



ETAPA 10 Instalación de la tableta (continuación)

Insertar las tapas de la fijación de repisa (9) en las arandelas (8). Alinear los agujeros de la repisa y los de los soportes (6) e insertar el ensamble de la tapa (9). Bajo la repisa, insertar los tornillos #10 x 1/2" (10) y apretar con la llave allen (11).

10.3
Marcarme!



Alinear las ranuras

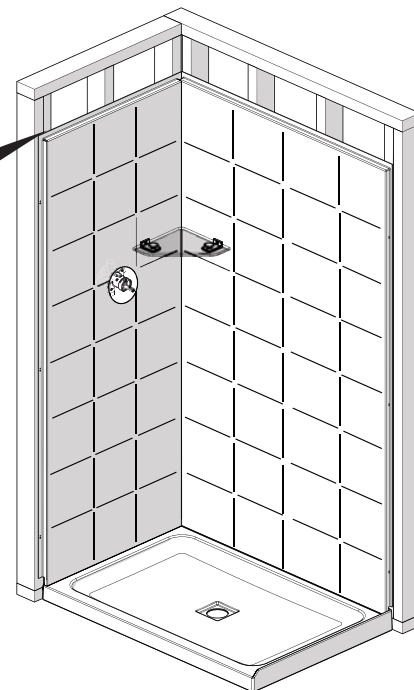
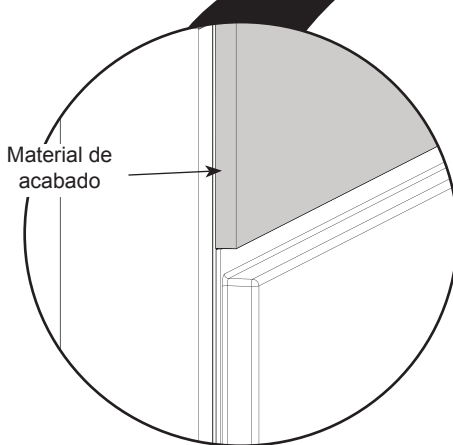
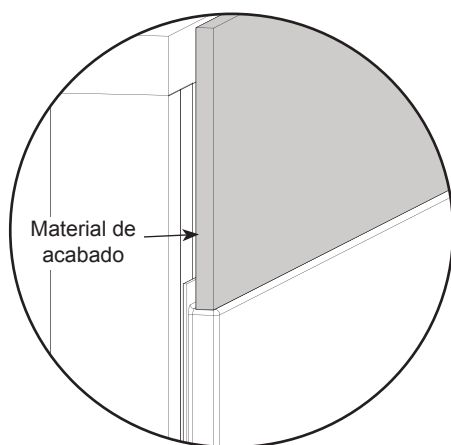


No apretar la tapa (9) demasiado

ETAPA 11 Acabado del muro

Para el acabado del muro, puede instalar su material de acabado sobre la parte superior de la brida o sobre el borde del muro, como se muestra.

Marcarme!



LIMITED WARRANTY

MAAX Bath Inc. (hereafter "MAAX") offers an express limited warranty on each of its products. This warranty extends only to the original owner/end-user for personal household use. For commercial uses, additional limitations apply.

MAAX warrants U tile wall units to be free of all material or workmanship defects under normal use and service for a period of ten (10) years from the initial date of purchase by the owner/end-user, contractor or builder from an authorized dealer.

This warranty extends to the original consumer owner, but does not cover installation or any other labour charges.

Except in the case of MAAX products with pre-plumbed fixtures, MAAX shall in no event be liable for damages of any kind when the installation of jets or any other fixtures related to the product is done by the customer or the customer appointed installer.

MAAX reserves the right to modify this warranty at any time, it being understood that such modification will not alter the warranty conditions applicable at the time of the sale of the products in question.

In order to obtain service provided under this warranty during regular business hours, contact the dealer or distributor who sold the unit, or MAAX directly.

For more information on MAAX's limited warranty, please visit www.maax.com.

GARANTÍA LIMITADA

MAAX Bath Inc. (a continuación "MAAX") ofrece un garantía limitada expresa para cada uno de sus productos. Esta garantía va dirigida únicamente al propietario o al usuario original para un uso personal doméstico. En caso de uso comercial, se aplican otras restricciones.

MAAX garantiza las unidades U tile contra cualquier defecto de material o de fabricación en condiciones normales de utilización y mantenimiento durante un periodo de diez (10) años a partir de la fecha de compra original del producto por parte del propietario o usuario, el contratista o el constructor en un comercio minorista autorizado.

La presente garantía se extiende al consumidor o usuario original, pero no se aplica a la instalación o a cualquier otro costo de mano de obra.

Salvo en el caso de productos de MAAX con accesorios de plomería pre-instalados, MAAX no será responsable bajo circunstancia alguna por ningún tipo de daño cuando la instalación de los chorros (jets) o de cualquier otro accesorio relacionado con el producto sea realizada por el cliente mismo o por un instalador designado por el cliente.

MAAX se reserva el derecho de modificar esta garantía en cualquier momento; se sobreentiende que dichas modificaciones no cambiarán las condiciones de la garantía que se apliquen en el momento de la venta de los productos en cuestión.

Para obtener el servicio que se ofrece según lo dispuesto en la presente garantía durante el horario de atención normal, deberá comunicarse con el comercio o distribuidor que le haya vendido el producto, o directamente con MAAX.

Para obtener mayor información sobre la garantía limitada de MAAX, consulte el sitio www.maax.com.

Vivez l'expérience
MAAX[®]
Enjoy the experience

Technical Services / Servicio técnico

T. 1 877 GET-MAAX (1 877 438-6229)

F. 1 888 361-2045

www.maax.com