
INSTALLATION INSTRUCTIONS

Original Issue Date: 12/11

Model: **RXT**

Market: **Residential/Light Commercial ATS**

Subject: **RXT Status Indicator Kit GM84662-KP1-QS**

Introduction

Status Indicator Kit GM84662-KP1-QS provides LEDs to indicate transfer switch status, including the following:

- Source Available:
 - Utility power (normal)
 - Generator (emergency)
- Transfer Switch Position:
 - Utility (utility power supplying the load)
 - Generator (standby generator supplying the load)

The status indicator kit is designed only for the Kohler Model RXT automatic transfer switch. It will not connect to or operate with any other ATS. The Model RXT transfer switch must be connected to a Kohler generator set equipped with the RDC2 or DC2 controller.

Read the entire installation procedure and compare the kit parts with the parts list at the end of this publication before beginning installation. Perform the steps in the order shown.

See Figure 1 for the installed kit illustration.

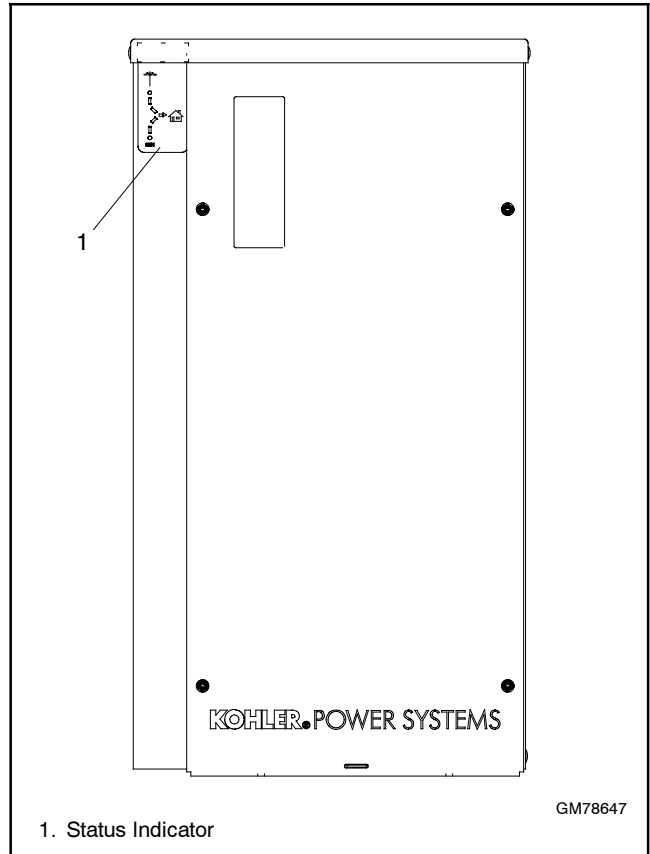
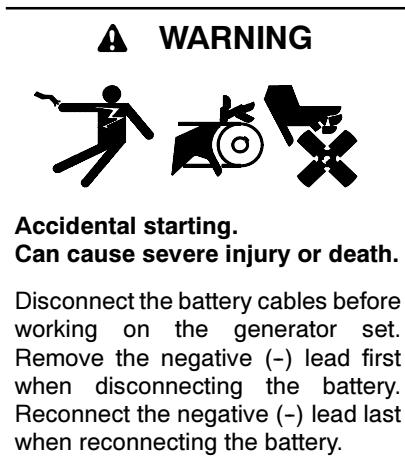


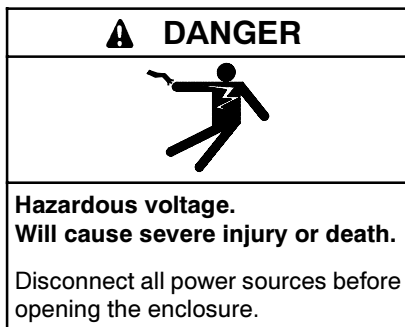
Figure 1 Installed Status Indicator (typical)

Safety Precautions

Observe the following safety precautions while installing the kit.



Disabling the generator set. Accidental starting can cause severe injury or death. Before working on the generator set or equipment connected to the set, disable the generator set as follows: (1) Press the generator set off/reset button to shut down the generator set. (2) Disconnect the power to the battery charger, if equipped. (3) Remove the battery cables, negative (-) lead first. Reconnect the negative (-) lead last when reconnecting the battery. Follow these precautions to prevent the starting of the generator set by the remote start/stop switch.



Installation Procedure

1. Press the OFF button on the generator set controller.
2. Disconnect power to the RDC2 or DC2 controller's built-in battery charger by disconnecting the utility power to the generator set.
3. Disconnect the generator set engine starting battery(ies), negative (-) lead first.
4. Disconnect utility power to the transfer switch (open the circuit breaker).
5. Remove the cover from the transfer switch enclosure.
6. Remove or cut the gray decal in the upper left corner of the enclosure to allow the status indicator's ribbon cable to pass through the opening. See Figure 2.

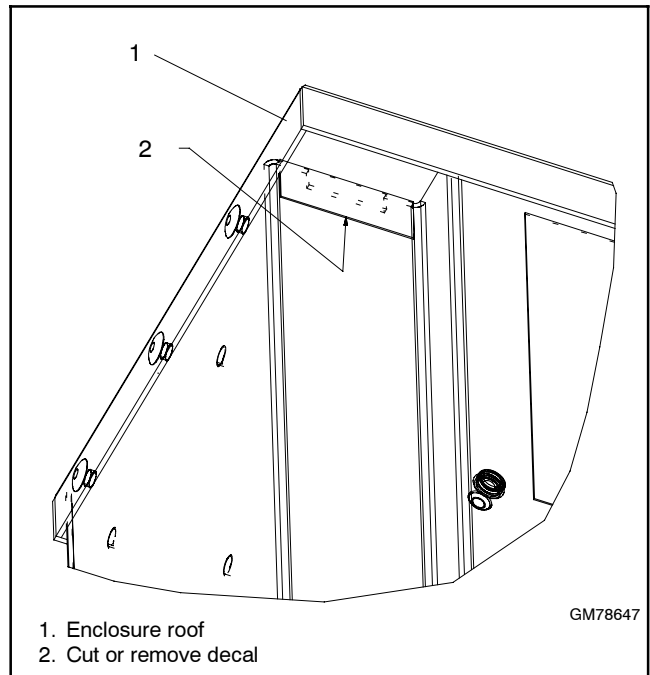


Figure 2 Ribbon Cable Opening Detail

7. Clean and dry the enclosure surface in the area where the status indicator GM78649 will be installed. See Figure 1 for the location.
8. Insert the status indicator's ribbon cable through the opening. Check that the indicator is facing the right direction. See Figure 3.
9. Remove the backing from the status indicator to expose the adhesive.

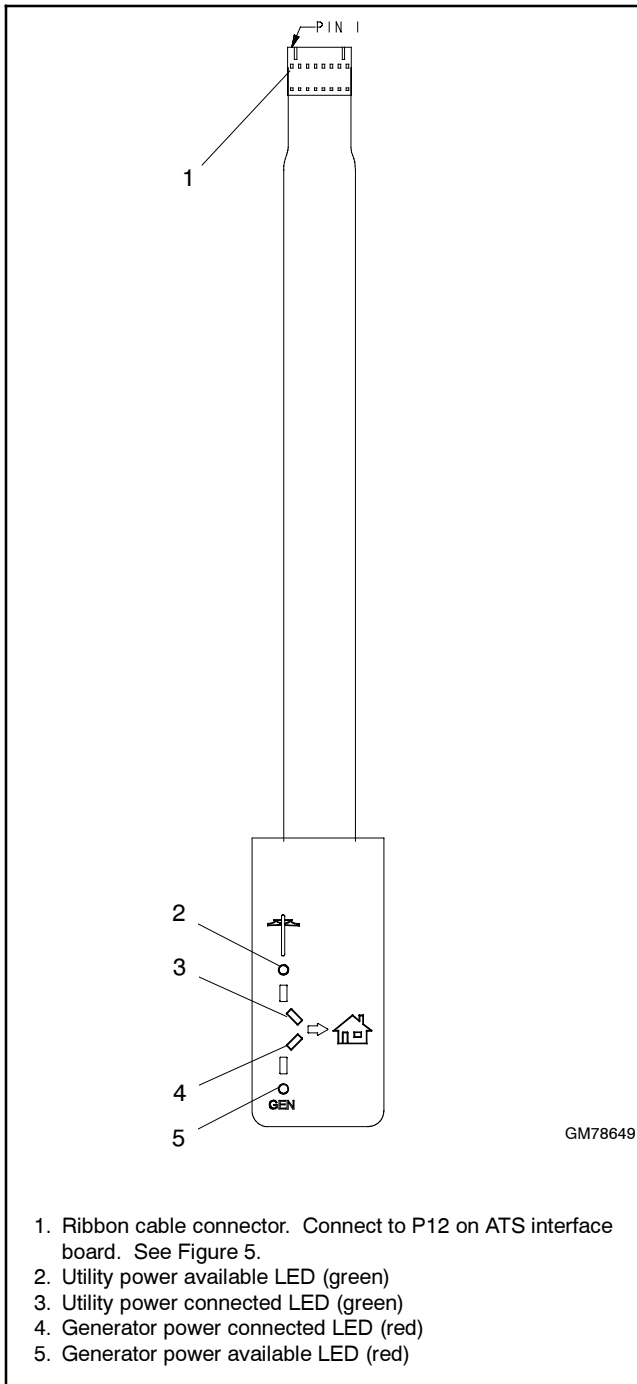


Figure 3 Status Indicator GM78649

10. Align the top edge of the indicator with the underside of the enclosure roof, and press the indicator firmly into place.
11. Plug the indicator's ribbon cable into connector P12 on the transfer switch's controller interface board. See Figure 5. Make sure that the connector clicks into place.
12. Reinstall the transfer switch cover.
13. Reconnect utility power to the transfer switch.
14. Reconnect the generator set engine starting battery, negative (-) lead last.
15. Reconnect utility power to the generator set.
16. Press the AUTO button on the generator set controller to place the system in automatic mode. Check the controller time and date, and reset if necessary.
17. Reset the exercise time on the controller. See the generator set operation manual for instructions.

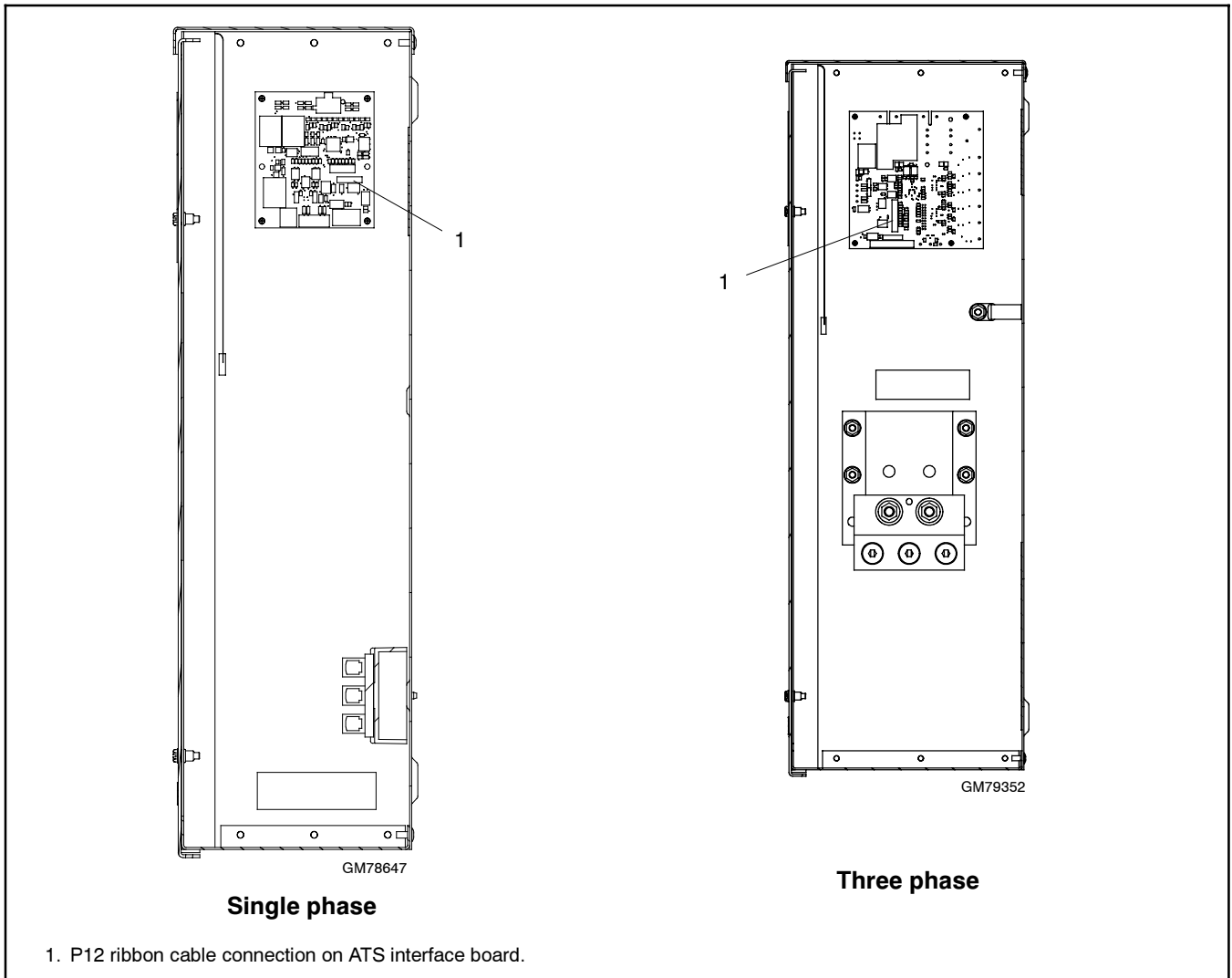
Operation

The LEDs on the status indicator operate as shown in Figure 4.

Note: Utility LEDs indicate the source connected to the Normal side of the transfer switch. Generator LEDs indicate the source connected to the Emergency side.

LED	Color	Operation
Utility available	Green	Lights to indicate that the utility source voltage and frequency are acceptable.
Utility connected	Green	Lights to indicate that the utility source is connected and providing power to the building.
Generator connected	Red	Lights to indicate that the generator is connected and providing power to the building.
Generator power available	Red	Lights to indicate that the generator voltage and frequency are acceptable.

Figure 4 Status Indicator LEDs



1. P12 ribbon cable connection on ATS interface board.

Figure 5 Ribbon Cable Connection to ATS Interface Board (typical single-phase and 3-phase models shown)

Parts List

Status Indicator Kit, RXT ATS

Kit: GM84662-KP1-QS		
Qty.	Description	Part Number
1	Decal, Membrane Status Indicator	GM78649
1	Installation Instructions	TT-1585