

# Installation Guide

## Bath with Airjets and Integral Apron

K-1112, K-1114, K-1160,  
K-1122, K-1124, K-1151,  
K-1244, K-1257, K-1357

**M** product numbers are for Mexico (i.e. K-12345**M**)  
Los números de productos seguidos de **M** corresponden a México  
(Ej. K-12345**M**)  
Français, page "Français-1"  
Español, página "Español-1"

THE BOLD LOOK  
OF **KOHLER**®

# Important Information

## Read all instructions before using or installing this product.



**WARNING:** When using electrical products, basic precautions should always be followed, including the following:



**DANGER: Risk of electric shock.** Connect only to a circuit protected by a ground-fault circuit-interrupter (GFCI) or residual current device (RCD). Grounding is required. The unit should be installed by a qualified service representative and grounded.



**WARNING: Risk of electric shock.** A licensed electrician must route all electrical wiring and connections for this product. Improper installation will create an electrical hazard and may not comply with local building and electrical codes.



**WARNING: Risk of electric shock.** Disconnect power before servicing.



**WARNING: Risk of injury or property damage.** Please read all instructions thoroughly before beginning installation, including the following requirements.



**WARNING: Risk of property damage.** Building materials and wiring should be routed away from the blower motor body and other heat-producing components of the unit.

**NOTICE:** Follow all local plumbing and electrical codes.

**NOTICE:** An access panel is required to service the pump/control. The access panel size must be a minimum of 20" (50.8 cm) in width, and 15" (38.1 cm) in height.

## Save these instructions.

### Product Information

#### Electrical Requirements



**WARNING: Risk of burns, fire, electric shock, or injury to persons.** Do not operate the pump if the pump supply cord is damaged. For proper guidance to have this product repaired, please call: 1-800-4-KOHLER from within the USA, 1-800-964-5590 from within Canada, or 001-877-680-1310 from within Mexico.

The installation must have a Class A Ground-Fault Circuit-Interrupter (GFCI) or Residual Current Device (RCD). The GFCI or RCD protects against line-to-ground shock hazard. Use a 120 V, 15 A, 60 Hz dedicated service for the bath with airjets.

#### Product Notices

**NOTICE:** Keep the area around the blower motor clean and free of debris. Ensure that the area around the blower motor is free of sawdust, insulation, dirt, or other small loose debris. Such material could clog the blower motor air ducts and reduce the air flow through the blower.

#### Factory-Assembled Features

Factory installed components include blower motor with power supply cord, check valve, air piping, user keypad, and keypad cable. Other than power wiring and plumbing, no assembly is needed.

## Product Information (cont.)

### Connections and Service Access

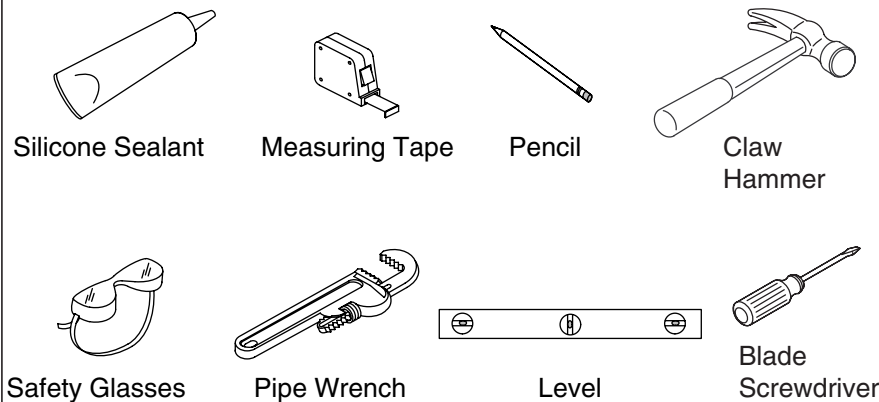
**NOTICE:** Provide unrestricted service access to the blower motor and check valve. The access must be located immediately next to the blower motor. Study the roughing-in information packed with the bath.

Before installation, ensure that there is proper access to the blower motor and final connections. If the blower motor is installed in an enclosed area, an access panel is required at the blower motor. This panel should be 18" (45.7 cm) wide and 14" (35.6 cm) high minimum.

### Table of Contents

Important Information	2
Product Information	2
Electrical Requirements	2
Product Notices	2
Factory-Assembled Features	2
Connections and Service Access	3
Tools and Materials	3
Before You Begin	4
Prepare the Site	5
Prepare the Site - Concrete Construction	6
Prepare the Bath with Airjets	6
Secure the Unit	7
Option Using a Cement or Mortar Bed	7
Option Using Construction Adhesive	7
Secure the Whirlpool	8
Install the Plumbing	8
Make Electrical Connections	9
Test Run the Bath with Airjets	10
Complete the Finished Wall	11
Removing the Apron Panel	11
Clean-Up After Installation	11
Confirm Proper Operation	12
Fill the Bath	12
Troubleshooting Procedure	14
Troubleshooting Guide	14

### Tools and Materials



#### Plus:

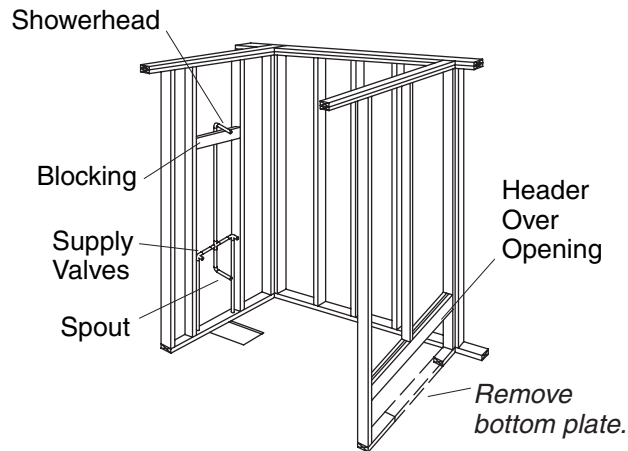
- Conventional Woodworking Tools and Materials
- Drop Cloth
- Construction Adhesive (Optional)
- Cement or Mortar (Optional)
- #6 Large-Head Galvanized Nails
- 2x4's or 2x6's

## Before You Begin

**NOTICE:** Do not lift the bath with airjets by the piping or blower motor, or use the piping or blower motor for structural support of the bath.

**NOTICE:** Do not lift the bath with airjets by the integral apron.

- We recommend this bath with airjets for alcove installation.
- Please read these instructions carefully to familiarize yourself with the required tools, material, and installation sequences. Follow the sections that pertain to your particular installation. This will help you avoid costly mistakes. In addition to installation instructions, read all operating and safety instructions.
- Inspect the bath with airjets for damage before you begin installation.
- You must install this bath to an adequately supported, level subfloor.
- Confirm adequate mounting and connection space for the faucet specified for your installation.
- An optional accessories kit is available for relocating the blower motor. Refer to the back cover for contact information if this kit is desired but was not ordered. If relocating the blower motor, follow the instructions that came with the kit while performing this installation.
- Kohler Co. reserves the right to make revisions in the design of products without notice, as specified in the Price Book.



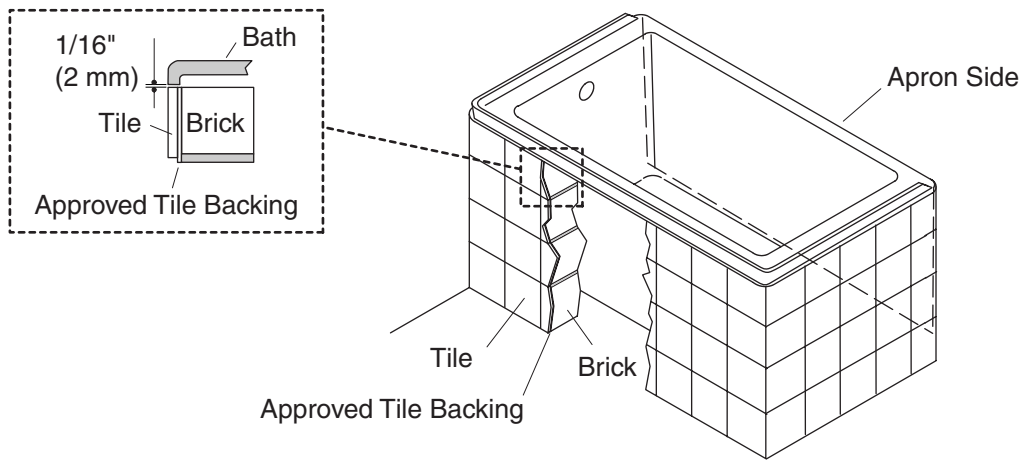
## 1. Prepare the Site

**NOTICE:** Do not support the bath by the rim.

**NOTICE:** Refer to the Roughing-in Guide packed with this product for proper minimum lbs/square foot (kg/square meter) floor support loading.

**NOTICE:** Provide adequate ventilation and a minimum of 15 cubic feet (.4 cubic meters) in the installed location for cooling the motor and to supply sufficient air for the blower. Do not install the blower motor closer than 1" (2.5 cm) from the wall or other objects.

- Make sure the floor offers adequate support for your bath, and verify that the subfloor is flat and level.
- Construct 2x4 or 2x6 stud framing designed for your particular installation.
- Install an access panel to allow the blower motor to be serviced.
- Position the plumbing according to the roughing-in information packed. Cap the supplies, and check for leaks.



## 2. Prepare the Site - Concrete Construction

**NOTICE:** Do not support the bath by the rim.

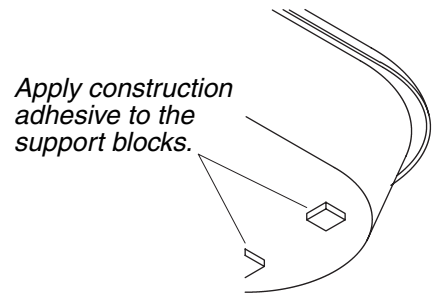
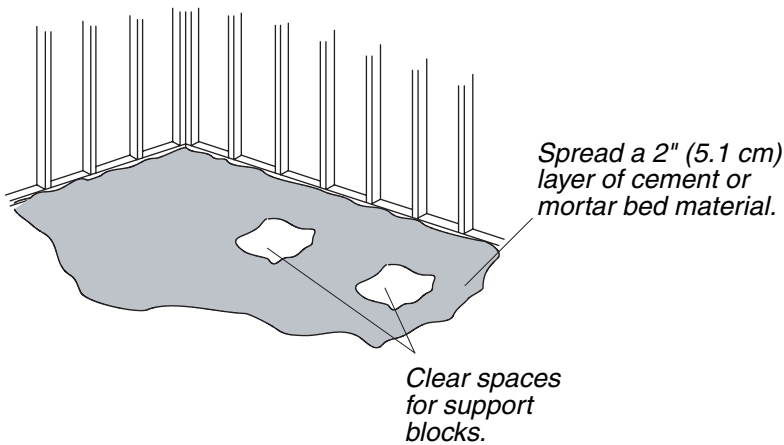
**NOTICE:** Refer to the Roughing-in Guide packed with this product for proper minimum lbs/square foot (kg/square meter) floor support loading.

**NOTICE:** Provide adequate ventilation and a minimum of 15 cubic feet (.4 cubic meters) in the installed location for cooling the motor and to supply sufficient air for the blower. Do not install the blower motor closer than 1" (2.5 cm) from the wall or other objects.

- Make sure the flooring offers adequate support for your bath, and verify that the subfloor is flat and level.
- Construct brick or concrete supports.
- Provide a 1/16" (2 mm) gap between the bath rim and the concrete or brick framing. Frame the floor, or construct a frame for a raised installation, in accordance with the roughing-in information packed with the bath.
- Position the plumbing according to the roughing-in information packed. Cap the supplies, and check for leaks.

## 3. Prepare the Bath with Airjets

- Install the drain to the bath according to the drain manufacturer's instructions. Do not connect the trap at this time.
- Position a clean drop cloth or similar material in the bottom of the bath to protect the finish. Be careful not to scratch the surface of the bath.



#### 4. Secure the Unit

**NOTICE:** Do not lift the bath with airjets by the air channels or blower motor, or use the piping or blower motor for structural support of the bath.

**NOTICE:** Do not support the bath by the rim.

- Choose the installation option that best applies to your particular installation. Follow the appropriate instructions.
- If the subfloor is not level, shim the bath support blocks as necessary.

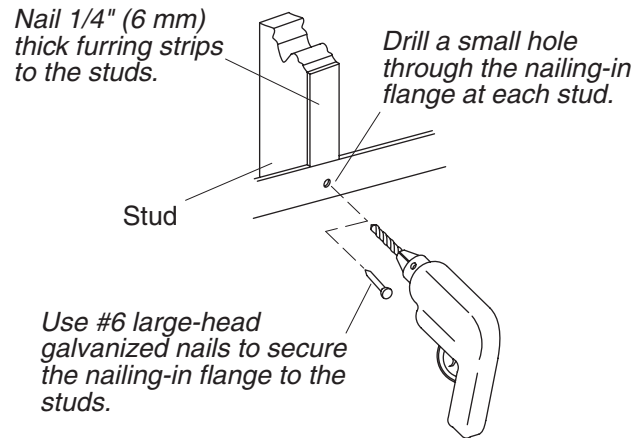
#### Option Using a Cement or Mortar Bed

**NOTICE:** Do not use gypsum cement or drywall compound for this application, as they will not provide an acceptable, durable bond.

- Spread a 2" (5.1 cm) thick layer of cement or mortar on the subfloor where the bath will be set. This will help secure, level, and support the unit. Clear all the material away from the support block locations.
- Position a piece of plastic drop cloth material on top of the cement or mortar bed.
- With help, carefully lift the bath into place, and make sure the support blocks do not rest in the bed material.
- Insert the drain tailpiece into the trap. Make sure the bath is level and resting on all support blocks.
- Remove the protective tape from the rim. Apply a continuous bead of high-quality silicone sealant around the entire rim of the bath.
- Allow the sealant to cure according to the manufacturer's instructions.

#### Option Using Construction Adhesive

- Apply a generous amount of high-quality construction adhesive to the bottom of the support blocks.
- With help, carefully lift the bath into position.
- Insert the drain tailpiece into the trap. Make sure the bath is level and resting on all support blocks.
- Remove the protective tape from the rim. Apply a continuous bead of high-quality silicone sealant around the entire rim of the bath.
- Allow the sealant to cure according to the manufacturer's instructions.



## 5. Secure the Whirlpool

### Wood Construction

- Drill a small pilot hole through the nailing-in flange at each stud. Add shims between the nailing-in flange and the studs as needed to eliminate gaps.
- Nail 1/4" (6 mm) thick furring strips to the studs to shim out to the edge of the nailing-in flange.
- Use #6 large-head galvanized nails to secure the nailing-in flange to the studs.

### Concrete Construction

**NOTE:** We recommend that the flange be secured to the wall for support.

- Drill pilot holes through the nailing-in flange so they are about 16" (40.6 cm) apart.
- Install concrete wall anchors to the wall at the pilot hole locations.
- Secure the nailing-in flange to the wall anchors with screws.

## 6. Install the Plumbing



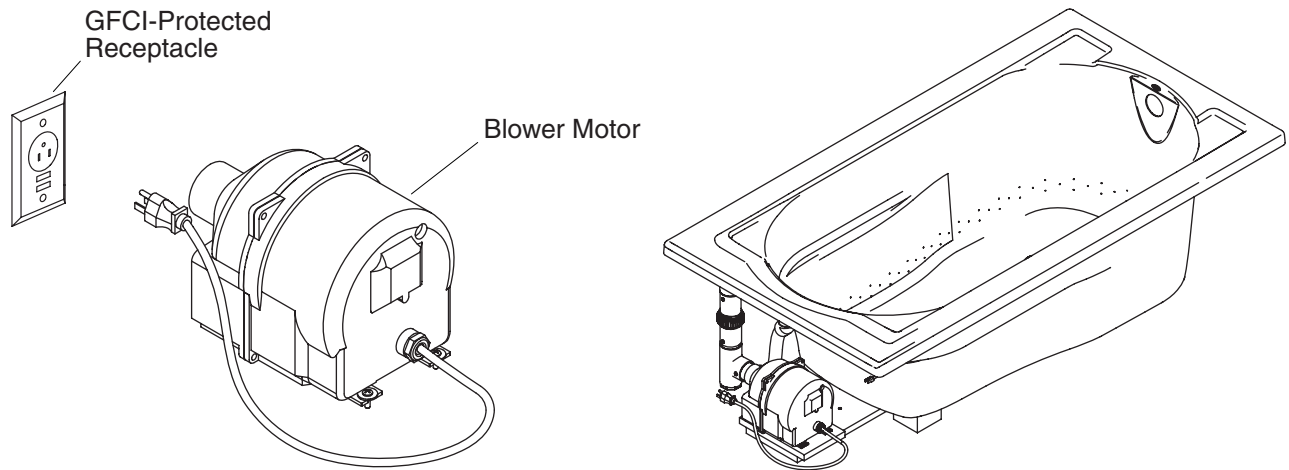
**WARNING: Risk of property damage.** Ensure a watertight seal on the bath drain.

- Connect the drain to the trap according to the drain manufacturer's instructions.

**NOTICE:** An access panel will simplify future maintenance.

- Install the faucet valving according to the faucet manufacturer's instructions. Do not install the faucet trim until instructed. Open the hot and cold water supplies, and check the supply connections for leakage.
- Run water into the bath, and check the drain connections for leakage.





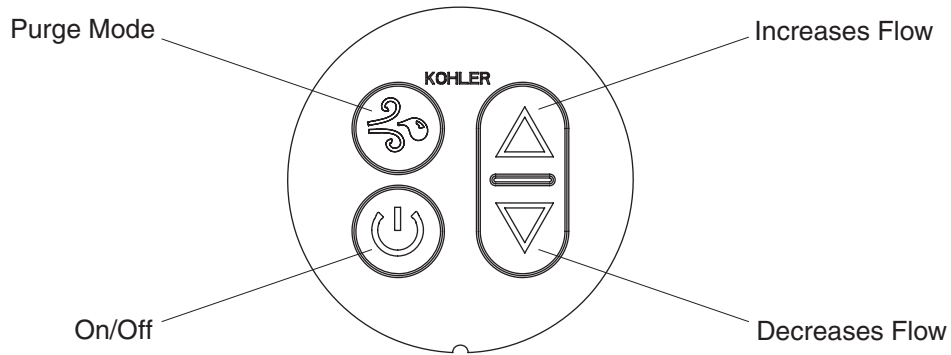
## 7. Make Electrical Connections



**DANGER: Risk of electric shock.** Connect the blower motor to a properly grounded, grounding-type receptacle protected by Ground-Fault Circuit-Interrupters (GFCI's) or Residual Current Devices (RCD's). Do not remove the plug grounding pins. Do not use grounding adapters.

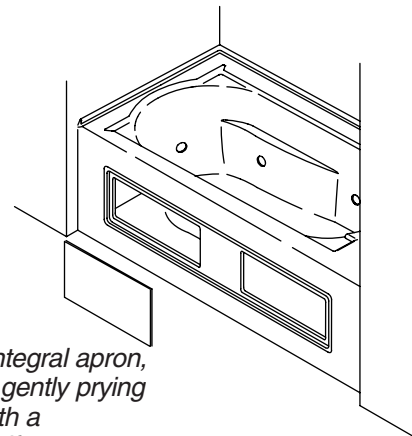
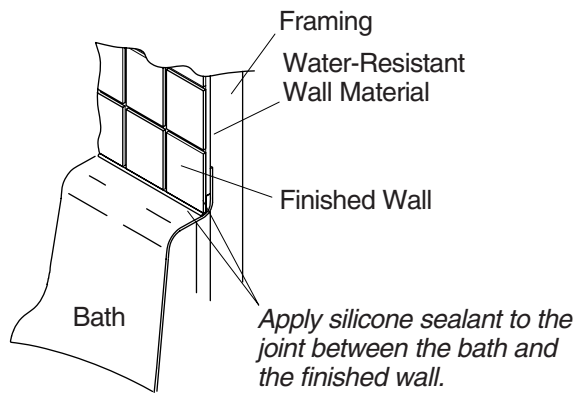
**NOTE:** The bath with airjets model number is printed on a label near the blower motor. This label also identifies the electrical rating.

- Your Kohler bath with airjets is equipped with a cord and plug. The blower motor has been wired at the factory. A licensed electrician must install a dedicated GFCI-protected, 120 V, 15 A, grounded outlet. Locate the outlet behind the bath and within 24" (61 cm) of the blower motor.
- Plug the blower motor into this outlet.
- Clean the area of all dust and debris.



## 8. Test Run the Bath with Airjets

- For information on unit operation, refer to the "Confirm Proper Operation" section.
- Check all electrical connections, and make sure the electrical power to the bath with airjets is on.
- Make sure all piping connections in the air harness are secure.
- Verify that the blower motor is secure.
- Temporarily remove the plastic drop cloth or other protective sheeting from the bath.
- Fill the bath to a level at least 2" (5.1 cm) above the top of the highest airjet.
- Check the drain piping for leaks. Repair any leaks.
- Operate the bath and check for air flow through the airjets. Check the air piping for air leaks.
- Stop the bath and drain the water.
- Return the plastic drop cloth or other protective sheeting to the bath.



## 9. Complete the Finished Wall

**NOTE:** Your bath with airjets has an integral apron. It is designed so the finished wall material [1-1/2" (3.8 cm) maximum] will overlap the apron columns. The finished floor material [2" (5 cm) maximum] should butt against the apron.

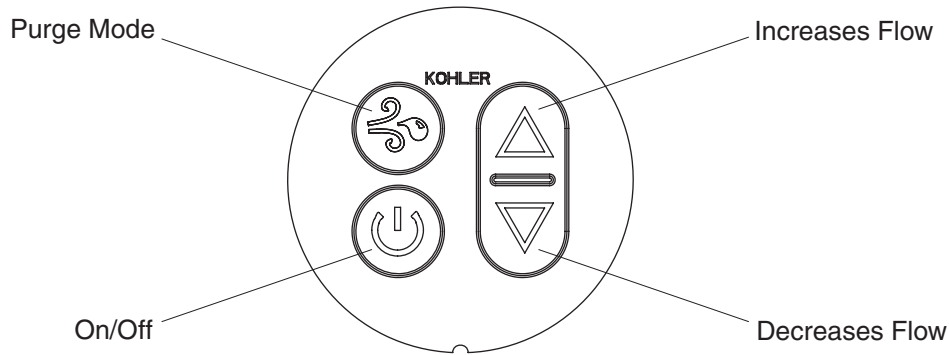
- If you have not already done so, carefully remove the protective tape from the bath rim.
- If necessary allow for deck-mounted valves and spout.
- Cover the bath framing with water-resistant wall material. Seal the joints between the rim edge and the water-resistant wall material with silicone sealant.
- Tape and mud the water-resistant wall material. Install the finished wall to the water-resistant wall material. Seal the joints between the bath rim and the finished wall material with silicone sealant.
- Install the faucet trim according to the trim manufacturer's instructions.

## 10. Removing the Apron Panel

- To remove the apron panel, insert the edge of a flat blade screwdriver or dull knife under the edge of the panel. Be careful not to scratch the visible surfaces. Gently pry up at one end. Carefully pull the apron panel off.
- To reinstall, bow the apron panel slightly so both ends can be inserted at the same time. Gently press in the center of the panel to secure it in place.

## 11. Clean-Up After Installation

- Clean the area around the blower motor of all dust and debris.
- Use warm water and a liquid detergent to clean the surface of the bath with airjets. **Do not use abrasive cleansers**, as they may scratch and dull the surface. **Do not use powdered cleaners unless the cleaner is fully dissolved in water.** Solid substances could block the airjets. **Do not use bleach or ammonia cleaning solutions.** Chemically active cleaning solutions can damage the bath surface. Refer to the homeowners guide for normal cleaning recommendations.



## 12. Confirm Proper Operation

### Fill the Bath

**NOTICE:** Ensure that the area around the blower motor is free of sawdust, insulation, dirt, or other small loose debris. Such material could clog the blower motor air ducts and reduce the air flow through the blower motor.

**NOTE:** Please read these steps carefully before you operate your bath with airjets. Troubleshoot any problems using the "Troubleshooting" section.

### Keypad Operation

- **On/Off** - Turns the blower motor on and off. Pressing the switch once starts the blower motor at a midrange speed. Pressing the button again stops the blower motor. The blower motor automatically stops after about 20 minutes of operation. The blower motor can be restarted by pressing the On/Off button.
- **Purge Mode** - Initiates the purge cycle manually. The purge cycle blows any residual water out of the air channels after the bath has been drained. Pressing the button once starts the blower motor at low-speed. The blower motor stops automatically after about two minutes. Pressing the button again before the cycle ends will stop the blower motor. Note that this product also has an automatic purge cycle, which initiates about 30 minutes after the blower has stopped.
- **Increases Flow** - Increases the air flow.
- **Decreases Flow** - Decreases the air flow.

### Preliminary Checks

- Temporarily remove all access panels.
- Verify that the union connection at the check valve is securely hand tightened.
- Verify that the screws are installed in the PVC air piping at the blower motor and at the check valve.
- Verify that cable ties support the air piping.
- Verify that the blower motor is secure.
- Verify that the keypad cable is securely connected at the user keypad and at the blower motor.
- Fill the bath to a level at least 2" (5 cm) above the top of the highest airjet.

### Confirm Air System Operation

### **Confirm Proper Operation (cont.)**

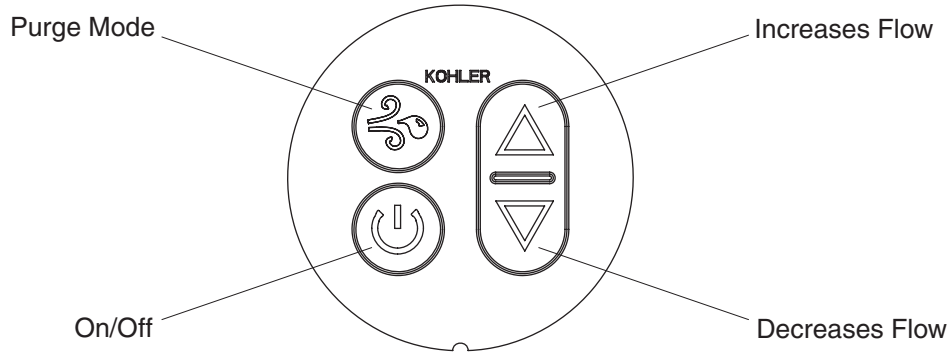
- Press the power button on the user keypad.
- Observe that the blower motor starts at a midrange speed.
- Observe that air is blowing through all of the airjets.
- Press the up button on the user keypad.
- Verify that the air flow increases.
- Press the down button on the user keypad.
- Verify that the air flow decreases.
- Press the power button on the keypad to stop the blower motor.

### **Confirm Manual Purge Operation**

- Drain the bath.
- When the bath has drained, press the purge button once.
- Observe that the blower motor starts at low speed and blows any residual water from the air channels.
- Observe that air comes out of the airjets.
- Verify that pressing the purge button again stops the blower motor.
- Press the purge button to restart the manual purge.
- Observe that the blower motor stops automatically after about two minutes.

### **Confirm Automatic Purge Operation**

- Press the power button.
- Press the power button again to turn off the blower. Note the time.
- If filled, drain the bath.
- Observe that the blower motor starts in the purge cycle after about 30 minutes.
- Observe that the blower motor stops automatically after about two minutes.



### 13. Troubleshooting Procedure

#### Troubleshooting Guide

This troubleshooting guide is for general aid only. A Kohler Authorized Service Representative or qualified electrician should correct any electrical problems. For warranty service, contact your dealer or wholesale distributor.

Symptoms	Probable Causes	Recommended Action
1. Bath with airjets does not start.	A. No power to blower motor.	A. Set/reset GFCI or ELCB breaker; check wiring.
	B. User keypad cable loose or damaged.	B. Check wire connections. If necessary, replace user keypad cable.
	C. User keypad does not work.	C. Check wire connections. Replace user keypad.
	D. Blower motor does not work.	D. Replace blower motor.
2. Blower motor starts, but there are few or no bubbles.	A. Blower motor is disconnected.	A. Connect blower motor to air harness.
	B. Blower motor air flow is restricted.	B. Clean the area around the blower motor. Ensure adequate ventilation.
3. Bath stops automatically before 18 minutes.	A. GFCI or ELCB trips.	A. Identify source of fault and correct.
	B. Motor overheated and protection device activated.	B. Check for blockage at motor vents. Remove blockage and allow motor to cool.
4. Bath does not stop automatically after 22 minutes.	A. Blower motor does not work.	A. Replace blower motor.
5. Blower motor does not stop when power button on user keypad is pressed.	A. User keypad cable loose or damaged.	A. Check wire connections. If necessary, replace user keypad cable.
	B. User keypad does not work.	B. Replace user keypad.
6. Blower motor operates but variable speed feature does not work.	A. User keypad cable loose or damaged.	A. Check wire connections. If necessary, replace user keypad cable.
	B. User keypad does not work.	B. Replace user keypad.
	C. Blower motor does not work.	C. Replace blower motor.

**Troubleshooting Procedure (cont.)**

<b>Symptoms</b>	<b>Probable Causes</b>	<b>Recommended Action</b>
7. Automatic purge cycle does not occur.	A. Blower motor does not work.	A. Replace blower motor.
8. Manual purge cycle does not work.	A. User keypad cable loose or damaged.	A. Check wire connections. If necessary, replace user keypad cable.
	B. User keypad does not work.	B. Replace user keypad.
	C. Blower motor does not work.	C. Replace blower motor.

# Guide d'installation

## Baignoire à jets d'air avec bandeau intégré

### Renseignements importants

#### Lire toutes les instructions avant d'utiliser ou d'installer ce produit.



**AVERTISSEMENT :** Lors de l'utilisation des produits électriques, des précautions de base devraient toujours être observées, incluant ce qui suit:



**DANGER : Risque d'électrocution.** Raccorder uniquement à une prise de terre protégée par un disjoncteur différentiel (GFCI) ou appareil de courant résiduel (RCD). Une mise à la terre est requise. L'unité doit être installée et mise à la terre par un électricien qualifié.



**AVERTISSEMENT : Risque d'électrocution.** Un électricien agréé doit effectuer tout le câblage électrique et les connexions pour ce produit. Une installation incorrecte créera un risque d'électrocution et pourrait ne pas être conforme aux codes locaux de bâtiment et électriques.



**AVERTISSEMENT : Risque d'électrocution.** Débrancher l'alimentation avant de procéder à l'entretien.



**AVERTISSEMENT : Risque de blessures ou d'endommagement du matériel.** Veuillez s'il vous plaît lire avec attention toutes les instructions avant de commencer l'installation, y compris les conditions suivantes:



**AVERTISSEMENT : Risque d'endommagement du matériel.** Les matériaux de construction et le câblage devraient être acheminés loin du corps du moteur-souffleur et des autres composants producteurs de chaleur.

**AVIS :** Respecter tous les codes de plomberie et électriques locaux.

**AVIS :** Un panneau d'accès est requis pour le service de la pompe/contrôle. La taille du panneau d'accès doit être à un minimum de 20" (50,8 cm) de largeur et 15" (38,1 cm) de hauteur.

### Conserver ces instructions.

#### Information sur le produit

##### Branchements électrique requis



**AVERTISSEMENT : Risque de brûlures, d'incendie, d'électrocution ou de blessures.** Ne pas opérer la pompe si le cordon d'alimentation de la pompe est endommagé. Pour une bonne assistance dans la réparation de ce produit, veuillez appeler: 1-800-4-KOHLER à partir des É.U., le 1-800-964-5590 à partir du Canada, ou le 001-877-680-1310 à partir du Mexique.

L'installation doit avoir un disjoncteur de fuite de terre de classe A (GFCI) ou appareil de courant résiduel (RCD). Le GFCI ou le RCD protège contre le risque d'électrocution par la mise à la terre. Utiliser une alimentation dédiée de 120 V, 15 A, 60 Hz pour la baignoire à jets d'air.



## Information sur le produit (cont.)

### Notices du produit

**AVIS :** Garder l'espace autour du moteur-souffleur propre et exempt de débris. S'assurer que l'espace autour du moteur-souffleur soit exempt de sciure, insulation, poussière, ou autres petits débris volatiles. De tels matériaux pourraient boucher les conduits d'air du moteur-souffleur et réduire le débit d'air à travers le souffleur.

### Pièces assemblées à l'usine

Les composants installés en usine comprennent le moteur-souffleur avec câble d'alimentation, valve clapet de non retour, conduits d'air, clavier d'utilisateur, et câble du clavier. Aucun montage n'est nécessaire excepté celui du câblage électrique et de la tuyauterie.

### Raccordements et accès pour l'entretien

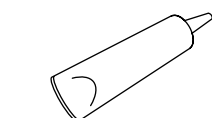
**AVIS :** Prévoir un accès total de service au moteur-souffleur et la valve clapet. Le panneau d'accès doit être placé juste à côté du moteur-souffleur. Etudier le plan de raccordement qui accompagne la baignoire.

Avant l'installation, s'assurer qu'il y ait un bon accès au moteur-souffleur et aux connexions. Si le moteur-souffleur est installé dans un espace fermé, un panneau d'accès au moteur-souffleur est requis. Ce panneau devrait être de 18" (45,7 cm) de large et de 14" (35,6 cm) de haut minimum.

## Sommaire

Renseignements importants	1
Information sur le produit	1
Branchements électrique requis	1
Notices du produit	2
Pièces assemblées à l'usine	2
Raccordements et accès pour l'entretien	2
Outils et matériels	3
Avant de commencer	3
Préparer le site	5
Préparer le site - Construction en béton	6
Préparer la baignoire à jets d'air	6
Sécuriser l'unité	7
Option pour utilisation de lit de ciment ou de mortier	7
Option pour l'utilisation de mastic adhésif de construction	7
Sécuriser la baignoire à jets d'air	8
Installer la plomberie	8
Faire les connexions électriques	9
Tester la baignoire à jets d'air	10
Compléter le mur fini	11
Retirer le panneau du bandeau	11
Nettoyage après installation	11
Confirmer la bonne opération	12
Remplir la baignoire	12
Procédure de dépannage	14
Guide de dépannage	14

## Outils et matériels



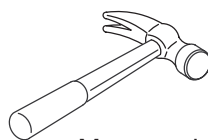
Joint en silicone



Mètre ruban



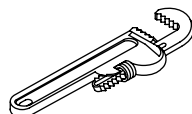
Crayon à papier



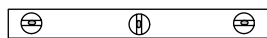
Marteau de charpentier



Lunettes de protection



Clé à griffes



Niveau à bulle



Tournevis plat

### Plus:

- Outils et matériels conventionnels pour le bois
- Chiffon
- Adhésif de construction (optionnel)
- Ciment ou mortier (optionnel)
- Clous galvanisés #6 à tête large
- 2x4 ou 2x6

## Avant de commencer

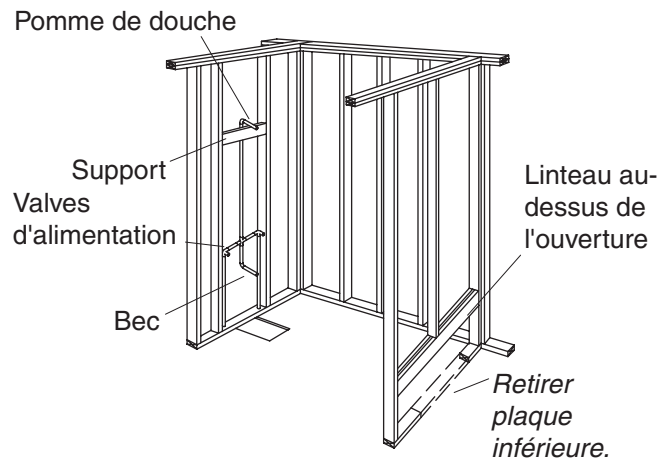
**AVIS :** Ne pas soulever la baignoire à jets d'air par les tuyaux ou le moteur-souffleur, ou utiliser ceux-ci comme support de la baignoire.

**AVIS :** Ne pas soulever la baignoire à jets d'air par le bandeau intégré.

- Nous recommandons cette baignoire à jets d'air pour une installation en alcôve.

### **Avant de commencer (cont.)**

- Veuillez lire avec attention ces instructions pour connaître les outils et matériels requis, ainsi que les étapes d'installation. Suivre les étapes qui s'appliquent particulièrement à votre installation. Ceci vous évitera des erreurs coûteuses. En plus d'instructions d'installation, lire toutes les instructions d'utilisation et de sécurité.
- Inspecter la baignoire à jets d'air pour déceler tout dommage avant de commencer l'installation.
- Cette baignoire doit être installée sur un support adéquat, et sur un sol nivelé.
- S'assurer que l'espace de montage et de raccordement du robinet soit adéquat pour l'installation.
- Un jeu d'accessoires optionnel est disponible pour relocaliser le moteur-souffleur. Consulter le dos de la couverture pour les coordonnées si le kit désiré n'a pas été commandé. Suivre les instructions incluses avec le kit lors de l'installation si le moteur-souffleur est relocalisé.
- Kohler Co. se réserve le droit d'apporter toutes modifications sur le design des produits et ceci sans préavis, tel que spécifié dans le catalogue des prix.



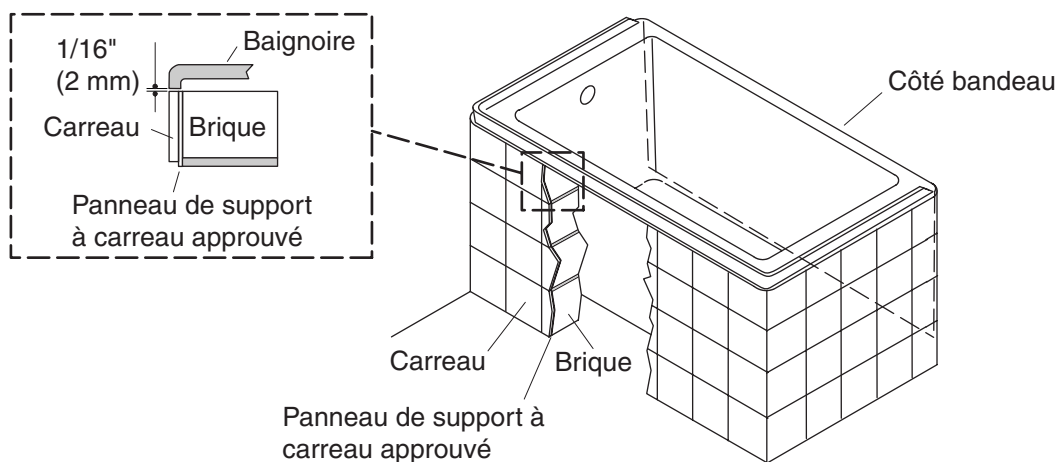
## 1. Préparer le site

**AVIS :** Ne pas soulever la baignoire par le rebord.

**AVIS :** Se référer au guide de raccordement emballé avec ce produit pour une charge de support minimum adéquate en lbs/pied carré (kg/mètre carré).

**AVIS :** Fournir une ventilation adéquate et un minimum de 15 pieds cube (.4 m<sup>3</sup>) à l'endroit d'installation pour le refroidissement du moteur et pour alimenter assez d'air au souffleur. Ne pas installer le moteur-souffleur plus près que 1" (2,5 cm) du mur ou d'autres objets.

- S'assurer que le plancher constitue un support adéquat pour votre baignoire et vérifier que le sol soit plat et nivelé.
- Construire un cadre avec des montants de 2x4 ou de 2x6 pour votre installation particulière.
- Installer un panneau d'accès pour l'entretien du moteur-souffleur.
- Déterminer l'emplacement de la plomberie selon le plan de raccordement fourni. Boucher les alimentations et vérifier s'il y a des fuites.



## 2. Préparer le site - Construction en béton

**AVIS :** Ne pas soulever la baignoire par le rebord.

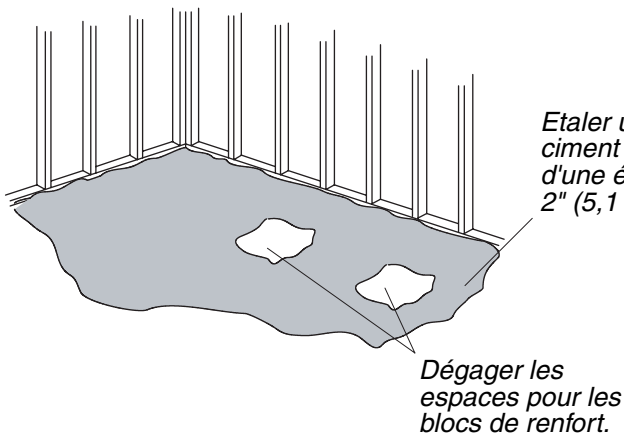
**AVIS :** Se référer au guide de raccordement emballé avec ce produit pour une charge de support minimum adéquate en lbs/pied carré (kg/mètre carré).

**AVIS :** Fournir une ventilation adéquate et un minimum de 15 pieds cube (0,4 m<sup>3</sup>) à l'endroit d'installation pour le refroidissement du moteur et pour alimenter assez d'air au souffleur. Ne pas installer le moteur-souffleur plus près que 1" (2,5 cm) du mur ou d'autres objets.

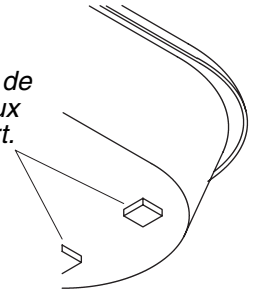
- S'assurer que le podium constitue un support adéquat pour votre baignoire et que le fond soit plat et nivelé.
- Construire des supports en brique ou béton.
- Laisser un espace de 1/16" (2 mm) entre le rebord de la baignoire et le cadre en brique ou en béton. Préparer le plancher ou construire un cadre pour une installation élevée, selon le plan de raccordement fourni avec la baignoire.
- Déterminer l'emplacement de la plomberie selon le plan de raccordement fourni. Boucher les alimentations et vérifier s'il y a des fuites.

## 3. Préparer la baignoire à jets d'air

- Installer le drain à la baignoire selon les instructions du fabricant du drain. Ne pas connecter le siphon à ce moment.
- Placer une bâche propre ou matière similaire au fond de la baignoire pour protéger la finition. Faire attention de ne pas rayer la surface de la baignoire.



Appliquer du mastic adhésif de construction aux blocs de renfort.



#### 4. Sécuriser l'unité

**AVIS :** Ne pas soulever la baignoire à jets d'air par les conduits d'air ou le moteur-souffleur, ou utiliser la tuyauterie ou moteur-souffleur comme support de la baignoire.

**AVIS :** Ne pas soulever la baignoire par le rebord.

- Choisir l'option d'installation qui s'applique le mieux à votre installation. Suivre les instructions correspondantes.
- Si le fond n'est pas nivelé, caler les blocs de renfort de la baignoire si nécessaire.

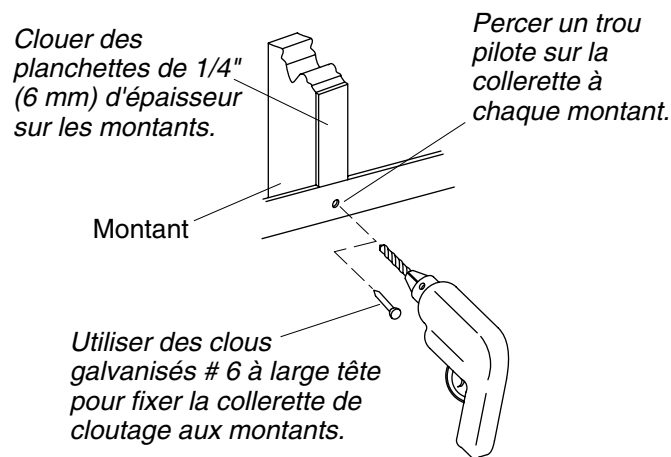
#### Option pour utilisation de lit de ciment ou de mortier

**REMARQUE :** Ne pas utiliser de plâtre ou un mélange pour cloison sèche pour cette installation, car ces produits ne fourniront pas un scellement acceptable, et durable.

- Étendre une couche de ciment ou mortier de 2" (5 cm) d'épaisseur sur le plancher à l'endroit d'installation de la baignoire. Ceci aidera à la fixation, mise à niveau et au support de l'appareil. Dégager tout matériel se trouvant autour des blocs de renfort.
- Placer une bâche de plastique sur le lit de ciment ou de mortier.
- Avec de l'assistance, soulever et mettre délicatement la baignoire en place et s'assurer que les blocs de renforts ne reposent pas dans le lit de ciment ou de mortier.
- Introduire l'about du drain dans la trappe. S'assurer que la baignoire soit nivelée et qu'elle s'appuie sur tous les blocs de renforts.
- Retirer la pellicule protectrice du rebord. Appliquer du mastic à la silicone de haute qualité tout autour du rebord de la baignoire.
- Laisser prendre le mastic selon la notice du fabricant.

#### Option pour l'utilisation de mastic adhésif de construction

- Appliquer un adhésif de construction de haute qualité à la base des blocs de support.
- Avec de l'aide, mettre la baignoire en place avec précaution.
- Introduire l'about du drain dans le siphon. S'assurer que l'unité soit nivelée et qu'elle s'appuie sur les blocs de support.
- Retirer la pellicule protectrice du rebord. Appliquer un lit continu de silicone de haute qualité autour du rebord de la baignoire.
- Laisser durcir le joint d'étanchéité avant de continuer, selon les instructions du fabricant.



## 5. Sécuriser la baignoire à jets d'air

### Construction en bois

- Percer un petit trou-pilote dans la bride cloutage de chaque montant. Placer des câles entre la bride de cloutage et les montants, au besoin, pour éliminer les espaces.
- Clouer des planchettes de 1/4" (6 mm) sur les montants de façon à ce qu'elles soient en contact avec la collerette.
- Utiliser des clous galvanisés #6 à tête large pour sécuriser la bride aux montants.

### Construction en béton

**REMARQUE :** Il est conseillé de fixer la bride au mur pour plus de support.

- Percer des trous-pilotes sur la bride de clouage pour qu'ils soient à environ 16" (40,6 cm) de distance l'un de l'autre.
- Installer les dispositifs d'ancrage pour béton sur les emplacements des trous-pilotes.
- Fixer la bride sur les dispositifs d'ancrage muraux avec des vis.

## 6. Installer la plomberie

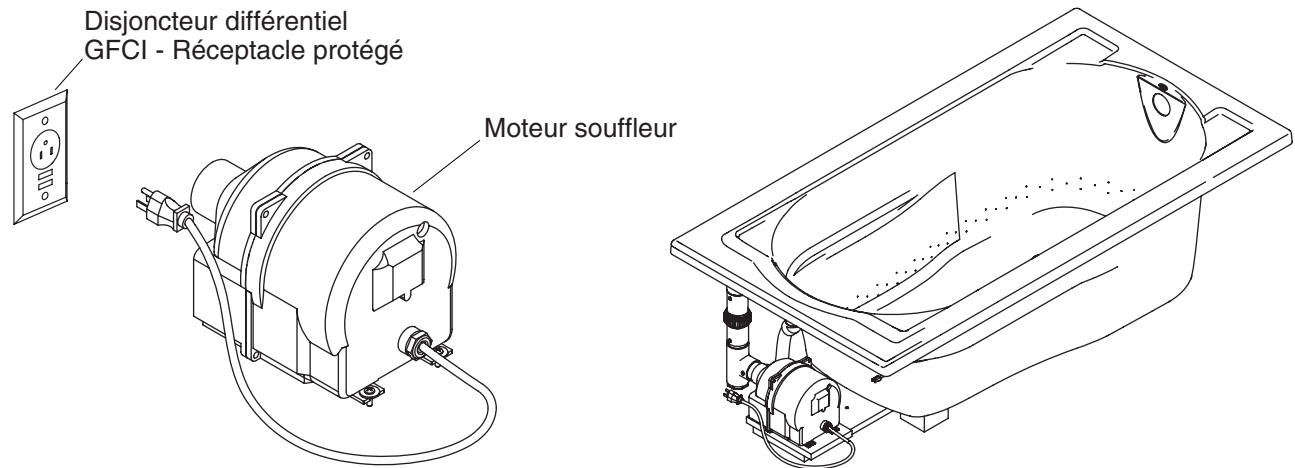


**AVERTISSEMENT : Risque d'endommagement du matériel.** Assurer un joint étanche sur les raccords du drain de la baignoire.

- Connecter le drain au siphon selon les instructions du fabricant.

**AVIS :** Un panneau d'accès facilitera une maintenance future.

- Installer les valves du robinet conformément aux instructions du fabricant. Ne pas installer la garniture du robinet avant l'instruction de le faire. Ouvrir les alimentations d'eau chaude et froide et vérifier qu'il n'y ait pas de fuites.
- Laisser couler l'eau dans la baignoire et vérifier si il y a des fuites dans les raccords du drain.



## 7. Faire les connexions électriques

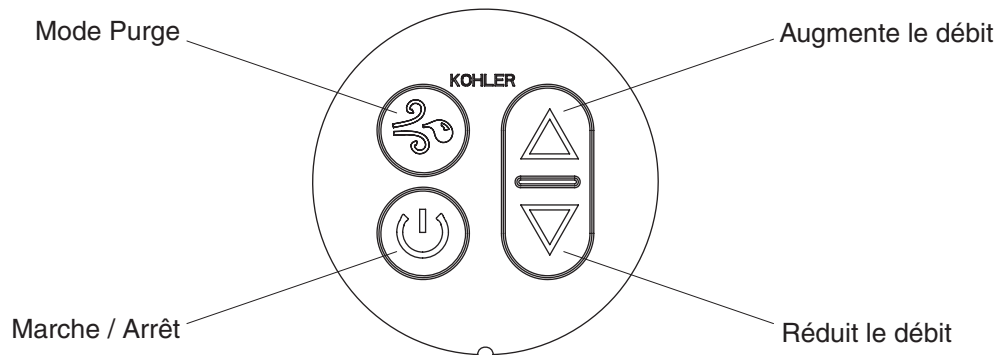


**DANGER : Risque d'électrocution.** Connecter le moteur-souffleur à une prise de terre, protégée par un disjoncteur différentiel (GFCI's) ou appareil de courant résiduel (RCD's). Ne pas retirer les broches de mise à la terre. Ne pas utiliser d'adaptateurs de mise à la terre.

**REMARQUE :** Le numéro de modèle de la baignoire à jets d'air est imprimé sur une étiquette près du moteur-souffleur. Cette étiquette identifie aussi le calibrage électrique.

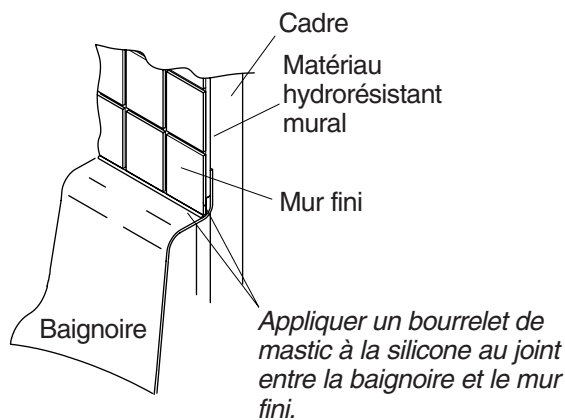
- Votre baignoire à jets d'air Kohler est dotée d'une fiche et d'un cordon d'alimentation. Le moteur-souffleur a été précablé en usine. Un électricien agréé doit installer une prise à la terre, protégée par un disjoncteur de fuite à la terre de 120 V, 15 A. Localiser la prise de courant derrière la baignoire, et dans les 24" (61 cm) du moteur-souffleur.
- Raccorder le cordon d'alimentation du moteur-souffleur à cette prise.
- Nettoyer la surface de toute poussière et tous débris.



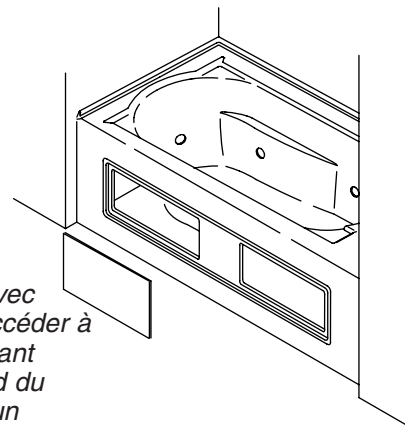


## 8. Tester la baignoire à jets d'air

- Pour toute information sur l'opération de l'unité, consulter la section "Confirmer une bonne opération".
- Contrôler tous les raccordements électriques, et s'assurer que l'alimentation électrique à la baignoire à jets d'air soit en circuit.
- S'assurer que toutes les connexions du harnais d'air soient sécurisées.
- Vérifier que le moteur-souffleur soit sécurisé.
- Retirer temporairement la bâche de plastique ou autre couverture de protection de la baignoire.
- Remplir la baignoire à un niveau d'eau au moins 2" (5,1 cm) au-dessus du jet d'air le plus élevé.
- Vérifier s'il y a des fuites dans les conduits du drain. Réparer toutes les fuites.
- Démarrer la baignoire et vérifier le débit d'air à travers les jets. Vérifier s'il y a des fuites dans les conduits d'air.
- Arrêter la baignoire et vider l'eau.
- Replacer temporairement la bâche de plastique ou autre couverture de protection sur la baignoire.



*Pour les modèles avec bandeau intégré, accéder à la pompe en soulevant délicatement le bord du bandeau à l'aide d'un tournevis plat pour le retirer.*



## 9. Compléter le mur fini

**REMARQUE :** La baignoire à jets d'air a un bandeau intégré. Il est conçu pour que le mur fini [1-1/2" (3.8 cm) maximum] dépasse des colonnes du bandeau. Le mur fini [2" (5 cm) maximum] devrait butter contre le bandeau.

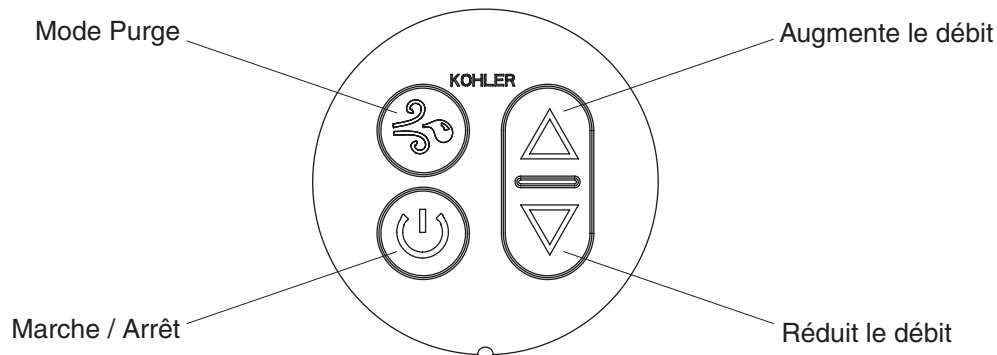
- Si cela n'a pas déjà été fait, retirer soigneusement la pellicule de protection du rebord de la baignoire.
- Si nécessaire prévoir de l'espace pour la pose des valves et du bec sur le comptoir.
- Recouvrir le cadrage de la baignoire avec du matériau hydro-résistant. Sceller les joints entre le rebord et le matériau hydro-résistant du mur à l'aide de mastic à la silicone.
- Poser et appliquer le matériau hydro-résistant du mur. Installer le mur fini sur le matériau hydro-résistant. Scellez les bords de la baignoire et du mur à l'aide d'un silicone.
- Installer la garniture du robinet conformément aux instructions du fabricant.

## 10. Retirer le panneau du bandeau

- Pour enlever le bandeau, insérer un tournevis à tête plate ou un couteau sous le rebord du panneau. Travailler soigneusement pour ne pas rayer les surfaces visibles. Soulever doucement une extrémité. Retirer soigneusement le panneau du bandeau.
- Pour réinstaller, arquer légèrement le bandeau de façon à pouvoir insérer les deux extrémités en même temps. Appuyer doucement sur le centre du panneau pour le mettre en place.

## 11. Nettoyage après installation

- Nettoyer l'espace autour du moteur-souffleur propre et exempt de débris.
- Nettoyer la surface de la baignoire à jets d'air avec un détergent liquide et de l'eau tiède. **Ne pas utiliser des nettoyants abrasifs**, car ils rayent et abîment la surface. **N'utiliser d'agents nettoyants en poudre que si ceux-ci sont complètement dilués.** Des substances solides pourraient obstruer les jets d'air. **Ne pas utiliser de produits javellisants ou à base d'ammoniaque.** Les solutions de nettoyage à agents chimiques actifs peuvent endommager la surface de la baignoire. Consulter le guide du propriétaire pour les recommandations de nettoyage normal.



## 12. Confirmer la bonne opération

### Remplir la baignoire

**AVIS :** S'assurer que l'espace autour du moteur-souffleur soit exempt de sciure, insolation, poussière, ou autres petits débris volatiles. De tels matériaux pourraient boucher les conduits d'air et réduire le débit d'air à travers le souffleur.

**REMARQUE :** Veuillez lire avec attention cette section avant de faire fonctionner la baignoire. Dépanner tout problème en consultant la section "Dépannage".

### Fonctionnement du Clavier

- **Marche / Arrêt** -Met en marche/arrêt le moteur-souffleur. En appuyant une fois sur le bouton, le moteur-souffleur démarre à vitesse moyenne. En appuyant encore une fois sur le bouton, le moteur-souffleur s'arrête. Le moteur-souffleur s'arrête automatiquement après 20 minutes d'opération. Le moteur-souffleur peut être redémarré en appuyant sur le bouton On/Off.
- **Mode purge** -Initie manuellement le cycle de purge. Le cycle de purge décharge toute eau résiduelle des conduits d'air après le vidage de la baignoire. En appuyant une fois sur le bouton, le moteur-souffleur démarre à vitesse lente. Le moteur-souffleur s'arrête automatiquement après à peu-près 2 minutes. En appuyant encore une fois sur le bouton avant la fin de cycle, le moteur-souffleur s'arrêtera. Noter que ce produit est aussi muni d'un cycle automatique de purge initialisé environ 30 minutes après l'arrêt du souffleur.
- **Augmente le Débit** -Augmente le débit d'air.
- **Réduit le Débit** -Réduit le débit d'air.

### Vérifications préliminaires

- Retirer temporairement tous les panneaux d'accès.
- Vérifier que le raccord de la valve clapet de non retour soit bien serrée.
- Vérifier que les vis soient installées sur le tube en PVC au moteur-souffleur et à la valve clapet de non retour.
- Vérifier que les serre-câbles supportent les conduits d'air.
- Vérifier que le moteur-souffleur soit sécurisé.
- Vérifier que le câble du clavier soit connecté au clavier de l'utilisateur et au moteur-souffleur.
- Remplir la baignoire à un niveau d'au moins 2" (5 cm) au-dessus du jet d'air le plus élevé.

## **Confirmer la bonne opération (cont.)**

### **Confirmer l'opération du système d'air**

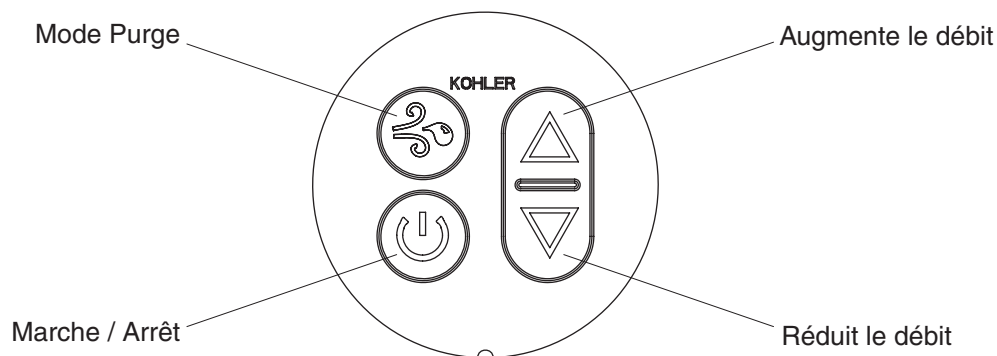
- Appuyer sur le bouton d'alimentation sur le clavier de l'utilisateur.
- S'assurer que le moteur-souffleur démarre à vitesse moyenne.
- S'assurer que l'air circule à travers tous les jets.
- Appuyer sur le bouton haut du clavier de l'utilisateur.
- S'assurer que le débit d'air augmente.
- Appuyer sur le bouton bas du clavier de l'utilisateur.
- S'assurer que le débit d'air diminue.
- Appuyer sur le bouton d'alimentation du clavier pour arrêter le moteur-souffleur.

### **Confirmer l'opération manuelle de purge**

- Vider la baignoire.
- Lorsque la baignoire est vidée, appuyer une fois sur le bouton de purge.
- S'assurer que le moteur-souffleur démarre à vitesse lente et évacue toute eau résiduelle des conduits d'air.
- S'assurer que de l'air provienne des jets.
- S'assurer qu'en appuyant sur le bouton de purge encore une fois, le moteur-souffleur s'arrête.
- Appuyer sur le bouton de purge pour redémarrer la purge manuelle.
- S'assurer que le moteur-souffleur s'arrête automatiquement après à peu-près 2 minutes.

### **Confirmer l'opération manuelle de purge**

- Appuyer sur le bouton d'alimentation.
- Appuyer encore une fois sur le bouton d'alimentation pour éteindre le souffleur. Noter le temps.
- Si remplie, vider la baignoire.
- S'assurer que le moteur-souffleur démarre en cycle de purge après environ 30 minutes.
- S'assurer que le moteur-souffleur s'arrête automatiquement après à peu-près 2 minutes.



## 13. Procédure de dépannage

### Guide de dépannage

Ce guide de dépannage est seulement destiné à une aide générale. Seul un agent agréé de Kohler ou un électricien qualifié devrait corriger tous les problèmes électriques. Pour une réparation sous garantie, contacter le vendeur ou distributeur.

Symptômes	Causes probables	Action recommandée
1. La baignoire à jets d'air ne démarre pas.	A. Pas d'alimentation au moteur-souffleur.	A. Régler/réinitialiser le disjoncteur différentiel, contrôler le câblage.
	B. Câble du clavier desserré ou endommagé.	B. Vérifier les connexions. Si nécessaire, remplacer le câble du clavier.
	C. Le clavier ne fonctionne pas.	C. Vérifier les connexions. Remplacer le clavier.
	D. Le moteur-souffleur ne fonctionne pas.	D. Remplacer le moteur-souffleur.
2. Le moteur-souffleur démarre mais il y a peu ou pas de bulles.	A. Moteur-souffleur déconnecté.	A. Connecter le moteur-souffleur au harnais d'air.
	B. Restriction du débit d'air du moteur-souffleur.	B. Nettoyer la surface autour du moteur-souffleur. Assurer une ventilation adéquate.
3. La baignoire s'arrête automatiquement avant 18 minutes.	A. Le disjoncteur différentiel GFCI ou ELCB se déclenche.	A. Identifier la source du problème puis remédier.
	B. Moteur surchauffé et système de protection activé.	B. Vérifier s'il y a blocage aux prises d'air du moteur. Retirer l'obstruction et laisser le moteur refroidir.
4. La baignoire ne s'arrête pas automatiquement après 22 minutes.	A. Le moteur-souffleur ne fonctionne pas.	A. Remplacer le moteur-souffleur.
5. Le moteur-souffleur ne s'arrête pas lorsque le bouton d'alimentation sur le clavier est pressé.	A. Câble du clavier desserré ou endommagé.	A. Vérifier les connexions. Si nécessaire, remplacer le câble du clavier.
	B. Le clavier ne fonctionne pas.	B. Remplacer le clavier.

**Procédure de dépannage (cont.)**

<b>Symptômes</b>	<b>Causes probables</b>	<b>Action recommandée</b>
6. Le moteur-souffleur fonctionne mais la fonction de vitesse variable ne fonctionne pas.	A. Câble du clavier desserré ou endommagé.	A. Vérifier les connexions. Si nécessaire, remplacer le câble du clavier.
	B. Le clavier ne fonctionne pas.	B. Remplacer le clavier.
	C. Le moteur-souffleur ne fonctionne pas.	C. Remplacer le moteur-souffleur.
7. Le cycle de purge automatique ne démarre pas.	A. Le moteur-souffleur ne fonctionne pas.	A. Remplacer le moteur-souffleur.
8. Le cycle de purge manuelle ne fonctionne pas.	A. Câble du clavier desserré ou endommagé.	A. Vérifier les connexions. Si nécessaire, remplacer le câble du clavier.
	B. Le clavier ne fonctionne pas.	B. Remplacer le clavier.
	C. Le moteur-souffleur ne fonctionne pas.	C. Remplacer le moteur-souffleur.

# Guía de instalación

## Bañera con jets de aire y faldón integral

### Información importante

#### Lea todas las instrucciones antes de utilizar o instalar este producto.



**ADVERTENCIA:** Al usar aparatos eléctricos, siga siempre las precauciones básicas, incluyendo las siguientes:



**PELIGRO: Riesgo de descarga eléctrica.** Conecte sólo a un circuito protegido con un interruptor de circuito con pérdida a tierra (GFCI) o dispositivo de corriente residual (RCD). La conexión a tierra es un requisito. Un representante de servicio autorizado debe instalar esta unidad y conectarla a tierra.



**ADVERTENCIA: Riesgo de descarga eléctrica.** Un electricista calificado debe realizar todo el cableado eléctrico y las conexiones de este producto. La instalación incorrecta creará un riesgo eléctrico y puede no cumplir con los códigos locales de construcción y electricidad.



**ADVERTENCIA: Riesgo de descarga eléctrica.** Desconecte el suministro eléctrico antes de dar servicio.



**ADVERTENCIA: Riesgo de lesiones personales o daños a la propiedad.** Lea atentamente todas las instrucciones antes de comenzar la instalación, incluyendo los requisitos detallados a continuación.



**ADVERTENCIA: Riesgo de daños a la propiedad.** El material de construcción y el cableado se deben colocar lejos del cuerpo del motor soplador y de otros componentes que produzcan calor.

**AVISO:** Cumpla con todos los códigos locales de electricidad y de plomería.

**AVISO:** Se requiere un panel de acceso para dar servicio a la bomba/control. El tamaño del panel de acceso debe tener un mínimo de 20" (50,8 cm) de ancho y 15" (38,1 cm) de alto.

### Guarde estas instrucciones

### Información sobre el producto

#### Requisitos eléctricos



**ADVERTENCIA: Riesgo de quemaduras, incendio, descarga eléctrica o lesiones personales.** No haga funcionar la bomba si el cable de alimentación de la bomba está dañado. Para obtener la asesoría correcta para reparar este producto, llame al: 1-800-4-KOHLER desde los EE.UU., 1-800-964-5590 desde Canadá, o 001-877-680-1310 desde México.

La instalación debe contar con un interruptor de circuito con pérdida a tierra (GFCI) de Clase A o dispositivo de corriente residual (RCD). El GFCI o RCD protege contra el peligro de descarga eléctrica de línea a tierra. Utilice un circuito dedicado de 120 V, 15 A, 60 Hz para la bañera con jets de aire.

## Información sobre el producto (cont.)

### Avisos sobre el producto

**AVISO:** Mantenga limpia el área alrededor del motor soplador. Asegúrese de que el área alrededor del motor soplador no tenga aserrín, material aislante, suciedad u otras partículas sueltas. Estos materiales podrían tapan los conductos de aire del motor soplador, reduciendo el flujo de aire a través del soplador.

### Componentes ensamblados en fábrica

Los componentes montados en fábrica incluyen el motor soplador con el cable de la fuente de alimentación, la válvula de retención, los tubos de aire, el teclado y el cable del teclado. Aparte del cableado para el suministro eléctrico y de la instalación de plomería, no es necesario realizar ningún tipo de montaje.

### Acceso de servicio y a las conexiones

**AVISO:** Provea acceso de servicio, sin restricciones, al motor soplador y a la válvula de retención. El acceso debe situarse justo al lado del motor soplador. Consulte el diagrama de instalación incluido con la bañera.

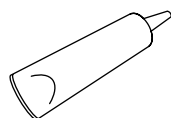
Antes de instalar, asegúrese de que el acceso al motor soplador y a las conexiones finales sea adecuado. Si el motor soplador se ha instalado en un área cerrada, es necesario instalar un panel de acceso para el mismo. Este panel debe tener 18" (45,7 cm) de ancho y 14" (35,6 cm) de alto, como mínimo.



## Contenido

Información importante	1
Información sobre el producto	1
Requisitos eléctricos	1
Avisos sobre el producto	2
Componentes ensamblados en fábrica	2
Acceso de servicio y a las conexiones	2
Herramientas y materiales	3
Antes de comenzar	3
Prepare el sitio	5
Prepare el sitio - Construcción de concreto	6
Prepare la bañera con jets de aire	6
Fije la unidad	7
Opción que utiliza una capa de cemento o mortero	7
Opción que utiliza adhesivo de construcción	7
Fije la bañera de hidromasaje	9
Instale la plomería	9
Realice las conexiones eléctricas	10
Pruebe el funcionamiento de la bañera con jets de aire	11
Termine la pared acabada	12
Para retirar el panel del faldón	12
Limpieza después de la instalación	12
Confirme el funcionamiento correcto	13
Llene la bañera	13
Procedimientos para resolver problemas	15
Guía para resolver problemas	15

## Herramientas y materiales



Sellador de silicona



Cinta para medir



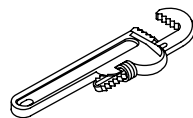
Lápiz



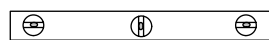
Martillo de uña



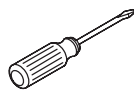
Lentes de seguridad



Llave para tubo



Nivel



Destornillador plano

### Más:

- Herramientas y materiales convencionales de carpintería
- Lona
- Adhesivo de construcción (opcional)
- Cemento o mortero (opcional)
- Clavos galvanizados de cabeza grande del #6
- Listones de 2x4 ó 2x6

## Antes de comenzar

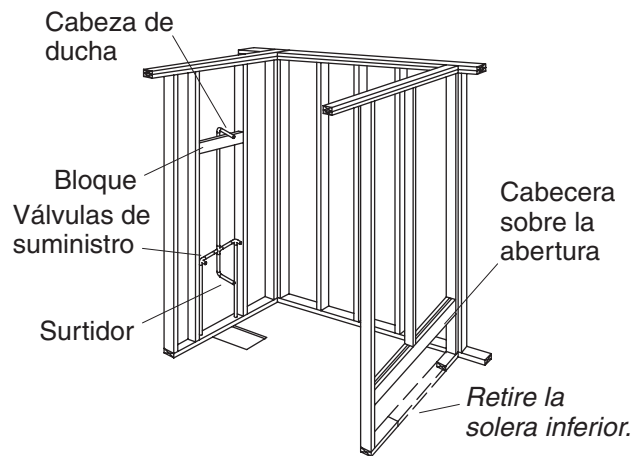
**AVISO:** No levante la bañera con jets de aire por los tubos o el motor soplador, ni los utilice como soporte estructural de la bañera.

**AVISO:** No levante la bañera con jets de aire por el faldón integral.

- Recomendamos instalar esta bañera con jets de aire encajonada entre tres paredes.

### **Antes de comenzar (cont.)**

- Por favor, lea estas instrucciones atentamente para familiarizarse con la secuencia de instalación, las herramientas y los materiales necesarios. Siga las secciones correspondientes a su instalación en particular. Esto le ayudará a evitar errores costosos. Además de las instrucciones de instalación, lea todas las instrucciones de funcionamiento y seguridad.
- Compruebe que la bañera con jets de aire no esté dañada antes de iniciar la instalación.
- Es necesario instalar la bañera en un subpiso nivelado y con suficiente soporte.
- Confirme que haya suficiente espacio para montar y conectar la grifería especificada para su instalación.
- Hay disponible un kit de accesorios opcional para cambiar el motor soplador de lugar. Si desea este kit y no lo ha pedido, consulte el reverso de esta guía para obtener la información de contacto. Si va a cambiar la ubicación del motor soplador, siga las instrucciones incluidas con el kit mientras instale esta bañera con jets de aire.
- Kohler Co. se reserva el derecho de modificar el diseño de los productos sin previo aviso, tal como se especifica en la lista de precios.



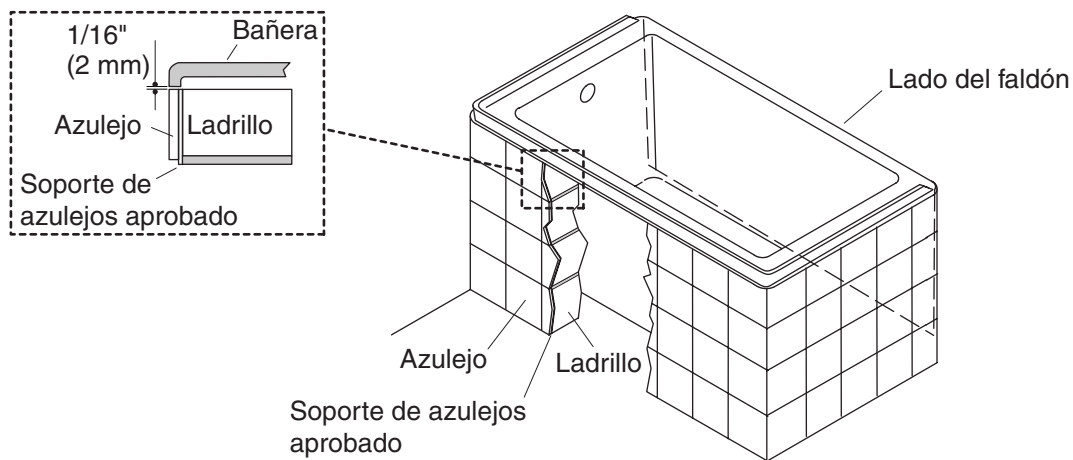
## 1. Prepare el sitio

**AVISO:** No apoye la bañera por los bordes.

**AVISO:** Consulte la Guía de instalación embalada con este producto para la carga de soporte mínima apropiada para el piso en libras/pie cuadrado (kg/metro cuadrado).

**AVISO:** Proporcione una ventilación adecuada y un espacio mínimo de 15 pies cúbicos (0,4 metros cúbicos) en el lugar de instalación para enfriamiento del motor y suministrar suficiente aire al soplador. No instale el motor soplador a menos de 1" (2,5 cm) de distancia de la pared u otros objetos.

- Verifique que el piso proporcione el soporte adecuado para su bañera y que el subpiso esté plano y nivelado.
- Construya una estructura de postes de 2x4 ó 2x6 diseñada para su instalación en particular.
- Instale un panel de acceso para permitir el mantenimiento del motor soplador.
- Instale las tuberías de plomería según el diagrama de instalación provisto. Tape los suministros y verifique que no haya fugas.



## 2. Prepare el sitio - Construcción de concreto

**AVISO:** No apoye la bañera por los bordes.

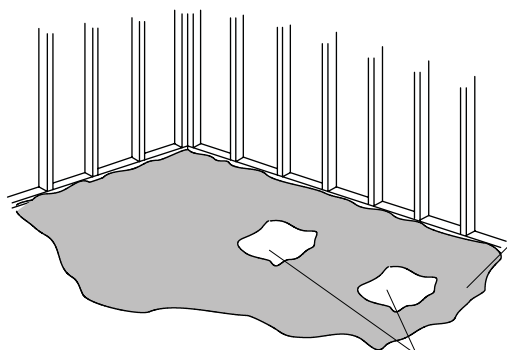
**AVISO:** Consulte la Guía de instalación embalada con este producto para la carga de soporte mínima apropiada para el piso en libras/pie cuadrado (kg/metro cuadrado).

**AVISO:** Proporcione una ventilación adecuada y un espacio mínimo de 15 pies cúbicos (0,4 metros cúbicos) en el lugar de instalación para enfriamiento del motor y suministrar suficiente aire al soplador. No instale el motor soplador a menos de 1" (2,5 cm) de distancia de la pared u otros objetos.

- Verifique que el piso proporcione el soporte adecuado para su bañera y que el subpiso esté plano y nivelado.
- Construya soportes de ladrillo o concreto.
- Deje una separación de 1/16" (2 mm) entre el borde de la bañera y la estructura de concreto o ladrillo. Construya la estructura del piso o construya una estructura para una instalación elevada, conforme a la información contenida en el diagrama de instalación.
- Instale las tuberías de plomería según el diagrama de instalación provisto. Tape los suministros y verifique que no haya fugas.

## 3. Prepare la bañera con jets de aire

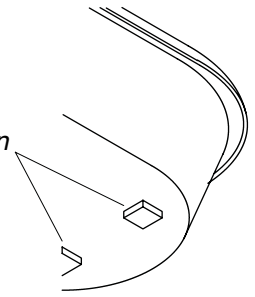
- Instale el desagüe en la bañera según las instrucciones del fabricante del desagüe. Aún no conecte la trampa.
- Coloque una lona gruesa y limpia o un material similar en el fondo de la bañera para proteger el acabado. Tenga cuidado de no rayar la superficie de la bañera.



*Extienda una lechada de cemento o mortero de 2" (5,1 cm).*

*Limpie los espacios para los bloques de soporte.*

*Aplique adhesivo de construcción en los bloques de soporte.*



#### 4. Fije la unidad

**AVISO:** No levante la bañera con jets de aire por los canales de aire o el motor soplador, ni utilice la tubería o el motor soplador como soporte estructural de la bañera.

**AVISO:** No apoye la bañera por los bordes.

- Elija la opción de instalación más apropiada para su instalación en particular. Siga las instrucciones correspondientes.
- Si el subpiso no está nivelado, acuñe los bloques de soporte de la bañera según sea necesario.

#### Opción que utiliza una capa de cemento o mortero

**AVISO:** No utilice cemento de yeso o pasta para paneles de yeso con esta aplicación, puesto que no proporcionarán una adherencia aceptable ni duradera.

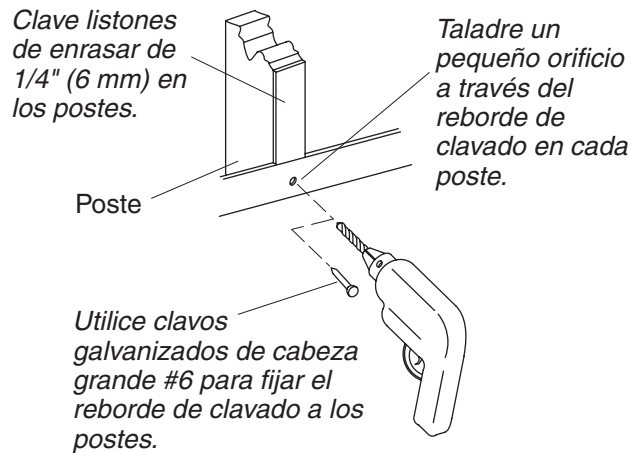
- Aplique una capa de 2" (5,1 cm) de cemento o mortero en el subpiso donde se colocará la bañera. Esto ayudará a fijar, nivelar y dar soporte a la unidad. Limpie todo el material de los lugares para los bloques de soporte.
- Coloque un pedazo de lona gruesa de plástico sobre el cemento o mortero.
- Obtenga ayuda para colocar con cuidado la bañera en su lugar y verifique que los bloques de soporte no se apoyen sobre la lechada.
- Inserte el tubo de desagüe en la trampa. Verifique que la bañera esté nivelada y apoyada sobre todos los bloques de soporte.
- Retire la cinta protectora del borde. Aplique una tira continua de sellador de silicona de alta calidad alrededor de todo el borde de la bañera.
- Deje que el sellador se seque según las instrucciones del fabricante.

#### Opción que utiliza adhesivo de construcción

- Aplique una cantidad abundante de adhesivo de construcción de alta calidad en la parte inferior de los bloques de soporte.
- Obtenga ayuda para colocar con cuidado la bañera en su lugar.
- Inserte el tubo de desagüe en la trampa. Verifique que la bañera esté nivelada y apoyada sobre todos los bloques de soporte.
- Retire la cinta protectora del borde. Aplique una tira continua de sellador de silicona de alta calidad alrededor de todo el borde de la bañera.

**Fije la unidad (cont.)**

- Deje que el sellador se seque según las instrucciones del fabricante.



## 5. Fije la bañera de hidromasaje

### Construcción de madera

- Taladre un pequeño orificio guía a través del reborde de clavado en cada poste. Añada cuñas entre el reborde de clavado y los postes según sea necesario para eliminar los huecos.
- Clave los listones de enrasar de 1/4" (6 mm) de espesor en los postes para alcanzar el filo del reborde de clavado.
- Utilice clavos de cabeza grande galvanizados del #6 para fijar el reborde de clavado a los postes de madera.

### Construcción de concreto

**NOTA:** Se recomienda fijar el reborde a la pared para mayor soporte.

- Perfore orificios guía a través del reborde de clavado de manera que queden a 16" (40,6 cm) de distancia el uno del otro.
- Instale los anclajes para paredes de concreto en los orificios guía.
- Con tornillos, fije el reborde de clavado a los anclajes de pared.

## 6. Instale la plomería

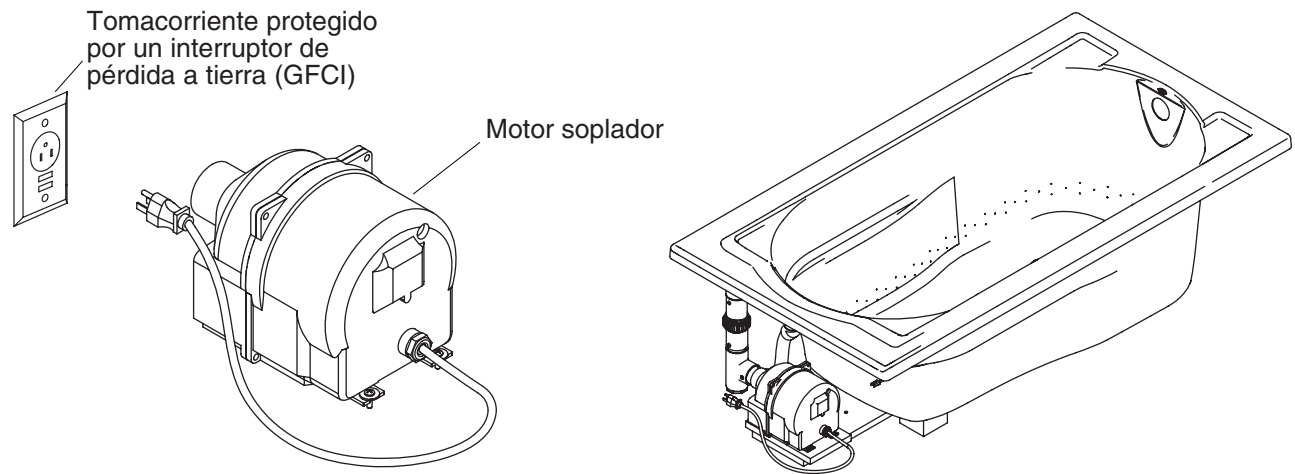


**ADVERTENCIA: Riesgo de daños a la propiedad.** Verifique que no haya ninguna fuga en las conexiones de desagüe de la bañera.

- Conecte el desagüe a la trampa según las instrucciones del fabricante del desagüe.

**AVISO:** Un panel de acceso facilitará el mantenimiento futuro.

- Instale las válvulas de la grifería según las instrucciones del fabricante de la grifería. No instale la guarnición de la grifería hasta que se le indique. Abra los suministros del agua caliente y fría, y compruebe que no haya fugas en las conexiones de suministro.
- Deje que el agua fluya en la bañera, y verifique que no haya fugas en las conexiones de desagüe.



## 7. Realice las conexiones eléctricas

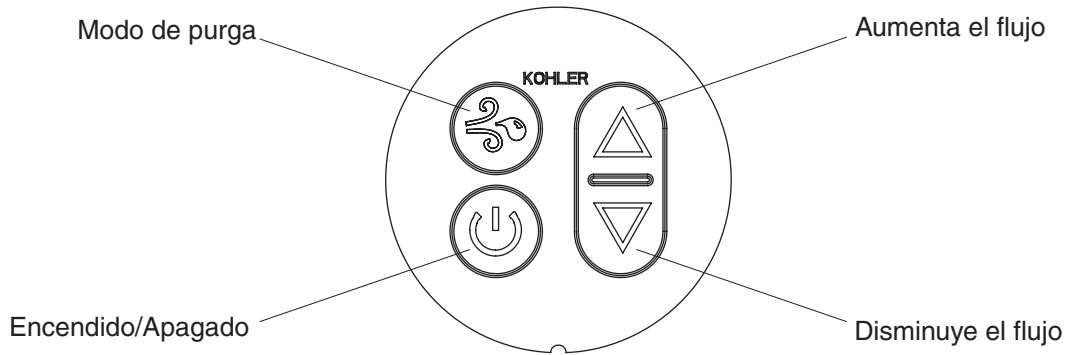


**PELIGRO: Riesgo de descarga eléctrica.** Conecte el motor soplador a un tomacorriente con conexión a tierra que tenga protección mediante un interruptor de circuito con pérdida a tierra (GFCI) o dispositivo de corriente residual (RCD). No retire las clavijas de conexión a tierra de los enchufes. No utilice adaptadores de conexión a tierra.

**NOTA:** El número de modelo de la bañera con jets de aire está impreso en una etiqueta cerca del motor soplador. Esta etiqueta también identifica la capacidad nominal eléctrica.

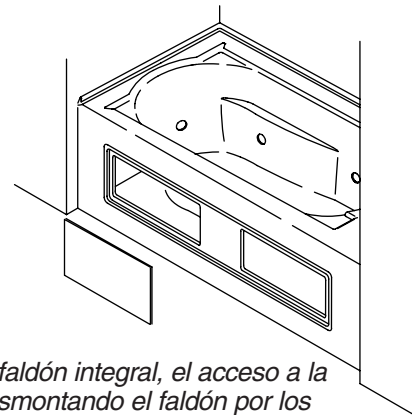
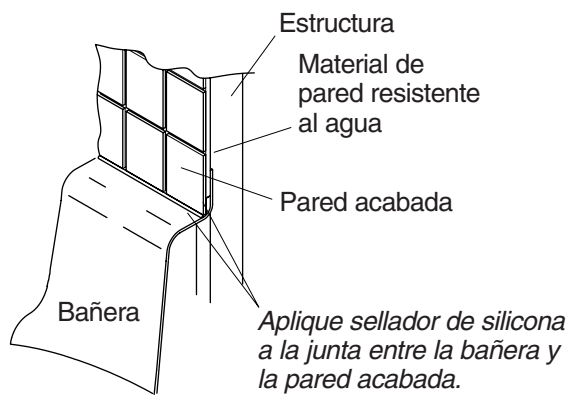
- Su bañera con jets de aire Kohler está equipada con un cable y un enchufe. El cableado del motor soplador se ha realizado en fábrica. Un electricista calificado debe instalar un tomacorriente dedicado, conectado a tierra, de 120 V, 15 A y protegido por un interruptor GFCI. Coloque el tomacorriente detrás de la bañera y a no más de 24" (61 cm) de distancia del motor soplador.
- Enchufe el motor soplador en este tomacorriente.
- Limpie el polvo y los restos de suciedad del área.





## 8. Pruebe el funcionamiento de la bañera con jets de aire

- Para información sobre el funcionamiento de la bañera, consulte la sección "Confirme el Funcionamiento Correcto".
- Revise todas las conexiones eléctricas y verifique que la alimentación eléctrica a la bañera con jets de aire esté conectada.
- Asegúrese de que todas las conexiones de los tubos en el equipo de aire estén fijas.
- Verifique que el motor soplador esté fijo.
- Retire provisionalmente la lona de plástico u otro material protector de la bañera.
- Llene la bañera a un nivel de por lo menos 2" (5,1 cm) arriba del jet de aire más alto.
- Compruebe que no haya fugas en las tuberías de desagüe. Repare las fugas.
- Ponga la bañera en funcionamiento y compruebe el flujo de aire a través de los jets de aire. Compruebe que no haya fugas de aire en los tubos de aire.
- Detenga el funcionamiento y vacíe la bañera.
- Vuelva a colocar la lona de plástico u otro material protector en la bañera.



*En los modelos con faldón integral, el acceso a la bomba se realiza desmontando el faldón por los bordes con ayuda de un destornillador plano o cuchillo romo.*

## 9. Termine la pared acabada

**NOTA:** Su bañera con jets de aire tiene un faldón integral. El faldón integrado está diseñado de manera que el revestimiento de la pared [1-1/2" (3,8 cm) máximo] recubra las columnas del faldón. El revestimiento de acabado del piso [2" (5 cm) máximo] debe quedar a tope con el faldón.

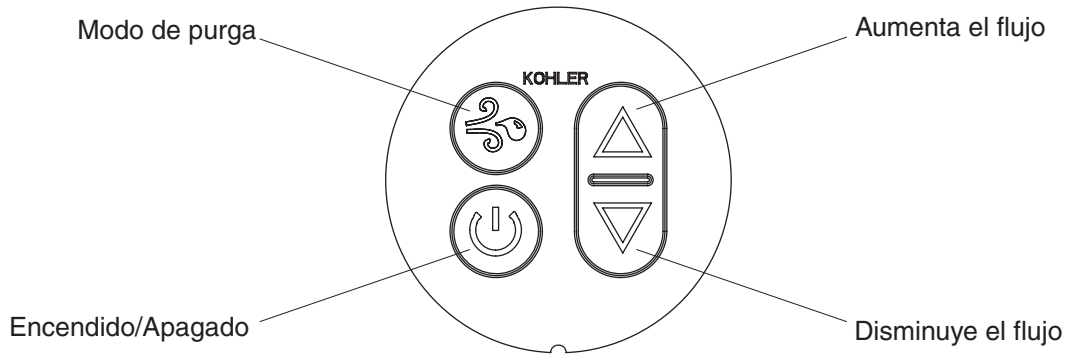
- Retire la cinta protectora del borde de la bañera con cuidado, si aún no lo ha hecho.
- De ser necesario, deje espacio para montar el surtidor y las válvulas en la cubierta.
- Cubra la estructura de postes de madera para la bañera con material de pared resistente al agua. Selle las juntas entre el filo del borde y el material de pared resistente al agua con sellador de silicona.
- Adhiera el material de pared resistente al agua con cinta y yeso. Instale la pared acabada con el material resistente al agua. Selle las uniones entre el borde de la bañera y la pared acabada con sellador de silicona.
- Instale la guarnición de la grifería según las instrucciones del fabricante.

## 10. Para retirar el panel del faldón

- Para desmontar el panel del faldón, inserte la punta de un destornillador plano o de un cuchillo sin dientes por debajo del borde del panel. Tenga cuidado de no rayar las superficies visibles. Apalanque suavemente en uno de los extremos. Saque con cuidado el panel del faldón.
- Para volver a instalarlo, arquee el panel del faldón ligeramente, de manera que ambos extremos puedan introducirse simultáneamente. Presione levemente el centro del panel para fijarlo en su lugar.

## 11. Limpieza después de la instalación

- Limpie el polvo y restos de suciedad del área alrededor del motor soplador.
- Utilice agua tibia y un detergente líquido para limpiar la superficie de la bañera con jets de aire. **No utilice limpiadores abrasivos**, pues pueden rayar y opacar la superficie. **No utilice productos de limpieza en polvo a menos que estén completamente disueltos en el agua.** Las sustancias sólidas podrían obstruir los jets de aire. **No utilice productos de limpieza que contengan cloro (lejía) o amoníaco.** Las soluciones de limpieza activas químicamente pueden dañar la superficie de la bañera. Consulte la guía del usuario para las recomendaciones de limpieza normal.



## 12. Confirme el funcionamiento correcto

### Llene la bañera

**AVISO:** Asegúrese de que el área alrededor del motor soplador no tenga aserrín, material aislante, suciedad u otras partículas sueltas. Estos materiales podrían taponar los conductos de aire del motor soplador, reduciendo el flujo de aire a través del motor soplador.

**NOTA:** Por favor, lea atentamente estos pasos antes de poner la bañera con jets de aire en funcionamiento. Resuelva problemas utilizando la sección "Guía para resolver problemas".

### Funcionamiento del teclado

- **Encendido/Apagado** - Enciende y apaga el motor soplador. Cuando oprima el interruptor una vez, el motor soplador comienza a funcionar a velocidad media. Si oprime el botón otra vez hará que el motor soplador se apague. El motor soplador se apaga automáticamente tras unos 20 minutos de funcionamiento. El motor soplador se puede reiniciar pulsando el botón de encendido/apagado.
- **Modo de purga** - Inicia el ciclo de purga manualmente. El ciclo de purga expulsa los restos de agua de los canales de aire una vez que se ha vaciado la bañera. Cuando oprima el botón una vez, el motor soplador comienza a funcionar a baja velocidad. El motor soplador se apaga automáticamente después de unos dos minutos. Si vuelve a oprimir el botón antes de que el ciclo termine, el motor soplador se apagará. Observe que este producto también tiene un ciclo de purga automática, que se inicia unos 30 minutos después de que el soplador se haya apagado.
- **Aumenta el flujo** - Aumenta el flujo de aire.
- **Disminuye el flujo** - Disminuye el flujo de aire.

### Verificaciones preliminares

- Retire provisionalmente todos los paneles de acceso.
- Verifique que la conexión de unión en la válvula de retención esté bien apretada a mano.
- Verifique que los tornillos estén instalados en los tubos de aire PVC del motor soplador y en la válvula de retención.
- Verifique que los sujetadores soporten los tubos de aire.
- Verifique que el motor soplador esté fijo.
- Verifique que el cable del teclado esté bien conectado al teclado y al motor soplador.
- Llene la bañera a un nivel de por lo menos 2" (5 cm) arriba del jet de aire más alto.

## **Confirme el funcionamiento correcto (cont.)**

### **Confirme el funcionamiento del sistema de aire**

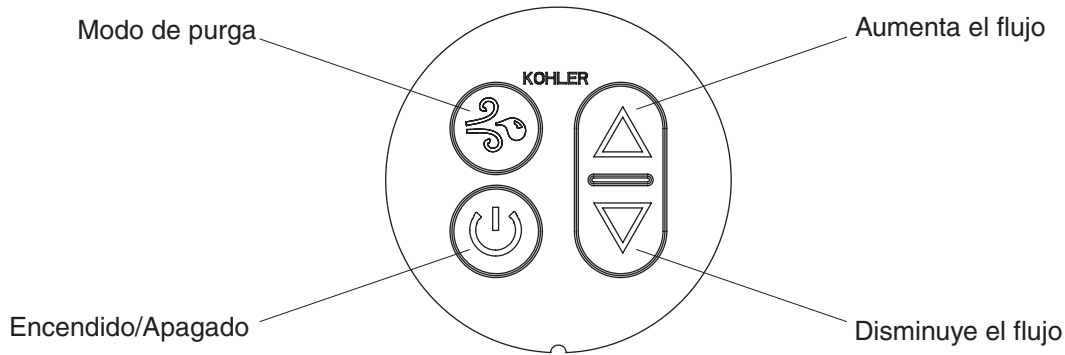
- Oprima el botón de encendido en el teclado.
- Observe que el motor soplador inicie su funcionamiento a velocidad media.
- Observe que el aire sople a través de todos los jets de aire.
- Pulse el botón con la flecha hacia arriba en el teclado.
- Verifique que el flujo de aire aumente.
- Pulse el botón con la flecha hacia abajo en el teclado.
- Compruebe que el flujo de aire disminuya.
- Oprima el botón de encendido en el teclado para apagar el motor soplador.

### **Confirme el funcionamiento de purga manual**

- Drene la bañera.
- Cuando la bañera esté vacía, oprima una vez el botón de purga.
- Observe que el motor soplador empiece a baja velocidad y expulse los restos de agua de los canales de aire.
- Observe que el aire salga de los jets de aire.
- Compruebe que al oprimir el botón de purga otra vez, el motor soplador se apague.
- Oprima el botón de purga para reiniciar la purga manual.
- Observe que el motor soplador se apague automáticamente después de unos dos minutos.

### **Confirme el funcionamiento de purga automática**

- Oprima el botón de encendido.
- Vuelva a pulsar el botón de encendido para apagar el soplador. Apunte la hora.
- Si la bañera está llena, vacíela.
- Observe que el motor soplador comience a funcionar en el ciclo de purga después de unos 30 minutos.
- Observe que el motor soplador se apague automáticamente después de unos dos minutos.



### 13. Procedimientos para resolver problemas

#### Guía para resolver problemas

Esta guía para resolver problemas está diseñada únicamente como ayuda general. Un representante de servicio autorizado de Kohler o un electricista calificado debe resolver todos los problemas eléctricos. Para obtener servicio cubierto por la garantía, póngase en contacto con el vendedor o el distribuidor mayorista.

Síntomas	Causas probables	Acción recomendada
1. La bañera con jets de aire no se enciende.	A. El motor soplador no recibe alimentación eléctrica.	A. Oprima el botón (reset) de restablecer la alimentación eléctrica del interruptor de circuito con pérdida a tierra GFCI o ELCB; revise el cableado.
	B. El cable del teclado está suelto o dañado.	B. Compruebe las conexiones de los cables. De ser necesario, reemplace el cable del teclado.
	C. El teclado no funciona.	C. Compruebe las conexiones de los cables. Reemplace el teclado.
	D. El motor soplador no funciona.	D. Reemplace el motor soplador.
2. El motor soplador se enciende, pero hay muy pocas burbujas o ninguna.	A. El motor soplador está desconectado.	A. Conecte el motor soplador al equipo de aire.
	B. El flujo de aire del motor soplador está restringido.	B. Limpie el área alrededor del motor soplador. Asegúrese de que haya suficiente ventilación.
3. La bañera se detiene automáticamente antes de 18 minutos.	A. El interruptor de circuito GFCI o ELCB se ha disparado.	A. Identifique la causa del problema y corríjalo.
	B. El motor se ha sobrecalentado, activando el dispositivo de protección.	B. Verifique que no haya obstrucciones en las ventilaciones del motor. Elimine la obstrucción y deje enfriar el motor.
4. La bañera no se apaga automáticamente después de 22 minutos.	A. El motor soplador no funciona.	A. Reemplace el motor soplador.
5. El motor soplador no se apaga al oprimir el botón de encendido en el teclado.	A. El cable del teclado está suelto o dañado.	A. Compruebe las conexiones de los cables. De ser necesario, reemplace el cable del teclado.
	B. El teclado no funciona.	B. Reemplace el teclado.

**Procedimientos para resolver problemas (cont.)**

<b>Síntomas</b>	<b>Causas probables</b>	<b>Acción recomendada</b>
6. El motor soplador se pone en funcionamiento pero la opción de velocidad variable no funciona.	A. El cable del teclado está suelto o dañado.	A. Compruebe las conexiones de los cables. De ser necesario, reemplace el cable del teclado.
	B. El teclado no funciona.	B. Reemplace el teclado.
	C. El motor soplador no funciona.	C. Reemplace el motor soplador.
7. El ciclo de purga automática no se activa.	A. El motor soplador no funciona.	A. Reemplace el motor soplador.
8. El ciclo de purga manual no funciona.	A. El cable del teclado está suelto o dañado.	A. Compruebe las conexiones de los cables. De ser necesario, reemplace el cable del teclado.
	B. El teclado no funciona.	B. Reemplace el teclado.
	C. El motor soplador no funciona.	C. Reemplace el motor soplador.



USA: 1-800-4-KOHLER  
Canada: 1-800-964-5590  
México: 001-877-680-1310

[kohler.com](http://kohler.com)

THE BOLD LOOK  
OF **KOHLER**®

©2007 Kohler Co.

1040292-2-E