



# styleselections™

## INSTALLATION GUIDE

In your hands, you're holding everything you need to begin building with Style Selections™ decking. This step-by-step guide will show you how to create a beautiful outdoor living space that fits perfectly into your lifestyle.

These installation instructions and warranty only apply to the Natural Brown and Natural Grey colors of Style Selections decking.

From time to time, Style Selections revises its installation instructions.

To ensure you have the most up-to-date installation instructions, please visit [Lowes.com](http://Lowes.com)

## TABLE OF CONTENTS

### SECTION ONE: *General Information*

General Tips	3
Job Site Storage	3
Safety	4
Tools	4
Care and Cleaning	5

### SECTION TWO: *Planning Ahead*

Installing Hot Tubs, Planters and Seating	6
Special Patterns	6

### SECTION THREE: *Decking*

Decking Specifications and Profiles	7
Trex Hideaway® Hidden Fastening System*	7
Approved Fasteners, Joist Spans and Conditional Considerations	8
Framing and Fastening Tips	9
Rooftop and Sleeper Deck Systems	10
Gapping	11
Stairs	12

#### ***How to Install Decking***

Tips for Installing Trex Hideaway Hidden Fastening System (Stainless Steel or Universal)	13
How to Install Trex Hideaway Stainless Steel Fasteners	14
How to Install Trex Hideaway Universal Hidden Fasteners	15
How to Replace Style Selections™ Boards	16
How to Install Stair Treads	17

### SECTION FOUR: *Warranty*

Style Selections Limited Residential Warranty	18
---	----

## GENERAL TIPS

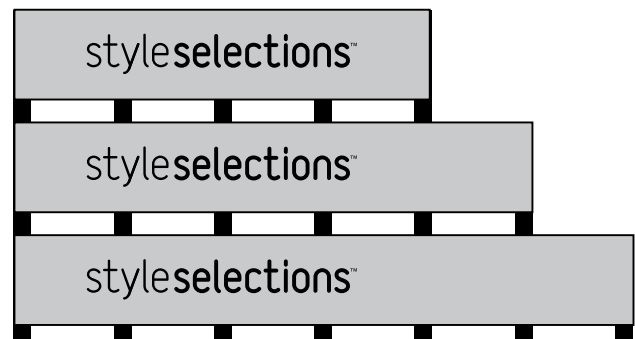
- Most colored chalk lines are permanent. **Use baby powder or Irwin Strait-Line® Dust-Off Marking Chalk.**
- We **DO NOT** recommend sanding. Sanding will change the appearance of the surface of Style Selections™ material and **will void the warranty with respect to any condition caused by such sanding.**
- When drilling large or deep holes, periodically lift the bit out of the hole to remove the shavings.
- Throughout this guide, feet are converted to meters and inches to centimeters.
- If you want to minimize the appearance of joists through the spaces between boards, paint the top of your joists black.
- Decking is suitable for a wide range of applications. It is not intended for primary structural members such as load bearing columns, joists, stringers, and beams.
- Construction methods are always improving. Please make sure you have the most up-to-date installation instructions by visiting [Lowes.com](http://Lowes.com)



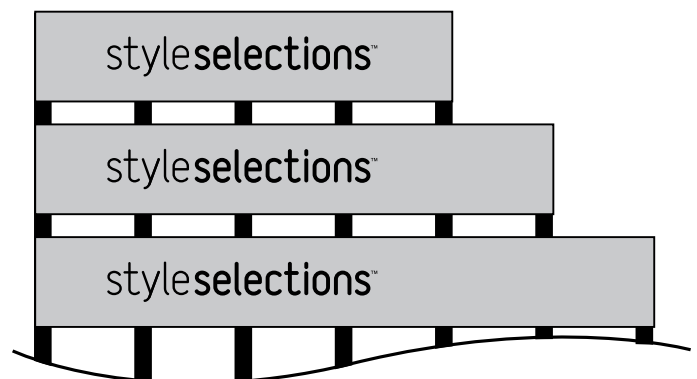
## JOB SITE STORAGE

Remember when storing Style Selections decking:

- You must store Style Selections products on a flat and level surface. Adjust support blocks accordingly.
- You must support Style Selections products with dunnage when placing bundles.
- When stacking Style Selections products, supports should start at each end and be spaced 2 ft (0.61 m) on center. Supports should line up vertically.
- **DO NOT** stack Style Selections higher than six bundles (units) or 12 ft (3.7 m) high.
- **Cover material on site until you are ready to install it.**



Units of Style Selections lumber on level ground.



Units of Style Selections lumber on uneven ground.

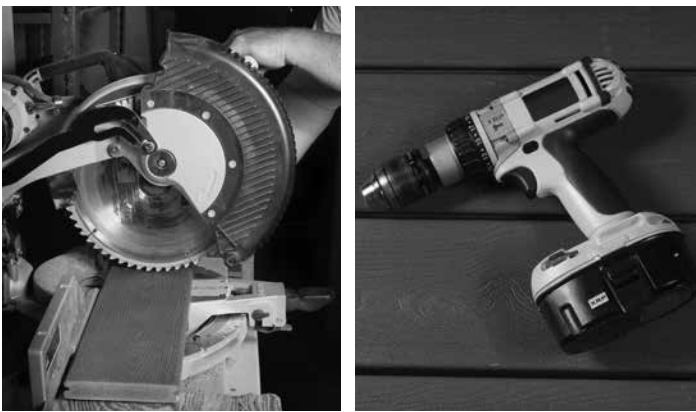
## SAFETY

When working on any construction project, you should wear protective clothing and safety equipment. Wear safety glasses, gloves, a dust mask and long sleeves, particularly when cutting in confined spaces.

Style Selections™ decking is heavier and more flexible than wood. **DO NOT** try to lift the same quantity of Style Selections boards as you would traditional lumber.

## TOOLS

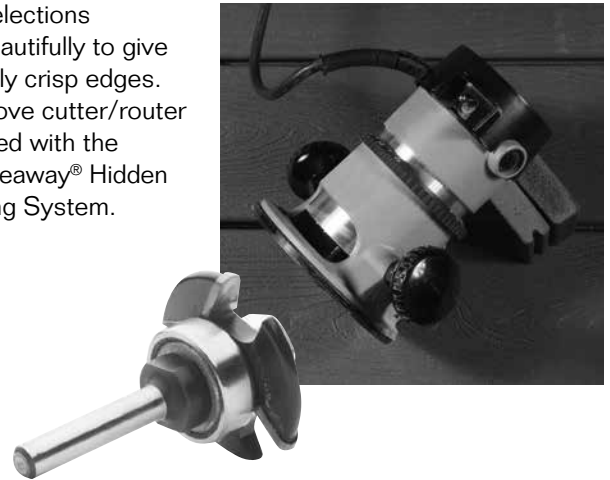
You can create intricate shapes, profiles and patterns with Style Selections. Most installments require no special tools. For best results, use carbide-tipped blades and router bits.



When using a miter saw, we recommend a 10 inch–12 inch saw blade with 40 teeth or less.

Install Style Selections recommended fasteners with standard power drills.

Style Selections routs beautifully to give extremely crisp edges. The groove cutter/router bit is used with the Trex Hideaway® Hidden Fastening System.



## CARE AND CLEANING GUIDE

All exterior building materials require cleaning. Generally, soap and water is all that is required to clean Style Selections™ products. For further information, see below.

Problem	Solution
Dirt and Debris	The affected area should be sprayed off with a hose to remove surface debris. Use warm soapy water and a soft bristle brush to remove dirt and debris from the embossing pattern.
Chalk Lines	Most colored chalks are permanent and may discolor the surface. Use only Irwin Strait-Line®* Dust-Off Marking Chalk (purple).
Tannins Due to Debris	Remove all debris from the deck using a hose or broom. Once the deck surface is dry, apply a deck "brightener"*** to the deck as directed by the manufacturer. Deck brighteners contain oxalic acid, which will also remove tannins.
Ice and Snow	A plastic shovel may be used to remove snow from the deck. Use calcium chloride or rock salt to melt the snow and ice from the deck surface.
Oil, Grease and Food	All food spills should be removed as soon as possible. <b>The surface must be cleaned within seven days to maintain the stain warranty.</b> To remove, spray off with a hose and use warm, soapy water and a soft bristle brush to remove spills from the embossing pattern.
Mold and Mildew	If debris such as pollen and dirt is allowed to remain on the deck surface, mold can feed on the biofilm. Using a hose and warm, soapy water with a soft bristle brush is recommended to remove the food source and mold.
Using a Pressure Washer (Concrete, Stucco or Ground-in Construction Dirt)	A pressure washer with <b>no greater</b> than 3100 psi*** that has a fan attachment/adjustment and soap dispenser may be used to remove dirt, concrete dust, or other types of construction dirt. Spray deck with soap, then follow with gently scrubbing each deck board with a soft bristle brush. Spray/rinse each individual deck board using a fan tip no closer than 8" from the decking surface. <b>RINSE THOROUGHLY.</b> If dirty water from cleaning is left to dry, this will cause a film to remain on the decking surface.

\*Strait-Line® is a registered trademark of Irwin Industrial Tool Company.

\*\*Use of products containing bleach or acid will lighten the surface of Style Selections. Use in an inconspicuous area to determine whether you like the effect. Neither product will affect the structural integrity of Style Selections.

\*\*\*Use of a pressure washer greater than 3100 psi could damage the boards and void the warranty.

**NOTE:** Style Selections cannot be painted or stained.

This Care and Cleaning Guide only applies to the Natural Brown and Natural Grey colors of Style Selections decking.

**Installing Hot Tubs, Planters and Seating:**

- Plan ahead proper joist spanning if required (this is especially important if installing a hot tub).
- Refer to page 8 for Style Selections™ Decking Span Chart for specific loads.

Call 1-800-289-8739 for detailed questions.

**Installing Fireplaces and/or Fire Pits With Style Selections Decking:**

- Determine if fire will be gas or wood burning.
- For gas, the fire pit is installed by cutting around the Style Selections decking. It is not to be installed on top of Style Selections decking. A fire resistant material is installed under the fire pit and a protective “wall” made from stone or other fire resistant material is installed to hold fire pit in place and also protect the decking from heat.
- For wood, fire pits are not recommended on top of Style Selections decking unless using a product called DeckProtect®. Wood burning fire pits can damage the decking due to extreme heat from the bottom of the fire pit and/or burning embers “shooting” onto the decking. DeckProtect® was tested on all Style Selections decking and there were no issues with burning of the decking surface when placed directly under a standard size portable



fire pit along with the accompanying rack (**NOTE: Rack is not available for all sizes, so check with manufacturer first for verification**). Style Selections does recommend that the DeckProtect® padding/rack be moved from time to time for general cleaning underneath. It should be noted that even when using DeckProtect®, burning embers could “shoot” beyond the protective mat and burn the deck.

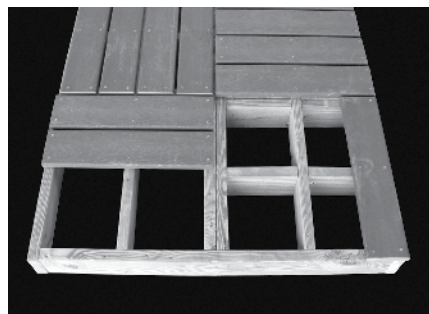
For more information about this product, please visit their website at [www.deckprotect.net](http://www.deckprotect.net). DeckProtect® is a registered trademark of Infinite Heat Solutions.

**Special Patterns**

When planning a unique pattern, you will need to adjust the framing to support the surface pattern. Refer to the span and gapping charts on pages 8 and 11. Many decks are designed to take advantage of angles, as shown below.



Herringbone Pattern

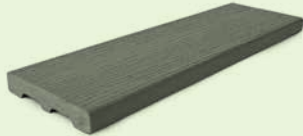
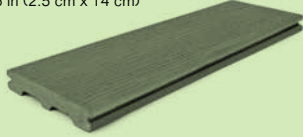


Tile Pattern



Picture Frame Pattern

## DECKING SPECIFICATIONS AND PROFILES

DECKING	DESCRIPTION	ITEM NUMBER	COLORS
<b>1 in x 6 in (2.5 cm x 15.2 cm) Square Edge Board</b> Actual Dimensions: 1 in x 5.5 in (2.5 cm x 14 cm)	8 ft (2.44 m)	Style Selections™ 473863 546897	NB NG
			
<b>1 in x 6 in (2.5 cm x 15.2 cm) Grooved Edge Board</b> Actual Dimensions: 1 in x 5.5 in (2.5 cm x 14 cm)	12 ft (3.66 m)	Style Selections 473866	NB
	16 ft (4.88 m)	Style Selections 473868	NB
	12 ft (3.66 m)	Style Selections 546898	NG
	16 ft (4.88 m)	Style Selections 546899	NG
			
COLOR PREFIX    NB = NATURAL BROWN    NG = NATURAL GREY			

TREX HIDEAWAY® HIDDEN FASTENING SYSTEM	DESCRIPTION	ITEM NUMBER
<b>Connector Clip</b> (stainless steel)	 Bag—90 Clips/Box (50 sq ft for 16 in O.C.) Bucket—900 Clips/Bucket (500 sq ft for 16 in O.C.)	PCONNECTCLIP CLIPPAIL
	<b>Universal Starter Clip</b>	 400 sq ft Bags (All Decking) (400 sq ft for 16 in O.C.)
<b>Universal Fastener</b> (glass-filled nylon)	 90 Clips/Box (50 sq ft for 16 in O.C.) 900 Clips/Bucket (500 sq ft for 16 in O.C.)	PUNIVCONCLIP DA00002
	<b>Router Bit</b>	 Router Bit

## APPROVED FASTENERS, JOIST SPANS AND CONDITIONAL CONSIDERATIONS

### STYLE SELECTIONS™

Trex Hideaway® Hidden Fastening System  
(Universal Fastener and Connector Clip)

Grip Rite PrimeGuard Plus® High-Performance  
Composite Decking Screws II\*

FastenMaster® VersaClip™ Universal Hidden Deck Fastener\*\*

For best results, we recommend the above fasteners, which work well and provide an attractive appearance. Unless you are toe screwing, you will not have to pre-drill when you use these screws. See *Framing and Fastening Tips*, page 9.

Style Selections recommends the use of two screws per joist.

### MINIMUM FASTENER SIZE

Profile	SCREWS	
	Length	No.
1 in x 6 in	2-1/2 in (6.4 cm) or 2-3/4 in (7 cm)	#8, #10

1 in x 6 in (2.5 cm x 15.2 cm)

If any condition occurs which is attributable to the use of non-recommended fasteners, such condition shall not be covered under the Manufacturer's Warranty.

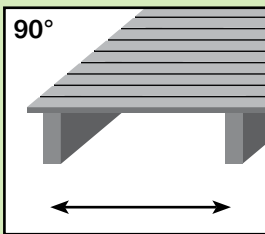
### STYLE SELECTIONS AND STATIC ELECTRICITY

The buildup of static electricity on a flat surface can affect walking surfaces. This phenomenon can occur in dry climates, where hot, dry winds and dust-born particles can create static electricity on the surface of the decking. (This static electricity is the same as when people drag their feet on a dry day or rub a balloon on fur or wool.) In most cases, hosing down the decking surface will dissipate the static charge, however if this continues the deck can be grounded. Consult with an electrician to determine the best methods for this.

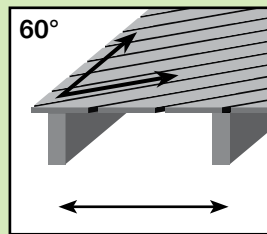
### STYLE SELECTIONS PRODUCTS NEAR LOW-E WINDOWS

Low-E glass reflects more sunlight, and it has been observed that the extra reflectivity combined with any concavity in the glass can act like that of a concave mirror, concentrating sunlight onto outdoor objects, including decking. This can result in an extreme amount of heat concentrated on areas of the decking surface, which in turn can sometimes char the decking surface or cause the decking to slightly bow.

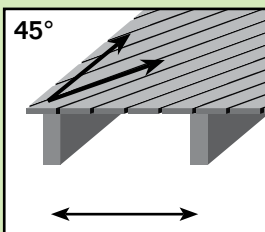
### Adjust Joist Spanning to Accommodate Angled Decking Patterns



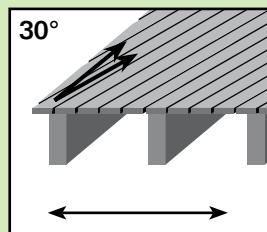
Perpendicular to joists.  
See chart to the right.



At a 60° angle, maximum joist spanning is 2 in (5.1 cm) less than listed in the chart to the right.



At a 45° angle, maximum joist spanning is 4 in (10.2 cm) less than listed in the chart to the right.



At a 30° angle, maximum joist spanning is 1/2 of the distance listed in the chart to the right.

### Style Selections Decking Span Chart (On Center)

	Residential Decks, Light Duty Docks, Residential/Day care Playground	
Decking Loading	100psf (4826 Pa)	200psf (9576 Pa)
Style Selections 1 in x 6 in Boards	16 in (40.6 cm)	12 in (30.5 cm)

\*Grip Rite PrimeGuardPlus® is a registered trademark of PrimeSource Building Products, Inc.

\*\*VersaClip™ is a registered trademark of OMG Inc.



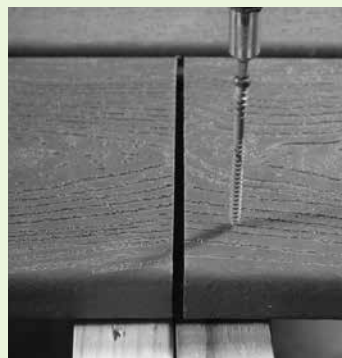
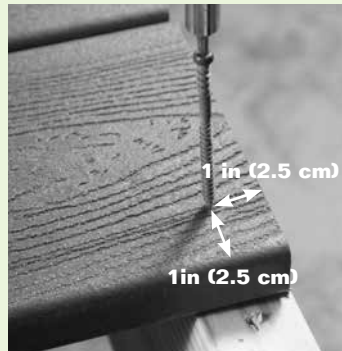
## FRAMING AND FASTENING TIPS

### FRAMING AND FASTENING TIPS

Composite decking is a great alternative to traditional wood decking. When building your deck, it is recommended that code-approved structural material be used as the framing and joists. One option is using Trex Elevations® steel deck framing. Refer to [www.trex.com](http://www.trex.com) for more information on Trex Elevations. Check your local building codes for restrictions. Style Selections™ decking cannot be used for structural applications. Do not attach Style Selections decking directly to any solid surface or watertight system. See *Sleeper Systems on page 10*. In most cases, install fasteners at a 90° angle (perpendicular to the board).

At board ends on the deck's edge, you can install screws placed perpendicularly at the recommended distance, at minimum of 1 in (2.5 cm) from the board end and edge, without splitting the board.

For butt joints, where boards meet over a single joist, add a 2 in x 4 in (5.1 cm x 10.2 cm) "nailer" board at the butt joint. This allows you to install a screw at a 90° angle.



### FASCIA FASTENING TIPS

- ° Style Selections fascia around the base of a deck must be gapped the same as the decking to allow for air flow.
- ° Attach the fascia every 12 in (30.5 cm) with three Style Selections approved screws. Place the top screw 1 in (2.5 cm) from the top of the rim joist, the second screw at the rim joist's center, and the third screw 1 in (2.5 cm) from the bottom of the rim joist.
- ° A construction grade weather resistant adhesive is also recommended to be used as a **SECONDARY** fastener when attaching fascia.

### HIDDEN FASTENER TIPS

#### Start Clips Needed

You will need 0.75 clips for every lineal foot of decking. For example, 40 feet of decking would require 30 start clips.

**0.75 x \_\_\_\_\_ft of decking = # of start clips**

**NOTE:** When using hidden fasteners (both start and connector clips), one must be used on every joist.

#### Calculating the Number of Connector Clips Needed

- ° # of joists x # of decking boards = # of connector clips needed.
- ° Ninety (90) connector clips will cover approximately 50 sq. ft. (103 cm<sup>2</sup>) using 5.5 in (14 cm) decking boards on 16 in (40.6 cm) centers.

### CONNECTOR CLIPS NEEDED

Joist Spacing (on center)	Deck Size Square Feet				
	100	200	300	400	500
12 in (30.5 cm)	210	441	672	882	1113
16 in (40.6 cm)	175	336	512	672	848
24 in (66 cm)	110	231	352	462	583

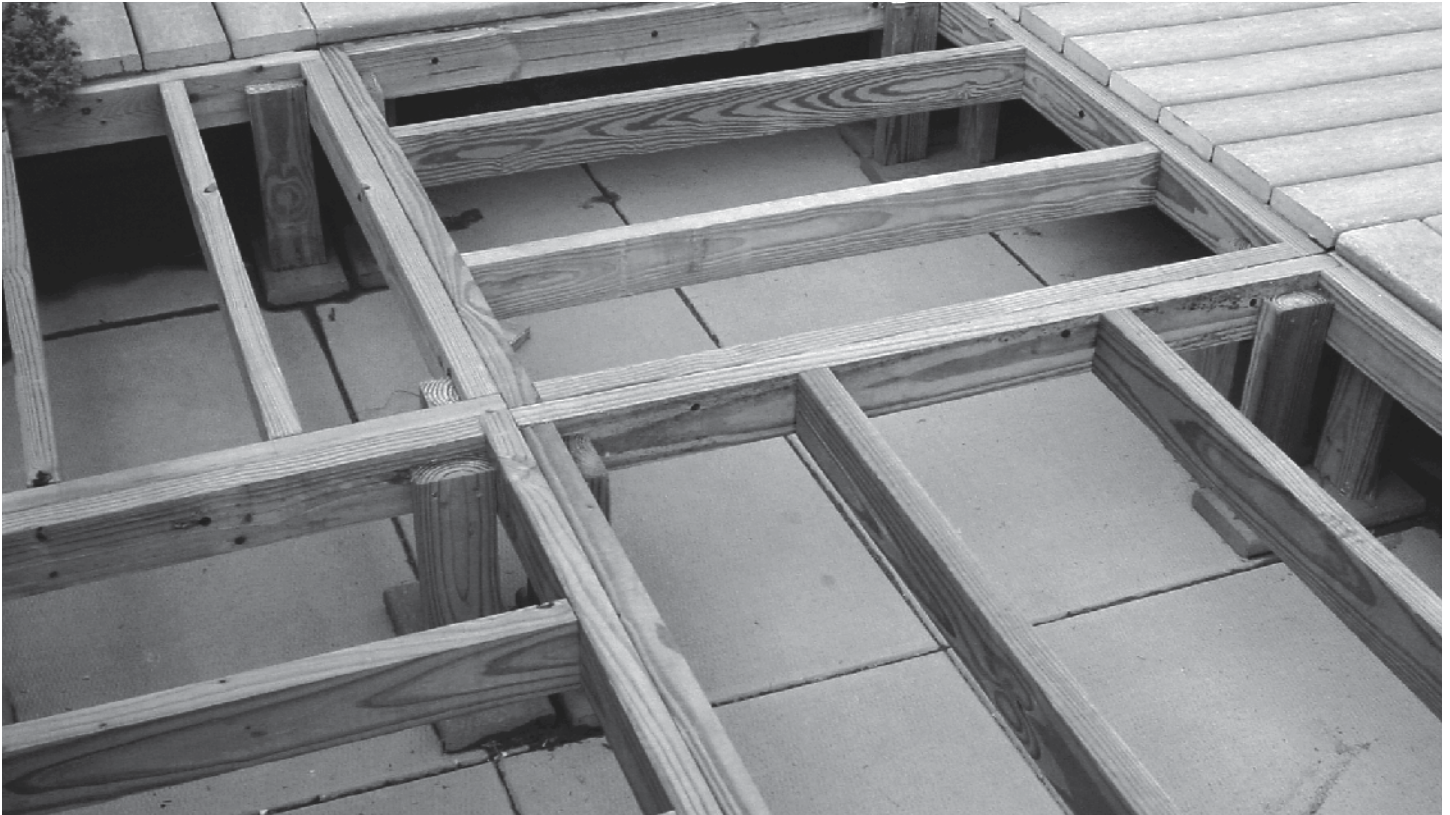
### Dock Applications

Style Selections decking contains no materials that will harm marine life and is safe for the environment. As long as dock is in intermittent contact with water, i.e., splashing and not in continuous direct contact with water, the durability of the Style Selections decking should not be affected.

For docks, a 3/8 in (1 cm) width-to-width gap between boards is recommended to allow for increased drainage due to increased contact with water. In addition, stainless steel fasteners should be used. If there is sufficient contact with the dock and gasoline, grounding of the dock is also recommended.

## ROOFTOP AND SLEEPER DECK SYSTEMS

### *Sleeper Deck Systems*



A sleeper system is a buffer between a solid surface and Style Selections™ decking. Drainage, access and airflow are critical. Water must be able to flow through and away from the deck. For repairs and removal of debris, joist system access is necessary. Good airflow will keep the decking dry and in good condition.

Style Selections, when used with a sleeper system, must be supported below its entire length and if used in a roofing application, the supports must run the direction of the pitch of the roof to facilitate proper drainage. In addition, sleeper joists must be attached to the roof structure in a manner that stabilizes the deck frame. Failure to do so may result in a poor structure which will compromise deck performance.

In areas of application where a sleeper system is required that would not be susceptible to excessive debris buildup (examples would include covered areas such as balconies, porches, etc.), a minimum height of 1-1/2 in (3.8 cm) for pressure-treated joists as well as a minimum 1/4 in (0.6 cm) gap between Style Selections decking would be acceptable. These areas would still have to be designed to allow for proper drainage and hidden fasteners would be acceptable. However, if access to the structure under the decking is required, it would be recommended to use either the Universal Fastener (plastic) or 2 in (5.1 cm) composite decking screws.

A 1/4 in (0.6 cm) to 1/2 in (1.3 cm) gap is still required when abutting walls or other fixed objects.

In all other areas where there could be excessive water buildup along with debris buildup, Style Selections would recommend a minimum height of 3-1/2 in (8.9 cm) for pressure-treated joists, as well as a gap of 3/8 in (1 cm). For this application, hidden fasteners would not be recommended and standard 3 in (7.6 cm) composite screws would be used.

**ALWAYS** consult your local building code authority for proper details on roof and railing installation to the roof structure if required.

#### ROOFTOP DECK TIPS

- If you want to access the roof, you must build the Style Selections deck in removable sections or with removable fasteners.
- You must attach the sleeper joists to the roof structure so that they stabilize the deck frame. Failure to do so may result in a poor structure which will compromise deck performance.

## GAPPING

You must gap Style Selections™ decking, both end-to-end and width-to-width. Gapping is necessary for drainage and the slight thermal expansion and contraction of Style Selections decking boards. Gapping also allows for the shrinkage of the wood joist system.

- ° Always follow Style Selections-recommended gapping guidelines.
- ° Maximum allowable perpendicular overhang for Style Selections is 4 in (10.2 cm) for non-walking surfaces only.
- ° All decks require air circulation to keep them dry and looking good. To improve air flow, leave openings under the decking or increase gapping to 3/8 in (1 cm).

WIDTH-TO-WIDTH GAP	
Above 40°F* (4.5°C)*	1/4 in (0.6 cm)
Below 40°F* (4.5°C)*	3/8 in (1 cm)

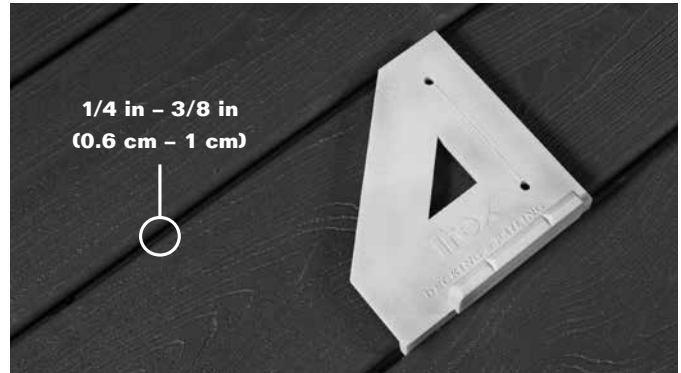
\*Temperature at installation.

END-TO-END/END-TO-WIDTH AND ABUTTING GAP		
	End-to-End/ End-to-Width	Abutting Gap
Above 40°F* (4.5°C)*	1/8 in (0.3 cm)	1/4 in (0.6 cm)
Below 40°F* (4.5°C)*	3/16 in (0.5 cm)	1/2 in (1.3 cm)

\*Temperature at installation.

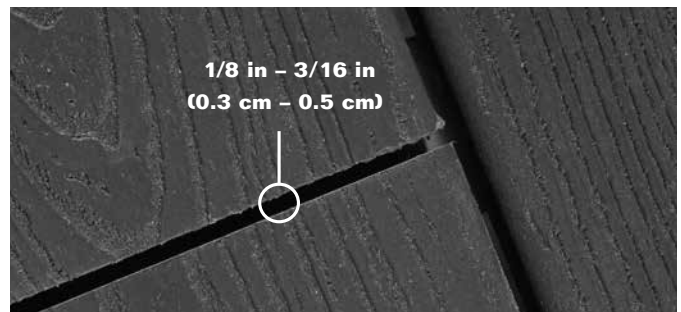
**When you use the recommended hidden fasteners, the placement of the hidden fastener establishes the designated gap size.**

**When installing fascia, gapping rules must apply.**



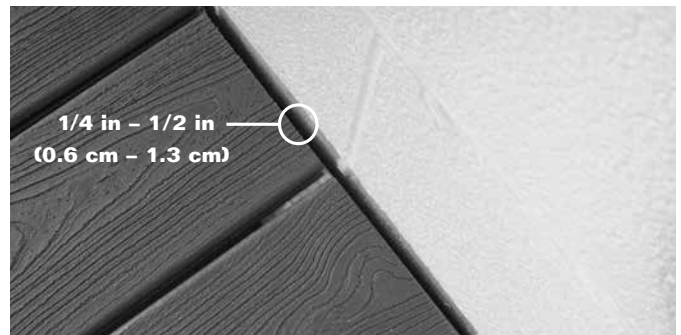
### Width-to-Width

The minimum required width-to-width gapping is 1/4 in (0.6 cm). When installing in temperatures below 40°F (4.5°C), Style Selections recommends 3/8 in (1 cm) gapping. For docks and heavily wooded areas, Style Selections recommends a 3/8 in (1 cm) gap as well. No gapping should ever exceed 1/2 in (1.3 cm).



### End-to-End/End-to-Width

Gap Style Selections decking end-to-end, based upon the temperature at installation. See chart at left. For fastening tips, see page 9.



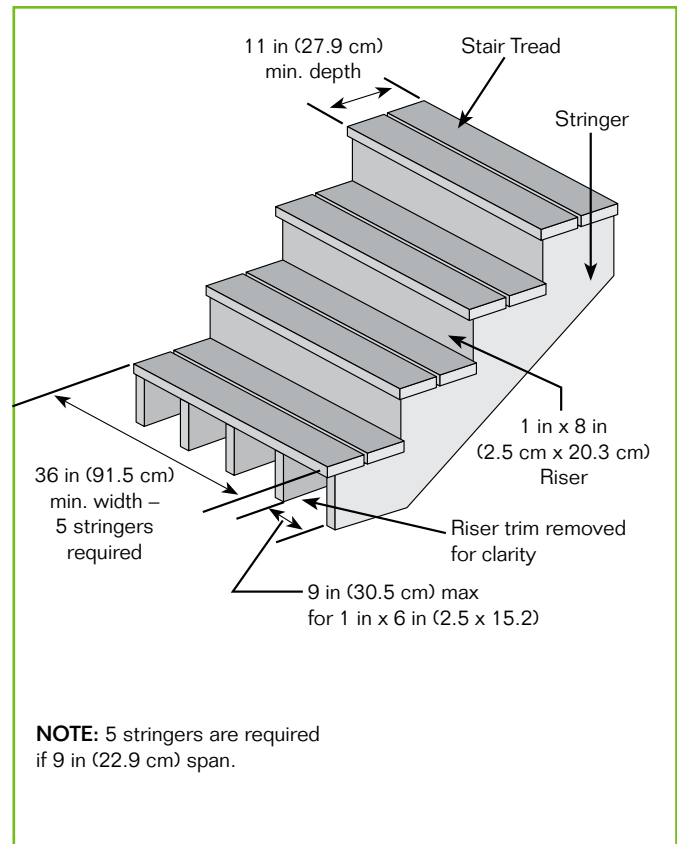
### Abutting Solid Objects

When decking is abutting a wall, you must also gap it 1/4 in – 1/2 in (0.6 – 1.3 cm) depending on the temperature at installation. See chart at left.

## STAIRS

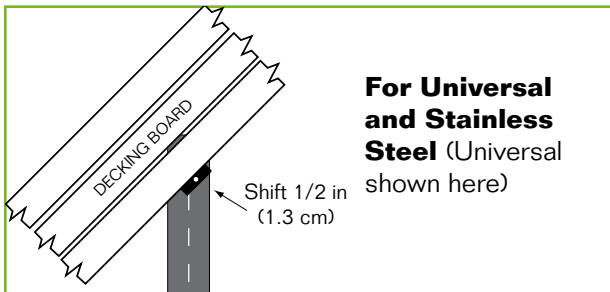
### Stairway Detail

- ° Stair treads built with Style Selections™ meet requirements by the major national building codes. Consult your local municipality for specific requirements.
- ° Fasten stair treads continuously across at least five stringers.
- ° See chart (at right) for center-to-center spacing of profiles.
- ° Dress the sides of the stringers and risers with Style Selections fascia or trim for a finished look.
- ° Most model building codes require the stair treads to be constructed under the following requirements:
  - » Stairways must be at least 36 in (91.5 cm) wide
  - » Stair treads must be at least 11 in (27.9 cm) deep
- ° Gapping between Style Selections boards on stair treads must be 1/4 in – 3/8 in (0.6 cm – 1 cm).
- ° The overhang of the stair tread is not to exceed 1/2 in (1.3 cm).



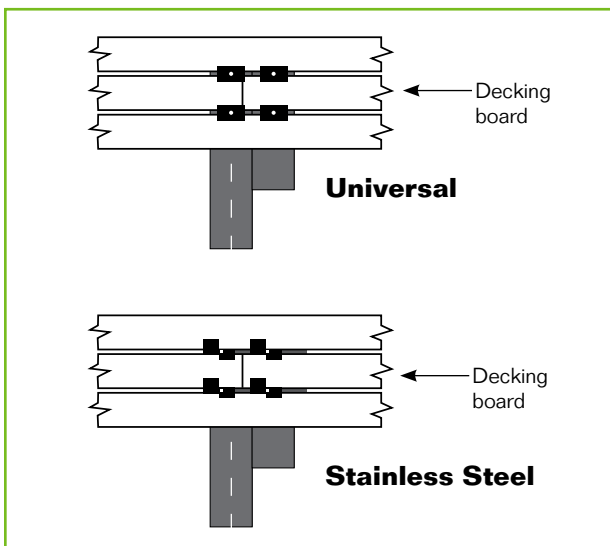
## TIPS FOR INSTALLING TREX HIDEAWAY® HIDDEN FASTENING SYSTEM

### Installing Angled Deck Boards in Corners



**ALWAYS** start in corner with a small triangular piece of decking at 45° and work outwards. Install Trex Hideaway fasteners 1/2 in (1.3 cm) off center to keep fastener screws in middle of joists.

### How to Butt Seams



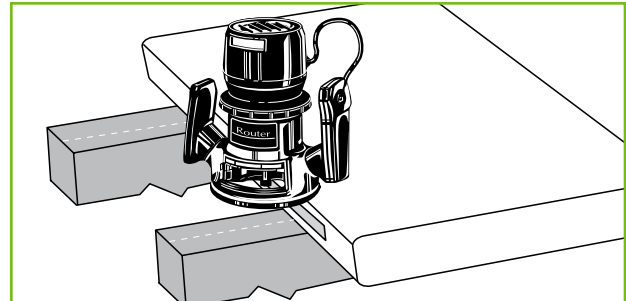
1. Install 10 in – 12 in (25.4 cm – 30.5 cm) framing boards along joists where seams will butt.
2. Place additional fasteners on the adjacent board over the joist and framing boards where the seam will be.
3. Put the first board of the seam in place and secure with fastener.
4. Butt end of second board to first and secure with fastener.

**NOTE:** Follow end-to-end gapping specifications on page 11

5. Place second set of fasteners on each side of butt seam for next board.

### Routing Square Edge Boards for Trex Hideaway Fasteners

**NOTE:** The 1x6 Style Selections™ Square Edge decking board can be routed.



Using a Trex® router bit/groove cutter available at your local Style Selections dealer:

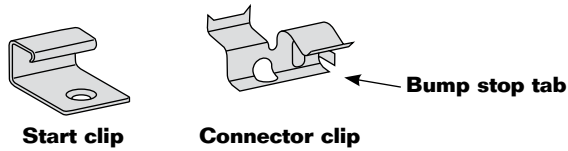
1. Rout from bottom side of board.
2. Rout the entire length of the board, or at every intersection where the board is over support joists.



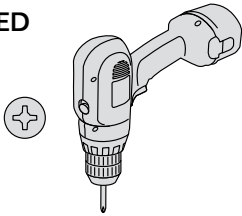
**NOTE:** Hidden Fasteners **MUST** be used at every joist.

## HOW TO INSTALL TREX HIDEAWAY® STAINLESS STEEL FASTENERS

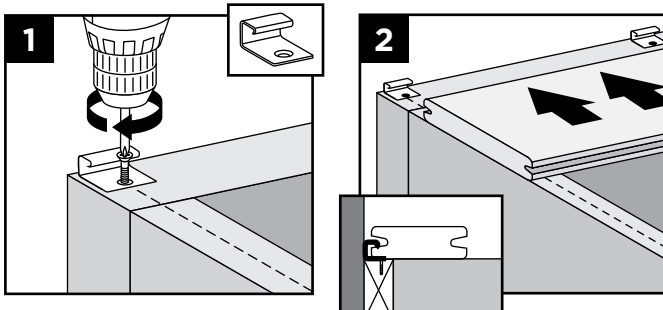
### PARTS



### TOOLS NEEDED



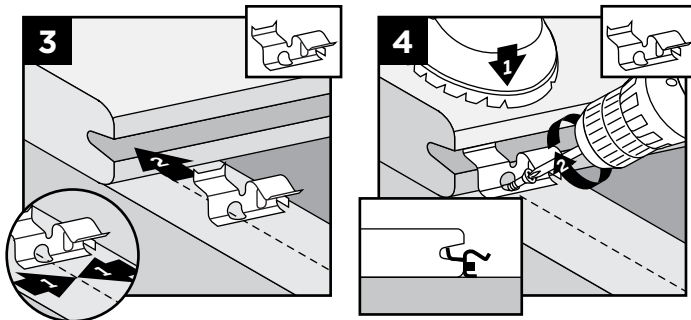
**NOTE:** Maximum spacing of deck boards using the Hideaway system is 16 in (40.6 cm) on center. Fasteners provide 1/4 in (0.6 cm) gap when installed correctly.



### Installing Start Clips and First Board

1. Install start clips on edge of ledger board, centered on each joist. Secure clips with screws.
2. Push grooved edge of deck board into start clips. Important: First deck board **MUST** be straight and well secured.

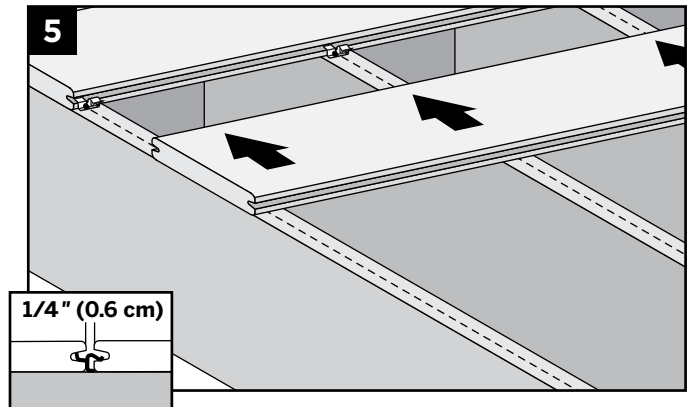
### Installing Stainless Steel Connector Clips



3. Insert connector clip into grooved edge of deck board at approximate 45 degree angle by seating the teeth in the top of the groove.

4. Center connector clip on joist and secure with screw (provided) at 45° angle while standing on board and applying pressure to clip. Install one connector clip on each joist. Connector clips **MUST** be vertical to deck boards with screws securing clips in board's grooved edge.

### Installing Second Board



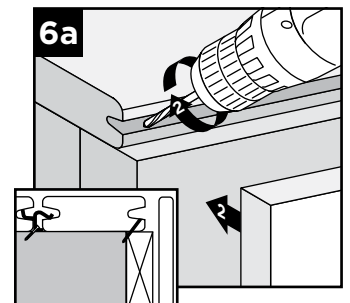
5. With next deck board in position and 2 in (5.1 cm) from connector clips, push the boards with enough force to fully seat the clips in its grooved edge. Check gaps between boards. Fully engaged, the connector clip's bump stop tab provides a consistent 1/4 in (0.6 cm) gap.

### Installing the Last Board

#### Option 1:

#### Using a Fascia Board

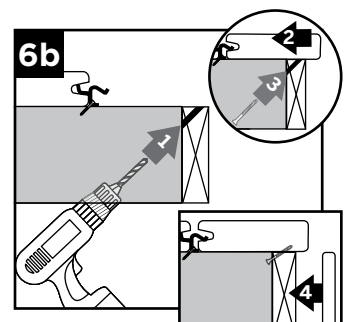
- 6a. Pre-drill pilot holes at an angle through grooved edge of deck board into ledger board. Install 2-1/2 in (6.4 cm) decking screw using pilot holes to secure. Attach a fascia board flush with deck surface.



#### Option 2:

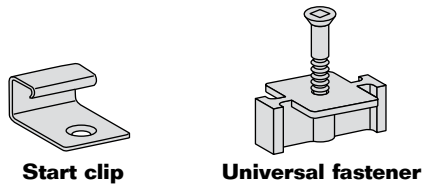
#### With Deck Board Overhang

- 6b. Pre-drill pilot holes at 45° angle from below deck surface through rim joist. Seat last board into fasteners overhanging rim joist. Secure last board with 2-1/2 in (6.4 cm) decking screws using pilot holes. Position fascia board below overhanging deck board.

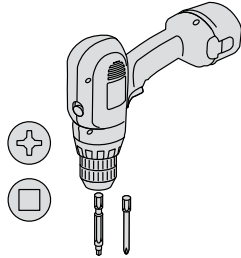


# HOW TO INSTALL TREX HIDEAWAY® UNIVERSAL HIDDEN FASTENERS

## PARTS

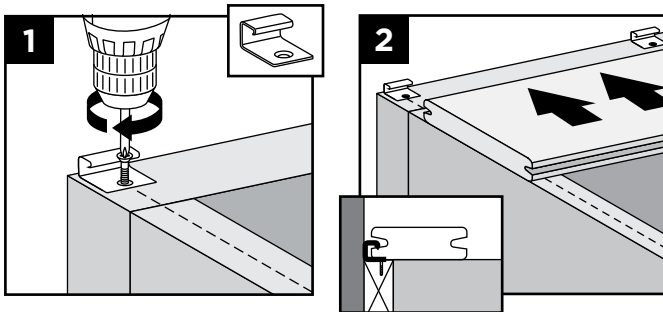


## TOOLS NEEDED



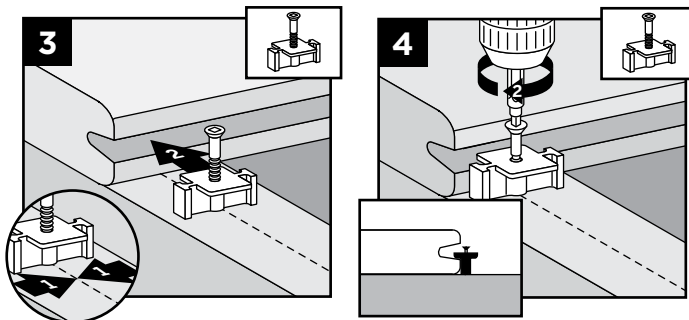
**NOTE:** Maximum spacing of deck boards using the Hideaway system is 16 in (40.6 cm) on center. Fasteners provide 1/4 in (0.6 cm) gap when installed correctly.

### Installing Start Clips and First Board



1. Install start clips on edge of ledger board, centered on each joist. Secure clips with screws.
2. Push grooved edge of deck board into start clips. Important: First deck board **MUST** be straight and well secured.

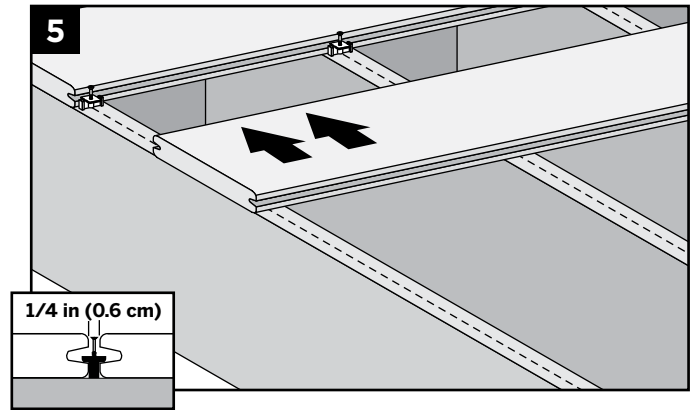
### Installing Universal Fasteners



3. Insert fastener into grooved edge of deck board.
4. Align screw hole in fastener with center of joist. Continue along the length of the board at every joist.

**NOTE:** Screw only half way down. **DO NOT** fully tighten.

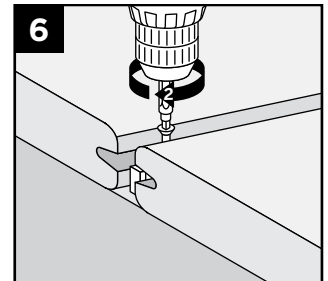
### Installing Second Board



5. Slide second board into place, making sure fasteners fit into groove. Install the next universal fastener on the other side of the second board in the same manner as Steps 3 and 4. **DO NOT** fully tighten the screw.

### Complete Installation

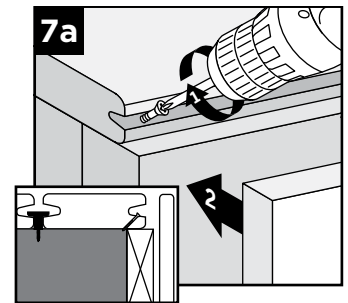
6. Tighten screws on fasteners in first row. Proceed with Steps 3 through 5, tightening down each row after board that follows is in place. Be sure to use a long #1 square bit.



### Installing the Last Board

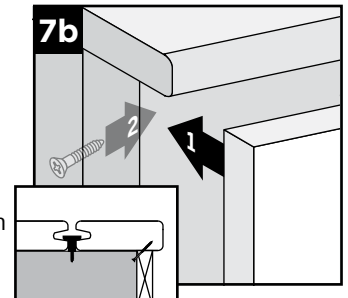
#### Option 1: Using a Fascia Board

- 7a. Pre-drill pilot holes at an angle through grooved edge of deck board into ledger board. Install 2-1/2 in (6.4 cm) decking screw using pilot holes to secure. Attach a fascia board flush with deck surface.



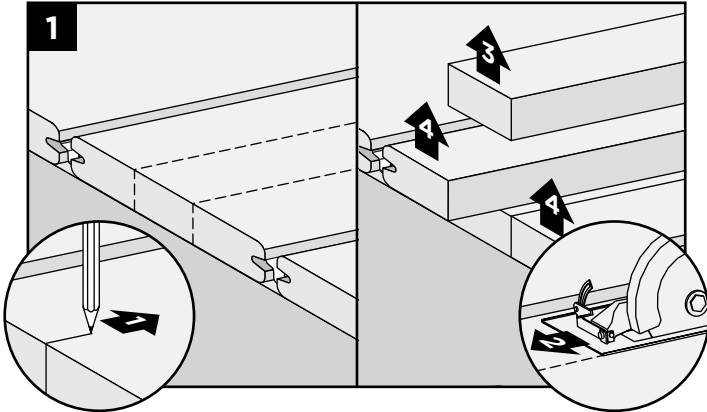
#### Option 2: With Deck Board Overhang

- 7b. Pre-drill pilot holes at 45° angle from below deck surface through rim joist. Seat last board into fasteners overhanging rim joist. Secure last board with 2-1/2 in (6.4 cm) decking screws using pilot holes. Position fascia board below overhanging deck board.

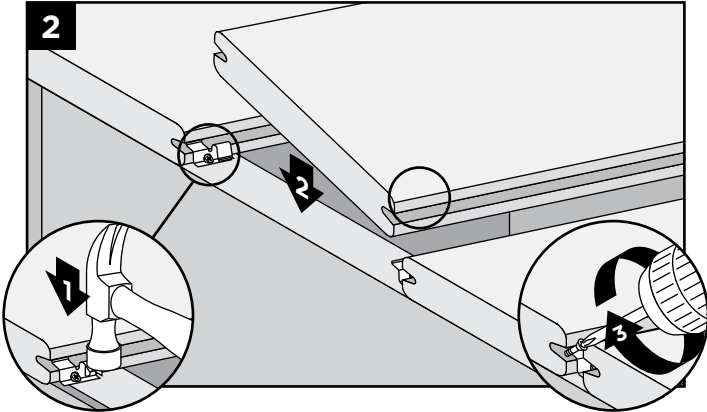


# HOW TO REPLACE STYLE SELECTIONS™ BOARDS INSTALLED WITH STAINLESS STEEL FASTENERS

## Stainless Steel Fasteners



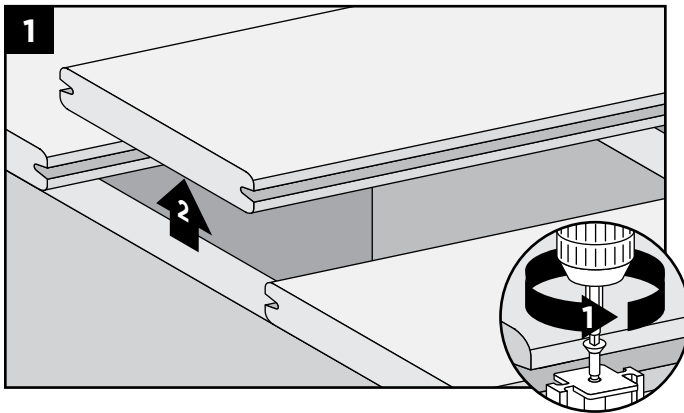
1. Mark the board to be replaced in thirds. Cut each side of middle section and remove it. Remove remaining two sections.



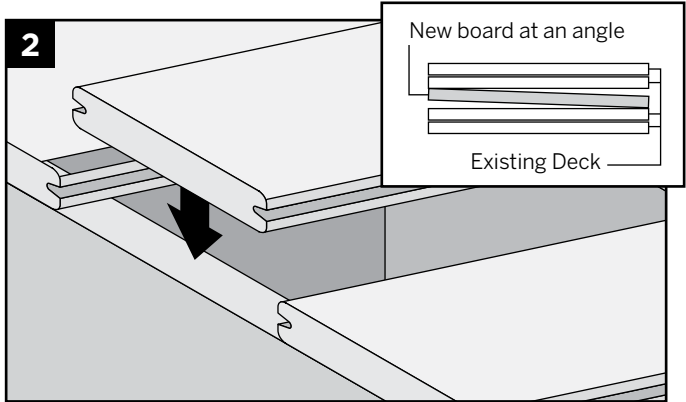
2. Hammer down the exposed side of the connector clips. Place the new board into position using a pry bar to maneuver it into place. Secure board on grooved edge with finish nails, screws or use counter drill, screws and plugs.

# HOW TO REPLACE STYLE SELECTIONS™ BOARDS INSTALLED WITH TREX HIDEAWAY® UNIVERSAL FASTENERS

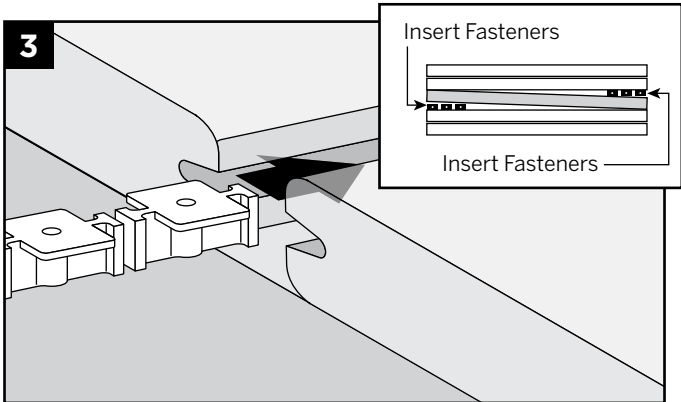
## Universal Fasteners



1. Remove screws from fasteners on both sides of board to be replaced and remove board.



2. Angle new board to place. See inset box (above).



3. Slide a fastener for each joist into board grooves from both ends of the board.

**NOTE:** You may have to loosen adjacent boards to slide fasteners into position.

4. Position replacement board and secure fasteners on center of each joist.



## HOW TO INSTALL STAIR TREADS

### Installation Options

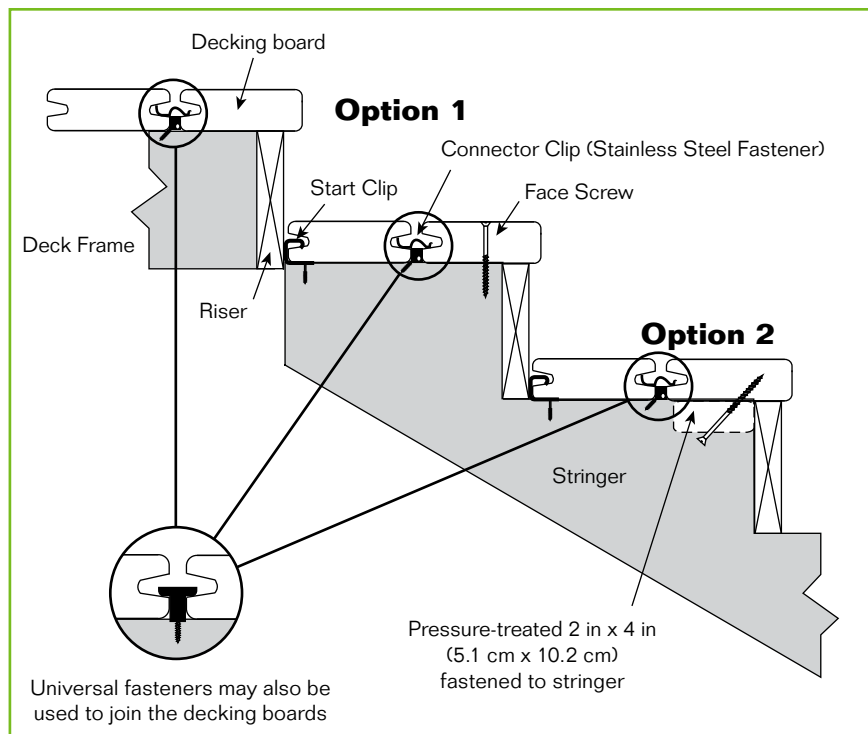
**NOTE:** For best results use square edge decking and manually route sides that will be used to attach hidden fasteners.

#### Option 1: Face Screw

1. Install start clips against riser on each step.
2. Install first board. *Follow steps on page 15.*
3. Install second board. *Follow steps on page 15.*
4. Secure with screws from top of second board into stringer boards.

#### Option 2: Using 2 in x 4 in (5.1 cm x 10.2 cm) Wood Support Blocks

1. Install start clips against riser on each stair tread.
2. Install first board. *Follow steps on page 15.*
3. Attach 2 in x 4 in (5.1 cm x 10.2 cm) blocks between stringers.
4. Pre-drill holes up through blocks.
5. Install second board. *Follow steps on page 15.*
6. Secure with screws from bottom through blocks and into stair treads.



## LIMITED RESIDENTIAL WARRANTY

Manufacturer (hereinafter "Manufacturer") warrants to the original residential purchaser ("Purchaser") that, for a period of twenty-five (25) years, Style Selections™ products produced by the Manufacturer (the "Product") will meet the following warranties:

**General Warranty:** The Product shall be free from material defects in workmanship and materials, and shall not split, splinter, rot or suffer structural damage from termites or fungal decay.

**Fade Resistance:** The Product shall not fade in color from light and weathering exposure as measured by color change of more than 5 Delta E (CIE) units.

The Product is designed to resist fading. No material is fade proof when exposed to years of UV exposure and the elements. The Product is designed to resist fading, and will not in any event fade by more than 5 Delta E (CIE) units.

**Stain Resistance:** The Product shall be resistant to permanent staining resulting from spills of food and beverage items including ketchup, mustard, salad oils, tea, wine, coffee, fruit punch, barbecue sauce, grease, sodas and other food and beverage related items that would typically be present on a residential deck, or mold and mildew naturally occurring in the environment, provided that such substances are removed from the Product with soap and water or mild household cleaners after no more than one (1) week of exposure of the food or beverage to the surface or first appearance of the mold and mildew.

Notwithstanding the foregoing, Manufacturer does not warrant that the Product is stain-proof, and does not warrant stain resistance resulting from spilled or otherwise applied food and beverage substances which are not properly cleaned as provided above within one (1) week of exposure. In addition, materials not covered in the stain resistant warranty include abrasive compounds of acidic or basic pH, paints or stains, strong solvents, metallic rust or other abnormal deck use items, and non-food and non-beverage substances, including but not limited to, biocides, fungicides, plant food, or bactericides. Mold and mildew can settle and grow on any outdoor surface, including this Product. You should periodically clean your deck to remove dirt and pollen that can feed mold and mildew. This warranty does not cover mold and mildew which is not properly cleaned as provided above within one (1) week of first appearance.

**Transferability:** This warranty may be transferred one (1) time, within the five (5) year period beginning from the date of original purchase by the Purchaser, to a subsequent buyer of the property upon which the Products were originally installed.

### EXCLUSIONS FROM WARRANTY COVERAGE:

**Exposure to Heat:** Direct or indirect contact with extreme heat sources (over 275 degrees) may cause fading and may damage the surface of the Product, and any effects of such exposure are expressly excluded from coverage under this warranty.

**Surface Damage:** Never use metal shovels or sharp-edged tools to remove snow and ice on the surface of the Product. If the surface of the Product is damaged or punctured, this warranty will be voided.

**Paint or Other Materials Applied to the Product:** If paint or other coating materials are applied to the Product, this warranty will be voided.

**Other Exclusions:** Notwithstanding the foregoing, Manufacturer does not warrant against and is not responsible for, and no implied warranty shall be deemed to cover, any condition attributable to: (1) improper installation of the Products and/or failure to abide by Manufacturer's installation guidelines, including but not limited to improper gapping; (2) use of the Products beyond normal residential use and service conditions, or in an application not recommended by Manufacturer's guidelines and local building codes; (3) movement, distortion, collapse or settling of the ground or the supporting structure on which the Products are installed; (4) any act of God (such as flooding, hurricane, earthquake, lightning, etc.), environmental condition (such as air pollution, mold, mildew, etc.), staining from foreign substances (such as dirt, grease, oil, etc.), normal weathering (defined as exposure to sunlight, weather and atmosphere which will cause any colored surface to gradually fade, chalk, or accumulate dirt or stains), or variations or changes in color of the Products (except as expressly provided above in the Fade and Stain Warranties); (5) improper handling, storage, abuse or neglect of Manufacturer products by Purchaser, the transferee or third parties; or (6) ordinary wear and tear.

### Procedure for Making a Claim under this Warranty

In order to make a claim under this warranty, Purchaser must do the following:

1. If the Purchaser is making a claim relating to the warranty on stain resistance, Purchaser must do as follows:

(a) Purchaser must try to clean the affected area of the deck by using the cleaning procedures described above within one (1) week of exposure of the food or beverage to the Product or first appearance of the mold and mildew.

(b) If the affected area remains reasonably unsatisfactory after Purchaser has tried these cleaning procedures, then Purchaser must have the affected area of the deck professionally cleaned at Purchaser's expense.

(c) If the affected area remains reasonably unsatisfactory after the professional cleaning, Purchaser may make a claim under this warranty, provided that such claim is made within thirty (30) days after the professional cleaning.

2. To make a claim under this limited warranty, Purchaser, or the transferee, shall send to Manufacturer, within the warranty period referred to above, a description and photographs of the affected area of the Product, proof of purchase, and if the claim relates to the warranty on stain resistance, proof of compliance with paragraph 1. above, to the following address:

Style Selections Manufacturer  
Consumer Relations  
160 Exeter Drive  
Winchester, VA 22603-8605

3. Upon confirmation by an authorized Manufacturer representative of a valid claim hereunder, Manufacturer's sole responsibility shall be, at its option, to either replace the affected item or refund the portion of the purchase price paid by Purchaser for such affected item (not including the cost of its initial installation). Replacement

material will be provided that is as close as possible in color, design and quality as the replaced material, but Manufacturer does not guarantee an exact match as colors and design may change.

4. If a valid warranty claim hereunder is made during years eleven (11) through twenty-five (25) after the original purchase for a residential application, recovery will be prorated. If Manufacturer is providing replacement materials, it may elect to replace the percentage listed below of boards otherwise meeting the requirements for a claim, or if it is refunding the purchase price, it may elect to refund the percentage listed below of the purchase price of boards otherwise meeting the requirements for a claim.

Year of Warranty Claim	Percentage Recovery
11	80%
12	80%
13	80%
14	60%
15	60%
16	60%
17	40%
18	40%
19	40%
20	20%
21	20%
22	20%
23	10%
24	10%
25	10%

**5. THIS WARRANTY SHALL NOT COVER AND MANUFACTURER SHALL NOT BE RESPONSIBLE FOR COSTS AND EXPENSES INCURRED WITH RESPECT TO THE REMOVAL OF AFFECTED PRODUCT OR THE INSTALLATION OF REPLACEMENT MATERIALS, INCLUDING BUT NOT LIMITED TO LABOR AND FREIGHT.**

**UNDER NO CIRCUMSTANCES WILL MANUFACTURER BE LIABLE FOR SPECIAL, INCIDENTAL OR CONSEQUENTIAL DAMAGES, WHETHER SUCH DAMAGES ARE SOUGHT IN CONTRACT, IN TORT (INCLUDING BUT NOT LIMITED TO NEGLIGENCE AND STRICT LIABILITY) OR OTHERWISE, AND MANUFACTURER'S LIABILITY WITH RESPECT TO PRODUCTS SHALL IN NO EVENT EXCEED THE REPLACEMENT OF SUCH PRODUCTS OR REFUND OF THE PURCHASE PRICE, AS DESCRIBED ABOVE.**

Some States or Provinces do not allow the exclusion or limitation of incidental or consequential damages, so the above limitation or exclusion may not apply to you. This warranty gives you specific legal rights, and you may also have other rights that vary from State to State or Province to Province.

Copyright © 2014 Lowe's. All Rights Reserved.