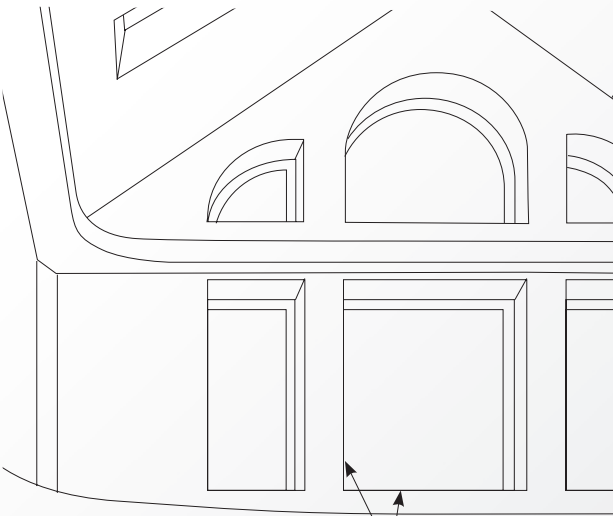


STRAIT-FLEX®

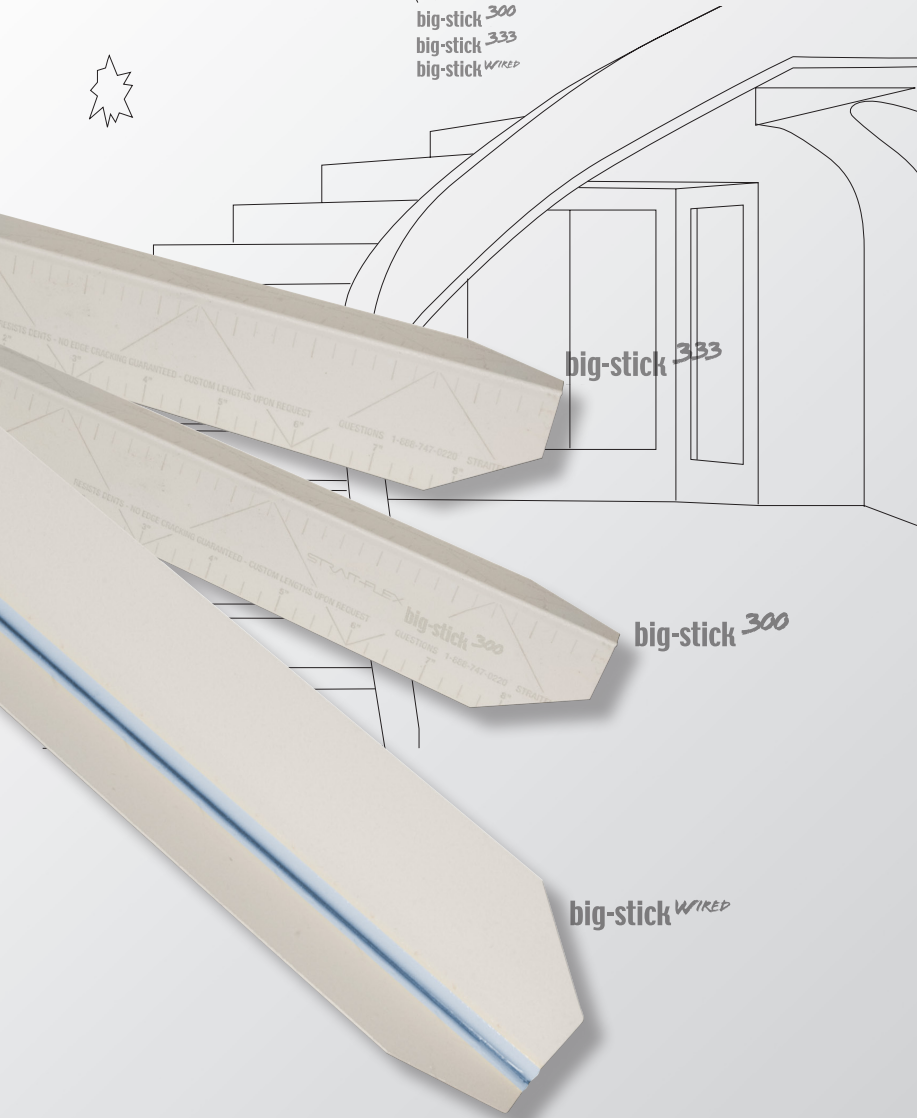
# big-stick<sup>300</sup> big-stick<sup>333</sup> big-stick<sup>WIRED</sup>

COMPOSITE DRYWALL CORNER BEAD

Easiest to Install and the  
Most Damage Resistant



big-stick<sup>300</sup>  
big-stick<sup>333</sup>  
big-stick<sup>WIRED</sup>



## APPLICATIONS

- Vertical or horizontal outside 90° corners.
- High traffic areas where bumps and dents to corners most commonly occur.
- Double 5/8" applications and framing irregularities (Big-Stick333)
- Replacing damaged metal corner bead.

## PRODUCT DESCRIPTION

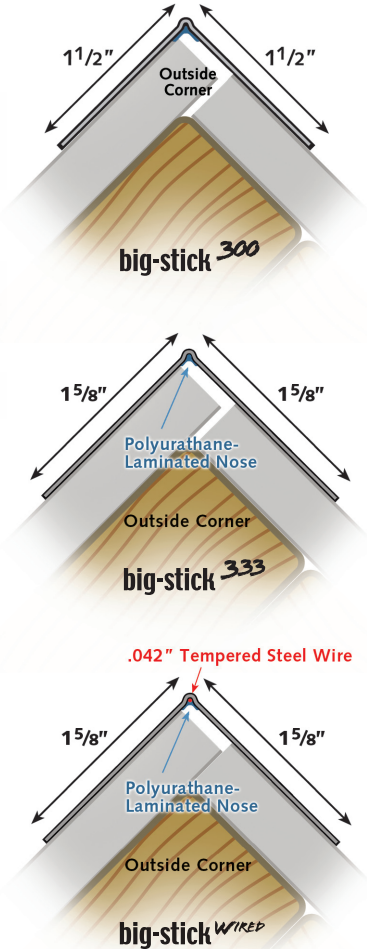
- Clean installation. No mess.
- Big-Stick Wired features a tempered, rust-proof, steel backbone for extra tough corners.
- PUR-laminated nose resists dents and provides a beautiful corner without fuzz-up during finishing and sanding.
- Second coat of compound can be applied immediately – very light skim coat to finish.
- Easiest corner bead on the market to repair.
- Cuts easily. (Big-Stick300) (Big-Stick333)
- Guaranteed: No edge cracking.



PROFESSIONAL GRADE

## ADVANTAGES OVER COMPETITORS

STRAIT-FLEX BIG-STICK 300/333 CORNER BEAD	STRAIT-FLEX BIG-STICK WIRED CORNER BEAD	COMPETITOR VINYL CORNER BEAD	COMPETITOR METAL/PAPER-FACE CORNER BEAD
Damage Resistant, will not Chip or Dent	High Impact Damage Resistant, will not Chip or Dent	Damage Resistant, but Paint will Chip	Will Damage and Dent, Paint will Chip
Easy to Repair with Utility Knife	Easy to Repair	Not Easy to Repair	Very Difficult to Repair
Applies with Compound	Applies with Compound	Applies with Glue or Fasteners	Applies with Compound
Light Fill	Light Fill	Heavy Fill	Heavy Fill
Will not Rust	Will not Rust	Fasteners may Rust	Will Rust



## DIRECTIONS FOR USE

- 1 Cut Strait-Flex BIG-STICK or BIG-STICK WIRED to measured length. For vertical corners, cut 1/4" short of floor.
- 2 Apply all-purpose joint compound with Mud-Pro2 (compound applicator) to corner bead; or apply compound to outside corners with a 5" or 6" taping knife.
- 3 Press corner bead into wet compound by hand or use Strait-Flex's Big-Stick Rolling Tool (300 or 333) for fastest results. Adjust if necessary to create a straight line. Wipe down edges and let dry.
- 4 Apply final coat, let dry, and sand.

*REPAIRS OVER PAINTED SURFACES. Strait-Flex recommends the use of Strait-Flex Super-Bond or latex paint, mixed with all-purpose joint compound, for enhanced bondability.*

## SPECIFICATIONS BIG-STICK 300

■ 3" x 8'	■ 3" x 9'	■ 3" x 10'
■ Color Code BLUE	■ Color Code BLUE	■ Color Code BLUE
■ Item# BS-300-8	■ Item# BS-300-9	■ Item# BS-300-10
■ WHOLESALE CASE UPC 6-56690-22571-3 50 pcs per case. 400 lf total per case. Case weight: 24.7 lbs. 24 cases per pallet.	■ WHOLESALE CASE UPC 6-56690-22573-7 50 pcs per case. 450 lf total per case. Case weight: 28 lbs. 24 cases per pallet.	■ WHOLESALE CASE UPC 6-56690-22575-1 50 pcs per case. 500 lf total per case. Case weight: 34 lbs. 24 cases per pallet.

## SPECIFICATIONS BIG-STICK 333

■ 3-3/8" x 8'	■ 3-3/8" x 9'	■ 3-3/8" x 10'	■ 3-3/8" x 12'
■ Color Code BLUE	■ Color Code BLUE	■ Color Code BLUE	■ Color Code BLUE
■ Item# BS-333-8	■ Item# BS-333-9	■ Item# BS-333-10	■ Item# BS-333-12
■ WHOLESALE CASE UPC 6-56690-12355-2 50 pcs per case. 400 lf total per case. Case weight: 27 lbs. 24 cases per pallet.	■ WHOLESALE CASE UPC 6-56690-22355-9 50 pcs per case. 450 lf total per case. Case weight: 30 lbs. 24 cases per pallet.	■ WHOLESALE CASE UPC 6-56690-32355-6 50 pcs per case. 500 lf total per case. Case weight: 34 lbs. 24 cases per pallet.	■ WHOLESALE CASE UPC 6-56690-21260-9 50 pcs per case. 600 lf total per case. Case weight: 40 lbs. 24 cases per pallet.

## SPECIFICATIONS BIG-STICK 300 (WIRED)

■ 3" x 8'	■ 3" x 9'	■ 3" x 10'
■ Color Code BLUE	■ Color Code BLUE	■ Color Code BLUE
■ Item# BSW-300-8	■ Item# BSW-300-9	■ Item# BSW-300-10
■ WHOLESALE CASE UPC 6-56690-21291-1	■ WHOLESALE CASE UPC 6-56690-21292-8	■ WHOLESALE CASE UPC 6-56690-21293-5

## SPECIFICATIONS BIG-STICK 333 (WIRED)

■ 3" x 8'	■ 3" x 9'	■ 3" x 10'
■ Color Code BLUE	■ Color Code BLUE	■ Color Code BLUE
■ Item# BSW-333-8	■ Item# BSW-333-9	■ Item# BSW-333-10
■ WHOLESALE CASE UPC 6-56690-2125406	■ WHOLESALE CASE UPC 6-56690-21255-3	■ WHOLESALE CASE UPC 6-56690-21256-0