



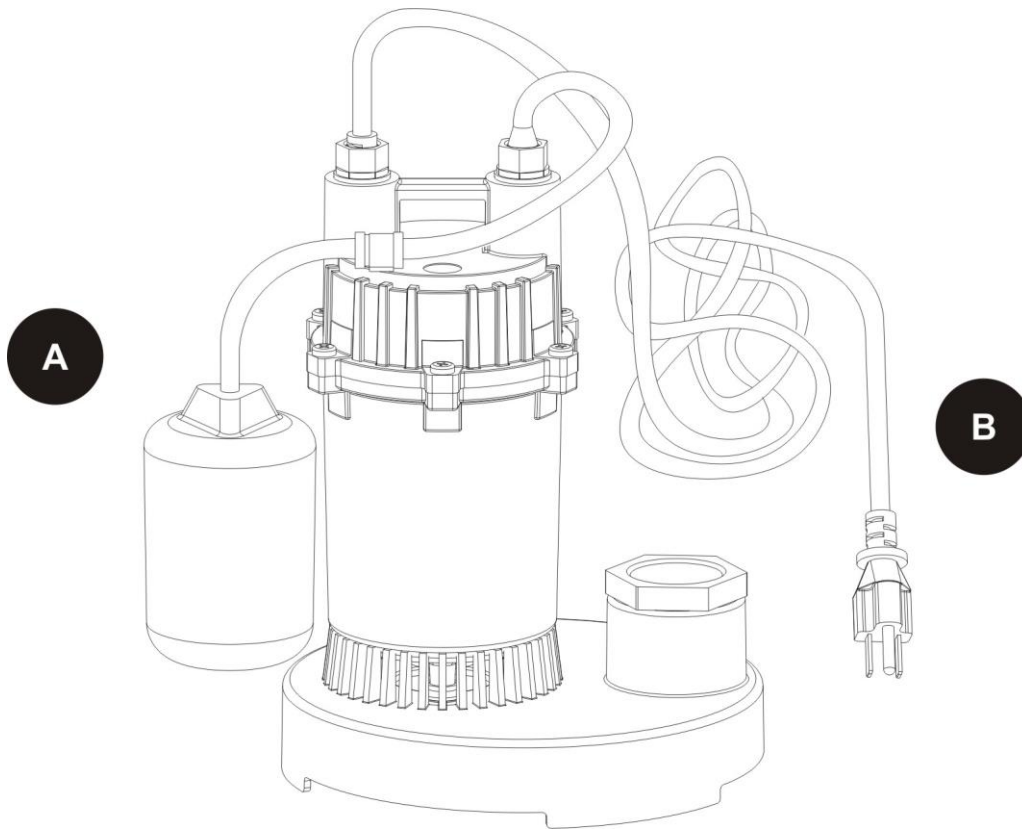
ITEM #0079356

SUBMERSIBLE SUMP PUMP

Utilitech® is a registered trademark of LF, LLC. All Rights Reserved.

MODEL: PPSP33

Español p. 10



PACKAGE CONTENTS

| Part | Description | Quantity |
|------|-------------|----------|
| A | Pump | 1 |
| B | Adaptor | 1 |

ATTACH YOUR RECEIPT HERE

Serial Number _____ Purchase Date _____



Questions, problems, missing parts? Before returning to your retailer, call our customer service department at 1-866-994-4148, 8 a.m. – 5 p.m., EST, Monday – Friday.

TABLE OF CONTENTS

| | |
|--------------------------------|---|
| Specifications..... | 2 |
| Construction..... | 2 |
| Safety information..... | 3 |
| Performance..... | 4 |
| Preparation..... | 5 |
| Installation instructions..... | 5 |
| Troubleshooting..... | 7 |
| Warranty..... | 9 |

SPECIFICATIONS

| | |
|---|---|
| Power supply required..... | 115V, 60 HZ |
| Water temperature range..... | Max. 77°F (25°C) |
| Individual branch circuit required..... | 15 Amp minimum |
| Discharge..... | 1-1/2 in. FNPT or 1-1/4 in. FNPT (with adaptor) |
| Motor..... | Permanent Split Capacitor, with thermal overload protection |
| Power cord..... | SJTW, 18AWG/3C, 10ft |

CONSTRUCTION

| | |
|-----------------------------|--------------------------|
| Motor housing..... | Aluminum die-casting |
| Volute (Intake screen)..... | Thermoplastic |
| Impeller..... | Reinforced thermoplastic |

SAFETY INFORMATION

Please read and understand this entire manual before attempting to assemble, operate or install the product. If you have any questions regarding the product, please call customer service at 1-866-994-4148, 8 a.m. - 5 p.m., EST, Monday - Friday.

WARNING

- **Do not pump flammable or explosive liquids such as oil, gasoline, kerosene, ethanol, etc. Do not use in the presence of flammable or explosive vapors. Using this pump with or near flammable liquids can cause explosion or fire, resulting in serious personal injury and/or property damage.**
- Always disconnect the pump from its power source before installing, inspecting, maintaining, or repairing.
- Do not stand in water when the pump is connected.
- Do not touch the pump housing while it is operating, as the pump may be HOT and can cause serious skin burns.
- Do not disassemble the motor housing. The motor has NO repairable internal parts, and disassembling may cause oil leakage or dangerous electrical wiring issues.

CAUTION

- This pump is designed for home sump applications. The pump is equipped with a 3-prong grounding-type power cord. The ball bearings on the motor shafts never need to be lubricated.
- This pump is made of high-strength, corrosion-resistant materials. It will provide trouble-free service for a long time when properly installed, maintained, and used. However, inadequate electrical power to the pump, dirt, or blockage by ice or debris may cause the pump to fail, eventually bringing about additional water damage. To minimize the potential for water damage due to pump failure, please carefully read the manual and follow the instructions regarding common pump problems and remedies or call 1-866-994-4148.
- This pump has not been tested or approved for use in swimming pools or in salt-water marine areas. **It is also not engineered to be run continuously as a “fountain” or “waterfall” pump.** Because this pump has an oil-filled motor, it should NOT be used in water containing fish. Pump only water with this pump.
- For safety, the pump motor has an automatic resetting thermal protector that automatically will turn off the pump if it becomes too hot. **Overuse of this feature will damage the pump and will void the warranty.**
- Once the thermal protector detects that the pump has cooled to a safe temperature, it will allow the pump to operate normally. If the pump is plugged in, it may restart unexpectedly.

Additional Safety Precautions

1. Know the pump applications, limitations, and potential hazards.
2. Make certain the electrical power source is adequate for the requirements of the pump.
3. ALWAYS disconnect the power to the pump before servicing.
4. Release all pressure (drain all water) within system before servicing any component.
5. Secure discharge line before starting pump. An unsecured discharge line will whip, possibly causing personal injury and/or property damage.
6. Secure the pump on a solid base to keep the pump vertical and above mud and sand during operation to maximize pumping efficiency and prevent clogging and premature pump failure.
7. Check that all pipe connections are tight to minimize leaks.
8. Connect the pump DIRECTLY to a grounded, GFCI outlet.
9. Extension cords may not deliver sufficient voltage to the pump motor. Extension cords present a life threatening safety hazard if the insulation becomes damaged or the connection ends fall into water.
10. Make certain the electrical circuit to the pump is protected by a 15 Amp or larger fuse or circuit breaker.
11. Periodically inspect the pump and system components to be sure the pump inlets are free of mud, sand, and debris. DISCONNECT THE PUMP FROM THE POWER SUPPLY BEFORE INSPECTING.
12. Wear safety glasses at all times when working with pumps.
13. Follow all electrical and safety codes, particularly the National Electrical Code (NEC) and in the workplace, the Occupational Safety and Health Act (OSHA).
14. This unit is designed only for use on 115 volts (single phase), 60 Hz, and is equipped with an approved 3-conductor cord and 3-prong grounded plug. DO NOT REMOVE THE GROUND PIN UNDER ANY CIRCUMSTANCES. The 3-prong plug must be directly inserted into a properly installed and grounded 3-prong, grounding-type receptacle. Do not use this pump with a 2-prong wall outlet. Replace the 2-prong outlet with a properly grounded 3-prong receptacle (a GFCI outlet) installed in accordance with the National Electrical Code and local codes and ordinances. All wiring should be performed by a qualified electrician.
15. Protect the electrical cord from sharp objects, hot surfaces, oil, and chemicals. Avoid kinking the cord. Do not use damaged or worn cords.

PERFORMANCE

| Model | HP | GPM of Water @ Total Feet of Head | | | | Maximum head |
|--------|-----|-----------------------------------|--------|--------|--------|--------------|
| | | 5 ft. | 10 ft. | 15 ft. | 20 ft. | |
| PPSP33 | 1/3 | 36 | 31 | 26 | 11 | 0 |

PREPARATION

⚠️ WARNING: Always use handle to lift pump. Never use power cord to lift pump. To avoid skin burns, unplug and allow time for the pump to cool after periods of extended use.

Estimated Assembly Time (New installation): 30 minutes (or longer if installing new sump pit).

Materials Required for Assembly (not included): Flexible connector, Check valve, PVC pipe, PVC elbow, Thread Tape, PVC Purple Primer, and PVC Cement

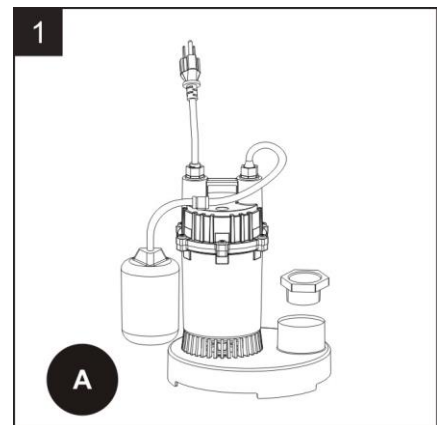
Tools Required for Assembly (not included): Wrench, Phillips screwdriver

The pump should rest on a level, solid base.

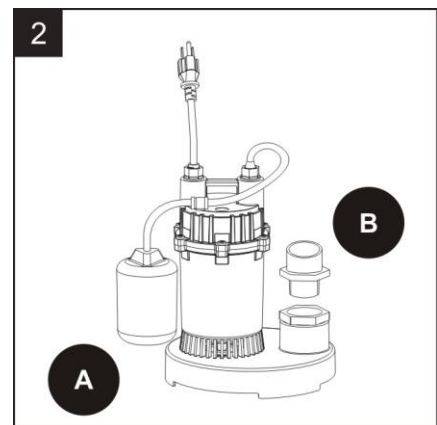
- Do not suspend the pump by the discharge hose or power cord.
- Keep the pump inlet screen clear.
- Do not install pump directly on sand or dirt.

INSTALLATION INSTRUCTIONS

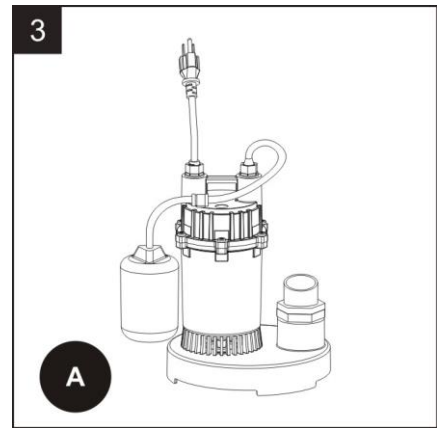
1. Normal discharge for this pump (A) is 1-1/2 in. However, if existing 1-1/4 in. discharge pipe is already in place, wrap the threads of the 1-1/4 in. adaptor (included) with thread tape and thread into pump discharge.



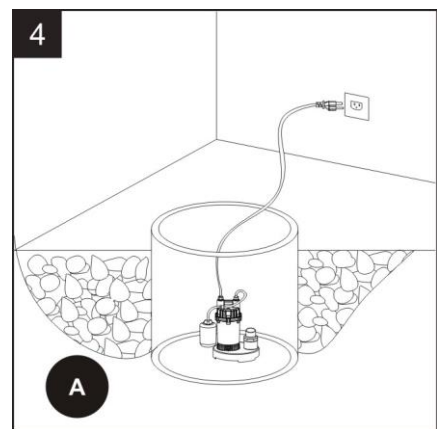
2. Install a sump pump check valve (sold separately) into the pump (A).



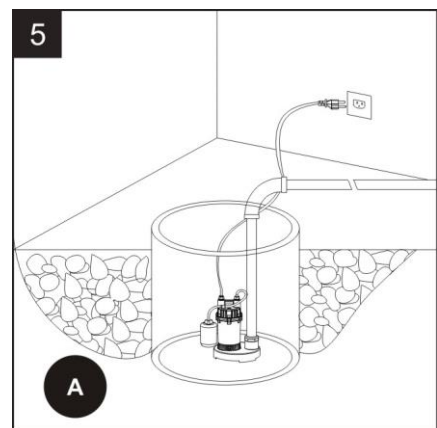
3. Connect a flexible connector (sold separately) to the check valve.



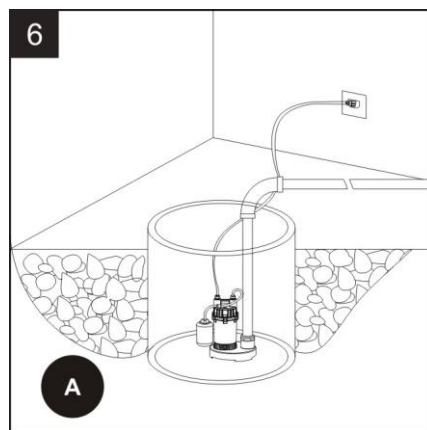
4. Place the pump (A) in the sump pit. Make sure that nothing interferes with the float switch operation.
NOTICE: Remove all small stones, gravel, mud, or other debris from the sump pit before installing the pump (A). The minimum diameter of the sump pit is 14 in. The minimum depth of the pit is 16 in. Construct the sump pit with tile, concrete, steel, or plastic. Check your local plumbing codes for approved materials and proper installation.



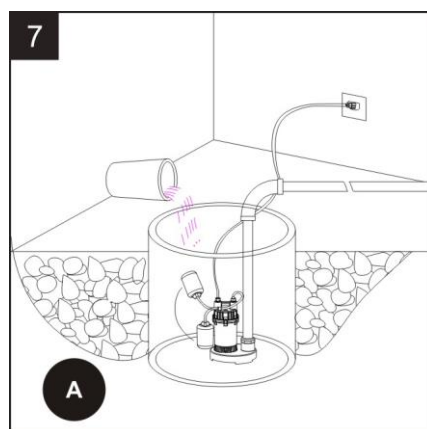
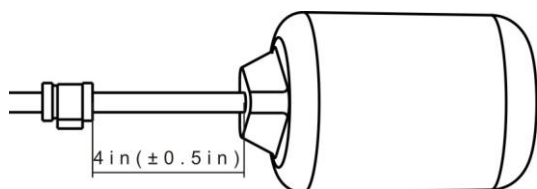
5. Connect the discharge pipe to the other end of the flexible connector and tighten the clamp with a screwdriver.
NOTICE: A rigid discharge pipe is recommended to prevent the pump (A) from moving. If a flexible discharge hose is used, the pump (A) must be secured in a manner that prevents it from moving. If it is allowed to move, the float switch could be restricted by the sump wall, preventing the pump (A) from turning on or off.
NOTICE: After the installation of the necessary plumbing, check valve and flexible connector, follow the glue manufacturer's instructions for safety precautions and curing time.



6. Plug the pump (A) into a GFCI outlet. The pump is now ready for use.



7. Check the pump (A) by filling the sump pit with water and observe the pump's (A) operation through one complete cycle and make sure the pump (A) cannot move in the sump pit and that the float switch moves freely up and down.



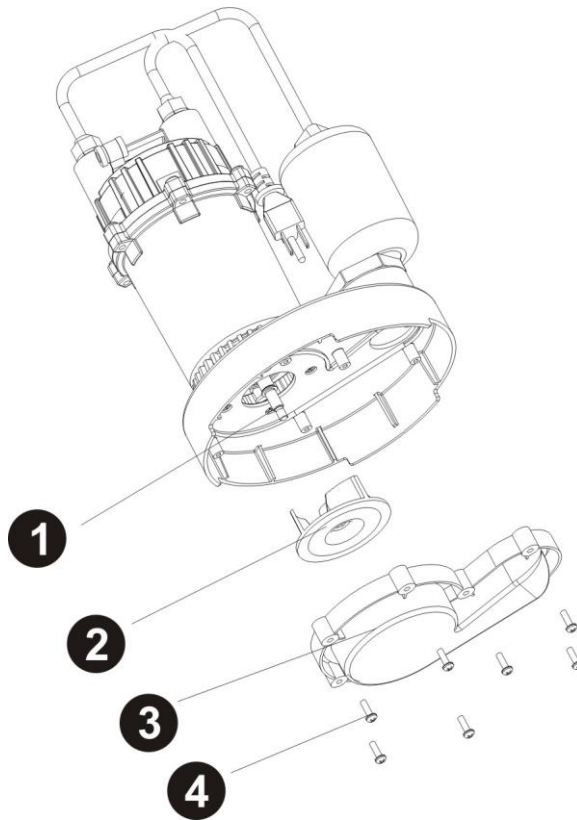
WARNING: The tether length (distance between the float switch and clamp, see picture above) is factory pre-set to 4 in. This is the recommended setting. If the water is rising too high before the pump turns on, slightly shorten the tether by loosening the clamp, then re-tighten. However, shortening the tether too much can lead to frequent starts and stops of the pump, which can shorten the life of the motor. If there is not enough room for the float to operate properly, consider purchasing a vertical float switch or increasing the size of the sump pit.

TROUBLESHOOTING

If the pump is not running properly, remove the screws (#4), remove the volute (#3), and inspect the impeller (#2). The impeller may need to be re-tightened to the shaft (#1) (see next page for diagram).

Do not disassemble the motor housing. This motor has NO repairable internal parts, and disassembling may cause an oil leak or dangerous electrical wiring issues.

If you have any questions regarding the product, please call customer service at 1-866-994-4148, 8 a.m. – 5 p.m. (EST), Monday – Friday.



| Item | Description | Qty |
|------|-------------|-----|
| 1 | Shaft | 1 |
| 2 | Impeller | 1 |
| 3 | Volute | 1 |
| 4 | Screws | 7 |

| Problem | Possible Cause | Corrective Action |
|--|---|---|
| Pump does not start or run | <ol style="list-style-type: none"> 1. Blown fuse 2. Tripped breaker 3. Plug disconnected 4. Corroded plug 5. Thermal overload 6. Motor failed 7. Float switch obstructed 8. Float switch failed | <ol style="list-style-type: none"> 1. Replace fuse 2. Reset breaker 3. Secure plug 4. Clean plug prongs 5. Unplug for 30 minutes, then plug in 6. Call 1-866-994-4148 7. Make sure the float switch has room to move and is not getting caught on anything. Make sure your pit is at least 14 in. wide. 8. Purchase a replacement float switch at the store |
| Pump operates but pumps little or no water | <ol style="list-style-type: none"> 1. Screen blocked 2. Impeller loose on shaft 3. Impeller broken | <ol style="list-style-type: none"> 1. Clean screen 2. Reassemble impeller (See Picture above) 3. Call 1-866-994-4148 |

WARRANTY

This product is warranted against manufacturing defects for a period of 12 months from the date of purchase. Any misuse, abuse, or modification automatically voids this warranty. This distributor will repair or replace the pump if, in its sole determination, the pump failed due to defects in materials or workmanship.

WARRANTY EXCLUSIONS

1. Neither the distributor, nor the store that sold this pump shall in any event be liable for any labor or similar expenses incurred in removing or repairing this pump.
2. The distributor specifically disclaims any implied warranties of merchantability and fitness for a particular purpose.
3. In no event shall the distributor be liable for consequential, incidental, or special damages resulting from or related in any manner to any distributor components or accessories.
4. The distributor disclaims all liability for improper installation or improper use of this product.

Some states do not allow the exclusion or limitation of incidental or consequential damages. The above limitations and exclusions may not apply to you. In addition to the rights given you by this warranty, you may also have other rights which vary from state to state.

For warranty claims, **DO NOT RETURN PUMP TO THE STORE!**

Call our Customer Service Department at: 1-866-994-4148, Monday – Friday, 8:00 a.m. – 5:00 p.m., EST.

Printed in China

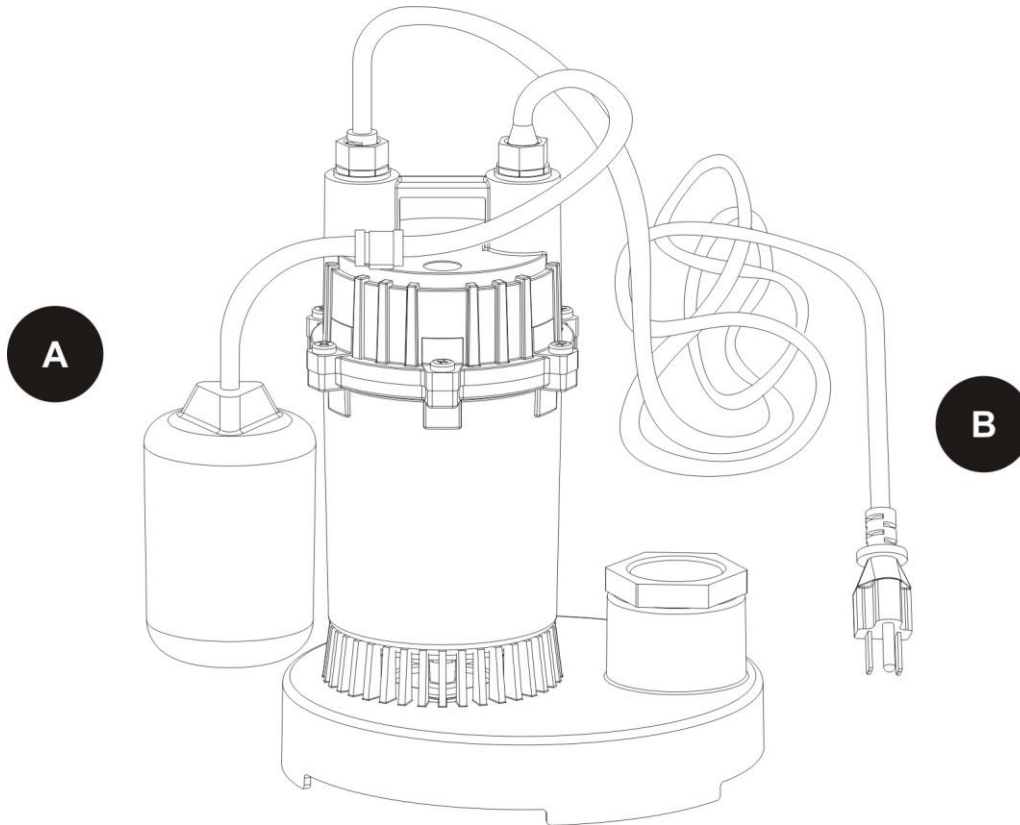


ARTÍCULO #0079356

BOMBA DE SUMIDERO SUMERGIBLE

Utilitech® es una marca registrada
de LF, LLC. Todos los derechos reservados.

MODELO: PPSP33



CONTENIDO DEL PAQUETE

| Pieza | Descripción | Cantidad |
|-------|-------------|----------|
| A | Bomba | 1 |
| B | Adaptador | 1 |

ADJUNTE SU RECIBO AQUÍ

Número de serie _____ Fecha de compra _____



¿Preguntas, problemas, piezas faltantes? Antes de volver a la tienda, llame a nuestro Departamento de Servicio al Cliente al 1-866-994-4148, de lunes a viernes de 8 a.m. a 5 p.m., hora estándar del Este.

ÍNDICE

| | |
|----------------------------------|----|
| Especificaciones | 11 |
| Fabricación | 11 |
| Información de seguridad | 12 |
| Rendimiento..... | 14 |
| Preparación..... | 14 |
| Información de instalación | 14 |
| Solución de problemas | 17 |
| Garantía..... | 18 |

ESPECIFICACIONES

| | |
|--|---|
| Suministro de electricidad necesario | 115V, 60 HZ |
| Rango de temperatura de agua | Max. 25°C (77°F) |
| Se requiere circuito de derivación individual..... | Minimo 15 amperios |
| Descarga..... | 3,81 cm FNPT or 3,175 cm FNPT (con adaptador) |
| Motor..... | Capacitor con división permanente, con protección contra sobrecarga térmica |
| Cable de alimentación | SJTW, 18AWG/3C, 3,05 m |

FABRICACIÓN

| | |
|--------------------------------|--------------------------|
| Carcasa del motor..... | Aluminio fundido |
| Voluta (Malla de entrada)..... | Thermoplástico |
| Impulsor | Reforzado thermoplástico |



INFORMACIÓN DE SEGURIDAD

Lea y comprenda completamente este manual antes de intentar ensamblar, usar o instalar el producto. Si tiene preguntas relacionadas con el producto, llame al Departamento de Servicio al Cliente al 1-866-994-4148, de lunes a viernes de 8 a.m. a 5 p.m., hora estándar del Este.

ADVERTENCIA

- No bombee líquidos inflamables o explosivos como petróleo, gasolina, queroseno, etanol, etc. No use en presencia de vapores inflamables o explosivos. El uso de la bomba con líquidos inflamables o cerca de ellos puede causar una explosión o incendio y provocar daños a la propiedad, lesiones personales graves o la muerte.
- Siempre desconecte la bomba de su fuente de alimentación antes de inspeccionarla, hacer el mantenimiento o reparación.
- No se pare en agua cuando la bomba esté conectada
- No toque la carcasa de la bomba mientras está en funcionamiento, ya que la bomba puede estar CALIENTE y puede causar quemaduras graves en la piel
- No desensamble la carcasa del motor. Esta bomba NO tiene piezas internas reemplazables y al desensamblarla puede causar una fuga de aceite o peligrosos problemas de cableado eléctrico.

PRECAUCIÓN

- Esta bomba está diseñada para aplicaciones de sumideros residenciales. La bomba está equipada con un cable de alimentación con puesta a tierra de 3 clavijas. Los rodamientos esféricos en los ejes del motor nunca necesitan lubricarse.
- Esta bomba está fabricada de materiales de alta resistencia y resistencia a la corrosión. Brindará servicio sin problemas durante muchos años si se instala, mantiene y usa adecuadamente. Sin embargo, una alimentación eléctrica inadecuada a la bomba o un bloqueo de hielo, suciedad o desechos puede causar una falla en la bomba y posiblemente cause daños adicionales por agua. Para minimizar el potencial de daños por agua debido a una falla en la bomba, lea la sección de este manual sobre problemas y soluciones comunes de la bomba, o llame 1-866-994-4148.
- Esta bomba no ha sido probada ni aprobada para su uso en piscinas o zonas marinas con agua salada. **Tampoco está diseñada para funcionar continuamente como una bomba para fuentes o cascadas.** Debido a que esta bomba tiene un motor lleno de aceite, NO se debe usar en agua que contenga peces. Solo bombee agua con esta bomba.
- Por seguridad, el motor de la bomba cuenta con un protector térmico con restablecimiento automático que apaga automáticamente la bomba si se calienta demasiado. **El uso excesivo de esta función dañará la bomba y anulará la garantía.**
- Cuando el protector térmico detecte que la bomba se ha enfriado a una temperatura segura permitirá que la bomba funcione normalmente. Si la bomba está enchufada, puede reiniciarse inesperadamente.

Precauciones de seguridad adicionales

1. Conozca las aplicaciones, las limitaciones y los posibles riesgos de la bomba.
2. Asegúrese de que la fuente de alimentación eléctrica sea adecuada para los requisitos de la bomba.
3. SIEMPRE desconecte la alimentación de la bomba.
4. Libere toda la presión dentro del sistema antes de realizar mantenimiento a cualquier componente (drene toda el agua).
5. Fije la manguera de descarga antes de arrancar la bomba. La torsión de la bomba puede causar que una manguera suelta se mueva con violencia y es posible que cause lesiones personales o daños a la propiedad.
6. Asegure la bomba en una base sólida y mantenga la bomba vertical y sobre lodo y arena durante el funcionamiento a fin de maximizar la eficiencia de la bomba y evitar obstrucciones y falla prematura de la bomba.
7. Verifique que todas las conexiones estén apretadas para minimizar las fugas.
8. Conecte la bomba **DIRECTAMENTE** a un tomacorriente con interruptor de circuito de falla de puesta a tierra (GFCI, por sus siglas en inglés).
9. Es posible que las extensiones eléctricas no proporcionen el voltaje suficiente al motor de la bomba. Las extensiones eléctricas presentan un riesgo para la seguridad y la vida si se daña el aislamiento o si los extremos de la conexión caen al agua.
10. Asegúrese de que el circuito eléctrico hacia la bomba esté protegido por un fusible de 10 amperios o más, o un interruptor de circuito.
11. Inspeccione periódicamente la bomba y los componentes del sistema para asegurarse de que las entradas de la bomba estén libres de arena, lodo y desechos. **DESCONECTE LA BOMBA DEL SUMINISTRO DE ELECTRICIDAD ANTES DE INSPECCIONARLA.**
12. Use gafas de seguridad en todo momento cuando trabaje con bombas.
13. Respete todos los códigos eléctricos y de seguridad, especialmente el Código nacional de electricidad (NEC, por sus siglas en inglés) y en el lugar de trabajo, la Administración de Salud y Seguridad Ocupacional (OSHA, por sus siglas en inglés).
14. Esta unidad está diseñada sólo para usarse en un servicio de 115 voltios (de fase única), 60 Hz, y está equipada con un cable conductor aprobado y un enchufe con puesta a tierra de 3 clavijas. **NO RETIRE LA CLAVIJA DE PUESTA A TIERRA BAJO NINGUNA CIRCUNSTANCIA.** Se debe insertar directamente el enchufe de 3 clavijas en un tomacorriente instalado adecuadamente, con la debida puesta a tierra y de 3 clavijas. No use la bomba con un tomacorriente de pared de 2 clavijas. Reemplace el tomacorriente de 2 clavijas con un tomacorriente de 3 clavijas con puesta a tierra (un tomacorriente GFCI) instalado en conformidad con el Código nacional de electricidad y los códigos y las ordenanzas locales. Todo el cableado debe realizarlo un electricista calificado.
15. Proteja el cable eléctrico de objetos afilados, superficies calientes, aceite y sustancias químicas. Evite torcer el cable. No utilice cables dañados o desgastados.

RENDIMIENTO

| Modelo | HP | LPM de agua a un total de metros de cabeza | | | | Elevación máx |
|--------|-----|--|-----|-------|-------|---------------|
| | | 1,5 m | 3 m | 4,6 m | 6,1 m | 7 m |
| PPSP33 | 1/3 | 136 | 117 | 98 | 42 | 0 |

PREPARACIÓN

⚠ ADVERTENCIA: Siempre use la manija para levantar la bomba. Nunca use el cable de alimentación para levantar la bomba. Para evitar quemaduras en la piel, desenchufe la bomba y espere que se enfríe luego de su uso prolongado.

Tiempo estimado de ensamblaje (instalación nueva): 30 minutos (o más si se instala un sumidero nuevo).

Materiales necesarios para el ensamblaje (no se incluyen): Conector flexible, Válvula de control, Tubo de PVC, Codo de PVC, Cinta para roscas, Pintura base morada para PVC y Cemento para PVC

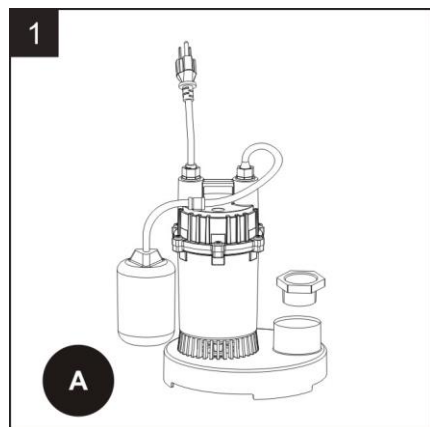
Herramientas necesarias (no se incluyen): Llave inglesa, Destornillador Phillips

La bomba debe estar apoyada sobre una base nivelada y sólida.

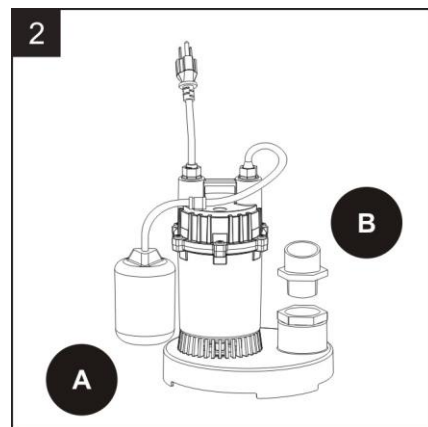
- No suspenda la bomba de la manguera de descarga o el cable de alimentación.
- Mantenga limpia la malla de entrada de la bomba.
- No instale la bomba directamente sobre arena o tierra.

INFORMACIÓN DE INSTALACIÓN

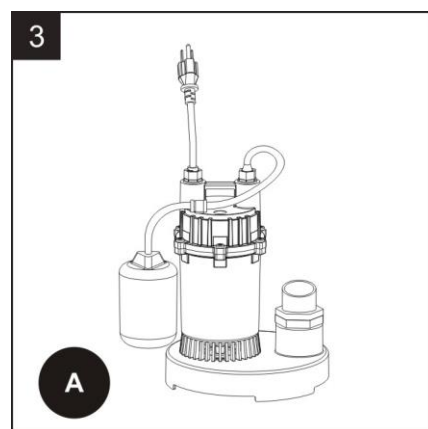
1. La descarga normal de esta bomba (A) es de 3,81 cm Sin embargo, si ya existiera colocado un tubo de descarga de 3,18 cm, envuelva las roscas del adaptador de 3,18 cm (incluido) con la cinta para roscas y enrosque dentro de la descarga de la bomba.



2. Instale una válvula de control de bomba de sumidero (se vende por separado) en la bomba (A).

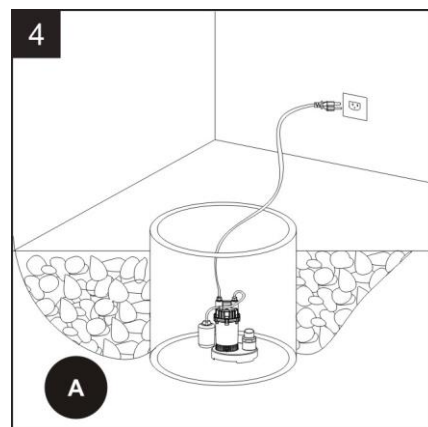


3. Conecte un conector flexible (se vende por separado) en la válvula de control.



4. Coloque la bomba (A) en la fosa del sumidero. Asegúrese de que nada interfiera con el funcionamiento del interruptor de flotador.

AVISO: Retire todas las piedras pequeñas, gravilla, lodo u otros desechos del fondo del sumidero antes de instalar la bomba (A). El diámetro mínimo de la fosa de sumidero es de 35,56 cm. La profundidad mínima de la fosa es de 40,64 cm. Construya el sumidero con baldosas, concreto, acero o plástico. Consulte los códigos de plomería locales sobre **los materiales aprobados y la correcta instalación.**



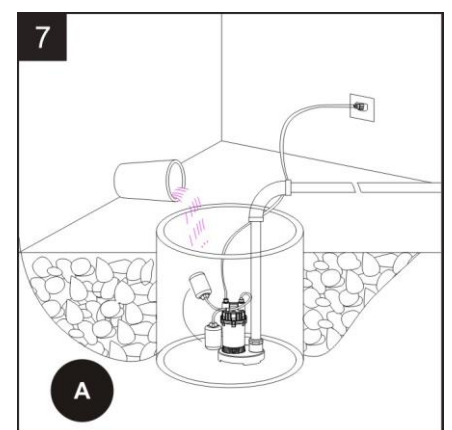
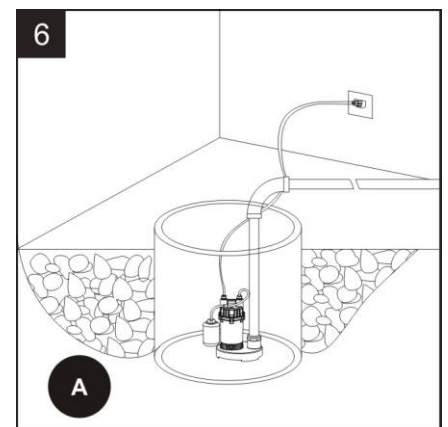
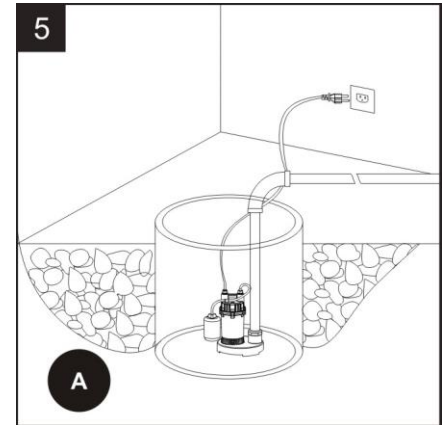
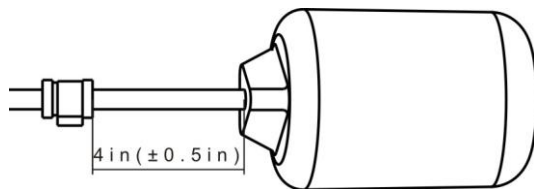
5. Conecte el tubo de descarga al otro extremo del conector flexible y apriete la abrazadera con un destornillador.

AVISO: Se recomienda un tubo de descarga rígido para evitar que la bomba (A) se mueva. Si se utiliza una manguera flexible para descarga, la bomba (A) debe estar asegurada de una manera que impida que se mueva. Si se permite que se mueva, el interruptor de flotador puede ser restringido por la pared del sumidero, lo que evita que la bomba (A) se encienda o se apague.

AVISO: Después de la instalación de la plomería necesaria, compruebe la válvula de control y el conector flexible, siga las instrucciones del fabricante de pegamento con respecto a las precauciones de seguridad y el tiempo de curado.

6. Enchufe la bomba (A) en un tomacorriente GFCI. La bomba está lista para su uso.

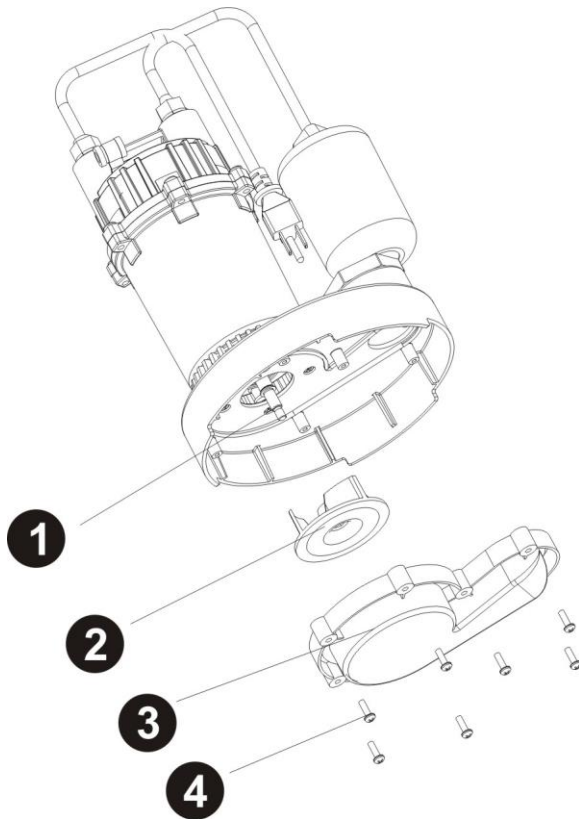
7. Compruebe la bomba (A) al llenar el sumidero con agua y observar el funcionamiento de la bomba (A) a través de un ciclo completo y asegúrese de que la bomba (A) no pueda moverse en el foso del sumidero y que el interruptor de flotador se mueva libremente hacia arriba y hacia abajo.



ADVERTENCIA: La longitud de la cuerda (la distancia entre el flotador y la abrazadera, ver foto arriba) es ajustado en fábrica a 10,16 cm POR FAVOR NO LO AJUSTE para evitar que se dañe la bomba.

SOLUCIÓN DE PROBLEMAS

Si la bomba no está funcionando correctamente, retire los tornillos (#4), retire la voluta (#3) e inspeccione el impulsor (#2). Puede ser necesario volver a apretar el impulsor al eje (#1) (ver el diagrama en la siguiente página). **No desensamble la carcasa del motor. Esta motor NO tiene piezas internas reemplazables y al desensamblarla puede causar una fuga de aceite o peligrosas condiciones de cableado eléctrico.** Si tiene preguntas relacionadas con el producto, llame al Departamento de Servicio al Cliente al 1-866-994-4148, de lunes a viernes de 8 a.m. a 5 p.m., hora estándar del Este, de lunes a viernes.



| Artículo | Descripción | Catidad |
|----------|-------------|---------|
| 1 | Mango | 1 |
| 2 | Impulsor | 1 |
| 3 | Voluta | 1 |
| 4 | Tornillos | 7 |

| Problema | Causa posible | Acción correctiva |
|----------------------------------|--|--|
| La bomba no enciende ni funciona | <ol style="list-style-type: none"> 1. El fusible está fundido 2. El interruptor está desconectado 3. El enchufe está desconectado 4. El enchufe está corroído 5. Hay una sobrecarga térmica 6. Hay una falla en el motor 7. El interruptor de flotador está obstruido 8. Hubo una falla en el interruptor de flotador. | <ol style="list-style-type: none"> 1. Cambie el fusible 2. Restablezca el interruptor 3. Fije el enchufe 4. Limpie las clavijas del enchufe 5. Desenchufe la bomba durante 30 minutos, luego enchúfela 6. Llame al 1-866-994-4148 7. Asegúrese de que el interruptor de flotador tenga espacio para moverse y de que no quede atrapado en algo. 8. Asegúrese de que la fosa tenga al menos 35,56 cm de ancho. Compre un interruptor de flotador de reemplazo en la tienda. |

| | | |
|---|--|--|
| La bomba funciona pero sale muy poca o nada de agua | <ol style="list-style-type: none"> 1. La malla está bloqueada 2. El impulsor tiene el eje suelto 3. El impulsor está roto | <ol style="list-style-type: none"> 1. Limpie la malla 2. Vuelva a ensamblar el impulsor (Consulte la ilustración anterior) 3. Llame al 1-866-994-4148 |
|---|--|--|

GARANTÍA

Este producto está garantizado contra defectos de fabricación por un período de 12 meses a partir de la fecha de compra. Cualquier tipo de uso inadecuado, abuso o modificación anulan automáticamente esta garantía. El distribuidor reparará o reemplazará la bomba si, a su completa discreción, determina que la bomba falló debido a defectos en el material o en la mano de obra.

EXCLUSIONES DE LA GARANTÍA

1. Ni el distribuidor ni la tienda en que adquirió esta bomba serán responsables por los gastos de mano de obra u otros similares en los que se incurran durante el retiro o la reparación de la bomba.
2. El distribuidor rechaza específicamente toda garantía implícita de comerciabilidad e idoneidad para un fin en particular.
3. Bajo ninguna circunstancia el distribuidor se responsabilizará de los daños resultantes, incidentales o especiales que deriven de los componentes o accesorios del distribuidor.
4. El distribuidor renuncia a toda responsabilidad relacionada con la instalación inapropiada o uso inadecuado de este producto.

Algunos estados no permiten la exclusión o limitación de daños accidentales o resultantes, por lo que es posible que las exclusiones y las limitaciones anteriores no se apliquen en su caso. Además de los derechos que le otorga esta garantía, podría tener también otros derechos que pueden variar según el estado.

Para reclamos de garantía, **NO DEVUELVA LA BOMBA A LA TIENDA.**

Llame a nuestro Departamento de Servicio al Cliente al: 1-866-994-4148, de lunes a viernes de 8:00 a.m. a 5:00 p.m., hora estándar del Este.

Impreso en China