

# Drop-In Kitchen Sink Installation Instructions

Model	INSIDE BOWL DIMENSIONS			
	A	B	C	D
KSSB-2522	21 1/8" (537mm)	17 5/8" (447mm)	15 5/8" (397mm)	—
KSSB-3322	29 3/4" (756mm)	19" (483mm)	16 1/2" (419mm)	—
KSDB-3322	14 7/16" (367mm)	18 7/8" (479mm)	13 3/4" (349mm)	15 1/4" (387mm)
KSLS-3322	19 3/8" (492mm)	18 7/8" (479mm)	8 7/8" (225mm)	15 5/8" (413mm)
KSLB-3322	14 3/8" (365mm)	18 7/8" (479mm)	—	—
KSDB-3120	15" (381mm)	17" (432mm)	13 3/4" (349mm)	11" (279mm)
KSDB-2518	12" (304mm)	14 3/4" (374mm)	12 3/8" (314mm)	8 3/4" (222mm)
KSEU-3020	13" (330mm)	16 1/2" (419mm)	12 1/4" (311mm)	7" (178mm)
KSTB-4422	14 3/8" (365mm)	18 1/2" (470mm)	16" (413mm)	9" (229mm)
KSRB-18	15 3/4" (400mm)	1 3/8" (35mm)	—	—

### Gloss Finish Models

KSGF-2522	21 3/8" (543mm)	16" (406mm)	—	—
KSGF-3322	14" (356mm)	18 1/2" (470mm)	16" (406mm)	14 1/4" (362mm)

Model	SINK CUTOUT MEASUREMENTS	
	Width	Depth
KSSB-2522	24 3/8" (619mm)	21 3/8" (543mm)
KSSB-3322	32 3/8" (822mm)	21 3/8" (543mm)
KSDB-3322	32 3/8" (822mm)	21 3/8" (543mm)
KSLS-3322	32 3/8" (822mm)	21 3/8" (543mm)
KSLB-3322	32 3/8" (822mm)	21 3/8" (543mm)
KSDB-3120	30 3/8" (771mm)	19 3/8" (492mm)
KSDB-2518	24 3/8" (619mm)	17 3/8" (441mm)
KSEU-3020	38 3/4" (984mm)	19 3/8" (492mm)
KSTB-4422	43 3/8" (1102mm)	21 3/8" (543mm)
KSRB-18	17 7/8" (454mm) dia.	

### Gloss Finish Models

KSGF-2522	24 3/8" (619mm)	21 3/8" (543mm)
KSGF-3322	32 3/8" (822mm)	21 3/8" (543mm)

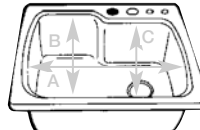
Measure the cutout line or the pre-cut opening to be sure it conforms to the sizes listed.

### Tools Required:

- Ruler/Tape Measure • Drill • Caulk • Masking Tape • Safety Glasses
- Screwdriver • Saber Saw (if counter top cutout is required)
- 1 1/4" Hole Saw

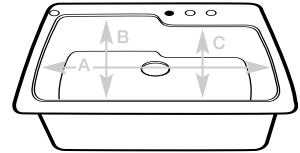
Please inspect your Swanstone sink prior to installation.

**KSSB-2522** 25" x 22"  
(635mm x 559mm)



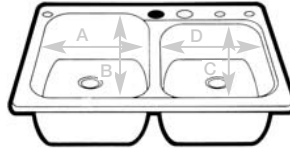
DEPTH 9" (229mm)

**KSSB-3322** 33" x 22"  
(838mm x 559mm)



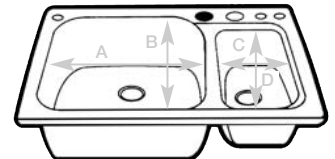
DEPTH 10" (254mm)

**KSDB-3322** 33" x 22"  
(838mm x 559mm)



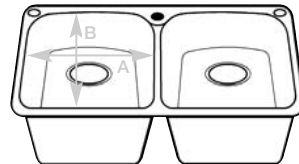
DEPTH 9" (229mm) DEPTH 9" (229mm)

**KSLS-3322** 33" x 22"  
(838mm x 559mm)



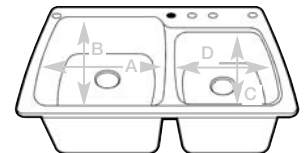
DEPTH 9" (229mm) DEPTH 7" (178mm)

**KSLB-3322** 33" x 22"  
(838mm x 559mm)



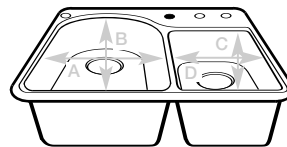
DEPTH 10" (254mm) DEPTH 10" (254mm)

**KSDB-3120** 31" x 20"  
(787mm x 508mm)



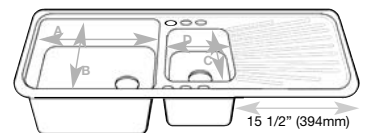
DEPTH 8 1/2" (216mm) DEPTH 8 1/2" (216mm)

**KSDB-2518** 25" x 18"  
(635mm x 475mm)



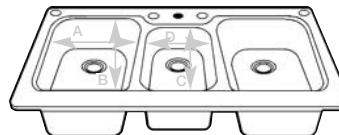
DEPTH 7 1/2" (191mm) DEPTH 7 1/2" (191mm)

**KSEU-3020** 39 3/8" x 20"  
(1000mm x 508mm)



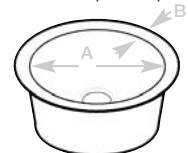
DEPTH 8" (203mm) DEPTH 7" (178mm)

**KSTB-4422** 44" x 22"  
(1118mm x 559mm)



DEPTH 9" (229mm) DEPTH 7" (178mm) DEPTH 9" (229mm)

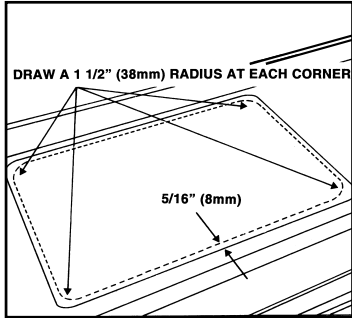
**KSRB-18** 18 1/2" DIA.  
(470mm)



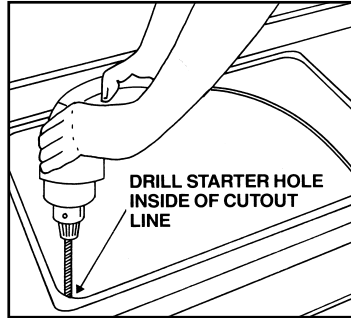
DEPTH 8 1/2" (216mm)

# Drop-In Kitchen Sink Installation Instructions

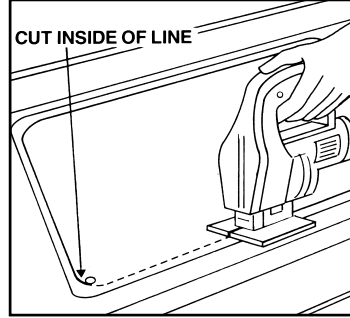
Please inspect your Swanstone sink prior to installation.



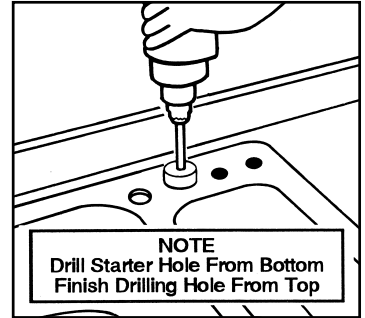
1. Invert sink and position onto the countertop. Locate sink front to rear and right to left so the bowl will not interfere with the cabinets below. Trace a pencil line around the outside edge of the sink and remove the sink from the countertop. Measure in 5/16" (8mm) from the initial sink outline and draw a second line inside the first. Draw a 1-1/2" radius at each corner. The second interior line will be your cut out line.



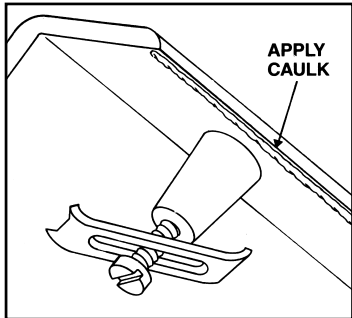
2. Drill starter hole inside of cutout line.



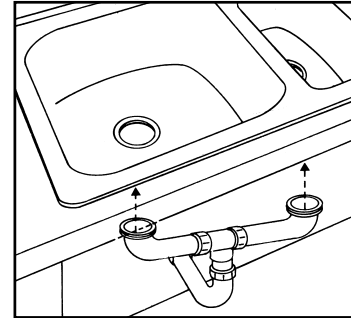
3. Using a saber saw, cut inside of cutout line. Trial fit sink to check proper fit.



4. Identify fixture hole locations. Drill a starter hole from reverse side. Working from the top side as illustrated, position a hole saw on the starter hole and drill to complete the fixture hole. Attach faucet, drain, and accessories according to manufacturer's instructions.



5. For final fit, apply a bead of caulk (not included) to the underside of the sink flange and position sink into countertop opening. First, tighten screws in front, then tighten rear screws.



6. Connect all faucet supply lines, disposal (if available), and drain trap fittings per manufacturer's instructions.

**CHECK FOR LEAKS:**

- Supply user tubes to faucet
- Supply riser tubes to shut off valves or lower connections
- Fill sink with water and check for leaks around drain
- Release water from sink and check for possible leaks
- Tighten as needed

**Care and Cleaning Instructions**

**NOTE: This procedure does not apply to the Gloss Finish models.**

Clean your Swanstone kitchen sink with powdered abrasive cleaners. Use of a Scotch Brite pad is recommended to remove stubborn stains. Occasional use of a mild bleach and water solution ensures that the original luster is maintained.

Please inspect your Swanstone sink prior to installation.

### Gloss Finish Models

<p><b>Model KSGF-2522</b> 25" x 22" (635mm x 559mm)</p> <p>DEPTH 8" (203mm)</p>	<p><b>Model KSGF-3322</b> 33" x 22" (838mm x 559mm)</p> <p>DEPTH 8" (203mm)</p>
---	---

**Care and Cleaning Instructions for  
Gloss Finish Models KSGF-2522 and KSGF-3322**

**WARNING: DO NOT USE ABRASIVES AS IT WILL DULL THE GLOSSY FINISH!**  
This product is made of Swanstone with a gloss finish. While it is stain resistant, it requires regular and reasonable care. Wash regularly with warm water and a non abrasive cleaner such as Soft Scrub Liquid Gel with bleach (without abrasives), Clorox Clean-up with bleach, Top Job or Mr. Clean. Remove hard water stains or mineral build up with scale removers such as Lime-Away.

**DO NOT USE HARSH CLEANSERS OR ABRASIVES** such as scouring powders, abrasive cleansers or scouring pads. Abrasives will dull the finish. Protect the finish with fiberglass wax or automotive paste wax.