

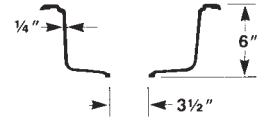
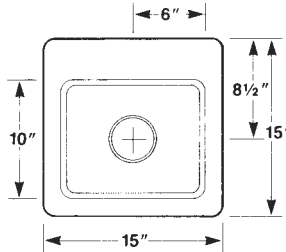
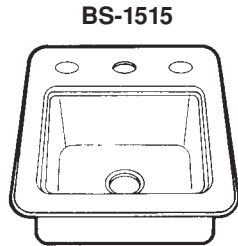
SWANSTONE
Your Strongest Choice.



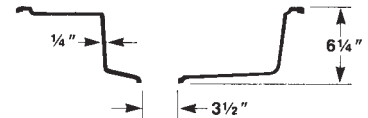
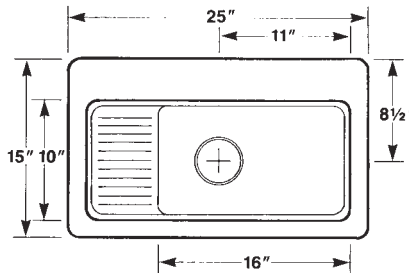
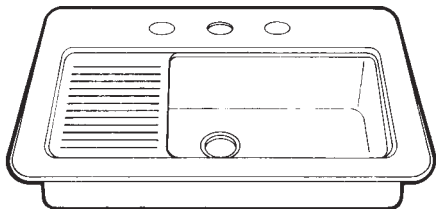
BAR SINKS

TOOLS REQUIRED

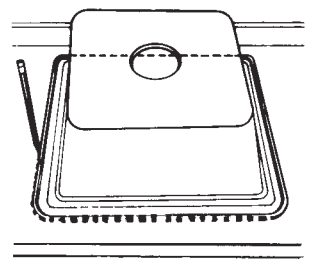
- Ruler
- Drill
- Caulk
- Saber Saw
(if counter top cutout is required)



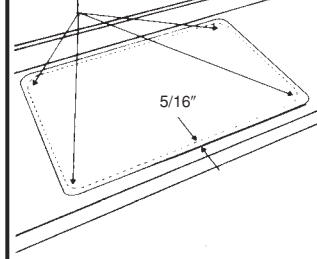
BS-2515



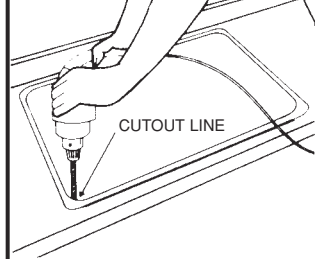
TRACE COMPLETELY AROUND EDGE OF SINK



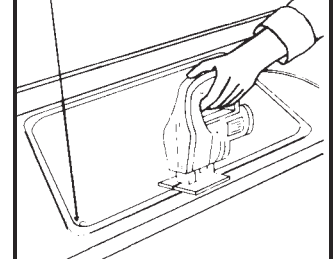
DRAW A 1-1/2" RADIUS AT EACH CORNER



DRILL STARTER HOLE INSIDE OF CUTOUT LINE



CUT INSIDE OF LINE



1. If it is necessary to cut out the counter top, invert sink and position onto the counter top. Locate sink front to rear and so that the bowl will not interfere with the cabinets below. Trace a pencil line around the outside edge of the sink and remove the sink from the counter top.

2. Measure in 5/16" from the initial sink outline and draw a second line inside the first. Draw a 1-1/2" radius at each corner. This second interior line will be your cutout line.

Check Cutout Line Measurements

Model	Width	Depth
BS-1515	14-3/8"	14-3/8"
BS-2515	24-3/8"	14-3/8"

Measure the cutout or the pre-cut opening to be sure it conforms to the sizes listed.

3. Drill starter hole inside of cutout line.

4. Using a saber saw, cut inside of cutout line. Trial fit sink to check proper fit.

OWNER'S MANUAL
MODEL NOS.
BS-1515
BS-2515

Installation
Care and
Cleaning

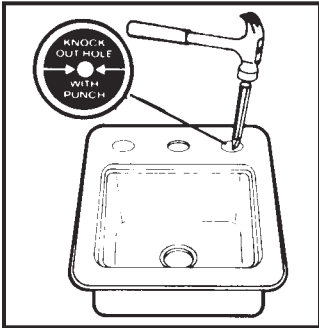
CAUTION:
Read ALL instructions carefully
BEFORE starting your installation.
Save this manual for future reference.



SWANSTONE
Your Strongest Choice.



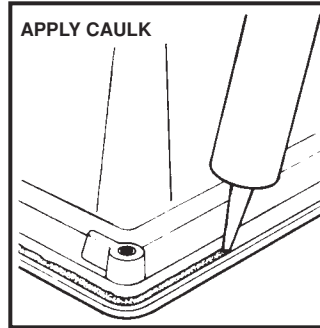
BAR SINKS



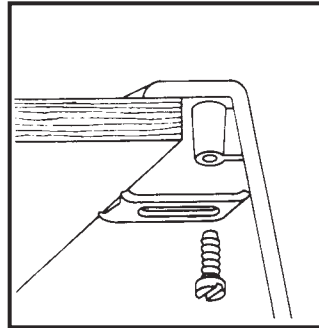
5. Fixture hole locations are identified with a gray label indicating the most desired placement. Position a chisel on the desired dot and strike with a hammer to break out the hole. Clean out fixture hole with a knife.

If hole is not used, peel off the label.

Attach faucet, drain, and accessories according to manufacturer's instructions.



6. Apply a bead of caulk (not included) to the underside of the sink flange and position sink into counter top opening.



7. Attach four (4) sink clips to underside of sink. Sink clips provided will accommodate a counter top up to 1-1/2" thick. Tighten screws in front then rear first. Work from side to side. Do not overtighten. Clean up excess caulk.

8. Connect all faucet supply lines, disposal (if available), and drain trap fittings per manufacturer instructions.

CHECK FOR LEAKS

- Supply user tubes to faucet
- Supply riser tubes to shut off valves or lower connections
- Fill sink with water and check for leaks around drain
- Release water from sink and check for possible leaks
- Tighten as needed

CLEANING

Clean your Swanstone sink as you would any other fine bath fixture, using normal household detergents and cleansers. Just wiping the wall surfaces quickly removes watermarks and residues. Occasional scrubbing with household abrasive cleansers ensures that the original luster is maintained.

REPAIRING

SOLID COLORS

Use 400 grit sandpaper to remove scratches and gouges in the surface. A "scotchbright pad" can be used to blend in the area.

AGGREGATE & GALAXY COLORS

Use 400 grit sandpaper to remove scratches and gouges in the surface. To blend in the area use a fine grade, white, automotive polishing compound or paste wax.



SWAN

The Swan Corporation
One City Centre
St. Louis, MO 63101
(314) 231-8148



Patent Pending

Form #256-11-91-10M