

# SPEAKMAN COMPANY

## S-2272-E2 Installation, Maintenance & Operation Instructions

### COSMOPOLITAN® SHOWERHEAD

#### DESCRIPTION

Polished chrome plated COSMOPOLITAN showerhead. Chrome plated brass ball joint. Flow control device reduces flow to 2.0 GPM/ 7.6LPM maximum, to meet existing ANSI A112.18.1 Standard. ½" NPT inlet.

#### SPECIFICATIONS

SUPPLY INLET: ½" NPT  
FLOW RATE: 2.0 GPM/ 7.6LPM MAXIMUM  
SHIPPING WEIGHT: LBS.

#### INSTALLATION

Apply pipe thread tape in a clockwise direction to threads of shower arm. Pipe joint compound may be used instead of tape. Turning in a clockwise direction, thread the shower head on to the shower arm. Tighten with a pipe wrench or a pair of pliers. Turn the water supply on and check for leaks.

#### OPERATION

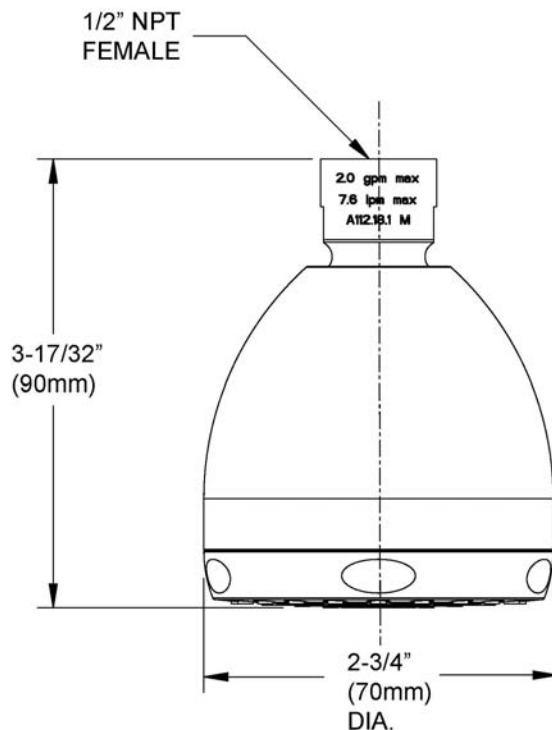
Spray pattern of showerhead is a fixed spray, and there is no adjustment.

#### MAINTENANCE

The gleaming finish of your SPEAKMAN COSMOPOLITAN® showerhead can be cleaned by using mild soap and warm water. Dry immediately with a soft, clean cloth for best results. The flow control device limits water flow to 2.0 gallons per minute. The small orifice may become clogged with scale and other minerals found in potable water. To clean the flow control, simply remove the shower head from the bent arm, unscrew the flow control and clean as necessary.

#### ROUGH-IN MEASUREMENTS

Product improvements may cause specification and dimensional changes without notice.



**SPEAKMAN®**

PO Box 191 Wilmington, DE 19899 Phone: 800-537-2107 Fax: 800-977-2747  
Visit us on the web at [www.speakmancompany.com](http://www.speakmancompany.com)

11/10  
REV 1  
92-3172