

SPEAKMAN®

S-2760 & S-2761 Installation, Operation & Maintenance Instructions

DESCRIPTION

Speakman 10" Rain Showerheads with 12 plunger nozzles that provide 96 spray streams for a full body coverage pattern. Water conserving pressure compensating AUTOFLO® device reduces flow to 2.5 GPM/9.46LPM maximum, to meet existing ANSI A112.18.1 Standard. ½" NPT inlet.

SPECIFICATIONS

SUPPLY INLET: ½" NPT
FLOW RATE: 2.5 GPM/9.46LPM MAX
SHIPPING WEIGHT: 3.3 LBS.
STATIC PRESSURE: 20-80 PSI

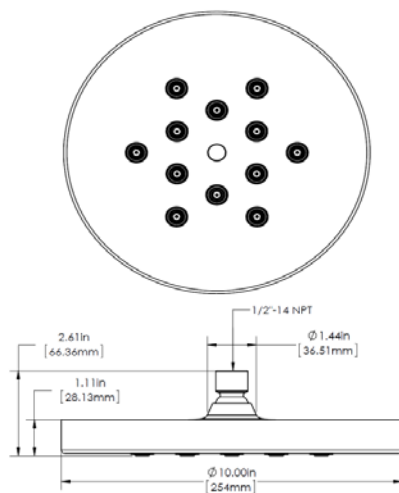
INSTALLATION

Remove the old shower head from the shower arm. Clean off any debris on the threads of the shower arm. Wrap Teflon tape around the shower arm threads in a clockwise direction. Turning in a clockwise direction, screw the new Speakman Rain Showerhead onto the shower arm. Tighten with a wrench. Turn the water supply on and check for leaks.

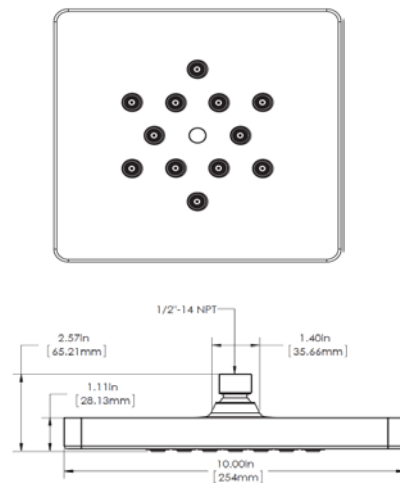
MAINTENANCE

The gleaming finish of your SPEAKMAN Rain Showerhead can be cleaned by using mild soap and warm water. Dry immediately with a soft, clean cloth for best results. The flow control device limits water flow to 2.5 gallons per minute. The small orifices may become clogged with scale and other minerals found in potable water. To clean the flow regulator, simply remove the shower head from the bent arm, dislodge the flow regulator which is located in the inlet and clean as necessary.

ROUGH-IN MEASUREMENTS



S-2760



S-2761

SPEAKMAN®

400 Anchor Mill Rd. New Castle, DE 19720 Phone: 800-537-2107
12/12 Visit us on the web at www.speakmancompany.com

Fax: 800-977-2747
92-S-2760-R2