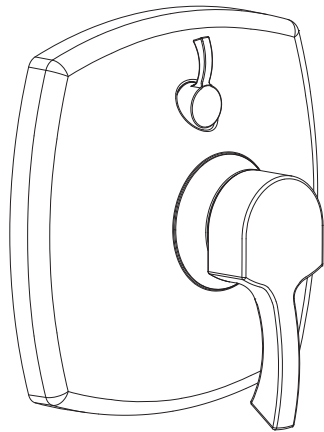


## Instructions for Models:

### CPT-1 1400-P



### Need Help?

For additional assistance or service call:

**SPEAKMAN** Company  
400 Anchor Mill Road  
New Castle, DE 19720

PHONE: 800-537-2107  
EMAIL: [customerservice@speakmancompany.com](mailto:customerservice@speakmancompany.com)  
WEB: [www.speakmancompany.com](http://www.speakmancompany.com)

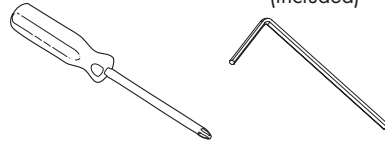
92-CPT-1 1400-P-R 1

## What You Need To Know:

### Tools:

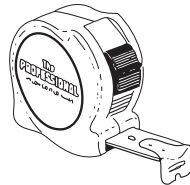
#### Required:

\*Phillips Screwdriver \*2mm Allen Wrench (included)



### Helpful:

\*Tape Measure



### Important Notes:

Be sure to read instructions thoroughly before beginning installation. Do not overtighten any connections or damage may occur.

Be sure to have properly adjusted the Temperature Limiting Stop (TLS) as per the Valve Installation Instructions before installing Valve Trim.

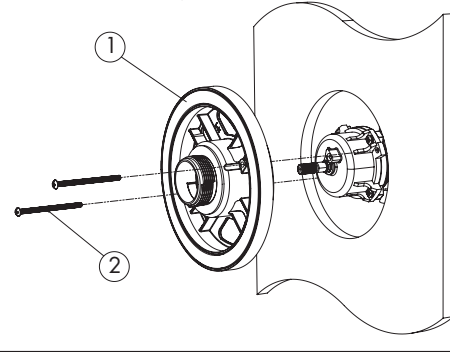
### Safety Tips:

Cover your drain to prevent loss of parts.

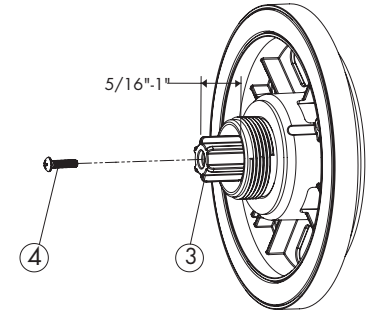
### Maintenance:

Your new Valve Trim is designed for years of trouble-free performance. Keep it looking new by cleaning it periodically with a soft cloth. Avoid abrasive cleaners, steel wool, and harsh chemicals as these will dull the finish and void your warranty.

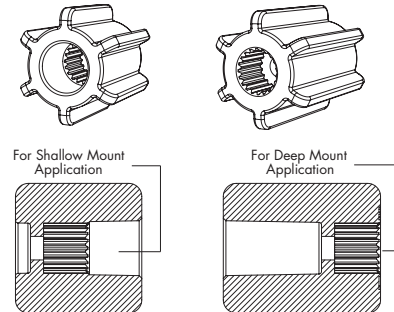
- ① Clean wall surface. Place Mounting Base ① on to valve, align mounting holes, and secure with screws ②.



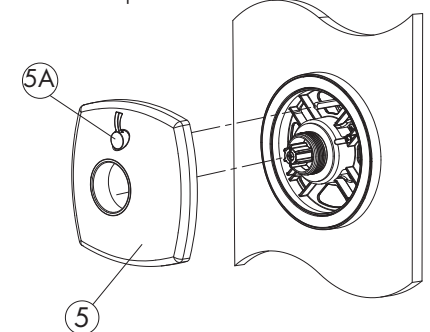
- ④ **\*IMPORTANT\***  
When installed correctly the Connector ③ should protrude from the Mounting Base inbetween 5/16" and 1". Secure with Screw ④.



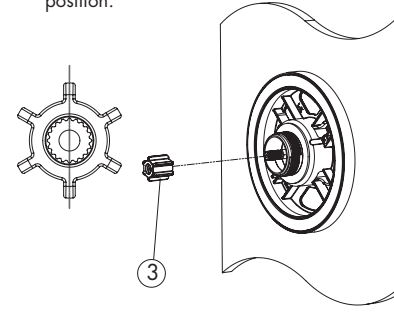
- ② There are 2 Connectors ③ included to allow for both Shallow and Deep mount applications. Please select Connector appropriate for your installation.



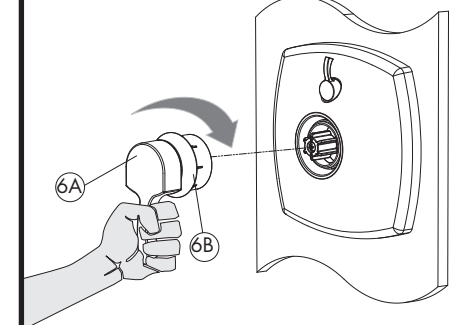
- ⑤ Place Escutcheon ⑤ on Mounting Base. Take care to align Diverter Handle assembly ⑤A with Diverter Spindle.

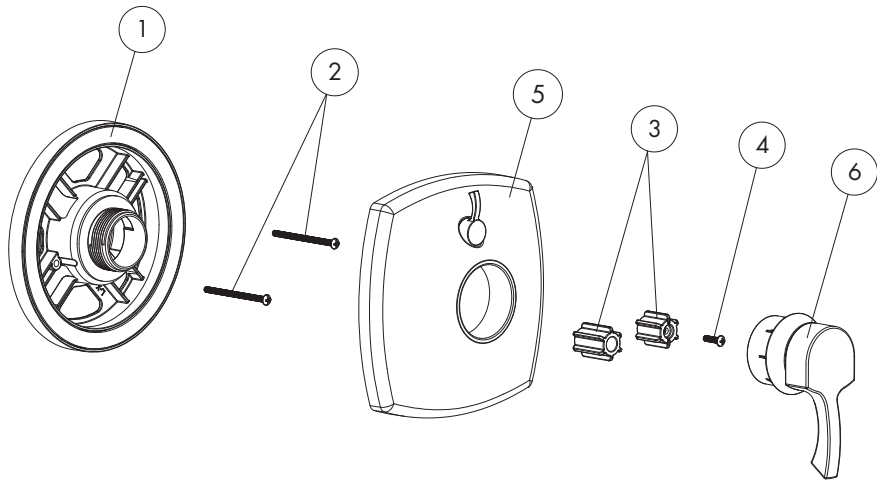


- ③ Confirm that the valve is in the "OFF" position. Place appropriate Connector ③ on spindle of valve making sure to orient the Connector so that one set of splines are in a perfectly vertical position.



- ⑥ Align Handle Assembly ⑥ with Connector and Escutcheon. Keep Handle ⑥A in a stationary vertical position as you thread Handle Hub ⑥B on to Mounting Base. Tighten until snug.





RPG05-0874    ② ③ ④  
 RPG10-0110-(PC,BN) ⑤  
 RPG04-0421-(PC,BN) ⑥

