



Portfolio® is a registered trademark of LF, LLC. All Rights Reserved.

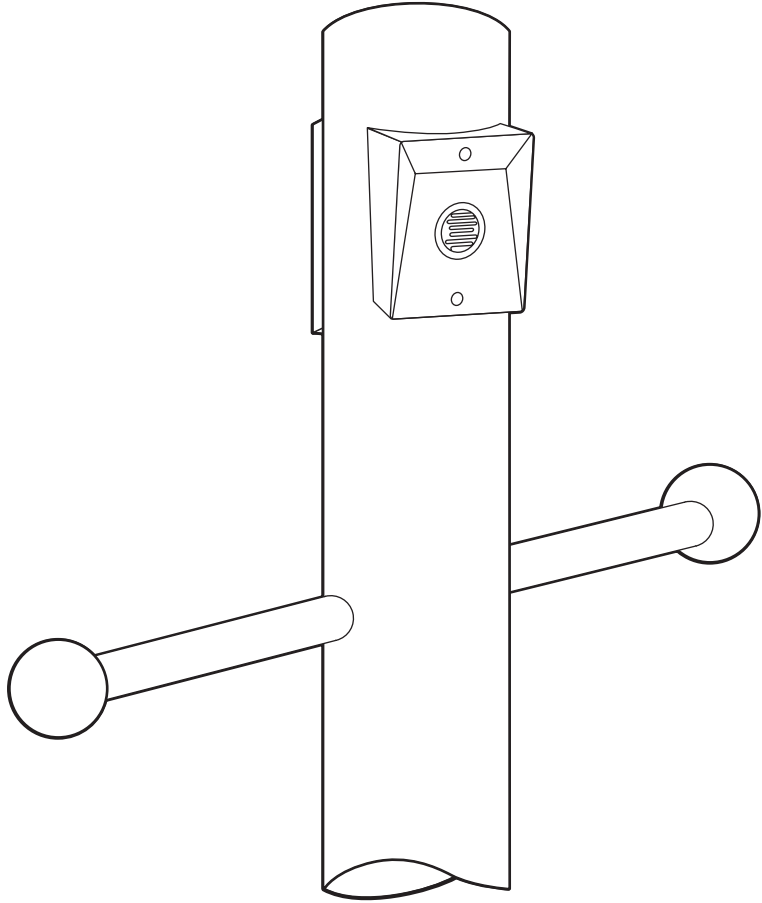
ITEM #0013807

LANTERN POST WITH CROSSBAR

MODEL #40193

Français p. 10

Español p. 19



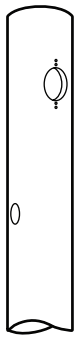
ATTACH YOUR RECEIPT HERE

Serial Number _____ Purchase Date _____

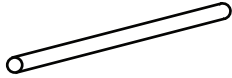


Questions, problems, missing parts? Before returning to your retailer, call our customer service department at 1-800-643-0067, 8 a.m. - 6 p.m., EST, Monday - Thursday, 8 a.m. - 5 p.m., EST, Friday.

PACKAGE CONTENTS



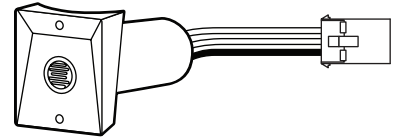
A



B

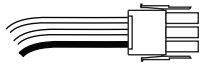


C

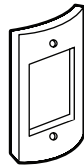


D

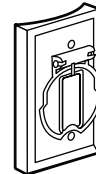
E



F



G



H

PART	DESCRIPTION	QUANTITY
A	Lantern Post	1
B	Crossbar	1
C	Decorative Ball (preassembled to Crossbar (B))	2
D	Photo Eye	1
E	Female Connector (preassembled to Photo Eye [D])	1
F	Male Connector (preassembled to Female Connector [E])	1
G	Soft Outlet Gasket (preassembled to Convenience Outlet [H])	1
H	Convenience Outlet	1

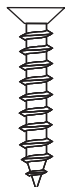
HARDWARE CONTENTS (shown actual size)

AA



Mounting Screw
Qty. 2

BB



Self-Tapping Screw
Qty. 2

CC



Wire Connector
Qty. 4
+ 2 extra

SAFETY INFORMATION

Please read and understand this entire manual before attempting to assemble, operate or install the product.

- Make sure all electrical connections comply with local codes, ordinances, the National Electrical Code and ANSI/NFPA 70-199. Hire a qualified electrician or consult a do-it-yourself wiring handbook if you are unfamiliar with installing electrical wiring.
- This product is for outdoor use only.
- This product is to be connected to a 120-volt, 60Hz power source. Connecting to a different power source or wiring incorrectly may create a hazard, damage the unit, and will void the warranty.
- This product is suitable for wet locations.
- Do not attempt to open the electrical component housings. They do not contain any serviceable parts. Install these parts as is.
- Selecting a lantern post or lighting standard for performance and safety requires a full understanding of various factors or conditions. Professional engineering assistance when selecting a post is highly recommended. Many factors can affect the performance or safety of your post, including (but not limited to):
 - Total weight of the fixture and all the accessories the post must bear.
 - The peak wind load and the effective projected area (EPA) of the mounted apparatus.
 - Environmental characteristics such as moisture, salinity, corrosiveness and other soil and air conditions and their possible effect on the type of post selected.
 - The crossbar is not intended to carry load.



WARNING: Ensure the power is turned off at the main power panel or circuit breaker box prior to installing or replacing components.

CAUTION: The convenience outlet is not intended for ground installation. Do not install the convenience outlet on a post or pole that would result in a vertical rise of 25 feet or higher.

CAUTION: This equipment has been tested and found to comply with the limits for a Class B digital device, pursuant to Part 15 of the FCC Rules. Operation is subject to the following two conditions: (1) this device may not cause interference, and (2) this device must accept any interference, including interference that may cause undesired operation of the device.

PREPARATION

Before you begin the assembly of this product, ensure that all parts are present. Compare all parts with the package contents list and hardware contents list above. If any part is missing or damaged, do not attempt to assemble the product.

Estimated Assembly Time: 60 minutes

Tools Required for Assembly (not included): Phillips screwdriver, Shovel, Gravel, Supply wire and Concrete

Helpful Tools (not included): AC Tester Light, Tape Measure, Wiring Handbook, Masking tape, Pencil, Step ladder and Wire cutters

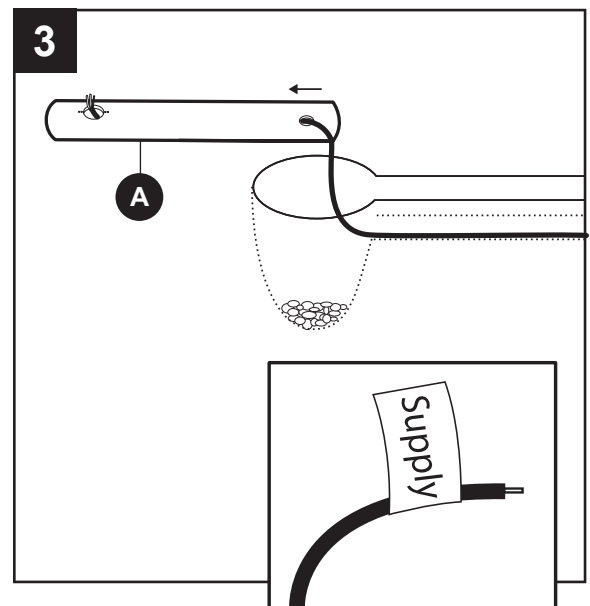
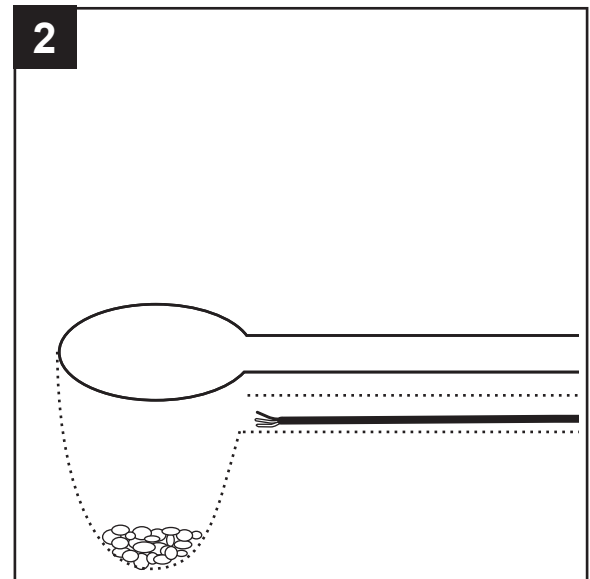
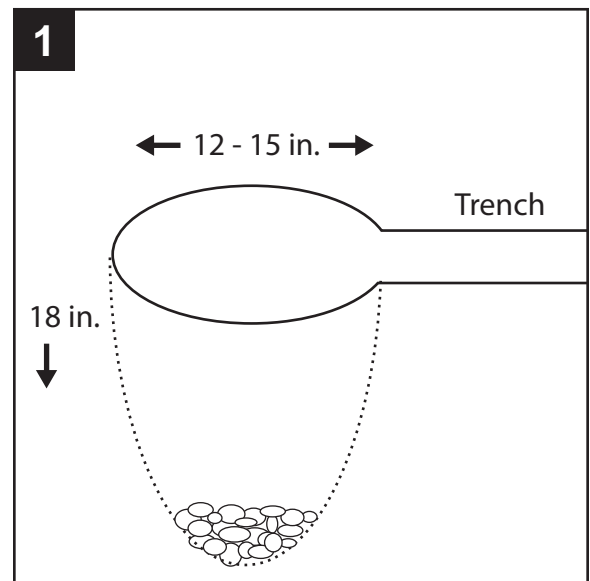
ASSEMBLY INSTRUCTIONS

Important: Before you begin this procedure and dig the necessary holes required to install the item, consult your local electrical codes.

1. Dig a hole 12 in. to 15 in. in diameter and 18 in. in depth, allowing extra depth for added gravel (not included). Save some of the soil for later. Shovel several inches of gravel in the bottom of the hole for drainage purposes. Then dig a trench to the required depth from the post hole to the power source.

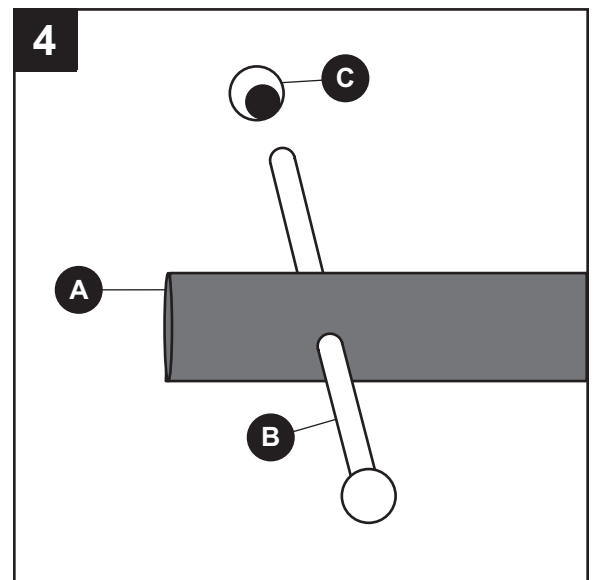
2. Run the electrical cable (not included) through the trench from the power supply to the hole created for the lantern post (A).

3. Place the lantern post (A) on the ground near the hole. Feed the electrical cable through the 1-1/8 in. hole near the bottom of the lantern post (A) and out through one of the 1-3/8 in. holes near the top, allowing sufficient lead for splicing. To simplify the wiring process, use masking tape and a pencil (neither included) to label each wire with the word "supply".

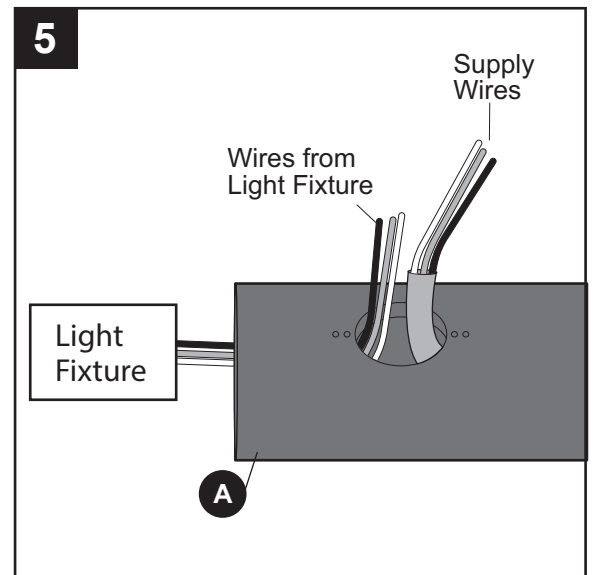


ASSEMBLY INSTRUCTIONS

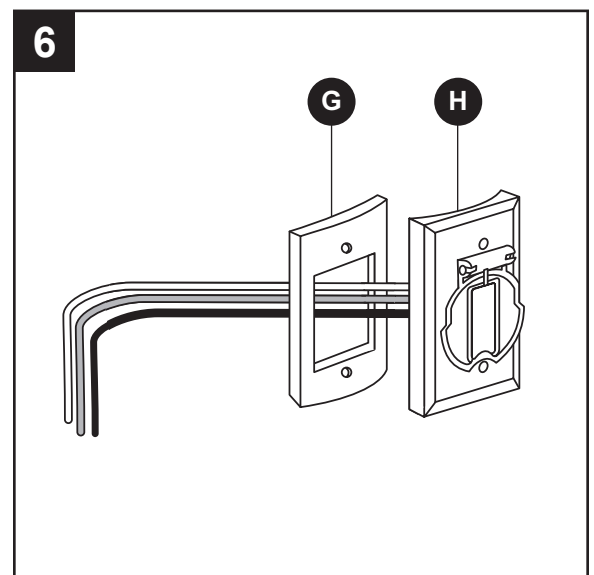
4. Remove the decorative ball (C) from one end of the crossbar (B). Insert the crossbar (B) through both 3/4 in. diameter holes in the lantern post (A). Re-attach the decorative balls (C) and position the crossbar (B) as desired.



5. Route the wires from the light fixture (not included) down through the hole in the top of the lantern post (A) and out through the same hole through which the supply wires were fed. Label the light fixture wires with the word "light". Install the light fixture to the top of the lantern post (A) according to the manufacturer's instructions.

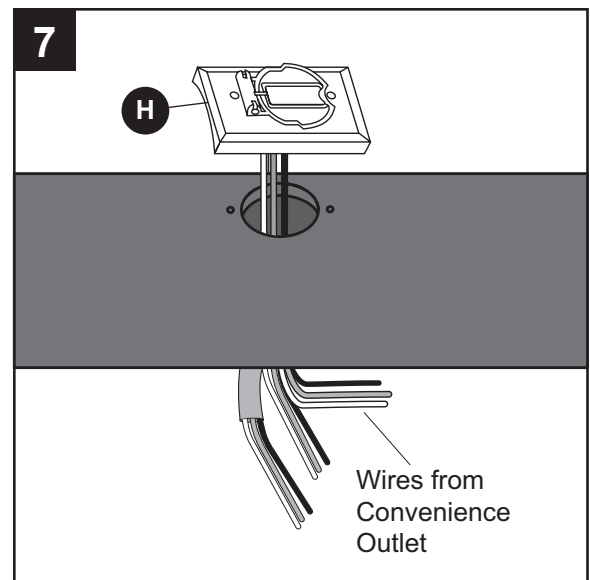


6. Feed the wires from the convenience outlet (H) through the soft outlet gasket (G). Then label the wires from the convenience outlet (H) with the word "outlet".



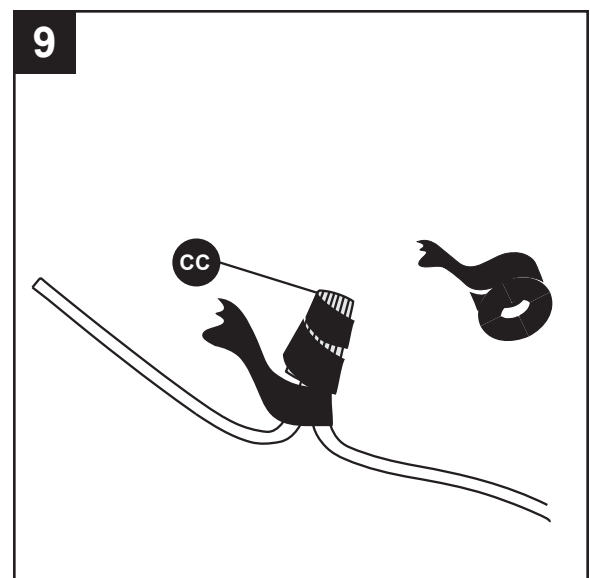
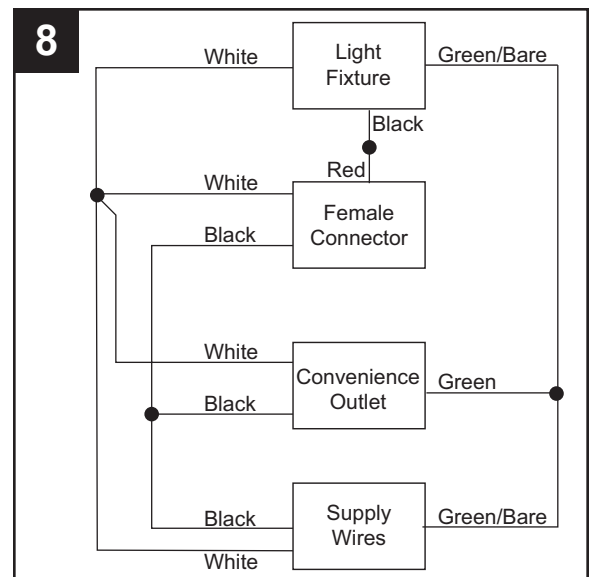
ASSEMBLY INSTRUCTIONS

7. Route the wires from the convenience outlet (H) through the empty hole and out the hole with the supply and lantern wires.



8. Connect with supply, light fixture, convenience outlet (H) and male connector (F) wires according to the diagram and these steps:
- Connect the Green wire from the convenience outlet (H) to the Green/Bare power supply wire and the Green/Bare wire from the light fixture using a wire connector (CC).
 - Connect the White wire from the convenience outlet (H) to the White wire from the male connector (F), the White power supply wire and the White light fixture wire with a wire connector (CC).
 - Connect the Black wire from the convenience outlet (H) to the Black wire from the male connector (F) and the Black power supply wire using a wire connector (CC).
 - Connect the Red wire from the male connector (F) to the Black light fixture wire using a wire connector (CC).

Note: The Black wire is hot power. The White wire is common. The Green wire is the ground wire. If wires are different colors than referred to above, stop immediately. It is recommended a professional electrician determines the proper wiring.



Hardware Used

CC Wire Connector  x 4

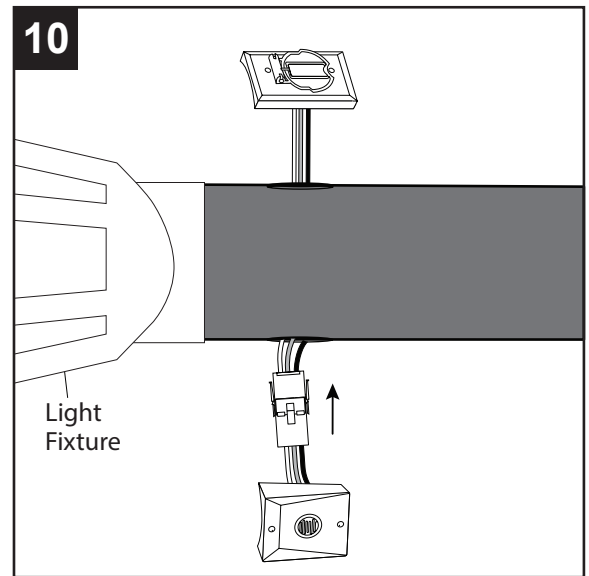
9. Wrap electrical tape (not included) around each individual wire connector (CC) down to the wire.

ASSEMBLY INSTRUCTIONS

10. Gently push the wires and wire connectors (CC) into the pole.

Hardware Used

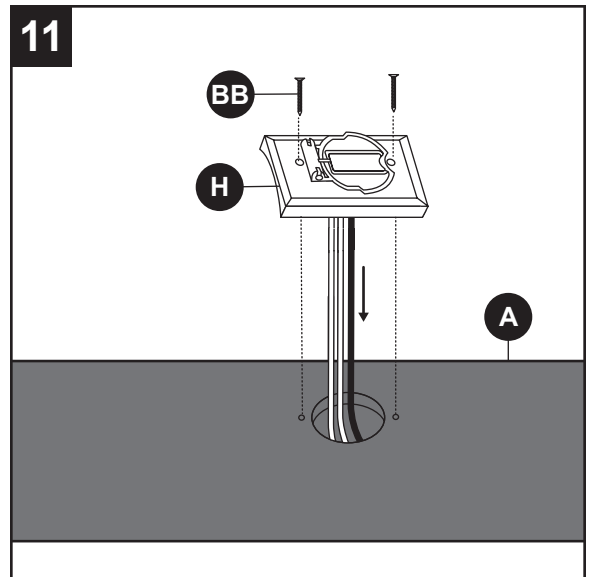
BB Wire Connector  x 4



11. Secure the convenience outlet (H) to the lantern post (A) using the self-tapping screws (BB) and tighten with a Phillips screwdriver (not included).

Hardware Used

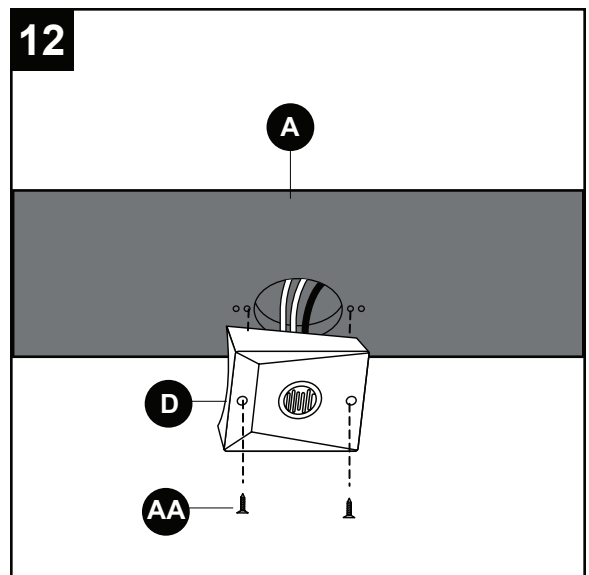
BB Self-Tapping Screw  x 2



12. Secure the photo eye (D) to the lantern post (A) using the mounting screws (AA) and tighten with a Phillips screwdriver.

Hardware Used

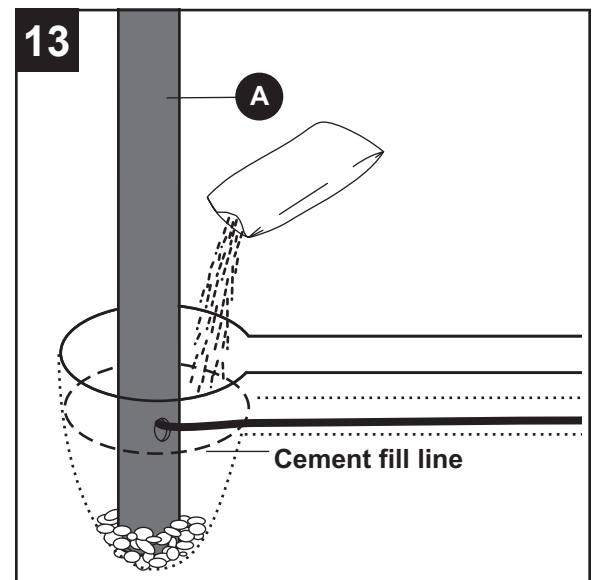
AA Mounting Screw  x 2



ASSEMBLY INSTRUCTIONS

13. Once the lantern post (A) is completely assembled, secure the lantern post (A) into the hole with concrete (not included). Note: Ensure the bottom of the lantern post (A) is embedded in the gravel and is level before pouring the concrete up to just below the inlet hole. DO NOT pour concrete up to the ground level.

Continue to hold the lantern post (A) stable until the concrete hardens, then fill the hole and trench with soil or sod (not included) to the ground level.



CARE AND MAINTENANCE

Periodically clean with warm water, soap and a non-abrasive cloth.

TROUBLESHOOTING

PROBLEM	POSSIBLE CAUSE	CORRECTIVE ACTION
The light cycles in the daylight.	The red and black wires may be reversed.	Ensure the red and black wires are wired correctly.
The light cycles on and off at night.	The sensor may be exposed to a nearby streetlight or other light source.	Ensure the photo eye is not exposed to a light source during the evening hours.
The light stays on in the daylight.	Insufficient light is reaching the photo eye.	<ul style="list-style-type: none"> Ensure sufficient light is reaching the photo cell of the control. Check for proper wiring.
The light does not come on at night.	The sensor may be exposed to a nearby streetlight or other light source.	Ensure the photo eye is not exposed to a light source during nighttime hours.

LIMITED LIFETIME WARRANTY

The manufacturer warrants all of its lighting fixtures against defects in materials and workmanship for three (3) years from the date of purchase. If within this period the product is found to be defective, take a copy of the bill of sale as a proof of purchase and the product in its original carton to the place of purchase. The manufacturer will, at its option, repair, replace or refund the purchase price to the consumer. All costs of installation and removal of the fixture is the responsibility of the consumer. This warranty does not cover fixtures becoming defective due to misuse, accidental damage or improper handling and/or installation and specifically excludes liability for direct, incidental or consequential damages. As some states do not allow exclusions of limitations on an implied warranty, the above exclusion and limitation may not apply. This warranty gives you specific rights and you may also have other rights which may vary from state to state.

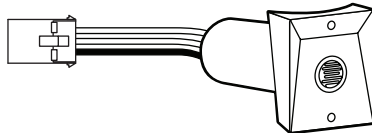
REPLACEMENT PARTS LIST

For replacement parts, call the customer service department at 1-800-643-0067, 8 a.m. - 6 p.m., EST Monday - Thursday, 8 a.m. - 5 p.m., EST, Friday.

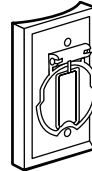
PART	DESCRIPTION	PART #
C	Decorative Ball	0013807-C
D	Photo Eye	0013807-D
H	Convenience Outlet	0013807-H
HW	Hardware Kit	0013807-HW



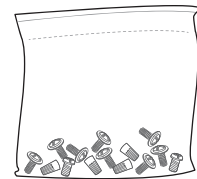
C



D



H



HW

Printed in China

Portfolio® is a registered trademark of
LF, LLC. All Rights Reserved.