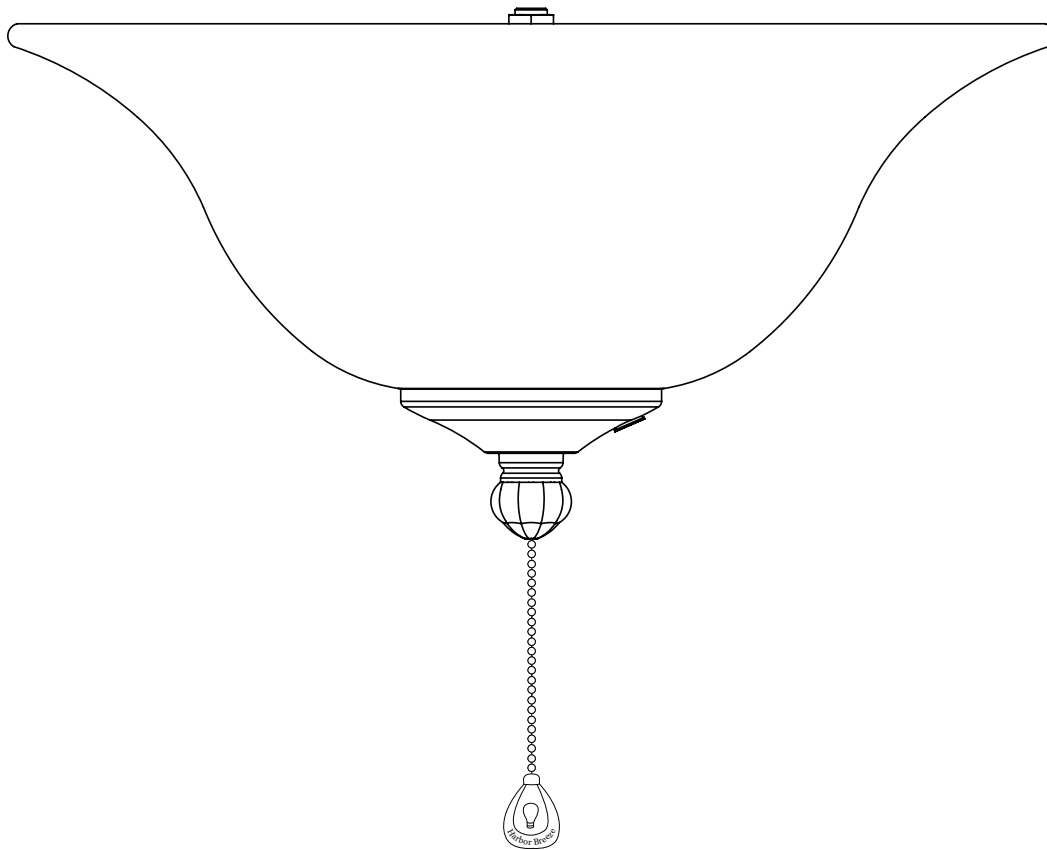




ITEM #0384191  
**CEILING FAN LIGHT KIT**  
MODEL #40309

**Español p. 10**

Harbor Breeze® is a registered trademark of LF, LLC. All Rights Reserved.



**ATTACH YOUR RECEIPT HERE**

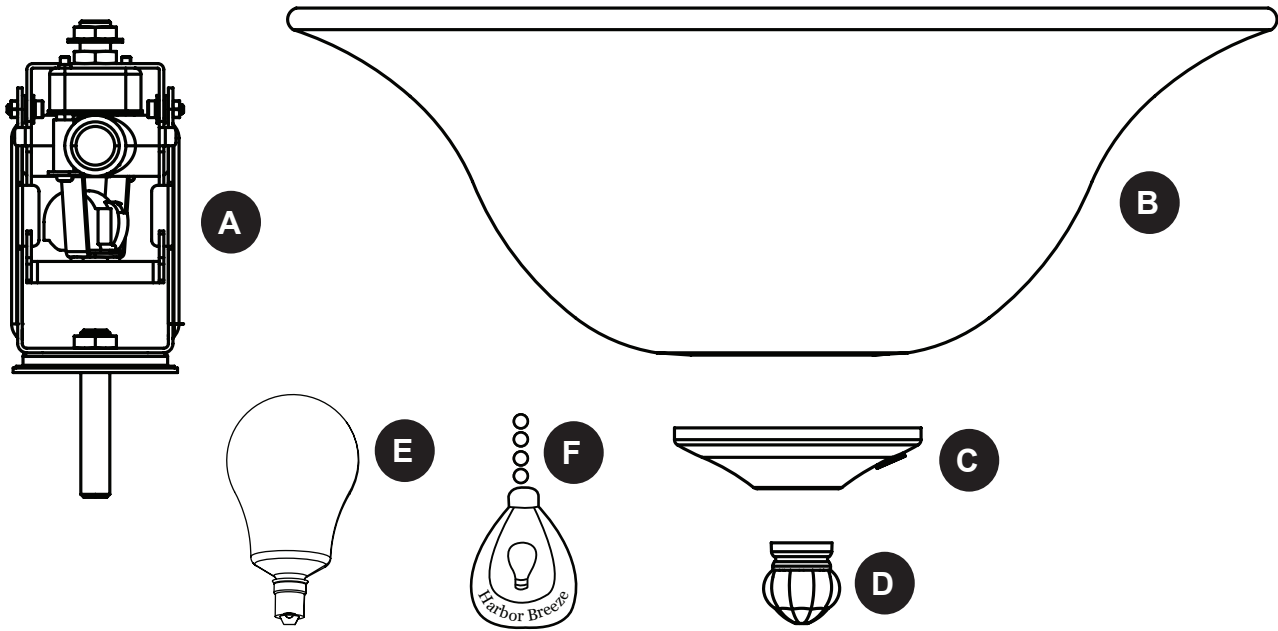
Serial Number \_\_\_\_\_ Purchase Date \_\_\_\_\_



**Questions, problems, missing parts?** Before returning to your retailer, call our customer service department at 1-800-643-0067, 8 a.m. - 6 p.m., EST, Monday - Thursday, 8 a.m. - 5 p.m., EST, Friday.



**PACKAGE CONTENTS**



PART	DESCRIPTION	QUANTITY
A	Light Kit Fitter	1
B	Glass Shade	1
C	Finial Plate	2
D	Finial	2
E	Bulb	3
F	Pull Chain Extension	1

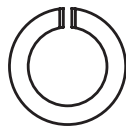
**HARDWARE CONTENTS (shown actual size)**

AA



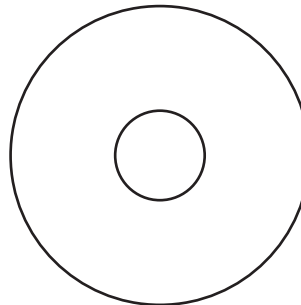
Hex Nut  
(preassembled to  
Light Kit Fitter (A))  
Qty. 2

BB



Lock Washer  
(preassembled to  
Light Kit Fitter (A))  
Qty. 1

CC



Rubber Washer  
(preassembled to  
Light Kit Fitter (A))  
Qty. 1



## SAFETY INFORMATION

---

Please read and understand this entire manual before attempting to assemble, operate or install the product. Failure to do so could lead to electrical shock, fire or other injuries that could be hazardous or even fatal.

- Before you begin installing the light kit, disconnect the power by removing fuses or turning off the circuit breakers.
- Make sure that all electrical connections comply with local codes, ordinances, the National Electrical Code, and ANSI/NFPA 70-199. Hire a qualified electrician or consult a do-it-yourself wiring handbook if you are unfamiliar with installing electrical wiring.
- The net weight of the light kit is less than 4.4 lbs.

### LISTED FOR DAMP LOCATION

Federal regulations require ceiling fans with light kits manufactured or imported after January 1, 2009, to limit total wattage consumed by the light kit to 190W. Therefore, this light kit is equipped with a wattage limiting device.

### DANGER:

- DO NOT connect this fixture to an electrical system that does not provide a means for equipment grounding. Never use a fixture in a two-wire system that is not grounded. Installing a fixture into an electrical system not having a proper grounding means could cause metal parts of the fixture to carry electrical currents if any of the fixture wires, wire connections or splices were to become broken, cut or loose during the mounting or normal operation of the fixture. Under this condition, anyone coming in contact with the fixture would be subject to electrical shock, which could cause serious injury or death.
- DO NOT connect the bare or green insulation fixture ground wire to the black (hot) current-carrying wire or the white neutral house wire. Connection of the bare or green fixture ground wire to the black or white house wires may cause metal parts of the fixture to carry electrical currents. Under this condition anyone coming in contact with the fixture will receive electrical shock, which could cause serious injury or death.
- DO NOT damage or cut the wire insulation (covering) during installation of the fixture. DO NOT permit wires to contact any surface having a sharp edge. To do so may damage or cut the wire insulation, which could cause serious injury or death from electrical shock.

### WARNING:

- All electrical connections must be in agreement with local codes and ordinances, the National Electric Code (NEC) and ANSI/NFPA 70-1999. Contact your municipal building department to learn about your local codes, permits and/or inspections. Risk of fire - most dwellings built before 1985 have supply wire rated for 140°F. Consult a qualified electrician before installation.
- To avoid personal injury, the use of gloves may be necessary while handling fixture parts with sharp edges.
- DO NOT suspend any fixture by the house wires. A fixture must always be mounted directly to a ceiling fan that is mounted directly to an outlet box. Wire connectors will not support the weight of a fixture. Suspending a fixture by the house wires and wire connectors will result in the fixture falling, with the possibility of personal injury and the danger of electrical shock or fire.
- To reduce the risk of fire, electrical shock, or personal injury, each wire connector used with this light kit should accept only one 18-gauge wire from the light kit and one 18-gauge wire from the ceiling fan. If there are three or more wires to connect or any of the wires is larger than 18 gauges, consult an electrician for the proper size wire connectors to use.



## SAFETY INFORMATION

---

### **⚠ CAUTION:**

- TURN OFF ELECTRICITY at the main fuse box (or circuit breaker box) before beginning installation by removing the fuse (or switching the circuit breaker off). If you are not sure the lighting system has a grounding means, DO NOT attempt to install this fixture. Contact a qualified, licensed electrician for information regarding the proper grounding methods as required by the local electrical code in your area.
- All fixtures must be mounted to a ceiling fan that is mounted to an outlet box that is supported by the building structure.
- DO NOT use bulbs having a wattage greater than the maximum value stated on the fixture. The use of bulbs with higher wattage than specified will increase temperatures and risk of fire.
- If a dimmer control switch is used with this fixture, obtain professional advice to determine the correct type to use as well as the electrical rating required.

## PREPARATION

---

Before beginning the assembly of this product, ensure that all parts are present. Compare all parts with the package contents list and hardware contents list. If any part is missing or damaged, do not attempt to assemble the product.

**Estimated Assembly Time:** 30 minutes

Tools Required for Assembly (not included): Flathead screwdriver, Phillips screwdriver, pliers, wire cutters, safety glasses, step ladder, wire connectors (included with fan), and electrical tape

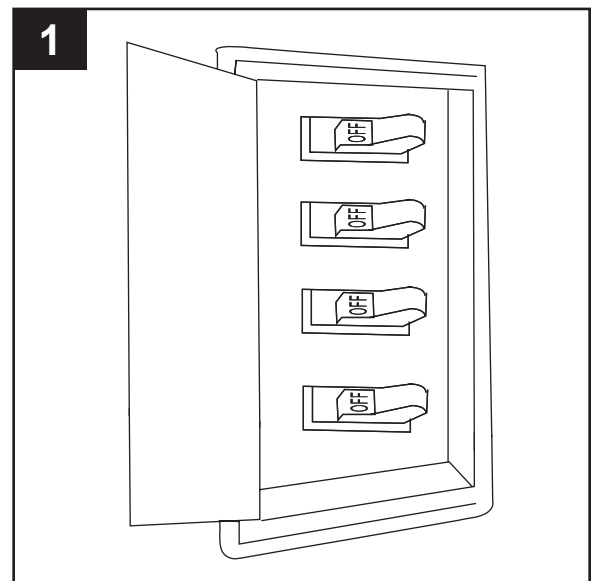
Helpful Tools (not included): Wire strippers, A/C tester light, wiring handbook, soft cloth

## ASSEMBLY INSTRUCTIONS

---

1. Turn off the circuit breakers and the wall switch to the fan supply line leads.

**⚠ DANGER:** Failure to disconnect the power supply prior to installation may result in serious injury or death.



## ASSEMBLY INSTRUCTIONS


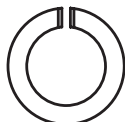
- Remove the three switch housing screws and lower switch housing from the existing fan. If applicable, disconnect the male and female plugs located inside the switch housing (Fig. 2a).

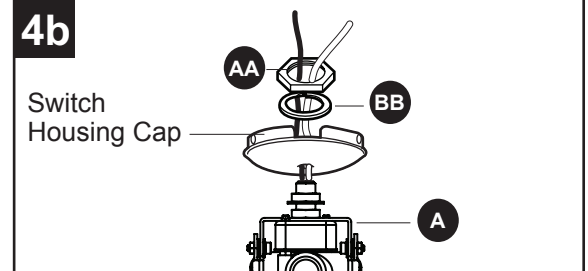
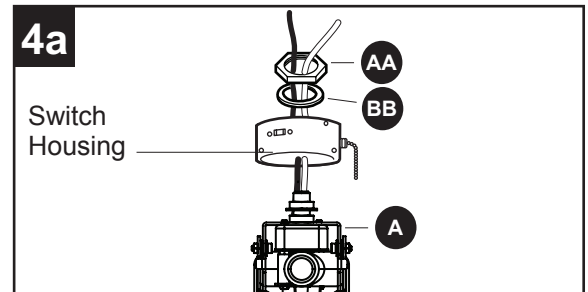
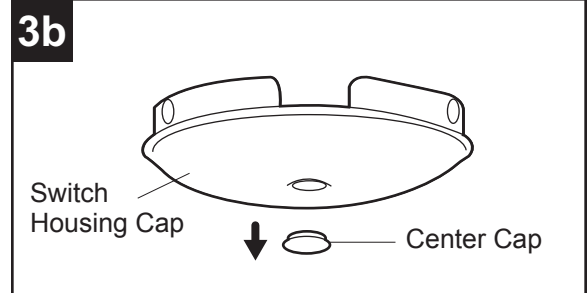
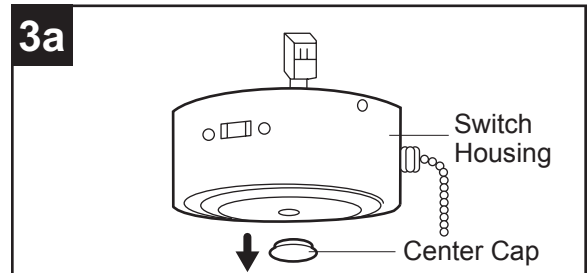
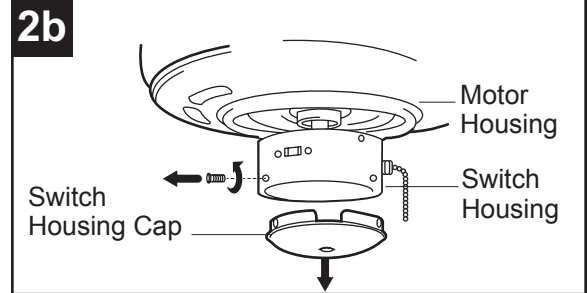
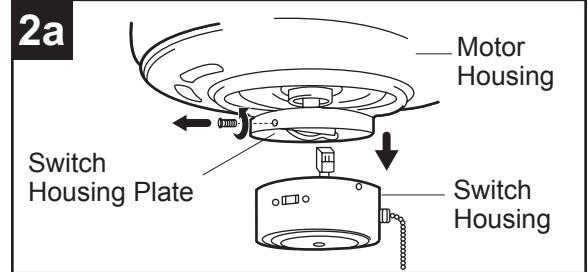
**Note:** If your existing fan has a switch housing cap, remove only the switch housing cap by removing the switch housing screws at the bottom of the switch housing (Fig. 2b).

- Use a screwdriver (not included) to push out the center cap from either the switch housing (Fig. 3a) or the switch housing cap (Fig. 3b).

- Remove the hex nut (AA) and lock washer (BB) from the rod on the top of the light kit fitter (A). Gently feed the wires from the light kit fitter (A) through the hole in the center of the switch housing (Fig. 4a) or switch housing cap (Fig. 4b). Thread the rod from the light kit fitter (A) into the switch housing cap. Then thread the wires through the lock washer (BB) and hex nut (AA) and tighten the hex nut (AA) over the lock washer (BB) to secure the rod.

### Hardware Used

<b>AA</b>	Hex Nut		x 1
<b>BB</b>	Lock Washer		x 1



## ASSEMBLY INSTRUCTIONS

- Remove the existing wire connectors from the white and blue wires labeled FOR LIGHT in the switch housing. Connect the white wire from the light kit fitter (A) to the white wire from the fan. Connect the black wire from the light kit fitter (A) to the blue wire from the fan. (Fig. 5a/ Fig. 5b) If applicable, reconnect the male plug from the motor housing to the female plug from the switch housing. Ensure the plugs connect securely (Fig. 5a).

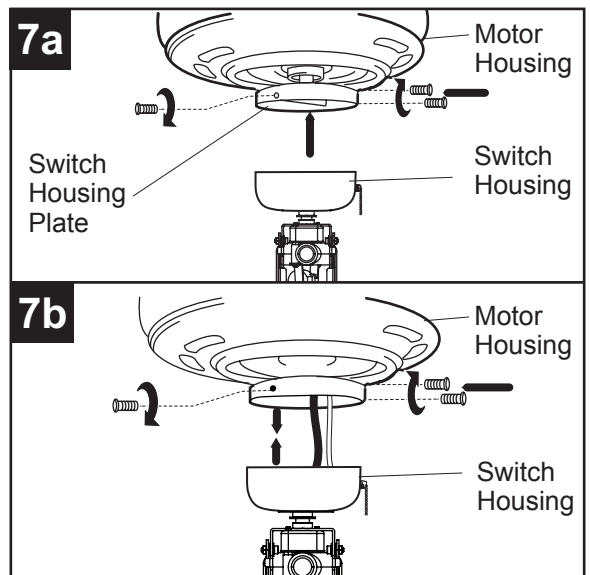
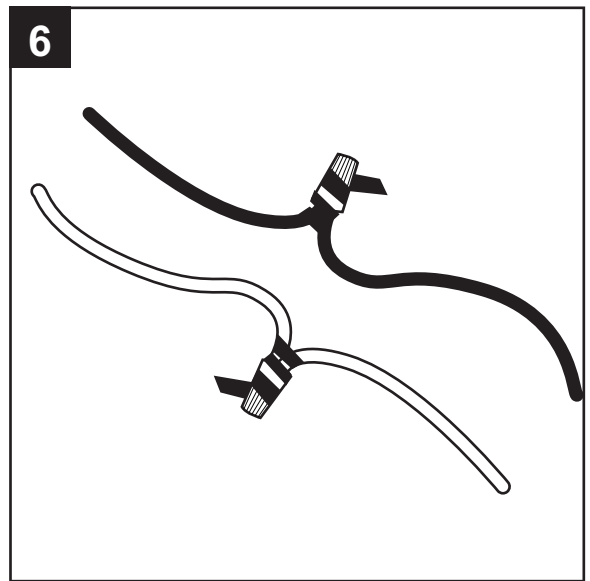
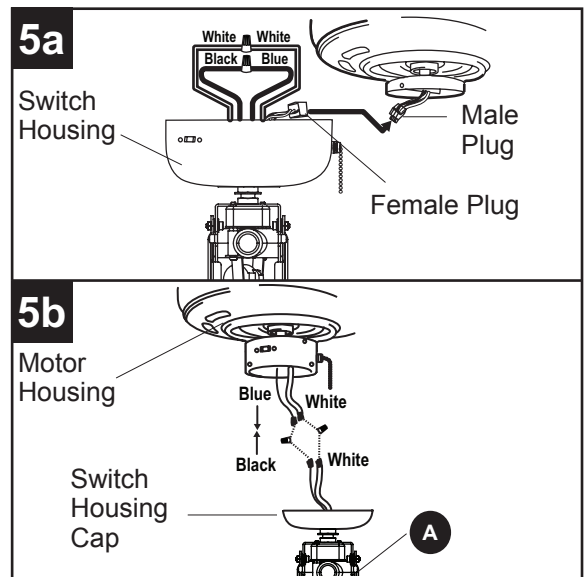
**⚠ WARNING:** To reduce the risk of fire, electrical shock or personal injury, each wire connector used with this light kit should accept only one 18-gauge wire from the light kit and one 18-gauge wire from the ceiling fan. If there are three or more wires to connect or any of the wires is larger than 18 gauges, consult an electrician for the proper size wire connectors to use.

- Reconnect the wire connectors and twist in a clockwise direction. Wrap electrical tape (not included) around each individual wire connector down to the wire.

- Align three holes in the switch housing cap with three holes in the switch housing plate. Reattach the switch housing with the three screws that were removed in Step 2. Tighten all screws securely (Fig. 7a).

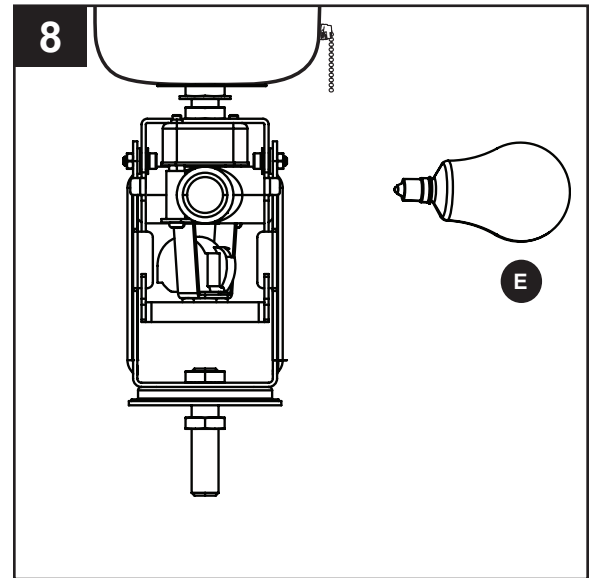
**Note:** To reconnect the switch housing cap, align the holes in the switch housing cap with the holes at the bottom of the switch housing and use the three previously removed screws to secure the switch housing cap. (Fig. 7b).

**Note:** When attaching switch housing or switch housing cap, turn assembly as necessary to ensure fan pull chain falls between glass shades and functions without interference.

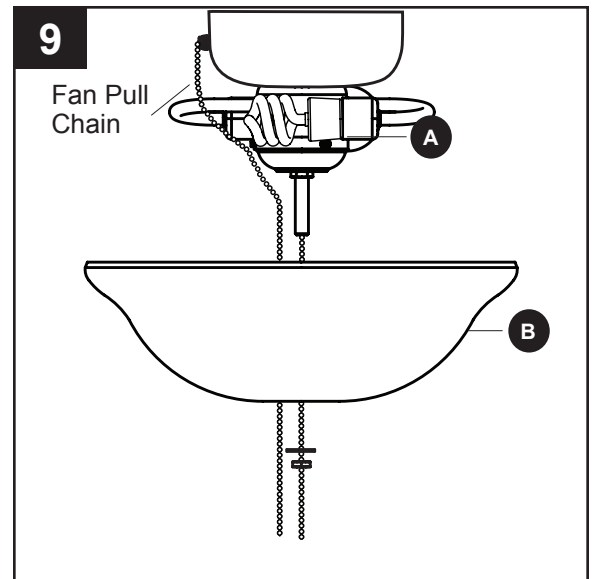


## ASSEMBLY INSTRUCTIONS


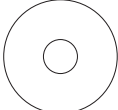
8. Install bulbs (E).



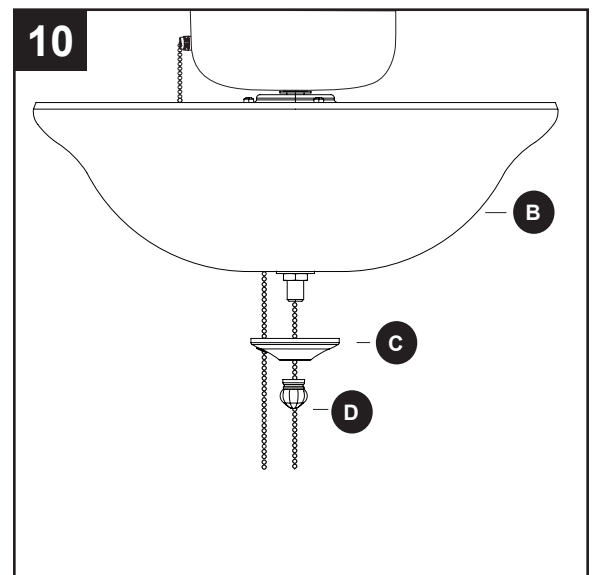
9. Remove the pull chain extension from the fan pull chain coming from the switch housing. Feed pull chain coming from the center of the light kit fitter (A) through the center hole in the glass shade (B), rubber washer (CC) and hex nut (AA). Feed the pull chain coming from the switch housing through the off-center hole in the glass globe (B).



### Hardware Used

<b>AA</b>	Hex Nut		x 1
<b>CC</b>	Rubber Washer		x 1

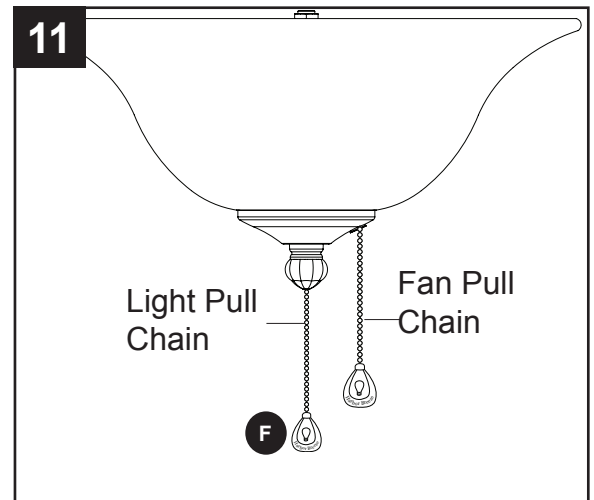
10. Lift the glass shade (B) and rubber washer (CC) over the threaded rod on light kit fitter (A), then secure with hex nut (AA). Choose finial plate (C) and finial (D) that most closely match the finish color of the existing fan; you may discard the remaining finial plate (C) and finial (D). Feed the pull chains through the appropriate holes in the finial plate (C) and the hole in the finial (D). Lift the finial plate (C) up until it is flush with the glass shade (B). Screw the finial (D) onto the threaded rod of the light kit fitter (A).



## ASSEMBLY INSTRUCTIONS

11. Attach pull chain extension (F) to the light pull chain and reattach the previously removed extension to the fan pull chain.

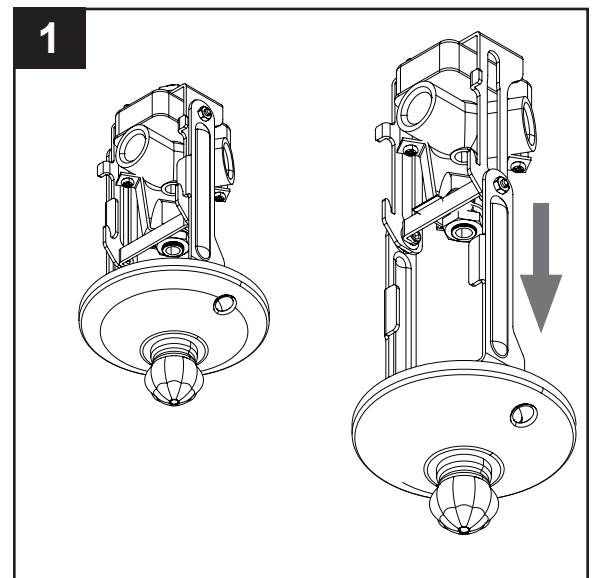
Restore the power and test light kit.



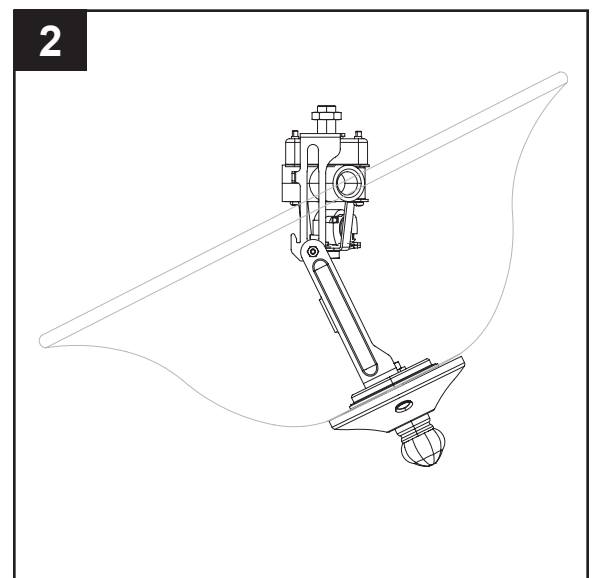
## OPERATING INSTRUCTIONS

1. To change the bulbs or clean the fixture, lower the light kit assembly by pushing up on the glass shade (B). Once it is pushed completely up, tilt the glass shade (B) and gently lower.

**Note:** The lower arms of the light kit fitter (A) will extend downward approximately 2.5 in., but will not allow the fixture to fall.



2. Once maintenance has been performed, simply lift the lift the glass shade (B) back up to its original position. The light kit fitter (A) is secure once it clicks into place.





## TROUBLESHOOTING

---

PROBLEM	POSSIBLE CAUSE	CORRECTIVE ACTION
Bulbs will not light.	<ol style="list-style-type: none"><li>1. The bulbs are not installed correctly.</li><li>2. The light kit wire plugs are not connected properly.</li><li>3. Faulty wire connection.</li><li>4. The fan has a 190W limiter. When total wattage exceeds 190W, the lights do not work.</li></ol>	<ol style="list-style-type: none"><li>1. Reinstall the bulbs.</li><li>2. Ensure the male and female plugs are connected properly.</li><li>3. Turn the power off and check all connections at the ceiling outlet box.</li><li>4. Replace with bulbs with lower wattage.</li></ol>

## ONE-YEAR LIMITED WARRANTY

---

The manufacturer warrants all of its lighting fixtures against defects in materials and workmanship for one (1) year from the date of purchase. If within this period the product is found to be defective, take a copy of the bill of sale as a proof of purchase and the product in its original carton to the place of purchase. The manufacturer will, at its option, repair, replace or refund the purchase price to the consumer. All costs of installation and removal of the fixture is the responsibility of the consumer. This warranty does not cover fixtures becoming defective due to misuse, accidental damage or improper handling and/or installation and specifically excludes liability for direct, incidental or consequential damages. As some states do not allow exclusions of limitations on an implied warranty, the above exclusion and limitation may not apply. This warranty gives you specific rights and you may also have other rights which may vary from state to state.

Printed in China

Harbor Breeze® is a registered trademark of LF, LLC. All rights reserved.



Lowes.com/harborbreeze

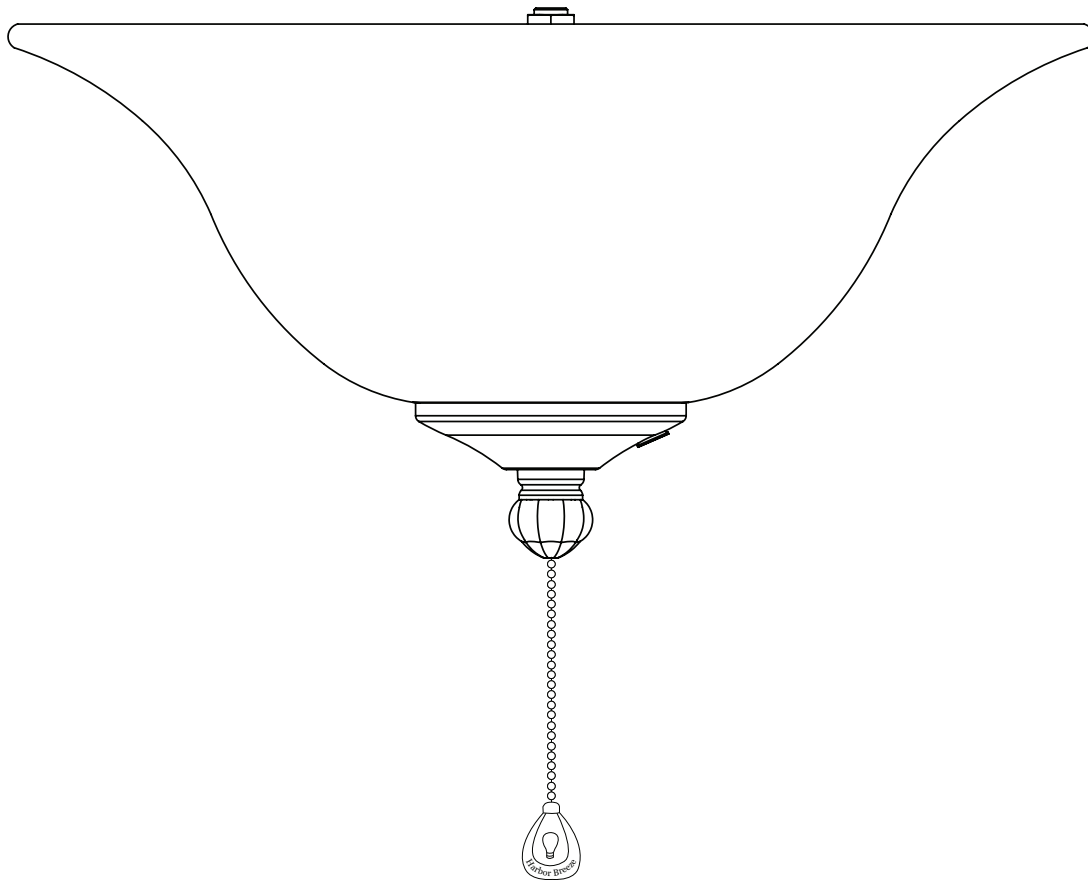


ARTÍCULO #0384191

# KIT DE ILUMINACIÓN PARA VENTILADOR DE TECHO

MODELO #40309

Harbor Breeze® es una marca registrada de LF, LLC.  
Todos los derechos reservados.



## ADJUNTE SU RECIBO AQUÍ

Número de serie \_\_\_\_\_ Fecha de compra \_\_\_\_\_

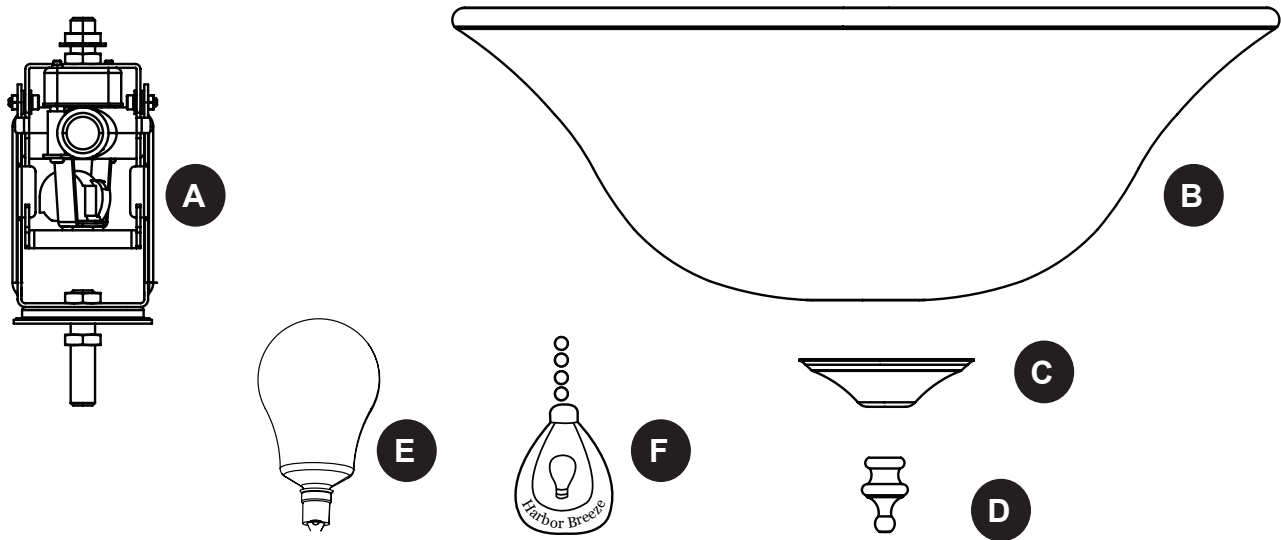


**¿Preguntas, problemas, piezas faltantes?** Antes de volver a la tienda, llame a nuestro Departamento de Servicio al Cliente al 1-800-643-0067 de lunes a jueves de 8 a.m. a 6 p.m. y los viernes de 8 a.m. a 5 p.m., hora estándar del Este.

Lowes.com/harborbreeze



## CONTENIDO DEL PAQUETE



PIEZA	DESCRIPCIÓN	CANTIDAD
A	Soporte del kit de iluminación	1
B	Pantalla de vidrio	1
C	Placa del remate	2
D	Remate	2
E	Bombilla	3
F	Extensión para la cadena de tiro	1

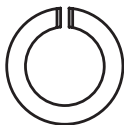
## ADITAMENTOS (se muestra en tamaño real)

AA



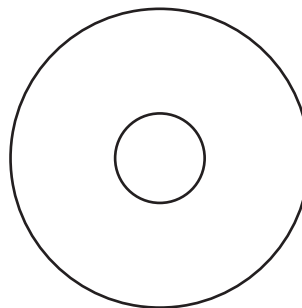
Tuerca hexagonal  
(preensamblada en  
el soporte del kit de  
iluminación (A))  
Cant. 2

BB



Arandela de  
seguridad  
(preensamblada en  
el soporte del kit de  
iluminación (A))  
Cant. 1

CC



Arandela de goma  
(preensamblada en  
el soporte del kit de  
iluminación (A))  
Cant. 1

## INFORMACIÓN DE SEGURIDAD

- Lea y comprenda completamente este manual antes de intentar ensamblar, usar o instalar el producto. No hacerlo podría provocar descargas eléctricas, incendios u otras lesiones, las que pueden ser peligrosas o incluso fatales.
- Antes de comenzar a instalar el kit de iluminación, desconecte la alimentación eléctrica; para esto retire los fusibles o coloque el interruptor de circuito en la posición de apagado.
- Asegúrese de que todas las conexiones eléctricas cumplan con los códigos y ordenanzas locales, el Código Eléctrico Nacional y la norma ANSI/NFPA 70-199. Si no está familiarizado con la instalación del cableado eléctrico, contrate a un electricista calificado o consulte un manual de cableado para hacerlo usted mismo.
- El peso neto del kit de iluminación es menor que 2 kg.

### **CLASIFICADO PARA LUGARES HÚMEDOS**

Los reglamentos federales requieren que los ventiladores de techo con kit de iluminación fabricados o importados después del 1 de enero de 2009, tengan un límite de vataje total consumido por el kit de iluminación de 190 vatios. Por lo tanto, este kit de iluminación está equipado con un dispositivo de control de vataje.

### **PELIGRO:**

- NO conecte esta lámpara a un sistema eléctrico que no proporcione un medio de puesta a tierra para el equipo. Nunca utilice una lámpara en un sistema de dos conductores que no tenga puesta a tierra. Instalar una lámpara en un sistema eléctrico que no tenga una puesta a tierra adecuada podría provocar que las piezas de metal de la lámpara conduzcan corriente eléctrica si cualquiera de los cables, las conexiones del cableado o los empalmes de la lámpara se rompen, se cortan o se sueltan durante el montaje o funcionamiento normal. En esta situación, cualquier persona que entre en contacto con la lámpara podría recibir una descarga eléctrica, la que podría provocar lesiones graves o la muerte.
- NO conecte el conductor de puesta a tierra de aislamiento desnudo o verde de la lámpara al conductor negro (de corriente) que lleva la corriente o al conductor blanco neutro de la casa. Conectar el conductor de tierra desnudo o verde de la lámpara al conductor negro o blanco interior puede provocar que las piezas metálicas de la lámpara conduzcan corriente eléctrica. En esta situación, cualquier persona que entre en contacto con el ensamble recibirá una descarga eléctrica, la que podría provocar lesiones graves o la muerte.
- NO dañe ni corte el aislamiento del conductor (cubierta) durante la instalación de la lámpara. NO permita que los conductores entren en contacto con superficies que tengan un borde afilado, ya que esto podría dañar o cortar el aislamiento del conductor y provocar lesiones graves o la muerte debido a una descarga eléctrica.

### **ADVERTENCIA:**

- Todas las conexiones eléctricas deben cumplir con los códigos y ordenanzas locales, el Código Nacional de Electricidad (NEC, por sus siglas en inglés) y la norma ANSI/NFPA 70-1999. Póngase en contacto con su Departamento de construcción municipal para consultar sobre sus códigos, permisos y/o inspecciones locales. Riesgo de incendio: La mayoría de las casas construidas antes de 1985 tienen cables conductores clasificados para 60 °C. Consulte a un electricista calificado antes de instalar.
- Para evitar lesiones personales, puede ser necesario usar guantes al manipular las piezas de la lámpara con bordes filosos.
- NO cuelgue ninguna lámpara de los cables de la casa. Siempre se debe montar la lámpara directamente en un ventilador de techo que esté montado directamente en la caja de salida. Los conectores de cables no sostendrán el peso de una lámpara. Si cuelga una lámpara de los cables de la casa y los conectores de cables, ésta se caerá y podría provocar lesiones personales y peligro de descarga eléctrica o incendio.

## INFORMACIÓN DE SEGURIDAD

### ⚠️ ADVERTENCIA:

- Para reducir el riesgo de incendios, descargas eléctricas o lesiones personales, cada conector de cable utilizado en este kit de iluminación debería soportar solo un conductor de calibre 18 del kit de iluminación y un conductor de calibre 18 del ventilador de techo. Si hay tres o más conductores para conectar o si cualquiera de los conductores tiene un calibre superior a 18, consulte a un electricista cuál es el tamaño adecuado de los conectores de cables que debe utilizar.

### ⚠️ PRECAUCIÓN:

- DESCONECTE EL SUMINISTRO DE ELECTRICIDAD en la caja de fusibles principal (o desde la caja del interruptor de circuito) antes de comenzar la instalación; para hacerlo, retire el fusible (o apague el interruptor de circuito). NO intente instalar esta lámpara si no está seguro de que su sistema de iluminación tiene una puesta a tierra. Póngase en contacto con un electricista calificado y certificado para obtener información sobre los métodos adecuados de puesta a tierra exigidos por el código local de electricidad de su área.
- Todas las lámparas se deben montar directamente en un ventilador de techo que esté montado en una caja de salida, la que a su vez está sostenida de la estructura del edificio.
- NO utilice bombillas de un vataje mayor que el valor máximo establecido en la lámpara. La utilización de bombillas cuyo vataje sea mayor que el especificado incrementará la temperatura y producirá riesgo de incendio.
- Si se utiliza un regulador de control de intensidad con esta lámpara, solicite asesoría profesional para determinar el tipo y la clasificación eléctrica correcta que se requiere.

## PREPARACIÓN

Antes de comenzar a ensamblar este producto, asegúrese de tener todas las piezas. Compare todas las piezas con la lista del contenido del paquete y la lista de aditamentos. No intente ensamblar el producto si falta alguna pieza o si estas están dañadas.

**Tiempo estimado de ensamblaje:** 30 minutos

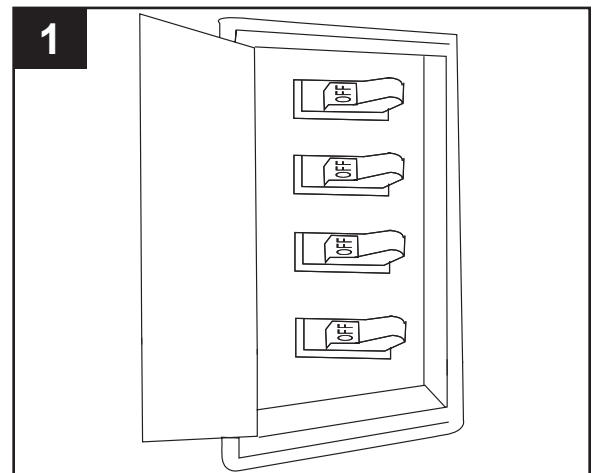
Herramientas necesarias para el ensamblaje (no se incluyen): Destornillador de cabeza plana, destornillador Phillips, pinzas cortacables, gafas de seguridad, escalera de tijera y cinta aislante.

Herramientas útiles (no se incluyen): Pinzas pelacables, luz de prueba de C/A, manual de cableado, paño suave

## INSTRUCCIONES DE ENSAMBLAJE

1. Gire los interruptores de circuito y el interruptor de pared hacia los conductores de la línea de suministro del ventilador.

⚠️ **PELIGRO:** Si no interrumpe el suministro de electricidad antes de la instalación, pueden producirse lesiones graves o la muerte.



## INSTRUCCIONES DE ENSAMBLAJE


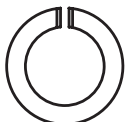
2. Retire los tres tornillos de la carcasa del interruptor y baje la carcasa del interruptor del ventilador existente. Si corresponde, desconecte los conectores macho y hembra ubicados dentro de la carcasa del interruptor (fig. 2a).

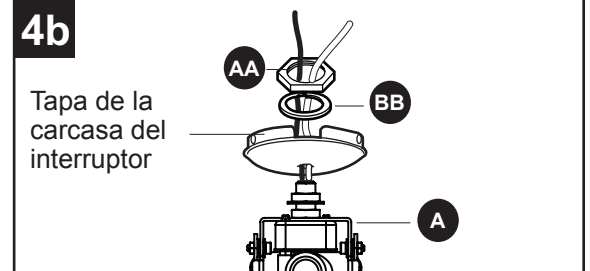
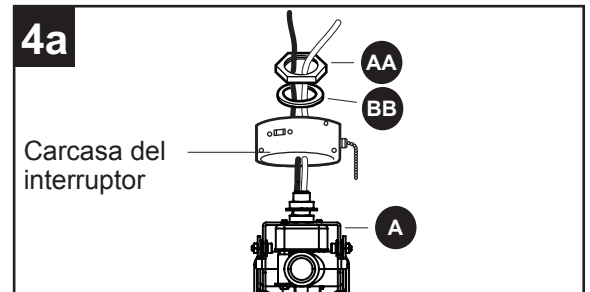
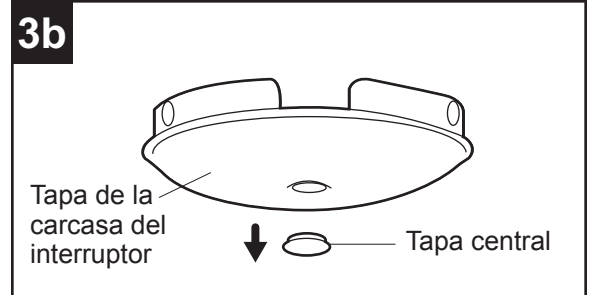
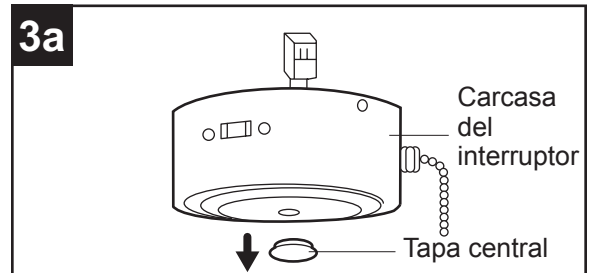
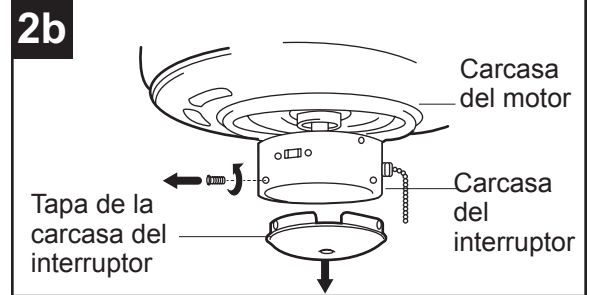
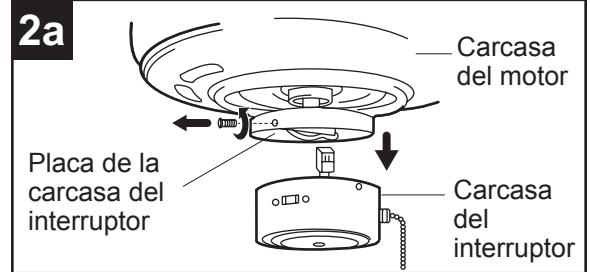
**Nota:** Si su ventilador existente posee una tapa de la carcasa del interruptor, retire solo la tapa retirando los tornillos de la carcasa del interruptor cerca de la parte inferior de la carcasa del interruptor (fig. 2b).

3. Use un destornillador (no se incluye) para presionar la tapa central desde la carcasa del interruptor (fig. 3a) o desde la tapa de la carcasa del interruptor (fig. 3b).

4. Retire la tuerca hexagonal preinstalada (AA) y la arandela de seguridad (BB) de la varilla roscada de la parte superior del soporte del kit de iluminación (A). Pase con cuidado los cables desde el soporte del kit de iluminación (A) a través del orificio en el centro de la carcasa del interruptor (fig. 4a) o de la tapa de la carcasa del interruptor (fig. 4b). Enrosque la varilla desde el soporte del kit de iluminación (A) en la tapa de la carcasa del interruptor. Luego enrosque los cables por la arandela de seguridad (BB) y la tuerca hexagonal (AA) y apriete la tuerca hexagonal (AA) en la varilla roscada.

### Aditamentos utilizados

- |           |                       |   |     |
|-----------|-----------------------|---|-----|
| <b>AA</b> | Tuerca hexagonal      |  | x 1 |
| <b>BB</b> | Arandela de seguridad |  | x 1 |



## INSTRUCCIONES DE ENSAMBLAJE

5. Retire los conectores de cables de los conductores blanco y azul etiquetados como para la luz en la carcasa del interruptor. Conecte el conductor blanco del soporte del kit de iluminación (A) con el conductor blanco del ventilador. Conecte el conductor negro del soporte del kit de iluminación (A) con el conductor azul del ventilador. (fig. 5a/fig. 5b) Si corresponde, vuelva a conectar el conector macho de la carcasa del motor al conector hembra de la carcasa del interruptor. Asegúrese de que los conectores estén bien colocados (fig. 5a).

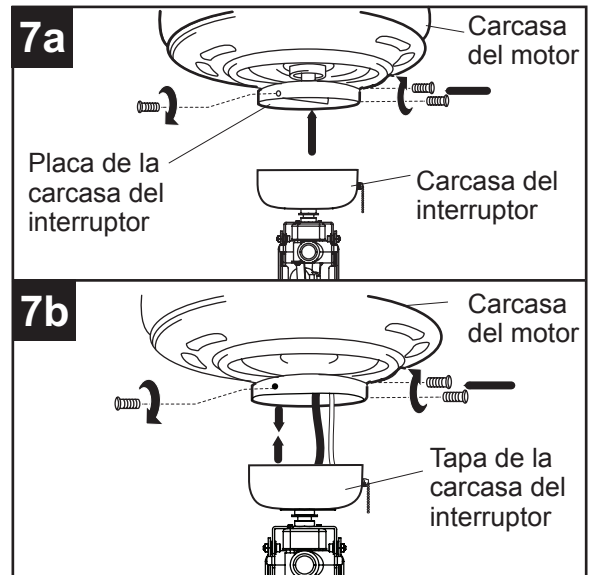
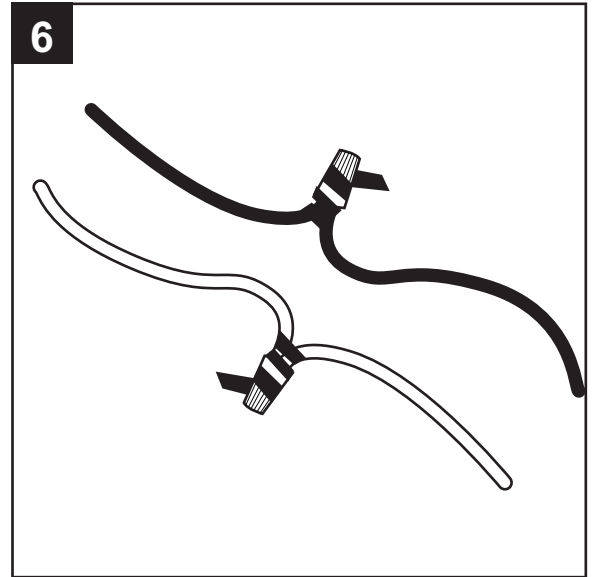
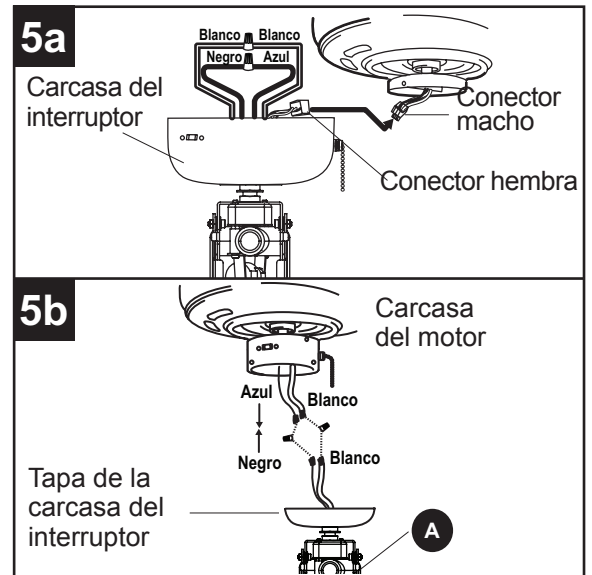
**⚠ ADVERTENCIA:** Para reducir el riesgo de incendios, descargas eléctricas o lesiones personales, cada conector de cable utilizado en este kit de iluminación debería soportar solo un conductor de calibre 18 del kit de iluminación y un conductor de calibre 18 del ventilador de techo. Si hay tres o más conductores para conectar o si cualquiera de los conductores tiene un calibre superior a 18, consulte a un electricista cuál es el tamaño adecuado de los conectores de cables que debe utilizar.

6. Vuelva a conectar los conectores de cables y gire en dirección de las manecillas del reloj. Cubra con cinta aislante (no se incluye) cada conector de cables individual hacia abajo del cable.

7. Alinee los tres orificios en la tapa de la carcasa del interruptor con los tres orificios en la placa de la carcasa del interruptor. Vuelva a instalar la carcasa del interruptor con los tres tornillos que retiró en el paso 2. Apriete bien todos los tornillos (fig. 7a).

**Nota:** Para volver a conectar la tapa de la carcasa del interruptor, alinee los orificios de la tapa de la carcasa del interruptor con los orificios en la parte inferior de esta y utilice los tres tornillos que retiró previamente para fijar la tapa de la carcasa del interruptor. (fig. 7b).

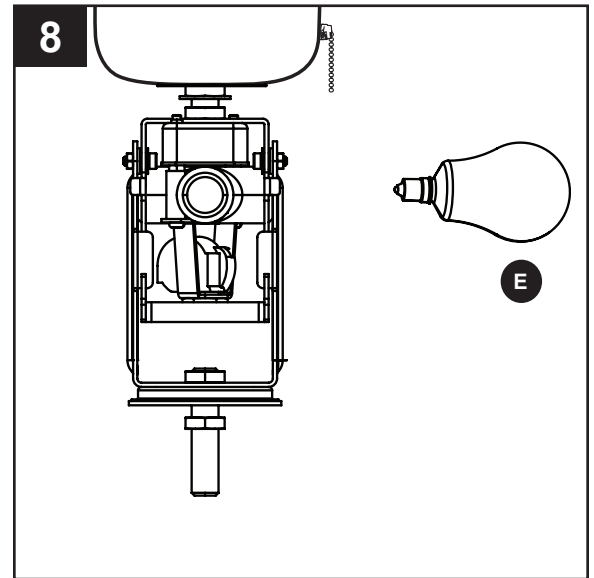
**Nota:** Cuando fije la carcasa del interruptor o la tapa de la carcasa del interruptor, gire el ensamble si es necesario para asegurar de que la cadena de tiro del ventilador caiga por entre las pantallas de vidrio y funcione sin interferencia.



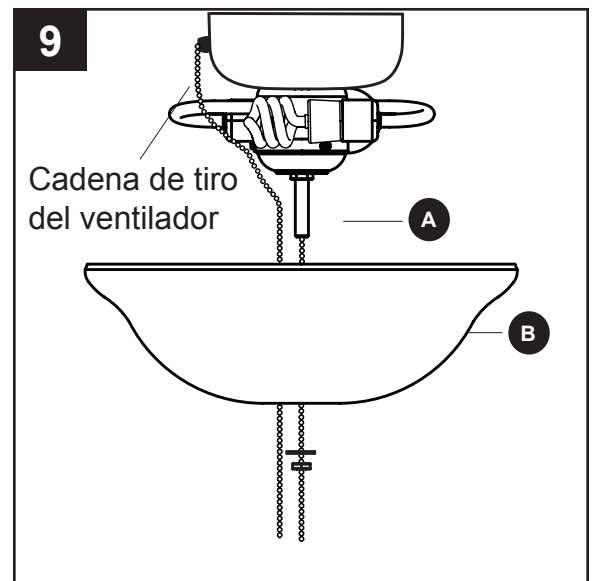


## INSTRUCCIONES DE ENSAMBLAJE

8. Instale las bombillas (E).

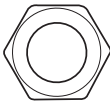



9. Retire la extensión de la cadena de tiro de la cadena de tiro del ventilador que proviene de la carcasa del interruptor. Pase la cadena de tiro que viene del centro del soporte del kit de iluminación (A) por el orificio central en la pantalla de vidrio (B), la arandela de goma (CC) y la tuerca hexagonal (AA). Pase la cadena de tiro que viene de la carcasa del interruptor por el orificio descentrado en la pantalla de vidrio (B). Suba la pantalla de vidrio (B) y la arandela de goma (CC) sobre la varilla roscada en el soporte del kit de iluminación (A)

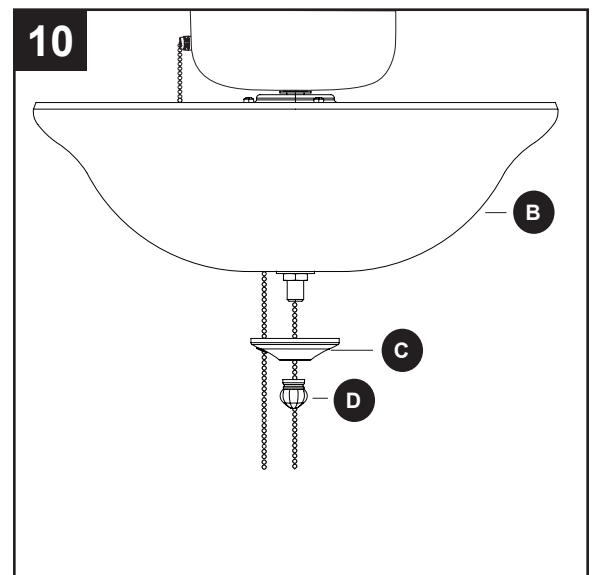


**AA** asegure con la tuerca hexagonal (AA).

### Aditamentos utilizados

<b>CC</b>	Tuerca hexagonal		x 1
	Arandela de goma		x 1

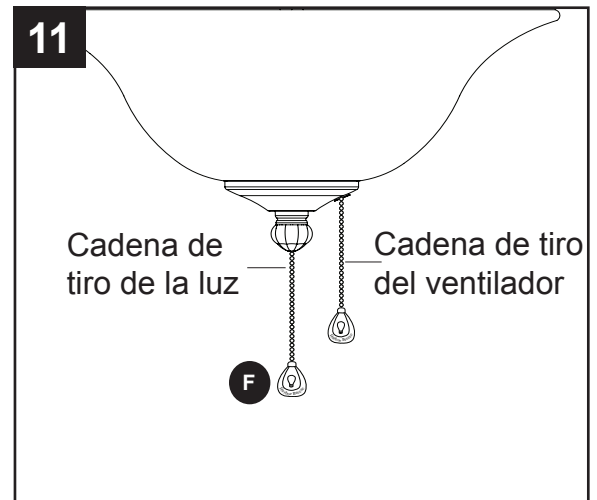
10. Escoja una placa de remate (C) y un remate (D) que correspondan mejor con el color del acabado del ventilador instalado; puede desechar las placa de remate (C) y lo remate (D) restantes. Pase las cadenas de tiro a través de los orificios correctos en la placa del remate (C) y el orificio en el remate (D). Suba la placa del remate (C) hasta que esté al ras de la pantalla de vidrio (B). Enrosque el remate (D) en la varilla roscada del soporte del kit de iluminación (A).





## INSTRUCCIONES DE ENSAMBLAJE

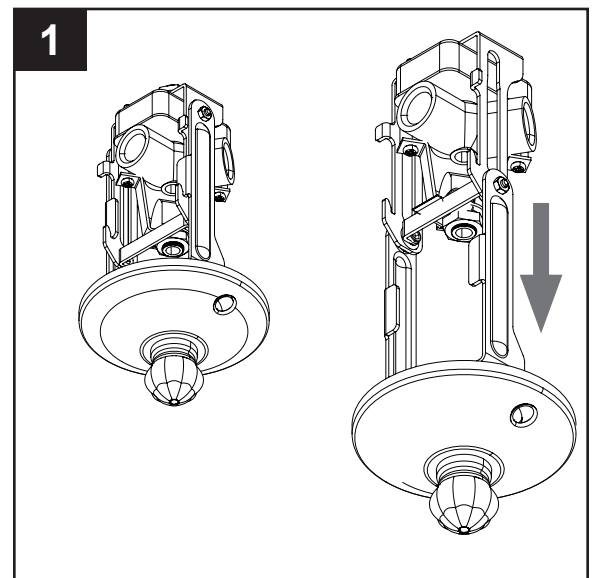
11. Fije la extensión de la cadena de tiro (F) a la cadena de tiro de la luz y vuelva a fijar la extensión previamente retirada a la cadena de tiro del ventilador. Restablezca la alimentación y pruebe el kit de iluminación.



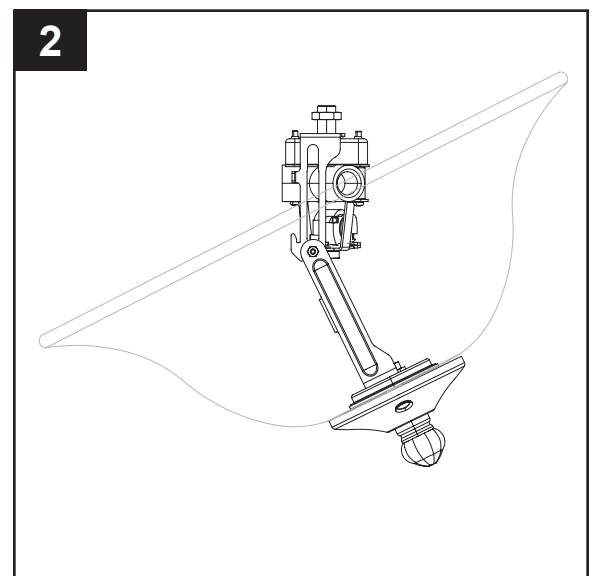
## INSTRUCCIONES DE FUNCIONAMIENTO

1. Para cambiar las bombillas o limpiar el aparato, baje el conjunto del kit de la luz presionando hacia arriba en la pantalla de vidrio (B). Después de empujarla por completo, incline la pantalla de vidrio (B) y bájela suavemente.

**Nota:** Los brazos inferiores del soporte del kit de iluminación (A) se extenderán hacia abajo aproximadamente 6,4 cm, pero no dejará que la lámpara caiga.



2. Después de realizar el mantenimiento, basta con levantar la pantalla de vidrio (B) a su posición original. El soporte del kit de iluminación (A) estará seguro cuando entre en su lugar con un clic.



## SOLUCIÓN DE PROBLEMAS

PROBLEMA	CAUSA POSIBLE	ACCIÓN CORRECTIVA
Las bombillas no se encienden.	<ol style="list-style-type: none"><li>1. Las bombillas no se instalaron correctamente.</li><li>2. Los enchufes de cables del kit de iluminación no están conectados apropiadamente.</li><li>3. Una conexión de los cables no es la correcta.</li><li>4. El ventilador cuenta con un limitador de electricidad a 190 vatios. Si el vataje total supera los 190 vatios, las luces no funcionan.</li></ol>	<ol style="list-style-type: none"><li>1. Vuelva a colocar las bombillas.</li><li>2. Asegúrese de que los enchufes macho y hembra estén bien conectados.</li><li>3. Desactive la alimentación eléctrica y revise todas las conexiones de la caja de salida del techo.</li><li>4. Reemplace las bombillas con unas de menor vataje.</li></ol>

## UN AÑO DE GARANTÍA LIMITADA

El fabricante garantiza que todas sus lámparas estarán libres de defectos en los materiales y la mano de obra por un (1) año a partir de la fecha de compra. Si dentro de este período el producto presenta defectos, lleve una copia del recibo de venta como comprobante de la compra y el producto en su caja original al lugar donde lo compró. El fabricante, a su elección, reparará, reemplazará o devolverá el monto de la compra al comprador. Todos los costos de instalación y de extracción de la lámpara son de responsabilidad del comprador. Esta garantía no cubre lámparas dañadas debido al mal uso, daño accidental, manipulación y/o instalación inadecuada y excluye específicamente toda responsabilidad por daños directos, accidentales o resultantes. Debido a que algunos estados no permiten exclusiones o limitaciones en una garantía implícita, las exclusiones y limitaciones anteriores pueden no aplicarse en su caso. Esta garantía le otorga derechos específicos, pero podría tener también otros derechos que varían según el estado.

Impreso en China

Harbor Breeze® es una marca registrada de LF, LLC.  
Todos los derechos reservados.



Lowes.com/harborbreeze