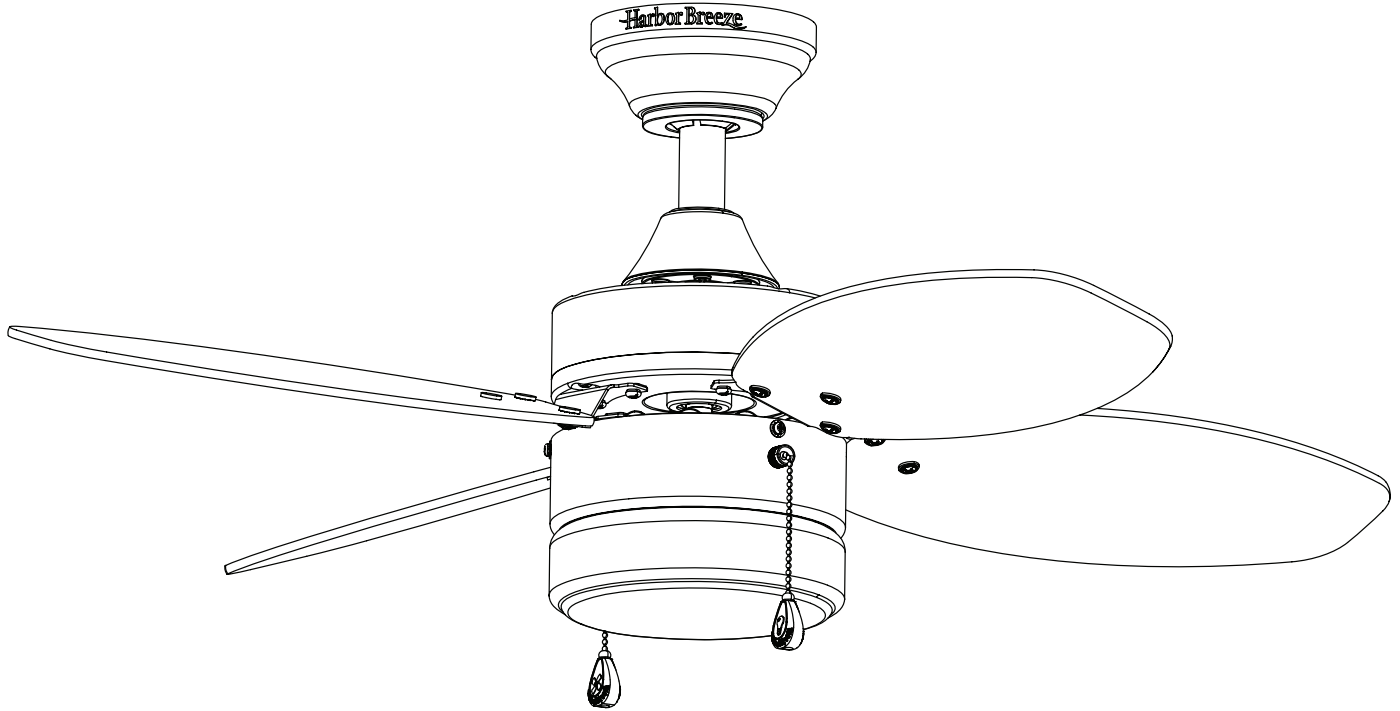




ITEM #0806201, 0806202, 0806203  
**RIVERVIEW CEILING FAN**  
MODEL #40661, 40662, 40663

Harbor Breeze® is a registered trademark of LF, LLC. All Rights Reserved.



**ATTACH YOUR RECEIPT HERE**

Purchase Date \_\_\_\_\_



**Questions, problems, missing parts?** Before returning to your retailer, call our customer service department at 1-800-643-0067, 8 a.m. - 6 p.m., EST, Monday - Thursday, 8 a.m. - 5 p.m., EST, Friday.



Lowes.com/harborbreeze

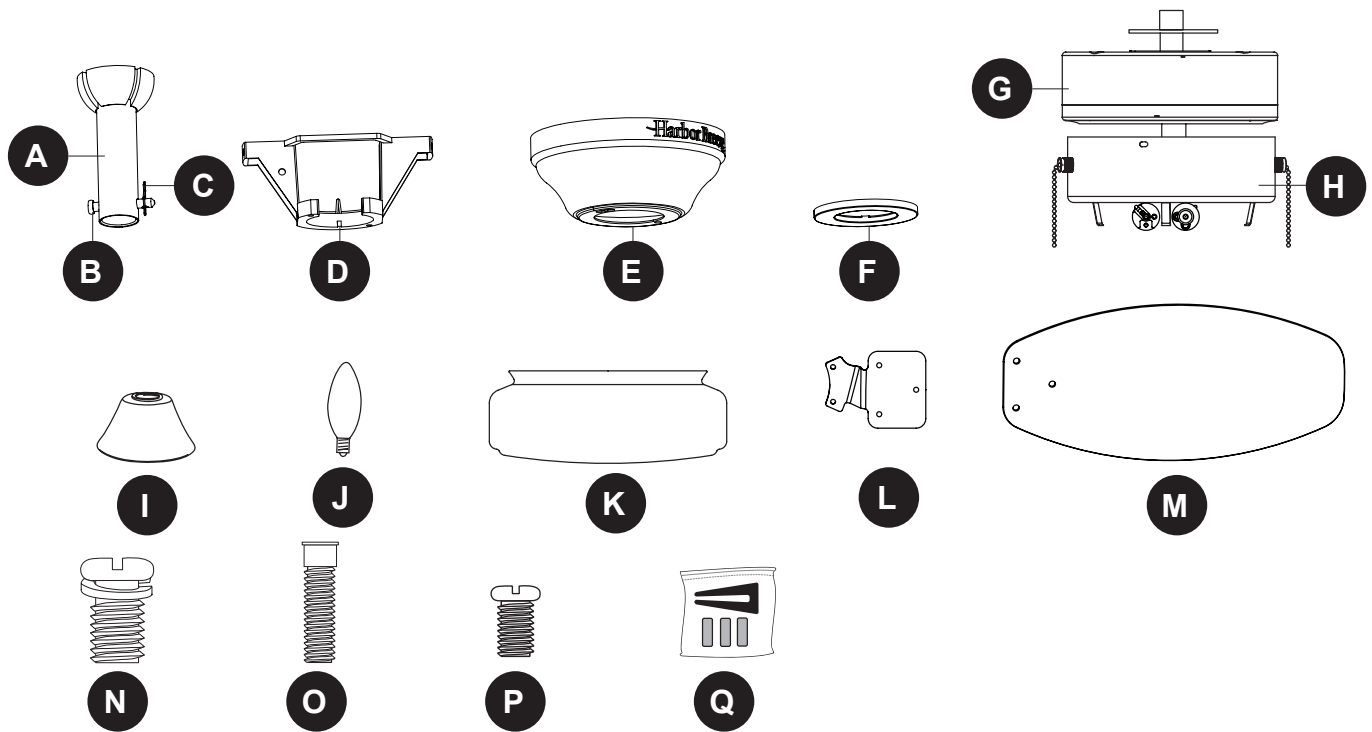
## TABLE OF CONTENTS

---

Package Contents . . . . .	3
Hardware Contents . . . . .	4
Safety Information . . . . .	5
Preparation . . . . .	6
Initial Installation . . . . .	7
Secondary Hanging System . . . . .	11
Wiring . . . . .	12
Final Installation. . . . .	13
Operating Instructions . . . . .	16
Care and Maintenance . . . . .	17
Troubleshooting. . . . .	17
Limited Lifetime Warranty . . . . .	19
Replacement Parts List . . . . .	20



## PACKAGE CONTENTS



PART	DESCRIPTION	QUANTITY
A	Downrod	1
B	Downrod Pin (preassembled to the Downrod [A])	1
C	Downrod Clip (preassembled to the Downrod [A])	1
D	Mounting Bracket	1
E	Canopy	1
F	Canopy Cover	1
G	Motor Assembly	1
H	Light Kit (preassembled to the Motor Assembly [G])	1
I	Yoke Cover	1
J	Bulb	2
K	Glass Bowl	1
L	Blade Arm	4
M	Blade	4
N	Motor Screw (preassembled to the Motor Assembly [G])	8 + 1 extra
O	Canopy Screw (preassembled to the Mounting Bracket [D])	2
P	Set Screw (preassembled to the Motor Assembly [G])	2
Q	Blade Balancing Kit	1

**HARDWARE CONTENTS** (shown actual size)

**AA**



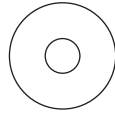
Wire Connector  
Qty. 3  
+ 1 extra

**BB**



Blade Screw  
Qty. 12  
+ 1 extra

**CC**



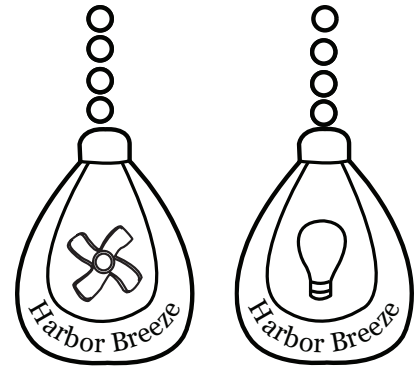
Blade Washer  
Qty. 12  
+ 1 extra

**DD**



Screw Cap  
Qty. 12  
+ 1 extra

**EE**



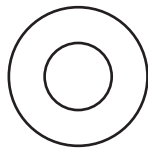
Pull Chain Extension  
Qty. 2

**FF**



Secondary  
Support Screw  
Qty. 1

**GG**



Support  
Washer  
Qty. 1

**HH**



Secondary  
Spring Washer  
Qty. 1



## SAFETY INFORMATION

---

Please read and understand this entire manual before attempting to assemble, operate or install the product.

- Before you begin installing the fan, disconnect the power by removing fuses or turning off the circuit breakers.
- Make sure all electrical connections comply with local codes, ordinances, the National Electrical Code and ANSI/NFPA 70-199. Hire a qualified electrician or consult a do-it-yourself wiring handbook if you are unfamiliar with installing electrical wiring.
- Make sure the installation site you choose allows a minimum clearance of 7 ft. from the blades to the floor and at least 30 in. from the end of the blades to any obstruction.
- The net weight of this fan is: 12.78 lbs.



**DANGER:** When using an existing outlet box, make sure the outlet box is securely attached to the building structure and can support the full weight of the fan. Failure to do this can result in serious injury or death. The stability of the outlet box is essential in minimizing wobble and noise in the fan after installation is complete.



**WARNING:** To avoid personal injury, the use of gloves may be necessary while handling fan parts with sharp edges.



**WARNING:** Using a full-range dimmer switch to control fan speed will cause a loud humming noise from the fan. To reduce the risk of fire or electric shock, do NOT use a full-range dimmer switch to control the fan speed.



**WARNING:** To reduce the risk of fire, electric shock or personal injury, mount the fan to an outlet box marked “ACCEPTABLE FOR FAN SUPPORT” and use the mounting screws provided with the outlet box. Most outlet boxes commonly used for the support of lighting fixtures are not acceptable for fan support and may need to be replaced. Consult a qualified electrician if in doubt. Secure the outlet box directly to the building structure. The outlet box and its support must be able to support the moving weight of the fan (at least 35 lbs.). Do NOT use a plastic outlet box.



**WARNING:** To reduce the risk of fire, electrical shock or personal injury, wire connectors provided with this fan are designed to accept only one 12-gauge house wire and two lead wires from the fan. If your house wire is larger than 12 gauges or there is more than one house wire to connect to the two fan lead wires, consult an electrician for the proper size wire connectors to use.



**WARNING:** To reduce the risk of fire or electric shock, do not use the fan with any solid-state speed-control device or control the fan speed with a full-range dimmer switch.



**WARNING:** To reduce the risk of fire, electric shock or personal injury, do not bend the blade arms when installing them, balancing the blades or cleaning the fan. Do not insert objects between the rotating fan blades.



**WARNING:** To reduce the risk of personal injury, use only parts provided with this fan. The use of parts OTHER than those provided with this fan will void the warranty.



## SAFETY INFORMATION

---

**CAUTION:** Be sure the outlet box is properly grounded or that a ground (green or bare) wire is present.

**CAUTION:** Carefully check all screws, bolts and nuts on the fan motor assembly to ensure they are secured.

## PREPARATION

---

Before beginning the assembly of this product, ensure that all parts are present. Compare all parts with the package contents list and hardware contents list. If any part is missing or damaged, do not attempt to assemble the product.

**Estimated Assembly Time:** 120 minutes

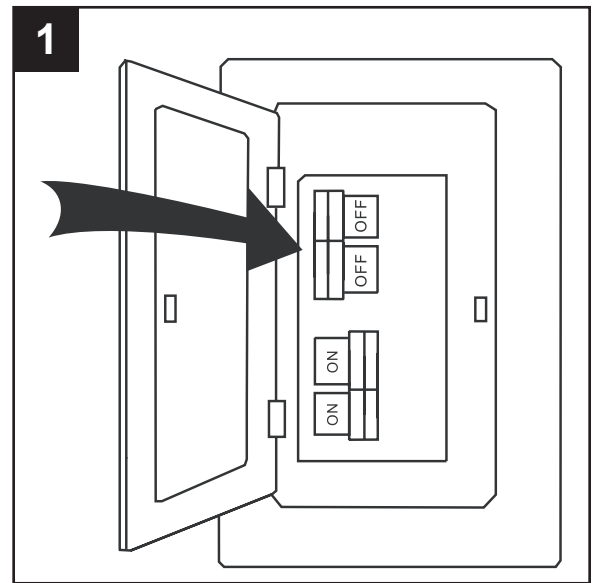
Tools Required for Assembly (not included): Electrical Tape, Phillips Screwdriver, Pliers, Safety Glasses, Step Ladder and Wire Strippers

Helpful Tools (not included): AC Tester Light, Tape Measure, Wiring Handbook and Wire Cutters

## INITIAL INSTALLATION

1. Turn off the circuit breakers and the wall switch to the fan supply line leads.

**⚠ DANGER:** Failure to disconnect the power supply prior to installation may result in serious injury or death.



2. Determine the mounting method to use.

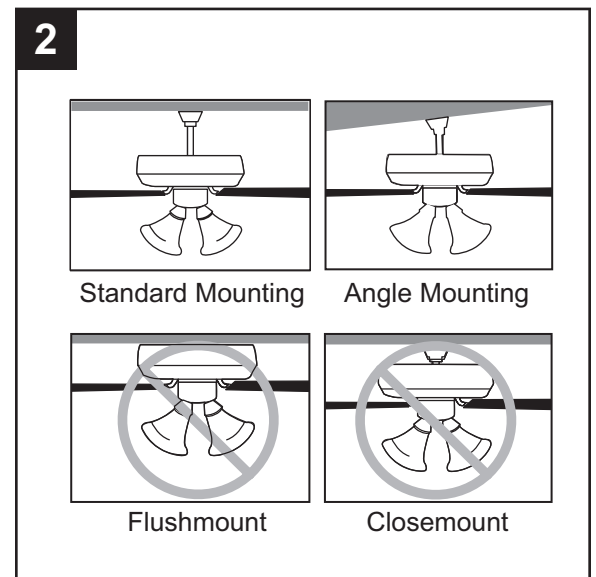
**Standard mounting** is best suited for ceilings 8 ft. or higher. For taller ceilings you may want to use a longer downrod (not included).

**Angle-style mounting** is best suited for angled or vaulted ceilings. A longer downrod is sometimes necessary to ensure proper blade clearance.

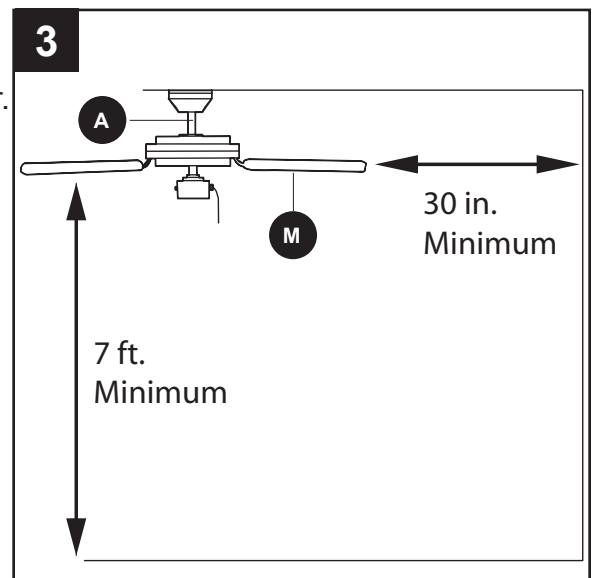
**Important:** If using the angle mount, check to ensure the ceiling angle is not steeper than 16°.

**Flushmount installation** is not available for this item.

**Closemount installation** is not available for this item.



3. Ensure the blades (M) will be at least 30 in. from any obstructions. Also check the downrod (A) length to ensure the blades (M) will be at least 7 ft. above the floor.

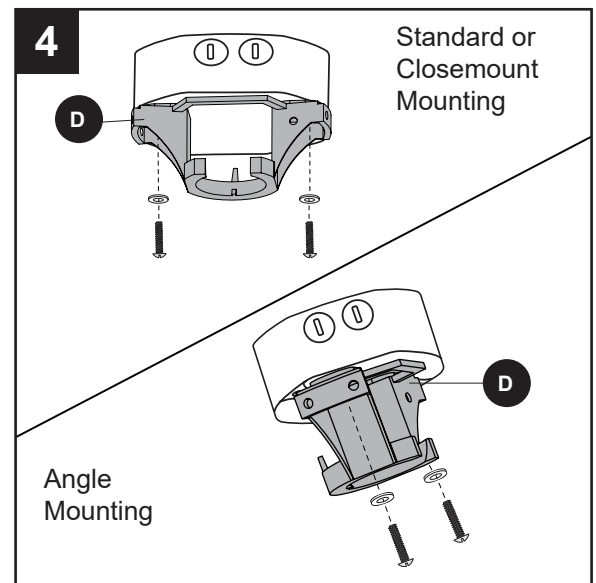


## INITIAL INSTALLATION

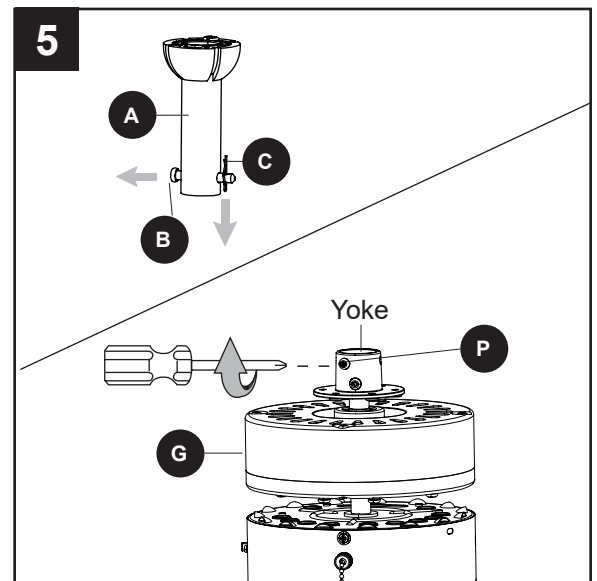
4. Attach mounting bracket (D) to outlet box (not included) using screws and washers provided with the outlet box.

**CAUTION:** It is very important to use the proper hardware when installing the mounting bracket (D) as this will support the fan.

**Important:** If using the angle mount, ensure the open end of the mounting bracket (D) is installed facing the higher point of the ceiling.



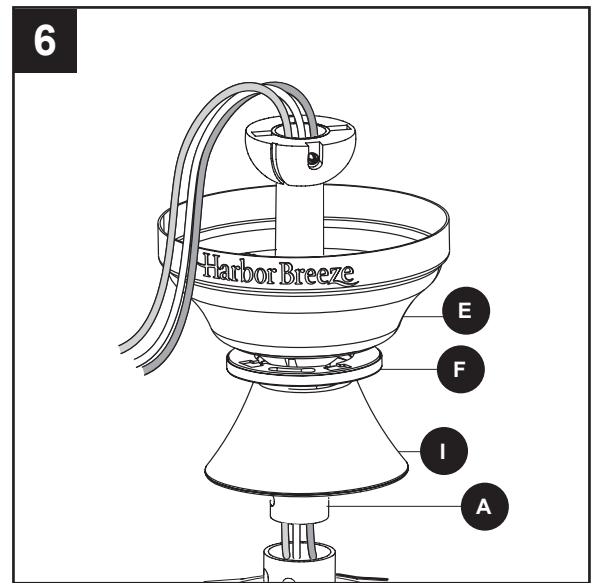
5. Remove the downrod clip (C) and downrod pin (B) from the downrod (A). Then partially loosen the set screws (P) in the yoke at the top of the motor assembly (G).



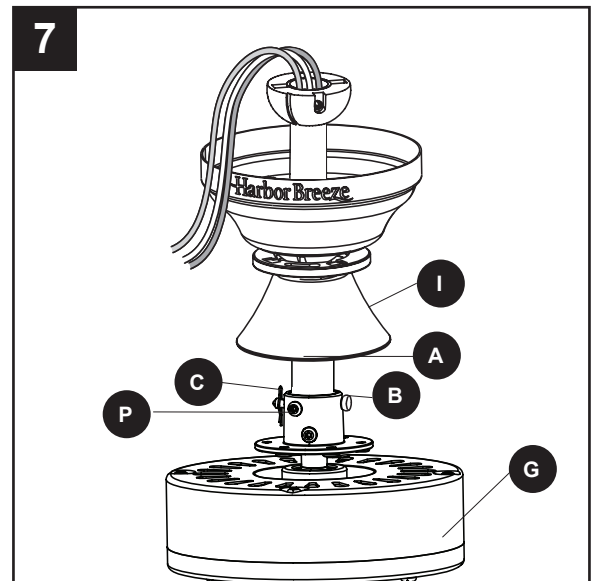


## INITIAL INSTALLATION

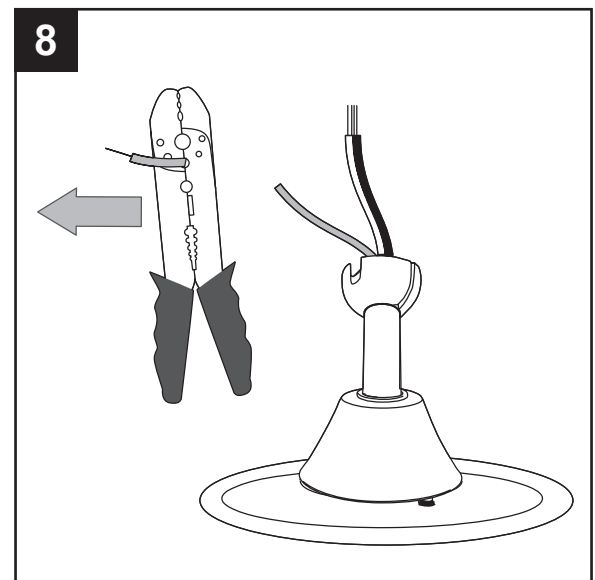
6. Insert the downrod (A) -- or a longer downrod, if required -- through the canopy (E), canopy cover (F) and yoke cover (I). Feed the wires and braided cable from the fan through the downrod (A).



7. Slide the downrod (A) into the yoke of the motor assembly (G), align the holes, then re-install the downrod pin (B) and downrod clip (C). Secure with set screws (P) and slide the yoke cover (I) down until it rests on top of the motor assembly (G).



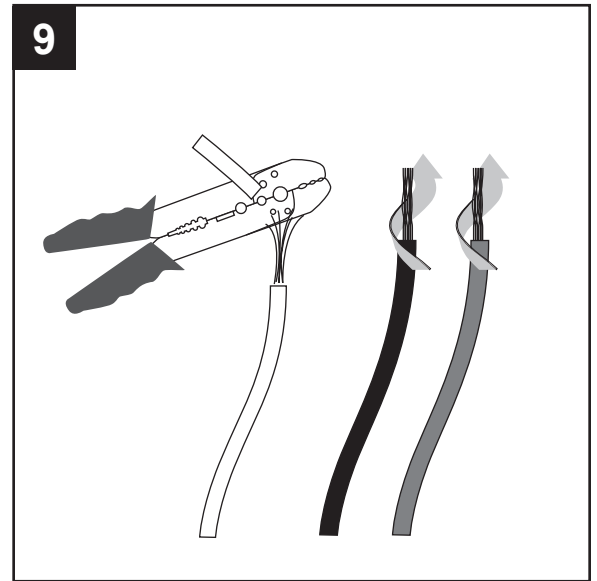
8. Depending on the length of downrod you use, you may need to cut the lead wires back to simplify the wiring. If you decide to cut back the lead wires, it is suggested you do so in the following manner: Take the lead wires and make sure you have pulled them all the way through the top of the downrod. Measure 8 inches of lead wire, then cut the excess wire off with wire cutters (not included).



## INITIAL INSTALLATION

9. If you decided to cut back the lead wire in Step 8, strip 1/2 in. of insulation from the end of the white wire. Twist the stripped ends of each strand of wire within the insulation with pliers (not included). Repeat the step for black and green wires.

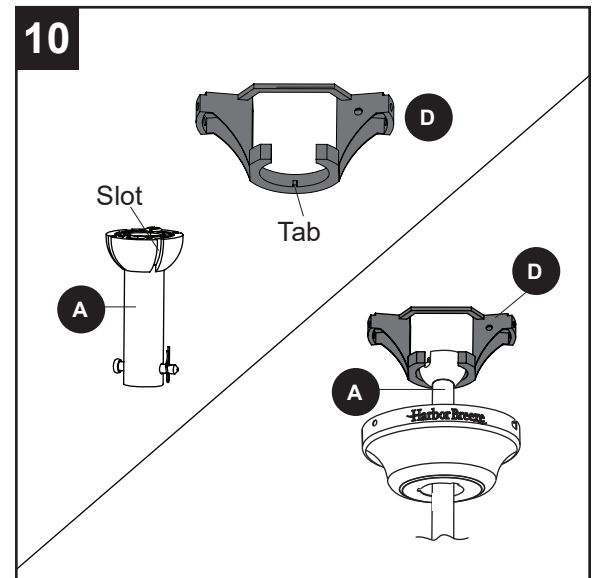
**Note:** If you did not cut back the lead wires in Step 8, Step 9 is not necessary and you may proceed to Step 10 instead.



10. Install the downrod (A) into the opening of the mounting bracket (D). Align one slot in the downrod (A) with the tab on the mounting bracket (D).

**Important:** The downrod (A) should not rotate in the mounting bracket (D) if installed properly.

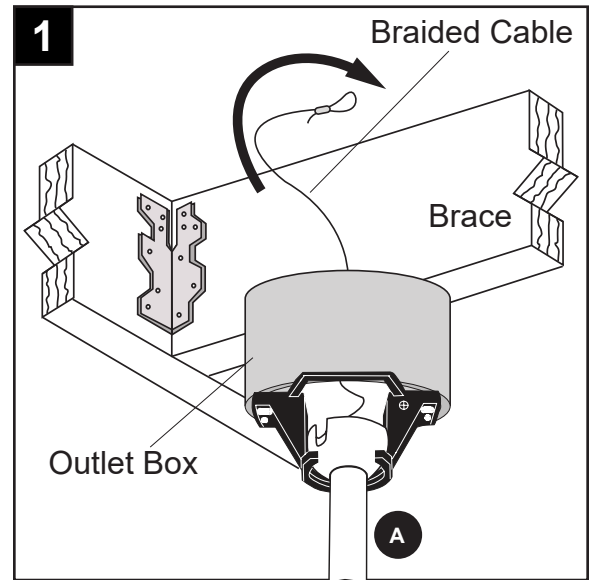
**!** **DANGER:** Failure to align the slot in the ball with the tab may cause the fan to wobble or fall, which could result in serious injury or death.



## SECONDARY HANGING SYSTEM

**⚠ WARNING:** Secondary support is required for this product. Failure to follow the steps below could result in property damage and/or personal injury.

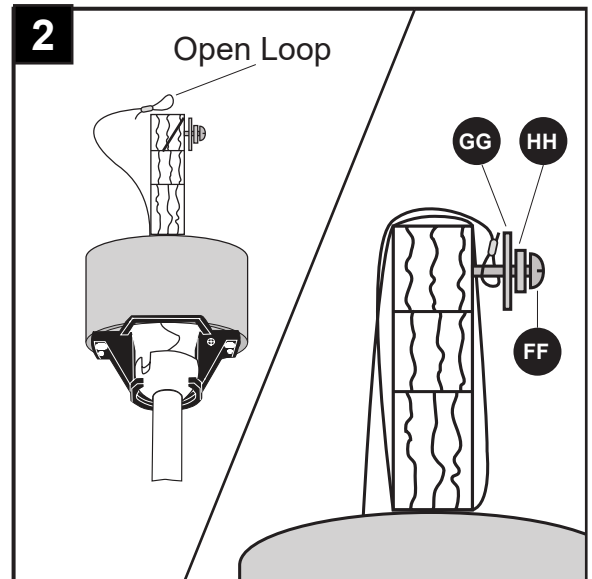
1. Feed the loop of the braided cable, preassembled to the motor assembly (G), up through the outlet box mounted in the ceiling.






2. Install secondary support screw (FF), secondary spring washer (HH) and support washer (GG) partly into the side of the brace installed in the ceiling. Then loop the braided cable up and over the ceiling brace and place the open loop of the braided cable around the secondary support screw (FF).

**Note:** The ceiling support brace may not be accessible from below. If not, it must be accessed from above.

**Important:** The braided cable must make a complete circle around the support brace to secure the fan.




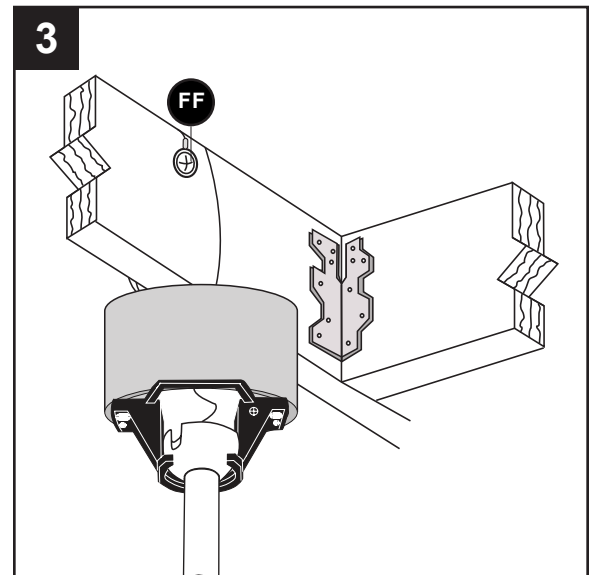
### Hardware Used

- |           |                         |   |     |
|-----------|-------------------------|---|-----|
| <b>FF</b> | Secondary Support Screw |  | x 1 |
| <b>GG</b> | Support Washer          |  | x 1 |
| <b>HH</b> | Secondary Spring Washer |  | x 1 |

3. Tighten the secondary support screw (FF), securing the braided cable.

### Hardware Used

- |           |                         |   |     |
|-----------|-------------------------|---|-----|
| <b>FF</b> | Secondary Support Screw |  | x 1 |
|-----------|-------------------------|---|-----|



## WIRING

**⚠ WARNING:** To reduce the risk of fire, electrical shock or personal injury, wire connectors provided with this fan are designed to accept only one 12-gauge house wire and two lead wires from the fan. If your house wire is larger than 12 gauges and there is more than one house wire to connect to the two fan lead wires, consult an electrician for the proper size wire connectors to use.

**CAUTION:** Be sure the outlet box is properly grounded or that a ground (green or bare) wire is present.

1. Connect household supply and fan wires according to the diagram and these steps:

- Connect the Green wire from the downrod (A) and mounting bracket (D) to the Bare/Green (ground) supply wire.
- Connect the White wire from the fan to the White (neutral) supply wire.
- Connect the Black and Blue wires from the fan to the Black (hot) supply wire.
- Secure all wiring connections together with wire connectors (AA).

**Important:** The Blue fan wire is power for the light. The Black wire is power for the fan. The White wire is common/neutral. The Green wire is the ground wire. If supply wires are different colors than referred to above, a professional electrician should determine proper wiring.

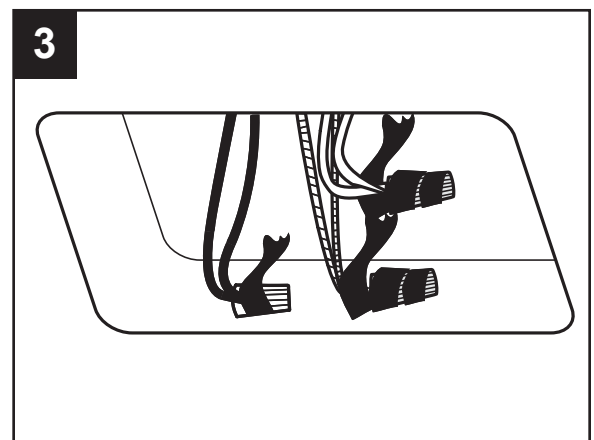
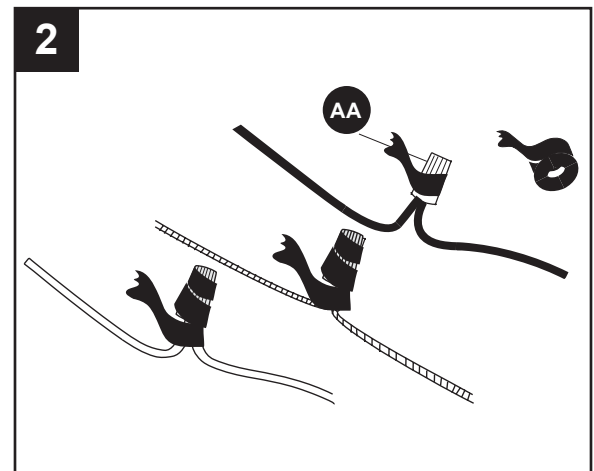
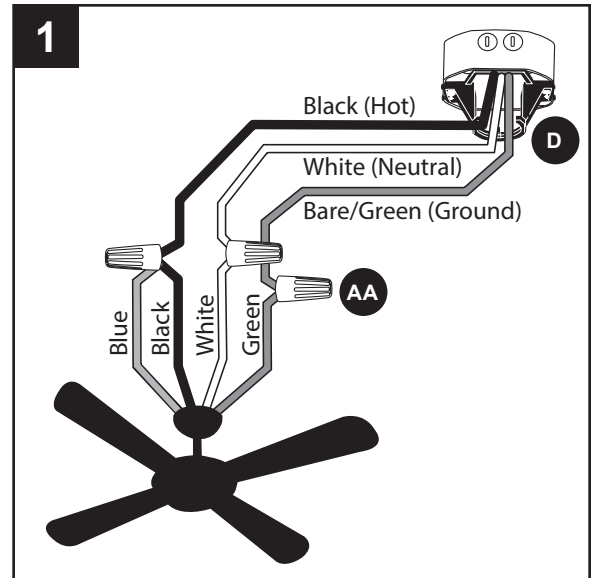
### Hardware Used

**AA** Wire Connector  x 3

2. Wrap electrical tape (not included) around wire connectors (AA) from remote pack down to the wire.

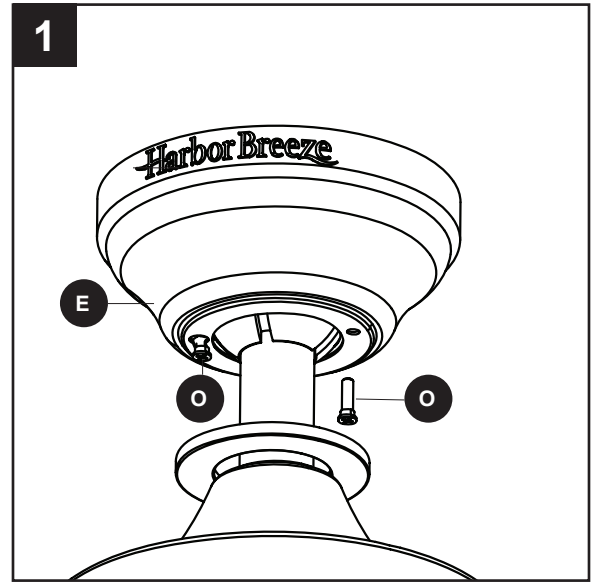
3. Turn the spliced/taped wires upward and gently push the wires and wire connectors into the outlet box.

**WARNING:** Ensure no bare wire strands are visible after making connections. Place Green and White wire connections on opposite sides of outlet box from the Black.

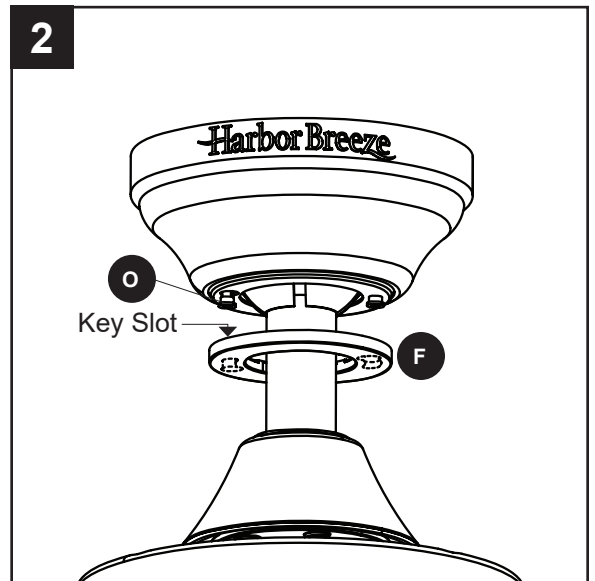


## FINAL INSTALLATION

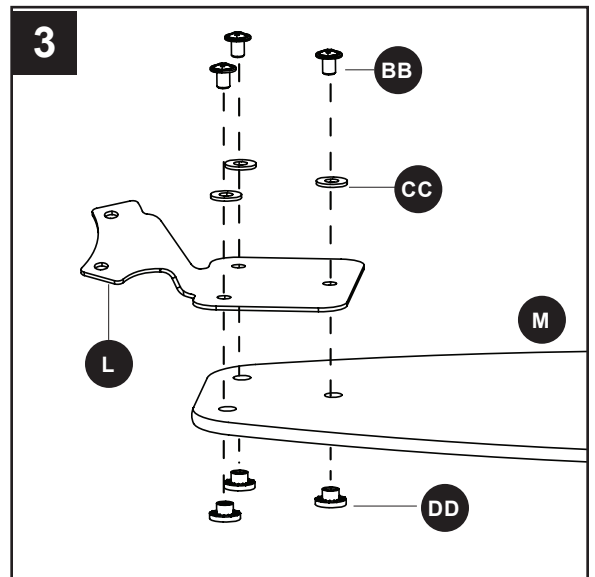
1. Remove the canopy screw (O) from the round screw hole in the bottom of the mounting bracket (D). Slide the key slot in the canopy (E) over the head of the canopy screw (O) preassembled to the mounting bracket (D). Twist the canopy (E) clockwise to lock, then re-install the canopy screw (O) into the mounting bracket (D).



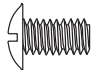
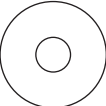

2. Slide the key slots in the canopy cover (F) over the heads of the canopy screws (O) preassembled to the mounting bracket (D). Twist the canopy cover (F) clockwise to lock.



3. Insert the blade screws (BB) along with the blade washers (CC) through the blade (M) and into the blade arm (L) and secure with a screw cap (DD). Repeat this step for the remaining blades (M) and blade arms (L).



### Hardware Used

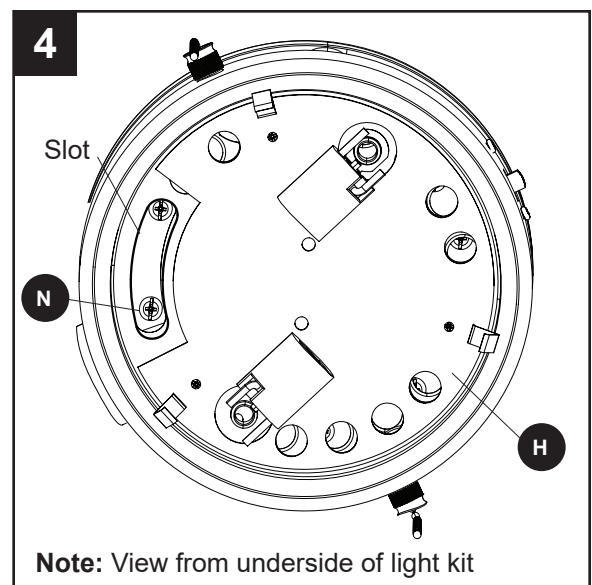
<b>BB</b>	Blade Screw		x 12
<b>CC</b>	Blade Washer		x 12
<b>DD</b>	Screw Cap		x 12

## FINAL INSTALLATION

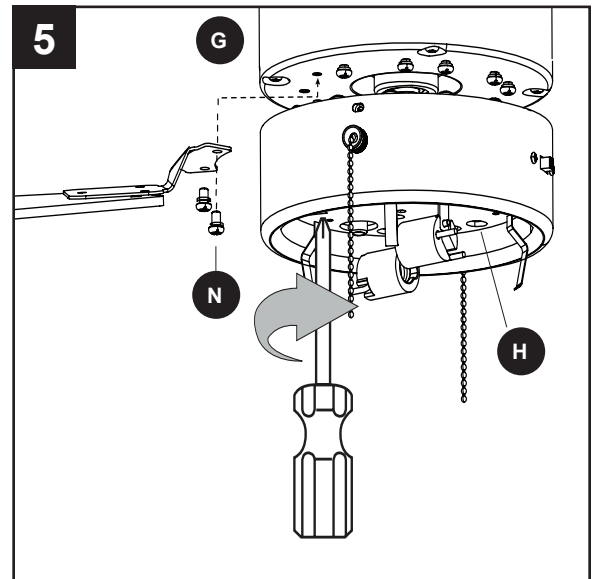
4. Remove the eight motor screws (N) from the bottom of the motor assembly (G) using a Phillips screwdriver (not included).

**Note:** A magnetic Phillips screwdriver (not included) might make this step easier.

**Note:** The slot in the light kit (H) allows access to the preassembled motor screws (N).

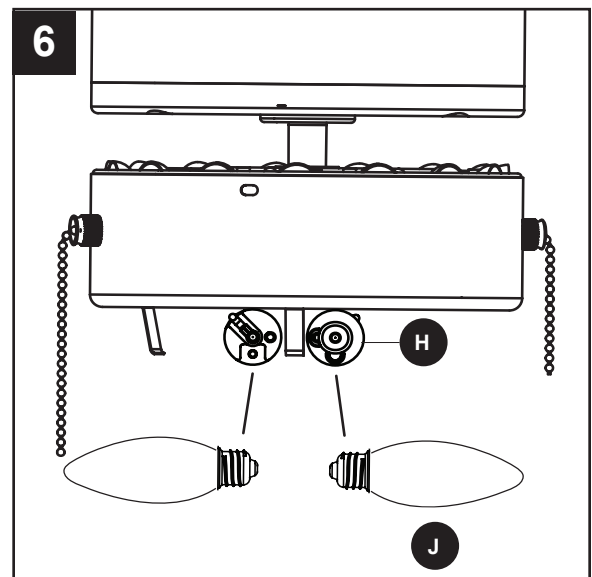


5. Attach a blade assembly to the underside of motor assembly (G) using previously removed motor screws (N). Completely secure each blade assembly before moving to the next.



6. Install the bulbs (J) into the sockets of the light kit (H).

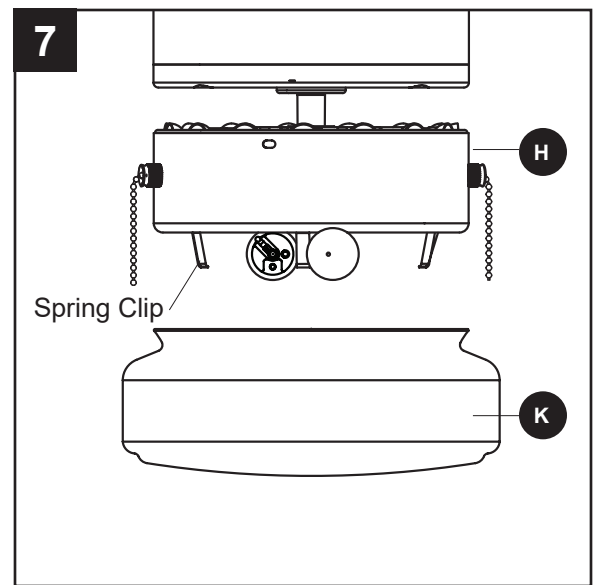
**Important:** Make sure to allow the bulbs to cool before you replace them.



## FINAL INSTALLATION

- Attach the glass bowl (K) by inserting the three spring clips inside the neck of the glass bowl (K) and firmly push the glass bowl (K) up until it is secured to the light kit (H).

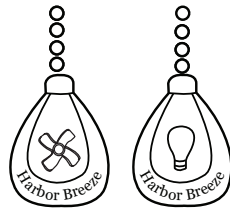
**Note:** The glass bowl (K) will snap into place once installed properly.



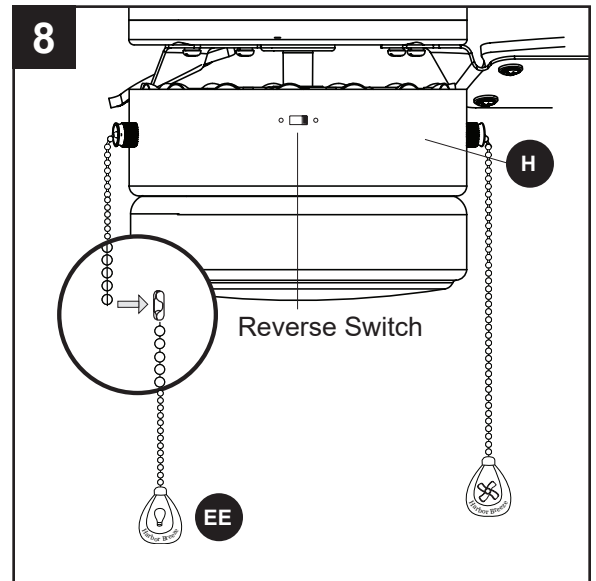
- Attach pull chain extensions (EE) to the pull chains.  
**Note:** When facing the reverse switch on the light kit (H), the fan pull chain is on the right and the light pull chain is on the left.

### Hardware Used

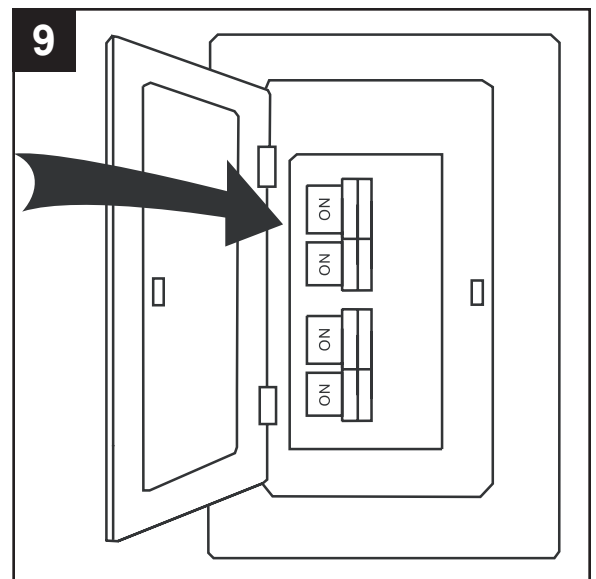
**EE** Pull Chain Extension



x 2

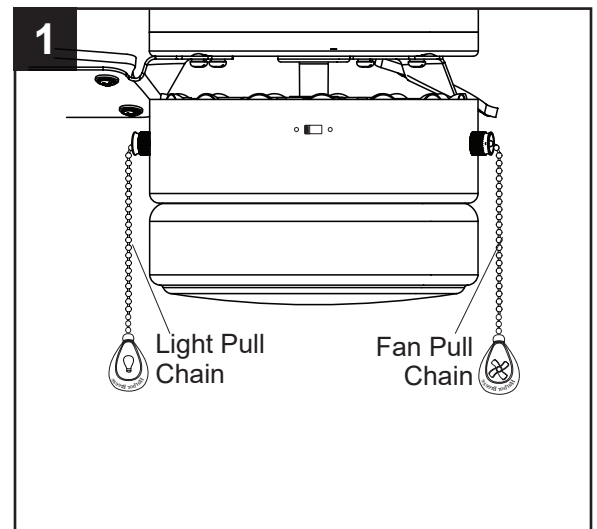


- Turn on the circuit breakers and the wall switch to the fan supply lead lines.



## OPERATING INSTRUCTIONS

1. The fan pull chain is located to the right of the reverse switch. It has four positions to control fan speed. One pull is HIGH, two is MEDIUM, three is LOW and four turns the fan OFF. The light pull chain is located to the left of the reverse switch. It turns the light ON and OFF.

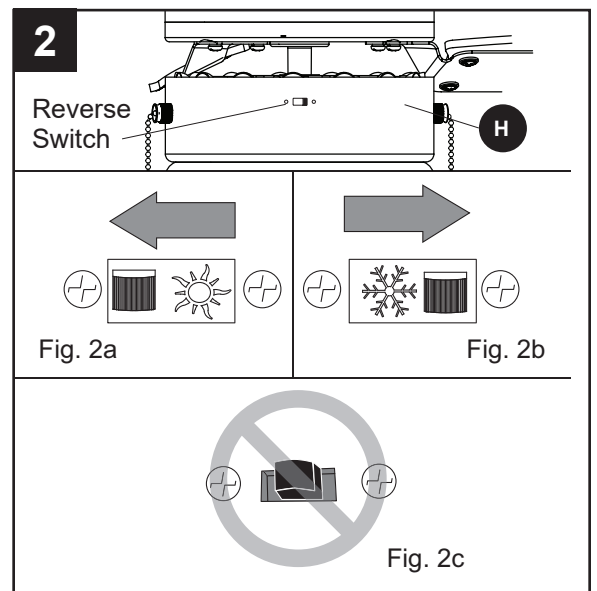


2. Use the reverse switch, located on the light kit (H) to optimize your fan for seasonal performance. Using a ceiling fan will allow you to raise your thermostat setting in summer and lower your thermostat setting in winter without feeling a difference in your comfort.

**In warmer weather**, push the reverse switch to the left to display a Sun icon, which will result in downward airflow creating a wind chill effect (Fig. 2a).

**In cooler weather**, push the reverse switch to the right to display a Snowflake icon, which will result in upward airflow that can help move stagnant, hot air off the ceiling area (Fig. 2b).

**Important:** Wait for the fan to stop before moving the reverse switch. The reverse switch must be set either completely left or right in order for the fan to function correctly. If the reverse switch is set in the middle position, the fan will not operate (Fig. 2c).





## CARE AND MAINTENANCE

At least twice each year, lower the canopy to check the downrod assembly, and then tighten all screws on the fan. Clean the motor housing with only a soft brush or lint-free cloth to avoid scratching the finish. Clean the blades with a lint-free cloth.

**Bulb Replacement:** Use 40-watt max. candelabra-base bulbs or CFL equivalent.

**Important:** Shut off the main power supply before you begin any maintenance tasks. Do not use water or a damp cloth to clean the ceiling fan.

## TROUBLESHOOTING

PROBLEM	POSSIBLE CAUSE	CORRECTIVE ACTION
The fan does not move.	<ol style="list-style-type: none"><li>1. The power is off or the fuse is blown.</li><li>2. There is a faulty wire connection.</li><li>3. The plugs are not connected properly.</li><li>4. The reverse switch is not completely engaged.</li></ol>	<ol style="list-style-type: none"><li>1. Turn the power on or check the fuse.</li><li>2. Turn the power off. Loosen the canopy and check all connections.</li><li>3. Check that the connectors from the light kit fitter and fan are connected properly.</li><li>4. Push the reverse switch completely to the left or right.</li></ol>
The fan is noisy.	<ol style="list-style-type: none"><li>1. The blades are loose.</li><li>2. There is a cracked blade.</li><li>3. The wall control is not compatible with the fan.</li><li>4. The outlet box is not secure.</li><li>5. The mounting bracket is not secure.</li></ol>	<ol style="list-style-type: none"><li>1. Check and tighten all screws that hold the fan blades to the blade arms and the motor.</li><li>2. Replace the cracked blade.</li><li>3. Do not use a full range dimmer switch to control the fan speed.</li><li>4. Ensure the outlet box is secured to the building structure.</li><li>5. Ensure the mounting bracket is secured to the outlet box and that the screws are tight.</li></ol>



## TROUBLESHOOTING

PROBLEM	POSSIBLE CAUSE	CORRECTIVE ACTION
There is excessive wobbling.	<ol style="list-style-type: none"> <li>1. The blades and/or blade arms are loose.</li> <li>2. The blades are unbalanced.</li> <li>3. The fan mounting is not secure.</li> <li>4. The fan is too close to the vaulted ceiling.</li> <li>5. The set screw on the motor housing yoke is loose.</li> </ol>	<ol style="list-style-type: none"> <li>1. Check and tighten all screws that hold the fan blades to the blade arms and the blade arms to the motor.</li> <li>2. Switch one blade with a blade from the opposite side. Or balance the fan using the blade balancing kit (Q).</li> <li>3. Turn off the power. Loosen the canopy and verify that the mounting bracket is secure to the electrical outlet box. The bracket must be flush without movement against the outlet box.</li> <li>4. Use a longer downrod (sold separately) or move the fan to another location.</li> <li>5. Lift up the yoke cover and tighten the set screw to the yoke until secure.</li> </ol>
The fan operates correctly, but the lights are not working.	<ol style="list-style-type: none"> <li>1. The bulbs are not installed correctly.</li> <li>2. There is a faulty wire connection.</li> <li>3. The total power of the light is exceeding 190W.</li> </ol>	<ol style="list-style-type: none"> <li>1. Re-install the bulb(s).</li> <li>2. Turn the power off and check all connections at the ceiling outlet box.</li> <li>3. The fan comes with a 190W limiter. When the total watts of the lights is over 190W, the lights do not work. Please replace the bulbs with lower wattage bulbs.</li> </ol>



## **LIFETIME LIMITED WARRANTY**

---

The manufacturer warrants this fan to be free from defects in workmanship and materials present at time of shipment from the factory for a lifetime from the date of purchase by the original purchaser. The retailer also warrants that all other fan parts, excluding any glass or plexiglass blades, to be free from defects in workmanship and material at the time of shipment from the factory for a period of one year after the date of purchase by the original purchaser. The manufacturer agrees to correct such defects without charge or at its option replace the ceiling fan with a comparable or superior model.

To obtain warranty service, present a copy of the receipt as proof of purchase. All costs of removing and reinstalling the product are your responsibility. Any damage to any part such as by accident or misuse or improper installation or by affixing any accessories, is not covered by this warranty. The manufacturer assumes no responsibility whatsoever for fan installation during the limited lifetime warranty. Any service performed by an unauthorized person will render the warranty invalid.

Due to varying climate conditions, this warranty does not cover any changes in brass finish, including rusting, pitting, corroding, tarnishing or peeling. Brass finishes of this type give their longest useful life when protected from varying weather conditions. Any glass provided with this fan is not covered by the warranty.

Any replacement of defective parts from the ceiling fan must be reported within the first year from the date of purchase. For the balance of the warranty, call our customer service department for return authorization and shipping instructions so that we may repair or replace the ceiling fan. Any fan or parts returned improperly is the sole responsibility of the purchaser. There is no other expressed warranty. The manufacturer disclaims any and all warranties. The duration of any implied warranty which cannot be disclaimed is limited to the time period as specified in the expressed warranty. The manufacturer shall not be liable for incidental, consequential, or special damages arising out of or in connection with product use or performance except as may otherwise be accorded by law. This warranty gives specific legal rights, and you may also have other rights which vary from state to state.

This warranty supersedes all prior warranties.

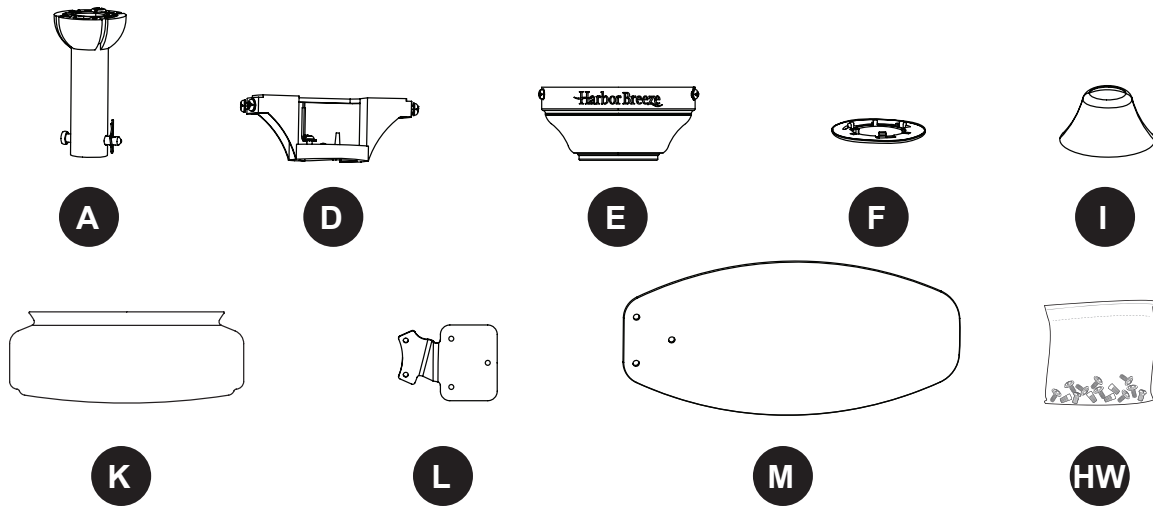
**Note:** A small amount of “wobble” is normal and should not be considered a defect.



## REPLACEMENT PARTS LIST

For replacement parts, call the customer service department at 1-800-643-0067, 8 a.m. - 6 p.m., EST, Monday - Thursday, 8 a.m. - 5 p.m., EST, Friday.

PART	DESCRIPTION	0806201 PART#	0806202 PART#	0806203 PART#
A	Downrod	0806201-A	0806202-A	0806203-A
D	Mounting Bracket	0806201-D	0806202-D	0806203-D
E	Canopy	0806201-E	0806202-E	0806203-E
F	Canopy Cover	0806201-F	0806202-F	0806203-F
I	Yoke Cover	0806201-I	0806202-I	0806203-I
K	Glass Bowl	0806201-K	0806202-K	0806203-K
L	Blade Arm	0806201-L	0806202-L	0806203-L
M	Blade	0806201-M	0806202-M	0806203-M
HW	Hardware Kit	0806201-HW	0806202-HW	0806203-HW



Printed in China

Harbor Breeze® is a registered trademark of LF, LLC. All Rights Reserved.

