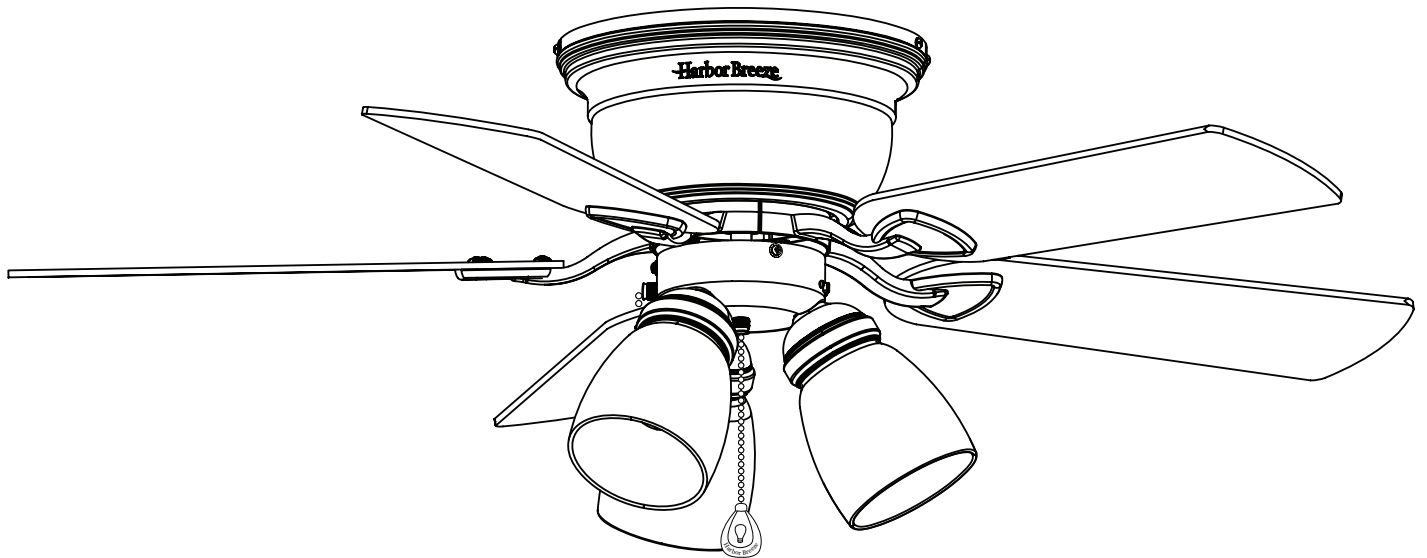




ITEM #0732082, 0807429, 0807432, 0807433
**42-INCH CENTREVILLE
 CEILING FAN**
 MODEL #41239, 40689, 40687, 40688

Harbor Breeze® is a registered trademark of LF, LLC. All Rights Reserved.

Español p. 18



ATTACH YOUR RECEIPT HERE



Purchase Date _____



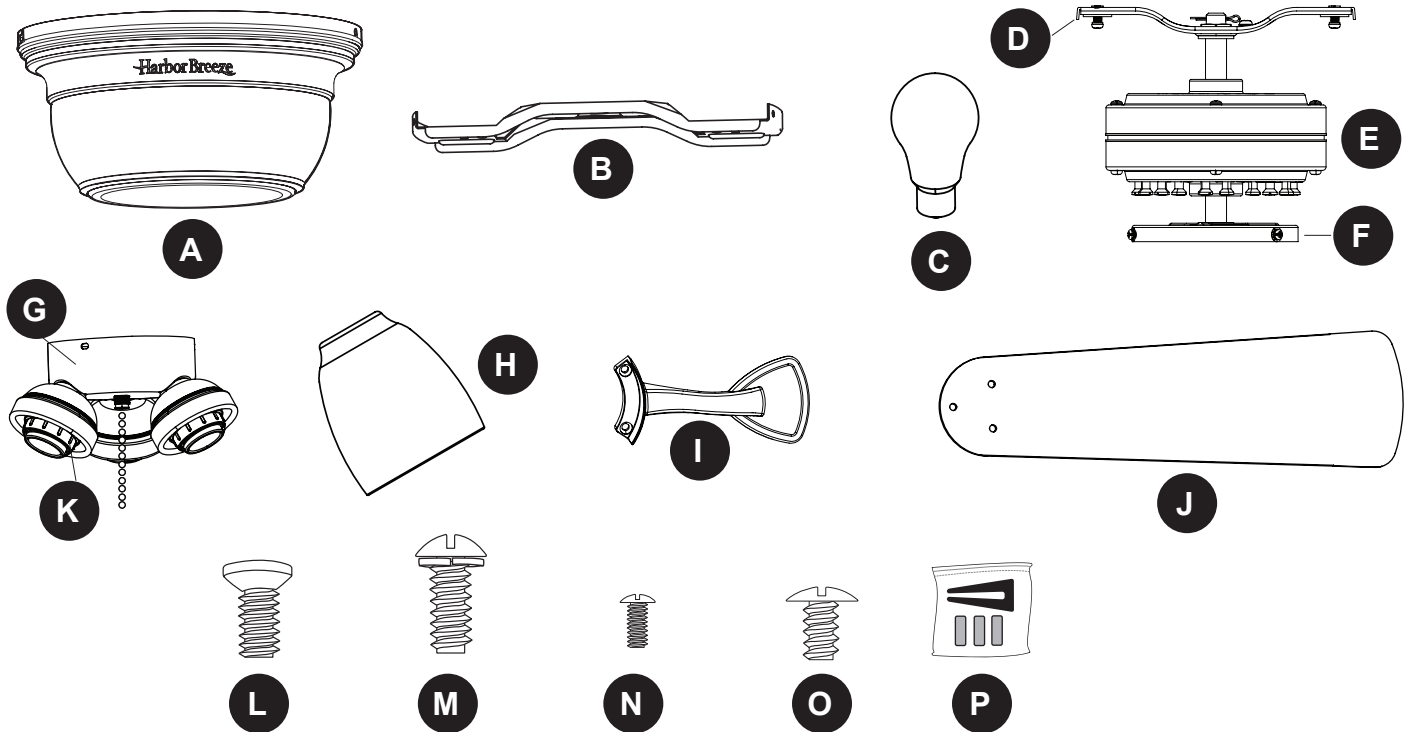
Questions, problems, missing parts? Before returning to your retailer, call our customer service department at 1-800-643-0067, 8 a.m. - 6 p.m., EST, Monday - Thursday, 8 a.m. - 5 p.m., EST, Friday.

EB16218

TABLE OF CONTENTS

Package Contents	3
Hardware Contents	4
Safety Information	5
Preparation	6
Initial Installation	6
Wiring	9
Final Installation.	10
Operating Instructions	14
Care and Maintenance	15
Troubleshooting.	15
Warranty	16
Replacement Parts List	17

PACKAGE CONTENTS



PART	DESCRIPTION	QUANTITY
A	Motor Housing	1
B	Upper Mounting Bracket	1
C	Bulb	3
D	Lower Mounting Bracket (preassembled to Motor [E])	1
E	Motor	1
F	Fitter Plate (preassembled to Motor [E])	1
G	Light Kit	1
H	Glass Shade	3
I	Blade Arm	5
J	Blade	5
K	Socket Ring (preassembled to Light Kit [G])	3
L	Motor Screw (preassembled to Motor [E])	10 + 1 extra
M	Lower Bracket Scew (preassembled to Lower Mounting Bracket [D])	4
N	Fitter Plate Screw (preassembled to Fitter Plate [F])	3
O	Motor Housing Screw (preassembled to Upper Mounting Bracket [B])	4
P	Blade Balancing Kit	1

HARDWARE CONTENTS (shown actual size)

AA



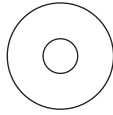
Wire Connector
Qty. 3
+ 1 extra

BB



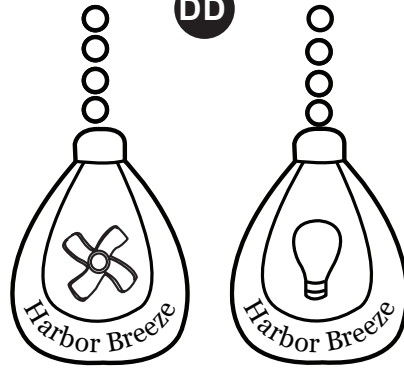
Blade Screw
Qty. 15
+ 1 extra

CC



Blade Washer
Qty. 15
+ 1 extra

DD



Pull Chain Extension
Qty. 2



SAFETY INFORMATION

Please read and understand this entire manual before attempting to assemble, operate or install the product.

- Before you begin installing the fan, disconnect the power by removing fuses or turning off the circuit breakers.
- Make sure all electrical connections comply with local codes, ordinances, the National Electrical Code and ANSI/NFPA 70-199. Hire a qualified electrician or consult a do-it-yourself wiring handbook if you are unfamiliar with installing electrical wiring.
- Make sure the installation site you choose allows a minimum clearance of 7 ft. from the blades to the floor and at least 30 in. from the end of the blades to any obstruction.
- The net weight of this fan is: 13.45 lbs.



DANGER: When using an existing outlet box, make sure the outlet box is securely attached to the building structure and can support the full weight of the fan. Failure to do this can result in serious injury or death. The stability of the outlet box is essential in minimizing wobble and noise in the fan after installation is complete.



WARNING: To avoid personal injury, the use of gloves may be necessary while handling fan parts with sharp edges.



WARNING: Using a full-range dimmer switch to control fan speed will cause a loud humming noise from the fan. To reduce the risk of fire or electric shock, do NOT use a full-range dimmer switch to control the fan speed.



WARNING: To reduce the risk of fire, electric shock or personal injury, mount the fan to an outlet box marked “ACCEPTABLE FOR FAN SUPPORT” and use the mounting screws provided with the outlet box. Most outlet boxes commonly used for the support of lighting fixtures are not acceptable for fan support and may need to be replaced. Consult a qualified electrician if in doubt. Secure the outlet box directly to the building structure. The outlet box and its support must be able to support the moving weight of the fan (at least 35 lbs.).



WARNING: To reduce the risk of fire, electrical shock or personal injury, wire connectors provided with this fan are designed to accept only one 12-gauge house wire and two lead wires from the fan. If your house wire is larger than 12-gauge and there is more than one house wire to connect to the two fan lead wires, consult an electrician for the proper size wire connectors to use.



WARNING: To reduce the risk of fire, electric shock or personal injury, do not bend the blade arms when installing them, balancing the blades or cleaning the fan. Do not insert objects between the rotating fan blades.



WARNING: To reduce the risk of personal injury, use only parts provided with this fan. The use of parts OTHER than those provided with this fan will void the warranty.

SAFETY INFORMATION

CAUTION: Read all instructions and safety information before installing your new fan. Review the accompanying assembly diagrams.

CAUTION: Be sure the outlet box is properly grounded or that a ground (green or bare) wire is present.

CAUTION: Carefully check all screws, bolts and nuts on the fan motor assembly to ensure they are secured.

CAUTION: This equipment has been tested and found to comply with the limits for a Class B digital device, pursuant to Part 15 of the FCC Rules. These limits are designed to provide reasonable protection against harmful interference in a residential installation. This equipment generates, uses and can radiate radio frequency energy and, if not installed and used in accordance with the instructions, may cause harmful interference to radio communications. However, there is no guarantee that interference will not occur in a particular installation. If this equipment does cause harmful interference to radio or television reception, which can be determined by turning the equipment off and on, the user is encouraged to try to correct the interference by one or more of the following measures:

--Reorient or relocate the receiving antenna.

--Increase the separation between the equipment and receiver

--Connect the equipment into and outlet on a circuit different from that to which the receiver is connected.

--Consult the dealer or an experienced radio/TV technician for help.

Please note changes or modifications not expressly approved by the party responsible for compliance could void the user's authority to operate the equipment.

PREPARATION

Before beginning the assembly of this product, ensure that all parts are present. Compare all parts with the package contents list and hardware contents list. If any part is missing or damaged, do not attempt to assemble the product.


Estimated Assembly Time: 120 minutes

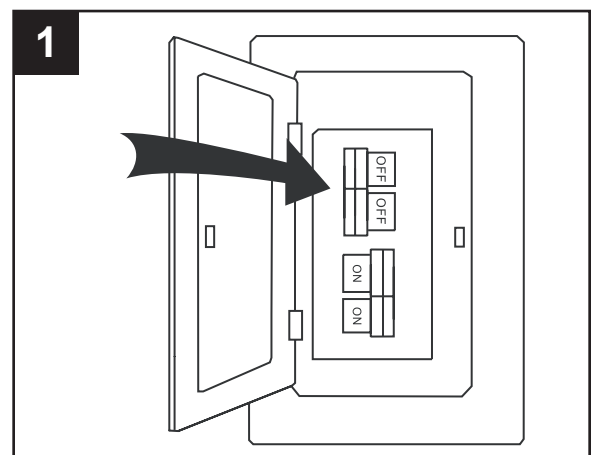
Tools Required for Assembly (not included): Electrical Tape, Phillips Screwdriver, Pliers, Safety Glasses, Step Ladder, Wire Cutters and Wire Strippers

Helpful Tools (not included): AC Tester Light, Tape Measure and Wiring Handbook

INITIAL INSTALLATION

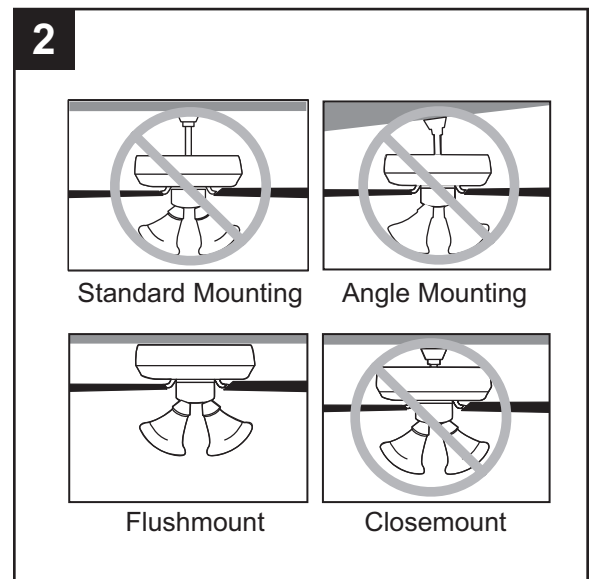
1. Turn off the circuit breakers and the wall switch to the fan supply line leads.

 **DANGER:** Failure to disconnect the power supply prior to installation may result in serious injury or death.

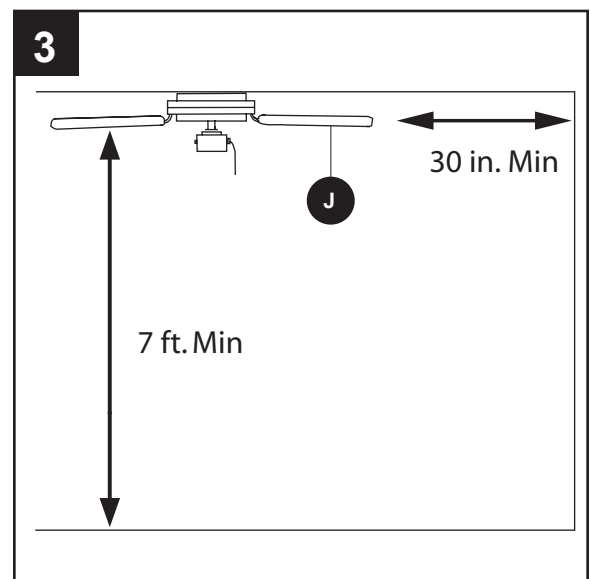


INITIAL INSTALLATION

2. This fan is intended for Flushmount installation.
Standard Mounting, Angle Mounting, and Closemount installations are not available.

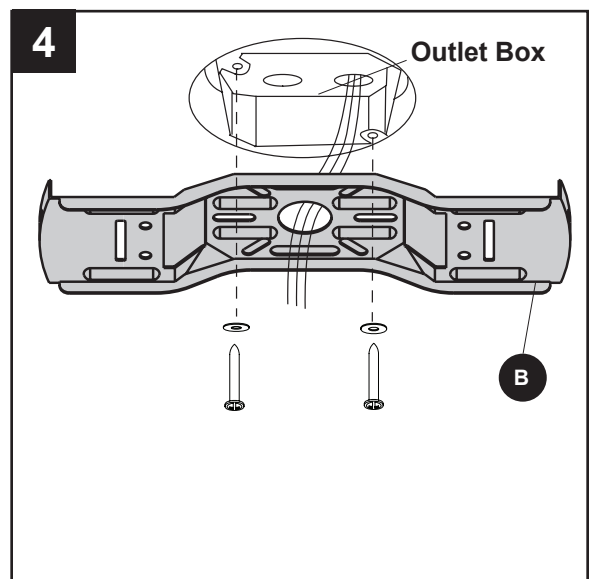


3. Ensure the blades (J) will be at least 30 in. from any obstructions and will be at least 7 ft. above the floor.



4. Secure the upper mounting bracket (B) to the outlet box (not included) using screws and washers provided with the outlet box.

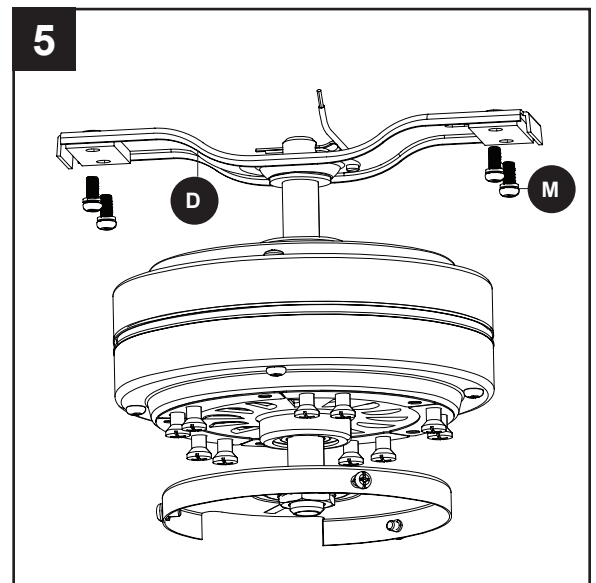
CAUTION: It is very important that you use the proper hardware when installing the upper mounting bracket (B) as it will support the fan.



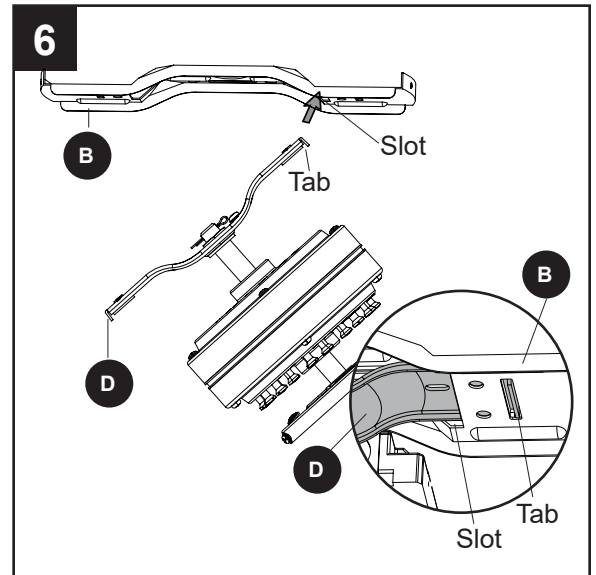
INITIAL INSTALLATION

5. Remove the lower bracket screws (M) from underneath the lower mounting bracket (D).

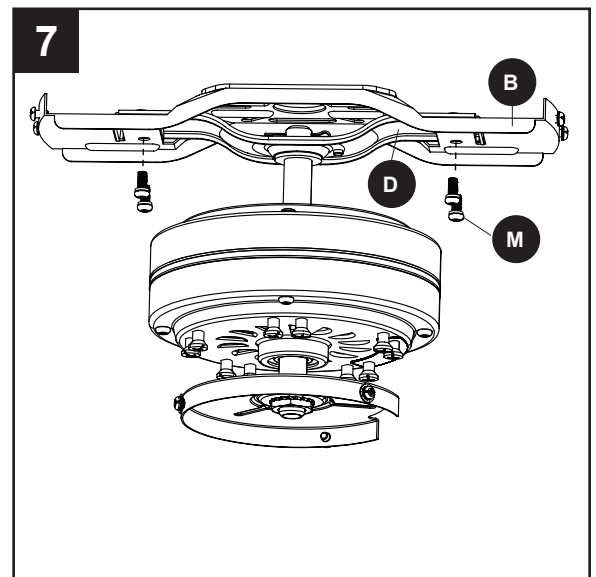
Note: Make sure to keep loose hardware separate to avoid confusion during installation.



6. Place one tab of the lower mounting bracket (D) into a slot in the upper mounting bracket (B). Then slide the second tab of the lower mounting bracket (D) into the second slot on the upper mounting bracket (B) until all four holes are in alignment.



7. Re-install the previously removed lower bracket screws (M) to secure the lower mounting bracket (D) and the upper mounting bracket (B).



WIRING

⚠ WARNING: To reduce the risk of fire, electrical shock or personal injury, wire connectors provided with this fan are designed to accept only one 12-gauge house wire and two lead wires from the fan. If your house wire is larger than 12-gauge and/or there is more than one house wire to connect to the two fan lead wires, consult an electrician for the proper size wire connectors to use.

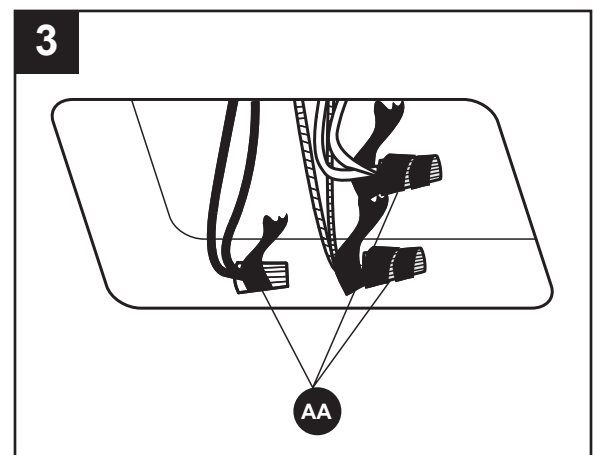
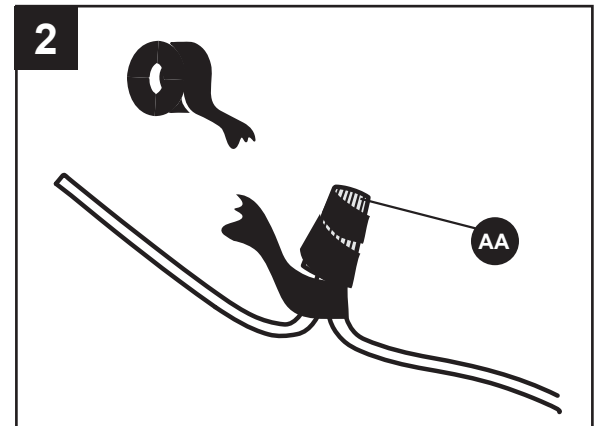
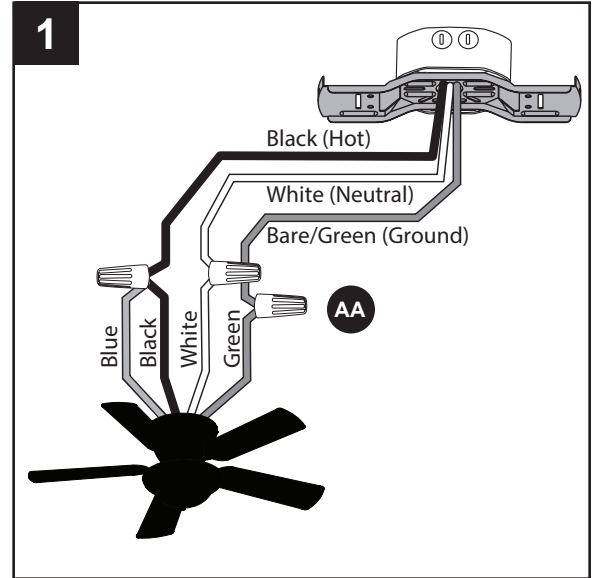
CAUTION: Be sure the outlet box is properly grounded or that a Ground (Green or Bare) wire is present.

1. Connect household supply and fan wires according to the diagram and these steps:

- Connect the Green wire from fan to the Bare/Green supply wire.
- Connect the White wire from the fan to the White supply wire.
- Connect the Black and Blue wires from the fan to the Black supply wire.
- Secure all wiring connections together with wire connectors (AA).

Note: If there is a second hot/power wire coming from the outlet box, connect it to the blue (light power) fan wire for separate light and fan control.

Note: The Black wire is hot power for the fan. The White wire is common for the fan and light kit. The Blue wire is hot power for light. The Green wire is the ground wire. If household supply wires are different colors than referred to above, it is recommended a professional electrician determines the proper wiring.



Hardware Used

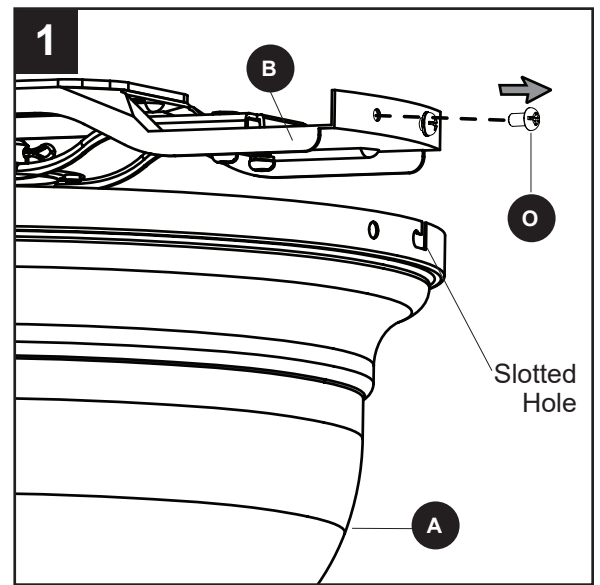
AA Wire Connector  x 3

2. Wrap electrical tape (not included) around each individual wire connector (AA) down to the wire.
3. Turn the spliced/taped wires upward and gently push the wires and wire connectors (AA) into the outlet box.

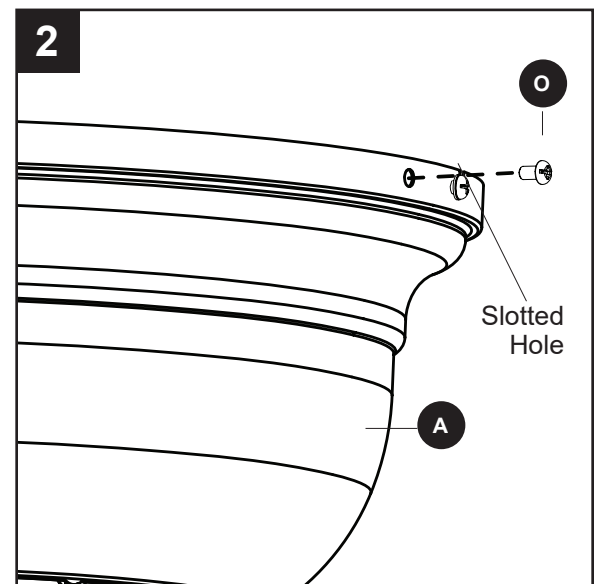
⚠ WARNING: Ensure no bare wire or wire strands are visible after making connections. Place the Green and White wire connections on the opposite side of the outlet box from the Black and Blue wire connections.

FINAL INSTALLATION

1. Temporarily lift the motor housing (A) to the upper mounting bracket (B) to determine which two motor housing screws (O) in the sides of the upper mounting bracket (B) align with the slotted holes in the top edge of the motor housing (A). Partially loosen the two motor housing screws (O) that align with the slotted holes. Remove the other two motor housing screws (O) from the upper mounting bracket (B).

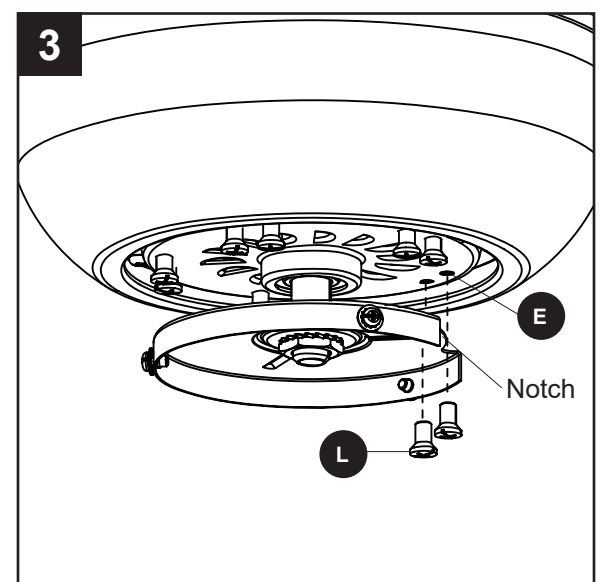


2. Slide the motor housing (A) over the motor (E), aligning the slotted holes in the motor housing (A) with the loosened motor housing screws (O) in the upper mounting bracket (B). Twist the motor housing (A) clockwise to lock. Then re-insert the two previously removed motor housing screws (O) and securely tighten all screws.



3. Remove the 10 motor screws (L) from the motor (E) and save for later use.

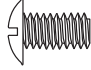
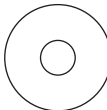
Note: The notch in the fitter plate allows a Phillips screwdriver (not included) access to motor screws (L).



FINAL INSTALLATION

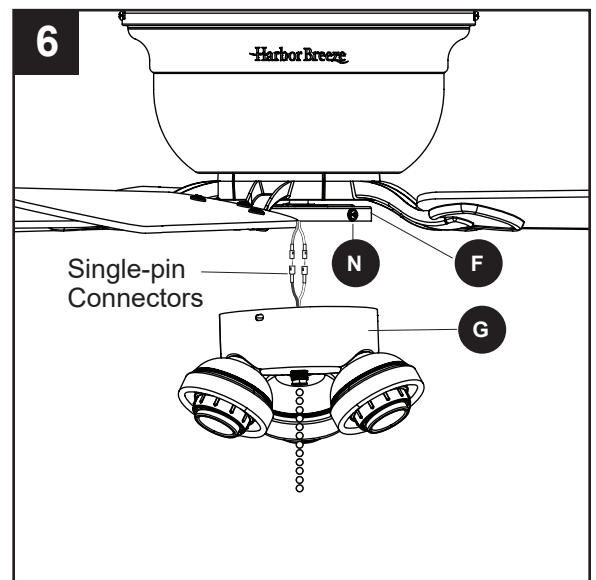
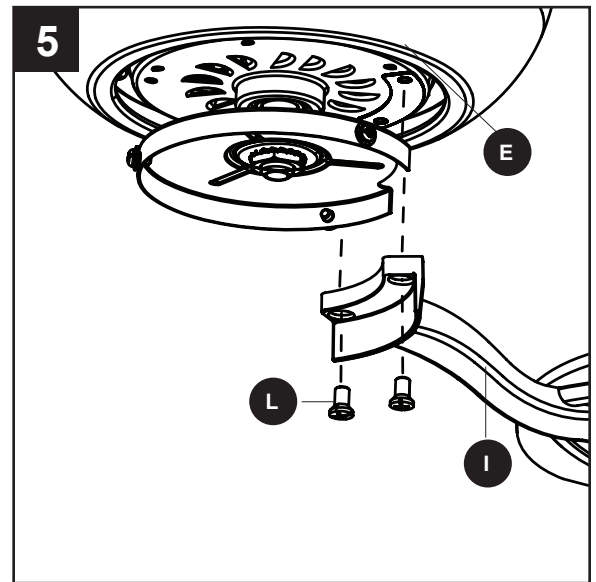
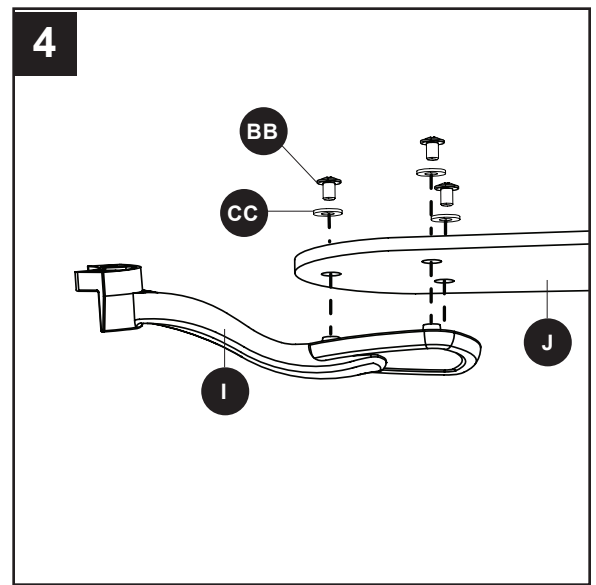
4. Partially insert the blade screws (BB) along with the blade washers (CC) through the blade (J) and into the blade arm (I). Tighten each blade screw (BB) with a Phillips screwdriver, starting with the one in the middle. Repeat this step for the remaining blades (J) and blade arms (I).

Hardware Used

BB	Blade Screw		x 15
CC	Blade Washer		x 15

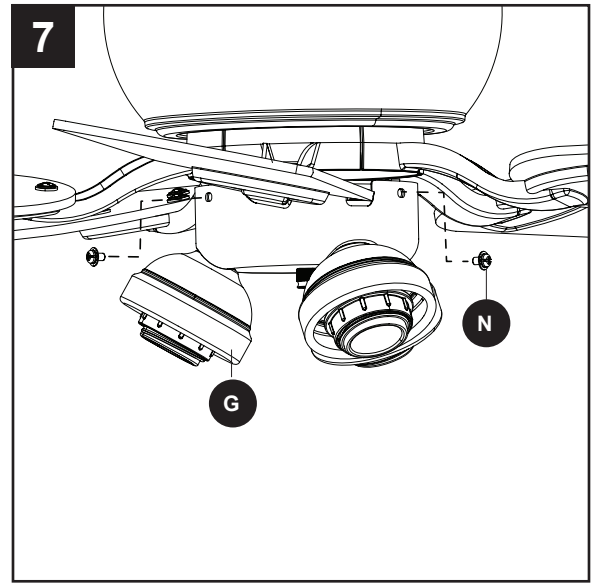
5. Install the blade arm (I) to the underside of the motor (E) with motor screws (L) previously removed (Step 3, page 10). Tighten with Phillips screwdriver. Repeat for each blade arm (I).

6. Remove the fitter plate screws (N) preassembled to the fitter plate (F). Then, connect the single-pin connectors from the fitter plate (F) and the light kit (G) -- blue to black and white to white.

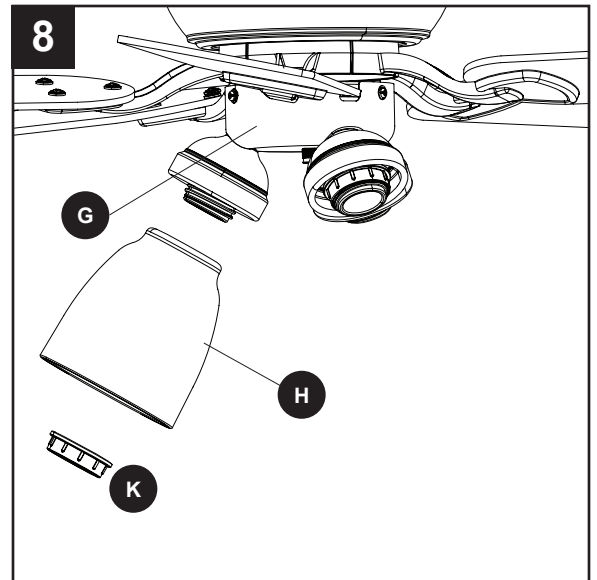


FINAL INSTALLATION

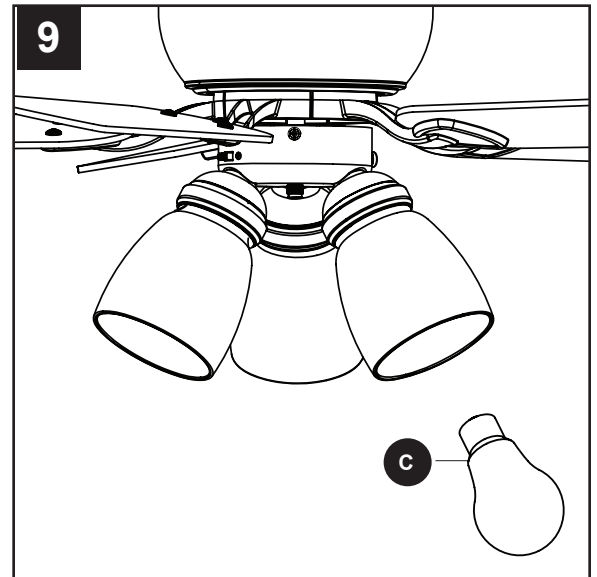
7. Secure the light kit (G) to the fitter plate (F) by reinstalling the fitter plate screws (N).



8. Unscrew the socket ring (K) from the socket of the light kit (G). Then lift the glass shade (H) into the light cup. Secure the glass shade (H) by reinstalling the socket ring (K).



9. Install bulbs (C) into the sockets of the light kit (G).

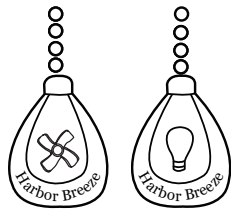


FINAL INSTALLATION

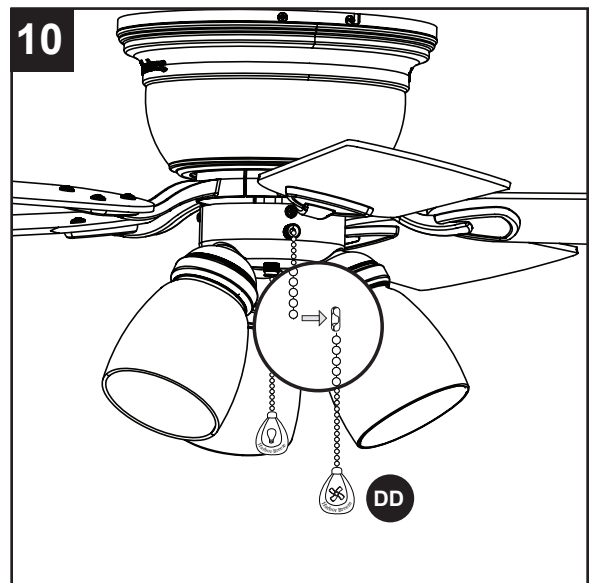
10. Attach the pull chain extensions (DD) or custom pull chain extensions (not included) to the fan and light pull chains (if applicable).

Hardware Used

DD Pull Chain Extension

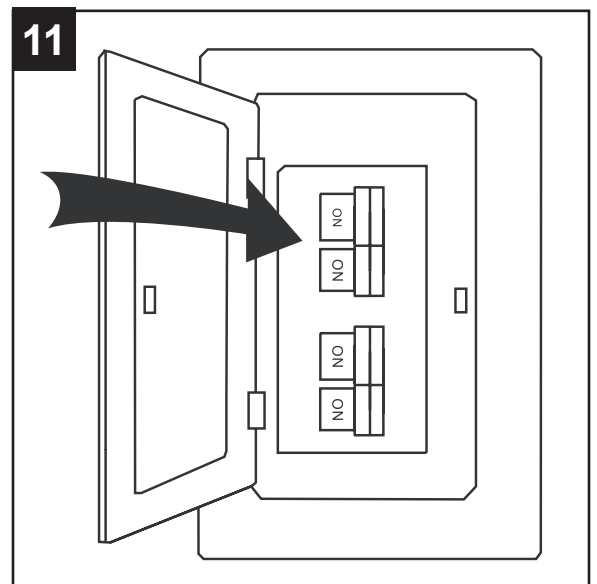


x 2



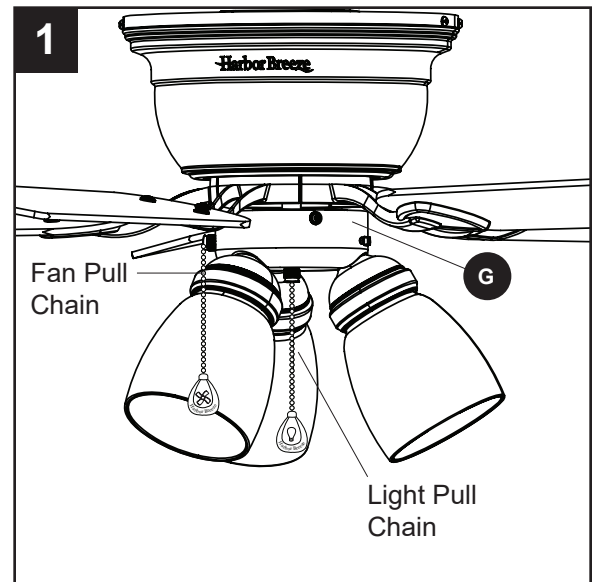
11. Turn on power supply to the fan.

Assembly is complete.



OPERATING INSTRUCTIONS

1. The pull chain has four positions to control the fan speed. One pull is HIGH, two is MEDIUM, three is LOW, and four turns the fan OFF. The pull chain in the center of the light kit (G) turns the lights ON and OFF.

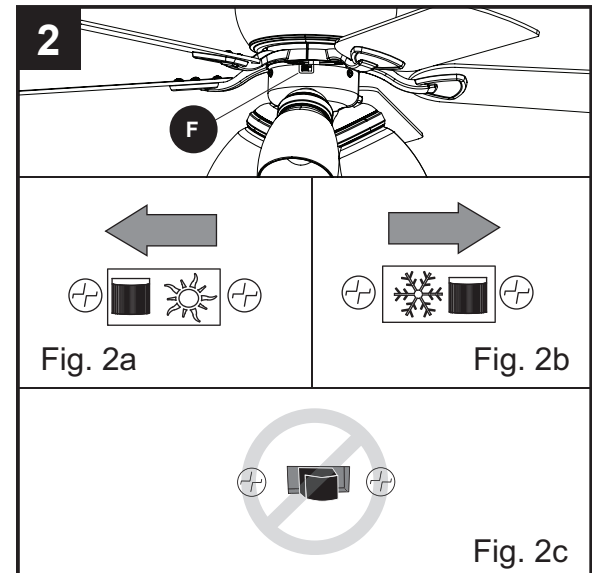


2. Using a ceiling fan will allow you to raise your thermostat setting in summer and lower your thermostat setting in winter without feeling a difference in your comfort. **Note:** Wait for the fan to stop before moving the reverse switch located on the fitter plate (F).

In warmer weather, push the reverse switch left to display a sun icon, which will result in downward airflow creating a wind chill effect (Fig. 2a).

In cooler weather, push the reverse switch right to display a snowflake icon, which will result in upward airflow that can help move hot air off the ceiling area (Fig. 2b).

Important: The reverse switch must be set either completely left or right in order for the fan to function correctly. If the reverse switch is set in the middle position, the fan will not operate (Fig. 2c).



CARE AND MAINTENANCE

At least twice each year, tighten all screws on the fan. Clean the motor housing with only a soft brush or lint-free cloth to avoid scratching the finish. Clean the blades with a lint-free cloth.

Bulb Replacement: Use 60-watt max. E26-base LED, CFL or incandescent bulbs. Halogen bulbs are not recommended for this item.

Important: Shut off the main power supply before you begin any maintenance tasks. Do not use water or a damp cloth to clean the ceiling fan.

TROUBLESHOOTING

PROBLEM	POSSIBLE CAUSE	CORRECTIVE ACTION
The fan does not move.	<ol style="list-style-type: none"> 1. The power is off or the fuse is blown. 2. There is a faulty wire connection. 3. The plugs are not connected properly. 4. The reverse switch is not completely engaged. 	<ol style="list-style-type: none"> 1. Turn the power on or check the fuse. 2. Turn the power off. Loosen the canopy and check all connections. 3. Check that the connectors from the light kit and fan are connected properly. 4. Push the reverse switch completely to the left or right.
There is excessive wobbling.	<ol style="list-style-type: none"> 1. The blades and/or blade are loose. 2. The blades are unbalanced. 3. The fan mounting is not secure. 	<ol style="list-style-type: none"> 1. Check and tighten all screws that hold the fan blades to the blade arms and the blade arms to the motor. 2. Switch one blade with a blade from the opposite side. Or balance the fan using the blade balancing kit (P). 3. Turn off the power. Loosen the motor housing and verify the upper mounting bracket is secure to the electrical outlet box. The bracket must be flush without movement against the outlet box.
The fan operates correctly, but the lights are not working.	<ol style="list-style-type: none"> 1. The bulbs are not installed correctly. 2. The light kit wire plugs are not connected properly. 3. There is a faulty wire connection. 	<ol style="list-style-type: none"> 1. Re-install the bulb(s). 2. Ensure the single-pin connectors in the light kit are connected properly. 3. Turn the power off and check all connections at the ceiling outlet box.

TROUBLESHOOTING

PROBLEM	POSSIBLE CAUSE	CORRECTIVE ACTION
The fan is noisy.	<ol style="list-style-type: none">1. The blades are loose.2. There is a cracked blade.3. Wall control is not compatible with the fan.4. The outlet box is not secure.5. The mounting bracket is not secure.	<ol style="list-style-type: none">1. Check and tighten all screws that hold the fan blades to the blade arms and the motor.2. Replace the cracked blade.3. Do not use a full range dimmer switch to control the fan speed.4. Ensure the outlet box is secured to the building structure.5. Ensure the mounting bracket is secured to the outlet box and that the screws are tight.

LIFETIME LIMITED WARRANTY

The manufacturer warrants this fan to be free from defects in workmanship and materials present at time of shipment from the factory for a lifetime from the date of purchase by the original purchaser. The retailer also warrants that all other fan parts, excluding any glass or plastic blades, to be free from defects in workmanship and material at the time of shipment from the factory for a period of one year after the date of purchase by the original purchaser. The manufacturer agrees to correct such defects without charge or at its option replace the ceiling fan with a comparable or superior model.

To obtain warranty service, present a copy of the receipt as proof of purchase. All costs of removing and reinstalling the product are your responsibility. Any damage to any part such as by accident or misuse or improper installation or by affixing any accessories, is not covered by this warranty. The manufacturer assumes no responsibility whatsoever for fan installation during the limited lifetime warranty. Any service performed by an unauthorized person will render the warranty invalid.

Due to varying climate conditions, this warranty does not cover any changes in brass finish, including rusting, pitting, corroding, tarnishing or peeling. Brass finishes of this type give their longest useful life when protected from varying weather conditions. Any glass provided with this fan is not covered by the warranty.

Any replacement of defective parts from the ceiling fan must be reported within the first year from the date of purchase. For the balance of the warranty, call our customer service department for return authorization and shipping instructions so that we may repair or replace the ceiling fan. Any fan or parts returned improperly is the sole responsibility of the purchaser. There is no other expressed warranty. The manufacturer disclaims any and all warranties. The duration of any implied warranty which cannot be disclaimed is limited to the time period as specified in the expressed warranty. The manufacturer shall not be liable for incidental, consequential, or special damages arising out of or in connection with product use or performance except as may otherwise be accorded by law. This warranty gives specific legal rights, and you may also have other rights which vary from state to state.

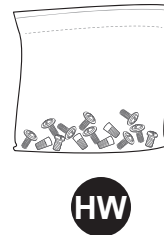
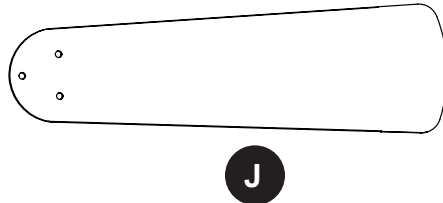
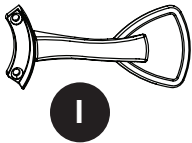
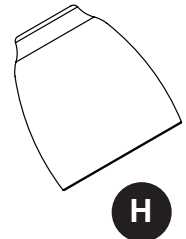
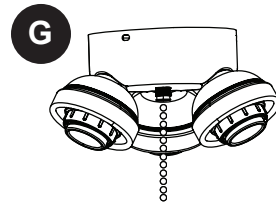
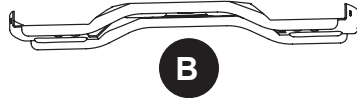
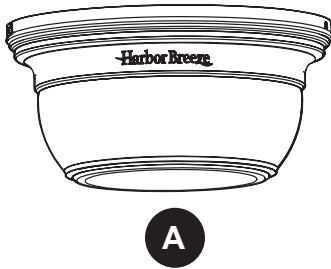
This warranty supersedes all prior warranties.

Note: A small amount of “wobble” is normal and should not be considered a defect.

REPLACEMENT PARTS LIST

For replacement parts, call the customer service department at 1-800-643-0067, 8 a.m. - 6 p.m., EST, Monday - Thursday, 8 a.m. - 5 p.m., EST, Friday.

PART	DESCRIPTION	#0732082 PART#	#0807429 PART#	#0807432 PART#	#0807433 PART#
A	Motor Housing	0732082-A	0807429-A	0807432-A	0807433-A
B	Upper Mounting Bracket	0732082-B	0807429-B	0807432-B	0807433-B
G	Light Kit	0732082-G	0807429-G	0807432-G	0807433-G
H	Glass Shade	0732082-H	0807429-H	0807432-H	0807433-H
I	Blade Arm	0732082-I	0807429-I	0807432-I	0807433-I
J	Blade	0732082-J	0807429-J	0807432-J	0807433-J
HW	Hardware Kit	0732082-HW	0807429-HW	0807432-HW	0807433-HW



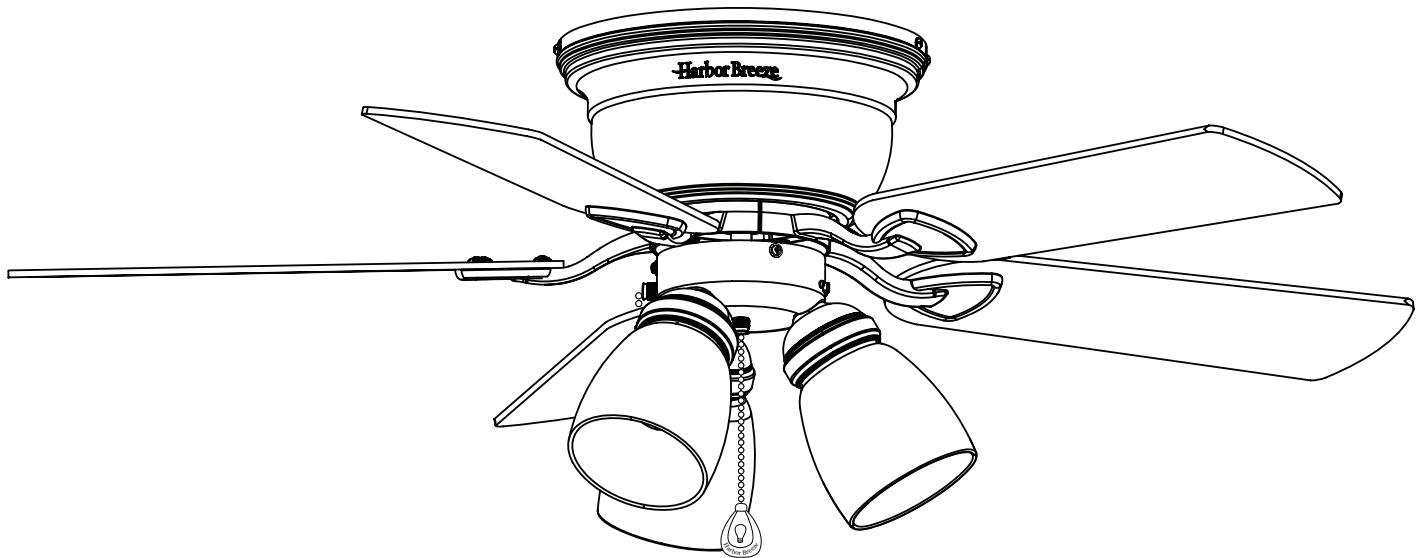


ARTÍCULO #0732082, 0807429, 0807432, 0807433

VENTILADOR DE TECHO CENTREVILLE DE 106,68 CM

MODELO #41239, 40689, 40687, 40688

Harbor Breeze® es una marca registrada de LF, LLC.
Todos los derechos reservados.



ADJUNTE SU RECIBO AQUÍ

Fecha de compra _____

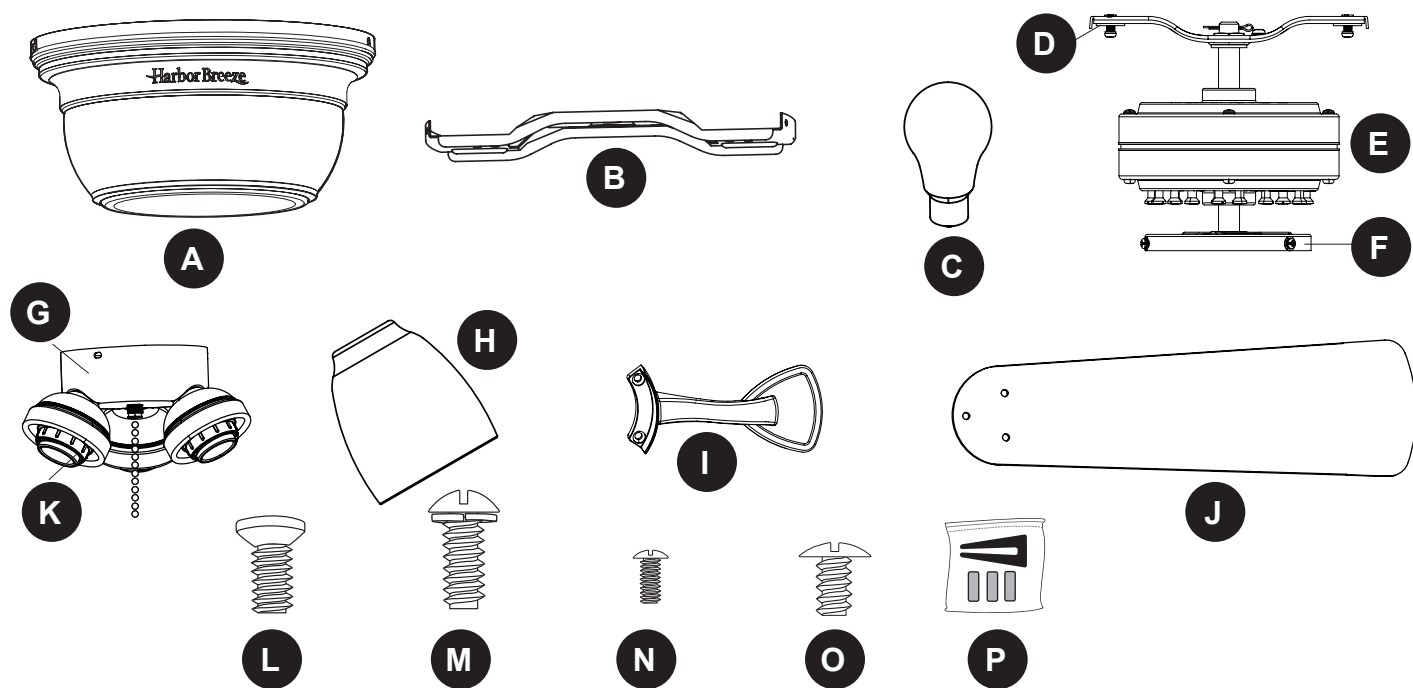


¿Preguntas, problemas, piezas faltantes? Antes de volver a la tienda, llame a nuestro Departamento de Servicio al Cliente al 1-800-643-0067, de lunes a jueves de 8 a.m. a 6 p.m., y los viernes de 8 a.m. a 5 p.m., hora estándar del Este.

ÍNDICE

Contenido del paquete	20
Aditamentos.	21
Información de seguridad	22
Preparación	23
Instalación inicial	23
Cableado	26
Instalación final	27
Instrucciones de funcionamiento	31
Cuidado y mantenimiento	32
Solución de problemas	32
Garantía limitada de por vida	34
Lista de piezas de repuesto.	35

CONTENIDO DEL PAQUETE



PIEZA	DESCRIPCIÓN	CANTIDAD
A	Carcasa del motor	1
B	Abrazadera de montaje superior	1
C	Bombilla	3
D	Abrazadera inferior de montaje (preensamblada al motor [E])	1
E	Motor	1
F	Placa de soporte (preensamblada al motor [E])	1
G	Kit de iluminación	1
H	Pantalla de vidrio	3
I	Brazo del aspa	5
J	Aspa	5
K	Anillo del portalámpara (preensamblado en el kit de iluminación [G])	3
L	Tornillo del motor (preensamblada al motor [E])	10 y 1 adicional
M	Tornillo de abrazadera de montaje (preensamblada en abrazadera inferior de montaje [D])	4
N	Tornillo de placa de soporte (preensamblado en la placa de soporte [F])	3
O	Tornillo de la carcasa del motor (preensamblado en la abrazadera de montaje superior [B])	4
P	Kit de equilibrio	1

ADITAMENTOS (se muestran en tamaño real)

AA



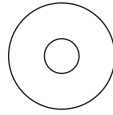
Conector de cables
Cant. 3 + 1
adicional

BB



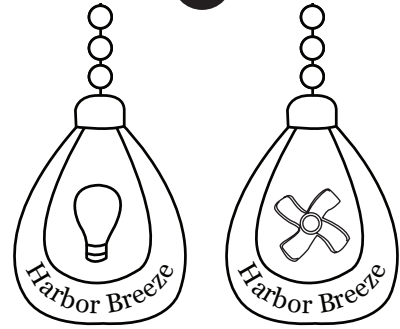
Tornillo de aspa
Cant. 15
+ 1 adicional

CC



Arandela para aspa
Cant. 15
+ 1 adicional

DD





Extensión para la cadena de tiro
Cant. 2


INFORMACIÓN DE SEGURIDAD


Lea y comprenda completamente este manual antes de intentar ensamblar, usar o instalar el producto.


- Antes de comenzar a instalar el ventilador, desconecte la alimentación eléctrica; para esto retire los fusibles o coloque el interruptor de circuito en la posición de apagado.
- Asegúrese de que todas las conexiones eléctricas cumplan con los códigos y ordenanzas locales, el National Electrical Code (Código Nacional de Electricidad) y la norma ANSI/NFPA 70-199. Si no está familiarizado con la instalación del cableado eléctrico, contrate a un electricista calificado o consulte un manual de cableado para hacerlo usted mismo.
- Asegúrese de que en el lugar de instalación que elija se pueda establecer una distancia mínima de 2,13 m desde las aspas hasta el piso, y al menos 76,2 cm desde los extremos de las aspas hasta cualquier obstáculo.
- El peso neto de este ventilador es: 6,10 kg.


 **PELIGRO:** Si utiliza una caja de salida existente, asegúrese de que esté bien sujeta a la estructura del edificio y que pueda sostener el peso del ventilador. El incumplimiento de dicho paso podría provocar lesiones graves o la muerte. La estabilidad de la caja de salida es fundamental para minimizar el tambaleo y el ruido en el ventilador una vez que la instalación esté completa.


 **ADVERTENCIA:** Para evitar lesiones personales, puede ser necesario usar guantes al manipular las piezas del ventilador con bordes filosos.

 **ADVERTENCIA:** El uso de un regulador de intensidad de rango completo para controlar la velocidad del ventilador provocará un zumbido intenso del ventilador. Para reducir el riesgo de incendios o descargas eléctricas, NO use un regulador de intensidad de rango completo para controlar la velocidad del ventilador.

 **ADVERTENCIA:** Para reducir el riesgo de incendios, descargas eléctricas o lesiones personales, instale el ventilador en una caja de salida marcada como “APTA PARA SOSTENER UN VENTILADOR” y utilice los tornillos de montaje incluidos en la caja de salida. La mayoría de las cajas de salida que se usan comúnmente para sostener ensambles de iluminación no son aptas para sostener un ventilador y puede ser necesario reemplazarlas. Si tiene dudas, consulte a un electricista calificado. Asegure la caja de salida directamente a la estructura del edificio. La caja de salida y su soporte deben ser capaces de sostener el peso del ventilador en movimiento (al menos 15,88 kg).

 **ADVERTENCIA:** Para reducir el riesgo de incendios, descargas eléctricas o lesiones personales, los conectores de cables proporcionados con este ventilador están diseñados para soportar solo un cable de la casa de calibre 12 y dos cables conductores del ventilador. Si el cable de su casa es de un calibre superior a 12 o hay más de un cable para conectar los dos cables conductores del ventilador, pregúntele a un electricista cuál es el tamaño adecuado de los conectores de cables que debe utilizar.

 **ADVERTENCIA:** Para reducir el riesgo de incendios, descargas eléctricas o lesiones personales, no doble los brazos de las aspas al instalarlas, al equilibrarlas o al limpiar el ventilador. No introduzca objetos entre las aspas en movimiento.

 **ADVERTENCIA:** Para reducir el riesgo de lesiones personales, use sólo las piezas que se incluyen con este ventilador. El uso de piezas DISTINTAS a aquellas que se incluyen con este ventilador anulará la garantía.



INFORMACIÓN DE SEGURIDAD

PRECAUCIÓN: Lea todas las instrucciones y la información de seguridad antes de instalar el nuevo ventilador. Revise los diagramas de ensamblaje adjuntos.

PRECAUCIÓN: Asegúrese de que la caja de salida cuente con la puesta a tierra adecuada o de que haya un conductor (verde o desnudo) de tierra.

PRECAUCIÓN: Revise cuidadosamente todos los tornillos, pernos y tuercas del ensamble del motor del ventilador para comprobar que estén seguros.

PRECAUCIÓN: este equipo ha sido probado y se ha verificado que cumple con los límites para un dispositivo digital clase B, conforme a la sección 15 de las reglas de la FCC. Estos límites están diseñados para proporcionar protección razonable contra interferencias perjudiciales en una instalación residencial. Este equipo genera, utiliza y puede irradiar energía de radiofrecuencia y, si no se instala y se usa de acuerdo con las instrucciones, puede causar interferencia perjudicial para las comunicaciones de radio. Sin embargo, no se garantiza que no se producirán interferencias en una instalación en particular. Si este equipo genera una interferencia perjudicial para la recepción de radio o televisión, que se puede determinar apagando y encendiendo el equipo, se recomienda al usuario que intente corregir la interferencia con una o más de las siguientes medidas:

--Reoriente o reubique la antena de recepción.

--Aumente la separación entre el equipo y el receptor.

--Conecte el equipo a un tomacorriente de un circuito distinto del que usa el receptor.

--Solicite ayuda al distribuidor o a un técnico con experiencia en radio/TV.

Tenga presente que cualquier cambio o modificación que no esté expresamente aprobado por la parte responsable del cumplimiento podría anular la autorización del usuario para utilizar el equipo.

PREPARACIÓN

Antes de comenzar a ensamblar este producto, asegúrese de tener todas las piezas. Compare todas las piezas con la lista del contenido del paquete y con la lista de aditamentos. No intente ensamblar el producto si falta alguna pieza o si estas están dañadas.

Después de abrir la parte superior de la caja, retire el paquete de aditamentos para montaje de los accesorios de espuma. Luego, quite el motor del ensamble y colóquelo en una superficie suave, como una alfombra, para evitar dañar el acabado.

Tiempo estimado de ensamblaje: 120 minutos

Herramientas necesarias para el ensamblaje (no se incluyen): cinta aislante, destornillador Phillips, pinzas, gafas de seguridad, escalera de tijera y pinzas pelacables.

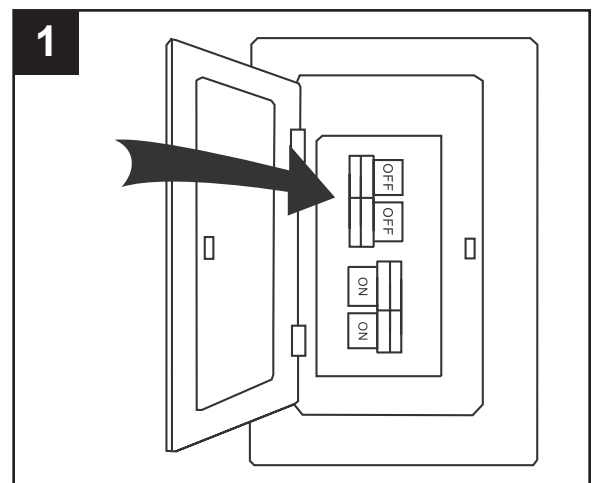
Herramientas útiles (no se incluyen): Luz de prueba de CA, cinta métrica, manual de cableado y pinzas cortacables

INSTALACIÓN INICIAL

1. Gire las abrazaderas de circuito y el interruptor de pared hacia los conductores de la línea de suministro del ventilador.

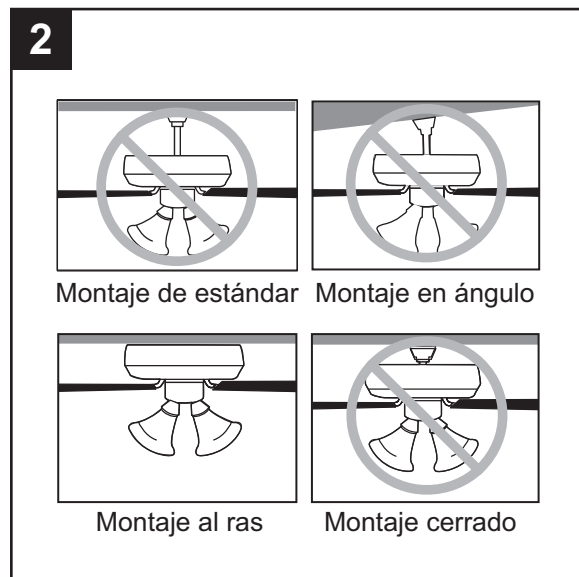


PELIGRO: si no interrumpe el suministro de electricidad antes de la instalación, pueden producirse lesiones graves o la muerte.

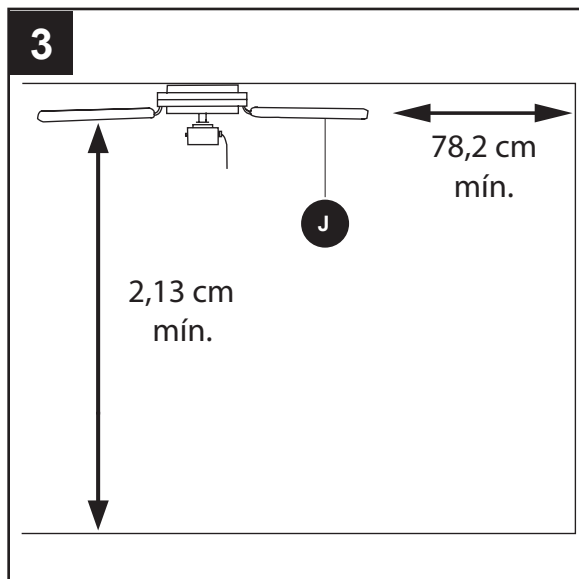


INSTALACIÓN INICIAL

2. Este ventilador está diseñado para instalaciones al ras. Las instalaciones de montaje estándar, montaje en ángulo y montaje cerrado no están disponibles.

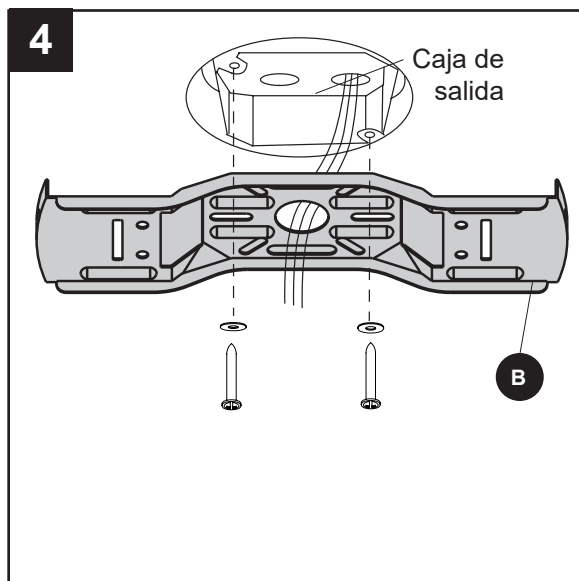


3. Asegúrese de que las aspas (J) estén al menos a 76,2 cm de cualquier obstrucción y al menos a 2,13 m del piso.



4. Asegure la abrazadera de montaje superior (B) a la caja de salida (no se incluye) con los tornillos y las arandelas que se proporcionan con la caja de salida.

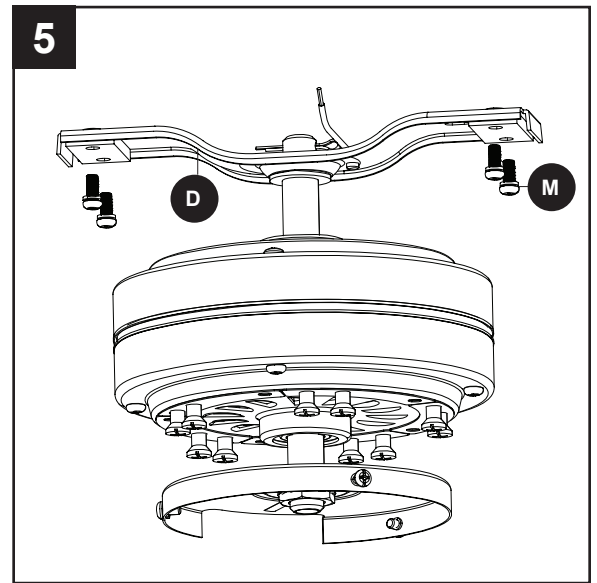
PRECAUCIÓN: Es primordial que use los aditamentos adecuados para instalar la abrazadera de montaje superior (B) ya que esta soporta al ventilador.



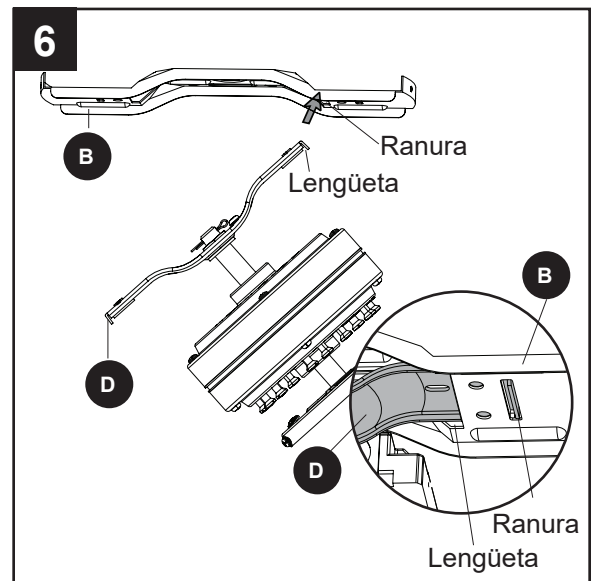
INSTALACIÓN INICIAL

5. Retire los tornillos inferiores de la abrazadera (M) de debajo de la abrazadera inferior de montaje (D).

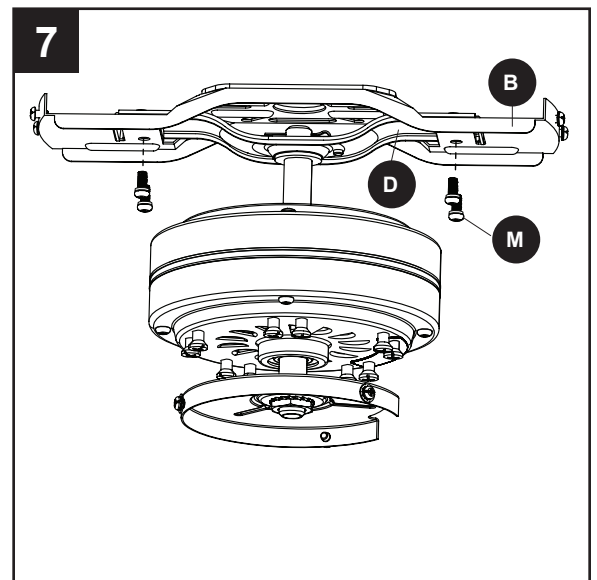
Nota: Asegúrese de mantener separados los aditamentos sueltos para evitar confusiones durante la instalación.



6. Coloque una lengüeta de la abrazadera inferior de montaje (D) en la ranura de la abrazadera superior de montaje (B). Luego desplace la segunda lengüeta de la abrazadera inferior de montaje (D) en la segunda ranura de la abrazadera superior de montaje (B) hasta que los cuatro orificios estén alineados.



7. Vuelva a instalar los tornillos inferiores (M) previamente retirados de la abrazadera para fijar la abrazadera inferior de montaje (D) y la abrazadera superior de montaje (B).



CABLEADO

⚠️ ADVERTENCIA: Para reducir el riesgo de incendios, descargas eléctricas o lesiones personales, los conectores de cables proporcionados con este ventilador están diseñados para soportar solo un cable de la casa de calibre 12 y dos cables conductores del ventilador. Si el cable de la casa es de un calibre superior a 12 o hay más de un cable de la casa para conectar los dos cables conductores del ventilador, pregúntele a un electricista cuál es el tamaño adecuado de los conectores de cables que debe utilizar.

PRECAUCIÓN: Asegúrese de que la caja de salida cuente con la puesta a tierra adecuada o de que haya un cable (verde o desnudo) de tierra.

1. Conecte los cables del ventilador y del suministro doméstico según el diagrama, siguiendo estos pasos:
 - Conecte los conductores verdes del ventilador y de la abrazadera de montaje superior (B) al conductor de suministro desnudo/verde (de puesta a tierra).
 - Conecte el conductor blanco del ventilador al conductor de suministro blanco.
 - Conecte los conductores azul y negro del ventilador al conductor de suministro negro.
 - Asegure todas las conexiones del cableado junto con los conectores de cables (AA).

Nota: Si existe un segundo conductor de fuerza/energizado proveniente de una caja de salida, conéctelo al conductor azul del ventilador (alimentación de la luz) para separar la luz del control del ventilador.

Note: El conductor negro le proporciona energía al ventilador. El conductor blanco es el conductor común. El conductor azul le proporciona energía al kit de iluminación. El conductor verde es el conductor de puesta a tierra. Si los conductores interiores son de color diferente a los mencionados anteriormente, se recomienda que un electricista profesional determine el cableado adecuado.

Aditamentos utilizados



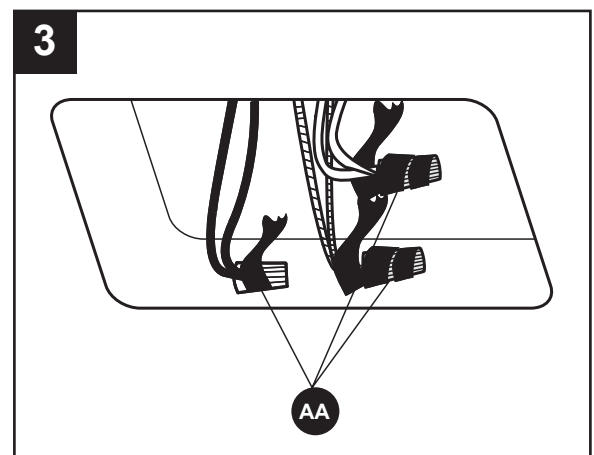
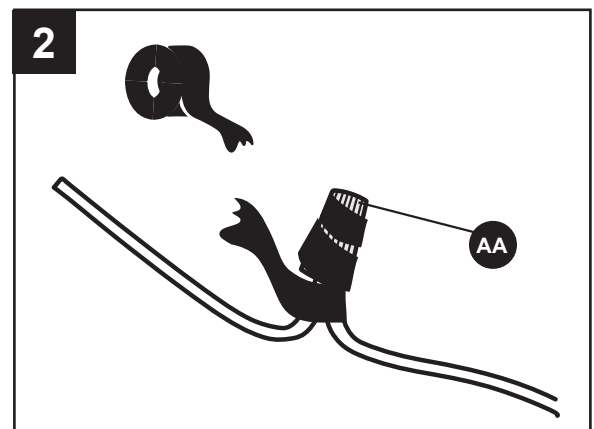
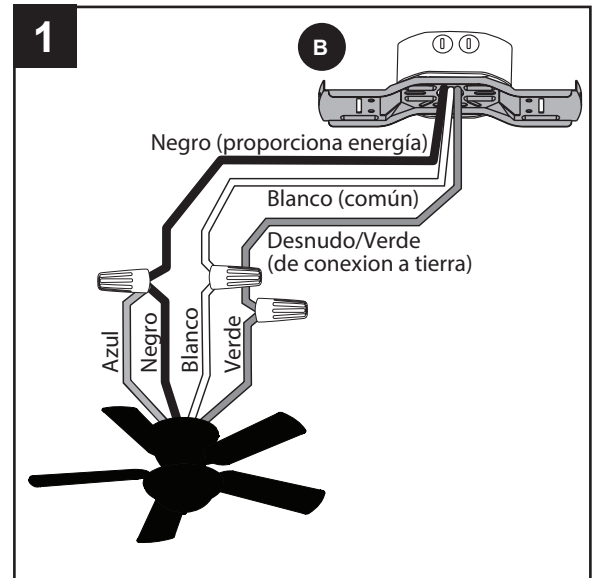
Conector de cables



x 3

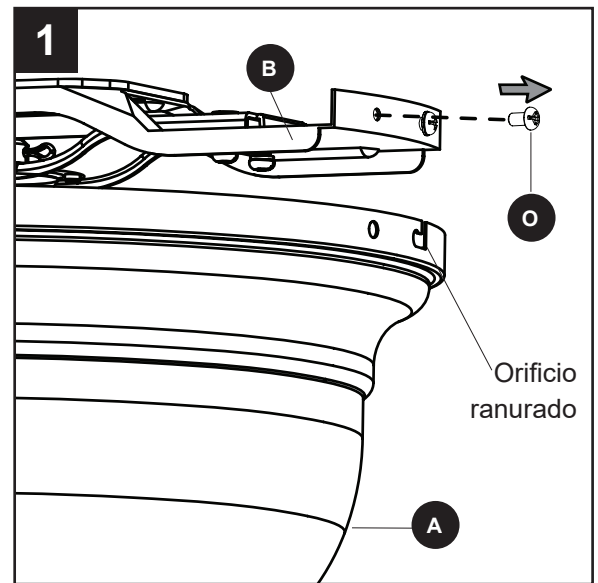
2. Cubra con cinta aislante (no se incluye) cada conector de cables individual (AA) hacia abajo del cable.
3. Gire los cables empalmados o cubiertos con cinta hacia arriba y empuje suavemente los cables y los conectores de cables (AA) hacia dentro de la caja de salida.

⚠️ ADVERTENCIA: Asegúrese de que no haya conductores desnudos ni filamentos de cables visibles después de realizar las conexiones. Coloque las conexiones de cables verde y blanco en el lado opuesto de la caja de salida con respecto a las conexiones de cables negro y azul.

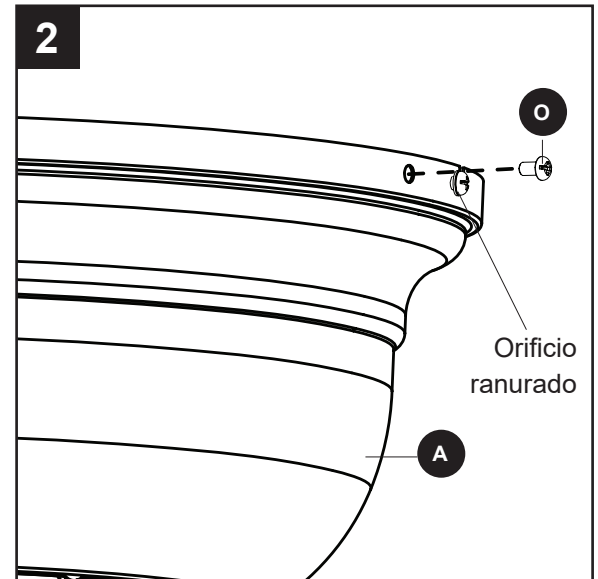


INSTALACIÓN FINAL

1. Levante temporalmente la carcasa del motor (A) hacia la abrazadera de montaje superior (B) para determinar cuáles son los dos tornillos de la carcasa del motor (O) en los costados de la abrazadera de montaje superior (B) que se alinean con los orificios ranurados en el borde superior de la carcasa del motor (A). Afloje parcialmente los dos tornillos de la carcasa del motor (O) que se alinean con los orificios ranurados. Retire los otros dos tornillos de la carcasa del motor (O) de la abrazadera de montaje superior (B).

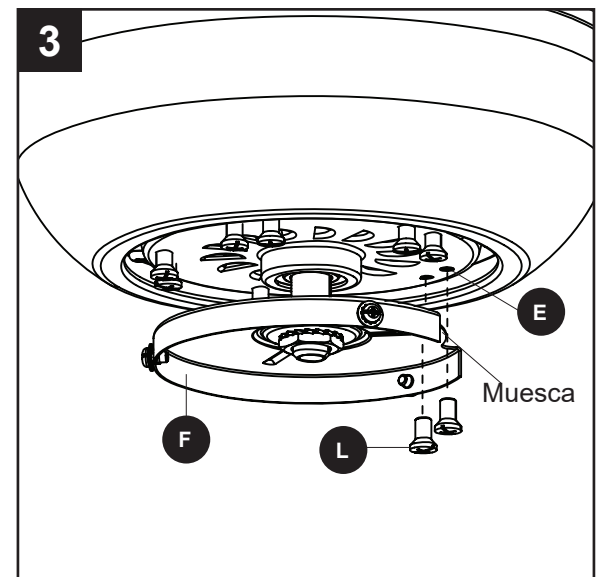


2. Desplace la carcasa del motor (A) sobre el motor (E), alineando los orificios ranurados de la carcasa del motor (A) con los tornillos de montaje (O) de la carcasa del motor aflojados en la abrazadera de montaje superior (B). Gire la carcasa del motor (A) en dirección de las manecillas del reloj para asegurarla. Luego vuelva a colocar los dos tornillos (O) de la carcasa del motor previamente retirados y apriete bien todos los tornillos.



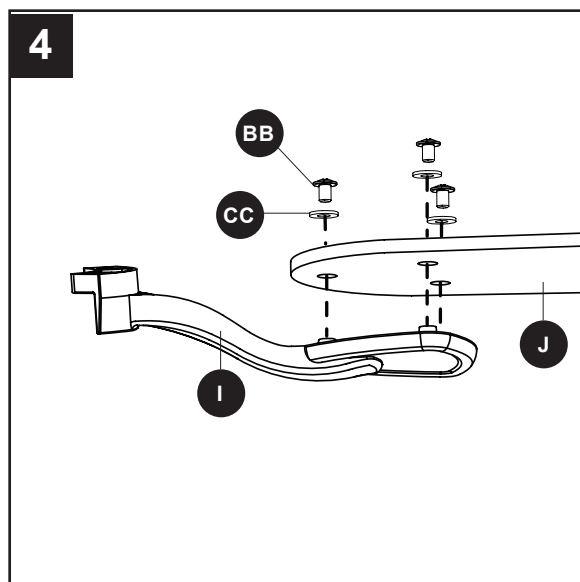
3. Retire los 10 tornillos del motor (L) del motor (E) y guárdelos para su uso posterior.

Nota: La muesca en la placa de soporte permite el acceso del destornillador Phillips (no se incluye) a los tornillos del motor (L).



INSTALACIÓN FINAL

4. Inserte parcialmente los tornillos de las aspas (BB), junto con las arandelas de las aspas (CC) a través de un asa (J) y en un brazo de las aspas (I). Apriete cada tornillo del asa (BB) con un destornillador Phillips, comenzando por el que está en el medio. Repita este paso para las aspas restantes (J) y los brazos de las aspas (I).

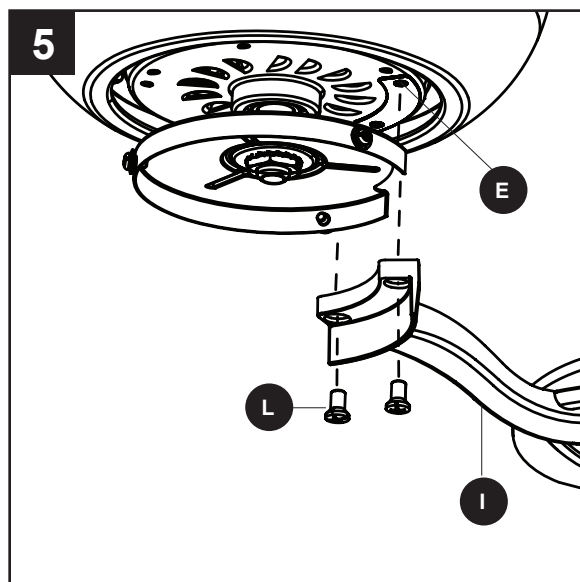


Aditamentos utilizados

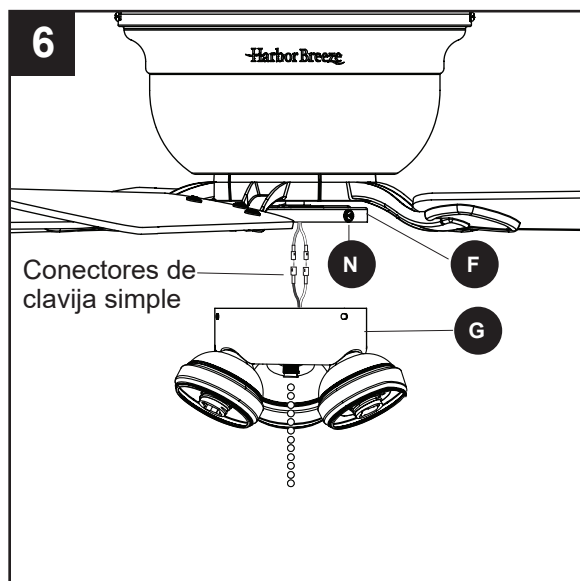
BB	Tornillo del asa		x 15
CC	Arandela del asa		x 15

5. Instale el brazo del asa (I) al lado inferior del motor (E) con los tornillos del motor (L) que retiró previamente (paso 3, página 10).

Repita para cada brazo de asa (L).

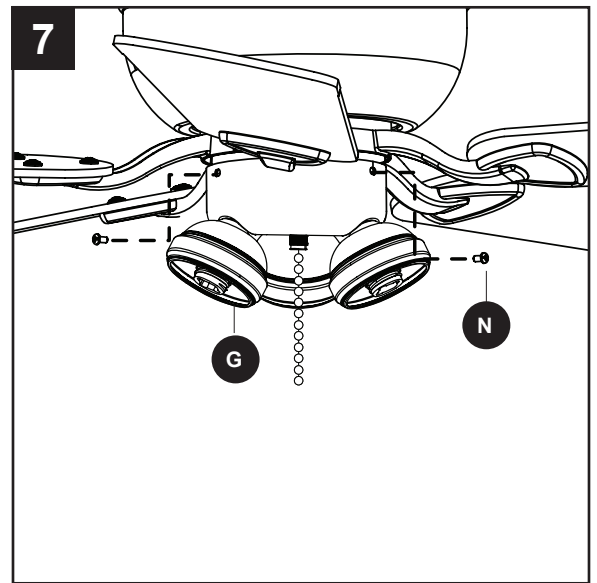


6. Retire los tornillos de la placa de soporte (N) preensamblados en la placa de soporte (F). Luego, conecte los conectores de clavija simple de la placa de soporte (F) y del kit de iluminación (G): azul con negro y blanco con blanco.

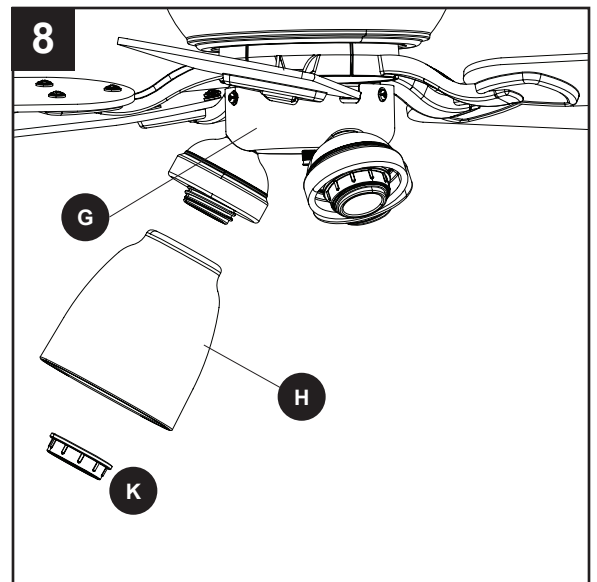


INSTALACIÓN FINAL

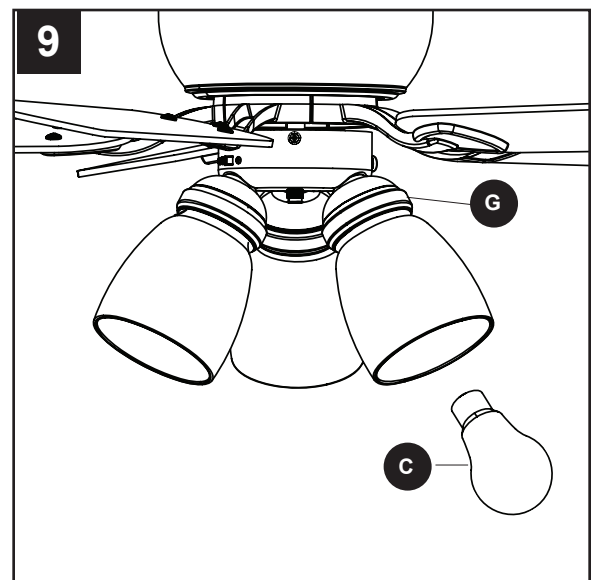
7. Asegure el kit de iluminación (G) a la placa de soporte (F) al instalar los tornillos de la placa de soporte (N).



8. Desenrosque el anillo del portalámpara (K) del portalámpara del kit de iluminación (G). Luego, levante la pantalla de vidrio (H) en el soporte de la luz. Asegure la pantalla de vidrio (H) al instalar nuevamente el anillo del portalámpara (K).



9. Instale las bombillas (C) en los portalámparas del kit de iluminación (G).



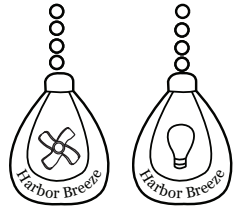
INSTALACIÓN FINAL

10. Conecte las extensiones para la cadena de tiro (DD) o personalice las extensiones para la cadena de tiro (no se incluyen) con las cadenas de tiro del ventilador y la luz (si corresponde).

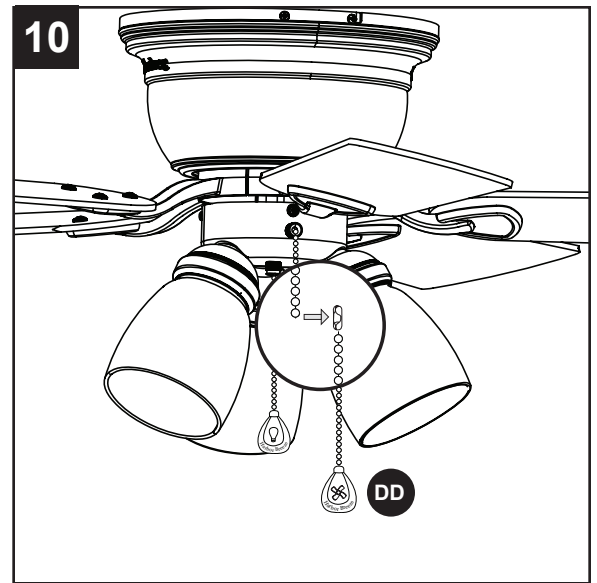
Aditamentos utilizados

DD

Extensión para la cadena de tiro

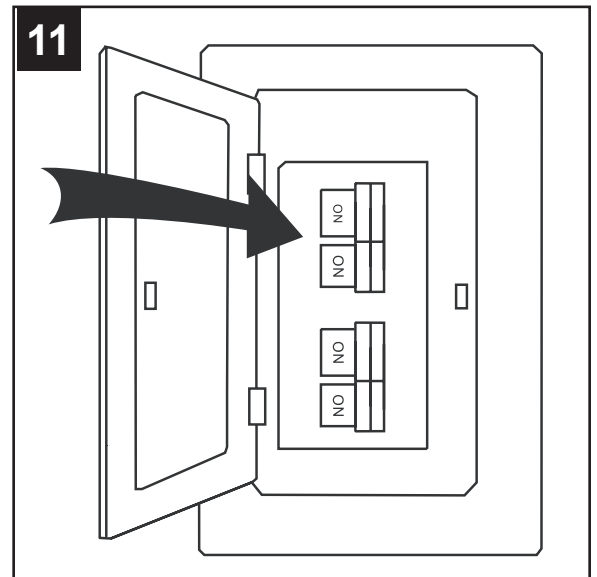


x 2



11. Encienda la fuente de alimentación.

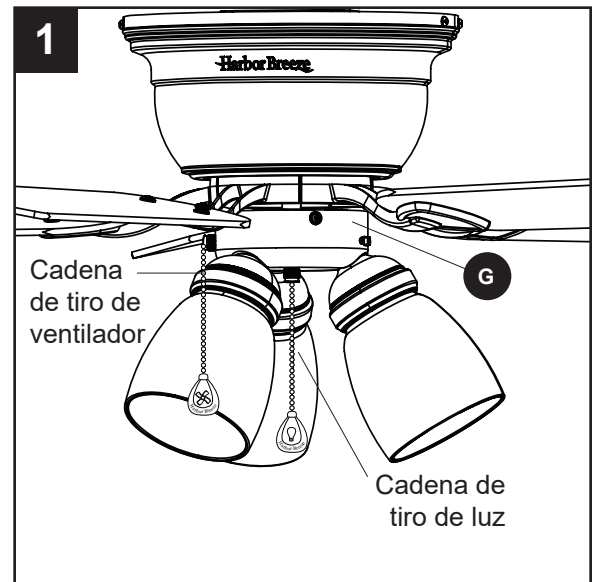
Ya ha terminado el ensamblado.



INSTRUCCIONES DE FUNCIONAMIENTO

1. La cadena de tiro de ventilador tiene cuatro posiciones para controlar la velocidad. Jale una vez para la posición high; dos para la posición media; tres para la posición baja y cuatro para la posición apagado que apaga el ventilador.

La cadena de tiro de luz se utiliza para encender la luz dentro y fuera.



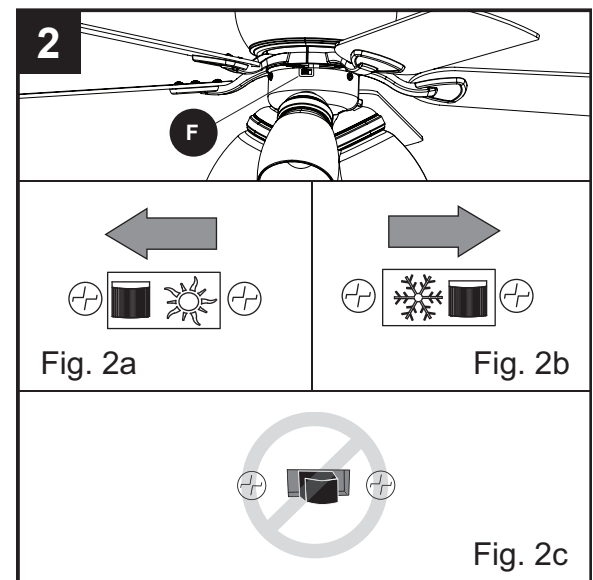
2. El uso de un ventilador de techo le permitirá elevar la configuración de su termostato en verano y disminuirla en invierno, sin sentir una diferencia en su comodidad.

Nota: Espere a que el ventilador se detenga antes de mover el interruptor de reversa.

En climas más cálidos, presione el interruptor de reversa hacia izquierda y verá un icono de un sol, lo que creará un flujo de aire descendente que generará un efecto de viento refrescante (Fig. 2a).

En climas más fríos, deslice el interruptor de reversa derecha arriba y verá un icono de copo de nieve, que creará un flujo de aire ascendente que puede ayudar a mover el aire caliente estancado fuera del área del techo (Fig. 2b).

Importante: El interruptor de reversa se debe deslizar completamente hacia la derecha o hacia la izquierda para que el ventilador funcione. Si el interruptor de reversa se configura en la posición del medio, el ventilador no funcionará (Fig. 2c).



CUIDADO Y MANTENIMIENTO

Al menos dos veces al año, baje la base para apriete todos los tornillos en el ventilador. Limpie la carcasa del motor solo con un cepillo suave o un paño sin pelusas para evitar rayar el acabado. Limpie las aspas con un paño sin pelusas.

Reemplazo de las bombillas: use bombillas de 60 vatios como máximo, bombillas LED de base E26, bombillas CFL o bombillas incandescentes. No se recomiendan las bombillas halógenas para este artículo.

Importante: Antes de realizar cualquier trabajo de mantenimiento, desconecte el suministro de electricidad principal. No utilice agua ni un paño húmedo para limpiar el ventilador.

SOLUCIÓN DE PROBLEMAS

PROBLEMA	CAUSA POSIBLE	ACCIÓN CORRECTIVA
El ventilador no se mueve.	<ol style="list-style-type: none">1. El interruptor de reversa no está activado.2. El interruptor de pared se apagó.3. No hay suministro de electricidad o hay un fusible (interruptor) quemado.4. Una conexión de los cables no es la correcta.	<ol style="list-style-type: none">1. Mueva firmemente el interruptor de reversa hacia la izquierda o hacia la derecha.2. Asegúrese de que el interruptor de pared esté encendido.3. Encienda el suministro eléctrico o verifique el fusible (interruptor).4. Desactive la alimentación eléctrica y revise todas las conexiones de la caja de salida del techo.
Hay un tambaleo excesivo.	<ol style="list-style-type: none">1. Una o varias aspas están flojas.2. Las aspas no están equilibradas.3. El montaje del ventilador no está asegurado.	<ol style="list-style-type: none">1. Revise y apriete todos los tornillos que sostienen las aspas del ventilador en los brazos de las aspas y en el motor.2. Intercambie un aspa con otra del lado opuesto. O equilibre el ventilador mediante el kit de equilibrio (P).3. Desconecte el suministro de electricidad. Afloje la base y verifique que la abrazadera de montaje esté asegurada en la caja de salida eléctrica. La abrazadera debe estar al ras de la caja de salida y no debe moverse.
El ventilador funciona correctamente, pero las luces no funcionan (si corresponde).	<ol style="list-style-type: none">1. Las bombillas no están bien instaladas. La caja de salida no está asegurada.2. Los enchufes de cables del kit de iluminación no están conectados apropiadamente.3. Una conexión de los cables no es la correcta.	<ol style="list-style-type: none">1. Vuelva a instalar las bombillas.2. Asegúrese de que los enchufes macho y hembra del soporte del kit de iluminación estén conectados correctamente.3. Desactive la alimentación eléctrica y revise todas las conexiones de la caja de salida del techo.

SOLUCIÓN DE PROBLEMAS

PROBLEMA	CAUSA POSIBLE	ACCIÓN CORRECTIVA
El ventilador hace ruido.	<ol style="list-style-type: none"> 1. Las aspas están flojas. 2. Un aspa está partida. 3. El control de pared no es compatible con el ventilador. 4. La caja de salida no está asegurada. 5. El soporte de montaje no es seguro. 	<ol style="list-style-type: none"> 1. Revise y apriete todos los tornillos que sostienen las aspas del ventilador en los brazos de las aspas y en el motor. 2. Reemplace el aspa partida. 3. No use un regulador de intensidad de rango completo para controlar la velocidad del ventilador. 4. Verifique que la caja de salida esté asegurada a la estructura del edificio. 5. Asegúrese de que el soporte de montaje esté fijo en la caja de salida y que los tornillos estén apretados.

GARANTÍA LIMITADA DE POR VIDA

El fabricante garantiza que este ventilador no presenta defectos de mano de obra ni de materiales en el momento del transporte desde la fábrica durante un período de por vida a partir de la fecha de compra del comprador original. El comercio minorista también garantiza que las demás piezas del ventilador, con excepción de cualquier aspa de vidrio o plexiglás, no presentan defectos de mano de obra ni de materiales en el momento del transporte desde la fábrica, durante un período de un año a partir de la fecha de compra por parte del comprador original. El fabricante acepta reparar dichos defectos sin cargo o, a su elección, reemplazar el ventilador de techo por un modelo comparable o superior.

Para obtener el servicio de garantía, presente una copia del recibo como comprobante de la compra. Todos los costos de retiro y reinstalación del producto son su responsabilidad. Esta garantía no se aplica a ningún daño que se produzca en cualquier pieza del producto como consecuencia de un accidente, uso indebido o instalación incorrecta, o causado por elementos accesorios. El fabricante no asume ningún tipo de responsabilidad por la instalación del ventilador durante la garantía limitada de por vida. Cualquier servicio realizado por una persona no autorizada invalidará la garantía.

Debido a las cambiantes condiciones climáticas, esta garantía no cubre cambios en el acabado de latón, incluidos la oxidación, las picaduras, la corrosión, el deslustre o el descascarado. Los acabados de latón de este tipo proporcionan una vida útil más prolongada si se los protege de las cambiantes condiciones climáticas. La garantía no cubre los elementos de vidrio incluidos con este ventilador.

Cualquier reemplazo de piezas defectuosas para el ventilador de techo debe informarse dentro del primer año posterior a la fecha de compra. Para conocer el saldo de la garantía, llame a nuestro departamento de servicio al cliente y obtenga la autorización de la devolución e instrucciones de envío de modo que podamos reparar o reemplazar el ventilador de techo. Cualquier ventilador o piezas devueltos de forma incorrecta son responsabilidad única del comprador. No existen otras garantías explícitas. El fabricante rechaza cualquier y todas las garantías. La duración de cualquier garantía implícita que no se pueda rechazar se limita al período de tiempo especificado en la garantía expresa. El fabricante no será responsable por daños incidentales, resultantes o especiales que surjan en relación con el uso o el rendimiento del producto, excepto que la ley indique lo contrario. Esta garantía le otorga derechos legales específicos, pero podría tener, también, otros derechos que varían según el estado.

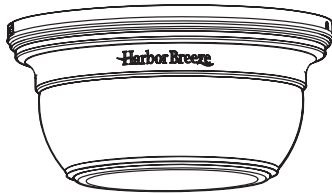
Esta garantía sustituye cualquier garantía previa.

Note: Un cierto "tambaleo" es normal y no se debe considerar como un defecto.

LISTA DE PIEZAS DE REPUESTO

Para obtener piezas de repuesto, llame a nuestro Departamento de Servicio al Cliente al 1-800-643-0067, de lunes a jueves de 8 a.m. a 6 p.m., y los viernes de 8 a.m. a 5 p.m., hora estándar del Este.

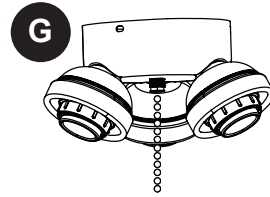
PIEZA	DESCRIPCIÓN	#0732082 PIEZA#	#0807429 PIEZA#	#0807432 PIEZA#	#0807433 PIEZA#
A	Carcasa del motor	0732082-A	0807429-A	0807432-A	0807433-A
B	Soporte de montaje superior	0732082-B	0807429-B	0807432-B	0807433-B
G	Kit de iluminación	0732082-G	0807429-G	0807432-G	0807433-G
H	Pantalla de vidrio	0732082-H	0807429-H	0807432-H	0807433-H
I	Brazo del aspa	0732082-I	0807429-I	0807432-I	0807433-I
J	Aspa	0732082-J	0807429-J	0807432-J	0807433-J
HW	Kit de aditamentos	0732082-HW	0807429-HW	0807432-HW	0807433-HW



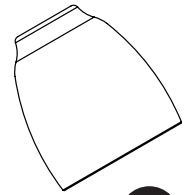
A



B



G



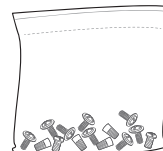
H



I



J



HW