



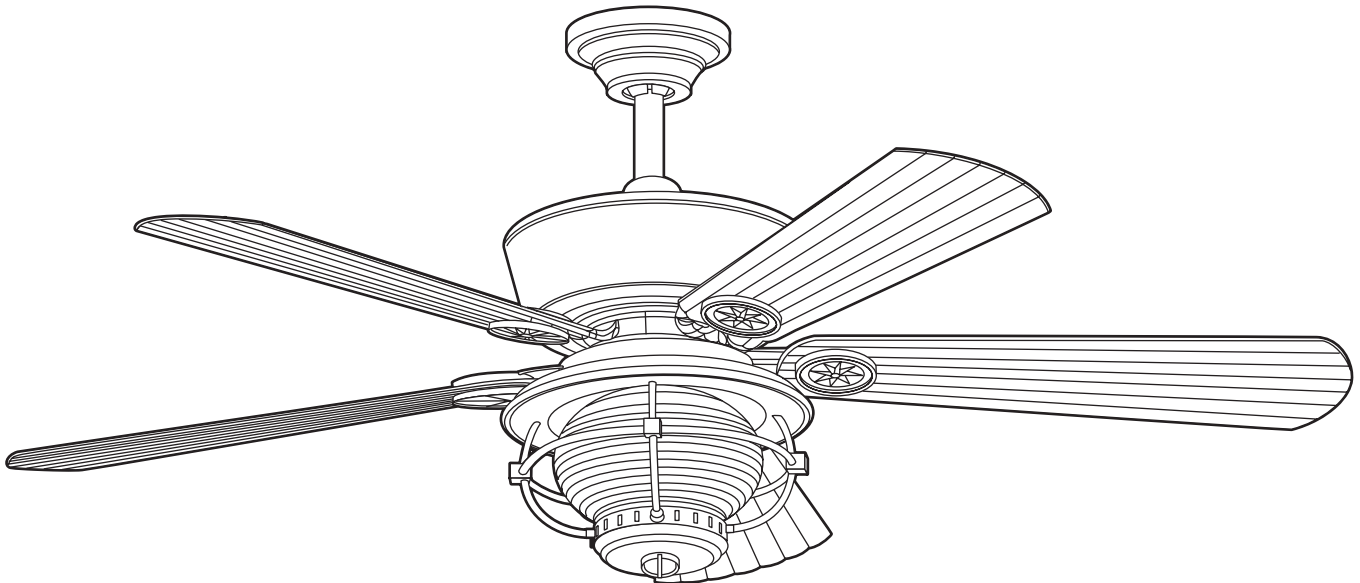
ITEM #0080443

52" MERRIMACK CEILING FAN

Harbor Breeze® is a registered trademark of LF, LLC. All Rights Reserved.

MODEL #40094

Español p. 25



ATTACH YOUR RECEIPT HERE

Serial Number _____ Purchase Date _____



Questions, problems, missing parts? Before returning to your retailer, call our customer service department at 1-800-643-0067, 8 a.m. - 6 p.m., EST, Monday - Thursday, 8 a.m. - 5 p.m., EST, Friday.

XXXXX

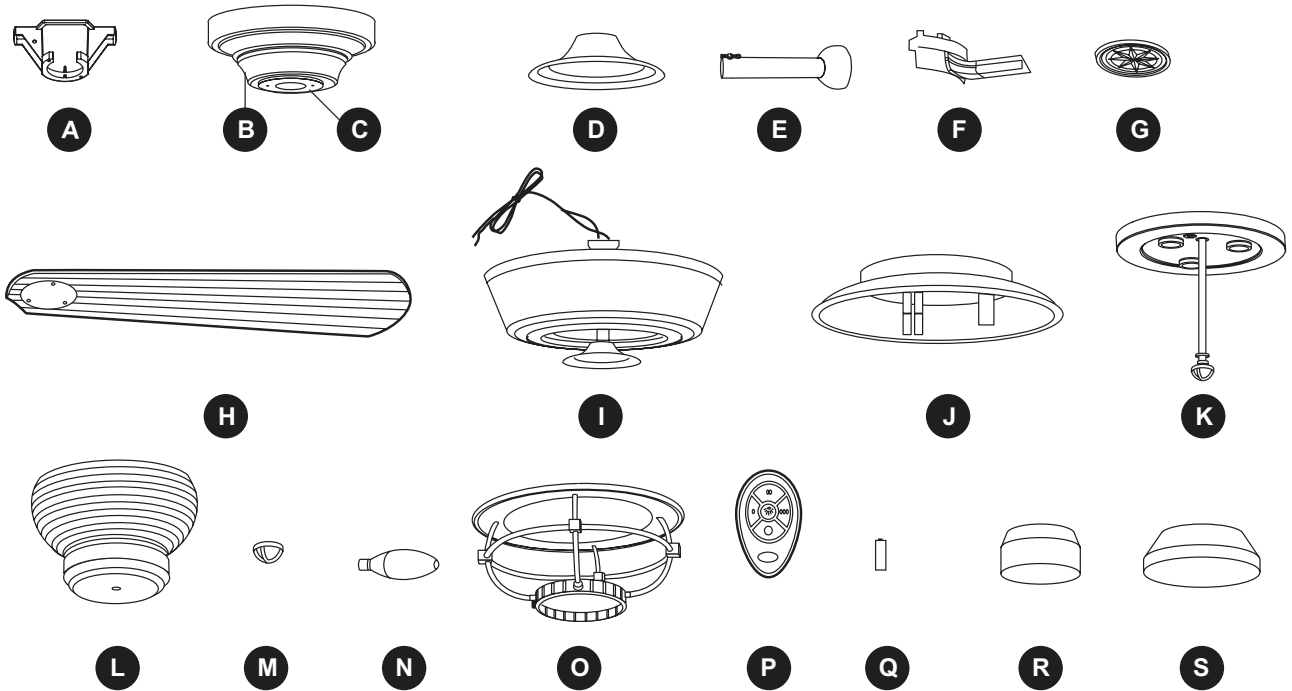


TABLE OF CONTENTS

Package Contents	3
Hardware Contents	4
Safety Information	5
Preparation	6
Assembly Instructions	7
Standard or Angle Mounting Instructions.	9
Closemount Instructions	11
Wiring	12
Final Installation.	14
Operation Instructions	19
Care and Maintenance	21
Troubleshooting.	21
Limited Lifetime Warranty	23
Replacement Parts	24



PACKAGE CONTENTS



PART	DESCRIPTION	QUANTITY
A	Mounting Bracket	1
B	Canopy	1
C	Canopy Cover (preassembled to Canopy (B))	1
D	Yoke Cover	1
E	Downrod	1
F	Blade Bracket	5
G	Blade Medallion	5
H	Blade	5
I	Motor Assembly	1
J	Light Pan	1
K	Light Kit	1
L	Glass	1
M	Finial (preassembled to Light Kit (K))	1
N	Bulb	3
O	Light Frame	1
P	Remote Control	1
Q	Battery	1
R	Adaptor Rubber Coupling	1
S	Hanger Ball Rubber Coupling	1

HARDWARE CONTENTS

AA



Wire Connector
Qty. 4

BB



Blade Screw
Qty. 15 + 1 extra

CC



Motor Screw
(preassembled to
Motor Assembly (I))
Qty. 10 + 1 extra

DD



Downrod Pin
(preassembled to
Downrod (E))
Qty. 1

EE



Downrod Clip
(preassembled to
Downrod (E))
Qty. 1

FF



Motor Housing Set
Screw
(preassembled to
Motor Assembly (I))
Qty. 2

GG



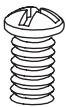
Mounting Bracket Screw
(preassembled to
Mounting Bracket (A))
Qty. 4

HH



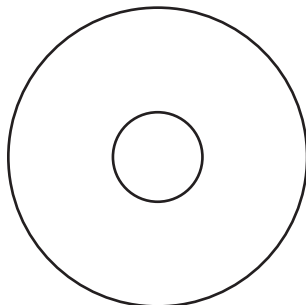
Fitter Plate Screw
(preassembled to
Motor Assembly (I))
Qty. 3

II



Light Pan Bracket
Screw
(preassembled to
Light Pan (J))
Qty. 3

JJ



Rubber Washer
(preassembled to
Light Kit (K))
Qty. 1

KK



Hex Nut
(preassembled to
Light Kit (K))
Qty. 1

LL





Closemount Screw
(preassembled to
Motor Housing (I))
Qty. 3


SAFETY INFORMATION


Please read and understand this entire manual before attempting to assemble, operate, or install the product.


- Before you begin installing the fan, disconnect the power by removing fuses or turning off the circuit breakers.
- Make sure that all electrical connections comply with local codes, ordinances, the National Electrical Code, and ANSI/NFPA 70-199. Hire a qualified electrician or consult a do-it-yourself wiring handbook if you are unfamiliar with installing electrical wiring.
- Make sure the installation site you choose allows a minimum clearance of 7 ft. from the blades to the floor and at least 30 in. from the end of the blades to any obstruction.
- The net weight of this fan is: 23.3 lbs. (10.6 kg).


 **DANGER:** When using an existing outlet box, make sure the outlet box is securely attached to the building structure and can support the full weight of the fan. Failure to do this can result in serious injury or death. The stability of the outlet box is essential in minimizing wobble and noise in the fan after installation is complete.


 **WARNING:** To avoid personal injury, the use of gloves may be necessary while handling fan parts with sharp edges.


 **WARNING:** Using a full-range dimmer switch to control fan speed will cause a loud humming noise from the fan. To reduce the risk of fire or electric shock, do NOT use a full-range dimmer switch to control the fan speed.

 **WARNING:** To reduce the risk of fire, electric shock, or personal injury, mount the fan to an outlet box marked “ACCEPTABLE FOR FAN SUPPORT” and use the mounting screws provided with the outlet box. Most outlet boxes commonly used for the support of lighting fixtures are not acceptable for fan support and may need to be replaced. Consult a qualified electrician if in doubt. Secure the outlet box directly to the building structure. The outlet box and its support must be able to support the moving weight of the fan (at least 35 lbs.). Do NOT use a plastic outlet box.

 **WARNING:** To reduce the risk of fire, electrical shock, or personal injury, wire connectors provided with this fan are designed to accept only one 12-gauge house wire and two lead wires from the fan. If your house wire is larger than 12 gauges or there is more than one house wire to connect to the two fan lead wires, consult an electrician for the proper size wire connectors to use.

 **WARNING:** To reduce the risk of fire or electric shock, do not use the fan with any solid-state speed-control device or control the fan speed with a full-range dimmer switch.

 **WARNING:** To reduce the risk of fire, electric shock, or personal injury, do not bend the blade arms when installing them, balancing the blades, or cleaning the fan. Do not insert objects between the rotating fan blades.

 **WARNING:** To reduce the risk of personal injury, use only parts provided with this fan. The use of parts OTHER than those provided with this fan will void the warranty.



SAFETY INFORMATION

CAUTION: Read all instructions and safety information before installing your new fan. Review the accompanying assembly diagrams.

CAUTION: Be sure the outlet box is properly grounded or that a ground (green or bare) wire is present.

CAUTION: Carefully check all screws, bolts, and nuts on the fan motor assembly to ensure that they are secured.

PREPARATION

Before beginning the assembly of this product, ensure that all parts are present. Compare all parts with the package contents list and hardware contents list. If any part is missing or damaged, do not attempt to assemble the product.

After opening the top of the carton, remove the mounting hardware package from the foam inserts, then remove the motor from the packaging and place it on a soft surface, such as a carpet, to avoid damage to the finish.

Estimated Assembly Time: 120 minutes

Tools Required for Assembly (not included): Electrical Tape, Phillips Screwdriver, Pliers, Safety Glasses, Step Ladder, and Wire Strippers

Helpful Tools (not included): AC Tester Light, Tape Measure, Wiring Handbook, and Wire Cutters



ASSEMBLY INSTRUCTIONS

1. Turn off the circuit breakers and the wall switch to the fan supply line leads.

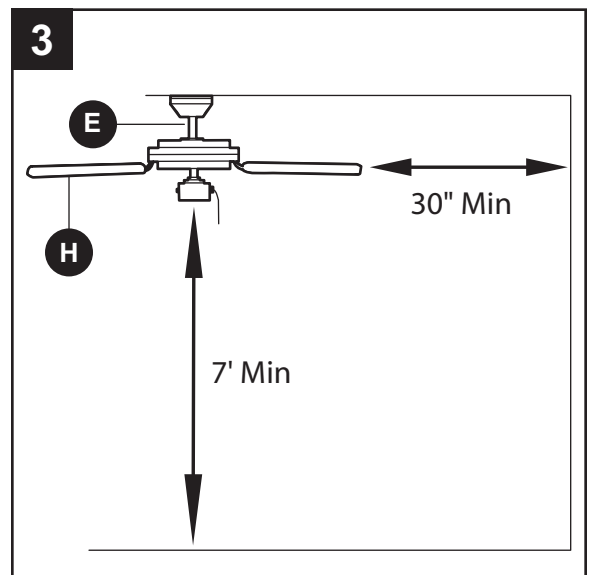
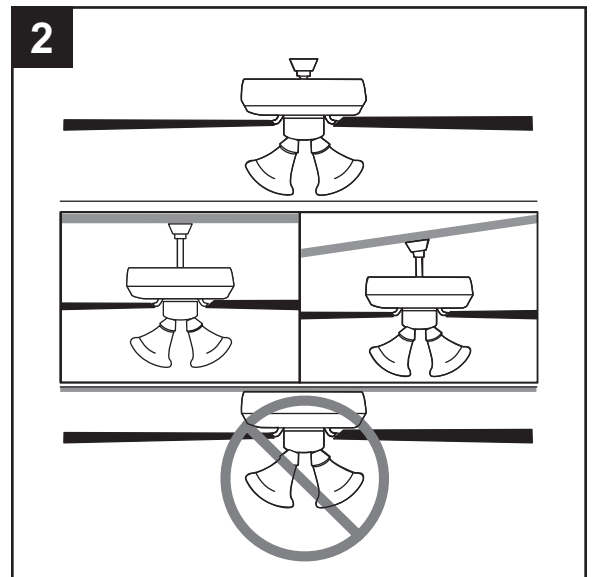
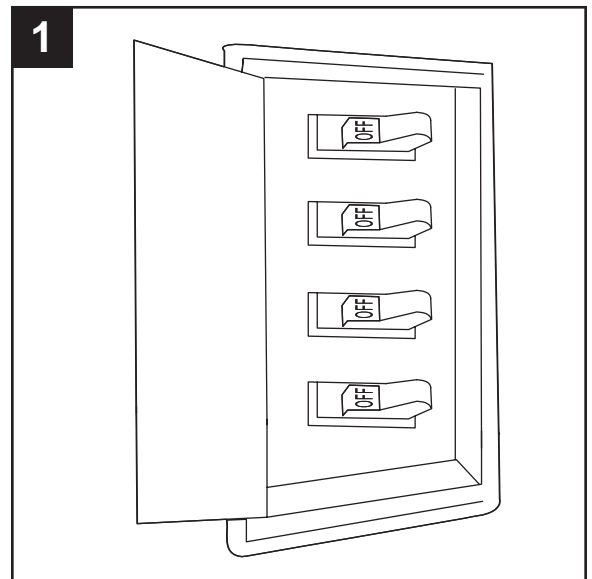
⚠ DANGER: Failure to disconnect the power supply prior to installation may result in serious injury or death.

2. Determine the mounting method to use.

Note: Flushmount installation is not available for this item.

Important: If using the angle mount, check to ensure the ceiling angle is not steeper than 20°.

3. Ensure that the blades (H) will be at least 30 in. from any obstructions. Also check the downrod (E) length to ensure the blades (H) will be at least 7 ft. above the floor.



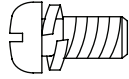
ASSEMBLY INSTRUCTIONS

- Remove the motor screws (CC) from the underside of the motor assembly (I).

Hardware Used



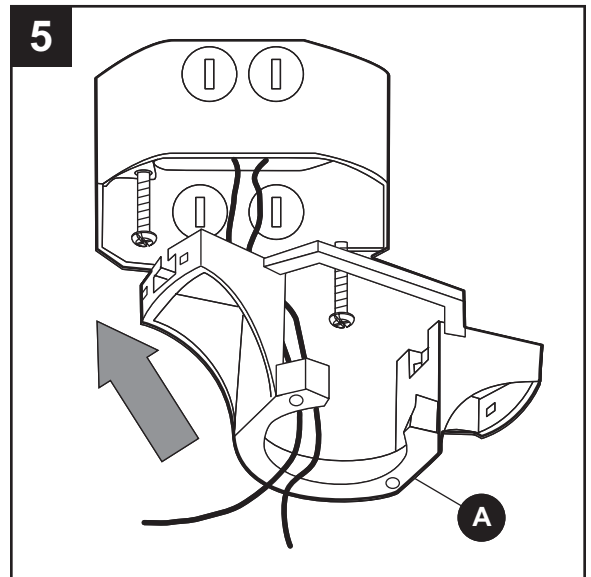
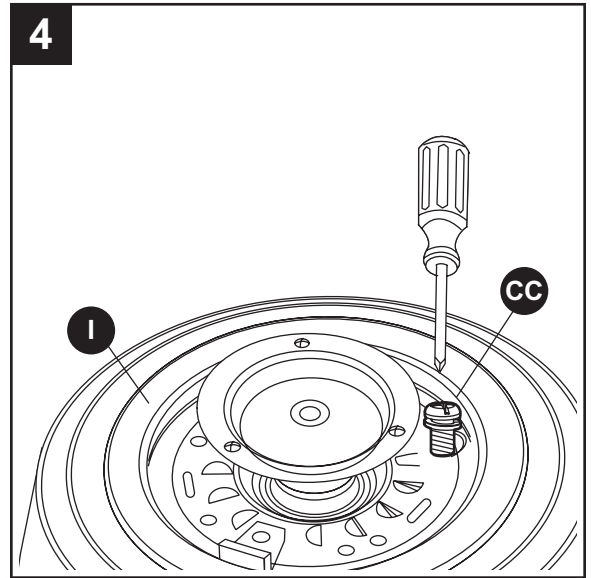
Motor Screw



x 10

- Install the mounting bracket (A) to the outlet box by sliding the mounting bracket (A) over the two mounting screws supplied by the outlet box. Securely tighten the mounting screws.

Important: If using the angle mount, ensure that the open end of the mounting bracket (A) is installed facing the ceiling.



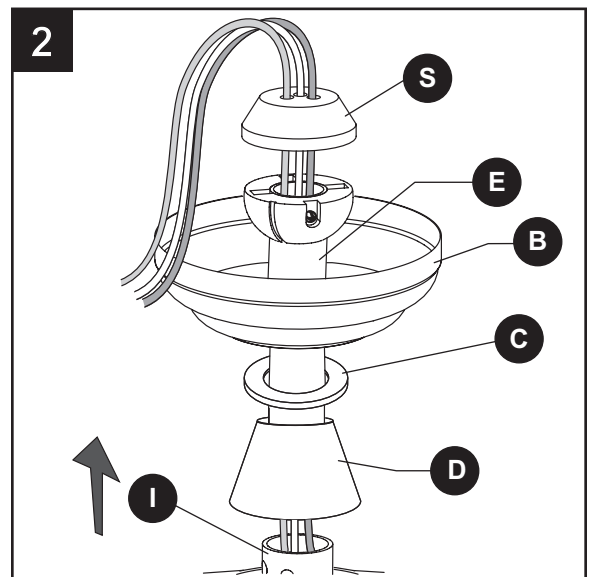
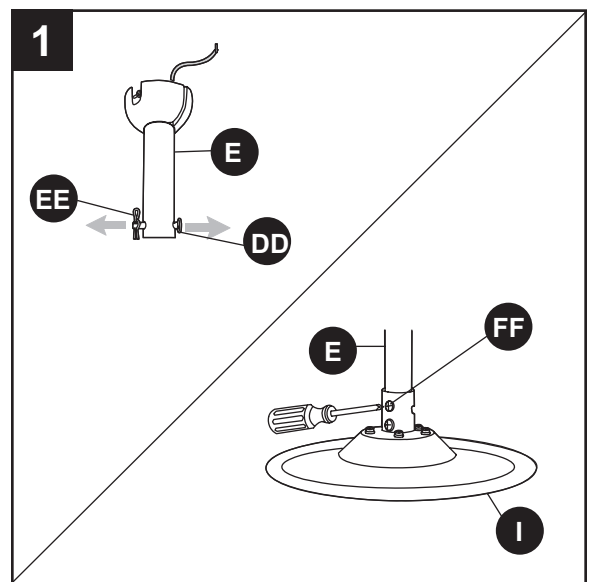
STANDARD OR ANGLE MOUNTING INSTRUCTIONS

1. Remove the downrod pin (DD) and downrod clip (EE) from the downrod (E). Then partially loosen the motor housing set screws (FF) in the yoke at the top of the motor assembly (I).

Hardware Used





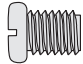
2. Insert the downrod (E) through the canopy (B), canopy cover (C), and yoke cover (D). Thread the wires from the motor housing assembly (I) up through the downrod (E) and hanger ball rubber coupling (S). This will prevent water from running through the down rod.



STANDARD OR ANGLE MOUNTING INSTRUCTIONS

- Slide the downrod (E) into the yoke of the motor assembly (I), align the holes, and re-install the downrod clip (EE) and downrod pin (DD). Then re-tighten the motor housing set screws (FF) and slide the yoke cover (D) down until it rests on top of the motor assembly (I).

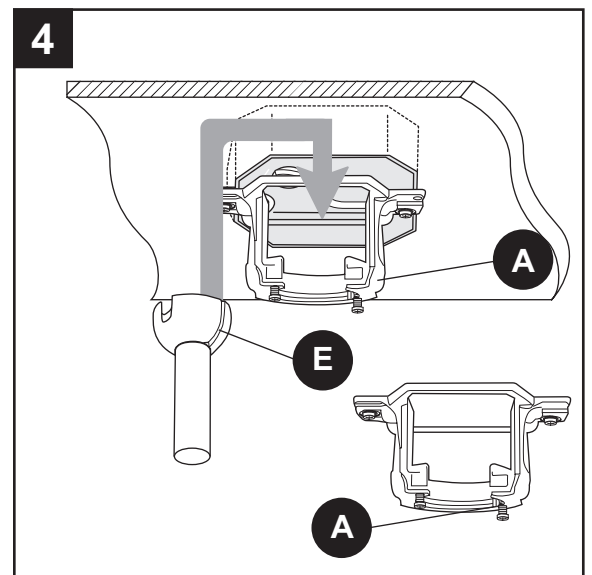
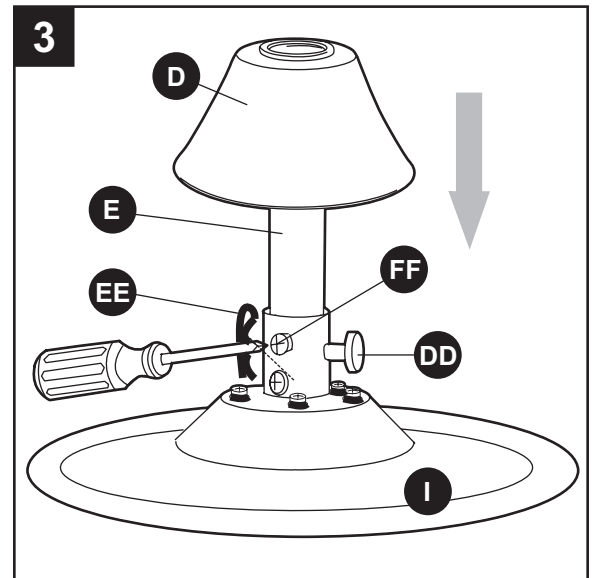
Hardware Used

DD	Downrod Pin		x 1
EE	Downrod Clip		x 1
FF	Motor Housing Set Screw		x 2

- Install the hanger ball portion on the top of the downrod (E) into the mounting bracket (A) opening. Rotate the fan until the slot on the hanger ball engages the tab on the mounting bracket (A).

! WARNING: Be careful when aligning the tab to the slot! If not fully engaged, there is a possibility of the fan falling, which may result in serious injury or death.

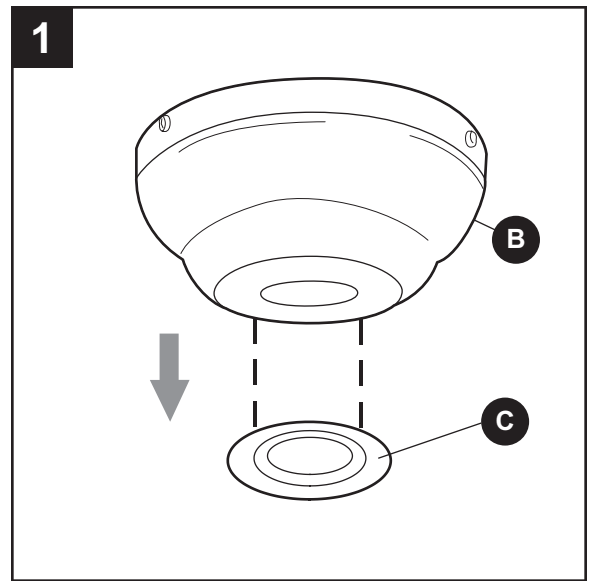
Proceed to the Wiring section of this manual.



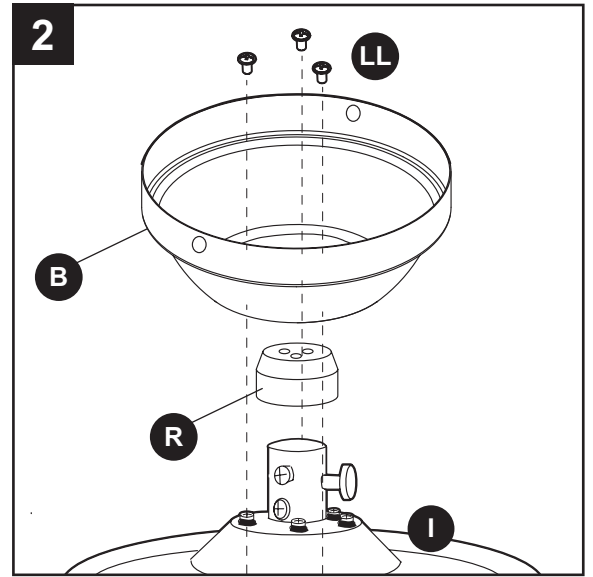
CLOSEMOUNT INSTRUCTIONS

1. Remove the canopy cover (B) from the bottom of the canopy (C).

Helpful Hint: Closemount-style mounting is more suitable for ceilings lower than 8 ft. (2.44 m) high. The downrod, hanging ball, and canopy cover are not used in this type of installation.

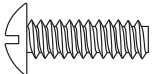


2. Place the adaptor rubber coupling (R) over the yoke of the motor assembly (I). Align the canopy (B) with the holes in the top of the motor assembly (I). Secure the canopy (B) to the top of the motor assembly (I) with the closemount screws (LL).



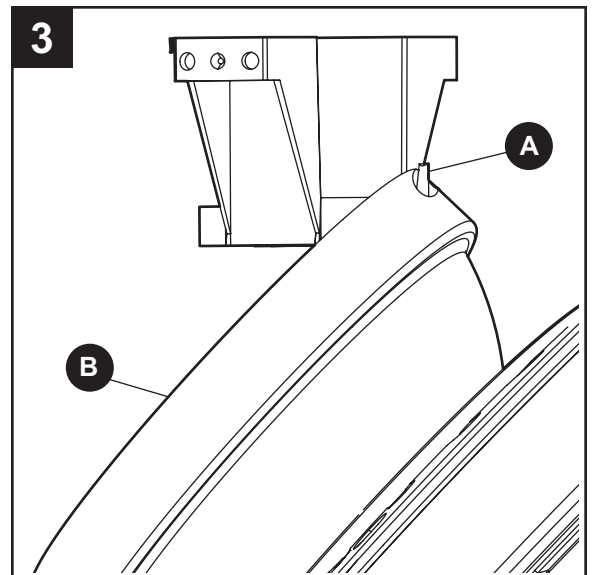
Note: For outdoor installation, the closemount screws (LL) are pre-installed at the factory.

Hardware Used

LL Closemount Screw  x 3

3. Raise the fan and place the canopy (B) on the mounting bracket (A) hook for wiring.

Proceed to the Wiring section of this manual.



WIRING

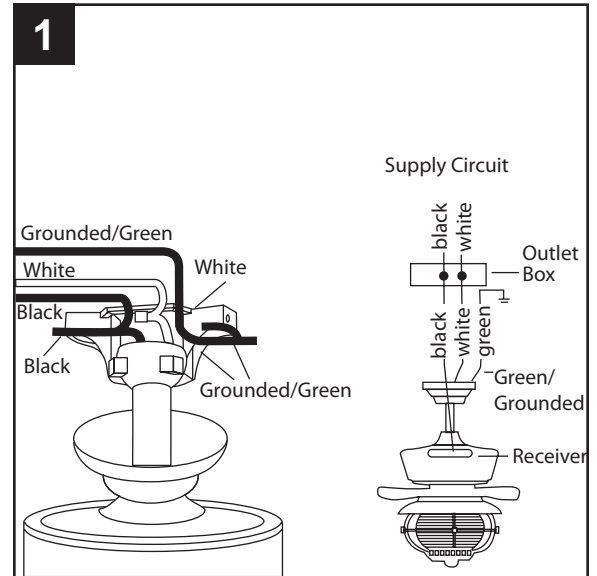
⚠ WARNING: To reduce the risk of fire, electrical shock, or personal injury, wire connectors provided with this fan are designed to accept only one 12-gauge house wire and two lead wires from the fan. If your house wire is larger than 12 gauges and there is more than one house wire to connect to the two fan lead wires, consult an electrician for the proper size wire connectors to use.

⚠ WARNING: If the house wires are different colors than referred to in the following step, stop immediately. A professional electrician is recommended to determine the correct wiring scheme.

CAUTION: Be sure the outlet box is properly grounded or that a Ground (Green or Bare) wire is present.

1. Connect the Black wire from the fan to the Black wire from the ceiling. Connect the White wire from the fan to the White wire from the ceiling. Connect all Ground (Green) wires together from the fan to the Bare/Green wire from the ceiling. Secure all wiring connections together with wire connectors (AA).

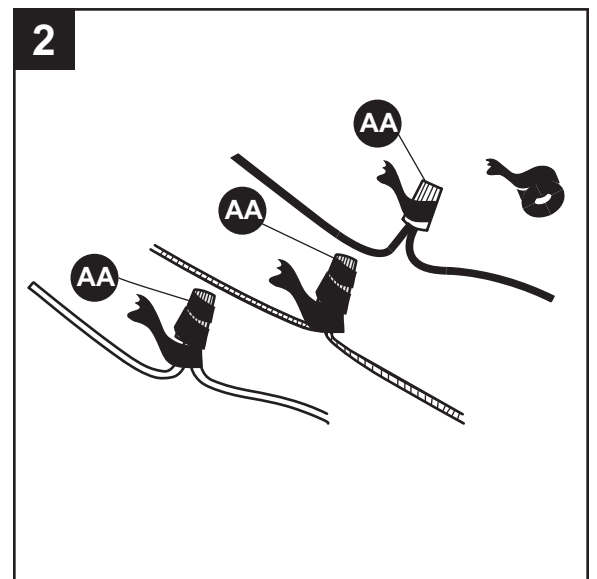
Note: The Black wire is hot power for the fan. The White wire is common for the fan and the light kit. The Green wire is the grounded wire. If house wires are different colors than referred to above, stop immediately. It is recommended a professional electrician determines the proper wiring.



Hardware Used

AA Wire Connector  x 4

2. Wrap electrical tape (not included) around each individual wire connector (AA) down to the wire.

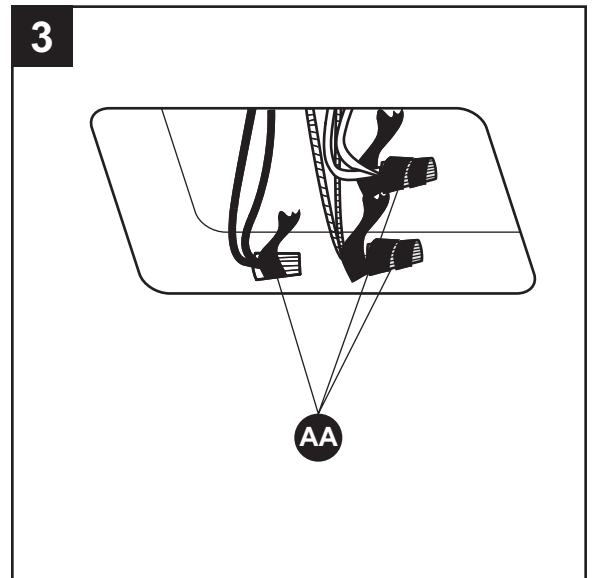


WIRING

3. Turn the spliced/taped wires upward and gently push the wires and wire connectors (AA) into the outlet box.



WARNING: Ensure that no bare wire or wire strands are visible after making connections. Place the Green and White wire connections on opposite sides of the outlet box from the Black and Blue (if applicable) wire connections.

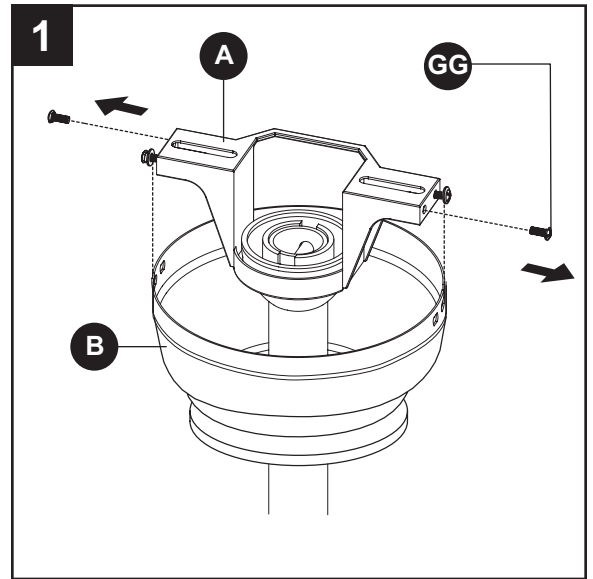


FINAL INSTALLATION

1. Remove the two mounting bracket screws (GG) from the mounting bracket (A) and loosen the other two screws about 1/4 in. Then align the canopy (B) up to the ceiling over the loose mounting bracket screws (GG). Place the keyholes of the canopy (B) into the screws (GG) and rotate clockwise.

Hardware Used


GG Mounting Bracket Screw  x 4

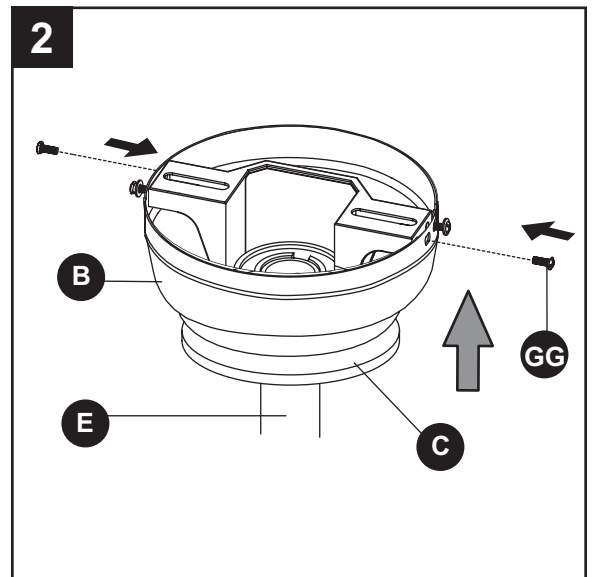


2. Secure the canopy (B) with the previously removed mounting bracket screws (GG) and securely tighten all four screws (GG). Push the canopy cover (C) up into the bottom of the canopy (B) until it is locked.

Note: Closemount installation will not have the downrod (E) and canopy cover (C).

Hardware Used

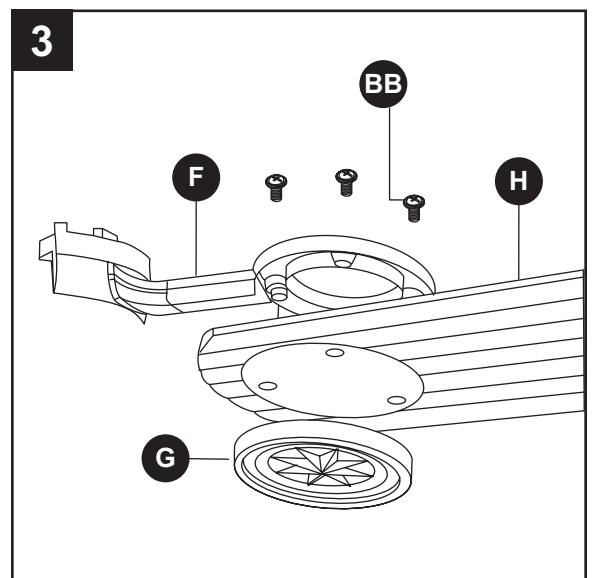
GG Mounting Bracket Screw  x 4



3. Place the blade bracket (F) onto the blade (H). Place the blade medallion (G) into the three holes on the opposite side of the blade (H). Secure the blade bracket (F) and blade medallion (G) to the blade (H) using the blade screws (BB). Repeat this step for the remaining blades (H).

Hardware Used


BB Blade Screw  x 15

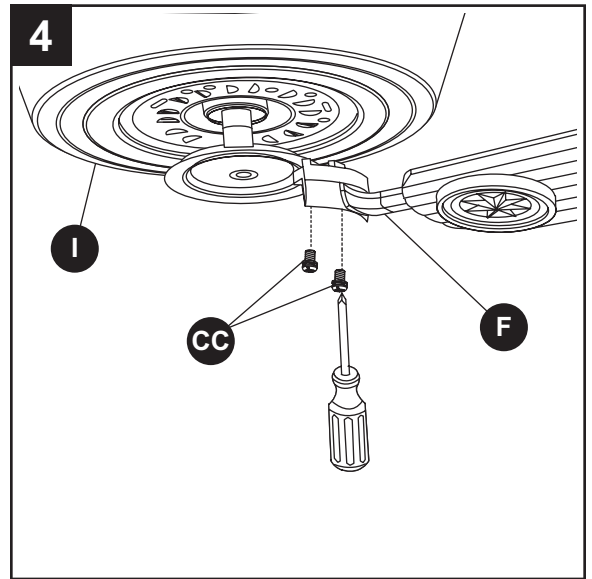


FINAL INSTALLATION

4. Fasten the blade assembly to the motor assembly (I) using two motor screws (CC) and tighten securely. Repeat this step for the remaining blade assemblies.

Hardware Used

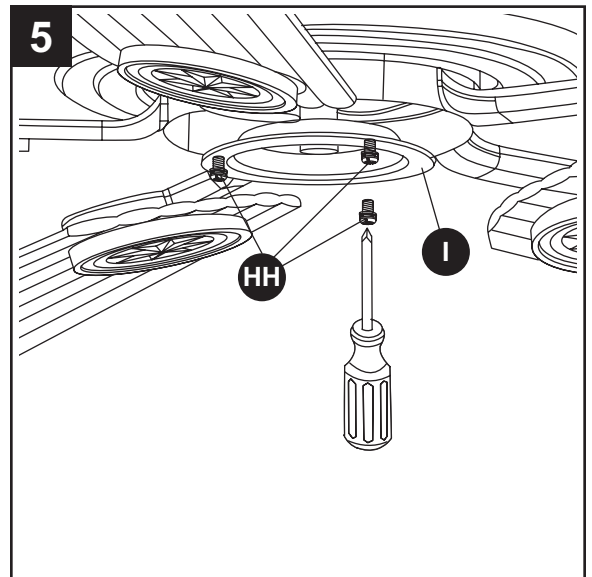
CC Motor Screw  x 10



5. Remove one of the three fitter plate screws (HH) from the fitter plate portion of the motor assembly (I) and save. Loosen but do not remove the other two fitter plate screws (HH).

Hardware Used

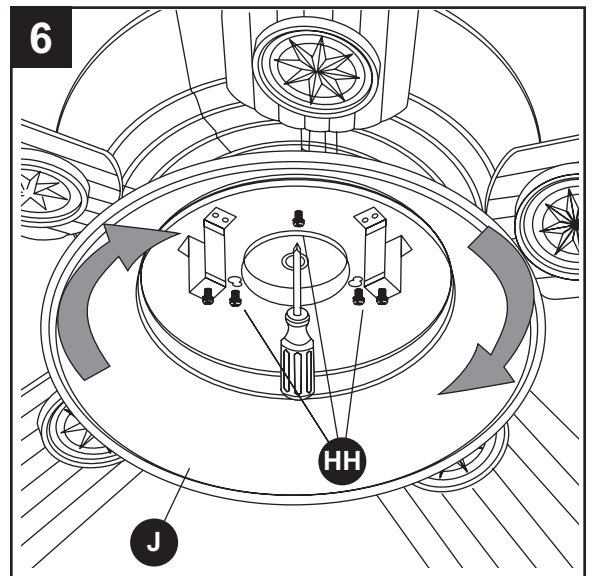
HH Fitter Plate Screw x 3



6. Align the two key slots in the light pan (J) with the loosened fitter plate screws (HH) from the previous step. Place the light pan (J) over the two screws and turn the light pan (J) clockwise until it locks. Then tighten the two fitter plate screws (HH). Re-install the fitter plate screw (HH) that was removed in the previous step and tighten firmly.

Hardware Used

HH Fitter Plate Screw x 3



FINAL INSTALLATION

- Remove one light pan bracket screw (II) from one of the three brackets below the light pan (J) and save. Loosen but do not remove the other two screws on the other two brackets.

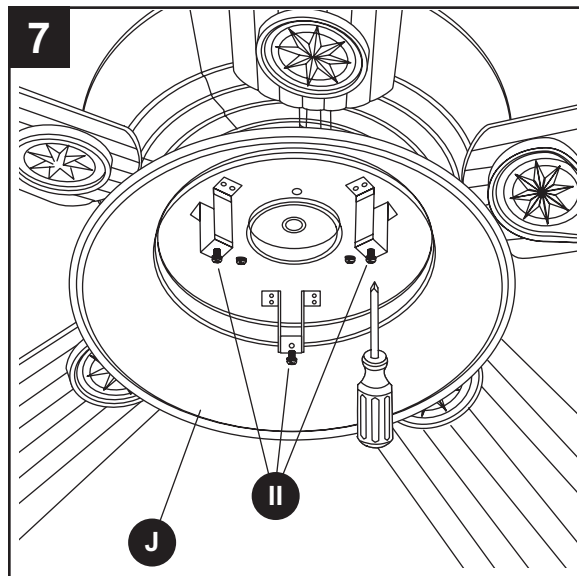
Hardware Used



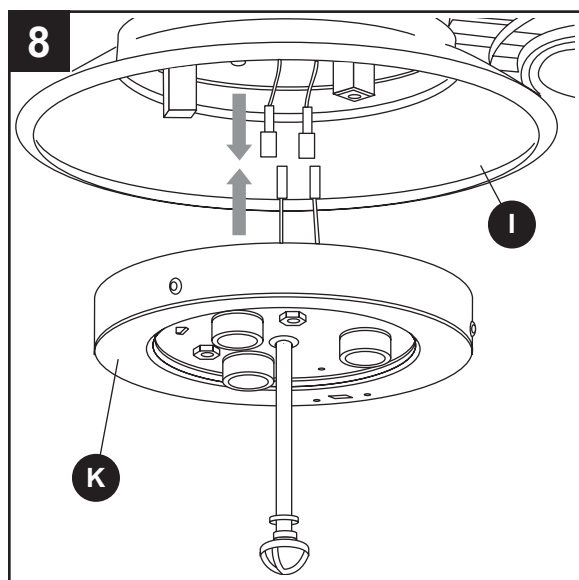
Light Pan Bracket
Screw



x 3



- Connect the blue wire from the motor assembly (I) to the black wire from the light kit (K) and connect the white wire from the motor assembly (I) to the white wire from the light kit (K) by connecting the plugs.



- Align the two key slots in the light kit (K) with the two previously loosened light pan bracket screws (II). Place the light kit (K) over the two screws and turn the light kit (K) clockwise until it locks, then tighten the two light pan bracket screws. Re-install the previously removed light pan bracket screw (II) and tighten firmly.

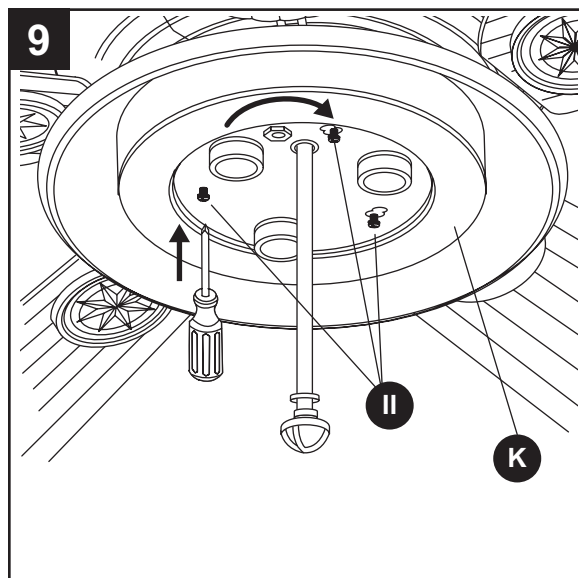
Hardware Used



Light Pan Bracket
Screw




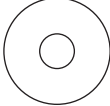


x 3

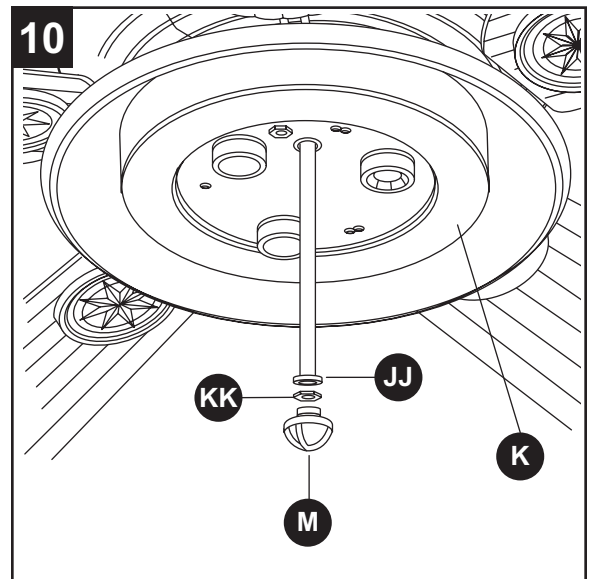


FINAL INSTALLATION

10. Remove the rubber washer (JJ), hex nut (KK), and finial (M) from the light kit (K) and save.

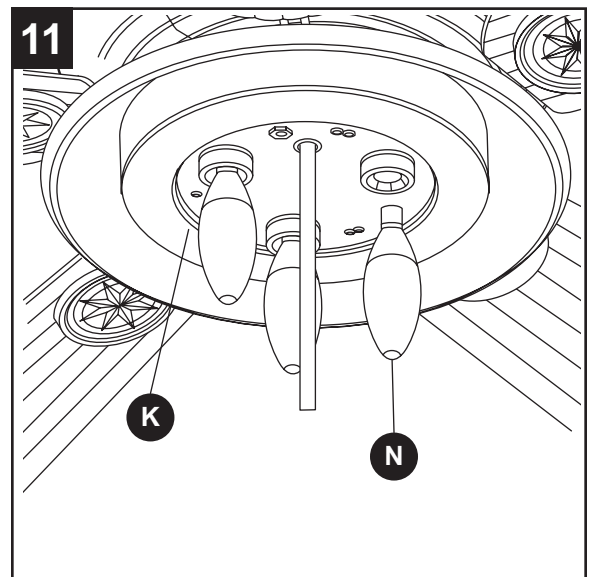
Hardware Used

	Rubber Washer		x 1
	Hex Nut		x 1



11. Install the bulbs (N) into the sockets on the light kit (K).

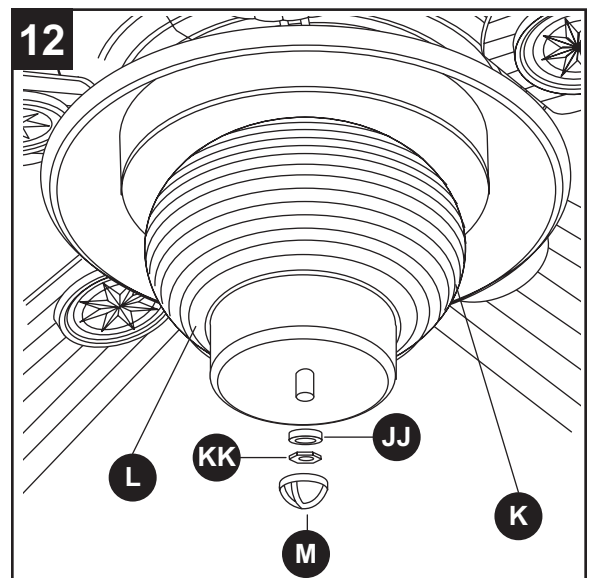
Note: This fan has an energy-saving wattage limiter included in the receiver. If you replace the included 40-watt candelabra-base bulbs with over 190 watts, the fan will automatically turn off. Please ensure the total bulb wattage is always below 190 watts.



12. Raise the glass (L) up against the light kit (K) and secure it with the rubber washer (JJ), hex nut (KK), and finial (M).

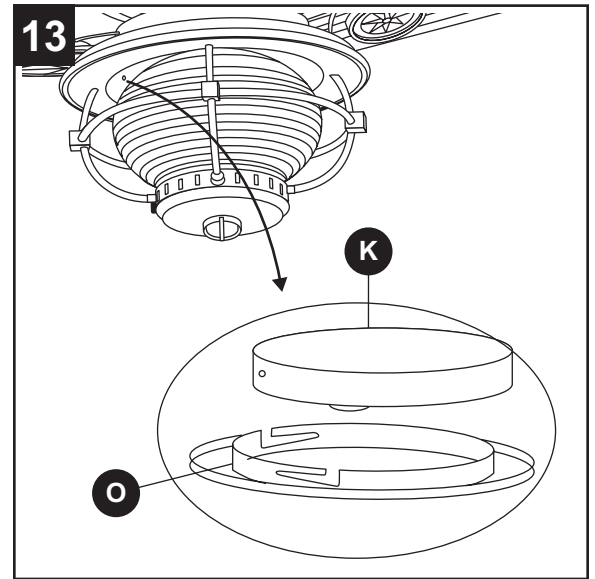
Hardware Used

	Rubber Washer		x 1
	Hex Nut		x 1



FINAL INSTALLATION

13. Align the three indents on the inside of the light frame (O) with the three raised dimples on the light kit (K). Turn the light frame (O) clockwise to hold the light frame on the light kit (K).



OPERATING INSTRUCTIONS

1. Use the fan reverse switch, located on the top of the motor assembly (I), to optimize your fan for seasonal performance.

A ceiling fan will allow you to raise your thermostat setting in the summer and lower your thermostat setting in the winter without feeling a difference in your comfort.

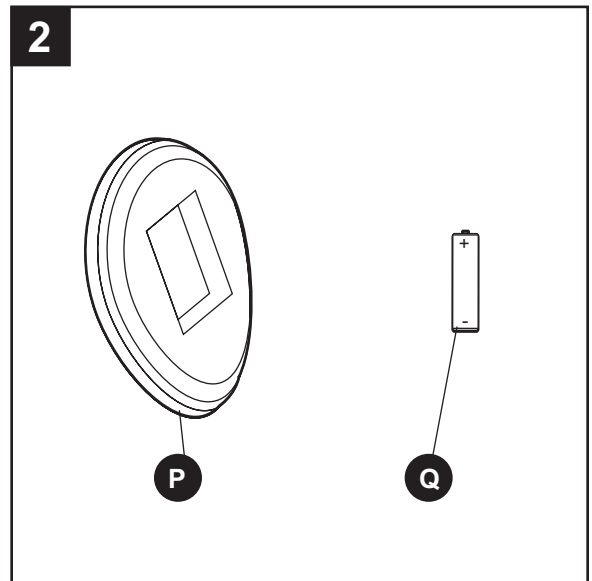
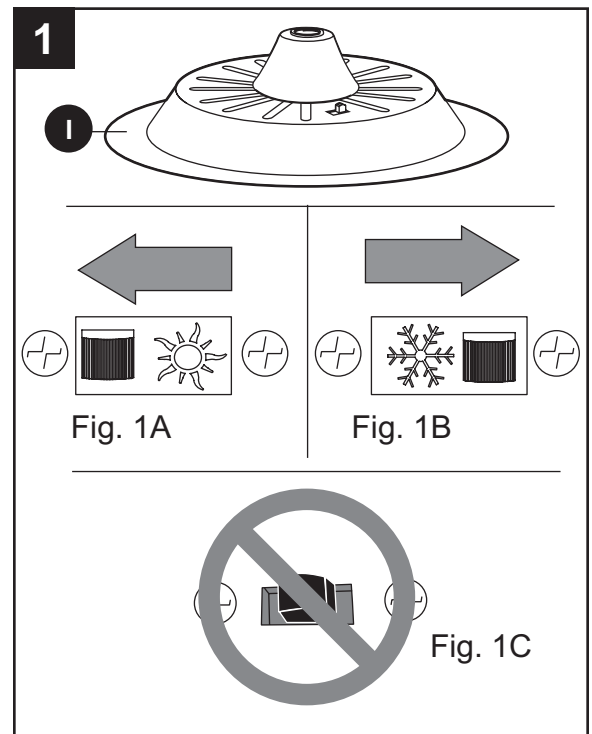
Note: Wait for the fan to stop before moving the reverse switch.

- 1A. In warmer weather, push the reverse switch to the left to display a Sun icon, which will result in downward airflow creating a wind chill effect.
- 1B. In cooler weather, push the reverse switch to the right to display a Snowflake icon, which will result in upward airflow that can help move stagnant, hot air off the ceiling area.

Important: The reverse switch must be set either completely to the right or to the left in order for the fan to function correctly. If the reverse switch is set in the middle position, the fan will not operate. See Fig. 1C.


Note: The receiver is already wired and built into the housing of the fan at the factory. You do not need to assemble the receiver.

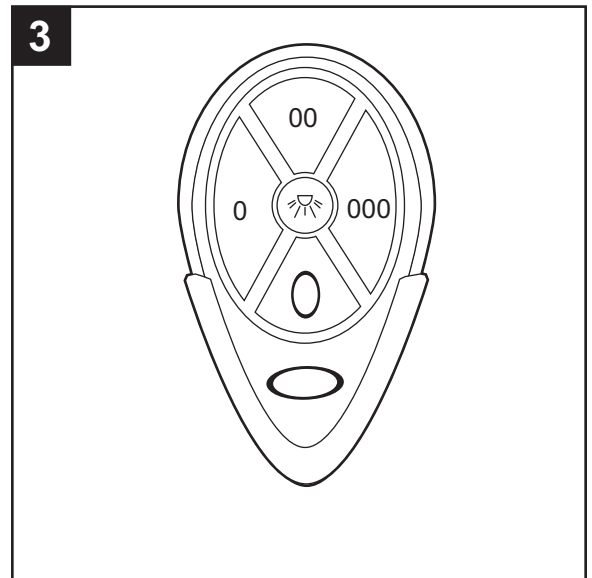
2. Installing the Battery:
Remove the battery cover from the remote control (P) and install the 12 V battery (Q). Ensure the plug is fully attached to the battery (Q) and replace the battery cover.



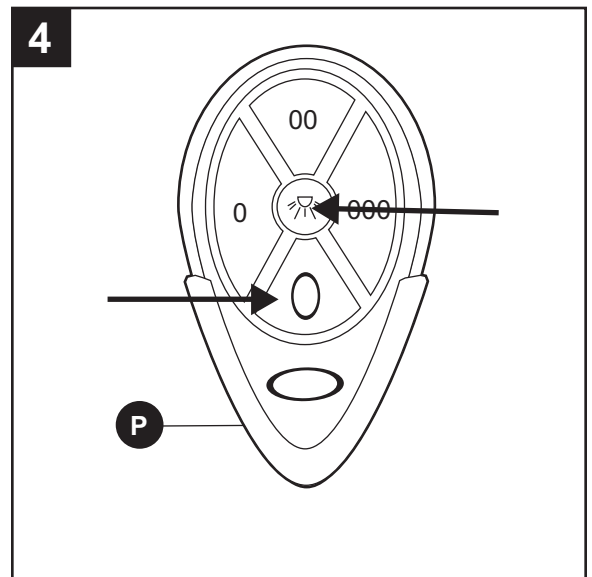
OPERATING INSTRUCTIONS

3. Control the fan and lights.

0	Low Speed
00	Medium Speed
000	High Speed
0	Turns the fan off
	<p>Turns the fan on</p> <p>Press this button quickly to turn the lights on or off.</p> <p>To dim the lights, press and hold this button. Release the button when the light is at the desired level.</p> <p>The receiver stores the light setting when the light is turned off. When the light is turned on again, it starts with the most recent setting.</p>



4. Your remote is pre-programmed at the factory and will function correctly out of the box. However, if it does need to be re-paired to the fan, do the following: Within 30 seconds after turning the fan on, press and hold the 0 and Light button in the center of the remote control (P) at the same time for 5 seconds. The fan light will blink when the pairing is complete.



CARE AND MAINTENANCE

At least twice each year, lower the canopy to check the downrod assembly, and then tighten all screws on the fan. Clean the motor housing with only a soft brush or lint-free cloth to avoid scratching the finish. Clean the blades with a lint-free cloth. You may occasionally apply a light coat of furniture polish to wood blades for added protection.

Important: Shut off the main power supply before you begin any maintenance task. Do not use water or a damp cloth to clean the fan.

TROUBLESHOOTING

PROBLEM	POSSIBLE CAUSE	CORRECTIVE ACTION
The fan does not move.	<ol style="list-style-type: none"> 1. The reverse switch is not engaged. 2. The wall switch is turned off. 3. The power is off or the fuse (breaker) is blown. 4. There is a faulty wire connection. 5. The remote control battery power is off. 6. The dip switch settings are incorrect in the remote control. 	<ol style="list-style-type: none"> 1. Firmly push the reverse switch to either the left or right. 2. Make sure the wall switch is turned on. 3. Turn the power on or check the fuse (breaker). 4. Turn the power off and check all connections at the ceiling outlet box. 5. Install a new battery in the remote control. 6. Refer to the Operating Instructions to set the dip switches.
The fan is noisy.	<ol style="list-style-type: none"> 1. The blades are loose. 2. There is a cracked blade. 3. The wall control is not compatible with the fan. 4. The break-in period has not surpassed. 5. The outlet box is not secure. 6. The mounting bracket is not secure. 7. The speed control device is unapproved. 	<ol style="list-style-type: none"> 1. Check and tighten all screws that hold the fan blades to the blade arms and the motor. 2. Replace the cracked blade. 3. Do not use a full range dimmer switch to control the fan speed. 4. Run the fan continuously for 24 - 48 hours on medium or high speed for a "break in" period. 5. Ensure the outlet box is secured to the building structure. 6. Ensure the mounting bracket is secured to the outlet box and that the screws are tight. 7. Replace the speed control device with an approved remote control.

TROUBLESHOOTING

PROBLEM	POSSIBLE CAUSE	CORRECTIVE ACTION
<p>There is excessive wobbling.</p>	<ol style="list-style-type: none"> 1. The blades and/or blade are loose. 2. The blades are unbalanced. 3. The fan mounting is not secure. 4. The fan is too close to the vaulted ceiling. 5. The set screw on the motor housing yoke is loose. 6. The blade arms are incorrectly attached to the blades. 	<ol style="list-style-type: none"> 1. Check and tighten all screws that hold the fan blades to the blade arms and the blade arms to the motor. 2. Switch one blade with a blade from the opposite side. Or balance the fan using a balancing kit (not supplied). 3. Turn off the power. Loosen the canopy and verify that the mounting bracket is secure to the electrical outlet box. The bracket must be flush without movement against the outlet box. 4. Use a longer downrod or move the fan to another location. 5. Lift up the yoke cover and tighten the set screw to the yoke until secure. 6. Reinstall the blades to the blade arms.
<p>The fan operates correctly, but the lights are not working (if applicable).</p>	<ol style="list-style-type: none"> 1. The bulb(s) are not installed correctly. 2. The light kit wire plugs are not connected properly. 3. There is a faulty wire connection. 4. The total power of the light is exceeding 190 W. 	<ol style="list-style-type: none"> 1. Re-install the bulb(s). 2. Ensure that the male and female plugs in the light kit fitter are connected properly. 3. Turn the power off and check all connections at the ceiling outlet box. 4. The fan comes with a 190 W limiter. When the total watts of the lights is over 190 W, the lights do not work. Please replace the bulbs with lower-wattage bulbs.



LIFETIME LIMITED WARRANTY

The manufacturer warrants this fan to be free from defects in workmanship and materials present at time of shipment from the factory for a lifetime from the date of purchase by the original purchaser. The retailer also warrants that all other fan parts, excluding any glass or plexiglass blades, to be free from defects in workmanship and material at the time of shipment from the factory for a period of one year after the date of purchase by the original purchaser. The manufacturer agrees to correct such defects without charge or at its option replace the ceiling fan with a comparable or superior model.

To obtain warranty service, present a copy of the receipt as proof of purchase. All costs of removing and reinstalling the product are your responsibility. Any damage to any part such as by accident or misuse or improper installation or by affixing any accessories, is not covered by this warranty. The manufacturer assumes no responsibility whatsoever for fan installation during the limited lifetime warranty. Any service performed by an unauthorized person will render the warranty invalid.

Due to varying climate conditions, this warranty does not cover any changes in brass finish, including rusting, pitting, corroding, tarnishing or peeling. Brass finishes of this type give their longest useful life when protected from varying weather conditions. Any glass provided with this fan is not covered by the warranty.

Any replacement of defective parts from the ceiling fan must be reported within the first year from the date of purchase. For the balance of the warranty, call our customer service department for return authorization and shipping instructions so that we may repair or replace the ceiling fan. Any fan or parts returned improperly is the sole responsibility of the purchaser. There is no other expressed warranty. The manufacturer disclaims any and all warranties. The duration of any implied warranty which cannot be disclaimed is limited to the time period as specified in the expressed warranty. The manufacturer shall not be liable for incidental, consequential, or special damages arising out of or in connection with product use or performance except as may otherwise be accorded by law. This warranty gives specific legal rights, and you may also have other rights which vary from state to state.

This warranty supersedes all prior warranties.

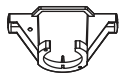
Note: A small amount of “wobble” is normal and should not be considered a defect.



REPLACEMENT PARTS LIST

For replacement parts, call customer service department at 1-800-643-0067, 8 a.m. - 6 p.m., EST, Monday - Thursday, 8 a.m. - 5 p.m., EST, Friday.

PART	DESCRIPTION
A	Mounting Bracket
B	Canopy
C	Canopy Cover
D	Yoke Cover
E	Downrod
F	Blade Bracket
G	Blade Medallion
H	Blade
J	Light Pan
K	Light Kit
L	Glass
O	Light Frame
P	Remote Control
R	Adaptor Rubber Coupling
S	Hanger Ball Rubber Coupling
PP	Hardware Package



A



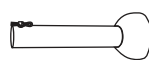
B



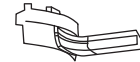
C



D



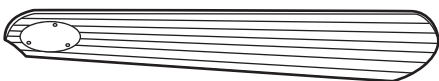
E



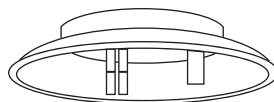
F



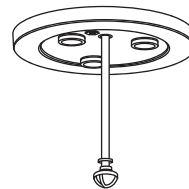
G



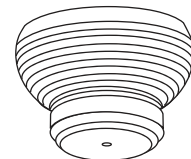
H



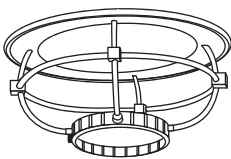
J



K



L



O



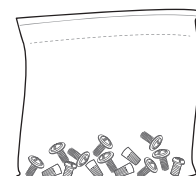
P



R



S



PP

Printed in China

Harbor Breeze® is a registered trademark of LF, LLC. All Rights Reserved.

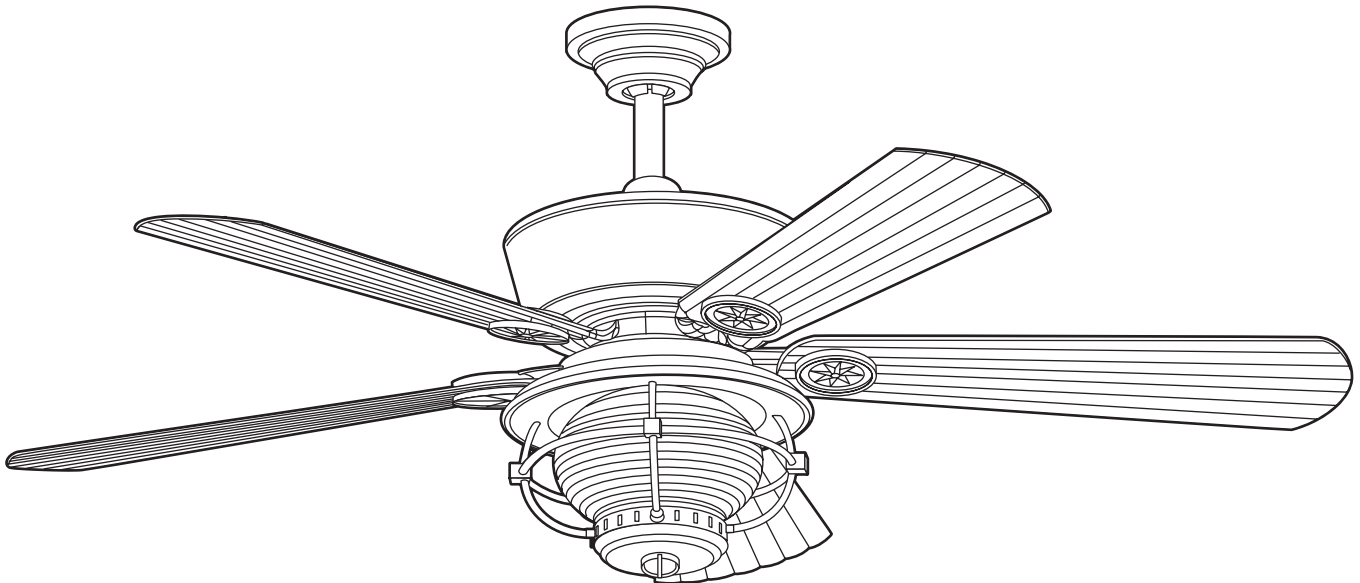


Harbor Breeze® es una marca registrada de LF, LLC.
Todos los derechos reservados.

ARTÍCULO # 0080443

VENTILADOR DE TECHO MERRIMACK DE 132,08 CM

MODELO # 40094



ADJUNTE SU RECIBO AQUÍ

Número de serie _____ Fecha de compra _____



¿Preguntas, problemas, piezas faltantes? Antes de volver a la tienda, llame a nuestro Departamento de Servicio al Cliente al 1-800-643-0067, de lunes a jueves de 8 a.m. a 6 p.m., y los viernes de 8 a.m. a 5 p.m., hora estándar del Este.

Lowes.com/harborbreeze

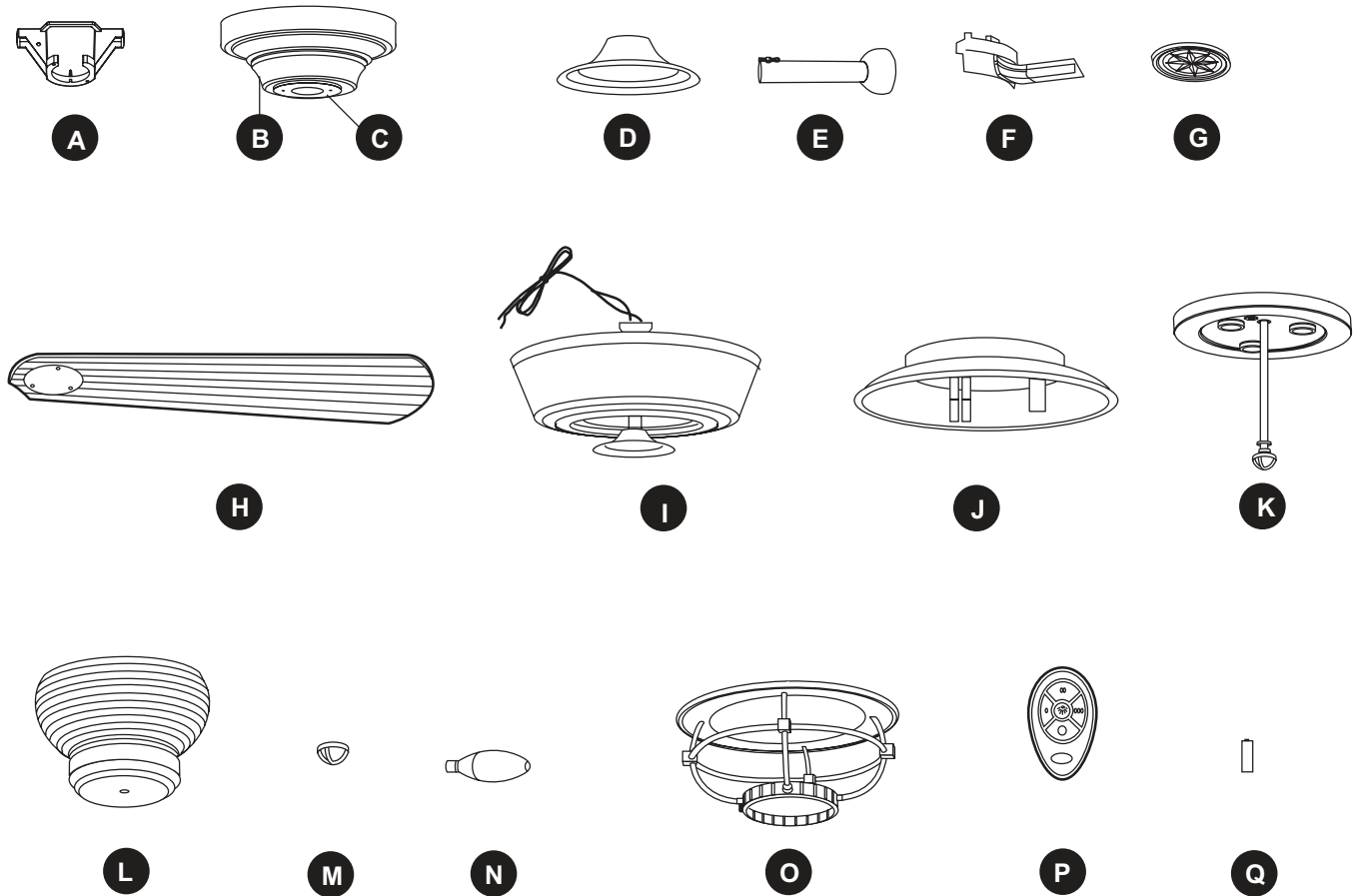


ÍNDICE

Contenido del paquete	27
Aditamentos.	28
Información de seguridad	29
Preparación	30
Instrucciones de ensamblaje	31
Instrucciones estándares y de montaje en ángulo	33
Instrucciones para montaje cerrado	35
Cableado	36
Instalación final	38
Instrucciones de funcionamiento	43
Cuidado y mantenimiento	45
Solución de problemas	45
Garantía limitada de por vida	47
Piezas de repuesto	48



CONTENIDO DEL PAQUETE



PIEZA	DESCRIPCIÓN	CANTIDAD
A	Soporte de montaje	1
B	Cubierta	1
C	Cubierta de la base (preensamblada en la base [B])	1
D	Cubierta de la horquilla	1
E	Varilla	1
F	Abrazadera del aspa	5
G	Medallón del aspa	5
H	Aspa	5
I	Ensamble del motor	1
J	Bandeja de luz	1
K	Kit de iluminación	1
L	Vidrio	1
M	Remate (preensamblado en el kit de iluminación [K])	1
N	Bombilla	3
O	Marco de luz	1
P	Control remoto	1
Q	Batería	1

ADITAMENTOS

AA



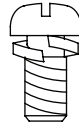
Conector de cables
Cant. 4

BB



Tornillo del aspa
Cant.
15 y 1 adicional

CC



Tornillo del motor
(preensablado en el
ensamble del motor [I])
Cant. 10 y 1 adicional

DD



Pasador de la varilla
(preensablado
en la varilla [E])
Cant. 1

EE



Sujetador
de la varilla
(preensablado
en la varilla [E])
Cant. 1

FF



Tornillo de ajuste de
la carcasa del motor
(preensablado
en el ensamble
del motor [I])
Cant. 2

GG



Tornillo para
soporte de montaje
(preensablado
en el soporte
de montaje [A])
Cant. 4

HH



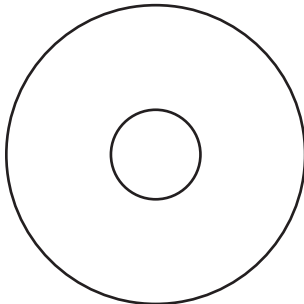
Tornillo de la
placa de soporte
(preensablado en el
ensamble del motor [I])
Cant. 3

II



Tornillo de la
abrazadera de la
bandeja de luz
(preensablado en la
bandeja de luz [J])
Cant. 3

JJ



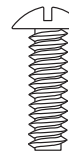
Arandela de goma
(preensablada
en el kit de
iluminación [K])
Cant. 1

KK



Tuerca hexagonal
(preensablada en el
kit de iluminación [K])
Cant. 1

LL





Tornillo de
montaje cerrado
(preensablado en la
carcasa del motor [I])
Cant. 3 y 1 adicional


INFORMACIÓN DE SEGURIDAD


Lea y comprenda completamente este manual antes de intentar ensamblar, usar o instalar el producto.


- Antes de comenzar a instalar el ventilador, desconecte la alimentación eléctrica; para esto retire los fusibles o coloque el interruptor de circuito en la posición de apagado.
- Asegúrese de que todas las conexiones eléctricas cumplan con los códigos y ordenanzas locales, el National Electrical Code (Código Nacional de Electricidad) y la norma ANSI/NFPA 70-199. Si no está familiarizado con la instalación del cableado eléctrico, contrate a un electricista calificado o consulte un manual de cableado para hacerlo usted mismo.
- Asegúrese de que en el lugar de instalación que elija se pueda establecer una distancia mínima de 2,13 m desde las aspas hasta el piso, y al menos 76,20 cm desde los extremos de las aspas hasta cualquier obstáculo.
- El peso neto de este ventilador es: 10,57 kg.


 **PELIGRO:** Si utiliza una caja de salida existente, asegúrese de que esté bien sujeta a la estructura del edificio y que pueda sostener el peso del ventilador. El incumplimiento de dicho paso podría provocar lesiones graves o la muerte. La estabilidad de la caja de salida es fundamental para minimizar el tambaleo y el ruido en el ventilador una vez que la instalación esté completa.


 **ADVERTENCIA:** Para evitar lesiones personales, puede ser necesario usar guantes al manipular las piezas del ventilador con bordes filosos.


 **ADVERTENCIA:** El uso de un regulador de intensidad de rango completo para controlar la velocidad del ventilador provocará un zumbido intenso del ventilador. Para reducir el riesgo de incendios o descargas eléctricas, NO use un regulador de intensidad de rango completo para controlar la velocidad del ventilador.

 **ADVERTENCIA:** Para reducir el riesgo de incendios, descargas eléctricas o lesiones personales, instale el ventilador en una caja de salida marcada como "APTA PARA SOSTENER UN VENTILADOR" y utilice los tornillos de montaje incluidos en la caja de salida. La mayoría de las cajas de salida que se usan comúnmente para sostener ensambles de iluminación no son aptas para sostener un ventilador y puede ser necesario reemplazarlas. Si tiene dudas, consulte a un electricista calificado. Asegure la caja de salida directamente a la estructura del edificio. La caja de salida y su soporte deben ser capaces de sostener el peso del ventilador en movimiento (al menos 15,88 kg). NO use una caja de salida de plástico.

 **ADVERTENCIA:** Para reducir el riesgo de incendios, descargas eléctricas o lesiones personales, los conectores de cables proporcionados con este ventilador están diseñados para soportar solo un cable de la casa de calibre 12 y dos cables conductores del ventilador. Si el cable de su casa es de un calibre superior a 12 o hay más de un cable para conectar los dos cables conductores del ventilador, pregúntele a un electricista cuál es el tamaño adecuado de los conectores de cables que debe utilizar.

 **ADVERTENCIA:** Para reducir el riesgo de incendios o descargas eléctricas, no use el ventilador con dispositivos de control de velocidad para estado sólido ni controle la velocidad del ventilador con un regulador de intensidad de rango completo.

 **ADVERTENCIA:** Para reducir el riesgo de incendios, descargas eléctricas o lesiones personales, no doble los brazos de las aspas al instalarlas, al equilibrarlas o al limpiar el ventilador. No introduzca objetos entre las aspas en movimiento.

 **ADVERTENCIA:** Para reducir el riesgo de lesiones personales, use solo las piezas que se incluyen con este ventilador. El uso de piezas DISTINTAS de aquellas que se incluyen con este ventilador anulará la garantía.



INFORMACIÓN DE SEGURIDAD

PRECAUCIÓN: Lea todas las instrucciones y la información de seguridad antes de instalar el nuevo ventilador. Revise los diagramas de ensamblaje adjuntos.

PRECAUCIÓN: Asegúrese de que la caja de salida cuente con la puesta a tierra adecuada o de que haya un conductor (verde o desnudo) de puesta a tierra.

PRECAUCIÓN: Revise cuidadosamente todos los tornillos, pernos y tuercas del ensamble del motor del ventilador para comprobar que estén seguros.

PREPARACIÓN

Antes de comenzar a ensamblar este producto, asegúrese de tener todas las piezas. Compare todas las piezas con la lista del contenido del paquete y con la lista de aditamentos. No intente ensamblar el producto si falta alguna pieza o si estas están dañadas.

Después de abrir la parte superior de la caja, retire el paquete de aditamentos para montaje de los accesorios de espuma. Luego, quite el motor del ensamble y colóquelo en una superficie suave, como una alfombra, para evitar dañar el acabado.

Tiempo estimado de ensamblaje: 120 minutos

Herramientas necesarias para el ensamblaje (no se incluyen): cinta aislante, destornillador Phillips, pinzas, gafas de seguridad, escalera de tijera y pinzas pelacables.

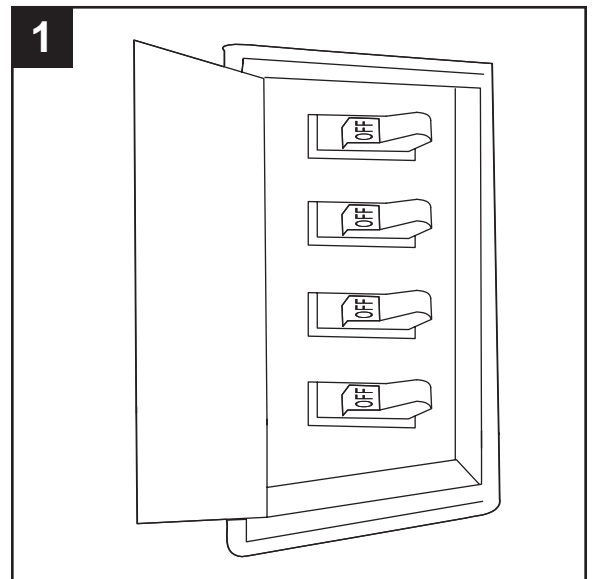
Herramientas útiles (no se incluyen): Luz de prueba de CA, cinta métrica, manual de cableado y pinzas cortacables



INSTRUCCIONES DE ENSAMBLAJE

1. Gire las abrazaderas de circuito y el interruptor de pared hacia los conductores de la línea de suministro del ventilador.

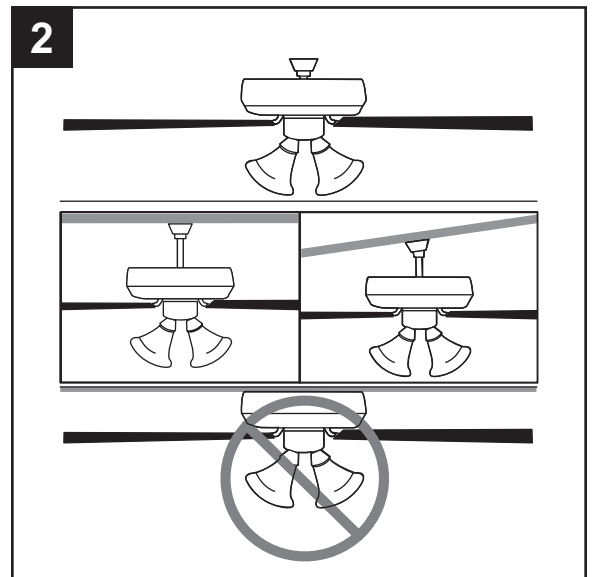
! **PELIGRO:** Si no interrumpe el suministro de electricidad antes de la instalación, pueden producirse lesiones graves o la muerte.



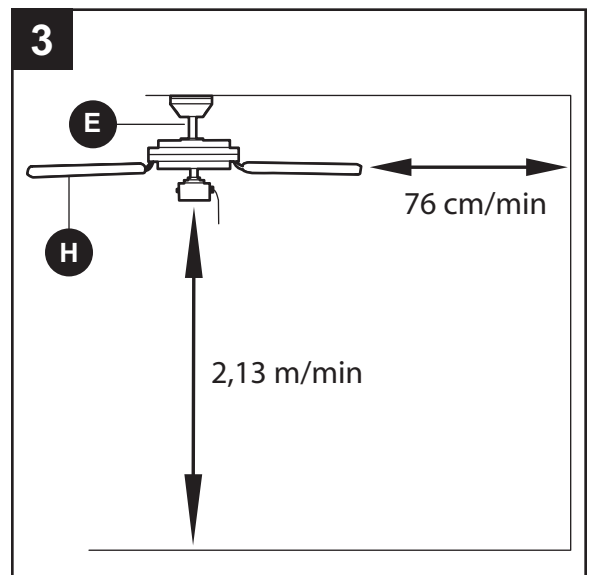
2. Determine el método de instalación que utilizará.

Nota: La instalación de montaje al ras no está disponible para este artículo.

Importante: Si realiza el montaje en ángulo, verifique que el ángulo del techo no tenga una inclinación superior a los 20°.



3. Asegúrese de que las aspas (H) estén al menos a 76,20 cm de toda obstrucción. También verifique el largo de la varilla (E) para asegurarse de que las aspas (H) estén al menos a 2,13 m por encima del piso.

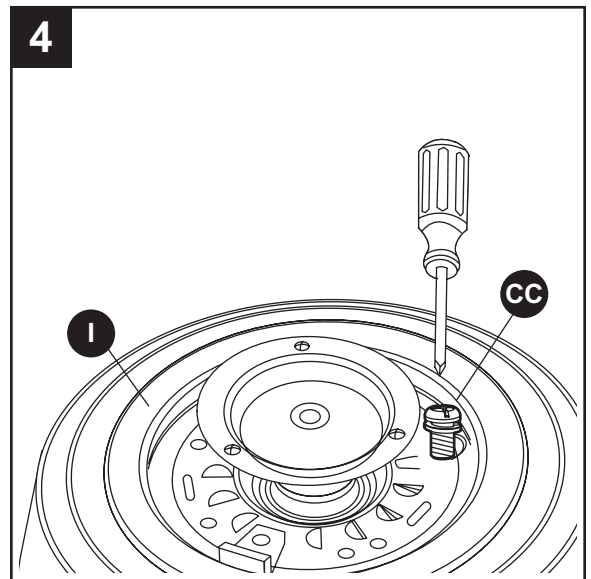
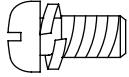


INSTRUCCIONES DE ENSAMBLAJE

4. Retire los tornillos del motor (CC) de la parte inferior del ensamble del motor (I).

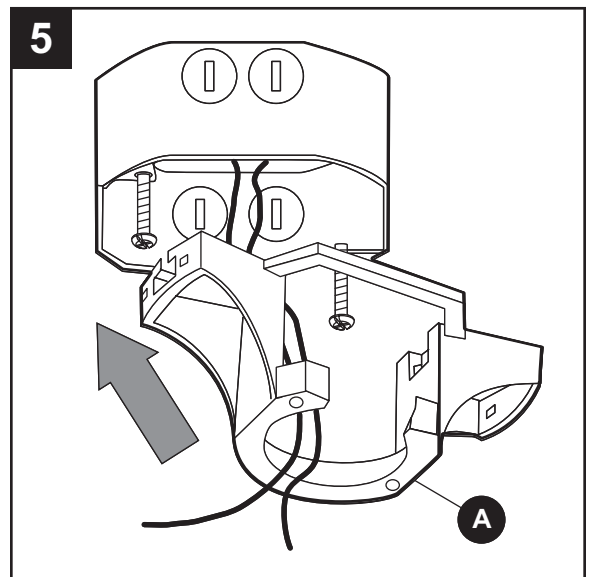
Aditamentos utilizados

CC Tornillo del motor x 10



5. Instale el soporte de montaje (A) en la caja de salida, deslizando el soporte de montaje (A) sobre los dos tornillos de montaje que incluye la caja de salida. Apriete firmemente los tornillos de montaje.

Importante: Si realiza el montaje en ángulo, asegúrese de que el extremo abierto del soporte de montaje (A) esté instalado en dirección hacia el techo.

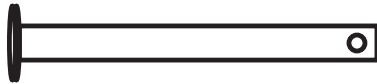


INSTRUCCIONES ESTÁNDARES Y DE MONTAJE EN ÁNGULO

1. Retire el pasador de la varilla (DD) y el sujetador de la varilla (EE) de la varilla (E). Luego afloje parcialmente los tornillos de ajuste de la carcasa del motor (FF) que se encuentran en la horquilla de la parte superior del ensamblaje del motor (I).

Aditamentos utilizados

DD Pasador de la varilla x 1



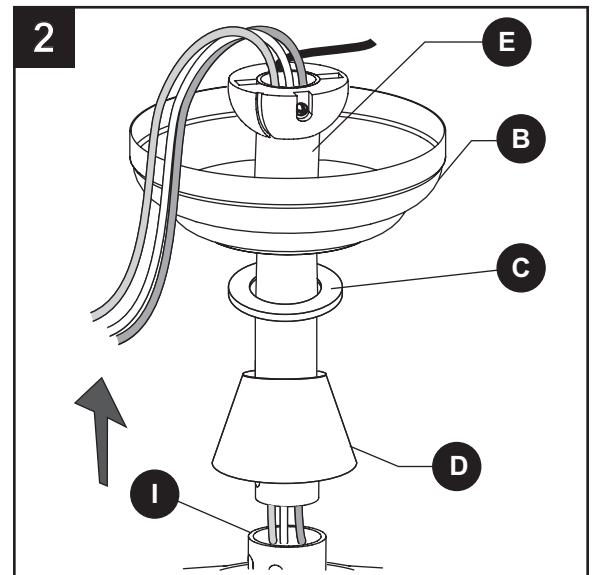
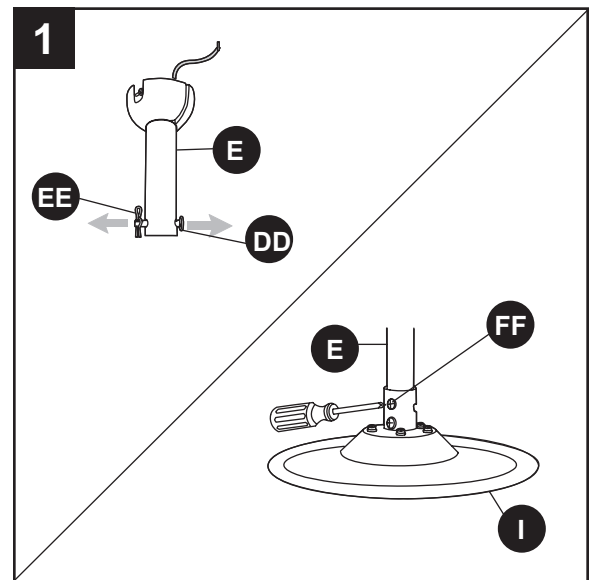
EE Sujetador de la varilla x 1



FF Tornillo de ajuste de la carcasa del motor x 2

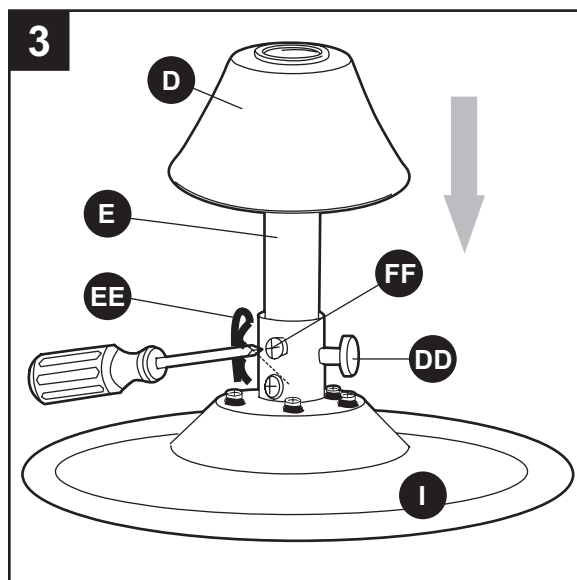


2. Coloque la varilla (E) a través de la base (B), la cubierta de la base (C) y la cubierta de la horquilla (D). Enrosque los cables desde el ensamblaje de carcasa del motor (I) a través de la varilla (E).



INSTRUCCIONES ESTÁNDARES Y DE MONTAJE EN ÁNGULO

3. Deslice la varilla (E) por la horquilla del ensamblaje del motor (I), alinee los orificios y vuelva a instalar el sujetador (EE) y el pasador (DD) de la varilla. Luego vuelva a apretar los tornillos de ajuste de la carcasa del motor (FF) y deslice la cubierta de la horquilla (D) hacia abajo hasta que quede sobre el ensamblaje del motor (I).



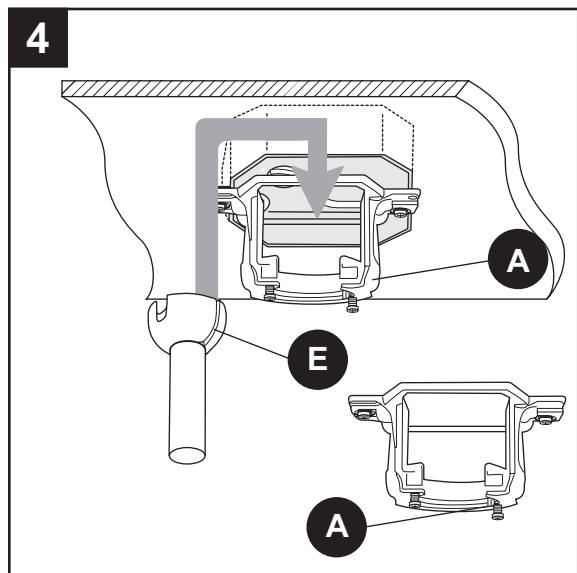
Aditamentos utilizados



4. Instale la parte superior de la varilla que posee la bola para colgar (E) dentro de la abertura del soporte de montaje (A). Gire el ventilador hasta que la ranura de la bola para colgar se enganche con la lengüeta del soporte de montaje (A).

! **ADVERTENCIA:** Tenga cuidado cuando alinee la lengüeta con la ranura. Si no calza bien, es posible que el ventilador se caiga, lo que podría provocar lesiones graves o la muerte.

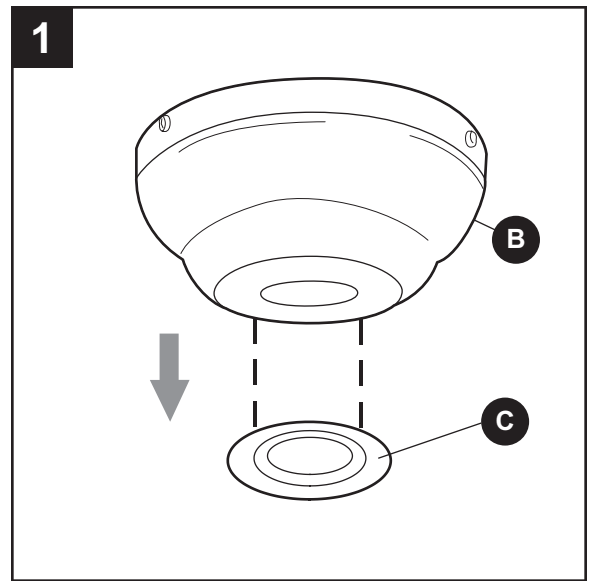
Continúe con la sección "Cableado" de este manual.



INSTRUCCIONES PARA MONTAJE CERRADO

1. Retire la cubierta de la base (B) de la parte inferior de la base (C).

Consejo útil: El estilo de montaje cerrado es más adecuado para los techos de menos de 2,44 m de alto. La varilla, la bola para colgar y la cubierta de la base no se utilizan en este tipo de instalación.

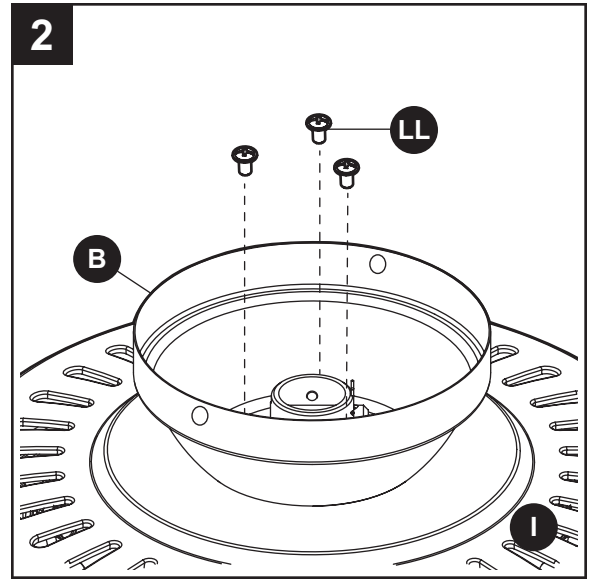
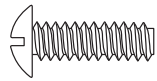


2. Alinee la base (B) con los orificios de la parte superior del ensamblaje del motor (I). Fije la base (B) a la parte superior del ensamblaje del motor (I) con los tornillos de montaje cerrado (LL).

Nota: Para la instalación en exteriores, los tornillos de montaje cerrado (LL) se preinstalan en la fábrica.

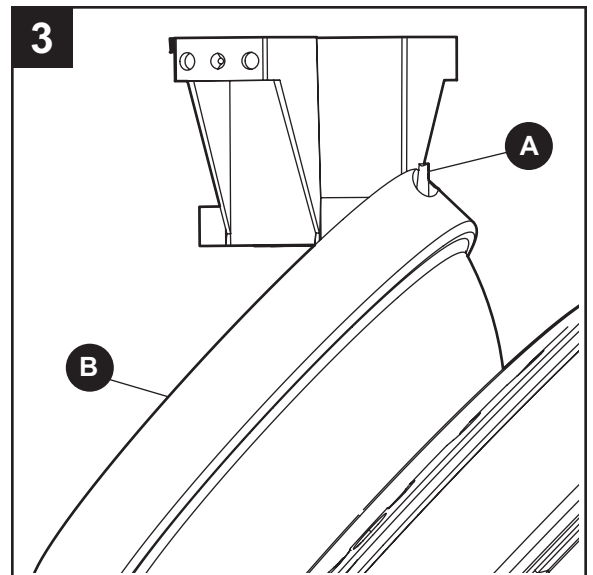
Aditamentos utilizados

LL Tornillo de montaje cerrado x 3



3. Levante el ventilador y coloque la base (B) en el gancho del soporte de montaje (A) para cablear.

Continúe con la sección "Cableado" de este manual.



N CABLEADO

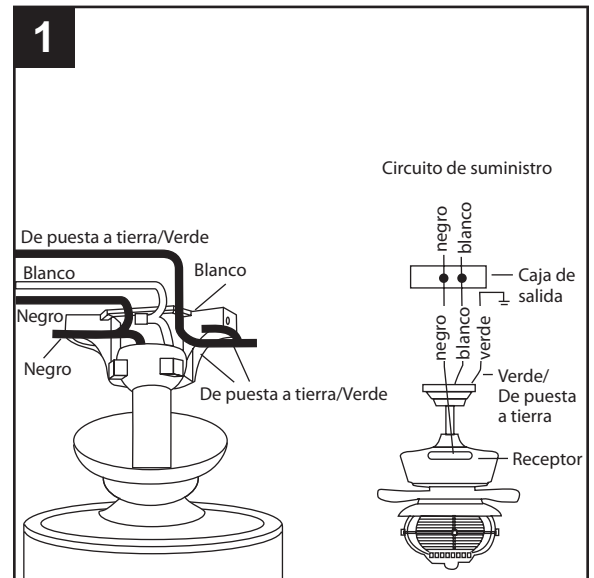
⚠ ADVERTENCIA: Para reducir el riesgo de incendios, descargas eléctricas o lesiones personales, los conectores de cables proporcionados con este ventilador están diseñados para soportar solo un conductor de la casa de calibre 12 y dos cables conductores del ventilador. Si el cable interior es de un calibre superior a 12 o hay más de un cable interior para conectar los dos cables conductores del ventilador, pregúntele a un electricista cuál es el tamaño adecuado de los conectores de cables que debe utilizar.

⚠ ADVERTENCIA: Si los colores de los cables interiores no coinciden con los colores que se mencionan en el siguiente paso, deténgase de inmediato. Se recomienda que un electricista profesional determine el esquema de cableado adecuado.

PRECAUCIÓN: Asegúrese de que la caja de salida cuente con la puesta a tierra adecuada o de que haya un conductor (verde o desnudo) de puesta a tierra.

1. Conecte el cable negro del ventilador al cable negro del techo. Conecte el cable blanco del ventilador al cable blanco del techo. Conecte todos los cables de tierra (verdes) juntos desde el ventilador al cable desnudo o verde del techo. Asegure todas las conexiones del cableado junto con los conectores de cable (AA).

Nota: El cable negro le proporciona energía al ventilador. El cable blanco es el cable común para el ventilador y el kit de iluminación. El cable verde es el cable de tierra. Si los cables interiores son de color diferente a los mencionados anteriormente, deténgase de inmediato. Se recomienda que un electricista profesional determine el cableado adecuado.



Aditamentos utilizados

AA

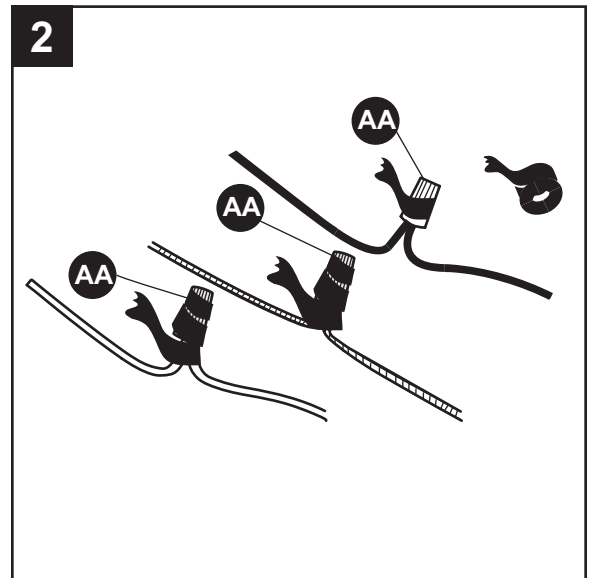
Conector de cables



x 4

CABLEADO

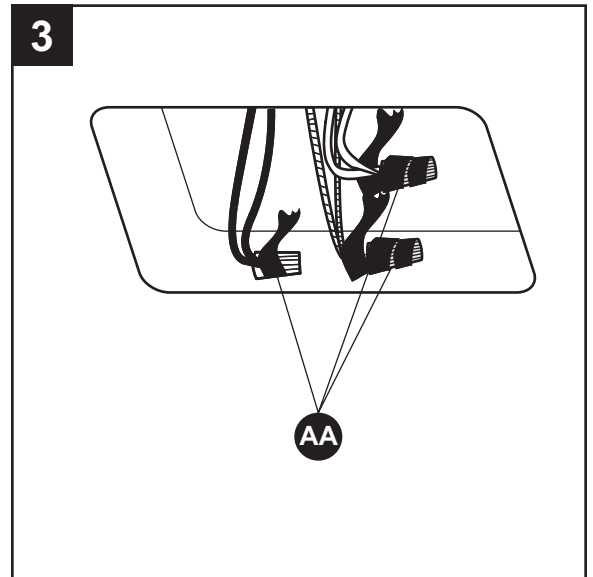
2. Cubra con cinta aislante (no se incluye) cada conector de cables individual (AA) hacia abajo del cable.



3. Gire los cables empalmados o cubiertos con cinta hacia arriba y empuje suavemente los cables y los conectores de cables (AA) hacia dentro de la caja de salida.



ADVERTENCIA: Asegúrese de que no haya conductores desnudos ni filamentos de cables visibles después de realizar las conexiones. Coloque las conexiones de cables verde y blanco en el lado opuesto de la caja de salida con respecto a las conexiones de cables negro y azul (si corresponde).

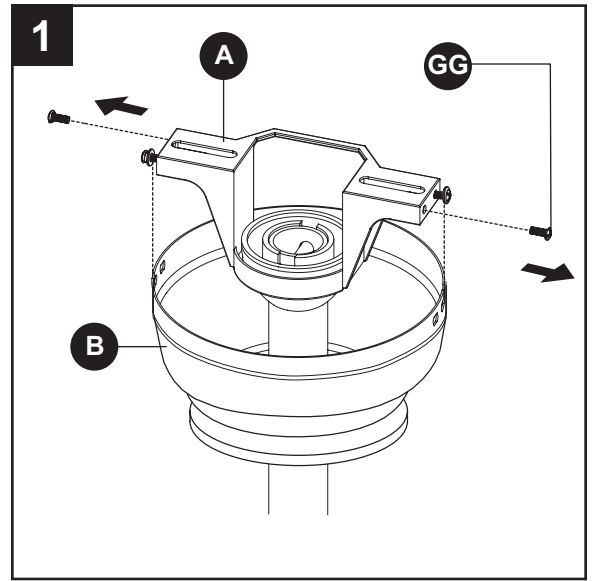


INSTALACIÓN FINAL

1. Retire los dos tornillos para soporte de montaje (GG) del soporte de montaje (A) y afloje los otros dos tornillos aproximadamente 6,35 mm. Luego, alinee la base (B) hasta el techo sobre los tornillos sueltos del soporte de montaje (GG). Coloque los orificios principales de la base (B) en los tornillos (GG) y gírelos en dirección de las manecillas del reloj.

Aditamentos utilizados

GG	Tornillo para soporte de montaje		x 4
-----------	----------------------------------	---	-----

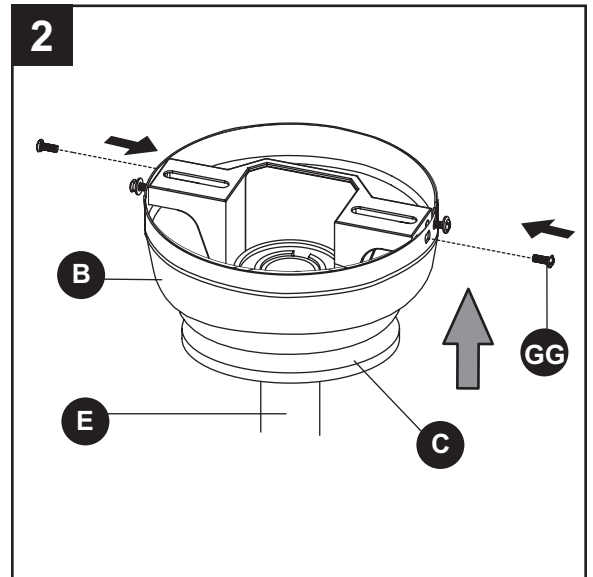


2. Asegure la base (B) con los tornillos del soporte de montaje (GG) que retiró anteriormente y apriete firmemente los cuatro tornillos (GG). Presione la cubierta de la base (C) hacia arriba hacia el fondo de la base (B) hasta que esté asegurada.

Nota: La instalación de montaje cerrado no tiene la varilla (E) ni la cubierta de la base (C).

Aditamentos utilizados

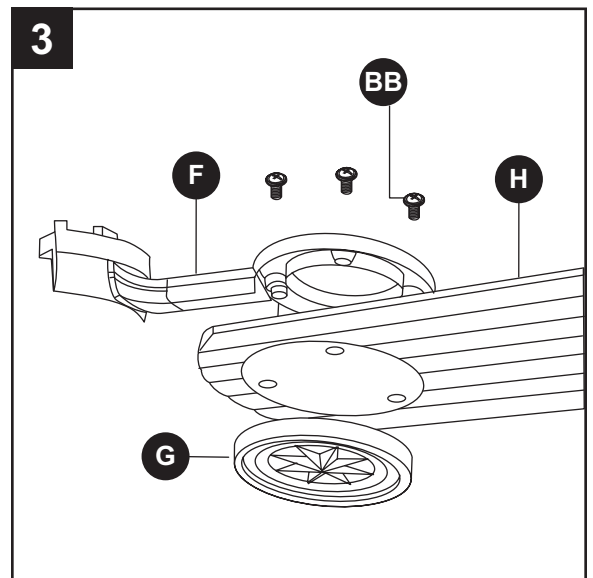
GG	Tornillo para soporte de montaje		x 4
-----------	----------------------------------	---	-----



3. Coloque la abrazadera del aspa (F) en el aspa (H). Coloque el medallón del aspa (G) en los tres orificios del lado opuesto del aspa (H). Fije la abrazadera del aspa (F) y el medallón del aspa (G) al aspa (H) con los tornillos del aspa (BB). Repita este paso para las aspas (H) restantes.

Aditamentos utilizados

BB	Tornillo para aspa		x 15
-----------	--------------------	---	------

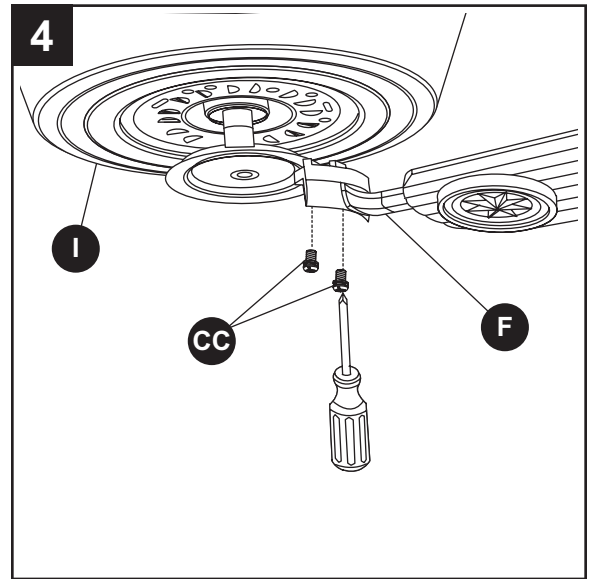
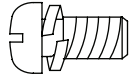


INSTALACIÓN FINAL

4. Fije el ensamblaje del aspa al ensamblaje del motor (I) con dos tornillos del motor (CC) y apriételos firmemente. Repita este paso para los ensamblajes de las aspas restantes.

Aditamentos utilizados

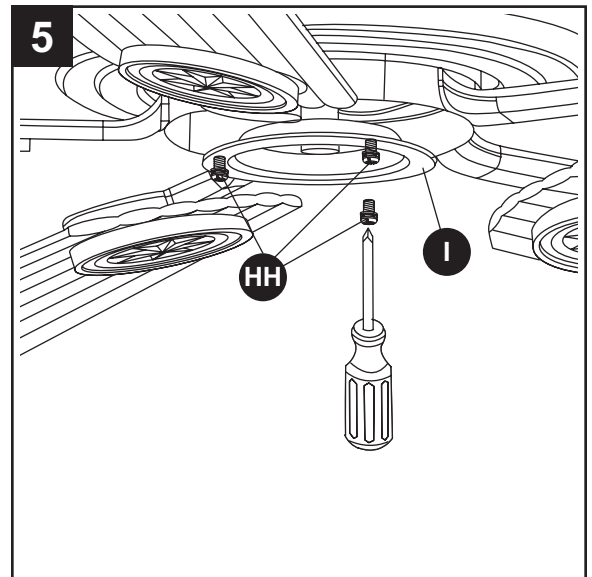
CC Tornillo del motor x 10



5. Retire uno de los tres tornillos de la placa de soporte (HH) que se encuentra en la parte de la placa del ensamblaje del motor (I) y guárdelos. Afloje los otros dos tornillos de la placa de soporte (HH), pero no los retire.

Aditamentos utilizados

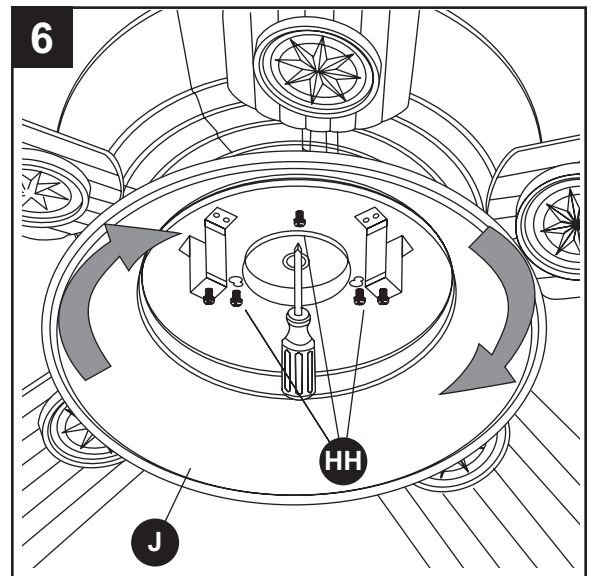
HH Tornillo de la placa de soporte x 3



6. Alinee los dos chaveteros en la bandeja de luz (J) con los tornillos de la placa de soporte (HH) que se aflojaron en el paso anterior. Coloque la bandeja de luz (J) sobre los dos tornillos y gire la bandeja de luz (J) en dirección de las manecillas del reloj hasta que se bloquee. Luego apriete los dos tornillos de la placa de soporte (HH). Vuelva a instalar el tornillo de la placa de soporte (HH) que se retiró en el paso anterior y apriételo firmemente.

Aditamentos utilizados

HH Tornillo de la placa de soporte x 3

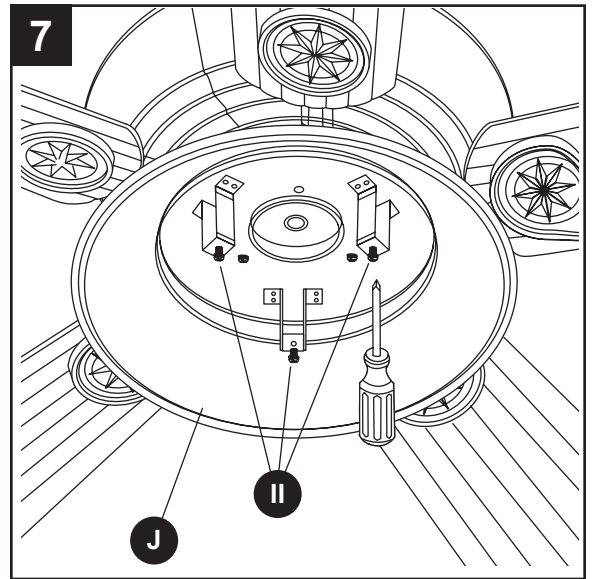


INSTALACIÓN FINAL

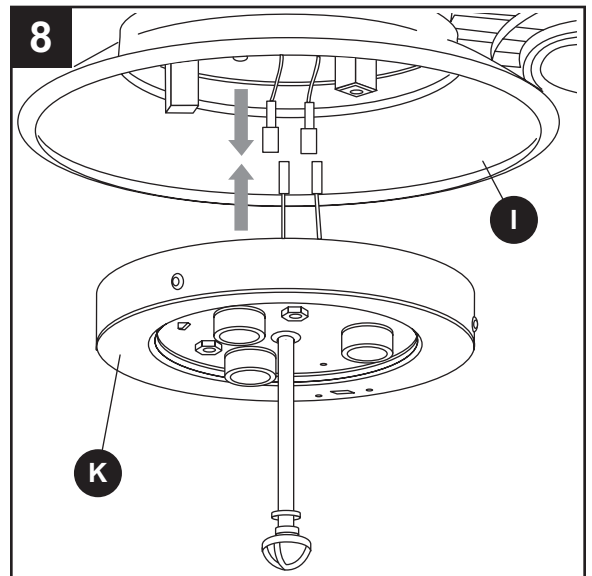
7. Retire un tornillo para abrazadera de bandeja de luz (II) de una de las tres abrazaderas que se encuentran debajo de la bandeja de luz (J) y guárdelo. Afloje los otros dos tornillos de las otras dos abrazaderas, pero no los retire.

Aditamentos utilizados

- II** Tornillo de la abrazadera de la bandeja de luz  x 3



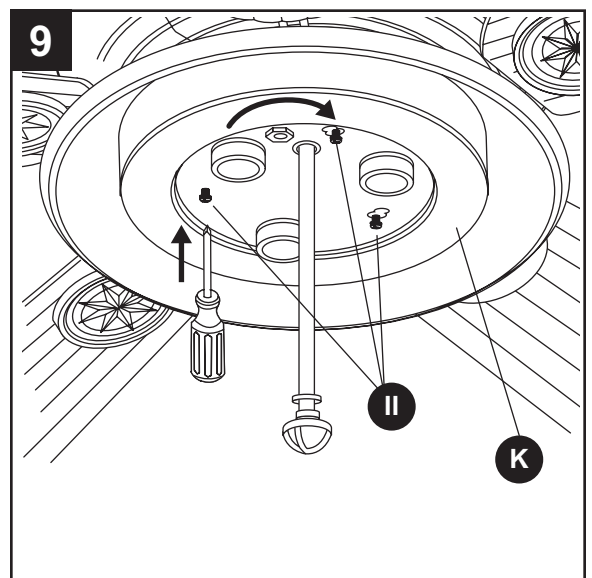
8. Conecte el cable azul del ensamble del motor (I) al cable negro del kit de iluminación (K) y el cable blanco del ensamble del motor (I) al cable blanco del kit de iluminación (K) conectando los enchufes.



9. Alinee los dos chaveteros del kit de iluminación (K) con los dos tornillos de la abrazadera de la bandeja de luz (II) que se aflojaron anteriormente. Coloque el kit de iluminación (K) sobre los dos tornillos y gire el kit de iluminación (K) en el sentido de las manecillas del reloj hasta que se bloquee; luego apriete los dos tornillos de la abrazadera de la bandeja de luz. Vuelva a instalar el tornillo de la abrazadera de la bandeja de luz (II) que se retiró anteriormente y apriételo firmemente.

Aditamentos utilizados


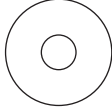


- II** Tornillo de la abrazadera de la bandeja de luz  x 3

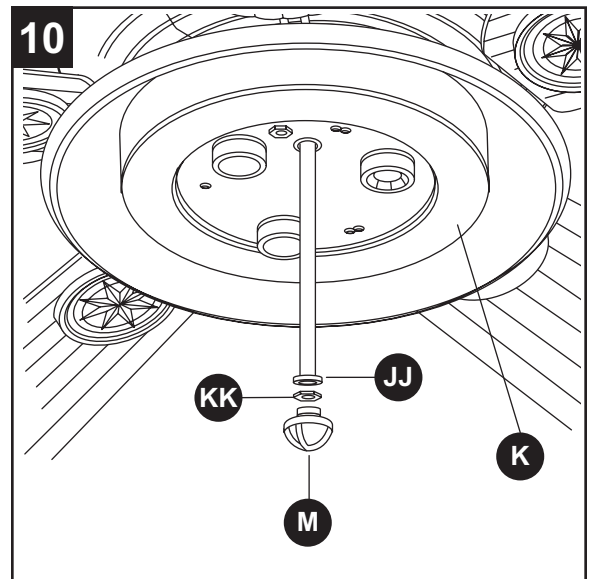


INSTALACIÓN FINAL

10. Retire la arandela de goma (JJ), la tuerca hexagonal (KK) y el remate (M) del kit de iluminación (K) y guárdelos.

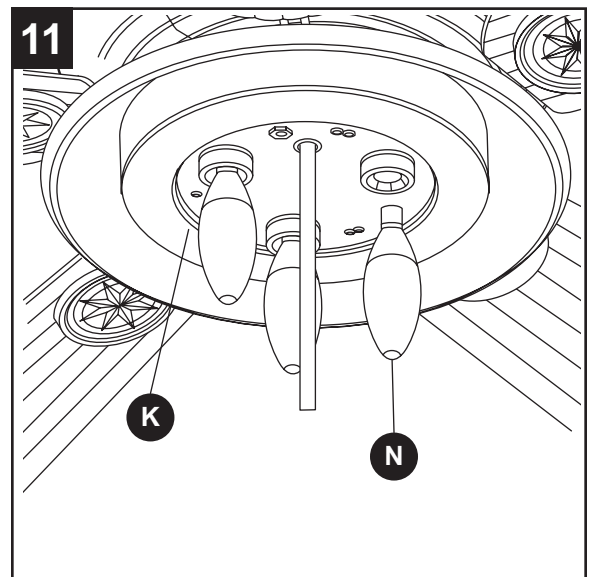
Aditamentos utilizados

	Arandela de goma		x 1
	Tuerca hexagonal		x 1



11. Instale las bombillas (N) en los portalámparas del kit de iluminación (K).

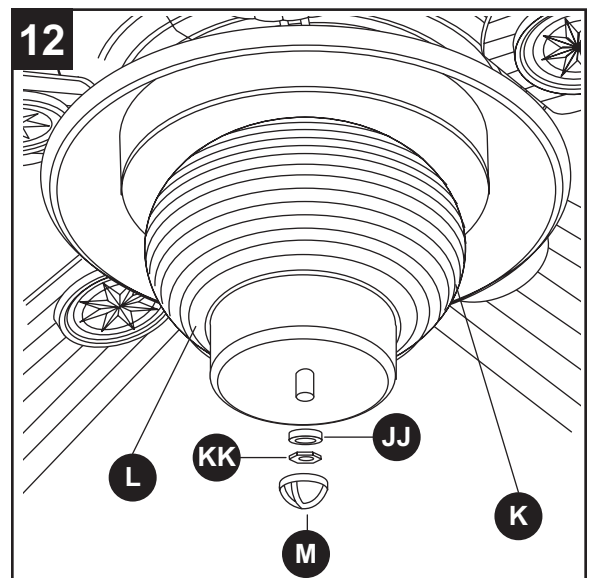
Nota: En el receptor del ventilador se incluye un fusible limitador que restringe el voltaje y ahorra energía. Si reemplaza las bombillas de base candelabro de 40 vatios incluidas con el producto por unas de más de 190 vatios, su ventilador se apagará automáticamente. Asegúrese de que el vataje total de las bombillas siempre sea inferior a 190 vatios.



12. Levante el vidrio (L) hacia el kit de iluminación (K) y fíjelo con la arandela de goma (JJ), la tuerca hexagonal (KK) y el remate (M).

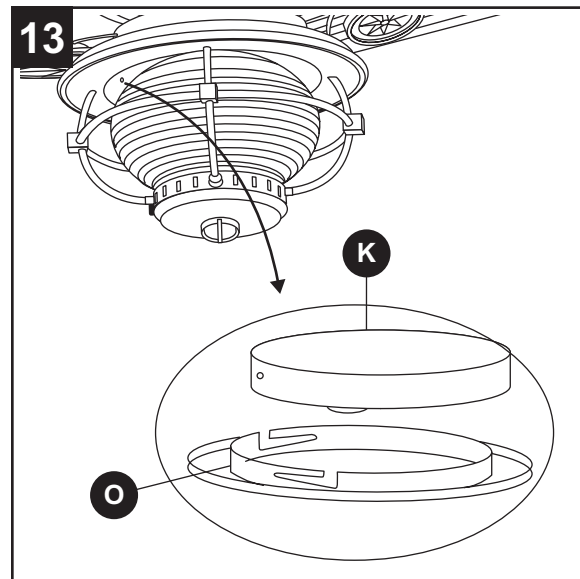
Aditamentos utilizados

	Arandela de goma		x 1
	Tuerca hexagonal		x 1



INSTALACIÓN FINAL

13. Alinee las tres hendiduras de la parte interna del marco de luz (O) con las tres protuberancias del kit de iluminación (K). Encienda el marco de luz (O) en dirección de las manecillas del reloj para fijarlo en el kit de iluminación (K).



INSTRUCCIONES DE FUNCIONAMIENTO

1. Utilice el interruptor de reversa del ventilador, ubicado en la parte superior del ensamblaje del motor (I), para optimizar el rendimiento de su ventilador según la estación del año.

Un ventilador de techo le permitirá elevar la configuración de su termostato en verano y disminuirla en invierno, sin sentir una diferencia en su comodidad.

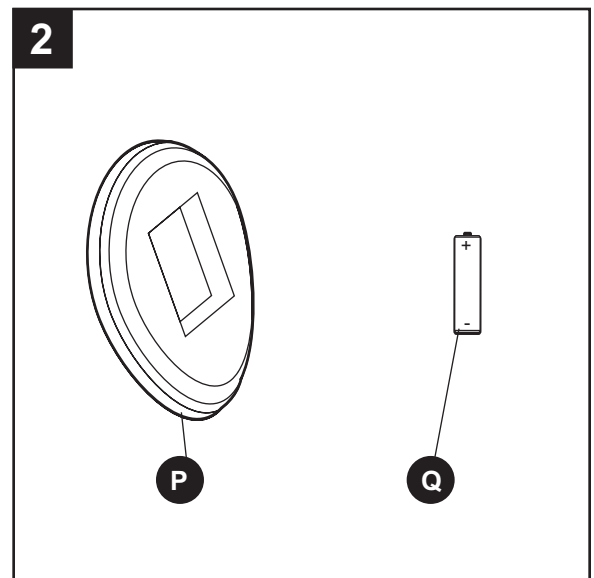
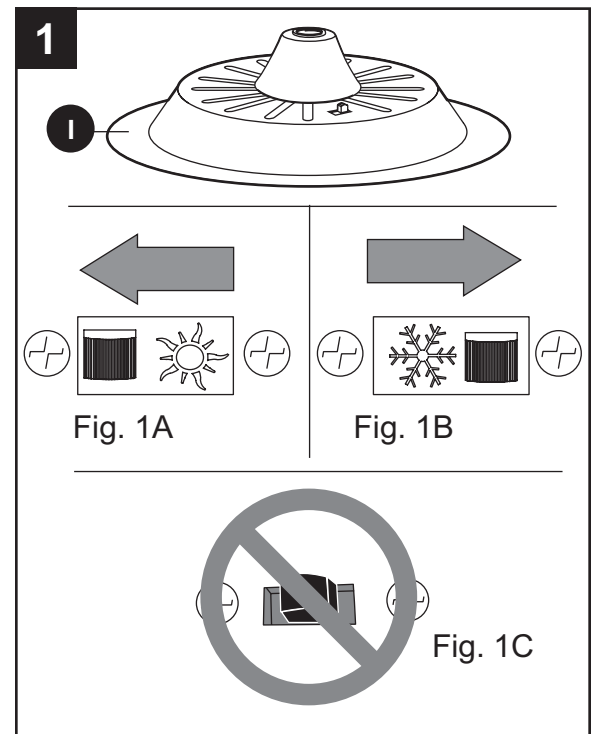
Nota: Espere a que el ventilador se detenga antes de mover el interruptor de reversa.

- 1A. En climas más cálidos, presione el interruptor de reversa hacia la izquierda y verá un icono de un sol, lo que creará un flujo de aire descendente que generará un efecto de viento refrescante.
- 1B. En climas más fríos, deslice el interruptor de reversa hacia la derecha y verá un icono de copo de nieve, lo que creará un flujo de aire ascendente que puede ayudar a mover el aire caliente estancado fuera del área del techo.

Importante: El interruptor de reversa se debe deslizar completamente hacia la derecha o hacia la izquierda para que el ventilador funcione correctamente. Si el interruptor de reversa se configura en la posición del medio, el ventilador no funcionará. Consulte la Fig. 1C.


Nota: El receptor viene conectado e incorporado en la estructura del ventilador de fábrica. No es necesario que ensamble el receptor.

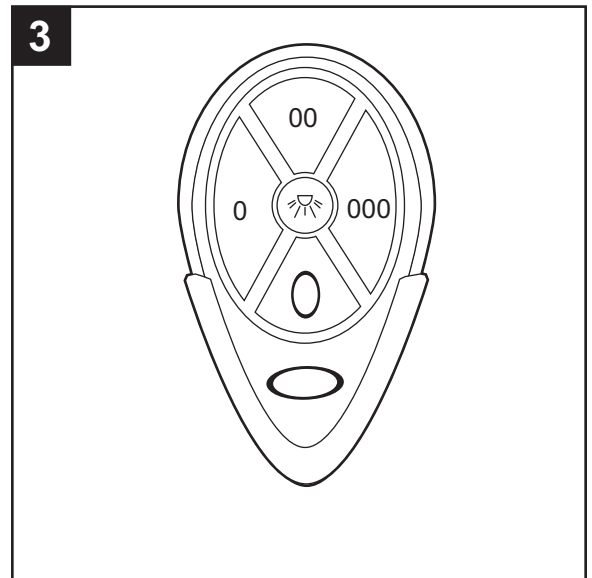
2. Cómo instalar la batería:
Retire la cubierta de la batería del control remoto (P) e instale la batería de 12 voltios (Q). Asegúrese de que el enchufe esté bien sujeto a la batería (Q) y reemplace la cubierta de la batería.



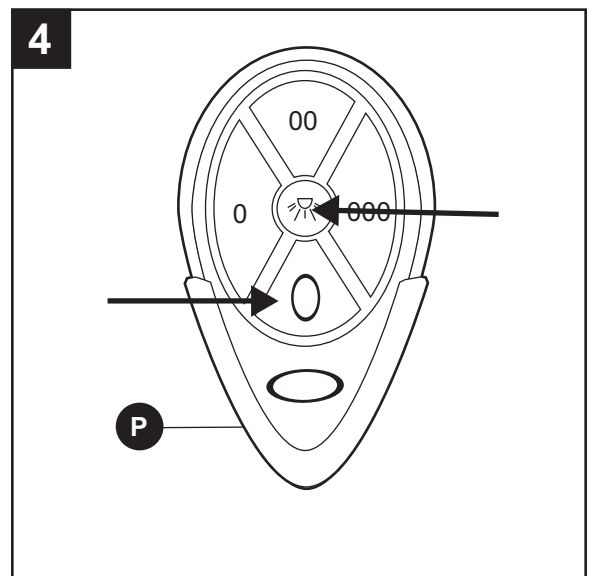
INSTRUCCIONES DE FUNCIONAMIENTO

3. Controle el ventilador y las luces.

0	Velocidad baja
00	Velocidad media
000	Velocidad alta
0	Apaga el ventilador.
	<p>Enciende el ventilador.</p> <p>Presione rápidamente este botón para encender o apagar las luces.</p> <p>Mantenga presionado este botón para regular la intensidad de las luces. Cuando la intensidad de la luz alcance el nivel deseado, suelte el botón.</p> <p>El receptor registra la intensidad de la luz al apagarla. Cuando se vuelve a encender la luz, se pone en funcionamiento con el último ajuste establecido.</p>



4. Su control remoto se preprogramó en la fábrica y funcionará correctamente cuando lo saque de la caja. Sin embargo, si se lo debe reparar para que esté comunicado con el ventilador, haga lo siguiente: Dentro de los 30 segundos posteriores a haber encendido el ventilador, mantenga presionados, al mismo tiempo, el 0 y el botón de Iluminación que se encuentra en el centro del control remoto (P) durante 5 segundos. La luz del ventilador titilará cuando el ensamblaje esté completo.



CUIDADO Y MANTENIMIENTO

Al menos dos veces al año, baje la base para revisar en ensamble de la varilla, y luego apriete todos los tornillos en el ventilador. Limpie la carcasa del motor solo con un cepillo suave o un paño sin pelusas para evitar rayar el acabado. Limpie las aspas con un paño sin pelusas. De vez en cuando puede aplicar una fina capa de cera para muebles en las aspas de madera para darles más protección.

Importante: Antes de realizar cualquier trabajo de mantenimiento, desconecte el suministro de electricidad principal. No utilice agua ni un paño húmedo para limpiar el ventilador.

SOLUCIÓN DE PROBLEMAS

PROBLEMA	CAUSA POSIBLE	ACCIÓN CORRECTIVA
El ventilador no se mueve.	<ol style="list-style-type: none"> 1. El interruptor de reversa no está activado. 2. El interruptor de pared se apagó. 3. No hay suministro de electricidad o hay un fusible (interruptor) quemado. 4. Una conexión de los cables no es la correcta. 5. La energía de la batería del control remoto se agotó. 6. La configuración del interruptor magnético no es correcta en el control remoto. 	<ol style="list-style-type: none"> 1. Mueva firmemente el interruptor de reversa hacia la izquierda o hacia la derecha. 2. Asegúrese de que el interruptor de pared esté encendido. 3. Encienda el suministro eléctrico o verifique el fusible (interruptor). 4. Desactive la alimentación eléctrica y revise todas las conexiones de la caja de salida del techo. 5. Instale una batería nueva en el control remoto. 6. Consulte las Instrucciones de funcionamiento para configurar los interruptores magnéticos.
El ventilador hace ruido.	<ol style="list-style-type: none"> 1. Las aspas están sueltas. 2. Hay una aspa partida. 3. El control de pared no es compatible con el ventilador. 4. No se supera el período de asentamiento. 5. La caja de salida no está asegurada. 6. El soporte de montaje no está asegurado. 7. El dispositivo de control de velocidad no está aprobado. 	<ol style="list-style-type: none"> 1. Revise y apriete todos los tornillos que sostienen las aspas del ventilador en los brazos de las aspas y en el motor. 2. Reemplace el aspa partida. 3. No use un regulador de intensidad de rango completo para controlar la velocidad del ventilador. 4. Haga funcionar el ventilador de 24 a 48 horas continuamente a velocidad media o alta durante el período de "asentamiento". 5. Revise que la caja de salida esté asegurada a la estructura del edificio. 6. Asegúrese de que el soporte de montaje esté fijo en la caja de salida y que los tornillos estén apretados. 7. Reemplace el dispositivo de control de la velocidad por un control remoto aprobado.



SOLUCIÓN DE PROBLEMAS

PROBLEMA	CAUSA POSIBLE	ACCIÓN CORRECTIVA
Hay un tambaleo excesivo.	<ol style="list-style-type: none"> Una o varias aspas están flojas. Las aspas no están equilibradas. El montaje del ventilador no está asegurado. El ventilador está demasiado cerca del techo de bóveda. El tornillo de ajuste de la horquilla de la carcasa del motor está floja. Los brazos de las aspas no están fijados correctamente a las aspas. 	<ol style="list-style-type: none"> Revise y apriete todos los tornillos que sostienen las aspas del ventilador en los brazos de las aspas y en el motor. Intercambie un aspa con otra del lado opuesto. O equilibre el ventilador mediante el kit de equilibrio (no se incluye). Desconecte el suministro de electricidad. Afloje la base y verifique que el soporte de montaje esté asegurado en la caja de salida eléctrica. El soporte debe estar al ras de la caja de salida y no debe moverse. Utilice una varilla más larga o mueva el ventilador a otra ubicación. Levante la cubierta de horquilla y apriete el tornillo de ajuste en la horquilla hasta que quede firme. Vuelva a instalar las aspas en los brazos de las aspas.
El ventilador funciona correctamente, pero las luces no funcionan (si corresponde).	<ol style="list-style-type: none"> Las bombillas no se instalaron correctamente. Los enchufes de cables del kit de iluminación no están conectados apropiadamente. Una conexión de los cables no es la correcta. La potencia total de la luz supera los 190 vatios. 	<ol style="list-style-type: none"> Vuelva a instalar las bombillas. Asegúrese de que los enchufes macho y hembra del soporte del kit de iluminación estén conectados correctamente. Desactive la alimentación eléctrica y revise todas las conexiones de la caja de salida del techo. El ventilador cuenta con un fusible limitador de potencia a 190 vatios. Si los vatios totales de las luces superan los 190, las luces no funcionan. Reemplace las bombillas por unas de menor vataje.

GARANTÍA LIMITADA DE POR VIDA.

El fabricante garantiza que este ventilador no presenta defectos de mano de obra ni de materiales en el momento del transporte desde la fábrica durante un período de por vida a partir de la fecha de compra del comprador original. El comerciante garantiza, también, que las demás piezas del ventilador, con excepción de cualquier aspa de vidrio o plexiglás, no presentan defectos de mano de obra ni de materiales en el momento del transporte desde la fábrica, durante un período de un año a partir de la fecha de compra por parte del comprador original. El fabricante acepta reparar dichos defectos sin cargo o, a su elección, reemplazar el ventilador de techo por un modelo comparable o superior.

Para obtener el servicio de garantía, presente una copia del recibo como comprobante de la compra. Todos los costos de retiro y reinstalación del producto son su responsabilidad. Esta garantía no se aplica a ningún daño que se produzca en cualquier pieza del producto como consecuencia de un accidente, uso indebido o instalación incorrecta, o causado por elementos accesorios. El fabricante no asume ningún tipo de responsabilidad por la instalación del ventilador durante la garantía limitada de por vida. Cualquier servicio realizado por una persona no autorizada invalidará la garantía.

Debido a las cambiantes condiciones climáticas, esta garantía no cubre cambios en el acabado de latón, incluidos la oxidación, las picaduras, la corrosión, el deslustre o el descascarado. Los acabados de latón de este tipo proporcionan una vida útil más prolongada si se los protege de las cambiantes condiciones climáticas. La garantía no cubre los elementos de vidrio incluidos con este ventilador.

Cualquier reemplazo de piezas defectuosas para el ventilador de techo debe informarse dentro del primer año posterior a la fecha de compra. Para conocer el saldo de la garantía, llame a nuestro Departamento de Servicio al Cliente y obtenga la autorización de la devolución e instrucciones de envío de modo que podamos reparar o reemplazar el ventilador de techo. Cualquier ventilador o piezas devueltos de forma incorrecta son responsabilidad única del comprador. No existen otras garantías explícitas. El fabricante rechaza cualquier y todas las garantías. La duración de cualquier garantía implícita que no se pueda rechazar se limita al período de tiempo especificado en la garantía expresa. El fabricante no será responsable por daños incidentales, resultantes o especiales que surjan en relación con el uso o el rendimiento del producto, excepto que la ley indique lo contrario. Esta garantía le otorga derechos legales específicos, pero podría tener, también, otros derechos que varían según el estado.

Esta garantía sustituye cualquier garantía previa.

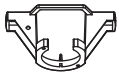
Nota: Un cierto "tambaleo" es normal y no se debe considerar como un defecto.



LISTA DE PIEZAS DE REPUESTO

Para obtener piezas de repuesto, llame a nuestro Departamento de Servicio al Cliente al 1-800-643-0067, de lunes a jueves de 8 a.m. a 6 p.m., y los viernes de 8 a.m. a 5 p.m., hora estándar del Este.

PIEZA	DESCRIPCIÓN
A	Soporte de montaje
B	Cubierta
C	Cubierta de la base
D	Cubierta de la horquilla
E	Varilla
F	Abrazadera del aspa
G	Medallón del aspa
H	Aspa
J	Bandeja de luz
K	Kit de iluminación
L	Vidrio
O	Marco de luz
P	Control remoto
PP	Paquete de aditamentos



A



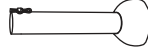
B



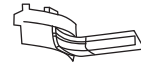
C



D



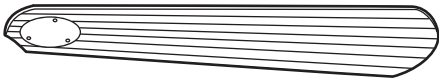
E



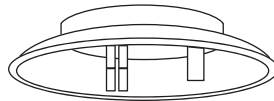
F



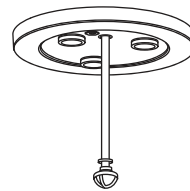
G



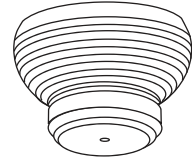
H



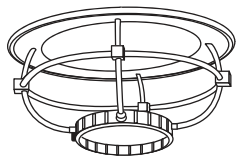
J



K



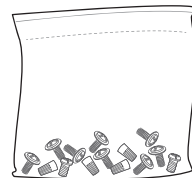
L



O



P



PP

Impreso en China

Harbor Breeze® es una marca registrada de LF, LLC. Todos los derechos reservados.