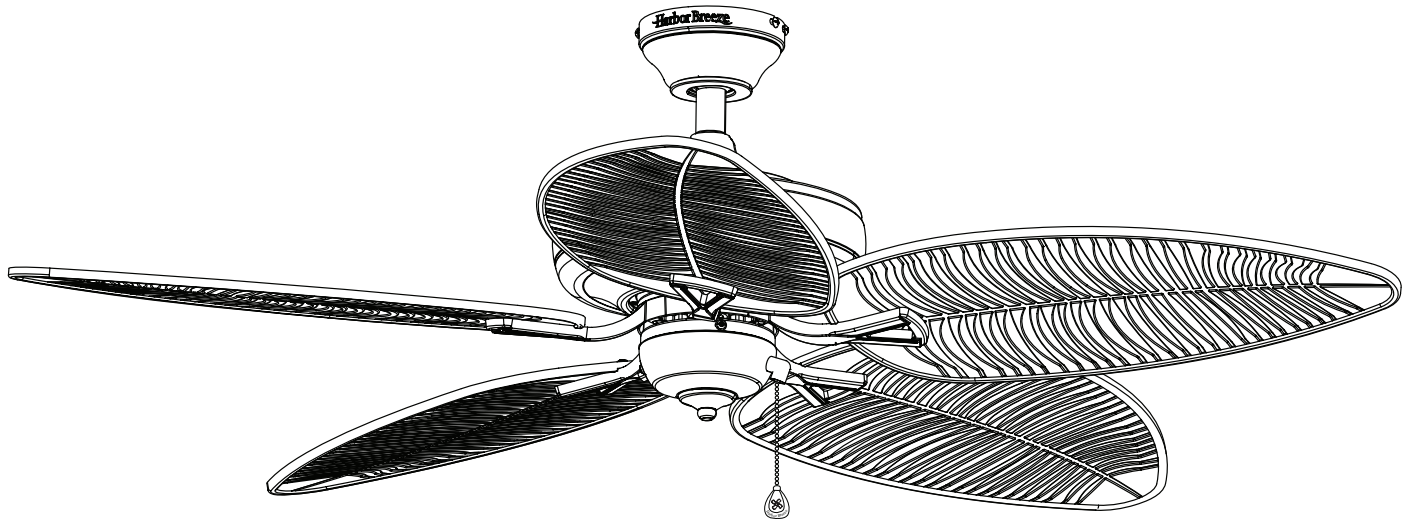




Harbor Breeze® is a registered trademark of LF, LLC. All Rights Reserved.

ITEM #0451809  
**PACIFIC GROVE  
CEILING FAN**  
MODEL #40945

**Español p. 20**



**ATTACH YOUR RECEIPT HERE**

Serial Number \_\_\_\_\_

Purchase Date \_\_\_\_\_



**LISTED FOR  
WET LOCATION**



**Questions, problems, missing parts?** Before returning to your retailer, call our customer service department at 1-800-643-0067, 8 a.m. - 6 p.m., EST, Monday - Thursday, 8 a.m. - 5 p.m., EST, Friday.

EB15488

Lowes.com/harborbreeze



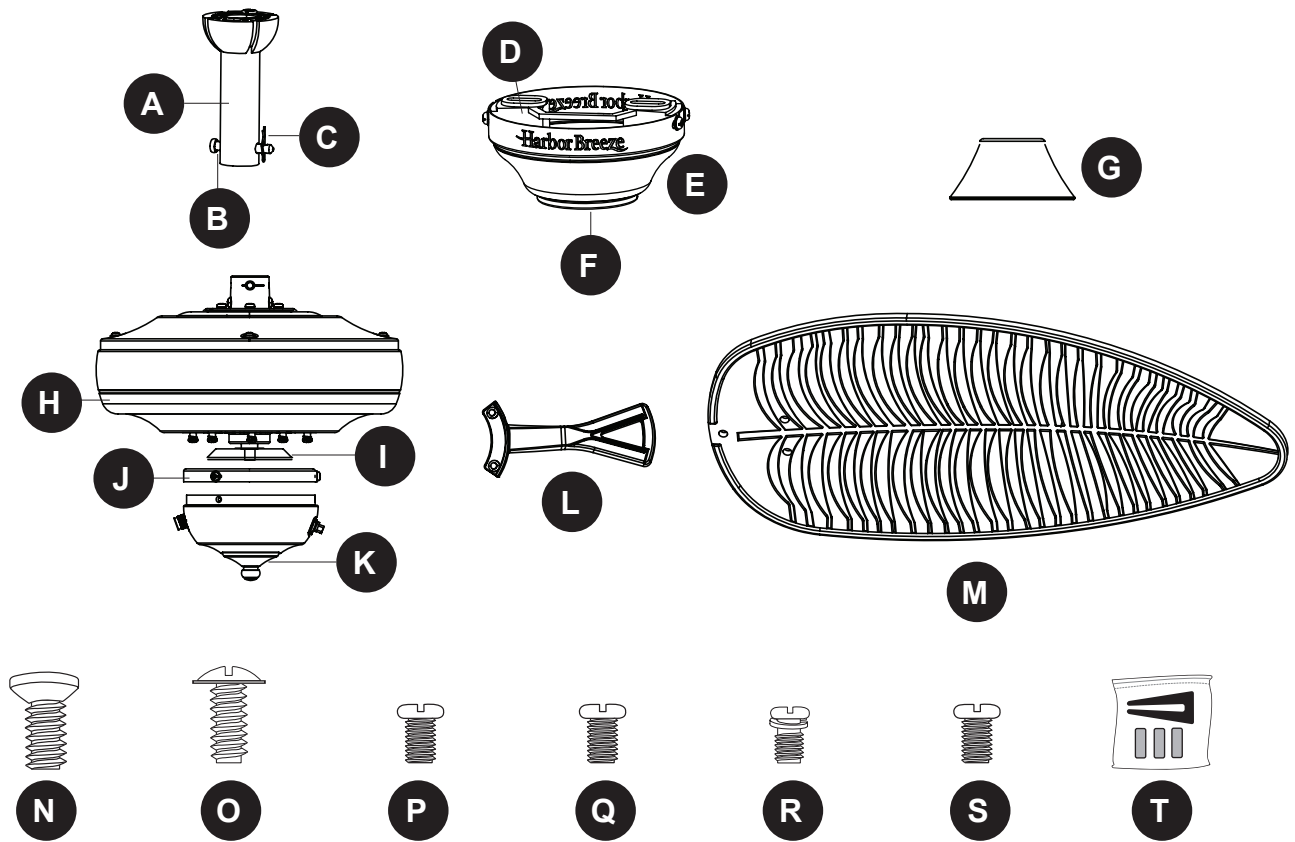
## TABLE OF CONTENTS

---

Package Contents . . . . .	3
Hardware Contents . . . . .	4
Safety Information . . . . .	5
Preparation . . . . .	6
Initial Installation . . . . .	7
Standard or Angle Mounting Instructions. . . . .	9
Closemount Instructions . . . . .	11
Wiring . . . . .	12
Final Installation. . . . .	13
Operating Instructions . . . . .	16
Care and Maintenance . . . . .	17
Troubleshooting. . . . .	17
Limited Lifetime Warranty . . . . .	18
Replacement Parts List . . . . .	19



## PACKAGE CONTENTS



PART	DESCRIPTION	QUANTITY
A	Downrod	1
B	Downrod Pin (preassembled to Downrod [A])	1
C	Downrod Clip (preassembled to Downrod [A])	1
D	Mounting Bracket (preassembled to Canopy [E])	1
E	Canopy	1
F	Canopy Cover (preassembled to Canopy [E])	1
G	Yoke Cover	1
H	Motor Assembly	1
I	Adapter Plate (preassembled to the Motor Assembly [H])	1
J	Fitter Plate	1
K	Switch Housing	1
L	Blade Arm	5
M	Blade	5
N	Motor Screw (preassembled to the Motor Assembly [H])	10 + 1 extra
O	Mounting Bracket Screw (preassembled to the Mounting Bracket [D])	4
P	Fitter Plate Screw (preassembled to the Adapter Plate [I])	3
Q	Set Screw (preassembled to the Motor Assembly [H])	2
R	Phillips-head Closemount Screw (preassembled to Motor Assembly [H])	3
S	Switch Housing Screw (preassembled to Switch Housing [K])	3
T	Blade Balancing Kit	1

**HARDWARE CONTENTS** (shown actual size)

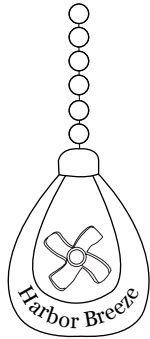
---

**AA**



Wire Connector  
Qty. 3  
+ 1 extra

**BB**



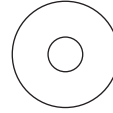
Pull Chain  
Extension  
Qty. 1

**CC**



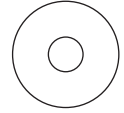
Blade Screw  
Qty. 15  
+ 1 extra

**DD**



Rubber Washer  
Qty. 15  
+ 1 extra

**EE**




Blade Washer  
Qty. 15  
+ 1 extra


## SAFETY INFORMATION


---


Please read and understand this entire manual before attempting to assemble, operate or install the product.


- Before you begin installing the fan, disconnect the power by removing fuses or turning off the circuit breakers.
- Make sure all electrical connections comply with local codes, ordinances, the National Electrical Code and ANSI/NFPA 70-199. Hire a qualified electrician or consult a do-it-yourself wiring handbook if you are unfamiliar with installing electrical wiring.
- Make sure the installation site you choose allows a minimum clearance of 7 ft. from the blades to the floor and at least 30 in. from the end of the blades to any obstruction.
- The net weight of this fan is: 16.23 lbs.


 **DANGER:** When using an existing outlet box, make sure the outlet box is securely attached to the building structure and can support the full weight of the fan. Failure to do this can result in serious injury or death. The stability of the outlet box is essential in minimizing wobble and noise in the fan after installation is complete.


 **DANGER:** If using the fan in a wet location, the fan must be connected to a supply circuit that is protected by a Ground Fault Circuit Interrupter (GFCI) to reduce the risk of personal injury, electrical shock or death.


 **WARNING:** To avoid personal injury, the use of gloves may be necessary while handling fan parts with sharp edges.

 **WARNING:** To reduce the risk of fire, electric shock or personal injury, mount the fan to an outlet box marked “ACCEPTABLE FOR FAN SUPPORT” and use the mounting screws provided with the outlet box. Most outlet boxes commonly used for the support of lighting fixtures are not acceptable for fan support and may need to be replaced. Consult a qualified electrician if in doubt. Secure the outlet box directly to the building structure. The outlet box and its support must be able to support the moving weight of the fan (at least 35 lbs.). Do NOT use a plastic outlet box.

 **WARNING:** To reduce the risk of fire, electrical shock or personal injury, wire connectors provided with this fan are designed to accept only one 12-gauge house wire and two lead wires from the fan. If your house wire is larger than 12-gauge or there is more than one house wire to connect to the two fan lead wires, consult an electrician for the proper size wire connectors to use.

 **WARNING:** To reduce the risk of fire or electric shock, do not use the fan with any solid-state speed-control device or control the fan speed with a full-range, dimmer switch.

 **WARNING:** To reduce the risk of fire, electric shock or personal injury, do not bend the blade arms when installing them, balancing the blades or cleaning the fan. Do not insert objects between the rotating fan blades.

 **WARNING:** To reduce the risk of personal injury, use only parts provided with this fan. The use of parts OTHER than those provided with this fan will void the warranty.



## **SAFETY INFORMATION**

---

**CAUTION:** Read all instructions and safety information before installing your new fan. Review the accompanying assembly diagrams.

**CAUTION:** Be sure the outlet box is properly grounded or that a ground (green or bare) wire is present.

**CAUTION:** Carefully check all screws, bolts, and nuts on the fan motor assembly to ensure they are secured.

## **PREPARATION**

---

Before beginning the assembly of this product, ensure all parts are present. Compare all parts with the package contents list and hardware contents list. If any part is missing or damaged, do not attempt to assemble the product.

After opening the top of the carton, remove the mounting hardware package from the foam inserts, then remove the motor from the packaging and place it on a soft surface, such as a carpet, to avoid damage to the finish.

**Estimated Assembly Time:** 120 minutes

Tools Required for Assembly (not included): Electrical Tape, Phillips Screwdriver, Pliers, Safety Glasses, Step Ladder, Wire Strippers and Wire Cutters

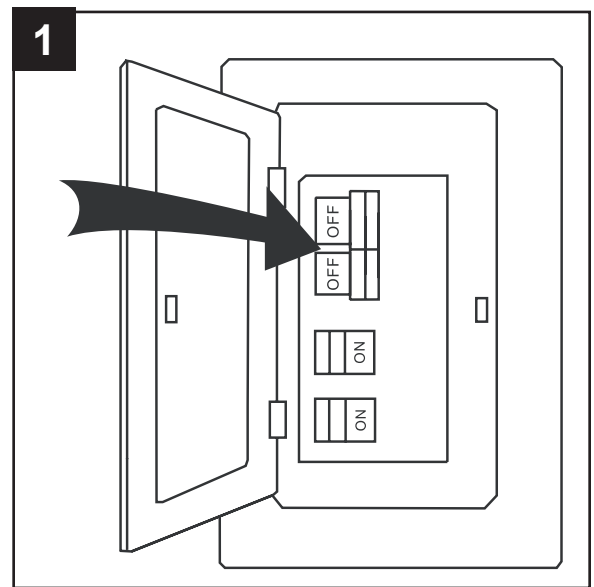
Helpful Tools (not included): AC Tester Light, Tape Measure, Wiring Handbook



## INITIAL INSTALLATION

1. Turn off the circuit breakers and the wall switch to the fan supply line leads.

**⚠ DANGER:** Failure to disconnect the power supply prior to installation may result in serious injury or death.



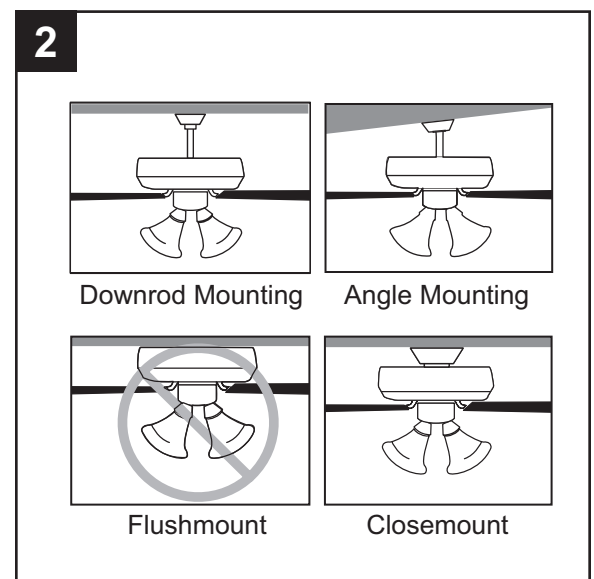
2. Determine the mounting method to use.

**Standard Mounting** is best suited for ceilings 8 ft. or higher. For taller ceilings you may want to use a longer downrod (sold separately).

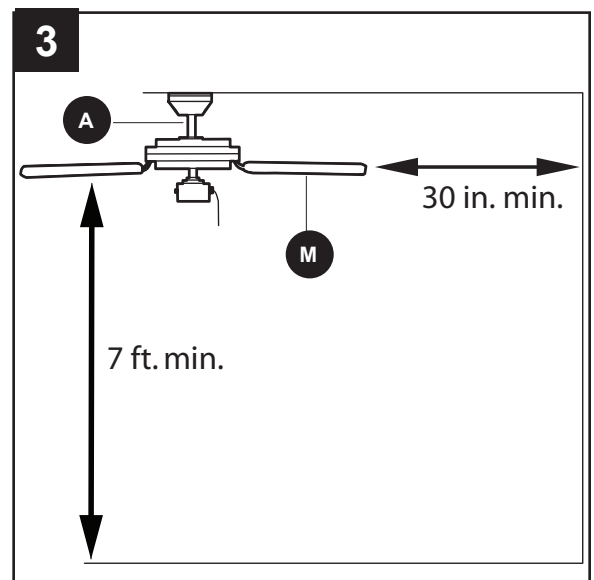
**Angle mounting** is best suited for angled or vaulted ceilings. A longer downrod is sometimes necessary to ensure proper blade clearance. **Important:** If using the angle mount, check to ensure the ceiling angle is not steeper than 16°.

**Closemount** installation is more suitable for ceilings lower than 8 ft. high.

**Flushmount** installation is not available for this item.

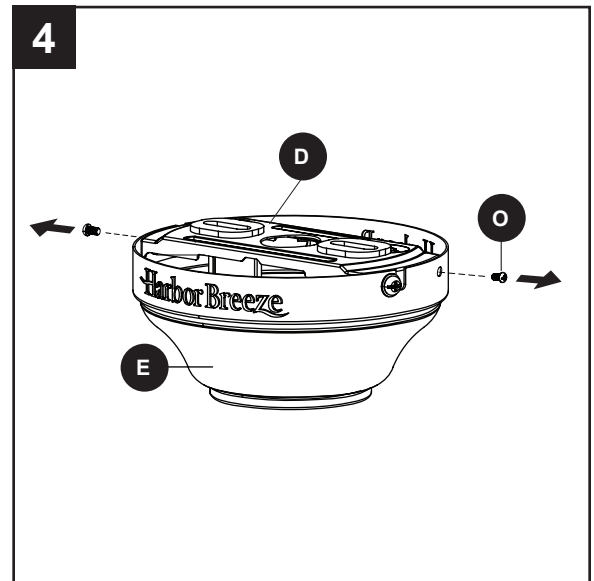


3. Ensure the blades (M) will be at least 30 in. from any obstructions. Also check the downrod (A) length to ensure the blades (M) will be at least 7 ft. above the floor.



## INITIAL INSTALLATION

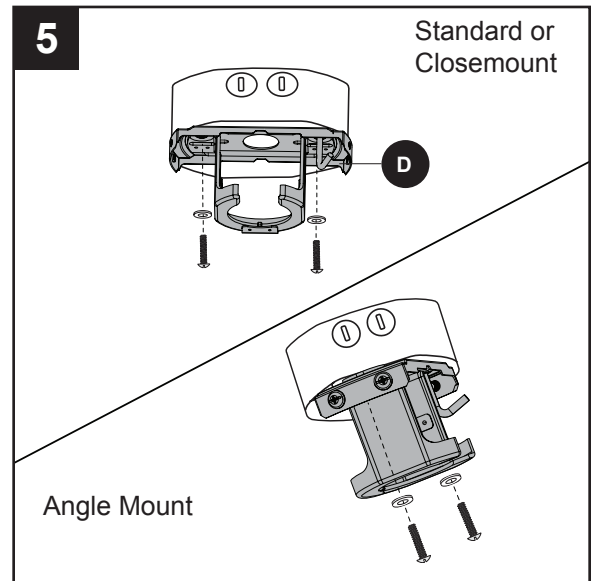
- Loosen all four preassembled mounting bracket screws (O), then completely remove the two mounting bracket screws (O) from the round holes of canopy (E). Set aside for later use. Detach mounting bracket (D) from canopy (E).



- Attach mounting bracket (D) to outlet box (not included) using screws and washers provided with the outlet box.

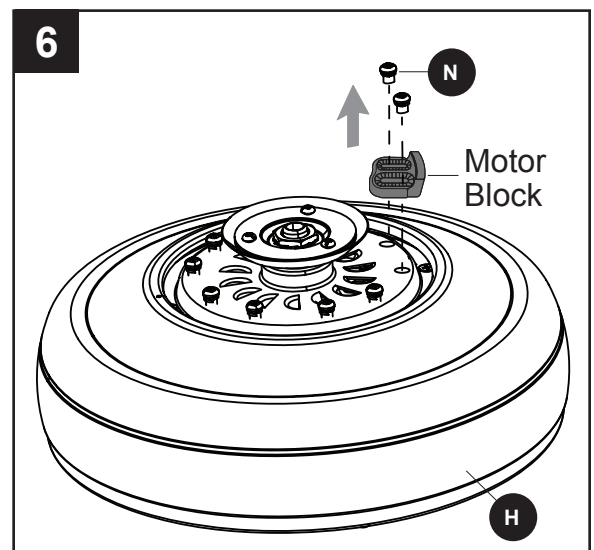
**CAUTION:** It is very important to use the proper hardware when installing the mounting bracket (D) as this will support the fan.

**Important:** If using the angle mount, ensure the open end of the mounting bracket (D) is installed facing the higher point of the ceiling.



- Remove all 10 preassembled motor screws (N) and five preassembled plastic motor blocks from the underside of the motor assembly (H). Discard the motor blocks, but keep the motor screws (N) for later.

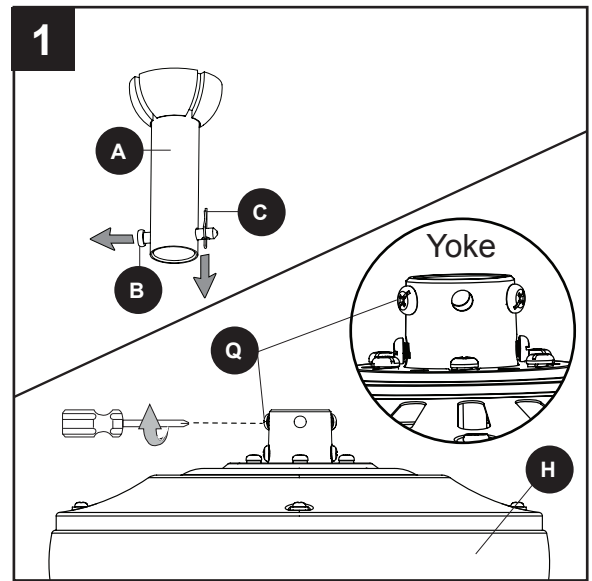
For **Standard or Angle Mounting Instructions**, continue to page 9. For **Closemount Instructions**, proceed to page 11.



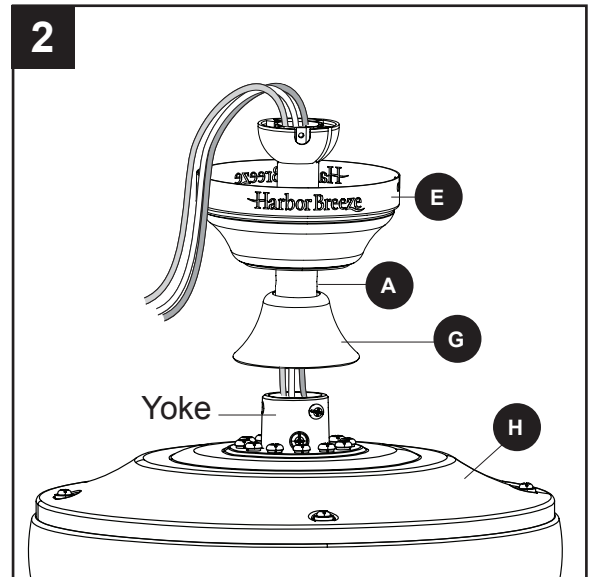


## STANDARD OR ANGLE MOUNTING INSTRUCTIONS

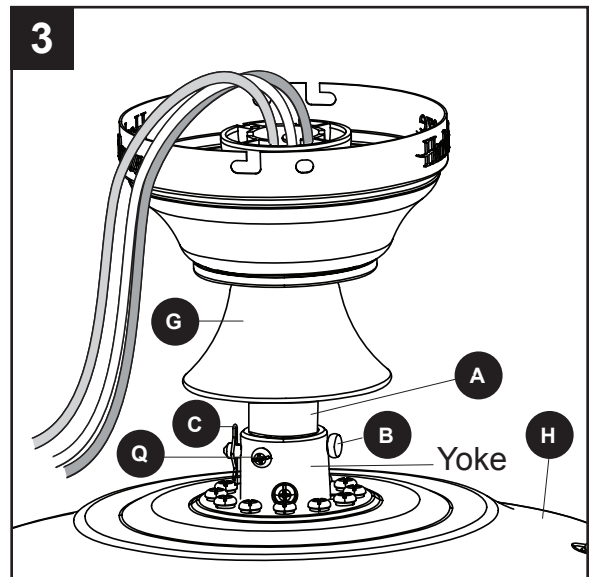
1. Remove the downrod clip (C) and downrod pin (B) from the downrod (A). Then partially loosen the set screws (Q) in the yoke at the top of the motor assembly (H).



2. Insert the downrod (A) through the canopy (E) and yoke cover (G). Feed the wires from the motor assembly (H) through the downrod (A).

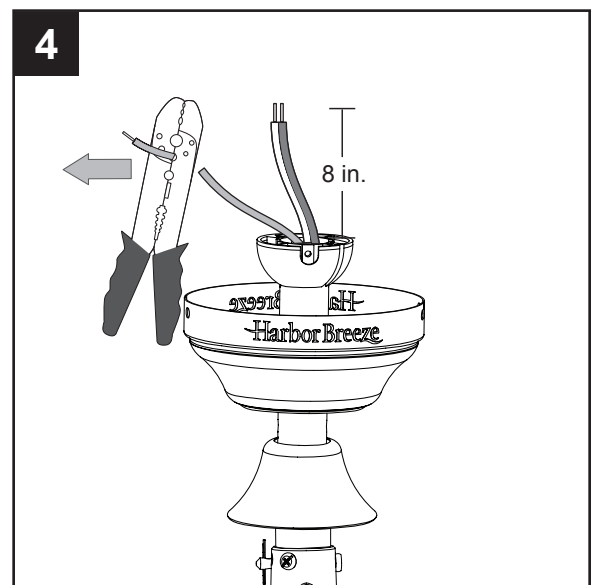


3. Slide the downrod (A) into the yoke of the motor assembly (H), align the holes, then re-install the downrod clip (C) and downrod pin (B). Secure with set screws (Q).



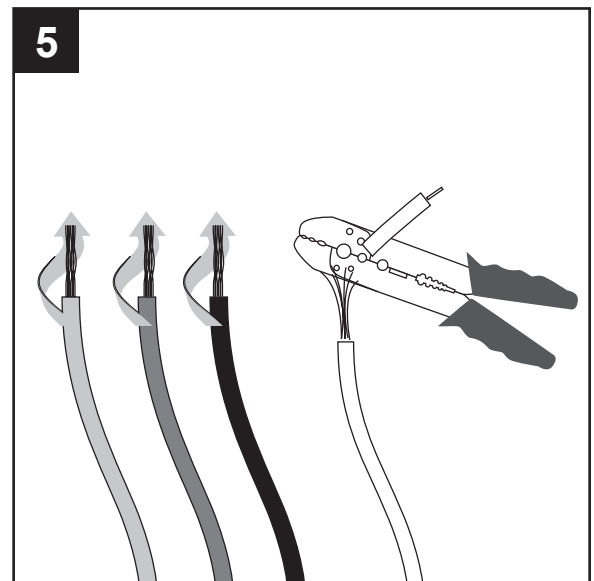
## STANDARD OR ANGLE MOUNTING INSTRUCTIONS

4. Depending on the length of downrod you use, you may need to cut the lead wires back to simplify the wiring. If you decide to cut back the lead wires, it is suggested you do so in the following manner: Take the lead wires and make sure you have pulled them all the way through the top of the downrod. Measure 8 inches of lead wire, then cut the excess wire off with wire cutters (not included).



5. If you decided to cut back the lead wire in Step 4, strip 1/2 in. of insulation from the end of the white wire. Twist the stripped ends of each strand of wire within the insulation with pliers (not included). Repeat this step for black, blue and green wires.

**Note:** If you did not cut back the lead wires in Step 4, Step 5 is not necessary and you may proceed to Step 6.

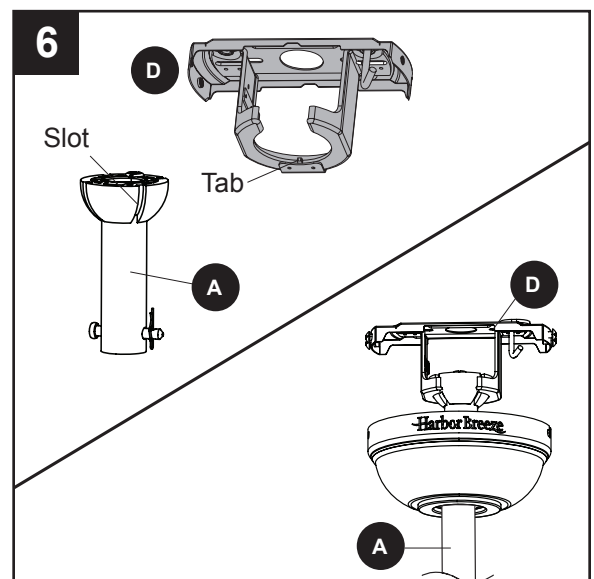


6. Install the ball end of the downrod (A) into the opening of mounting bracket (D). Align one of the four slots in the ball with the tab in the mounting bracket (D).

**Note:** The downrod (A) should not rotate if installed correctly.

**⚠ DANGER:** Failure to align the slot in the downrod (A) with the tab of the mounting bracket (D) could cause the fan to fall, resulting in serious injury or death.

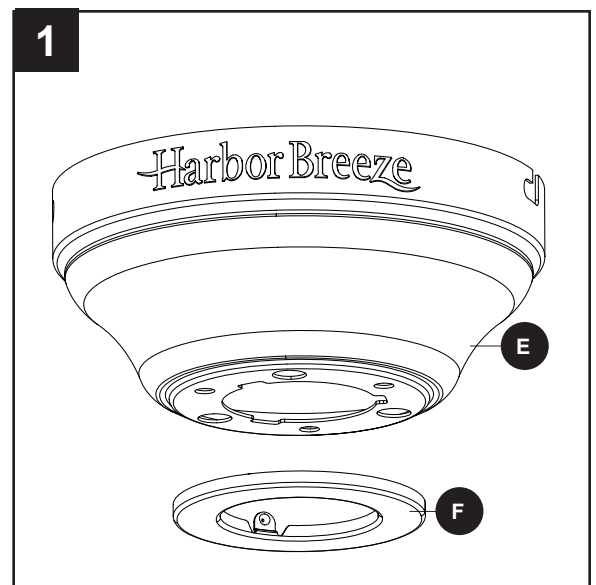
Proceed to the **Wiring** on page 12.



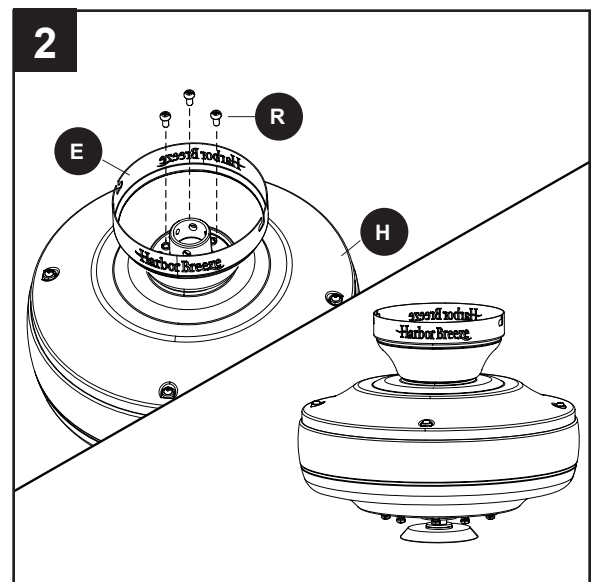
## CLOSEMOUNT INSTRUCTIONS

1. Remove the canopy cover (F) from the bottom of the canopy (E).

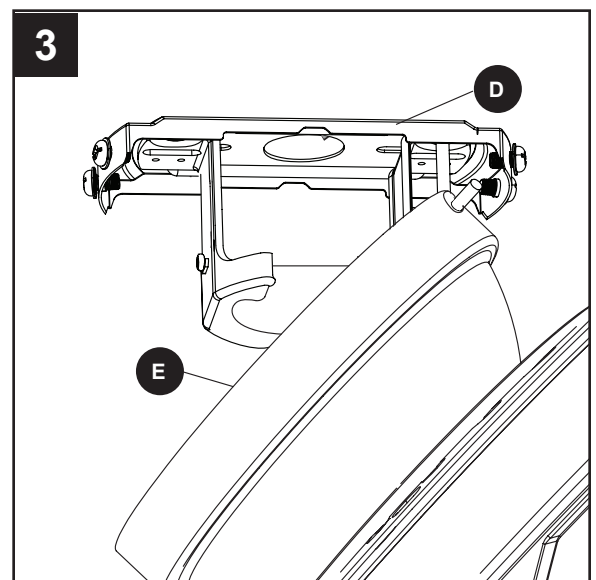
**Helpful Hint:** Closemount-style mounting is more suitable for ceilings lower than 8 ft. high. The downrod (A), yoke cover (G) and canopy cover (F) are not used in this type of installation.



2. Remove three Phillips-head closemount screws (R) from the top of the motor assembly (H). Align the canopy (E) with the holes in the top of the motor assembly (H), then re-install the Phillips-head closemount screws (R) to secure the canopy (E) to the top of the motor assembly (H).



3. Raise the fan and place the canopy (E) on the hook on the mounting bracket (D), temporarily leaving hands free for the wiring process.



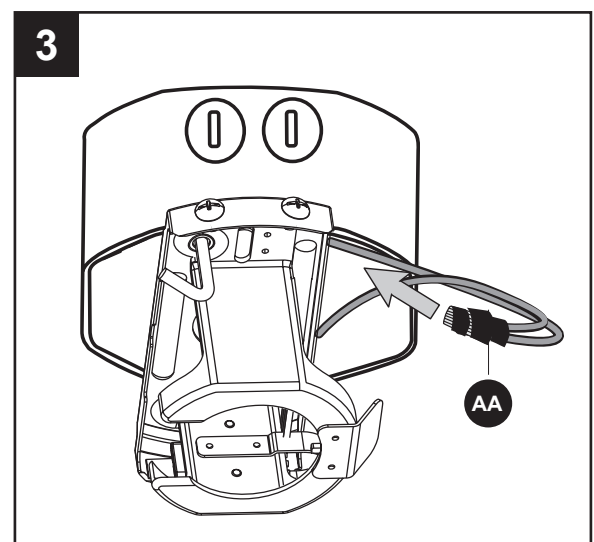
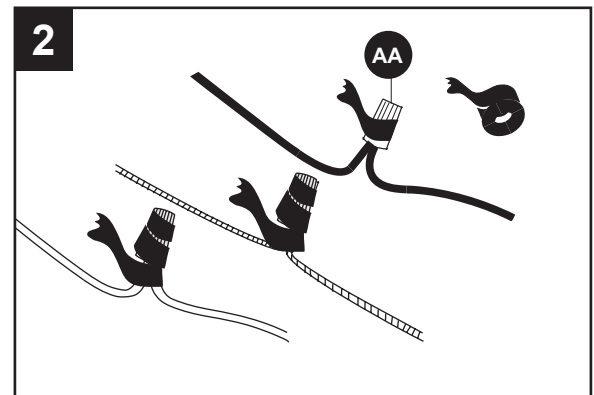
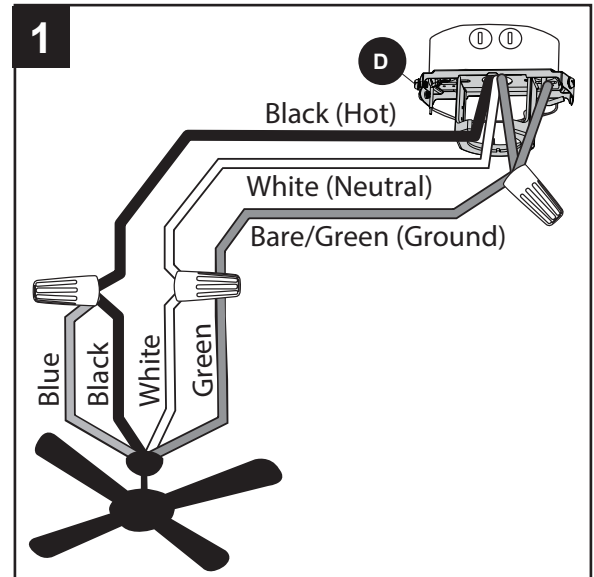
## WIRING

**⚠ WARNING:** To reduce the risk of fire, electrical shock, or personal injury, wire connectors provided with this fan are designed to accept only one 12-gauge house wire and two lead wires from the fan. If your house wire is larger than 12-gauge and there is more than one house wire to connect to the two fan lead wires, consult an electrician for the proper size wire connectors to use.

**CAUTION:** Be sure the outlet box (not included) is properly grounded or that a ground (green or bare) wire is present.

1. Connect supply and mounting bracket (D) wires according to the diagram and these steps:
  - Connect the Green wire from the downrod (A) and mounting bracket (D) to the Bare/Green supply wire.
  - Note:** Closemount installation does not use downrod (A), so there will only be two Green wires to connect.
  - Connect the White wire from the fan to the White supply wire.
  - Connect the Black and Blue wires from the fan to the Black supply wire.
  - Secure all wiring connections together with wire connectors (AA).

**Note:** The Black wire is hot power for the fan. The White wire is common. The Blue wire is hot power for light (sold separately; wiring instructions will differ if optional light kit is purchased. Refer to light kit manufacturer's instructions). The Green wire is the ground wire. If house wires are different colors than referred to above, it is recommended a professional electrician determines the proper wiring.



### Hardware Used

**AA** Wire Connector  x 3

2. Wrap electrical tape (not included) around each individual wire connector (AA) down to the wire.
3. Turn the spliced/taped wires upward and gently push the wires and wire connectors (AA) into the outlet box.

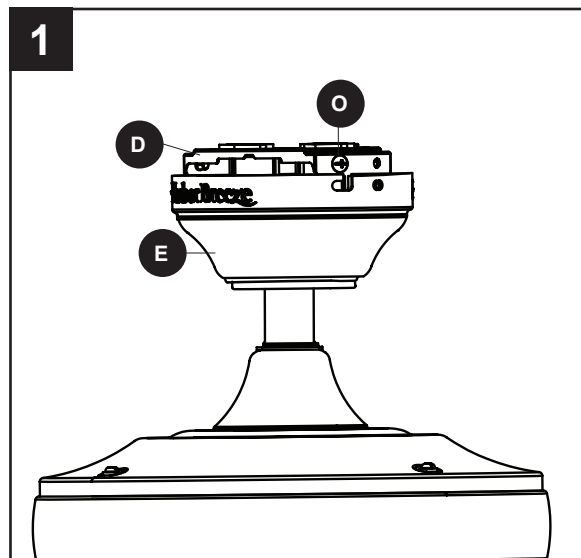
**⚠ WARNING:** Ensure no bare wire or wire strands are visible after making connections. Place the White wire connections on the opposite side of the outlet box from the Black and Blue wire connections.



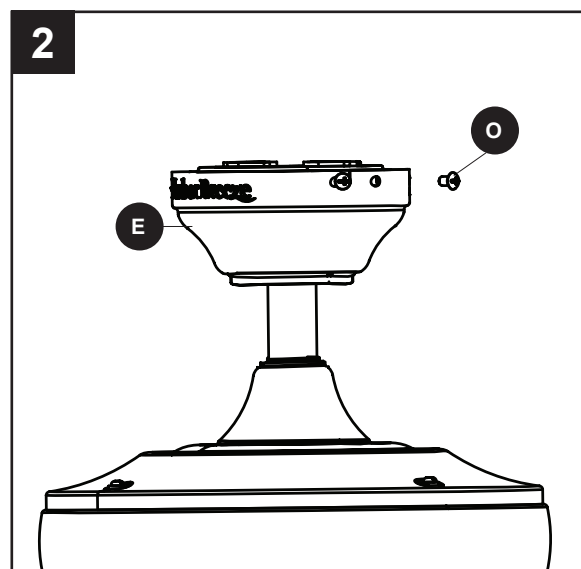
## FINAL INSTALLATION

**Note:** Closemount installation will not have the downrod (A), yoke cover (G) or canopy cover (F).

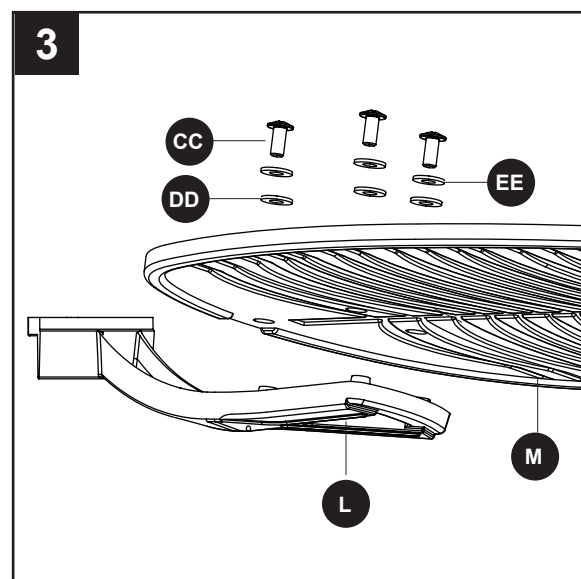
1. Align the canopy (E) over the loosened mounting bracket screws (O) preassembled on mounting bracket (D). Place the keyholes of the canopy (E) onto the mounting bracket screws (O) and rotate the canopy (E) clockwise.



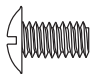
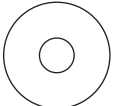
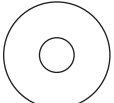
2. Secure the canopy (E) with the mounting bracket screws (O) previously removed (Step 4, page 8). Tighten all mounting bracket screws (O) securely.



3. Partially insert the blade screws (CC) along with the rubber washers (DD) and blade washers (EE) through the blade (M) and into the blade arm (L). Tighten each blade screw (CC) with a Phillips screwdriver (not included), starting with the one in the middle. Repeat this step for the remaining blades (M) and blade arms (L).



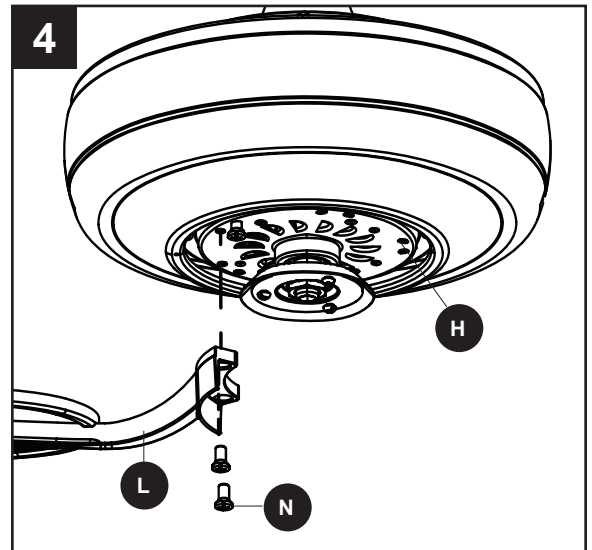
### Hardware Used

<b>CC</b>	Blade Screw		x 15
<b>DD</b>	Rubber Washer		x 15
<b>EE</b>	Blade Washer		x 15

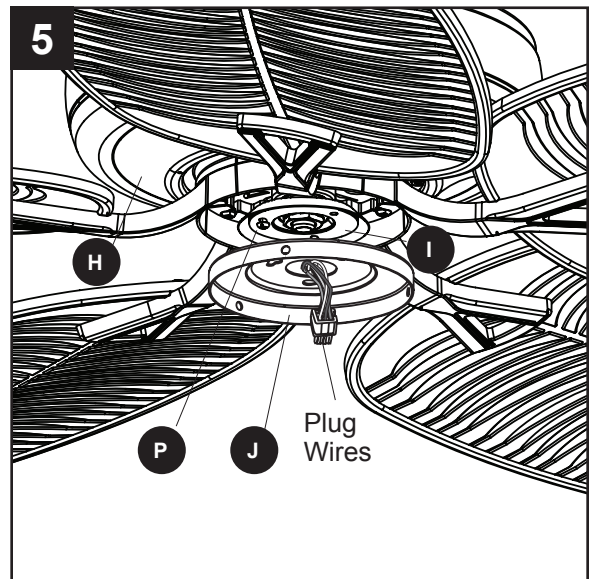
## FINAL INSTALLATION

4. Install the blade arm (L) to the underside of the motor assembly (H) with motor screws (N) previously removed (Step 6, page 8). Tighten with Phillips screwdriver.

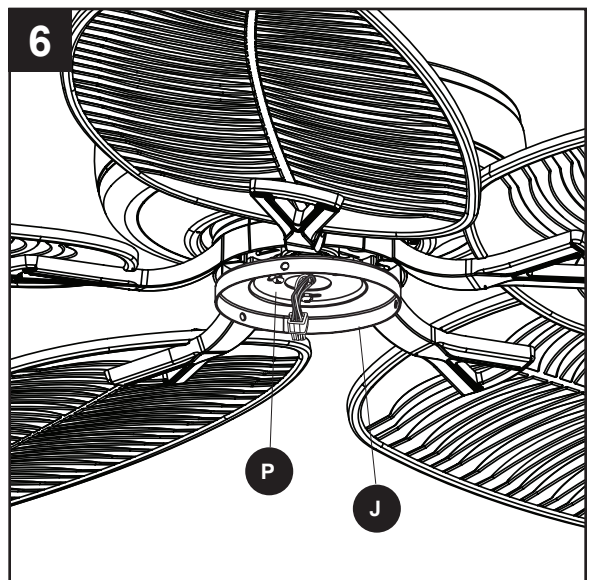
Repeat for each blade arm (L).



5. Remove one of the fitter plate screws (P) from the adapter plate (I) preassembled on the motor assembly (H) loosen (do not remove) the other two screws. Insert the 9-pin connector from the motor assembly (H) through the hole in the fitter plate (J).

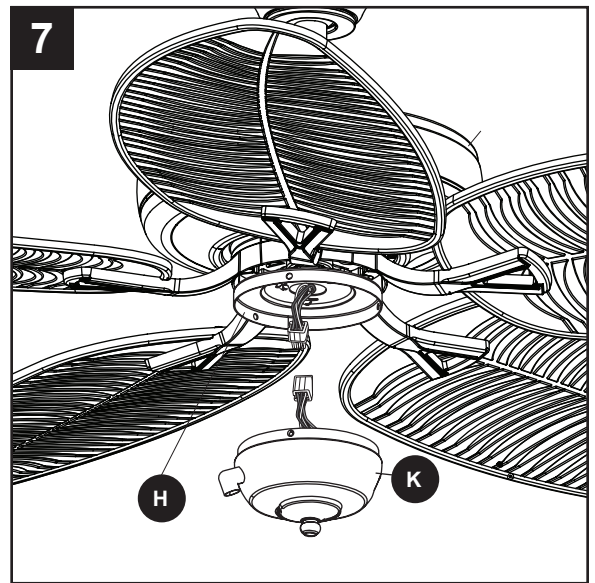


6. Attach the fitter plate (J) to the adapter plate by twisting the fitter plate (J) until the loosened fitter plate screws (P) engage the key slots on the fitter plate (J). Re-install the third fitter plate screw (P) into the closed hole in the fitter plate (J) and securely tighten all three fitter plate screws (P).

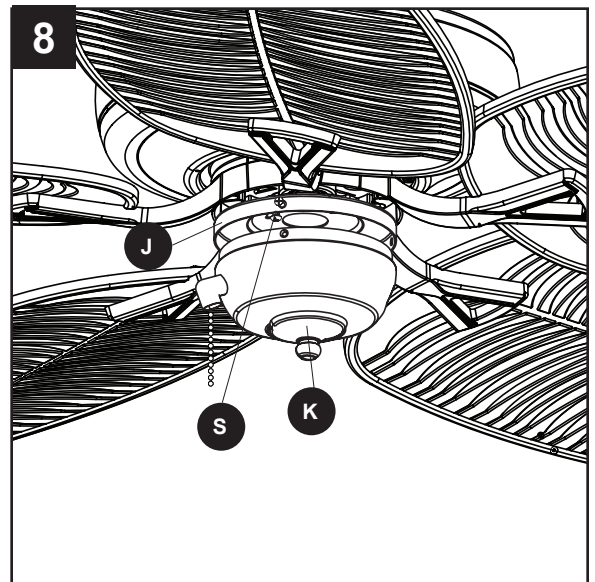


## FINAL INSTALLATION

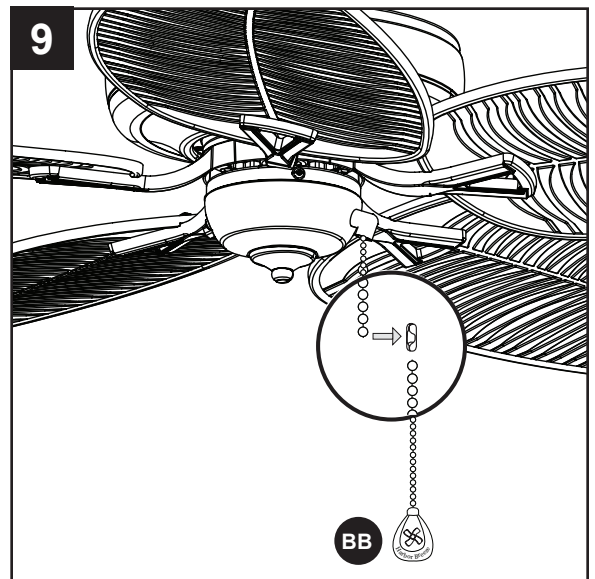
7. Remove the switch housing screws (S) preassembled to the switch housing (K). Then, connect the 9-pin connector from the motor assembly (H) to the 9-pin connector from the switch housing (K), and ensure the connections are secure.



8. Secure the switch housing (K) to the fitter plate (J) using the previously removed switch housing screws (S).



9. Attach the pull chain extension (BB) or custom pull chain extension (not included) to the fan pull chain.



### Hardware Used

BB

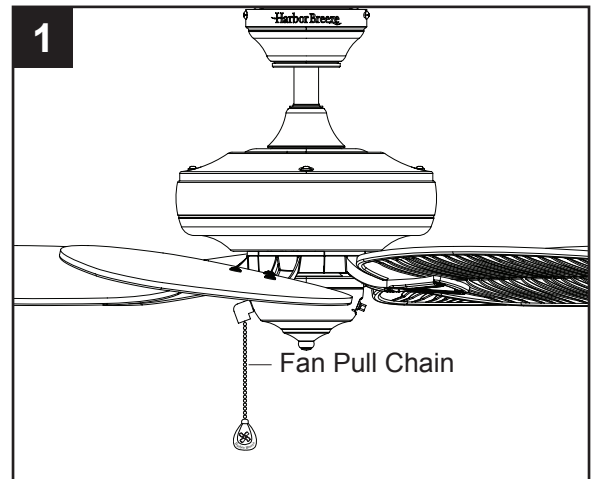
Pull Chain  
Extension

x 1



## OPERATING INSTRUCTIONS

1. The pull chain labeled FAN has four positions to control fan speed. One pull is HIGH, two is MEDIUM, three is LOW and four turns the fan OFF.



2. Use the fan reverse switch, located on the switch housing (K) to optimize your fan for seasonal performance.

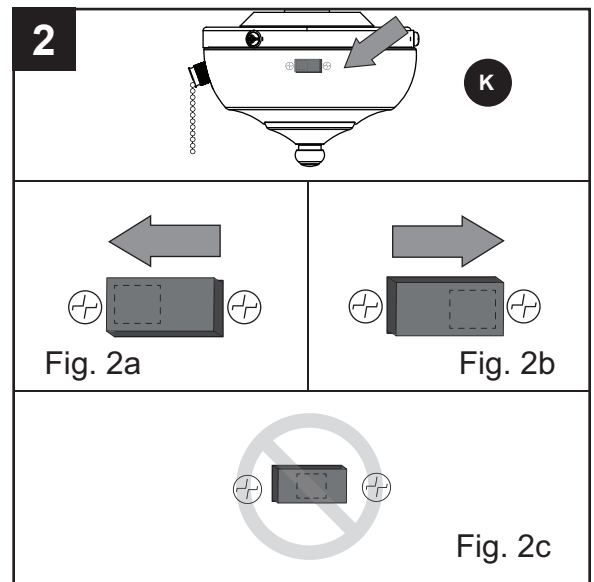
Using a ceiling fan will allow you to raise your thermostat setting in summer and lower your thermostat setting in winter without feeling a difference in your comfort.

**Note:** Wait for the fan to stop before moving the reverse switch.

2a. In warmer weather, push the reverse switch left, which will result in downward airflow creating a wind chill effect.

2b. In cooler weather, push the reverse switch right, which will result in upward airflow that can help move stagnant, hot air off the ceiling area.

**Important:** The reverse switch must be set either completely left or right in order for the fan to function correctly. If the reverse switch is set in the middle position, the fan will not operate Fig. 2c.





## CARE AND MAINTENANCE

At least twice each year, lower the canopy to check the downrod assembly, and then tighten all screws on the fan. Clean the motor housing with only a soft brush or lint-free cloth to avoid scratching the finish. Clean the blades with a lint-free cloth.

Shut off the main power supply before you begin any maintenance task. Do not use water or a damp cloth to clean the fan.

## TROUBLESHOOTING

PROBLEM	POSSIBLE CAUSE	CORRECTIVE ACTION
The fan does not move.	<ol style="list-style-type: none"> <li>1. The reverse switch is not engaged.</li> <li>2. The wall switch is turned off.</li> <li>3. The power is off or the fuse (breaker) is blown.</li> <li>4. There is a faulty wire connection.</li> </ol>	<ol style="list-style-type: none"> <li>1. Firmly push the reverse switch to either the left or right.</li> <li>2. Make sure the wall switch is turned on.</li> <li>3. Turn the power on or check the fuse (breaker).</li> <li>4. Turn the power off and check all connections at the ceiling outlet box.</li> </ol>
The fan is noisy.	<ol style="list-style-type: none"> <li>1. The blades are loose.</li> <li>2. There is a cracked blade.</li> <li>3. The wall control is not compatible with the fan.</li> <li>4. The outlet box is not secure.</li> <li>5. The mounting bracket is not secure.</li> </ol>	<ol style="list-style-type: none"> <li>1. Check and tighten all screws that hold the fan blades to the blade arms and the motor.</li> <li>2. Replace the cracked blade.</li> <li>3. Do not use a full range dimmer switch to control the fan speed.</li> <li>4. Ensure the outlet box is secured to the building structure.</li> <li>5. Ensure the mounting bracket is secured to the outlet box and that the screws are tight.</li> </ol>
There is excessive wobbling.	<ol style="list-style-type: none"> <li>1. The blades and/or blade arms are loose.</li> <li>2. The blades are unbalanced.</li> <li>3. The fan mounting is not secure.</li> <li>4. The fan is too close to the vaulted ceiling.</li> <li>5. The set screw on the motor assembly yoke is loose.</li> </ol>	<ol style="list-style-type: none"> <li>1. Check and tighten all screws that hold the fan blades to the blade arms and the blade arms to the motor.</li> <li>2. Switch one blade with a blade from the opposite side. Or balance the fan using a blade balancing kit (T).</li> <li>3. Turn off the power. Loosen the canopy and verify that the mounting bracket is secure to the electrical outlet box. The bracket must be flush without movement against the outlet box.</li> <li>4. Use a longer downrod or move the fan to another location.</li> <li>5. Lift up the yoke cover and tighten the set screw to the yoke until secure.</li> </ol>



## **LIFETIME LIMITED WARRANTY**

---

The manufacturer warrants this fan to be free from defects in workmanship and materials present at time of shipment from the factory for a lifetime from the date of purchase by the original purchaser. The retailer also warrants that all other fan parts, excluding any glass or plastic blades, to be free from defects in workmanship and material at the time of shipment from the factory for a period of one year after the date of purchase by the original purchaser. The manufacturer agrees to correct such defects without charge or at its option replace the ceiling fan with a comparable or superior model.

To obtain warranty service, present a copy of the receipt as proof of purchase. All costs of removing and reinstalling the product are your responsibility. Any damage to any part such as by accident or misuse or improper installation or by affixing any accessories, is not covered by this warranty. The manufacturer assumes no responsibility whatsoever for fan installation during the limited lifetime warranty. Any service performed by an unauthorized person will render the warranty invalid.

Due to varying climate conditions, this warranty does not cover any changes in brass finish, including rusting, pitting, corroding, tarnishing or peeling. Brass finishes of this type give their longest useful life when protected from varying weather conditions. Any glass provided with this fan is not covered by the warranty.

Any replacement of defective parts from the ceiling fan must be reported within the first year from the date of purchase. For the balance of the warranty, call our customer service department for return authorization and shipping instructions so that we may repair or replace the ceiling fan. Any fan or parts returned improperly is the sole responsibility of the purchaser. There is no other expressed warranty. The manufacturer disclaims any and all warranties. The duration of any implied warranty which cannot be disclaimed is limited to the time period as specified in the expressed warranty. The manufacturer shall not be liable for incidental, consequential, or special damages arising out of or in connection with product use or performance except as may otherwise be accorded by law. This warranty gives specific legal rights, and you may also have other rights which vary from state to state.

This warranty supersedes all prior warranties.

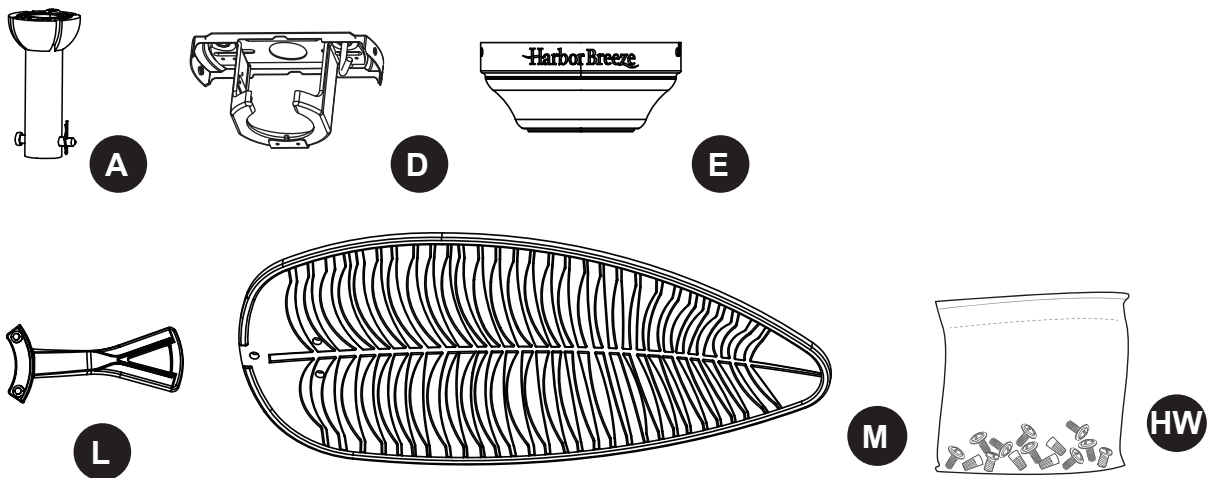
**Note:** A small amount of “wobble” is normal and should not be considered a defect.



## REPLACEMENT PARTS LIST

For replacement parts, call the customer service department at 1-800-643-0067, 8 a.m. - 6 p.m., EST, Monday - Thursday, 8 a.m. - 5 p.m., EST, Friday.

PART	DESCRIPTION	PART #
A	Downrod	0451809-A
D	Mounting Bracket	0451809-D
E	Canopy	0451809-E
L	Blade Arm	0451809-L
M	Blade	0451809-M
HW	Hardware Bag	0451809-HW



Printed in China

Harbor Breeze® is a registered trademark of LF, LLC.

All Rights Reserved