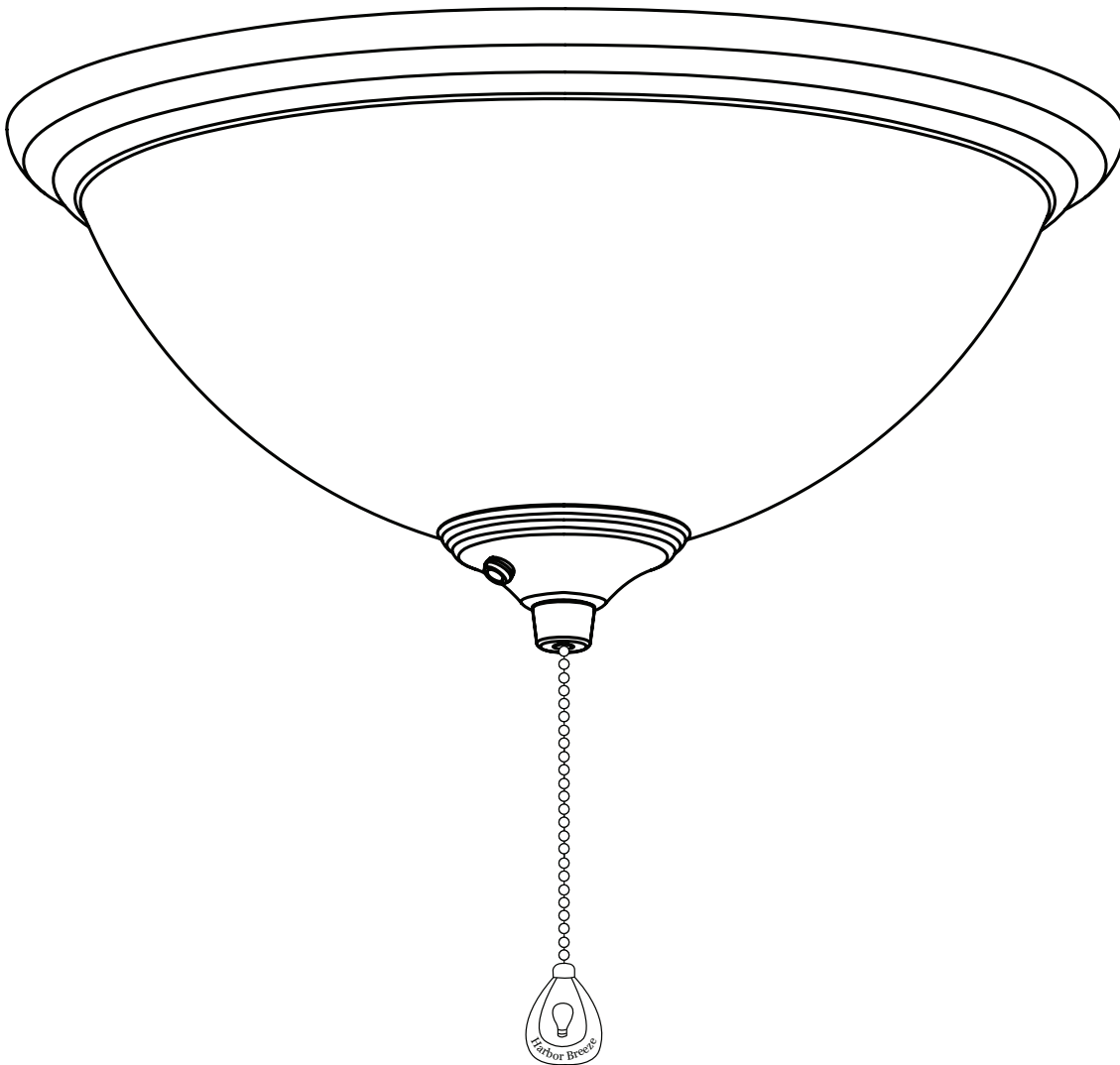




ITEM #0717248
CEILING FAN LIGHT KIT
MODEL #41150

Español p. 9

Harbor Breeze® is a registered trademark of LF, LLC. All Rights Reserved.



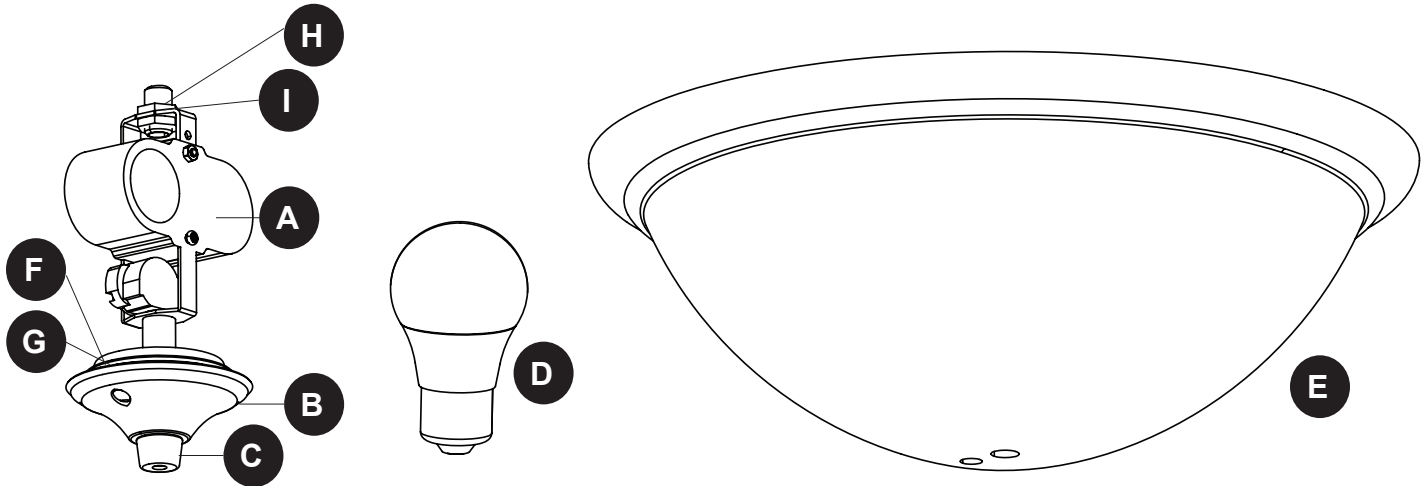
ATTACH YOUR RECEIPT HERE

Purchase Date _____



Questions, problems, missing parts? Before returning to your retailer, call our customer service department at 1-800-643-0067, 8 a.m. - 6 p.m., EST, Monday - Thursday, 8 a.m. - 5 p.m., EST, Friday.

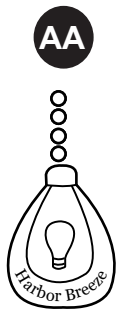
PACKAGE CONTENTS



| PART | DESCRIPTION | QUANTITY |
|------|--|---------------|
| A | Light Kit Fitter | 1 |
| B | Finial Cap | 1 + 3 extra * |
| C | Finial | 1 + 3 extra * |
| D | Bulb | 3 |
| E | Glass Bowl | 1 |
| F | Rubber Washer (preassembled to Light Kit Fitter [A]) | 1 |
| G | Nut (preassembled to Light Kit Fitter [A]) | 1 |
| H | Hex Nut (preassembled to Light Kit Fitter [A]) | 1 |
| I | Lock Washer (preassembled to Light Kit Fitter [A]) | 1 |

* Select the parts that match the metal finish of your fan prior to beginning installation.

HARDWARE CONTENTS (shown actual size)



Chain Extension
Qty. 1



Wire Connector
Qty. 2+1 extra

SAFETY INFORMATION

Please read and understand this entire manual before attempting to assemble, operate or install the product.

- Before you begin installing the light kit, disconnect the power by removing fuses or turning off the circuit breakers.
- Make sure that all electrical connections comply with local codes, ordinances, the National Electrical Code, and ANSI/NFPA 70-199. Hire a qualified electrician or consult a do-it-yourself wiring handbook if you are unfamiliar with installing electrical wiring.
- The net weight of the light kit is less than 4.4 lbs.



DANGER:

- DO NOT connect this fixture to an electrical system that does not provide a means for equipment grounding. Never use a fixture in a two-wire system that is not grounded. Installing a fixture into an electrical system not having a proper grounding means could cause metal parts of the fixture to carry electrical currents if any of the fixture wires, wire connections or splices were to become broken, cut or loose during the mounting or normal operation of the fixture. Under this condition, anyone coming in contact with the fixture would be subject to electrical shock, which could cause serious injury or death.
- DO NOT connect the bare or green insulation fixture ground wire to the black (hot) current-carrying wire or the white neutral house wire. Connection of the bare or green fixture ground wire to the black or white house wires may cause metal parts of the fixture to carry electrical currents. Under this condition anyone coming in contact with the fixture will receive electrical shock, which could cause serious injury or death.
- DO NOT damage or cut the wire insulation (covering) during installation of the fixture. DO NOT permit wires to contact any surface having a sharp edge. To do so may damage or cut the wire insulation, which could cause serious injury or death from electrical shock.



WARNING:

- All electrical connections must be in agreement with local codes and ordinances, the National Electric Code (NEC) and ANSI/NFPA 70-1999. Contact your municipal building department to learn about your local codes, permits and/or inspections. Risk of fire - most dwellings built before 1985 have supply wire rated for 140°F. Consult a qualified electrician before installation.
- To avoid personal injury, the use of gloves may be necessary while handling fixture parts with sharp edges.
- DO NOT suspend any fixture by the house wires. A fixture must always be mounted directly to a ceiling fan that is mounted directly to an outlet box. Wire connectors will not support the weight of a fixture. Suspending a fixture by the house wires and wire connectors will result in the fixture falling, with the possibility of personal injury and the danger of electrical shock or fire.
- To reduce the risk of fire, electrical shock or personal injury, each wire connector used with this light kit should accept only one 12-gauge wire from the light kit and one 12-gauge wire from the ceiling fan. If there are three or more wires to connect or any of the wires is larger than 12-gauge, consult an electrician for the proper size wire connectors to use.
- To reduce the risk of fire or electric shock, do NOT use a full-range dimmer switch to control the light kit.

SAFETY INFORMATION

! CAUTION:

- TURN OFF ELECTRICITY at the main fuse box (or circuit breaker box) before beginning installation by removing the fuse (or switching the circuit breaker off).
- All fixtures must be mounted to a ceiling fan that is mounted to an outlet box that is supported by the building structure.
- DO NOT use bulbs having a wattage greater than the maximum value stated on the fixture. The use of bulbs with higher wattage than specified will increase temperatures and risk of fire.
- This equipment has been tested and found to comply with the limits for a Class B digital device, pursuant to Part 15 of the FCC Rules. These limits are designed to provide reasonable protection against harmful interference in a residential installation. This equipment generates, uses and can radiate radio frequency energy and, if not installed and used in accordance with the instructions, may cause harmful interference to radio communications. However, there is no guarantee that interference will not occur in a particular installation. If this equipment does cause harmful interference to radio or television reception, which can be determined by turning the equipment off and on, the user is encouraged to try to correct the interference by one or more of the following measures:
 - Reorient or relocate the receiving antenna.
 - Increase the separation between the equipment and receiver
 - Connect the equipment into an outlet on a circuit different from that to which the receiver is connected.
 - Consult the dealer or an experienced radio/TV technician for help.Please note changes or modifications not expressly approved by the party responsible for compliance could void the user's authority to operate the equipment.

PREPARATION

Before beginning the assembly of this product, ensure all parts are present. Compare all parts with the package contents list and hardware contents list. If any part is missing or damaged, do not attempt to assemble the product.

Estimated Assembly Time: 30 minutes

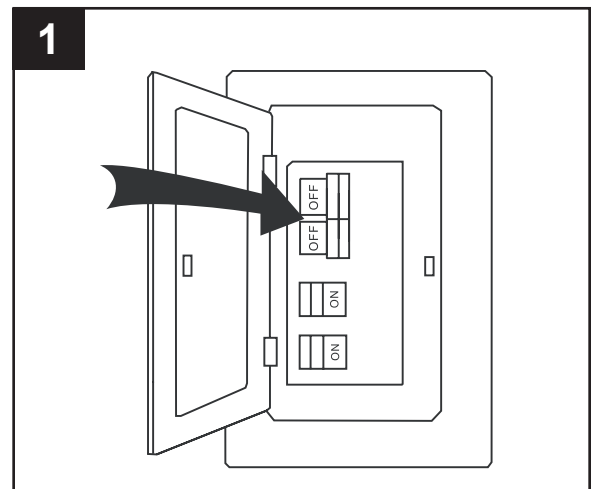
Tools Required for Assembly (not included): Electrical Tape, Phillips Screwdriver, Pliers, Safety Glasses, Step Ladder, Wire Cutters and Wire Strippers

Helpful Tools (not included): AC Tester Light, Tape Measure and Wiring Handbook

ASSEMBLY INSTRUCTIONS

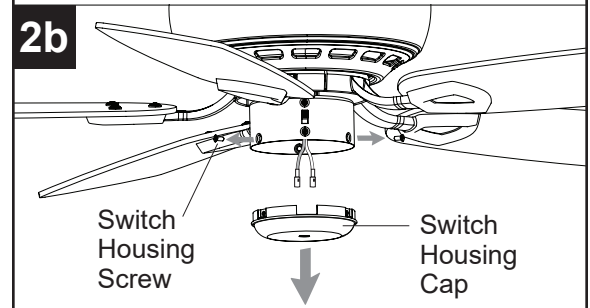
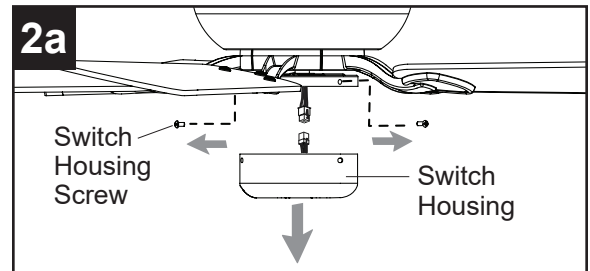
1. Turn off the circuit breakers and the wall switch to the fan supply line leads.

! **DANGER:** Failure to disconnect the power supply prior to installation may result in serious injury or death.

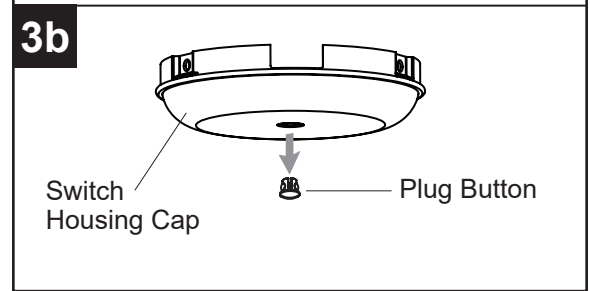
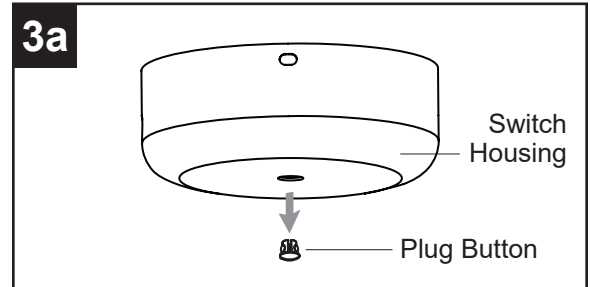


ASSEMBLY INSTRUCTIONS

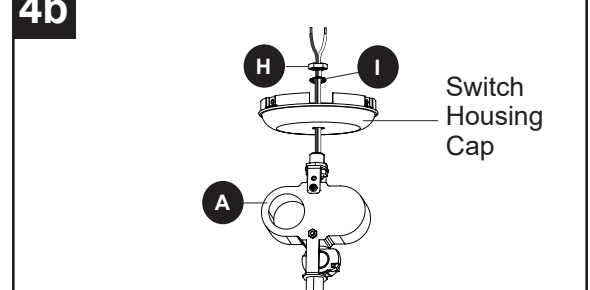
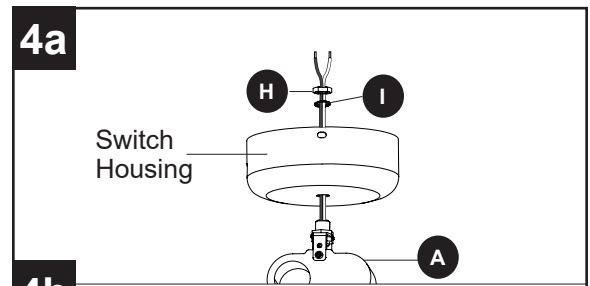
2. Remove the three switch housing screws and switch housing (Fig. 2a) or switch housing cap (Fig. 2b) from the existing fan and save for later use. If applicable, disconnect the plugs located inside the switch housing.



3. Use a screwdriver (not included) to push out the plug button from either the switch housing (Fig. 3a) or the switch housing cap (Fig. 3b).



4. Remove the hex nut (H) and lock washer (L) from the rod on the top of the light kit (A). Gently feed the wires from the light kit (A) through the hole in the center of the switch housing (Fig. 4a) or switch housing cap (Fig. 4b). Thread the rod from the light kit (A) into the switch housing or switch housing cap. Then thread the wires through the lock washer (L) and hex nut (H) and tighten the hex nut (H) and lock washer (L) to secure the light kit to the switch housing or switch housing cap.



ASSEMBLY INSTRUCTIONS

- Use the wire connectors (BB) to connect the fan wires with the wires in the light kit - white to white and blue to black (5a, 5b). If applicable, reconnect the male plug from the motor housing to the female plug from the switch housing (Fig. 5a). Ensure the plugs connect securely.

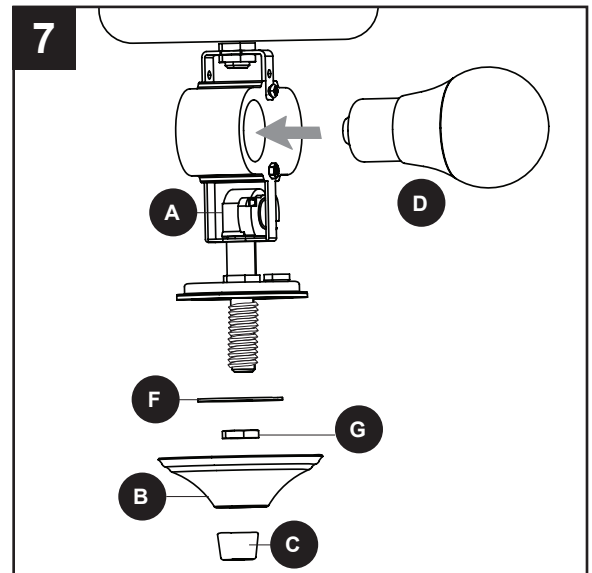
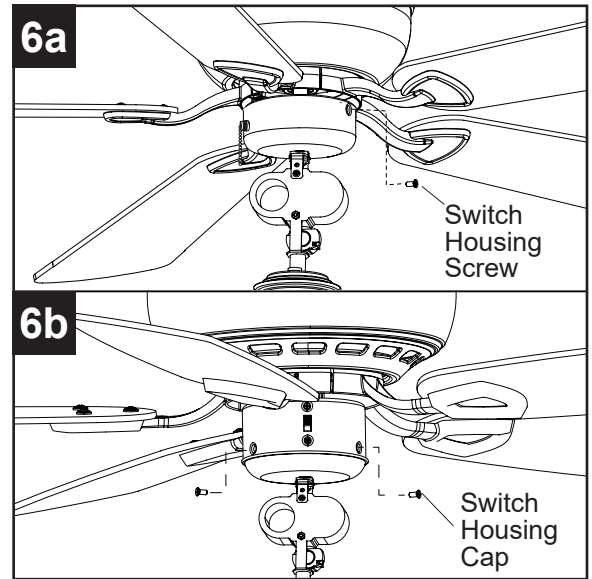
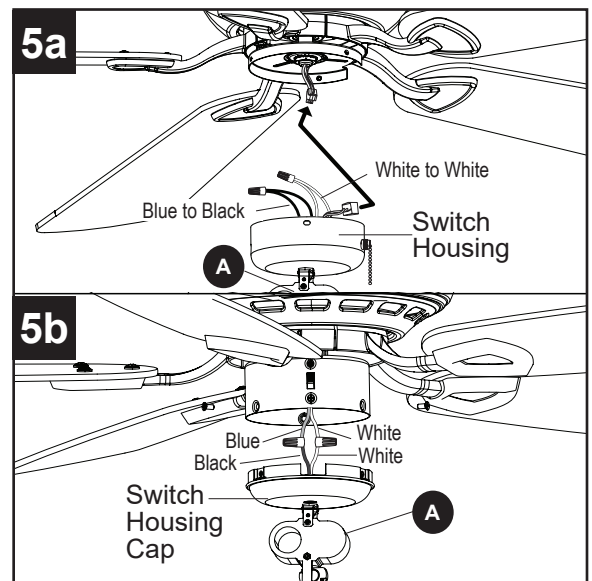
Hardware Used

- BB** Wire Connector  x 2

- Reattach the switch housing (Fig. 6a) or switch housing cap (Fig. 6b) along with the light kit using three previously removed switch housing screws. Tighten all screws securely.

Note: To reconnect the switch housing cap (Fig. 6b), align the notch in the switch housing cap with the reverse switch.

- Install the bulbs (D) into the sockets on the light kit (A). Then remove the finial (C), finial cap (B), nut (G) and rubber washer (F) from the light kit (A).



ASSEMBLY INSTRUCTIONS

8. Remove the pull chain extension from the fan pull chain coming from the switch housing. Feed light chain coming from the center of the light kit (A) through the center hole in the glass bowl (E). Feed the fan pull chain coming from the switch housing through the off-center hole in the glass bowl (E). Then, feed the chains through the appropriate holes in the finial cap (B) and the hole in the finial (C). Lift the glass bowl (E) up until the threaded rod of the light kit (A) is visible, then install the rubber washer (F) and nut (G) to secure it. Lift the finial cap (B) up until it is flush with the glass bowl (E) and screw the finial (C) onto the threaded rod of the light kit (A).

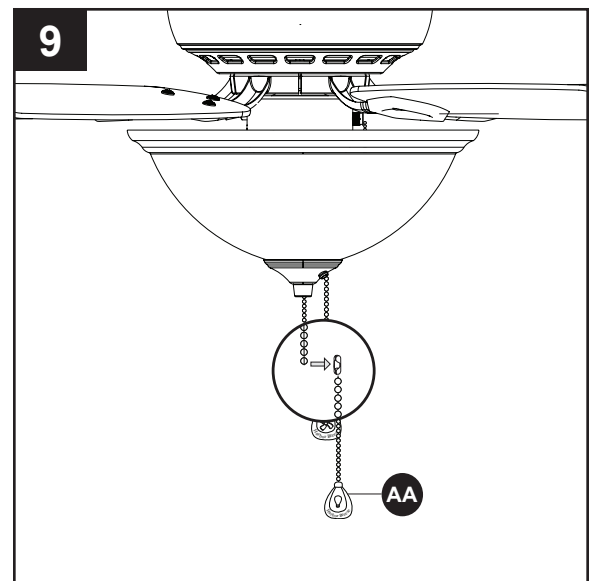
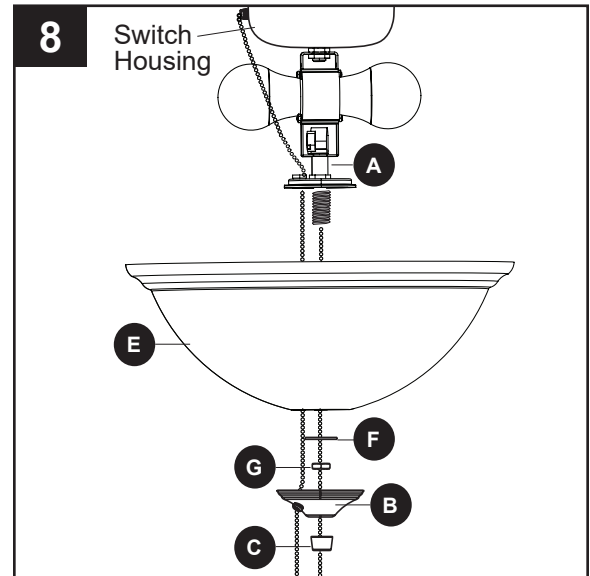
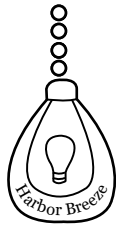
9. Attach chain extension (AA) to the light chain and reattach the previously removed extension to the fan pull chain.

Hardware Used

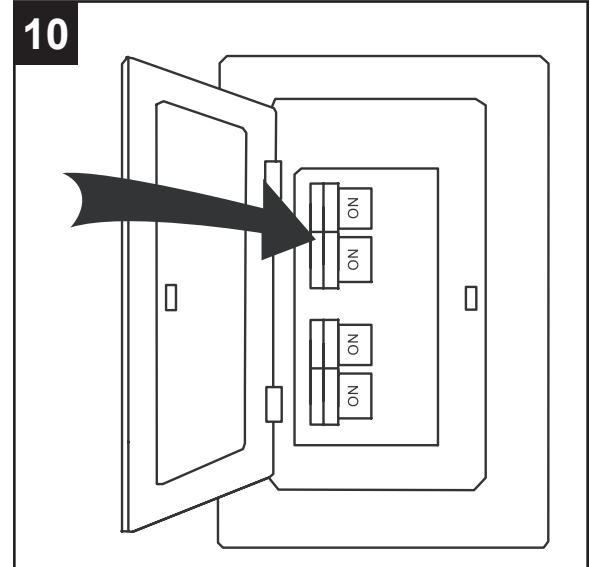
AA

Pull Chain
Extension

x 1



10. Turn on the circuit breakers and the wall switch to the fan supply line leads.



CARE AND MAINTENANCE

Bulb Replacement: Use E26-base A15 LED bulbs or incandescent or CFL equivalent.

TROUBLESHOOTING

| PROBLEM | POSSIBLE CAUSE | CORRECTIVE ACTION |
|-----------------------|--|--|
| Bulbs will not light. | <ol style="list-style-type: none">1. The bulbs are not installed correctly.2. The light kit wire plugs are not connected properly.3. Faulty wire connection. | <ol style="list-style-type: none">1. Reinstall the bulbs.2. Ensure the male and female plugs are connected properly.3. Turn the power off and check all connections at the ceiling outlet box. |

ONE-YEAR LIMITED WARRANTY

The manufacturer warrants all of its lighting fixtures against defects in materials and workmanship for one (1) year from the date of purchase. If within this period the product is found to be defective, take a copy of the bill of sale as a proof of purchase and the product in its original carton to the place of purchase. The manufacturer will, at its option, repair, replace or refund the purchase price to the consumer. All costs of installation and removal of the fixture is the responsibility of the consumer. This warranty does not cover fixtures becoming defective due to misuse, accidental damage or improper handling and/or installation and specifically excludes liability for direct, incidental or consequential damages. As some states do not allow exclusions of limitations on an implied warranty, the above exclusion and limitation may not apply. This warranty gives you specific rights and you may also have other rights which may vary from state to state.