

styleselections™

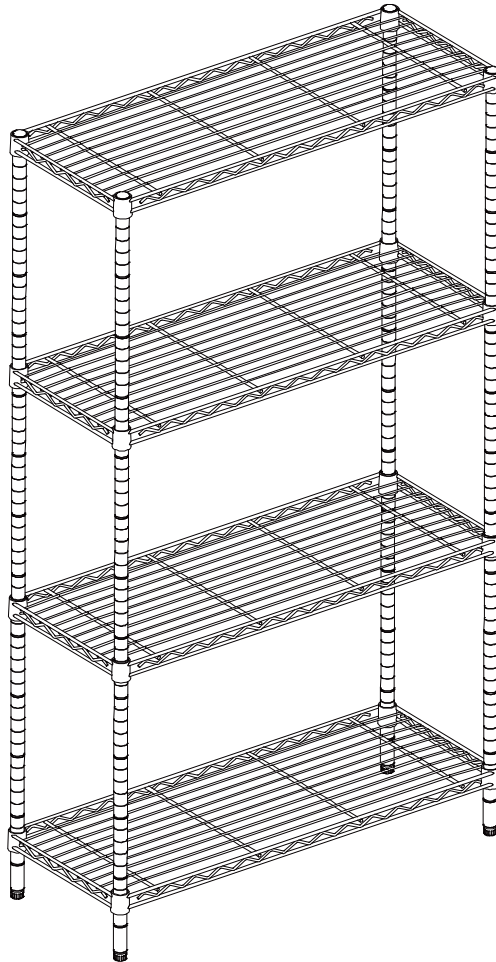
ITEM #0190443,0062870,0064014

4-TIER SHELF RACK

MODEL #143654W-DS,143654B-DS,143654C-DS

Français p.9

Español p.17



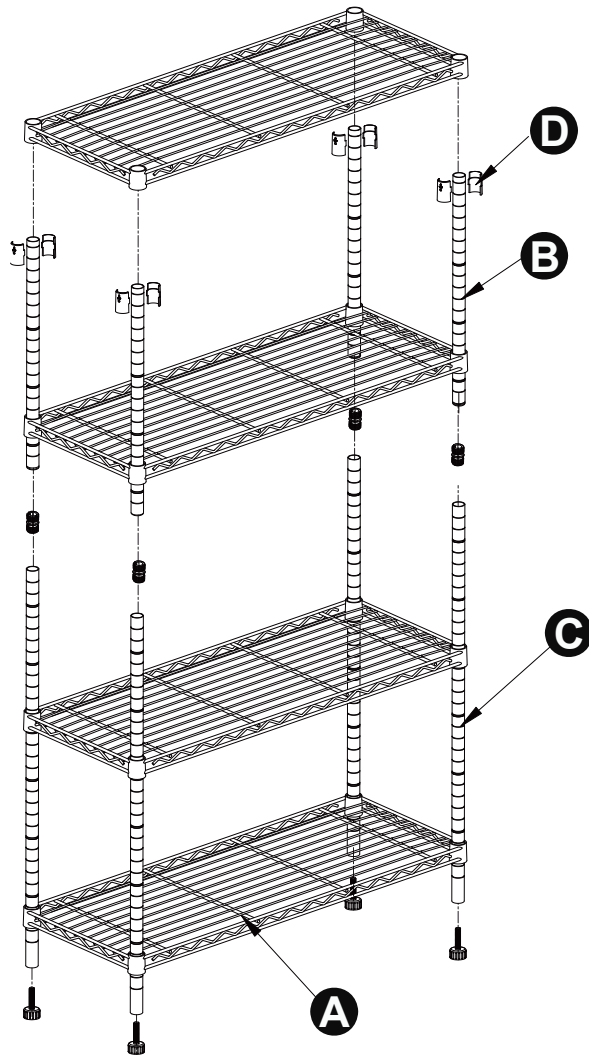
ATTACH YOUR RECEIPT HERE

Serial Number _____ Purchase Date _____



Questions, problems, missing parts? Before returning to your retailer, call our customer service department at 1-877-888-8225, 8 a.m. - 8 p.m., EST, Monday - Friday.

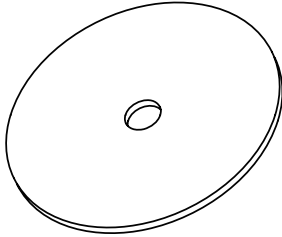
PACKAGE CONTENTS



PART	DESCRIPTION	QUANTITY
A	Shelves	4
B	Top Rods (post joiners pre-installed in rods)	4
C	Bottom Rods (foot levelers pre-installed in bottom of rods)	4
D	Spacers	32

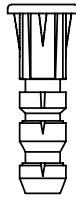
HARDWARE CONTENTS

AA



Washer
Qty. 2

BB



Plastic Anchor
Qty. 2

CC



Screw
Qty. 2

SAFETY INFORMATION

Please read and understand this entire manual before attempting to assemble, operate or install the product.

- Two adults required for a safe assembly. Use care when handling.
- Do not allow children to climb or play in or around the shelves.
- Each shelf holds up to 350 lbs., evenly distributed.
- Assemble on a soft surface, such as carpeting, to avoid scratching the finish.

PREPARATION

Before beginning assembly of product, make sure all parts are present. Compare parts with package contents list and hardware contents. If any part is missing or damaged, do not attempt to assemble the product.

Estimated Assembly Time: 25 minutes (depending on mounting option).

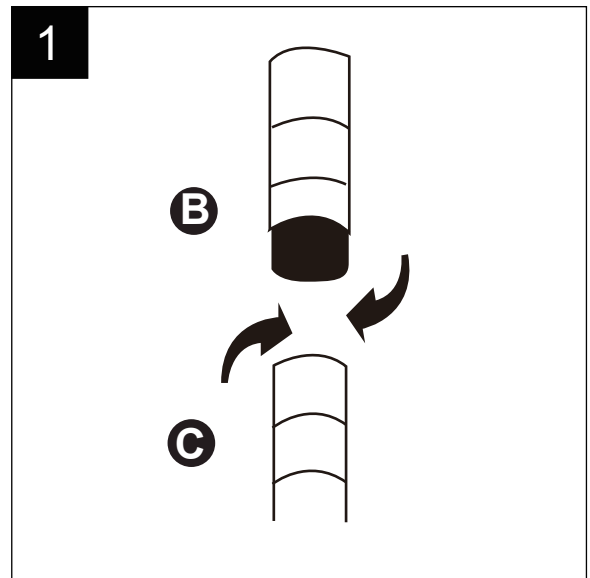
Tool required for securing unit to wall (not included): Drill and 1/4 in. drill bit.

Helpful Tools (not included): Rubber mallet.

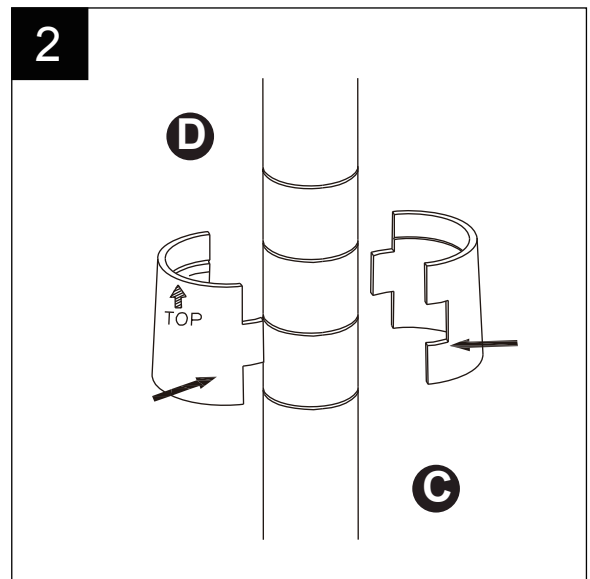
- Carefully read all instructions, warnings, notes and cautions before beginning assembly.
- Decide on the shelf location before beginning the assembly. Once the product is assembled, it is very difficult to move a shelf without taking the entire assembly apart and starting over.
- Use the grooves on the vertical rods as a “ruler” to properly position the shelves.

ASSEMBLY INSTRUCTIONS

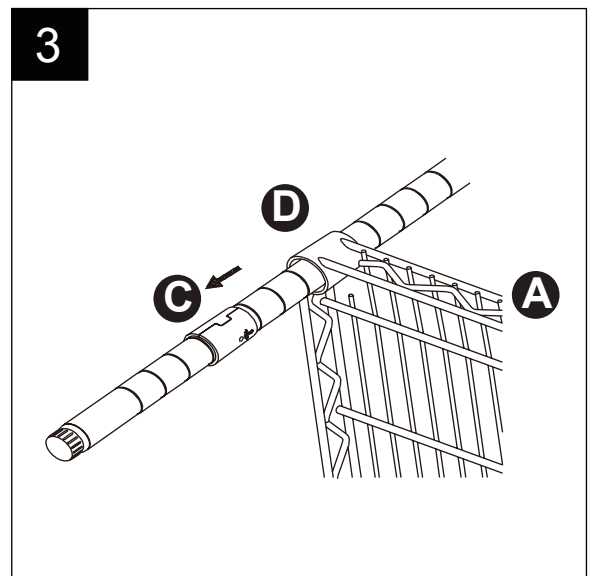
1. Screw the top rods (B) onto the threaded ends of the bottom rods (C). Be sure the connection is secure.



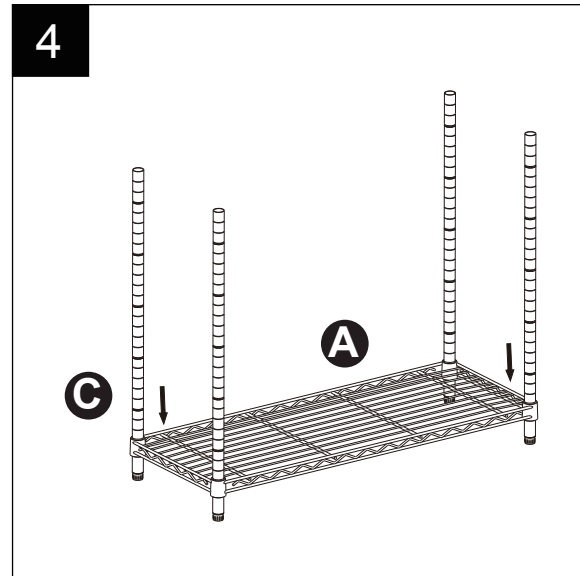
2. Attach two spacers (D) at about the third groove (from the foot levelers) on each bottom rod (C) assembly. **Note:** Be sure the arrows on the spacers point upward.



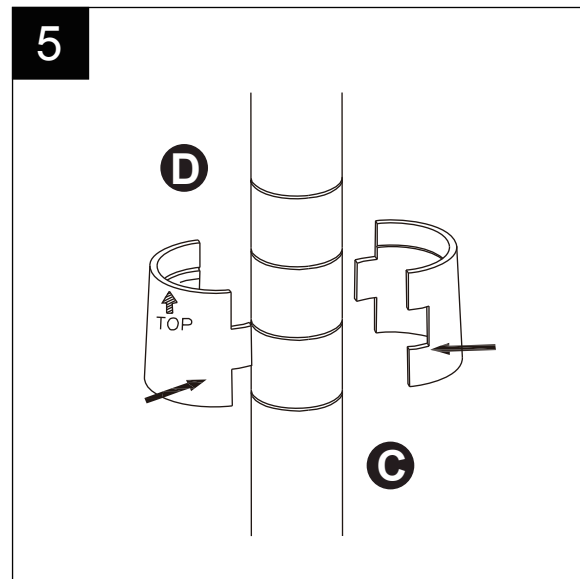
3. Place the bottom rods (C) through the corner holes of one shelf (A). Push the shelf (A) down until the corners fit securely over each spacer (D). Hint: If the corners do not fit securely over each spacer, make certain the arrows on the spacers (D) point upward.



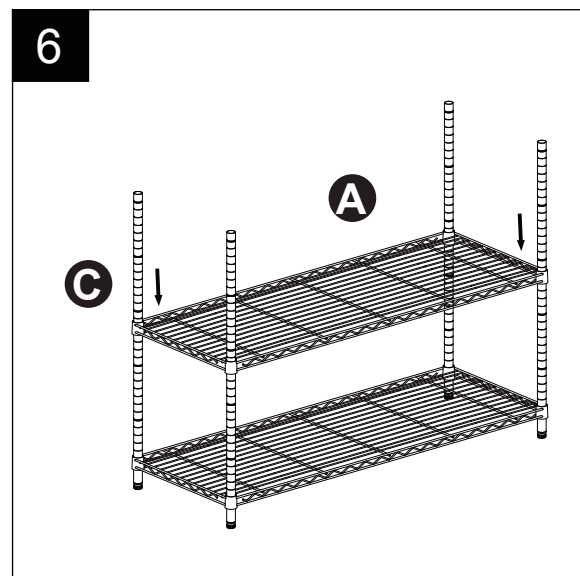
4. Stand the assembly upright.



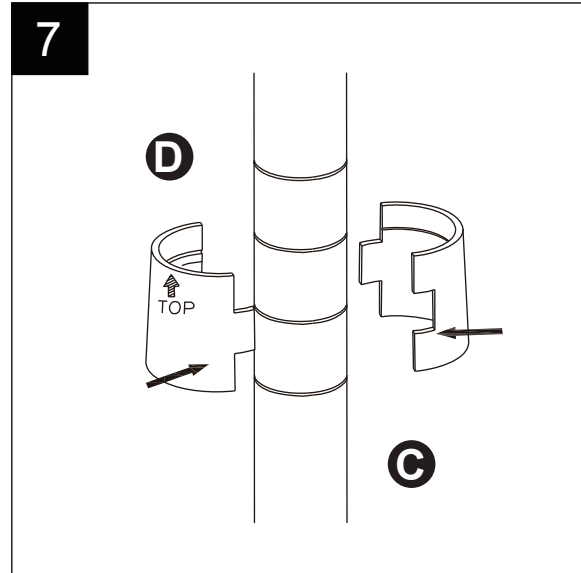
5. Attach two spacers (D) at about the fifteenth groove (from the bottom shelf (A)) on each bottom rod (C) assembly.



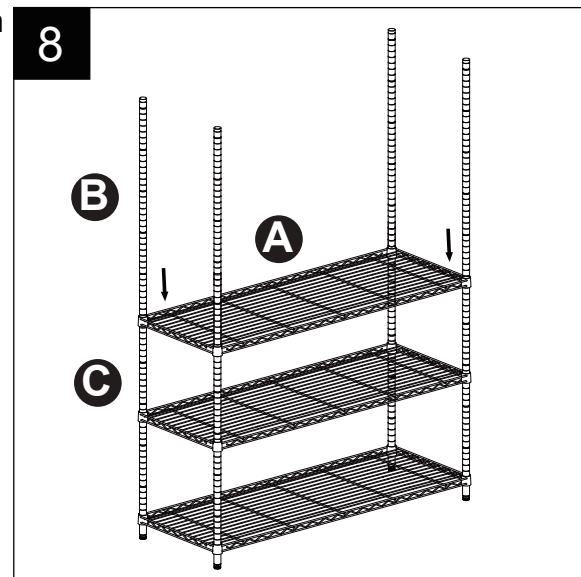
6. Place a second shelf (A) over the rods. Push down until the corners fit securely over each spacer (D).



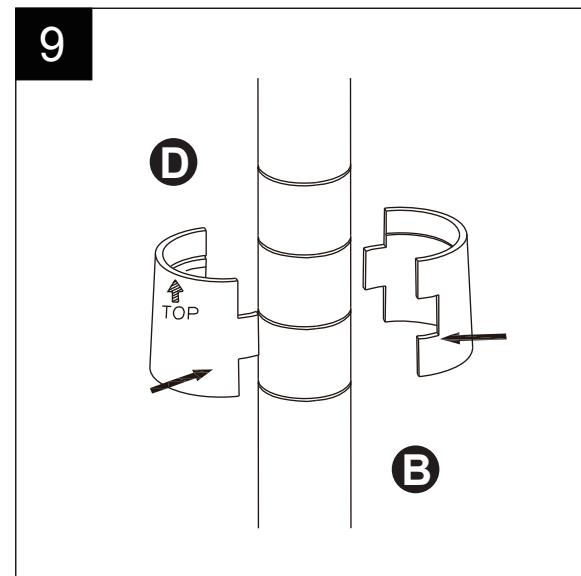
7. Attach two spacers (D) at about the fifteenth groove (from the second shelf (A)) on each bottom rod (C) assembly.



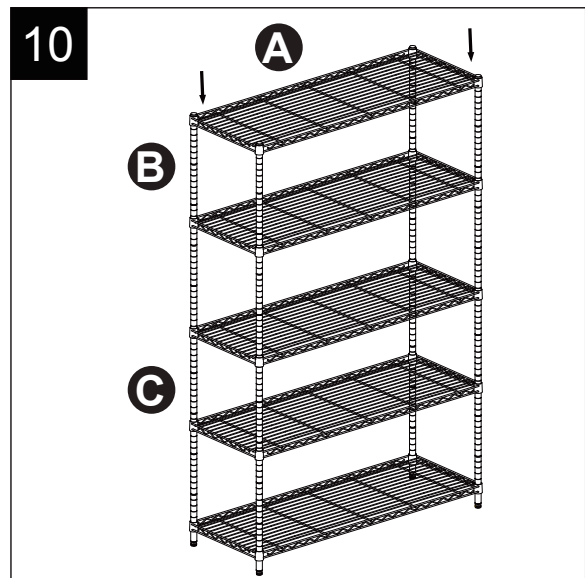
8. Place a third shelf (A) over the top rods (B). Push down until the corners fit securely over each spacer (D).



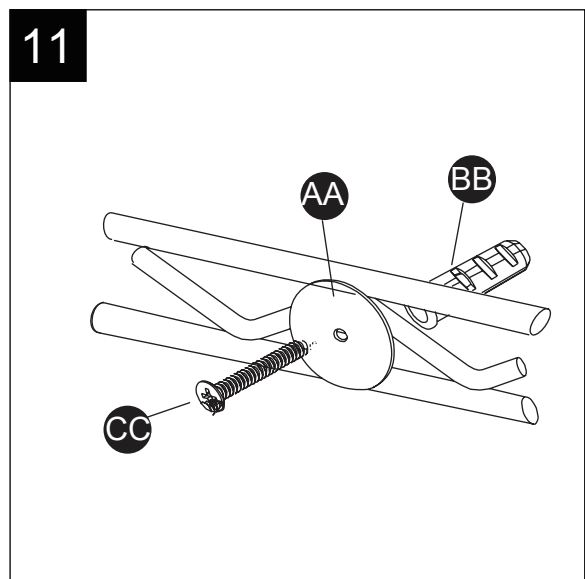
9. Attach two spacers (D) at about the fifteenth groove (from the third shelf (A)) on each top rod (B) assembly.



10. Slace the remaining shelf (A) over the top rods (B). Push down until the corners fit securely over each spacer (D).



11. To prevent the unit from tipping over, secure it to a wall in the following manner: Drill a hole in the wall using a 1/4 in. drill bit (not included). Insert the plastic anchor (BB) into the hole. Insert the screw (CC) through the washer (AA) then through the back of the top shelf wire and into the plastic anchor (BB) as shown. Be sure unit is secure and doesn't wobble or tip over.



CARE AND MAINTENANCE

- Periodically check the casters (sold separately), and spacers to be sure they are secure.
- Never use abrasive or acid-based cleaners on the shelf rack.
- Clean shelves and rods with a solution of mild detergent and water. Use a soft cloth or sponge to wipe parts. Rinse and dry thoroughly.
- Keep surfaces dry and clean for a longer lasting finish.

REPLACEMENT PART LIST

For replacement parts, call our customer service department at 1-877-888-8225, 8 a.m. - 8 p.m., EST, Monday - Friday.

PART DESCRIPTION		PART #
A	Shelves	1
B	Top Rods	2
C	Bottom Rods	3
D	Spacers	4
AA	Washer	5
BB	Plastic Anchor	6
CC	Screw	7

