

Pro 3.0 Series



Warning: Excessive weight hazard!

Use two or more people to move, assemble or install cabinets and locker to avoid back injury.

Do not leave children unattended near cabinets. High risk of tipping if cabinets are installed incorrectly; securely attach cabinets to the wall to avoid serious injury.

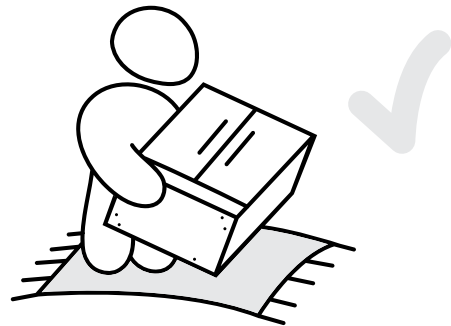
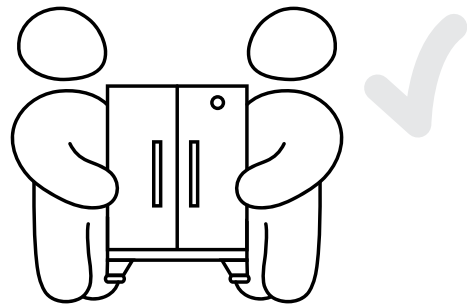
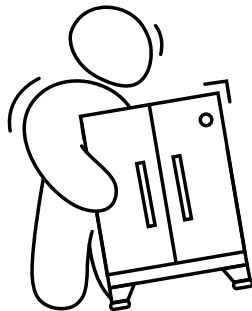
For assistance, call 1.877.306.8930; for UK 0800.031.4069; e-mail at info@newageproducts.com

INDEX

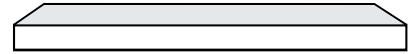
Index - 2	Installing worktop support bracket - 11
Guidelines and weight capacity - 2-3	Attaching worktop(on 2 cabinets) - 12
Parts list - 4	Installing closet rod -13
Tools needed - 5	Installing shelves - 14
Warranty - 5	Securing cabinets to drywall/stud wall -15
Attaching feet - 6	Hanging cabinets on stud wall - 16-19
Attaching casters - 7	Hanging cabinets on slatwall - 20-21
Removing and inserting drawers - 8	Fastening cabinets together - 22
Installing corner cabinet - 9	Attaching light valance - 23
Stacking cabinets - 10	Utility hole - 24

Unpacking

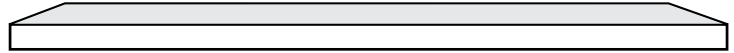
- Begin by placing the package on a covered flat surface.
- Remove all cardboard, foam packaging material and clear plastic bags.
- Dispose / recycle all packaging materials.
- Verify all the contents in the box and gather the required tools. See "Parts Supplied" and "Tools Needed" on pages 4 and 5



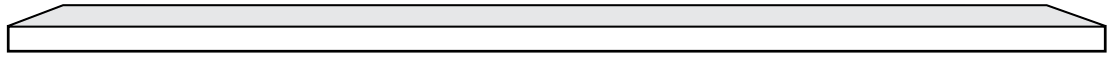
Worktop



24" Corner Worktop

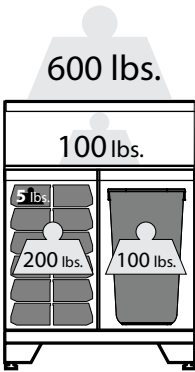


56" Worktop. Fits over 2 Cabinets

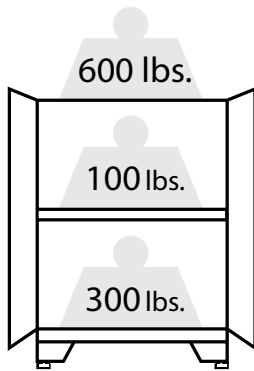


84" Worktop. Fits over 3 Cabinets

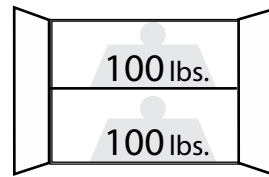
Weight Capacity



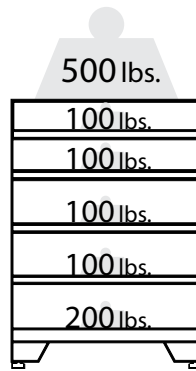
Split Cabinets
Max 1000 lbs.



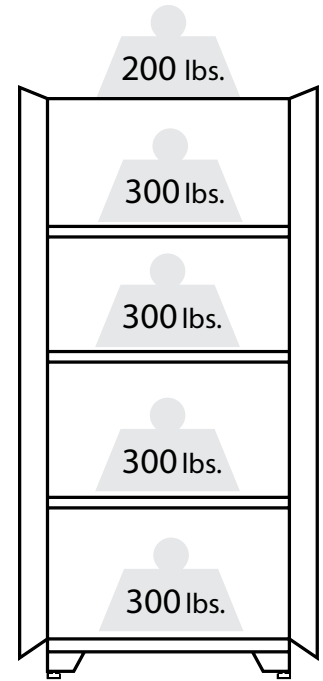
Base Cabinets
Max 1000 lbs.



Wall Cabinets
Max 200 lbs.



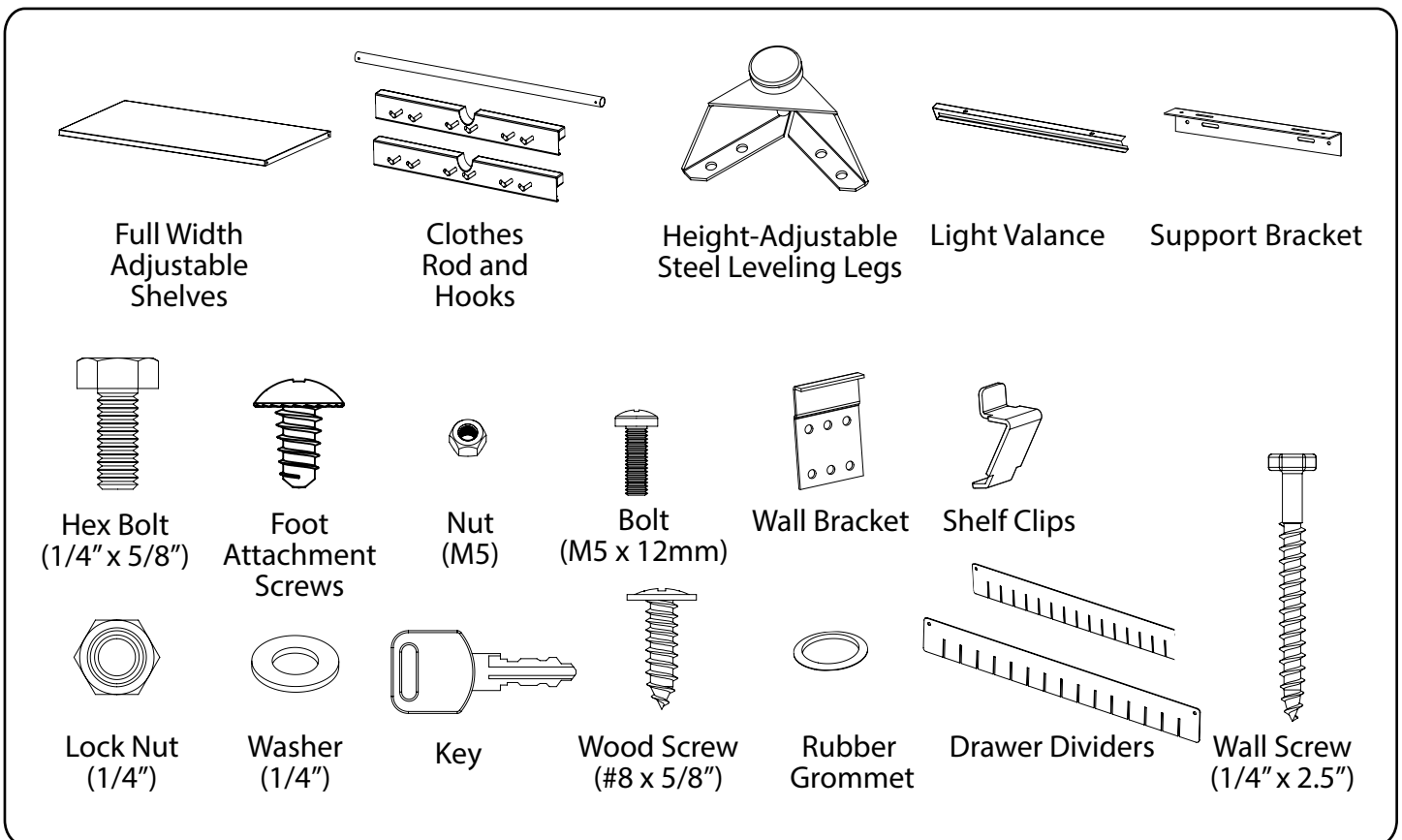
Tool Cabinets
Max 1000 lbs.



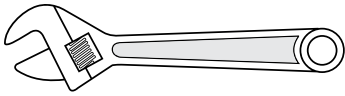
Lockers
Max 1000 lbs.

Parts Supplied

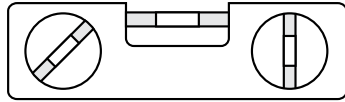
	Multi-use Locker	Sports Locker	Two-Door Base	Five-Drawer Tool	Multifunction	Wall	Corner Wall
Hardware Box	1	1	1	1	1	1	1
#8 x 5/8" Wood Screw	2	2	4	4	4	0	4
1/4" x 0.9" Fender Washer	4	4	4	4	4	4	6
1/4" ID x 1/2" OD Washer	26	26	12	12	12	12	22
1/4" Lock Nut	10	10	4	4	4	4	4
1/4" x 2.5" Wall Screw	8	8	8	8	8	8	12
1/4"-20 x 5/8" Hex Bolts	10	10	4	4	4	4	8
Light Valence Bolts	0	0	0	0	0	2	2
Light Valence Nuts	0	0	0	0	0	2	2
Plastic Hole Caps	16	16	0	0	0	8	0
Power Cord Hole Rubber Grommet	1	1	1	0	0	0	0
Shelf Clips	24	24	0	0	0	6	0
Keys	2	2	2	2	2	2	2
Foot Attachment Screws	16	16	16	16	16	0	0
Adjustable Leveling Legs	4	4	4	4	4	0	0
Adjustable Steel Shelves	4	4	0	0	0	1	0
Closet Rod	1	1	0	0	0	0	0
Closet Rod Brackets with Rubber Coated Hooks	2	2	0	0	0	0	0
EVA Foam Drawer Liners	0	0	1	5	3	0	0
Garbage Bin	0	0	0	0	1	0	0
Parts Bins	0	0	0	0	24	0	0
Light Valence	0	0	0	0	0	1	1
Long Drawer Dividers	0	0	0	4	0	0	0
Short Drawer Dividers	0	0	0	8	0	0	0
Side Support Brackets	0	0	0	0	0	0	2
Easy Wall Hanging Brackets	2	2	2	2	2	2	3



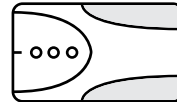
Tools Needed



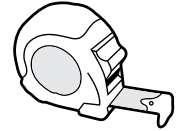
1 x Adjustable wrench



1 x 12" Magnetic Leveler



1 x Stud Finder



1 x Tape Measure



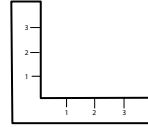
1 x 7/16" Socket driver wrench



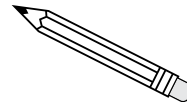
1 x 8mm" Socket driver wrench



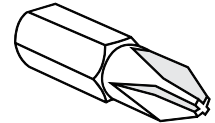
1 x 7/16" socket



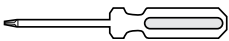
1 x Set Square



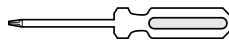
1 x Pencil



1 x #2 Phillips Bit



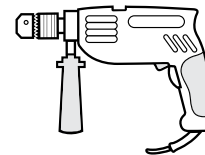
1 x #2 Phillips head screw driver



1 x #3 Phillips head screw driver



1 x Cordless Power Drill



1 x Hammer Drill



1 x Masonry Bit

[optional for masonry]

Manufacturer Warranty Limited Lifetime

When this product is installed, operated and maintained according to the instructions attached to or furnished with the product, NewAge Products Inc. will replace the defective product or parts if the part fails as a result of defective materials or workmanship for the Lifetime of the product.

NEWAGE PRODUCTS INC. WILL NOT PAY FOR:

1. Service calls to correct the installation of any NewAge products or to instruct you how to use or install them.
2. Damage resulting from improper handling or shipping of products, or products damaged by accident, misuse, abuse, fire, flood, improper installation, acts of God, neglect, corrosion, modification or mishandling.
3. Products damaged by improperly loading beyond the specified maximum weight capacity outlined in the instructions provided with the product.
4. Repairs or replacement when your product is used in other than normal, single-family household use, such as a commercial environment, or handled in anyway inconsistent with the installation instructions included with the product.
5. Cosmetic damage, including scratches, dings, dents or cracks in paint that do not affect the structural or functional capability of the product.
6. Surfaces damaged due to chemical interaction resulting in corrosion of paint or metal.
7. Replacement parts for NewAge products outside Canada and the United States.
8. Replacement keys or locking mechanisms.
9. Loss of product contents due to theft, fire, flood, accident or acts of God.
10. Shipping or freight fees to deliver replacement products or to return defective products.
11. Any labor costs during the limited warranty period.

DISCLAIMER OF IMPLIED WARRANTIES; LIMITATION OF REMEDIES

IMPLIED WARRANTIES, INCLUDING TO THE EXTENT APPLICABLE WARRANTIES OF MERCHANTABILITY OR FITNESS FOR A PARTICULAR PURPOSE, ARE EXCLUDED TO THE EXTENT LEGALLY PERMISSIBLE. ANY IMPLIED WARRANTIES THAT MAY BE IMPOSED BY LAW ARE LIMITED TO ONE YEAR, OR THE SHORTEST PERIOD ALLOWED BY LAW. SOME STATES AND PROVINCES DO NOT ALLOW LIMITATIONS OR EXCLUSIONS ON HOW LONG AN IMPLIED WARRANTY OF MERCHANTABILITY OR FITNESS LASTS, SO THE ABOVE LIMITATIONS OR EXCLUSIONS MAY NOT APPLY TO YOU. THIS WARRANTY GIVES YOU SPECIFIC LEGAL RIGHTS, AND YOU MAY ALSO HAVE OTHER RIGHTS WHICH VARY FROM STATE TO STATE OR PROVINCE TO PROVINCE

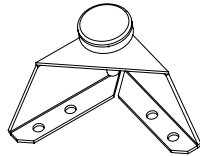
NEWAGE
PRODUCTS INC.

Installing the Feet

i Parts Needed.

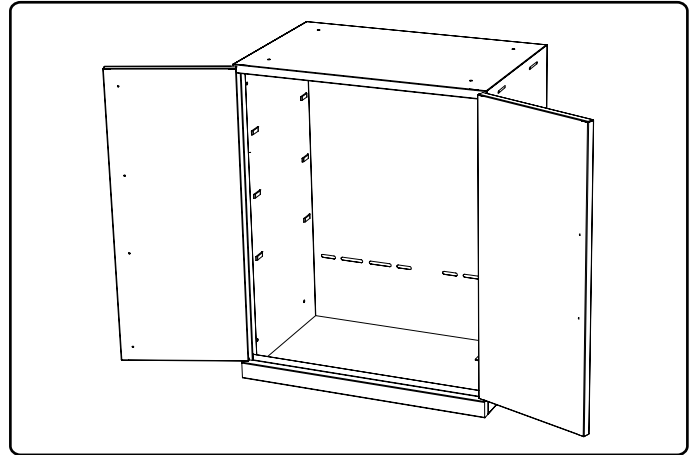


16 X Foot
Attachment Screws

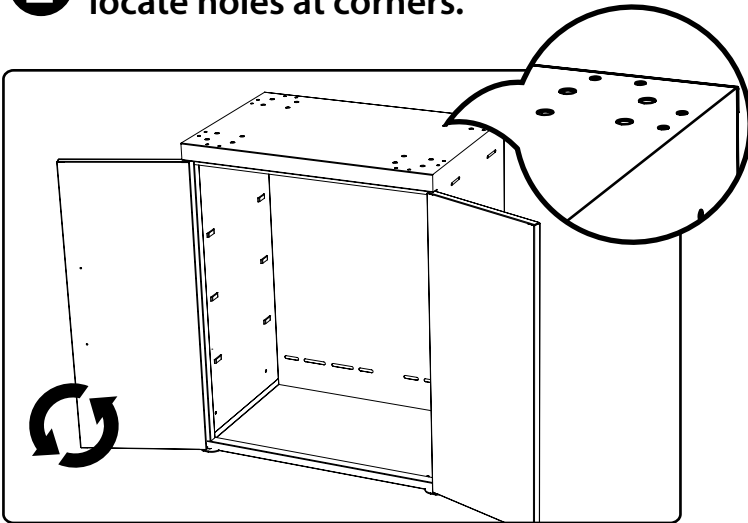


Height-Adjustable
Steel Leveling Legs

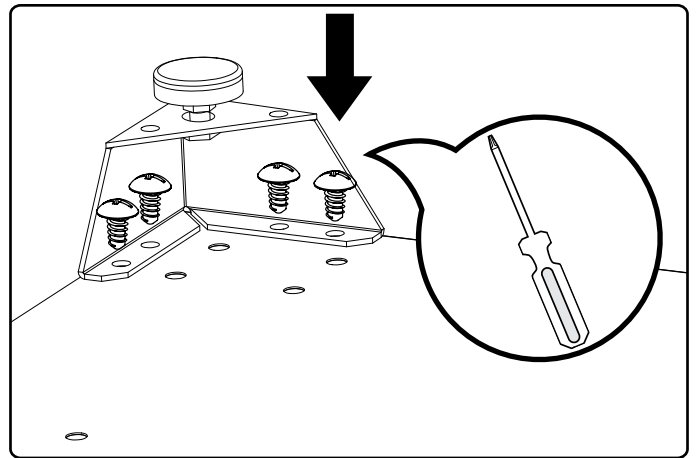
1 Open cabinet, remove any shelves or loose items.



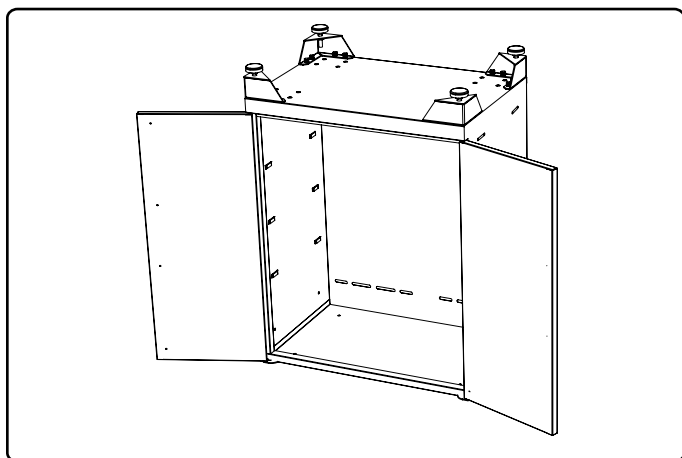
2 Flip cabinet upside down, locate holes at corners.



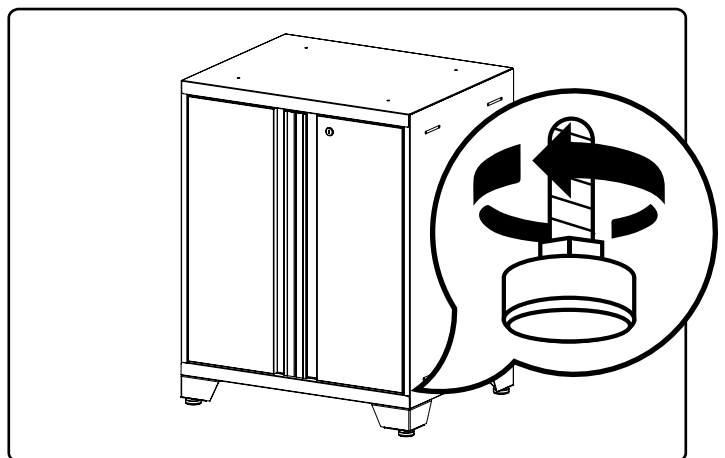
3 Align foot with edge of cabinet. Screw in 4 x foot attachment screws.



4 Repeat steps 3 for each corner.



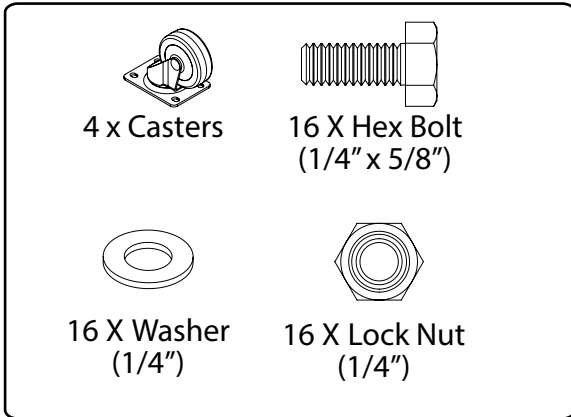
5 Stand & level feet.



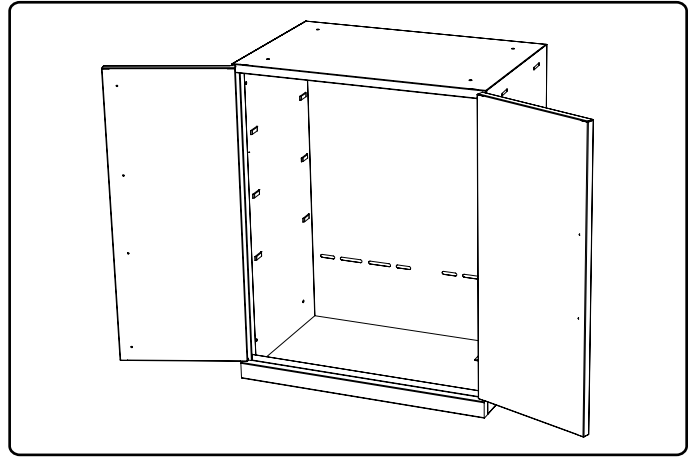
Installing Casters

Note: Castors sold seperately.
shopnewage.com

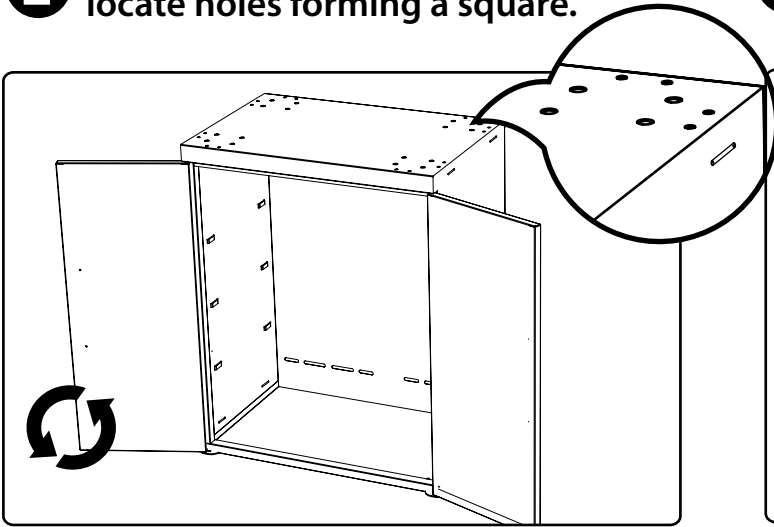
i Parts Needed.



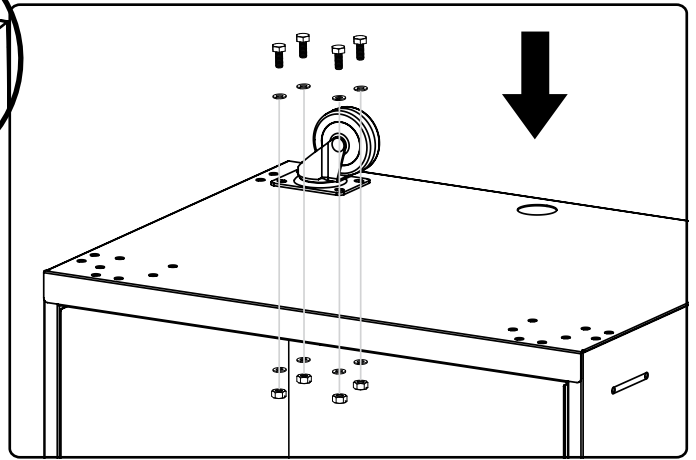
1 Open cabinet, remove any shelves or loose items.



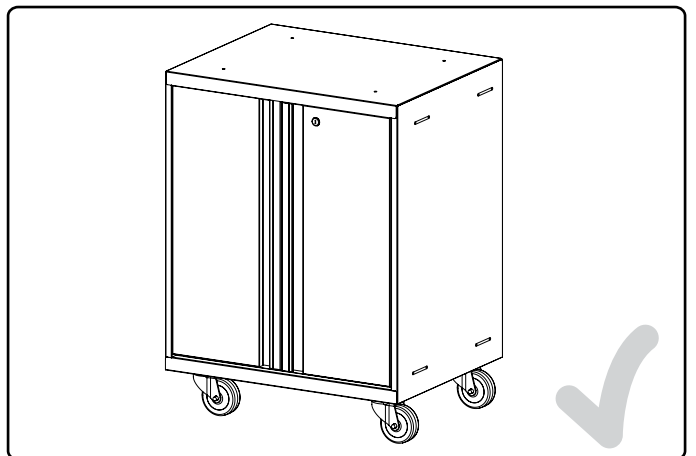
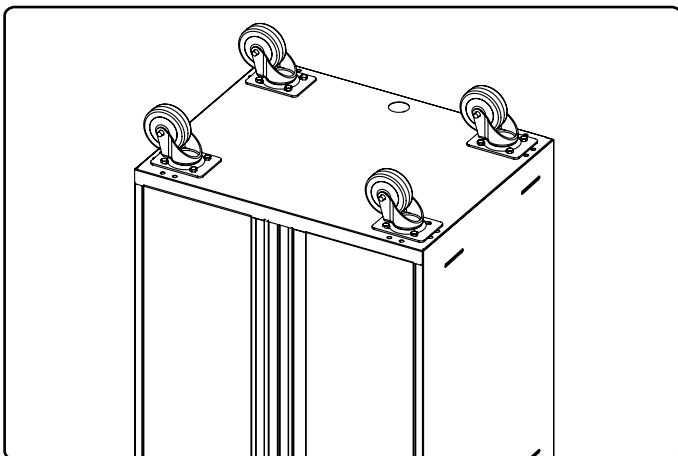
2 Flip cabinet upside down, locate holes forming a square.



3 Align foot with holes. Attach with 4 hex bolts, washers, lock washers and nuts.

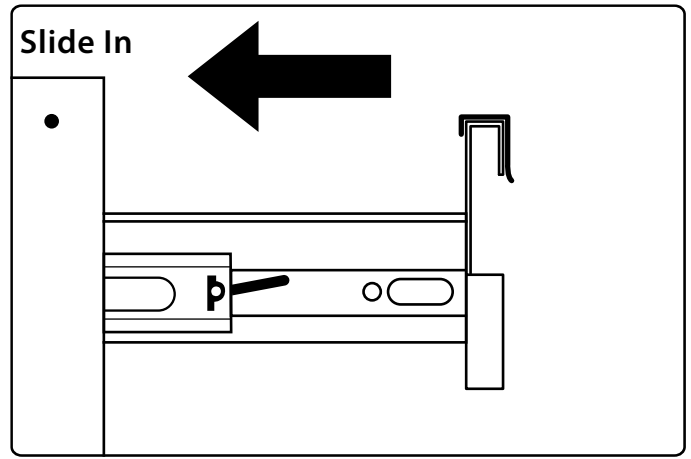
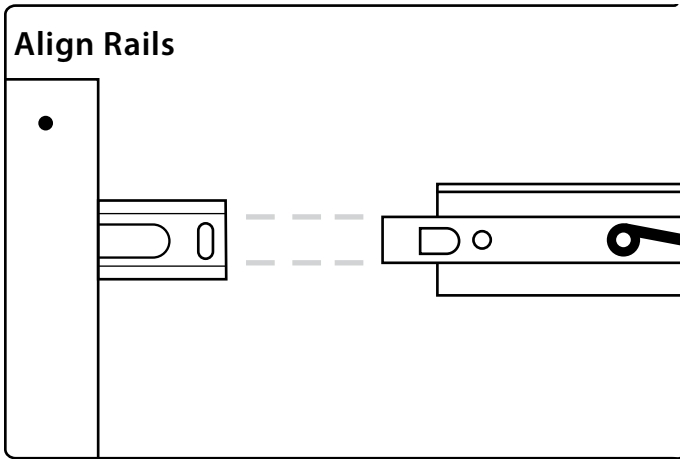


4 Repeat steps 3 for each corner.

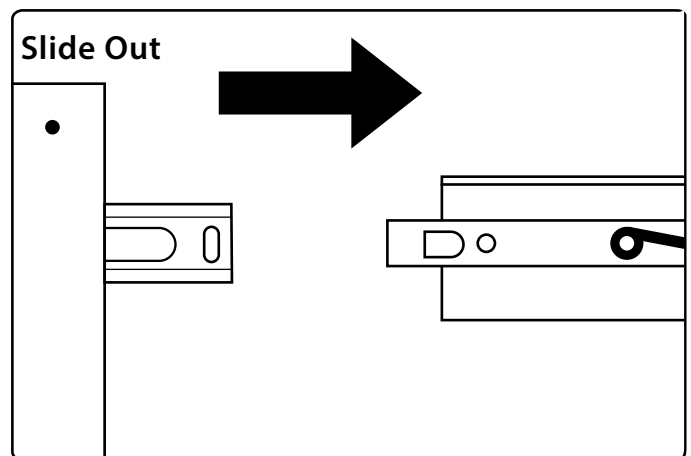
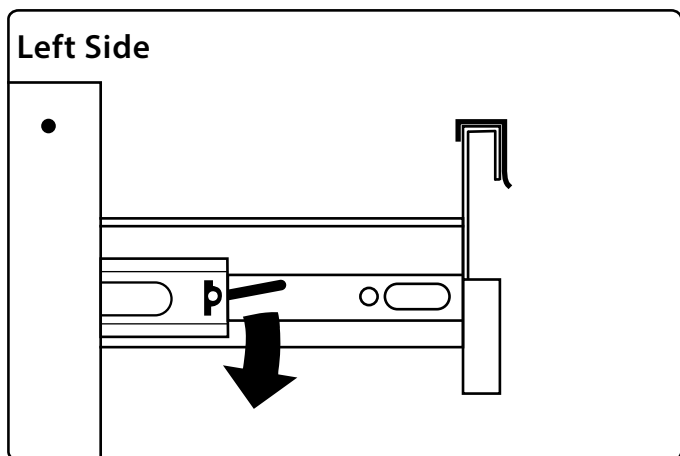
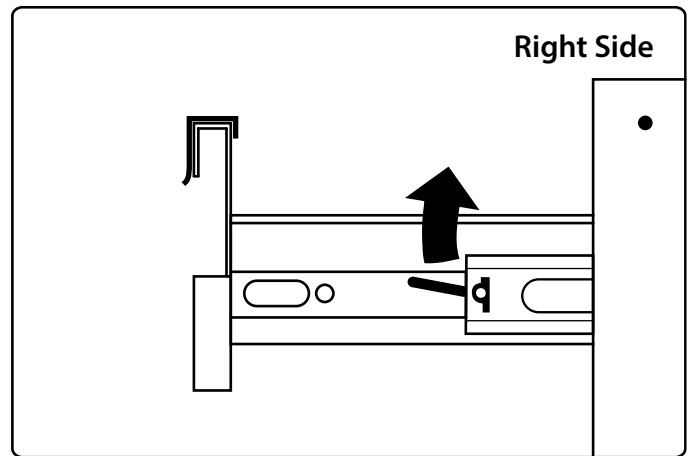
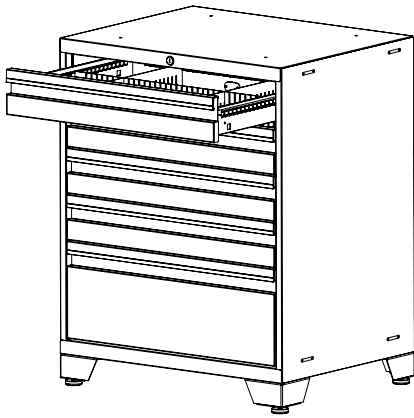


Installing the Drawers

Inserting Drawers.



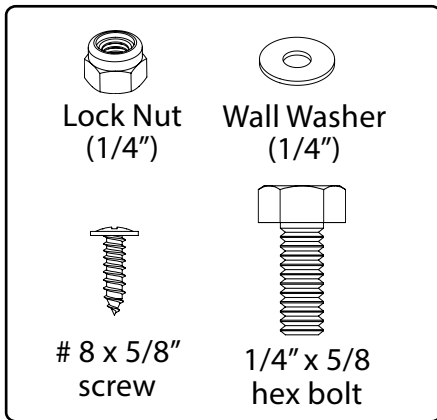
Removing Drawers.



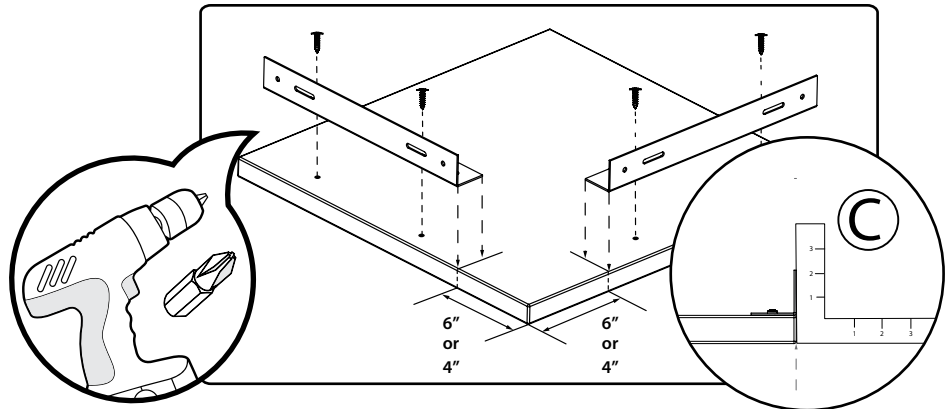
Installing Corner Cabinet

Note: Ensure there is enough assembly room. Cabinets must be assembled away from corner to access backs of cabinets.

i Parts Needed.

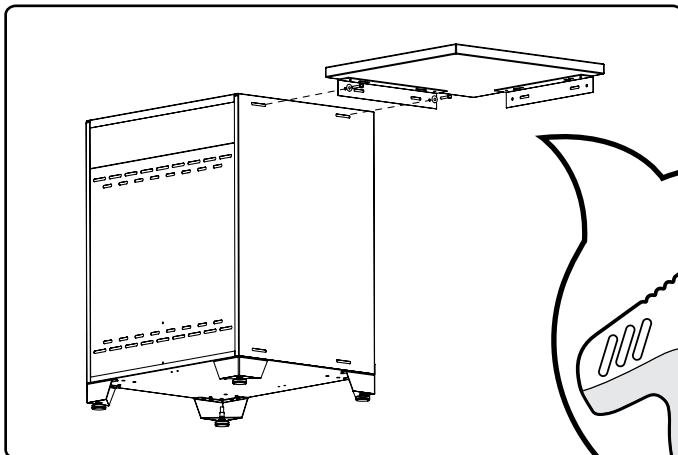


1 On adjacent edges attach 2 support brackets to underside of corner top using the supplied (4) 38 x 5/8" screws.

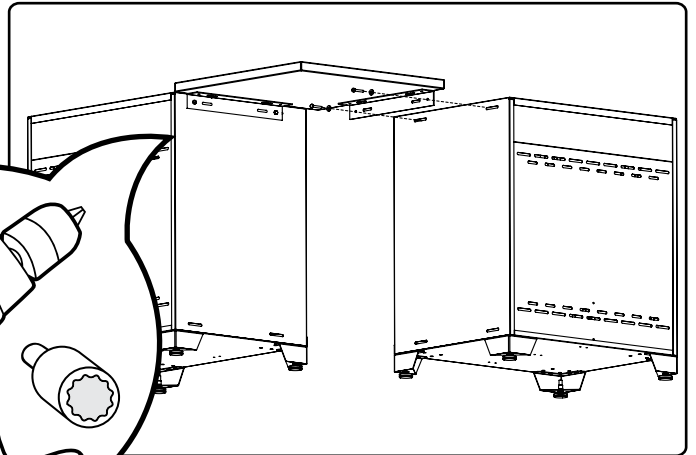


Important: For mounting top flush with back of cabinet measure 6" in from corner, for mounting top flush with front of cabinet measure 4" in from corner and flush with edge.

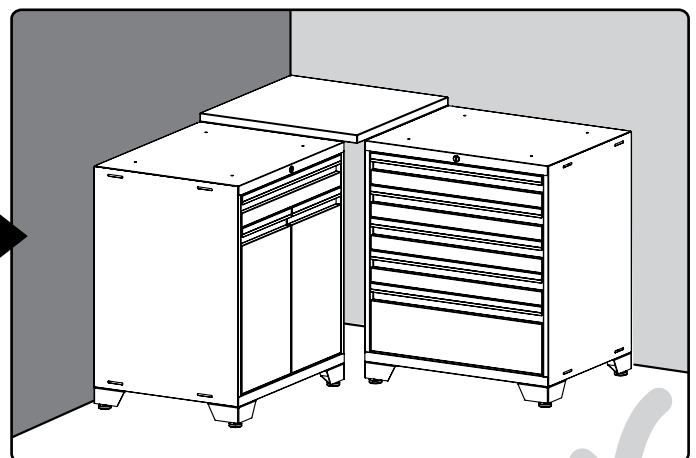
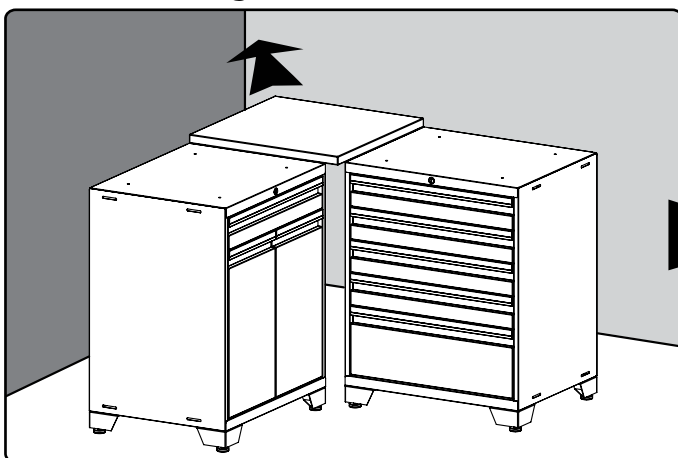
2 Attach top to one cabinet using 1/4" x 5/8 hex bolts, nuts, and washers.



3 Attach second cabinet to top.

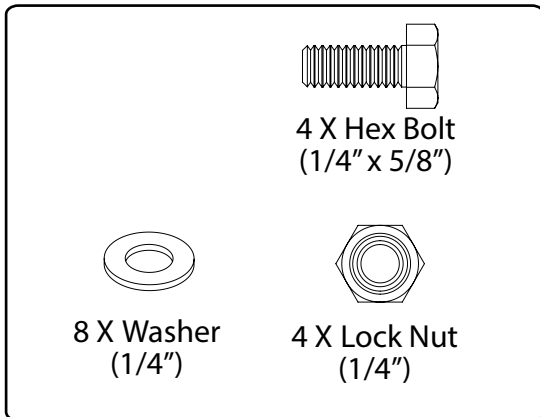


4 Slide in corner and attach remaining cabinets.

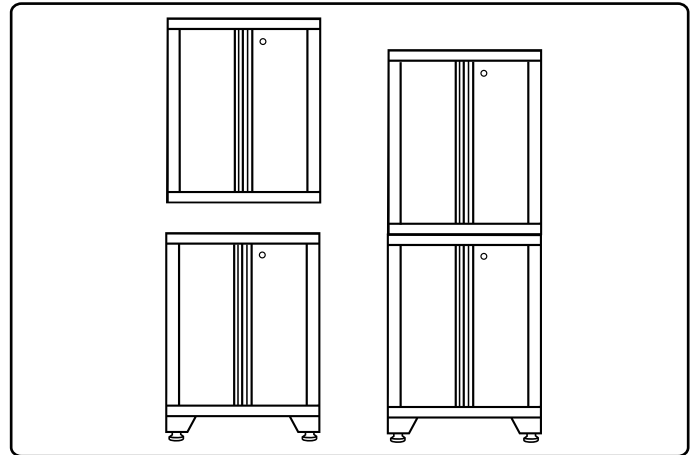


Stacking Cabinets

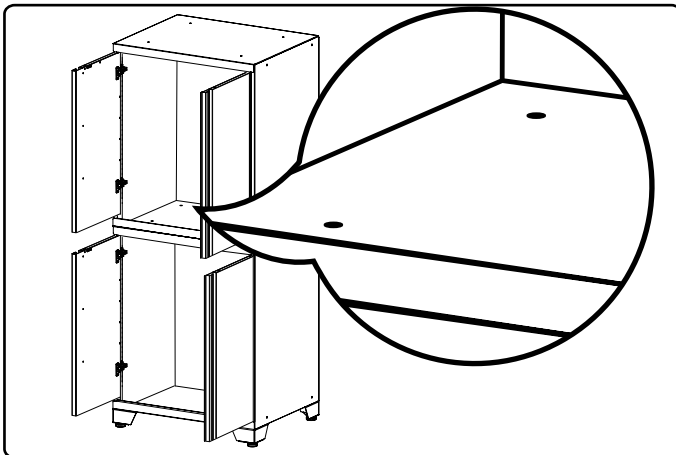
i Parts Needed.



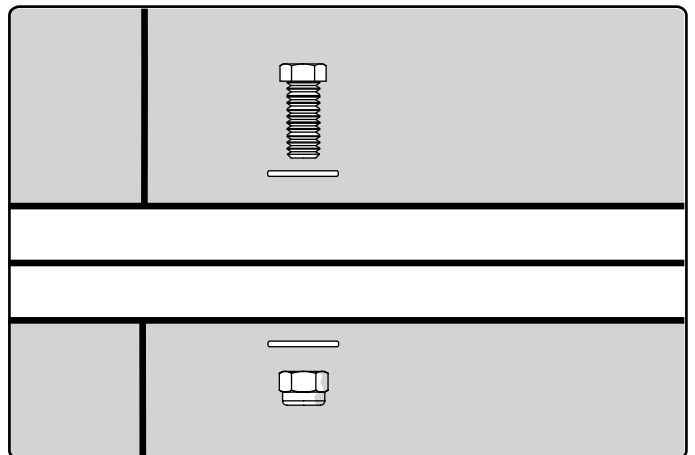
1 Position a second base cabinet on top of an existing base cabinet.



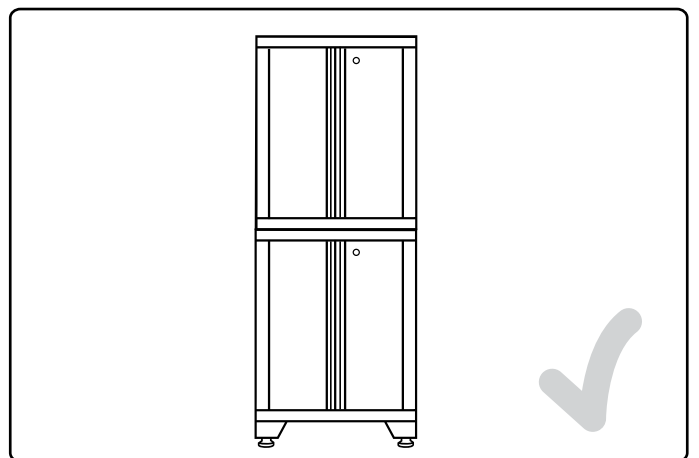
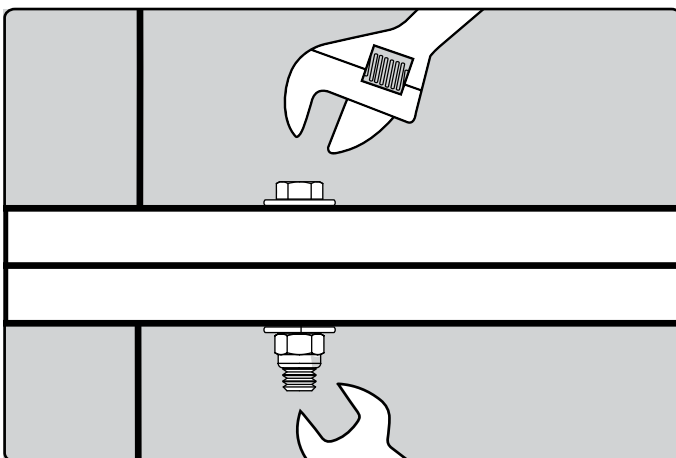
2 Locate punch holes on adjoining surface and insert bolts.



3 Attach cabinets using the supplied 1/4" x 5/8" hex bolts, washers, and nuts.



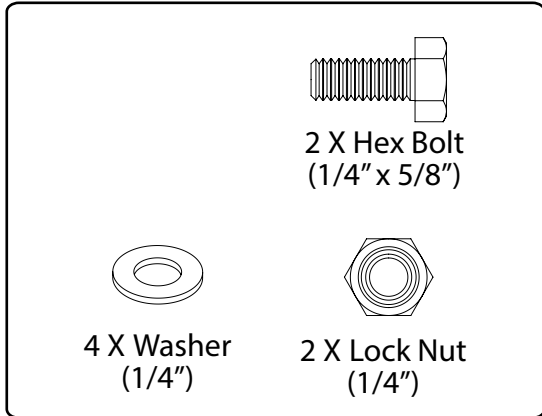
4 Tighten all bolts



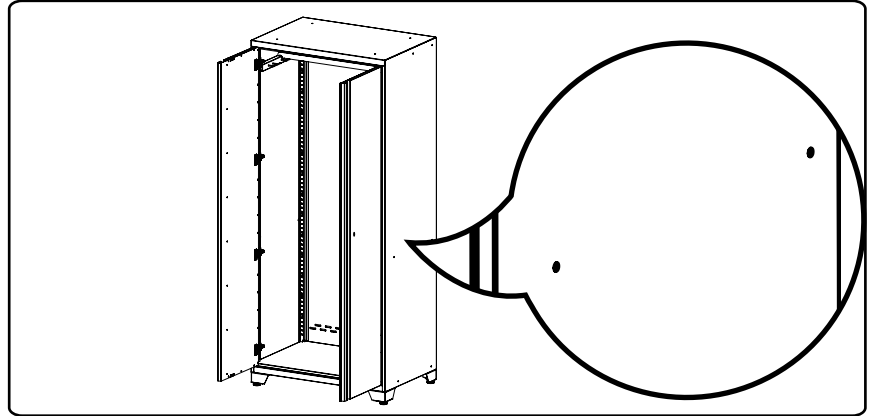
Installing Worktop Side Support Bracket

Note: Support bracket included with locker.

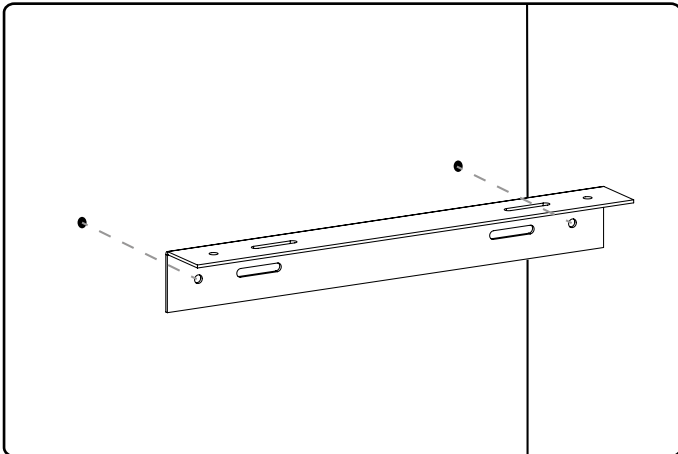
i Parts Needed.



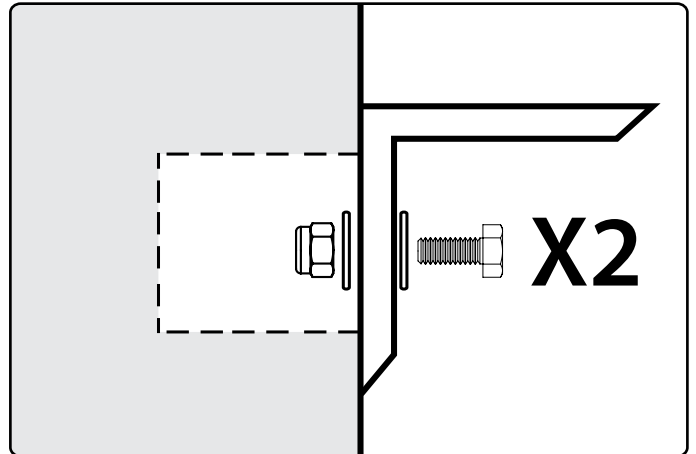
1 Open locker and locate holes on either side.



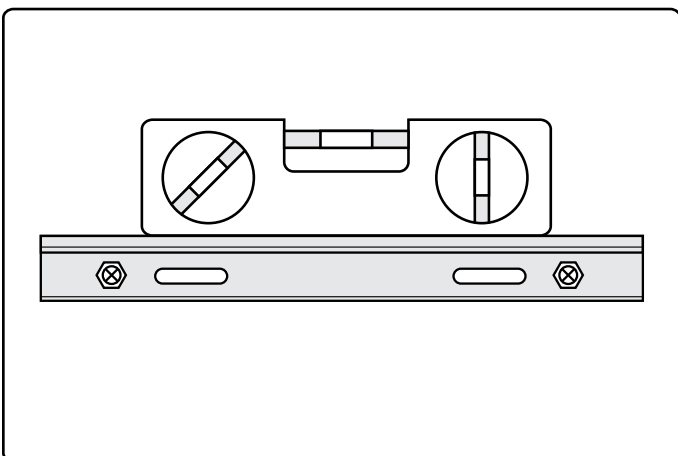
2 Align bracket.



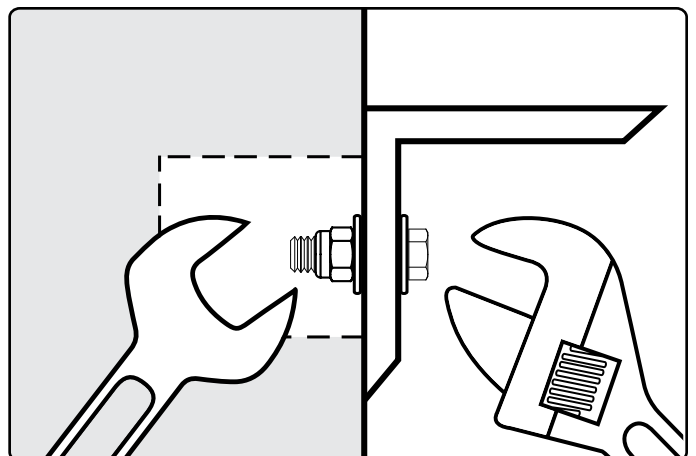
3 Fasten nuts, bolts, and lock washers.



5 Level bracket and ensure it is at the same height as the base cabinet.

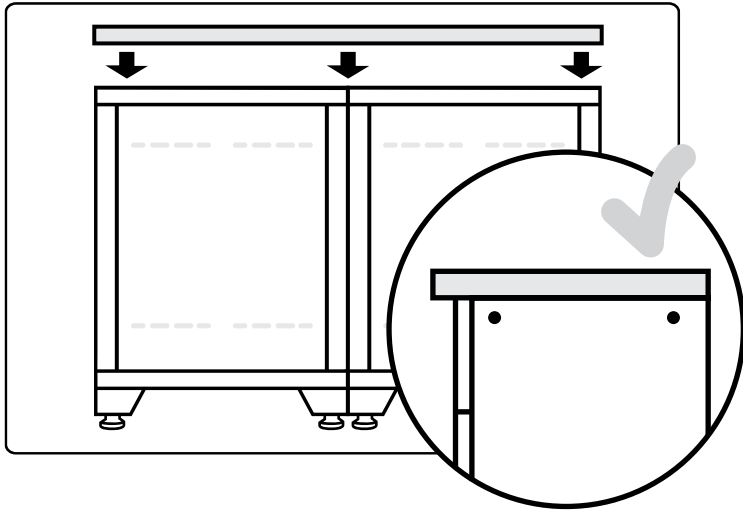


4 Tighten nuts & bolts.

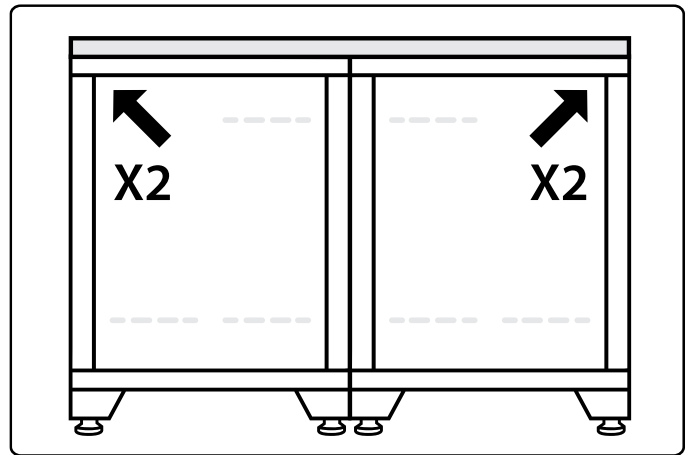


Mounting the Worktop (On 2 Cabinets)

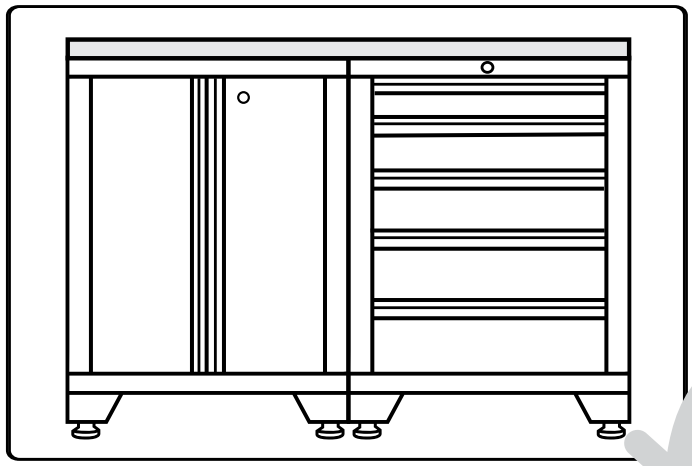
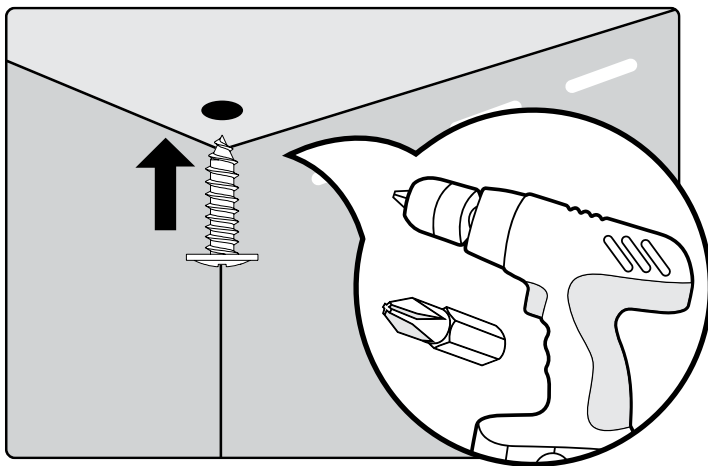
1 Place Worktop on cabinets.



2 Locate 2 punch holes both sides.

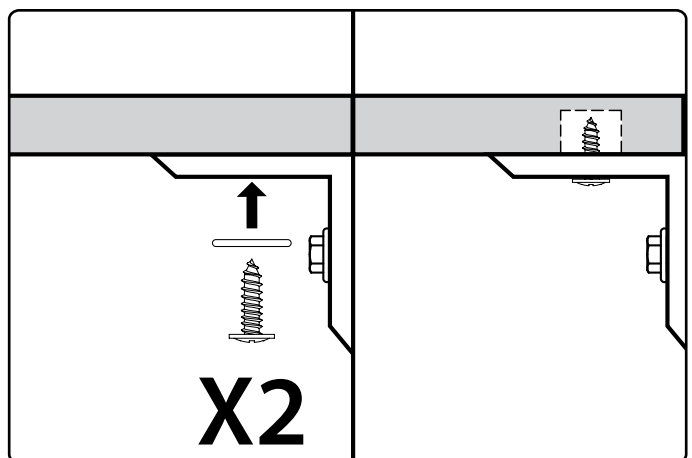
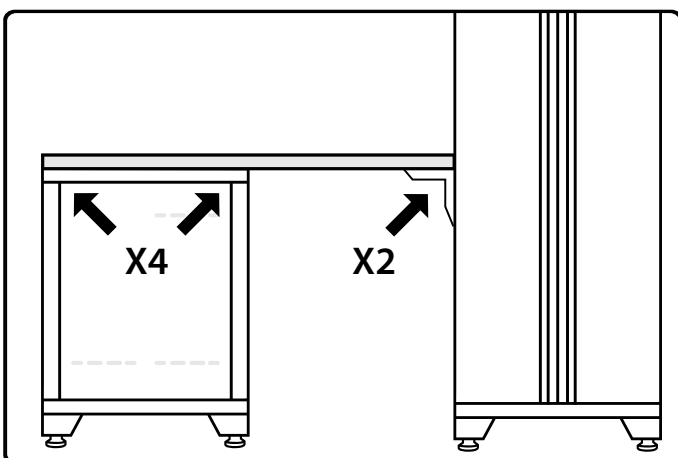


3 Drill into the worktop using the #8 x 5/8" wood screws.



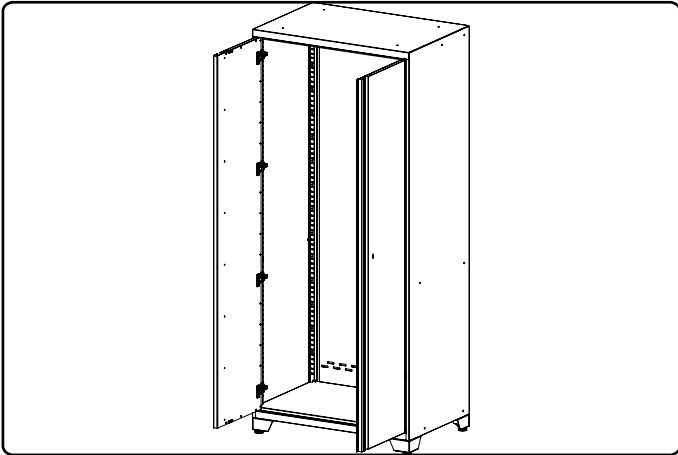
i **Optional:** For locker support bracket.

Use 2 washers & #8 x 5/8" wood screws.
Provided in the locker packaging.

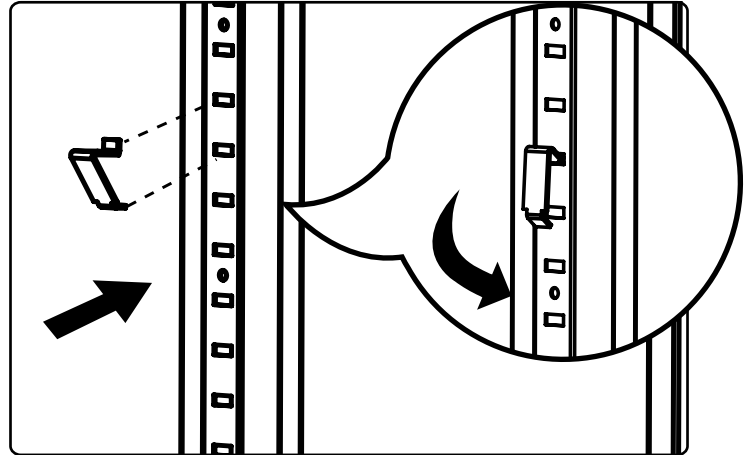


Inserting Cabinet Utility Rod and Hangars

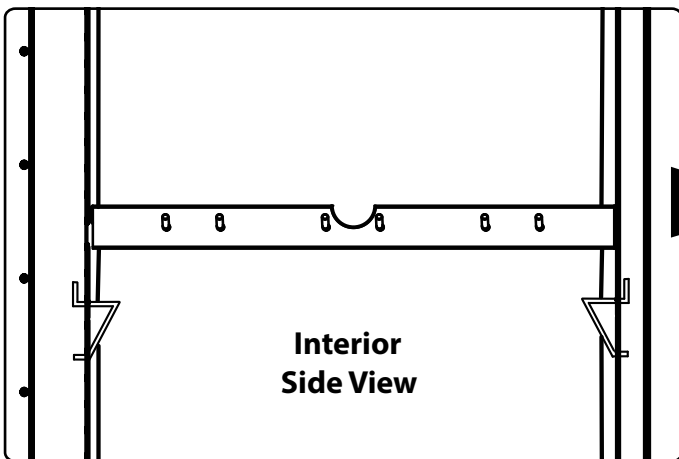
1 Open cabinet Doors.



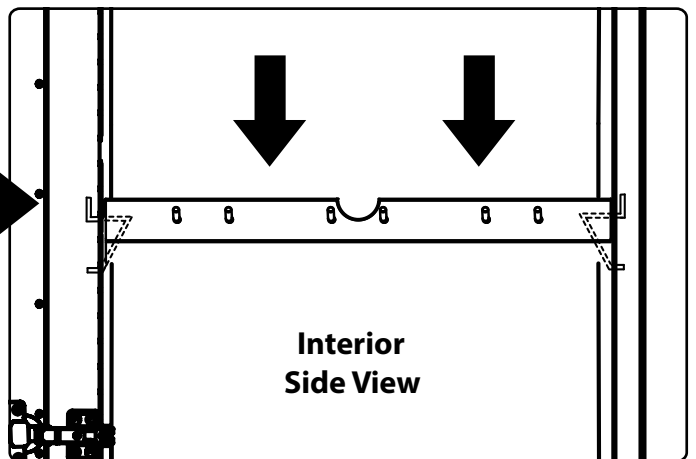
2 Insert clips into slots in corners. Rotate to engage.



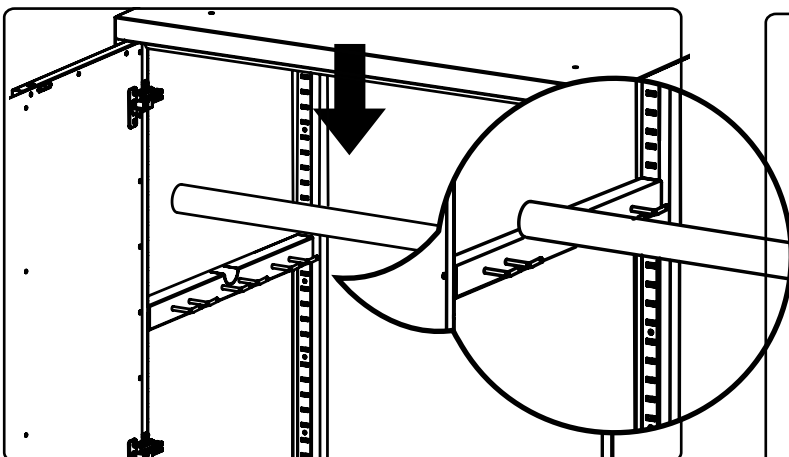
3 Place hangar against locker wall above supports.



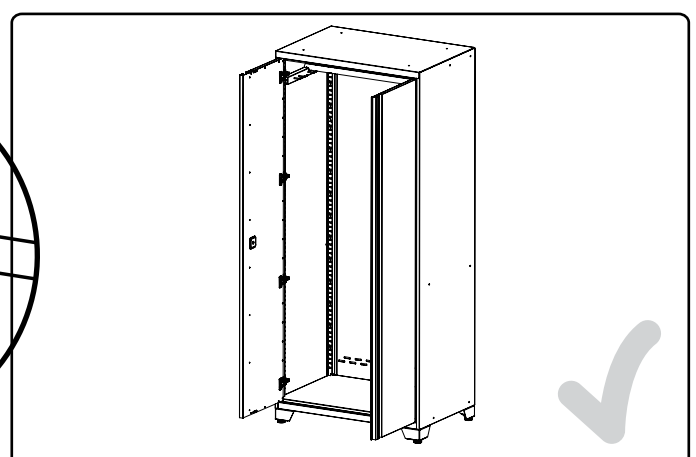
4 Ensure rear flange slides down behind clips and that the bracket is secure.



5 Lower rod into cradle.

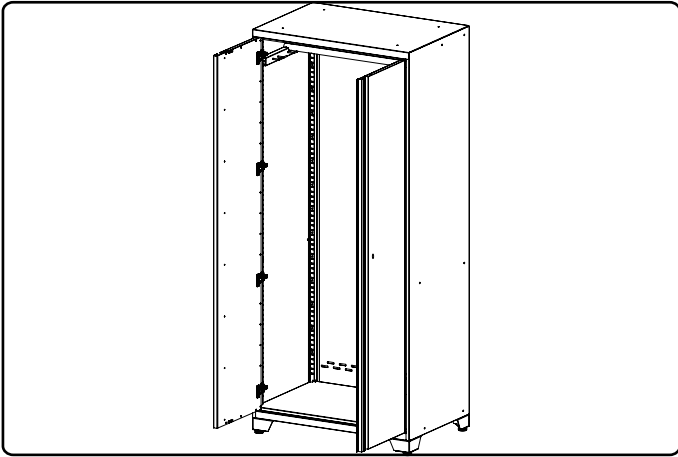


6

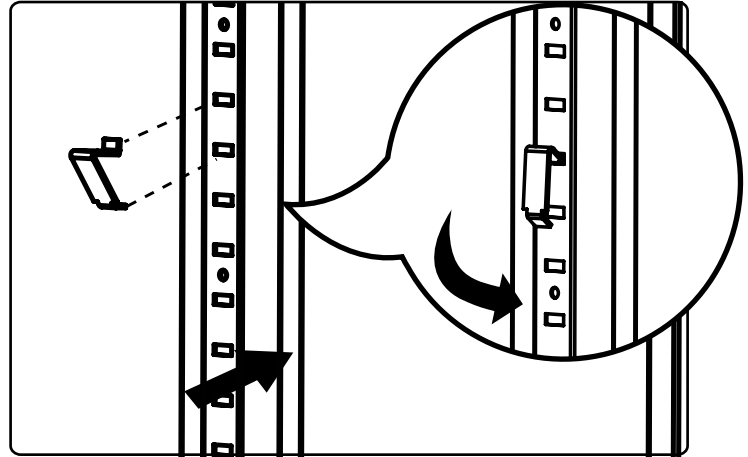


Inserting Cabinet Shelves

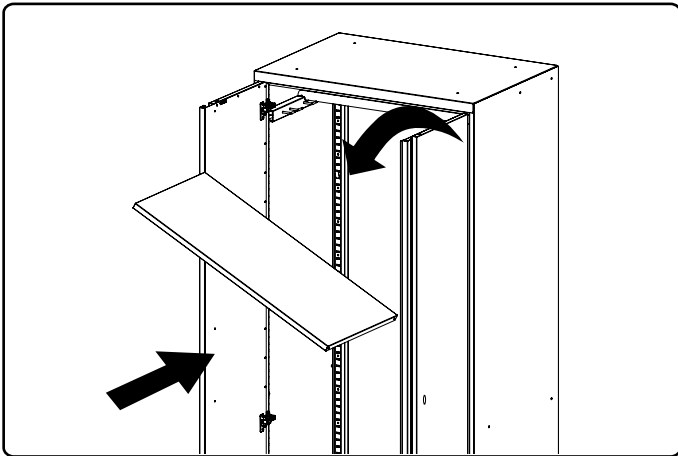
1 Stand cabinet up.



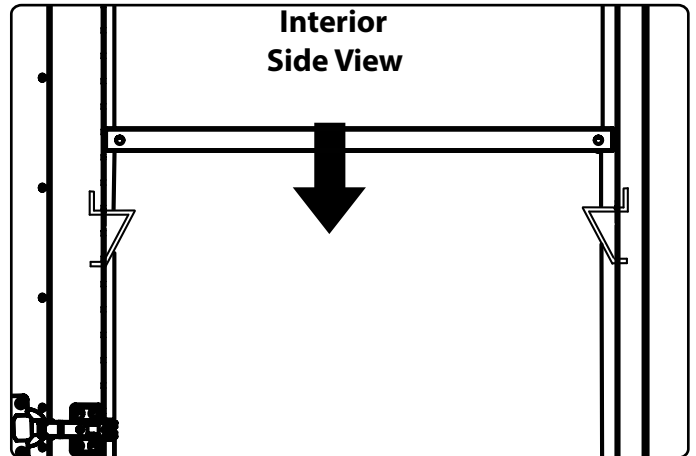
2 Insert shelf clip on slight angle and rotate to level position.



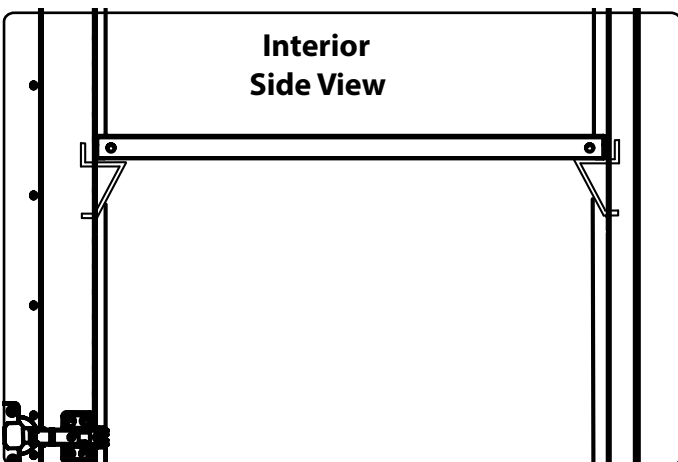
3 Insert shelf on a angle and rotate to level position.



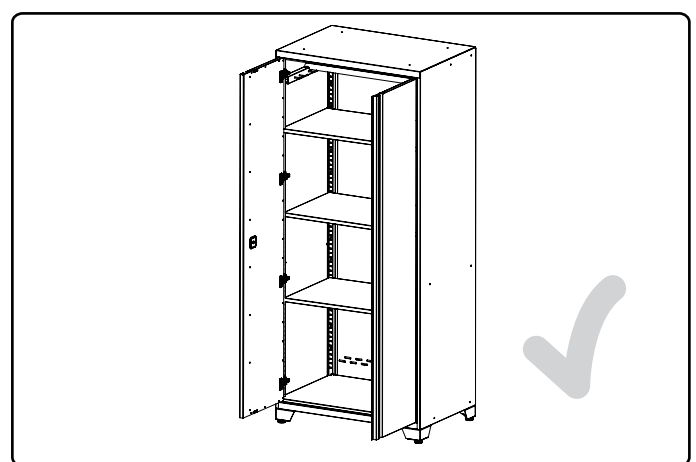
4 Lower shelf onto supports.



5 Rest shelf on supports.

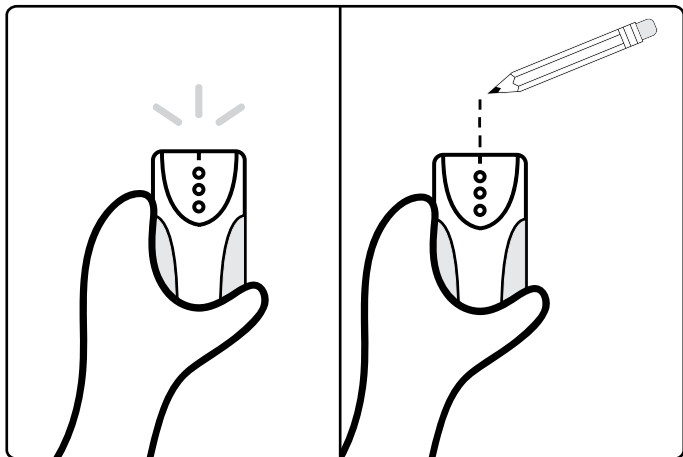


6 Insert remaining shelves.

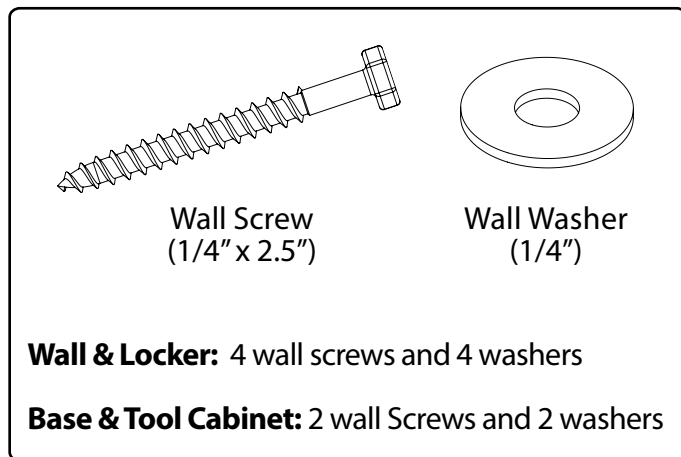


Mounting Cabinets (Drywall/Studded Wall)

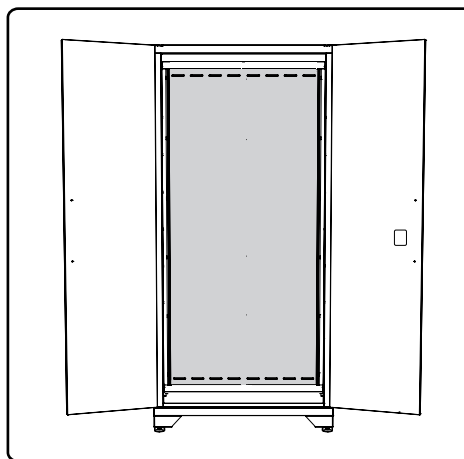
- 1** Use stud finder to locate the studs and mark the wall with a pencil.



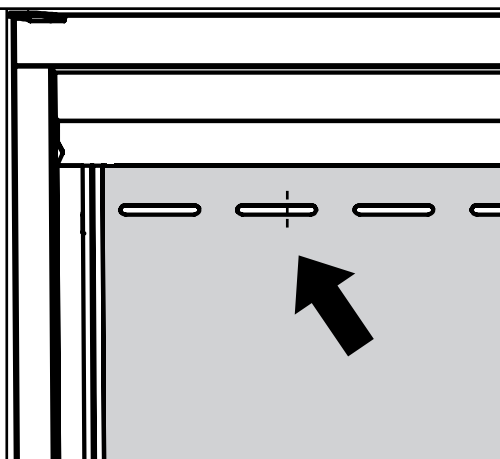
- 2** Gather parts.



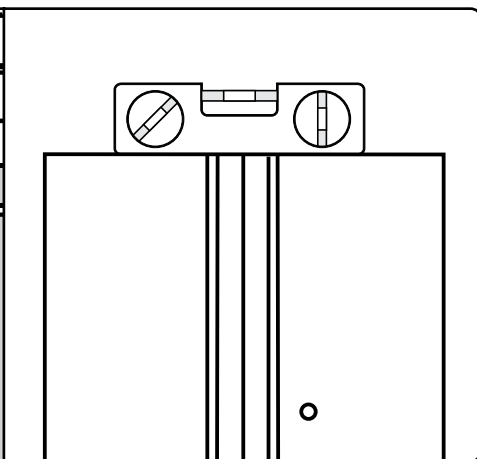
- 3** Place cabinet tight against the wall.



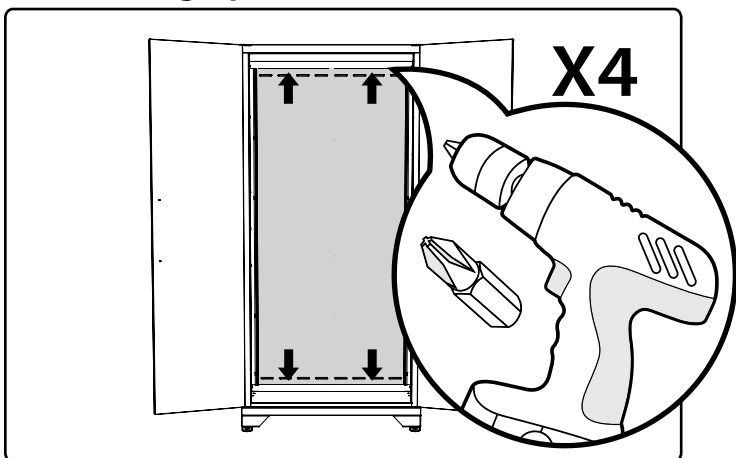
- 4** Align cabinet to stud marks.



- 5** Level cabinet



- 6** Drill 4 wall screws and washers through perforated holes into studs.

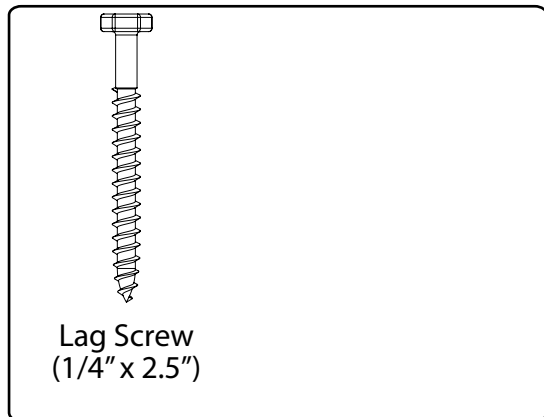


i Masonry.

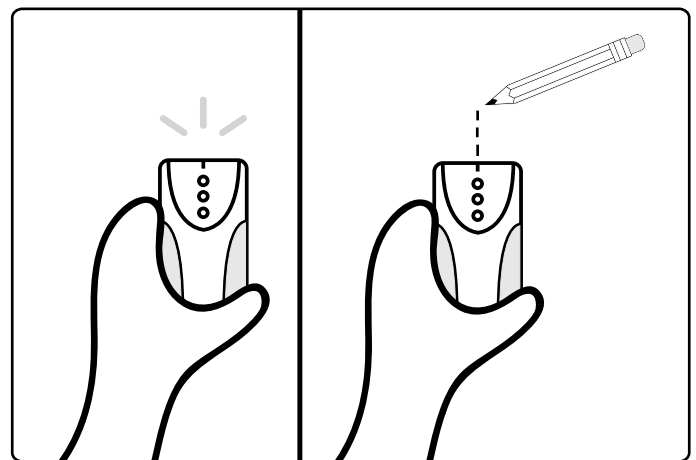
- Follow steps 3 to 5.
- Drill 4 pilot holes through the perforated strip with hammer drill & masonry bit.
- Use 4 x (2 1/4" x 1/4") Tapcon Concrete Anchor into wall. (Not Included)
- OR 4 x (#10 x 2") Screw with 3/16" masonry plug into wall. (Not Included)
- Follow Step 6.

Hanging Cabinets on Wall (optional)

i Parts Needed.



1 Use stud finder to locate the studs and mark the wall with a pencil.

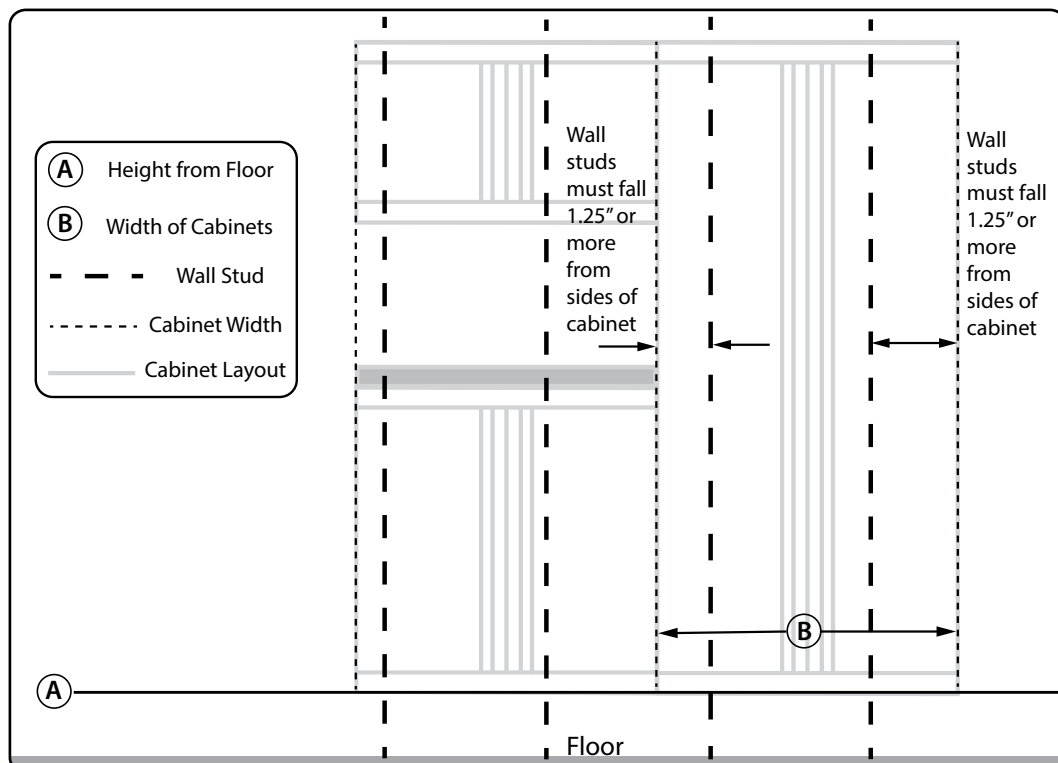


2 Planning the general position of cabinets.

Step A. Determine the height off the ground you would like the base and locker cabinets to be and make a horizontal mark at this position.

Step B. Next mark the width of each cabinet in the intended position and ensure the wall studs fall at least 1.25" in from the edge of the cabinets. This will ensure there is no interference with the edges of the cabinet and the wall bracket when hanging the cabinet on the wall.

Note: Ensure there are two studs for the locker to be mounted on as it is easiest to start the installation with the locker first. Due to the spacing of the wall studs it is possible that some base or wall cabinets will only have one stud they will attach to; This is acceptable as long as the cabinet is bolted to another securely mounted cabinet.

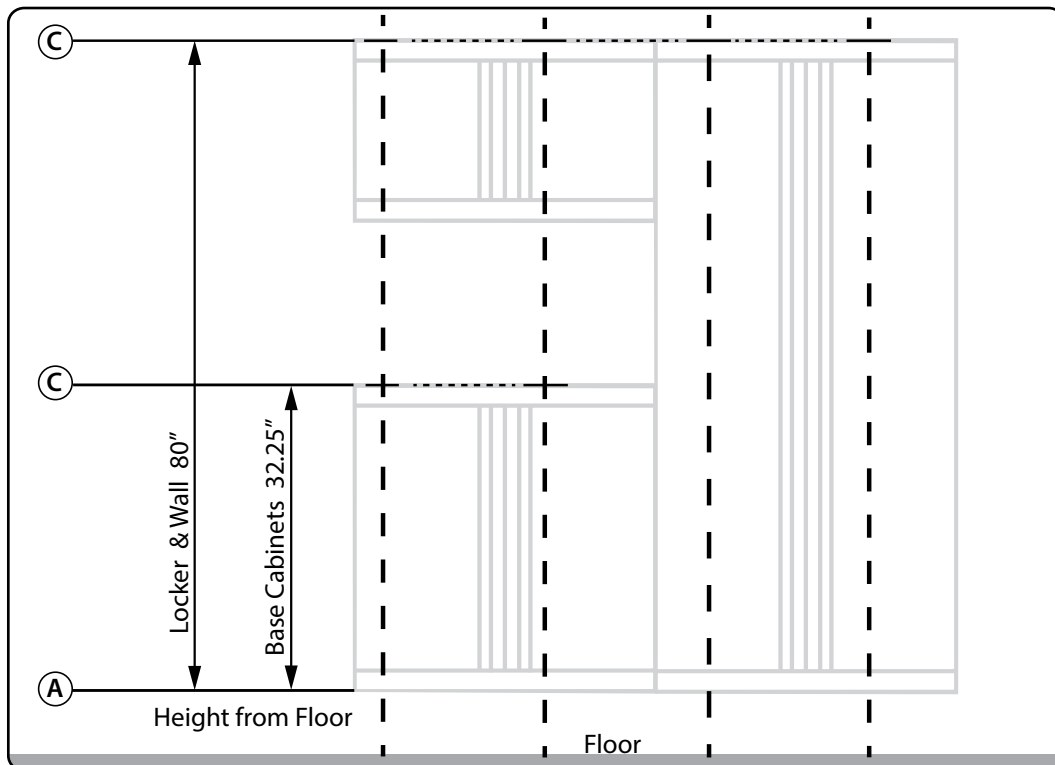


Hanging Cabinets on Wall (cont.)

3 Planning the general position of cabinets. (cont.)

Step C. Measuring up from the line marked in Step A, make a horizontal mark at the following heights where they intersect the wall stud marks to determine where the top of the cabinet will be (and where the hanging bracket will be installed).

1. **Locker:** Measure 80" vertically from base line and mark at stud locations.
2. **Base:** Measure 32.25" vertically from base line and mark at stud locations.
3. **Wall cabinets:** Measure 80" vertically from base line and mark at stud locations (if installing flush with top of locker).



Step D. Ensure the cabinets will be at a suitable working height and that your wall cabinets are not out of reach.

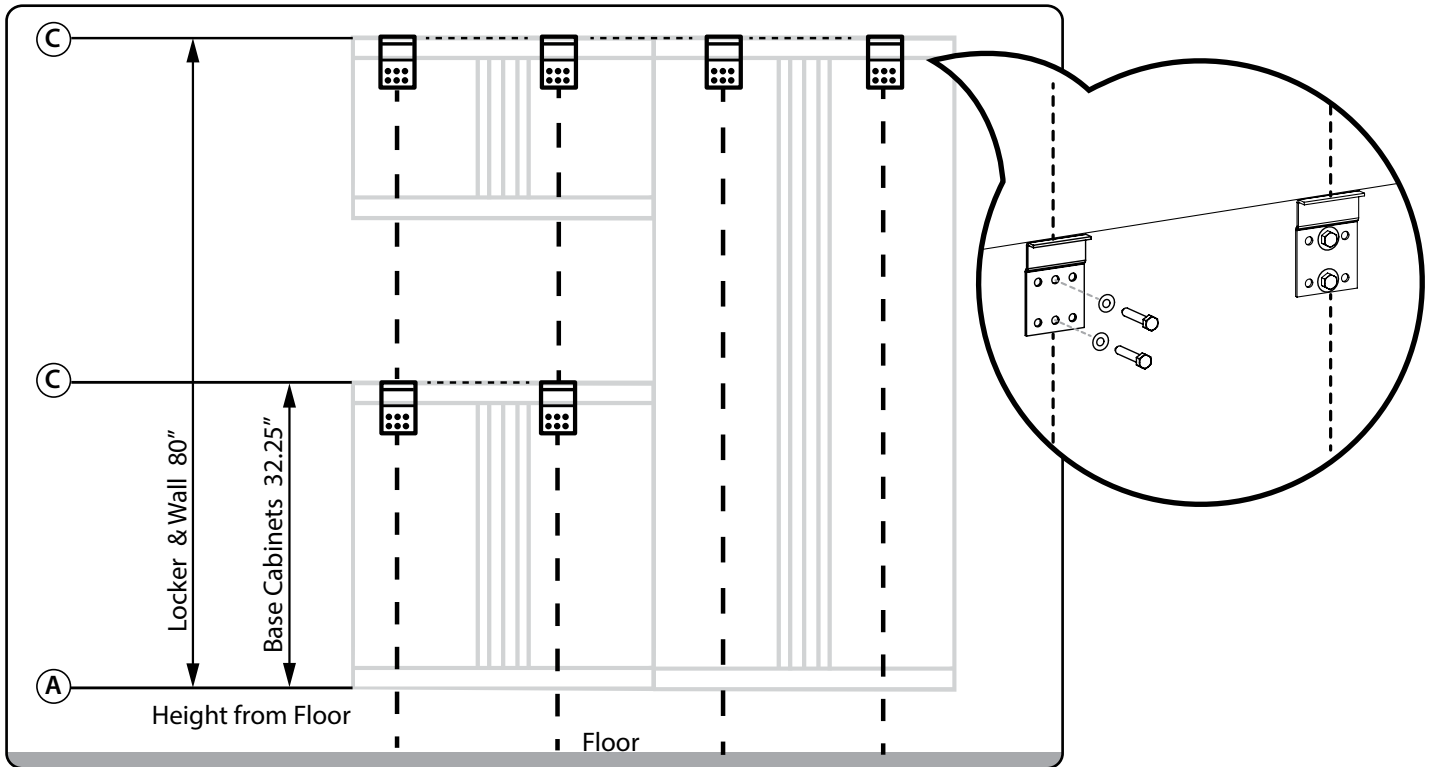
Note: The working surface of the base cabinets will be 1.25" higher than the cabinet with the top installed.

Hanging Cabinets on Wall (cont.)

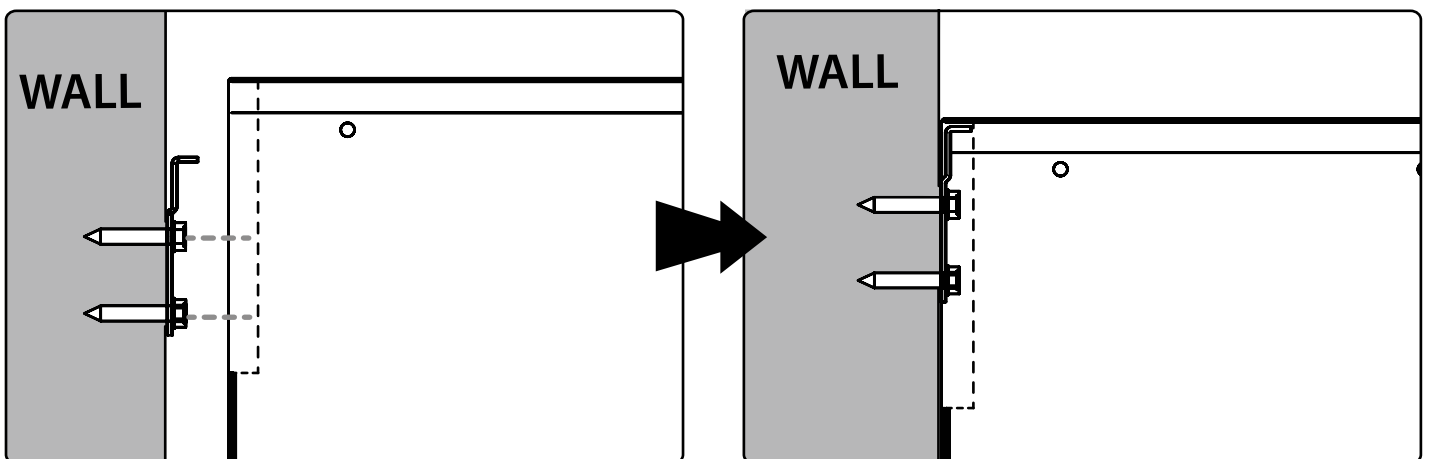
4 Hanging cabinets on wall.

Align the top of the wall hanging brackets with the lines marked for the position of the top of the cabinets (Step C) and attach the brackets securely into the studs using the supplied lag bolts and washers.

Note: It is possible to offset the bracket to one side or the other if the bracket is positioned close to the edge of the intended cabinet position by using the secondary hole positions on the bracket.

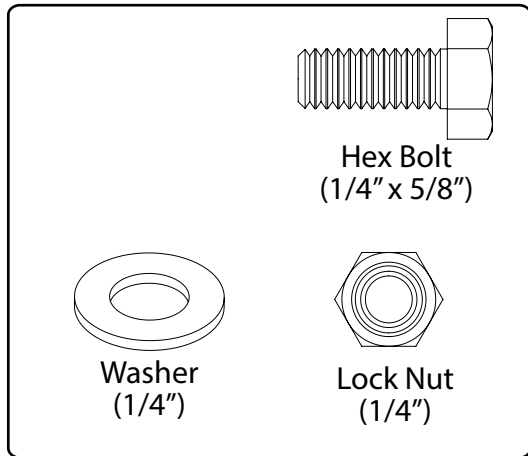


5 Lift cabinet into place over the brackets and flush with the wall, and lower into place.

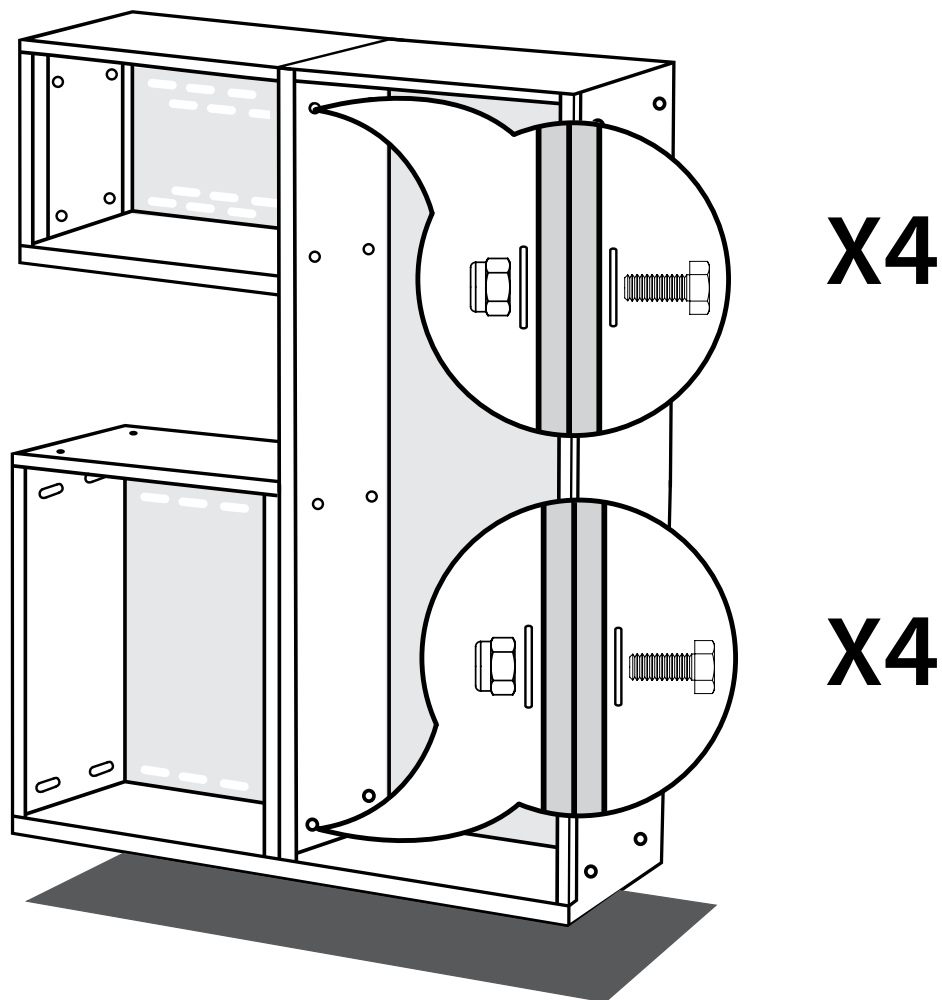
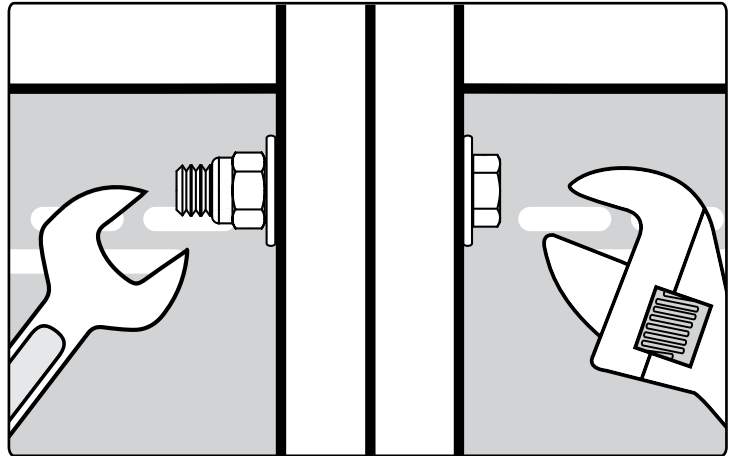


Hanging Cabinets on Wall (cont.)

Parts Needed.



6 Bolt each subsequent cabinet to the previous one using the supplied 1/4" x 5/8" hex bolts and lock nuts provided in each base and wall cabinet.



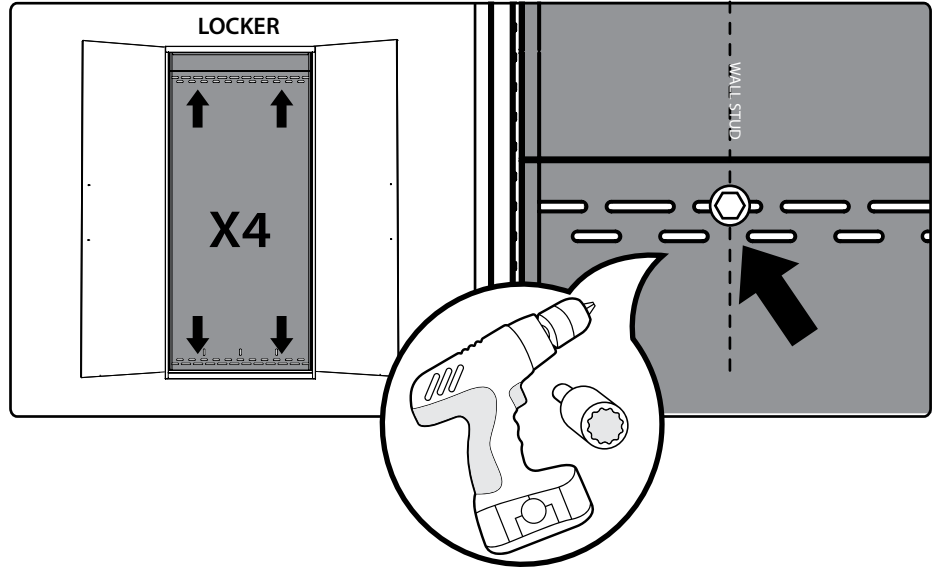
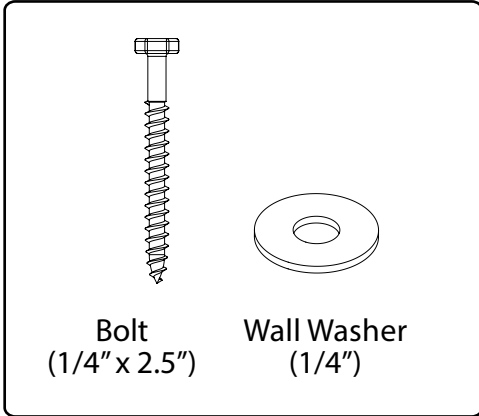
Note: Brackets are not designed to support the weight of a loaded cabinet. Cabinets must be secured to the wall using supplied 1/4" x 2.5" lag screws.

Securing to Wall

Note: Brackets are not designed to support the weight of a loaded cabinet. Cabinets must be secured to the wall using supplied 1/4" x 2.5" lag screws.

i Parts Needed.

7 Using (4) 1/4" x 2.5" lag screws and washers secure each cabinet to wall stud from inside cabinet.

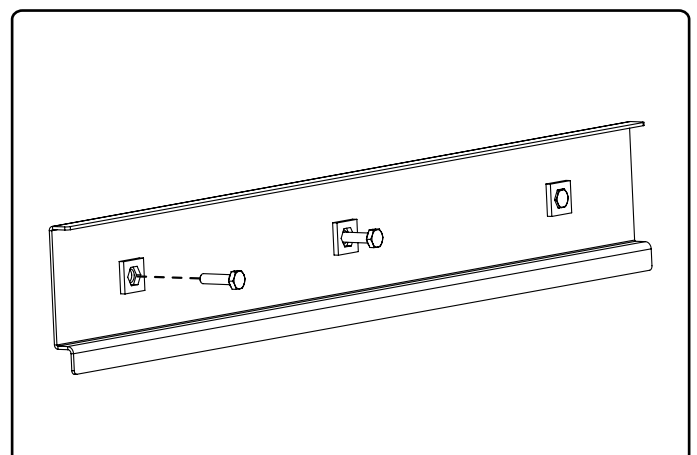
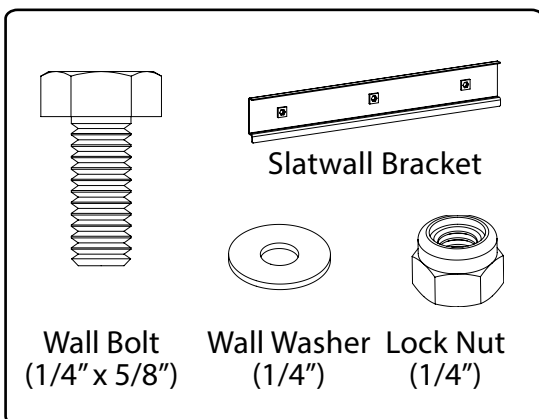


Hanging Cabinets on Slatwall

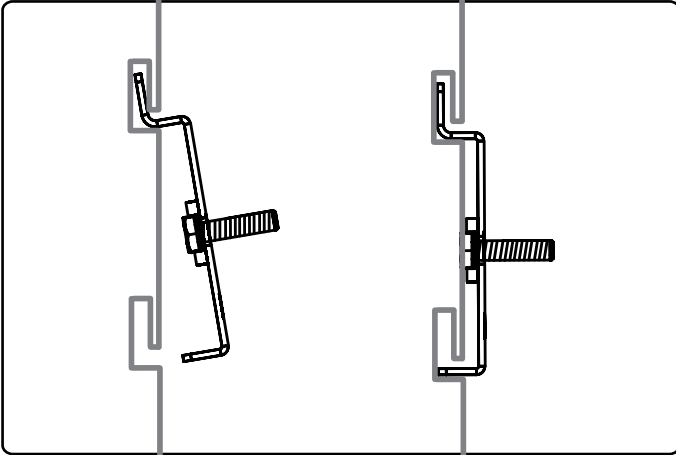
Note: Slatwall Brackets for use with standard 3" slatwall **Sold Separately**. Check with your slatwall supplier to determine the rated capacity of your slatwall. **DO NOT OVERLOAD.**

i Parts Needed.

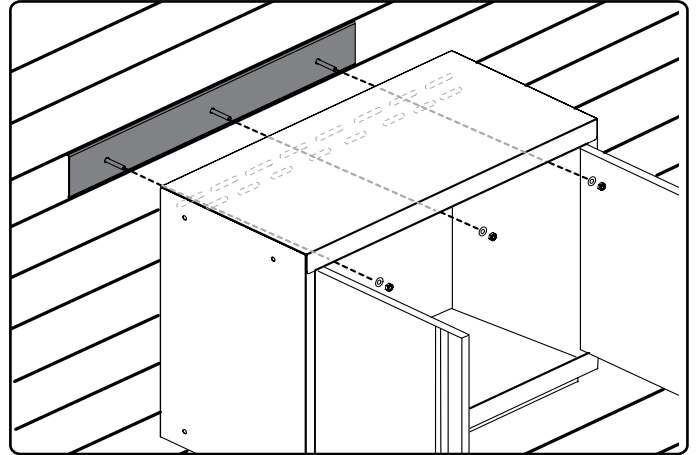
1 Insert bolts through slatwall bracket.



2 Attach bracket to slatwall at desired height.

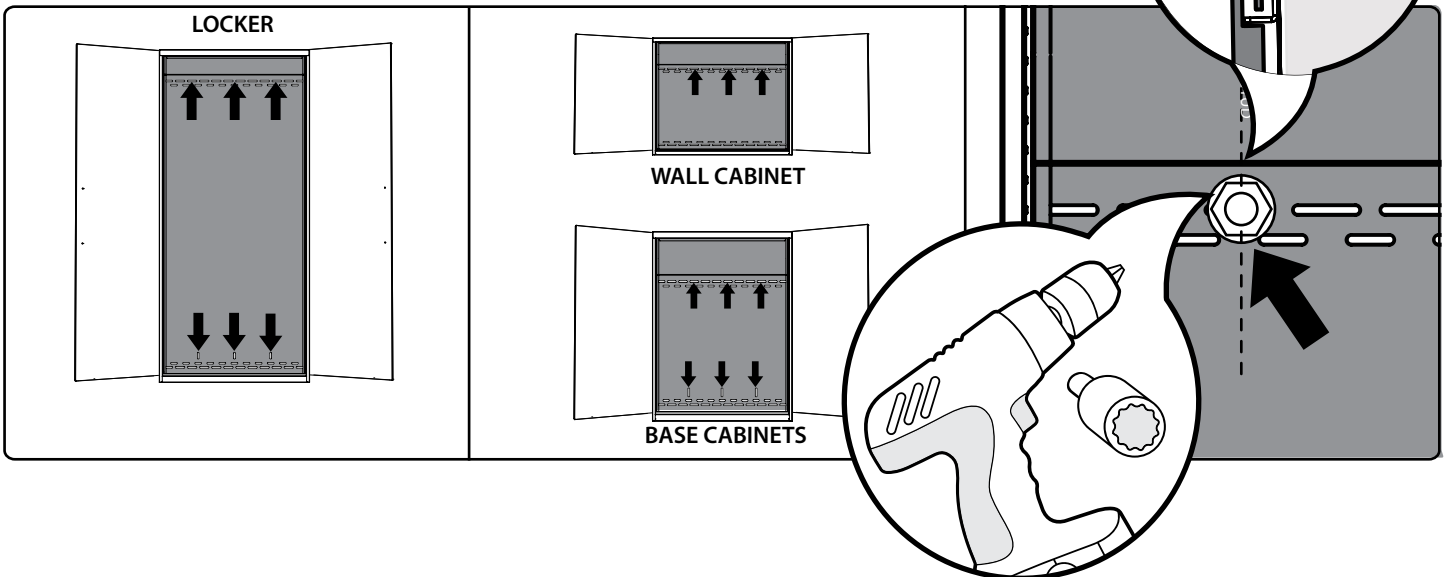


3 Align bolt with slots on back of cabinet and hang cabinet.



Note:For Locker cabinet attach second bracket 66" below first bracket. For Base cabinet attach second bracket 18" below first bracket.

4 Using 7/16" drill socket or 7/16" wrench securely tighten lock nuts to each wall bracket from inside cabinet.



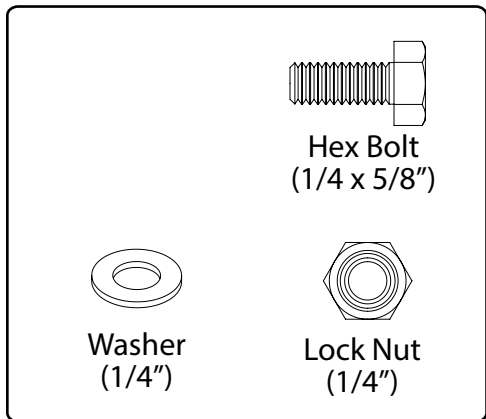
Fastening Cabinets



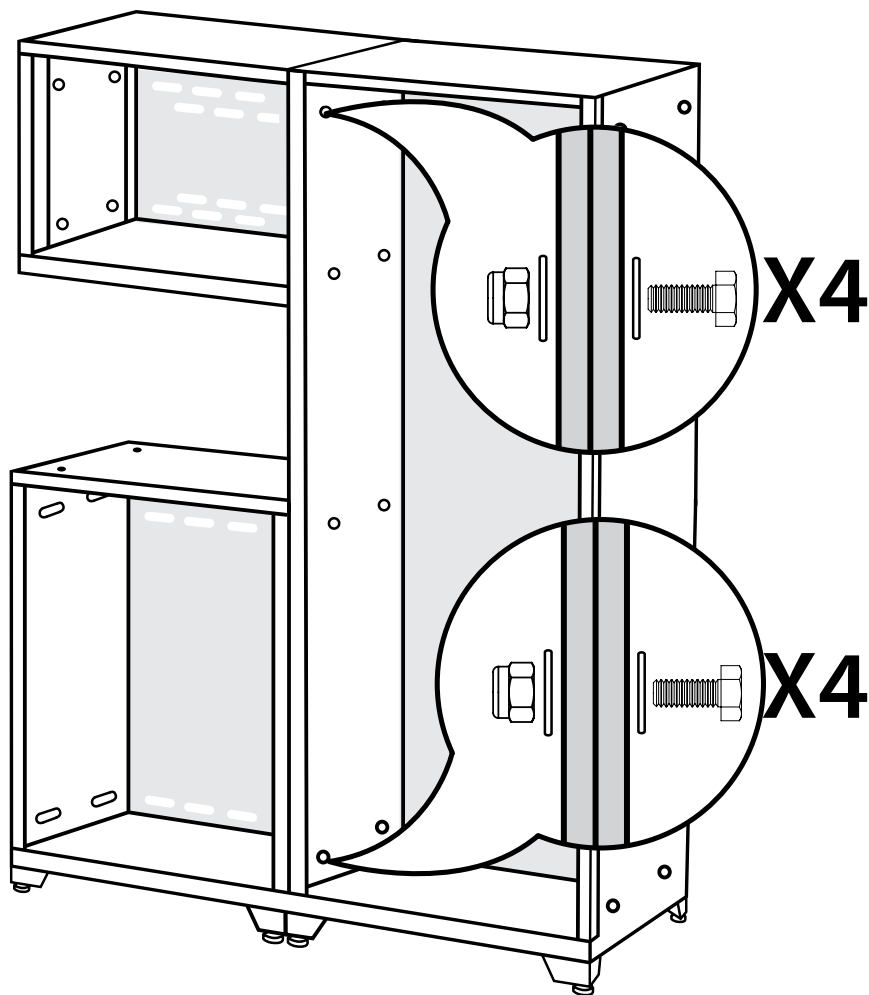
Note:

Fasten additional cabinets to initial securely mounted cabinet.

Parts Needed.



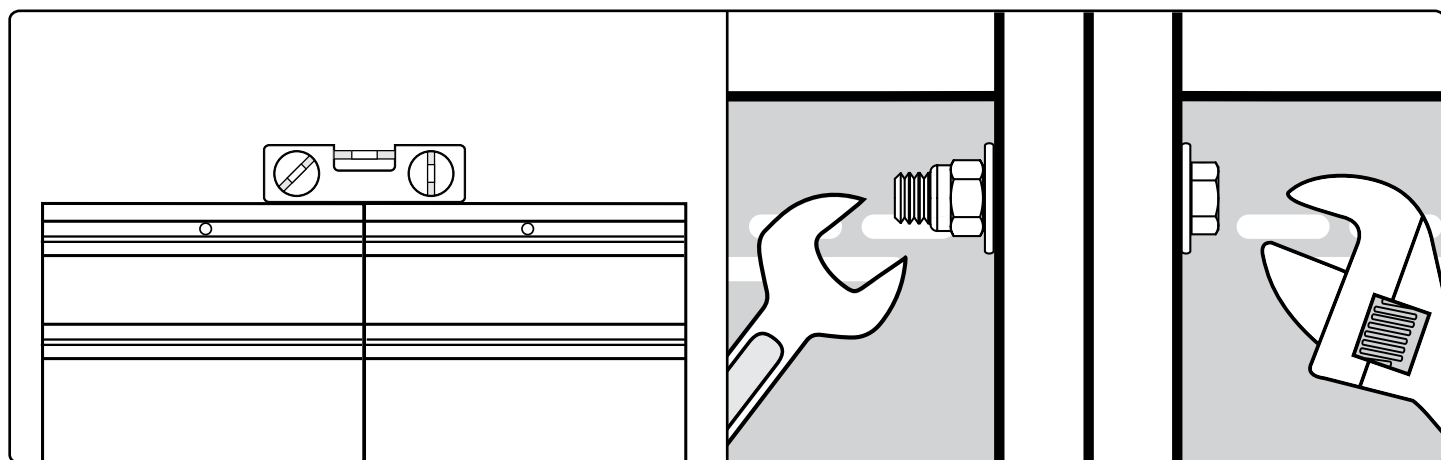
1 Align bolts, tighten lightly.



Note:

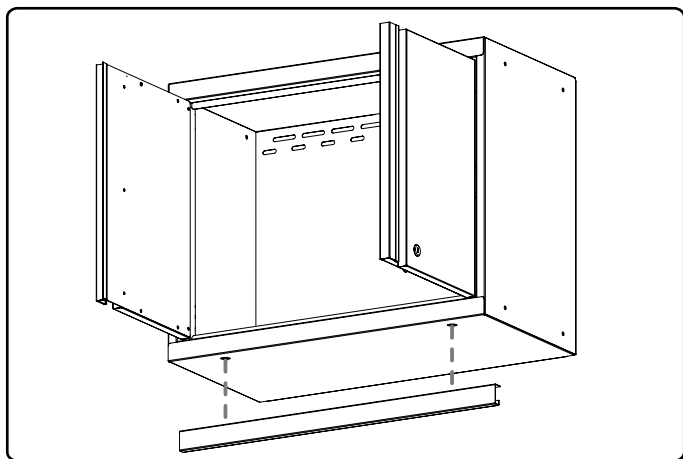
Remove all drawers before fastening cabinets.

2 Level cabinets and tighten all bolts.

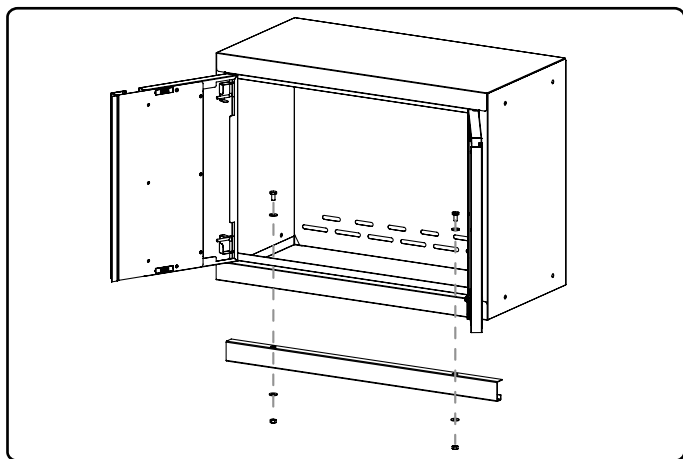


Attaching Light Valance to Wall Cabinet

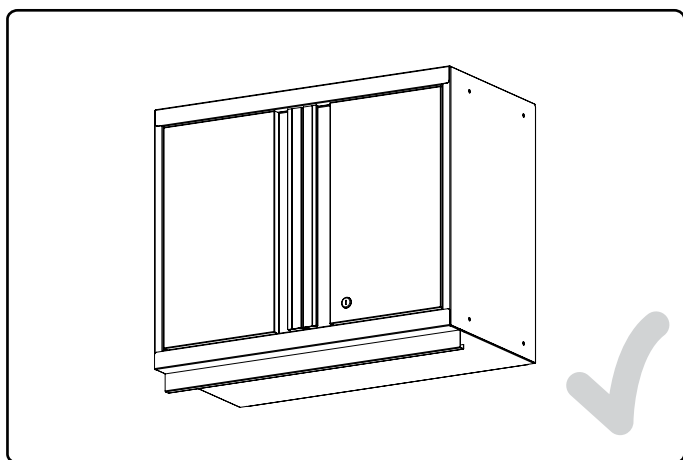
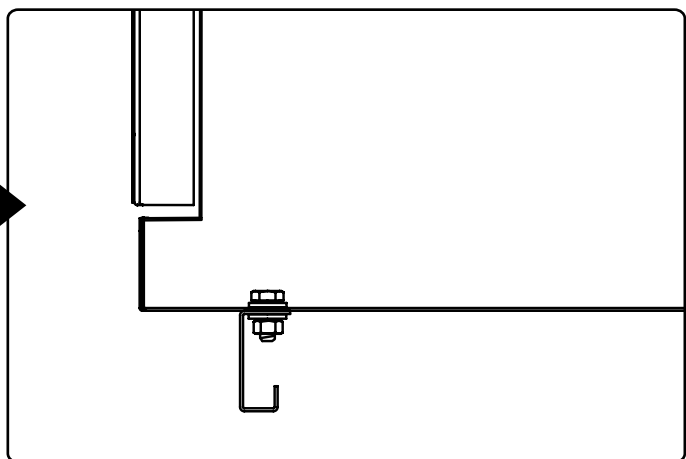
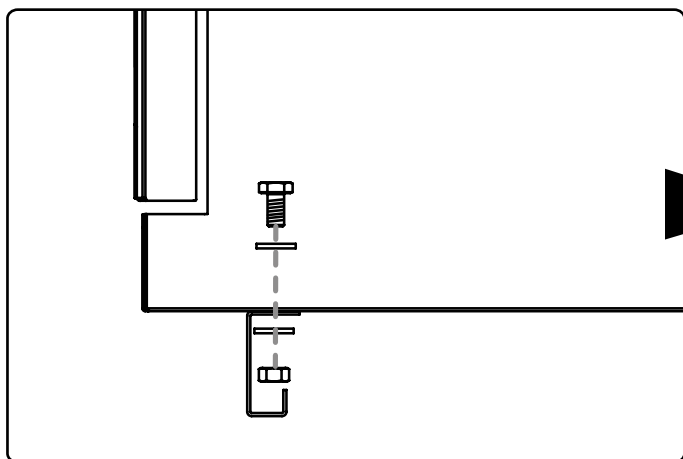
1 Align holes of valance with cabinet.



2 Insert and tighten bolt and nuts.

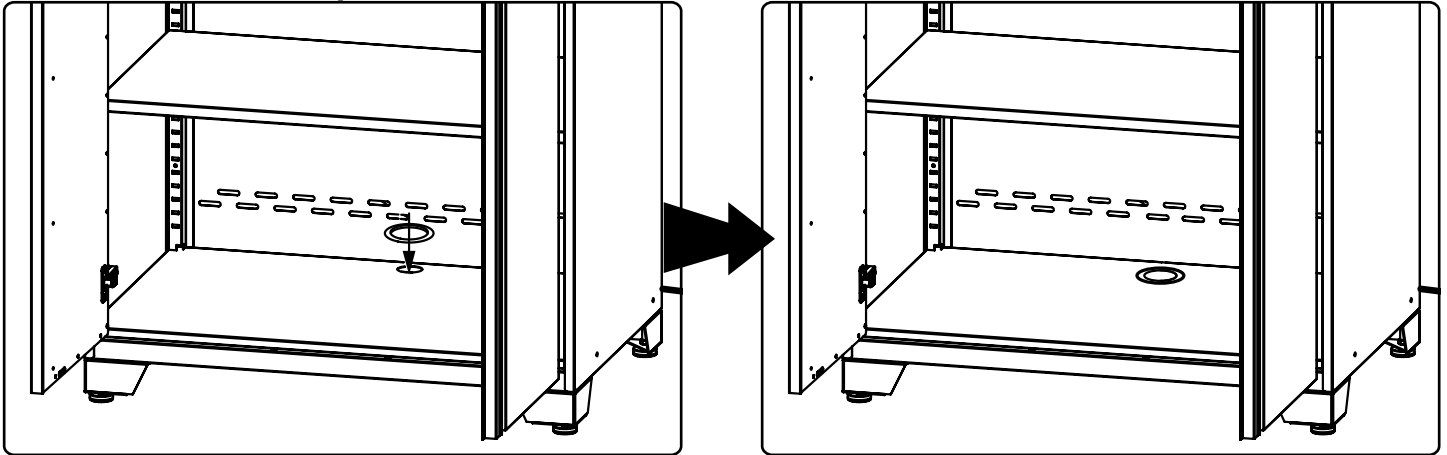


3 Cross Section View

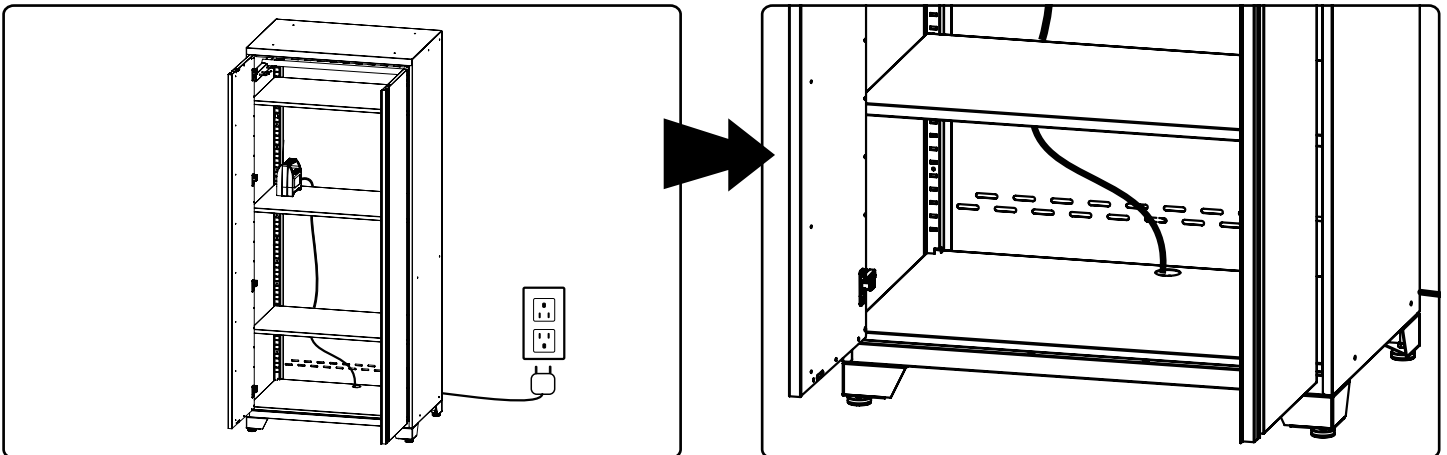


Utility Access

- 1 Insert rubber grommet into cut-out hole in bottom panel.



- 2 Utility hole allows easy access to electrical outlet



Thank you for purchasing a NewAge Product!

Please give us a call or visit online if you have any questions.

Call 1.877.306.8930; for UK 0800.031.4069; e-mail at info@newageproducts.com