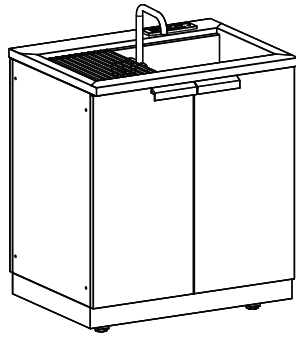
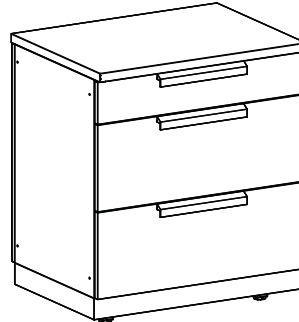


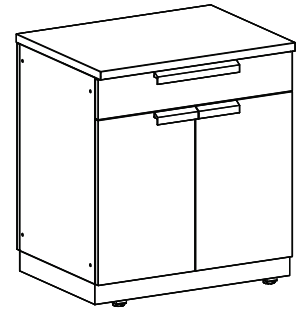
32" 2 Door Stainless Steel
65000



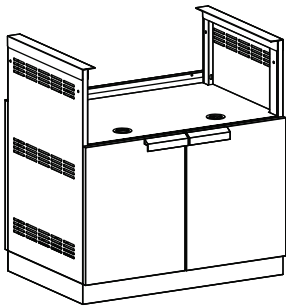
32" SINK Stainless Steel
65001



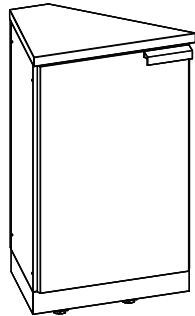
32" 3 Drawer Stainless Steel
65002



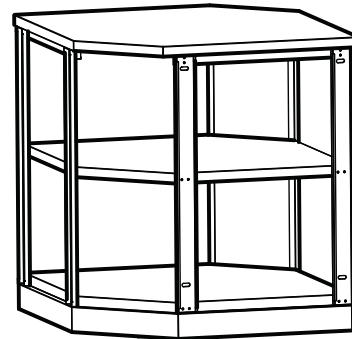
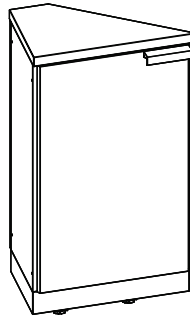
32" Bar Stainless Steel
65003



33" Insert Grill Stainless Steel
65004



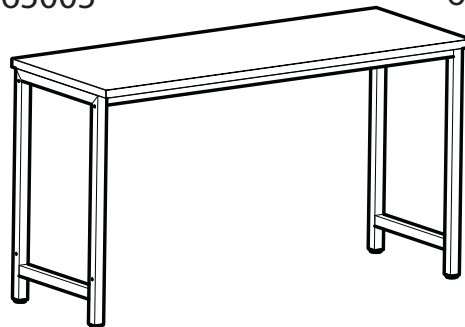
45 Degree Stainless Steel Set
65005



90 Degree Shelf Stainless Steel
65006



32" Bar Cart
65007



64" Prep Table
65008

OUTDOOR KITCHEN Stainless Steel Sets

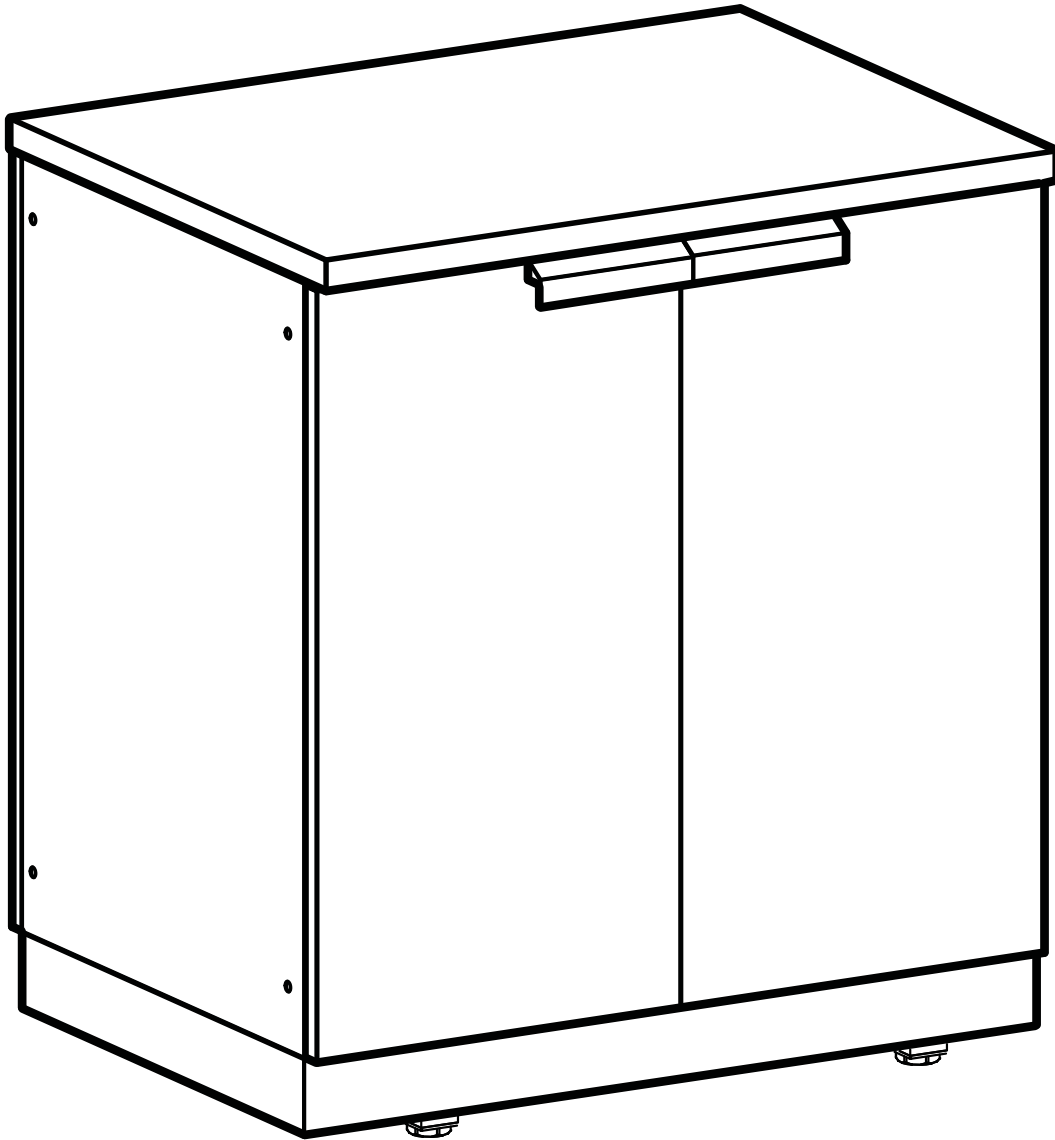


Warning: Excessive weight hazard!

Use two or more people to move, assemble or install cabinets and shelves to avoid back injury.
Do not leave children unattended near cabinets.

For assistance, call 1.877.306.8930; for UK 0800.031.4069; e-mail at info@newageproducts.com

65000-Series Cabinets



OUTDOOR KITCHEN 32" 2 Door Cabinet SS



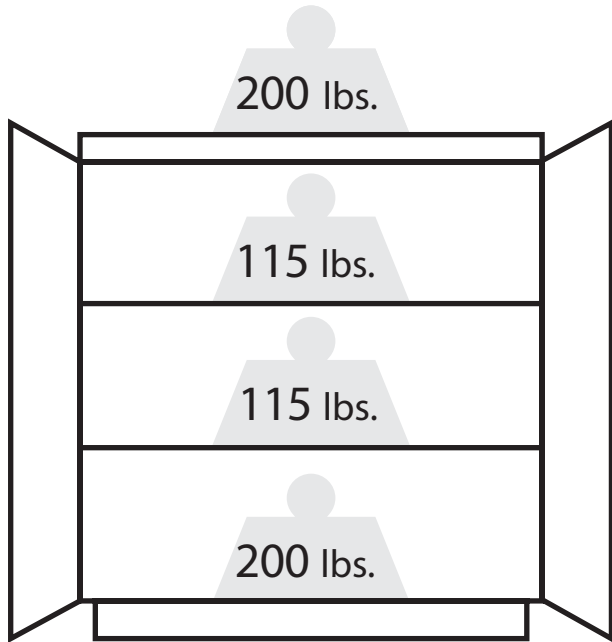
Warning: Excessive weight hazard!

Use two or more people to move, assemble or install cabinets and shelves to avoid back injury.

Do not leave children unattended near cabinets.

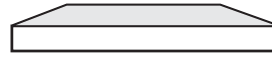
For assistance, call 1.877.306.8930; for UK 0800.031.4069; e-mail at info@newageproducts.com

Weight Capacity



32" - 2 Door Cabinet
Max 630 lbs.

Worktops



32" Worktop. Fits over 1 Cabinet



56" Worktop. Fits over 1 Cabinet & Fridge nook.



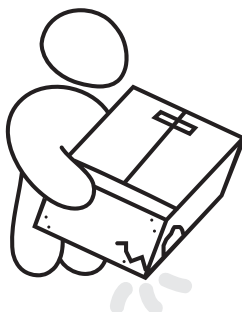
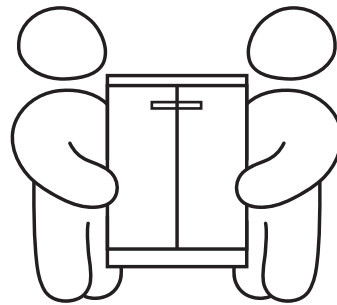
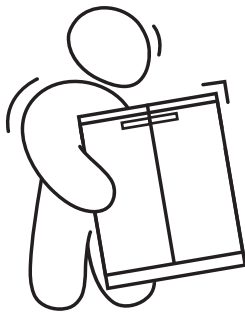
64" Worktop. Fits over 2 Cabinets



88" Worktop. Fits over 2 Cabinets & Fridge nook.



96" Worktop. Fits over 3 Cabinets



Unpacking

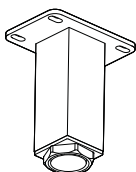
- Begin by placing the package on a protected flat surface.
- Remove all cardboard, foam packaging material and clear plastic bags.
- Dispose / recycle all packaging materials.
- Verify all the contents in the box and gather the required tools. See “Parts” and “Tools Needed” in the list below.

Parts Supplied

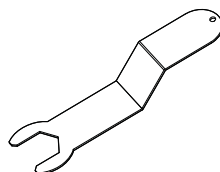
	2 Door Cabinet
Height-Adjustable Aluminum Legs	4
Hex Bolt (M6 x 25mm)	16
Hex Bolt (M5 x 50mm)	4
Hex Nuts (M5)	4
Leg Adjustment Wrench	1
Adjustable Shelves	2
Shelf Clips	8



2 x Full Width Adjustable Shelves



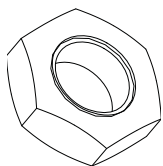
4 x Height-Adjustable Aluminum Legs



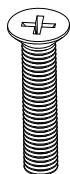
1 x Leg Wrench



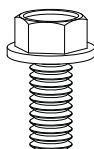
2 x Plated Aluminum Handles



4 x Hex Nuts (M5)



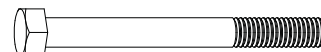
4 x Handle Bolts (M4 x 30mm)



16 x Hex Bolts (M6 X 25mm)



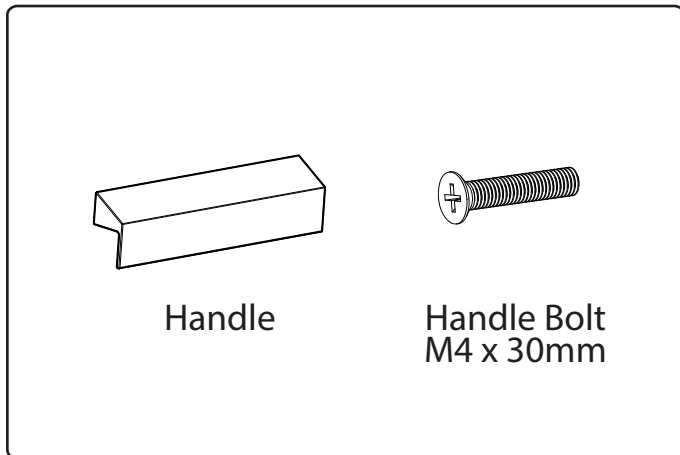
8 x Shelf Clips



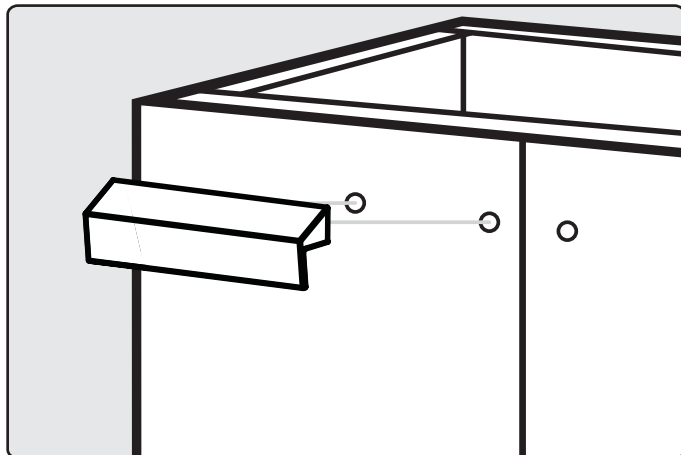
4 x Hex Bolts (M5 x 50mm)

Installing the Handles

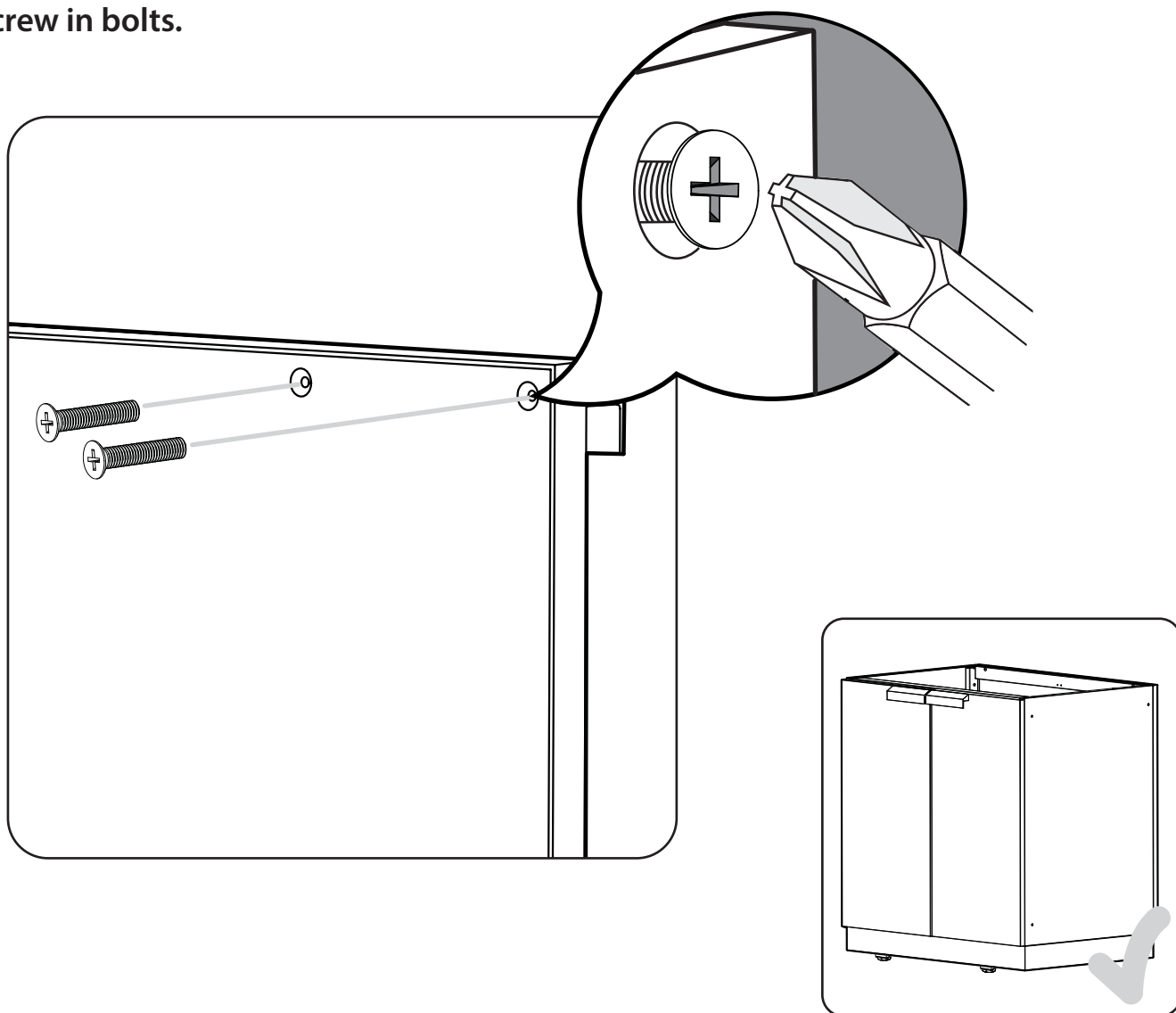
1 Parts Needed.



2 Align handle to holes on doors or drawers.

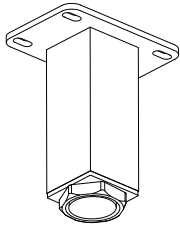


3 Screw in bolts.

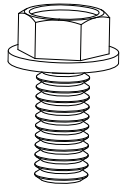


Installing the Legs

i Parts Needed.

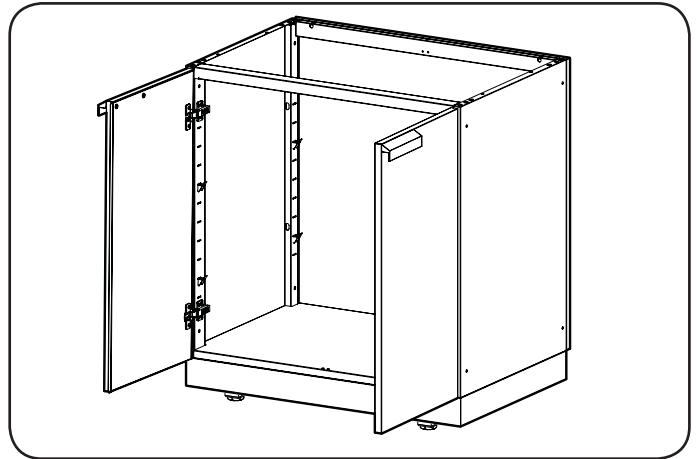


4 X Adjustable Feet

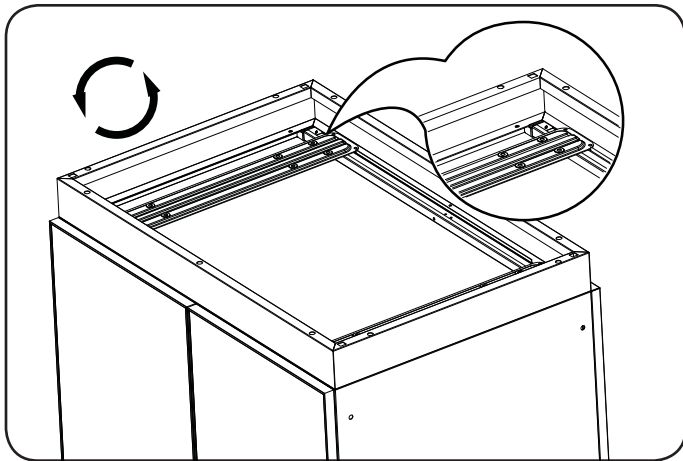


16 X Hex Washer Bolt

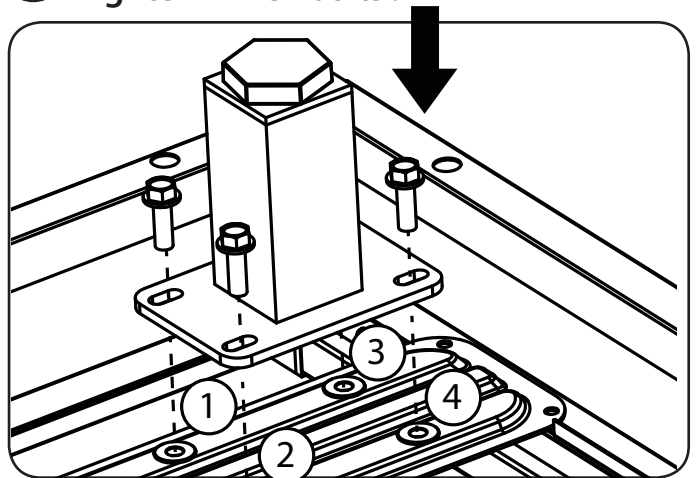
1 Open cabinet, remove any shelves or loose items.



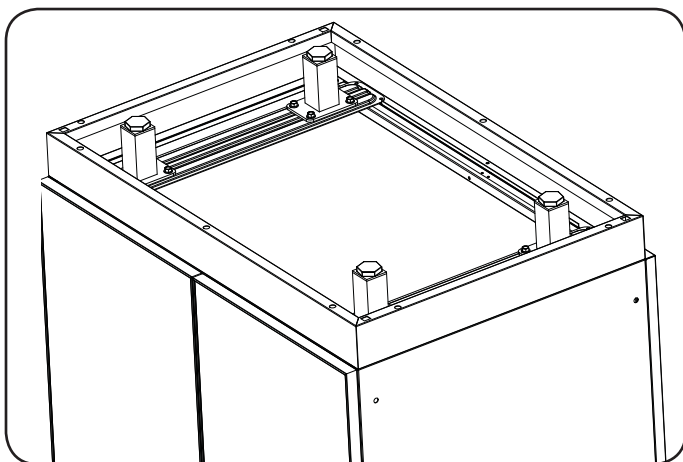
2 Flip cabinet upside down, locate holes on crossbeam.



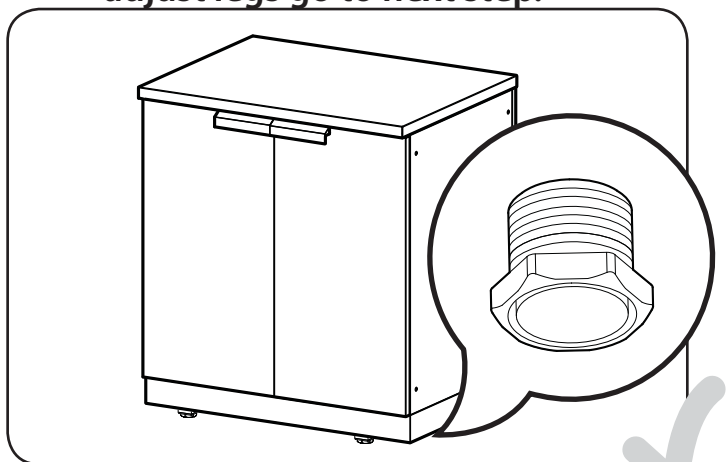
3 Align leg with rivet nuts on crossbeam. Tighten in Hex bolts.



4 Repeat step 3 for each corner.

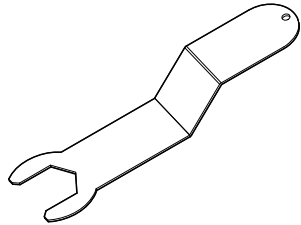


5 Stand cabinet upright. To level and adjust legs go to next step.



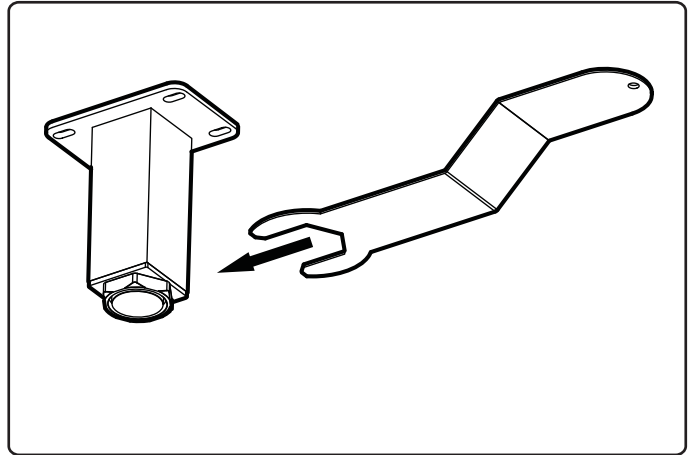
Levelling the Legs

i Parts Needed.

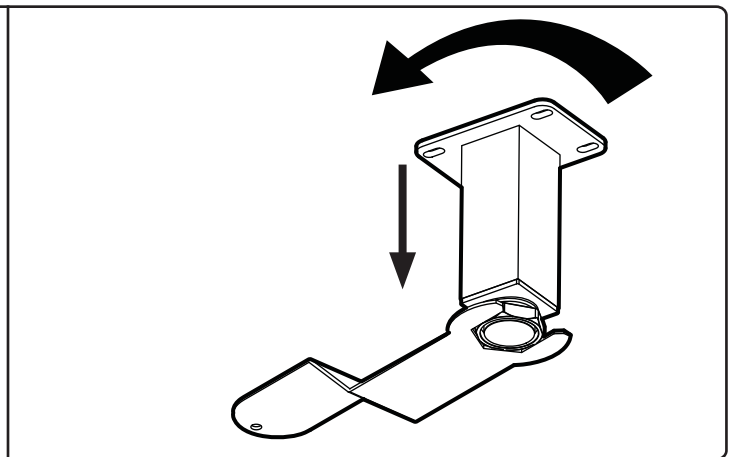
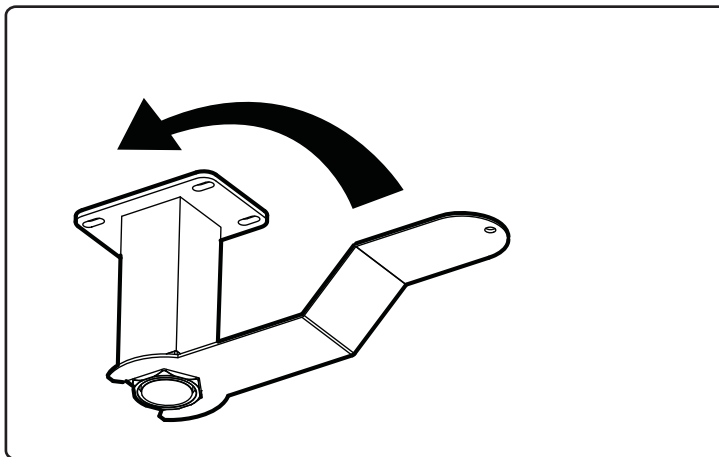


1 X Glide Wrench

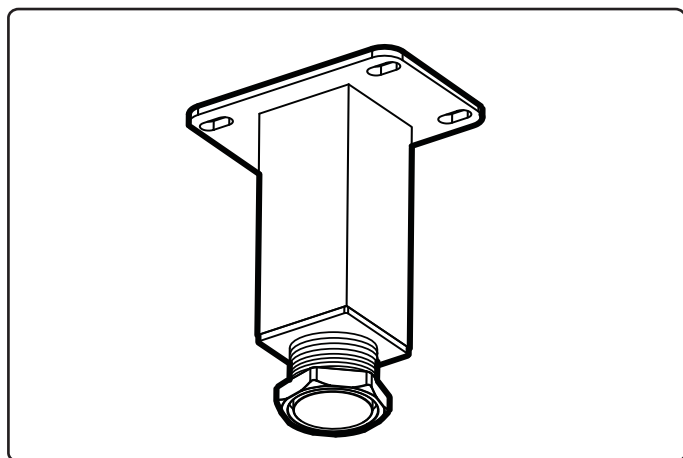
1 Use wrench to level cabinet and adjust height.



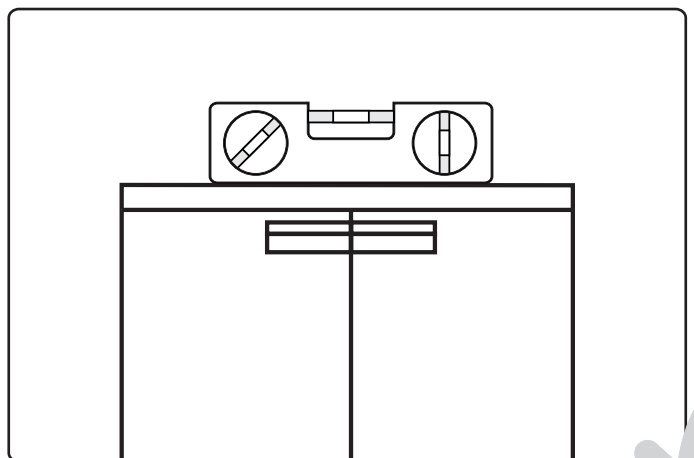
2 Rotate wrench to lower or raise corner of cabinet.



3 Repeat step 1-3 for each corner.

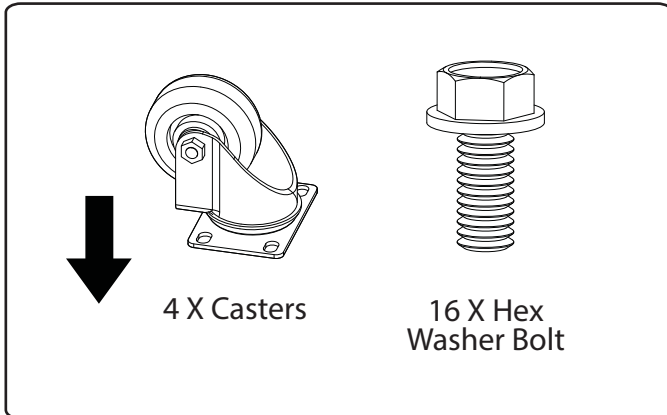


4 Level Cabinet.

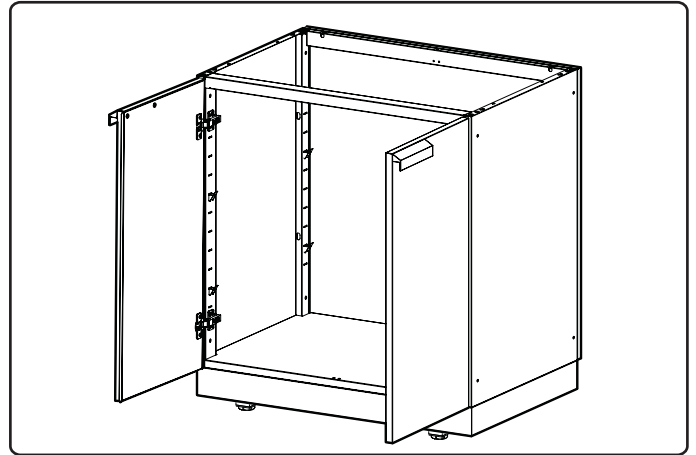


Installing the Casters(optional)

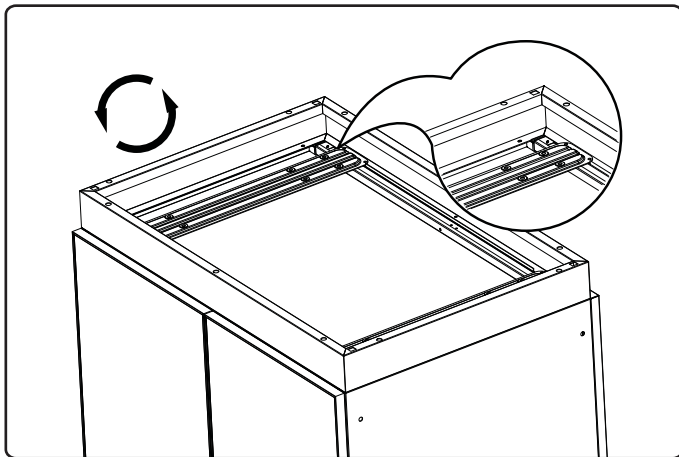
i Parts Needed.



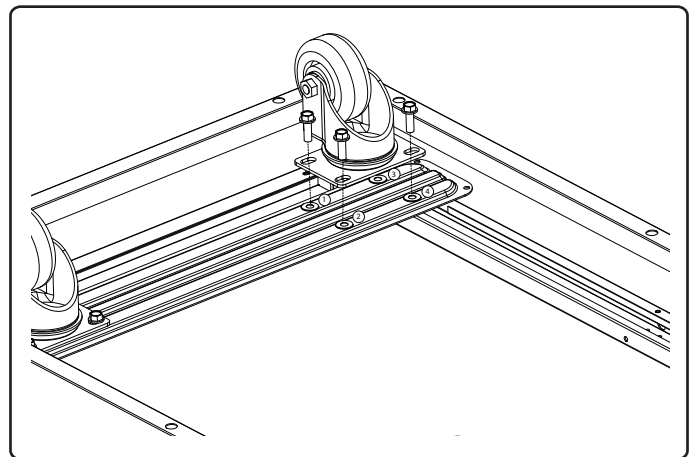
1 Open cabinet, remove any shelves or loose items.



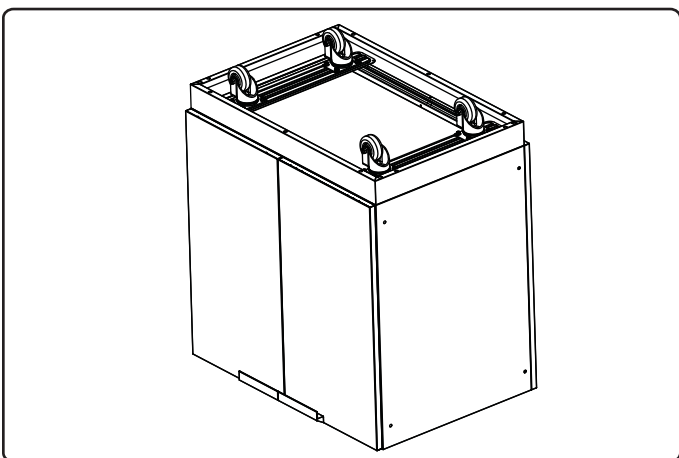
2 Flip cabinet upside down on protected surface and locate holes on crossbeam.



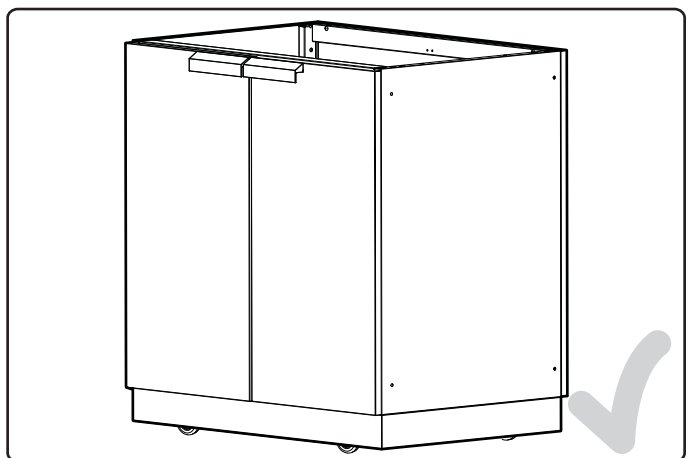
3 Align caster with holes on crossbeam. Tighten in Hex bolts.



4 Repeat step 3 to install all casters

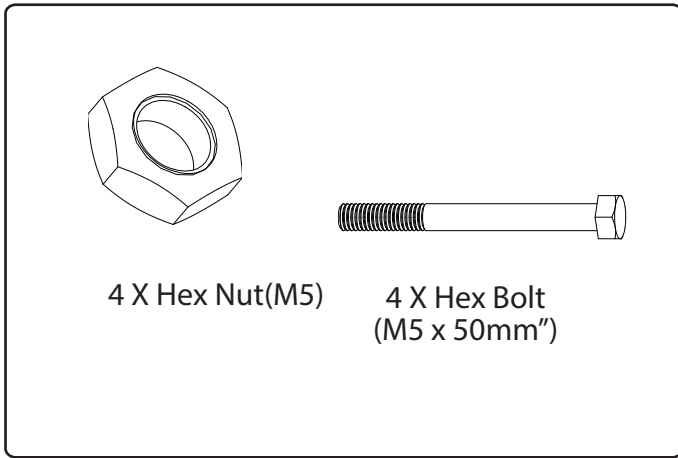


5 Stand cabinet upright.

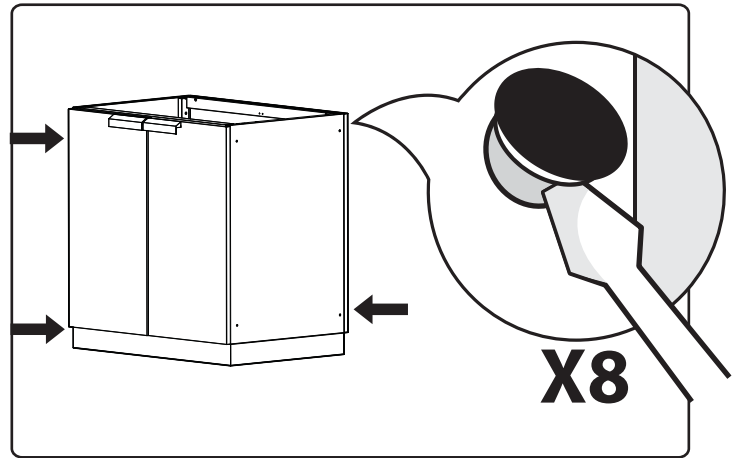


Fastening Cabinets(to each other)

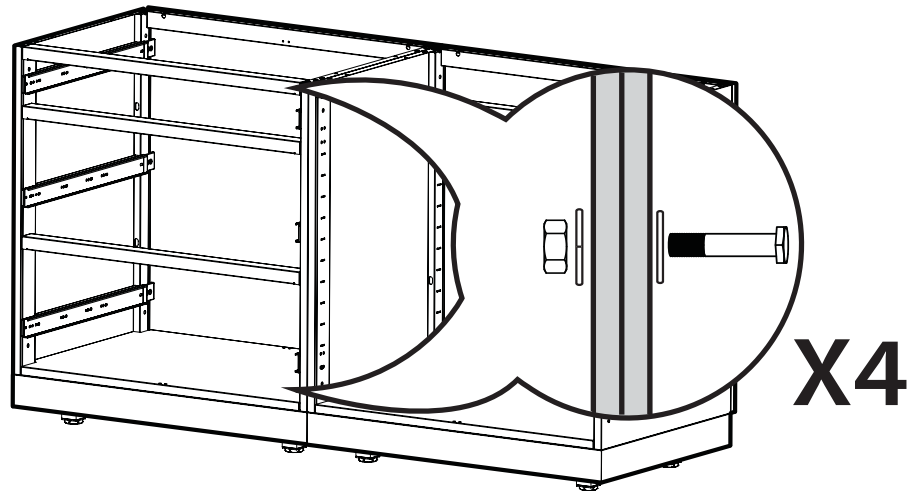
1 Parts Needed.



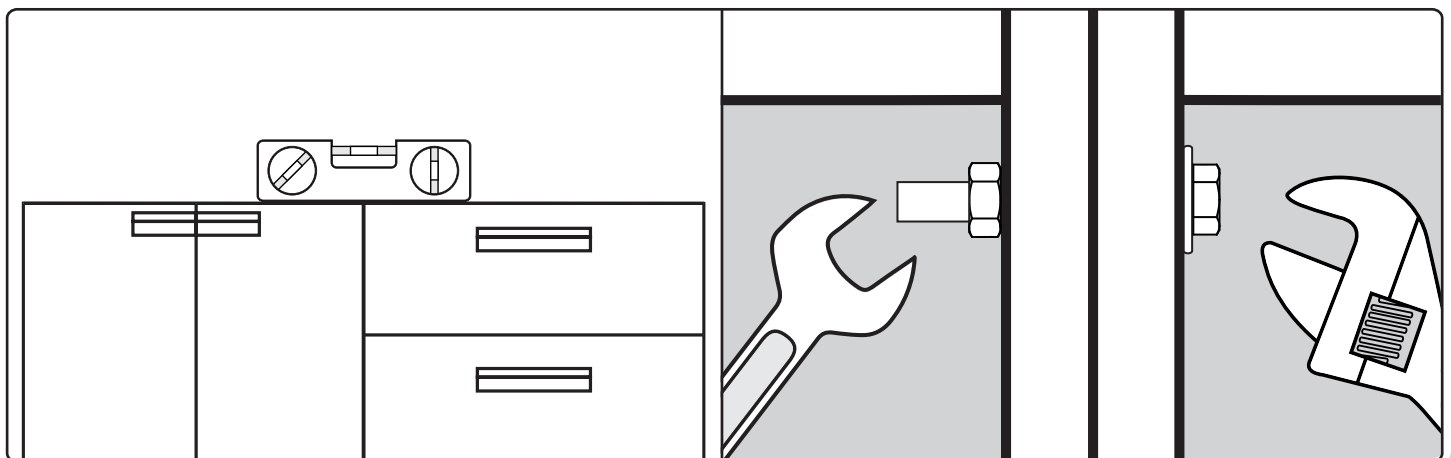
2 Remove plastic caps from cabinets.



3 Align bolts, tighten lightly.

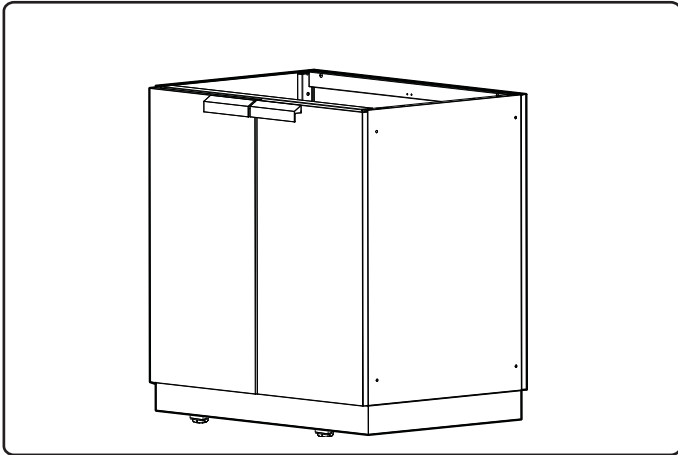


4 Level cabinets and tighten all bolts.

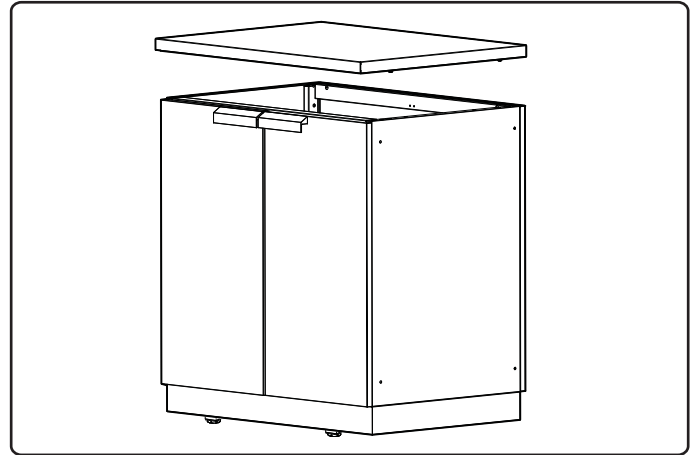


Mounting the Worktop

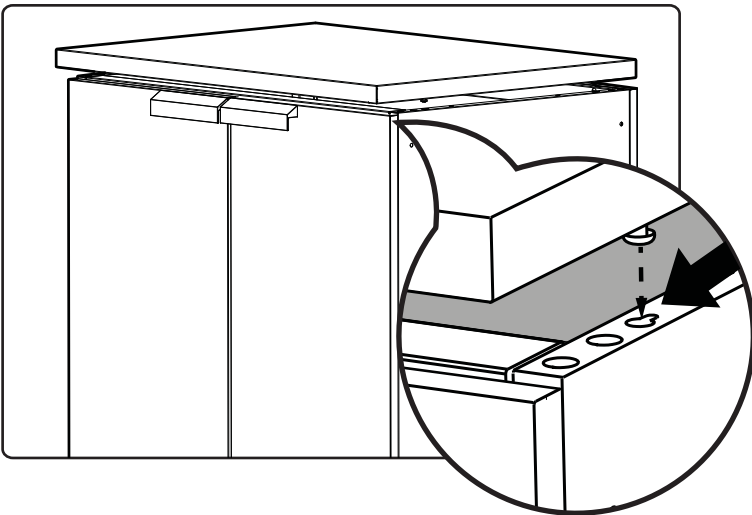
1 Stand cabinet upright.



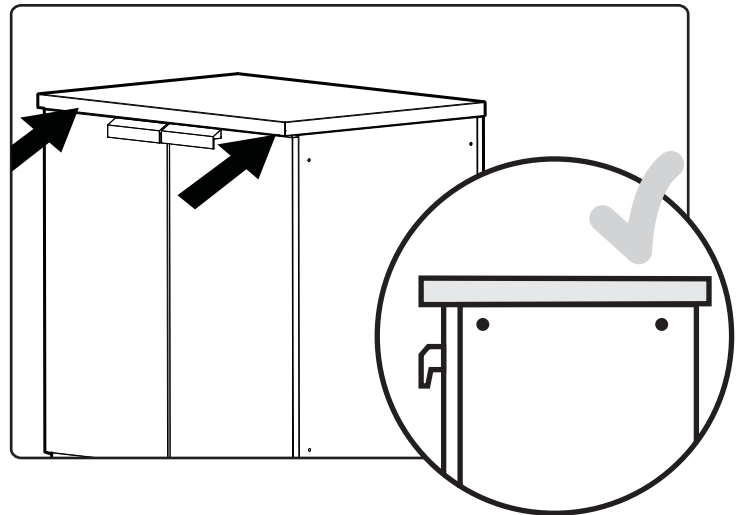
2 Place worktop over cabinets.



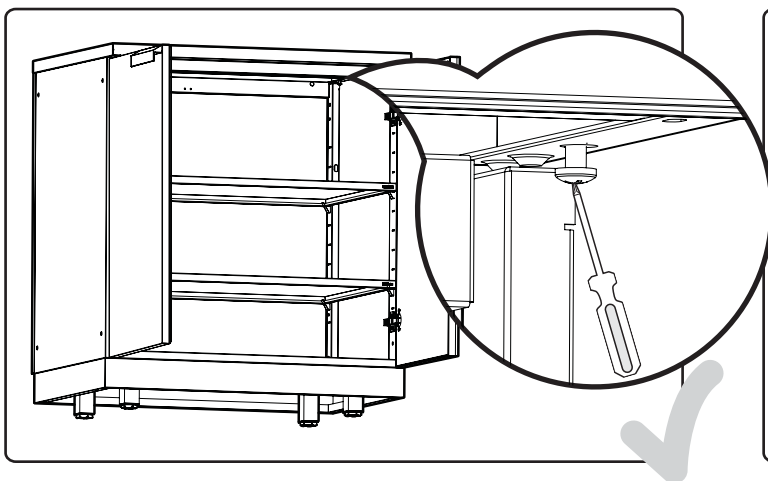
3 Insert the worktop bolt heads into the keyhole shape slots.



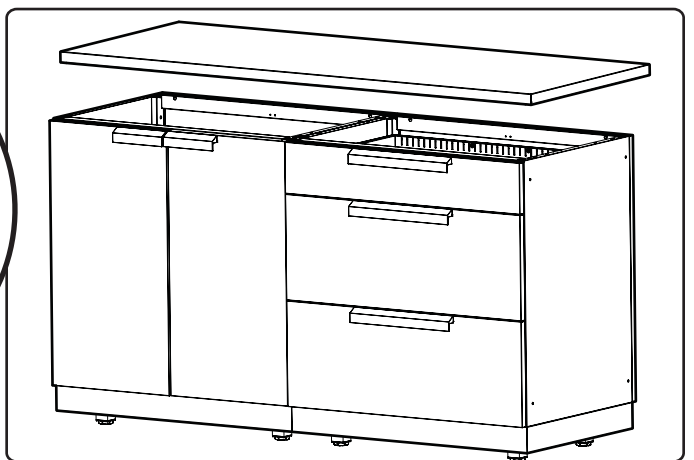
4 Push worktop in to lock.



5 Tighten screws to secure cabinets.

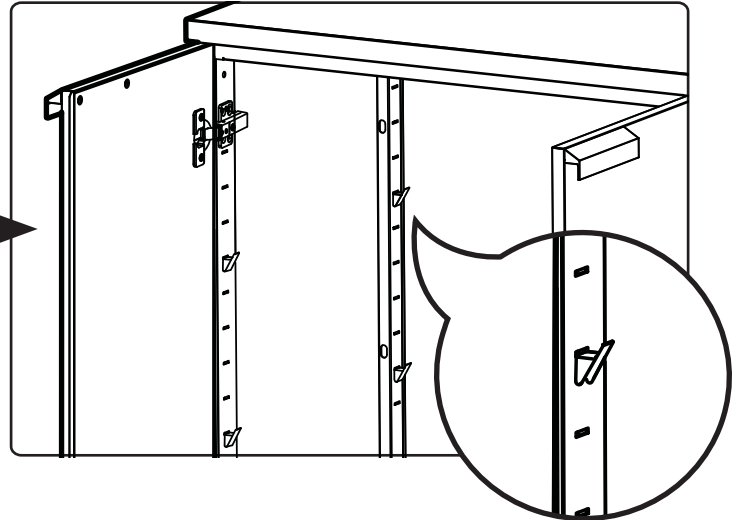
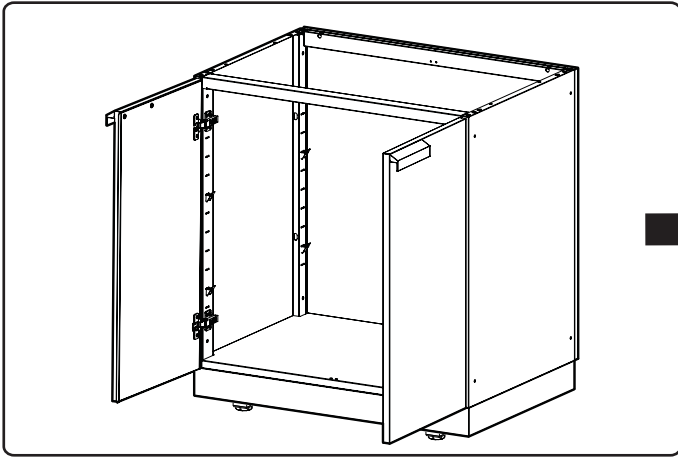


Optional: Repeat steps 2-5 for mounting larger worktops.

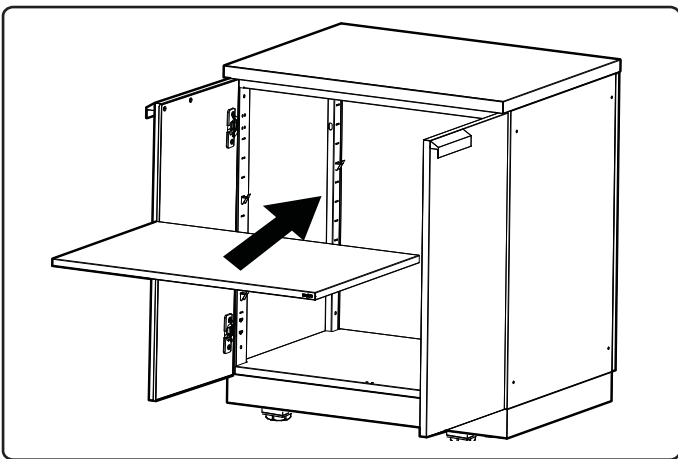


Inserting Cabinet Shelves

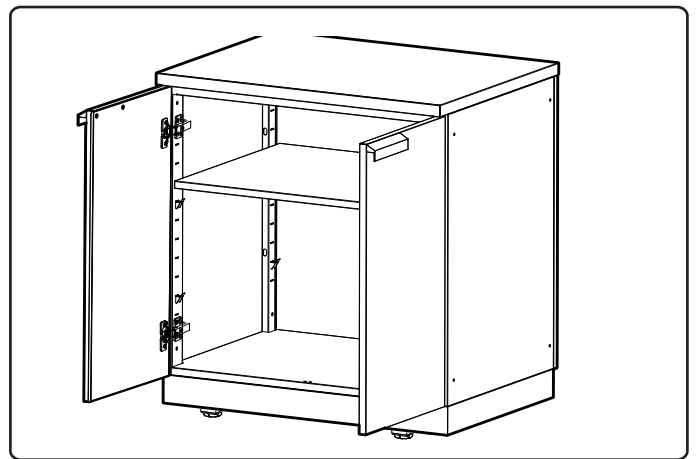
- 1** Open cabinet doors. Attach shelf clips to desired height.



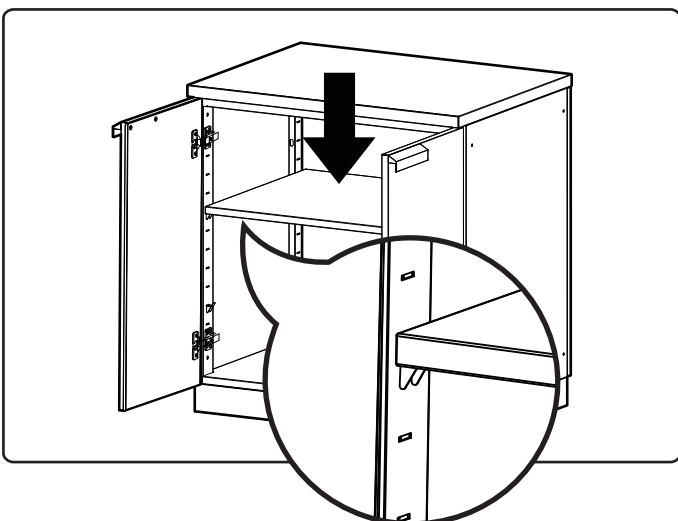
- 2** Begin with shelf being level.



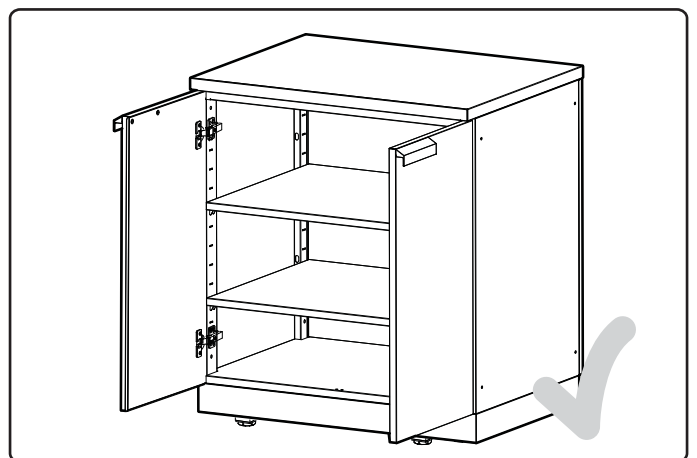
- 3** Insert and position above shelf clips.



- 4** Lower shelf down onto shelf clips.



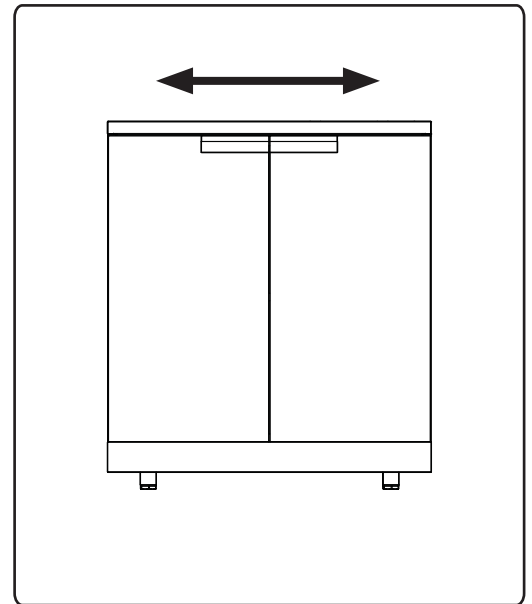
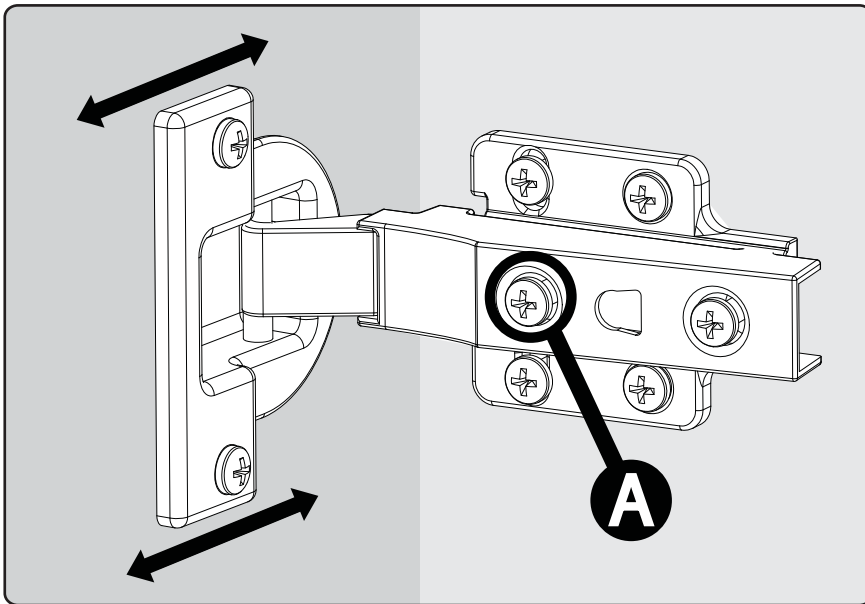
- 5** Install remaining shelves.



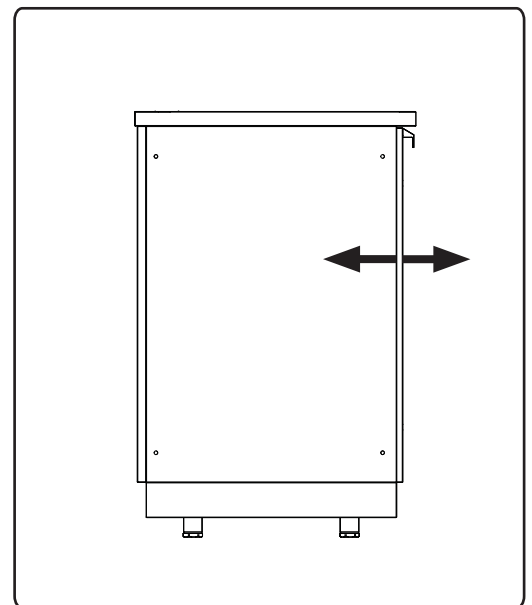
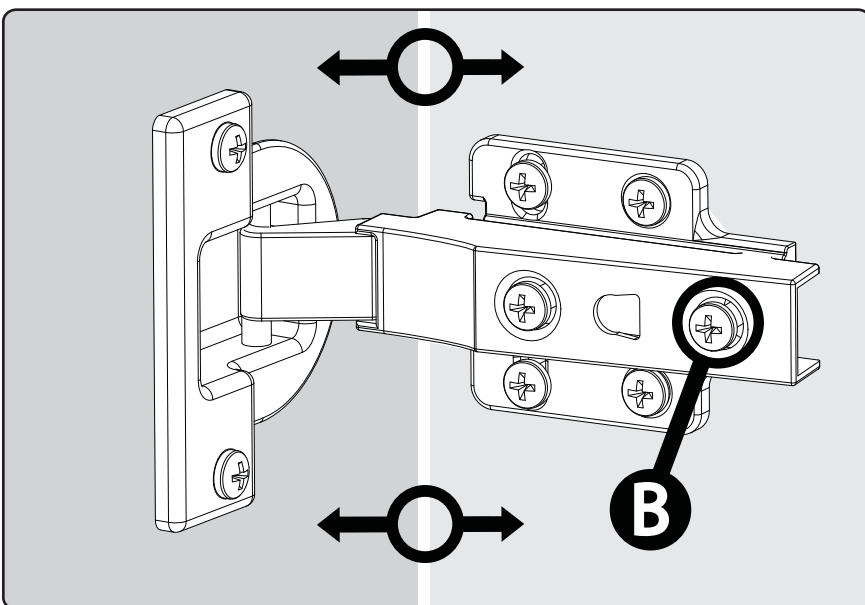
Adjusting The Door Hinges

Using a Philips screwdriver, the doors can be adjusted:
Left, right, forwards and backwards.

- 1 To adjust the doors left or right, turn the screw (A) clockwise or counterclockwise.



- 2 To adjust the gap between the doors and frame, turn the screw (B) clockwise or counterclockwise.



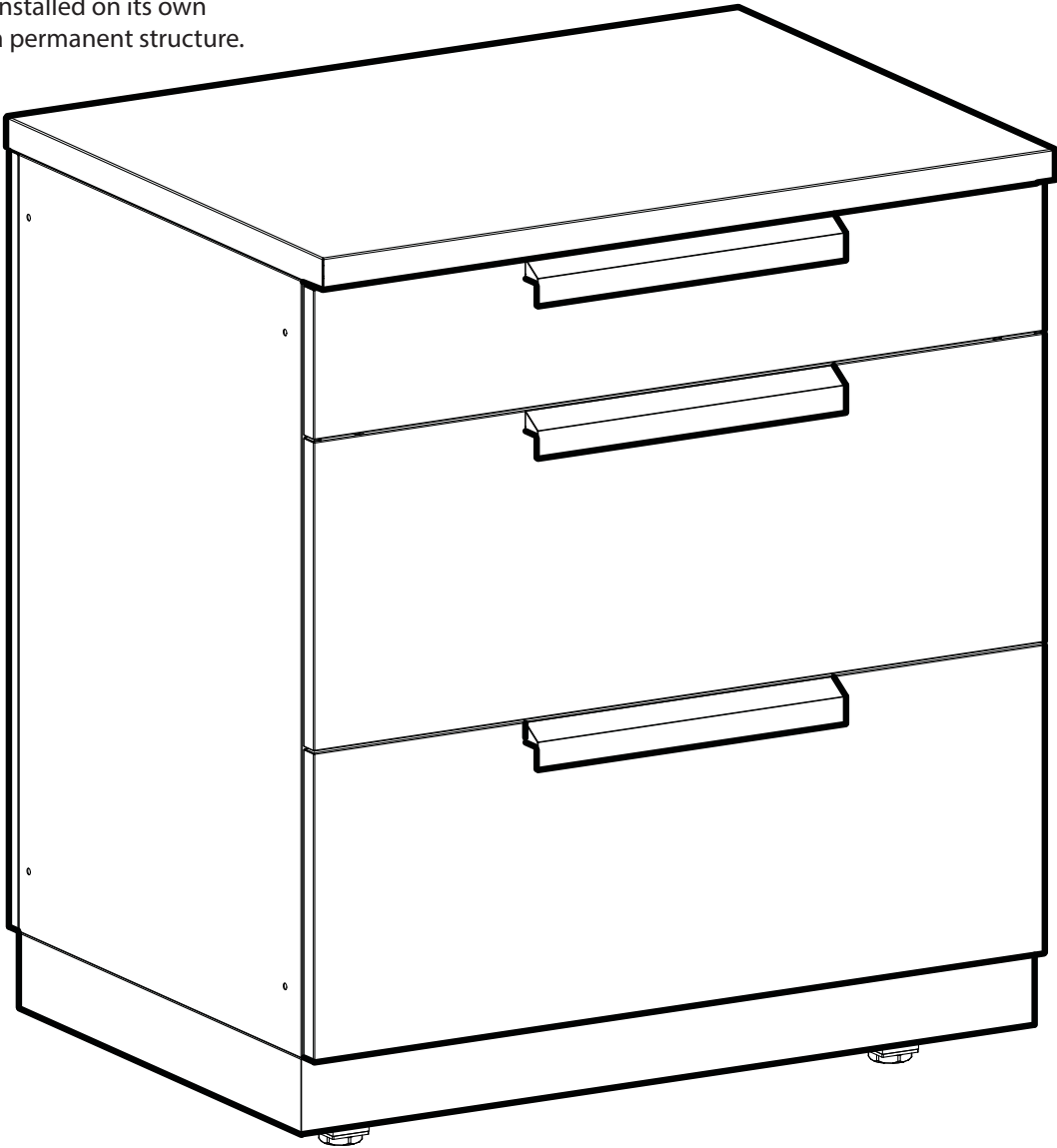
Thank you for purchasing a NewAge Product!

Please give us a call or visit online if you have any questions.

Call 1.877.306.8930; for UK 0800.031.4069; e-mail at info@newageproducts.com



Only open one drawer at a time.
If this Cabinet is installed on its own
please fasten to a permanent structure.



OUTDOOR KITCHEN 32"-3 Drawer Cabinet SS

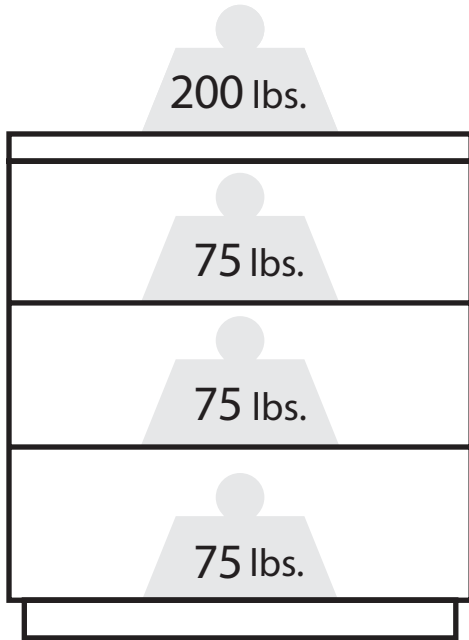


Warning: Excessive weight hazard!

Use two or more people to move, assemble or install cabinets and shelves to avoid back injury.
Do not leave children unattended near cabinets.

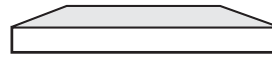
For assistance, call 1.877.306.8930; for UK 0800.031.4069; e-mail at info@newageproducts.com

Weight Capacity

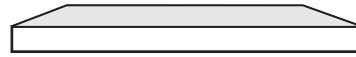


32" - 3 Drawer Cabinet
Max 425 lbs.

Worktops



32" Worktop, fits over 1 Cabinet.



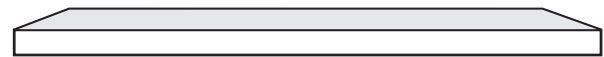
56" Worktop. Fits over 1 Cabinet & Fridge nook.



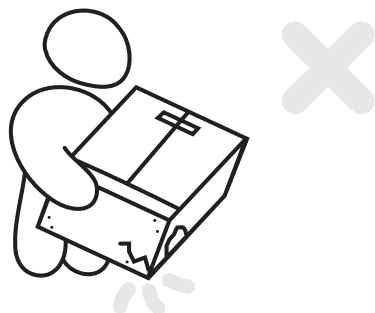
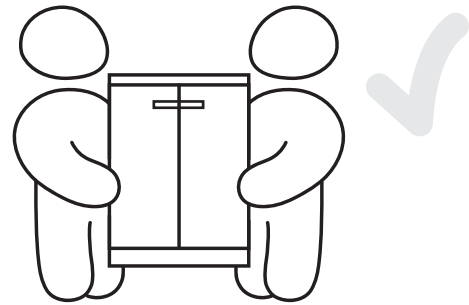
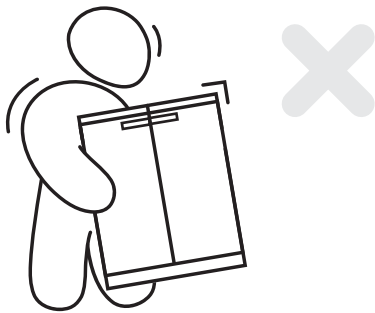
64" Worktop. Fits over 2 Cabinets



88" Worktop. Fits over 2 Cabinets & Fridge nook.



96" Worktop. Fits over 3 Cabinets

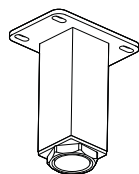


Unpacking

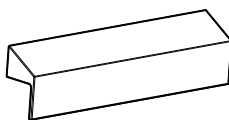
- Begin by placing the package on a protected flat surface.
- Remove all cardboard, foam packaging material and clear plastic bags.
- Dispose / recycle all packaging materials.
- Verify all the contents in the box and gather the required tools. See “Parts” and “Tools Needed” in the list below.

Parts Supplied

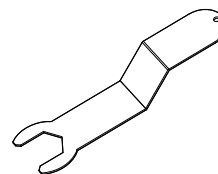
	3 Drawer Cabinet
Height-Adjustable Aluminum Legs	4
Hex Bolt (M5 x 50mm)	4
Hex Bolt (M6 x 25mm)	16
Hex Nuts (M5)	4
Handle Bolts (M4 x 30mm)	6
Aluminum Plated Handles	3
Leg Adjustment Wrench	1



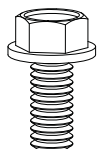
Height-Adjustable
Aluminium Leveling Legs



Handle



1 x Leg Wrench



Hex
Washer Bolt
(M6 x 25mm)



4 X Hex Nut
(M5)



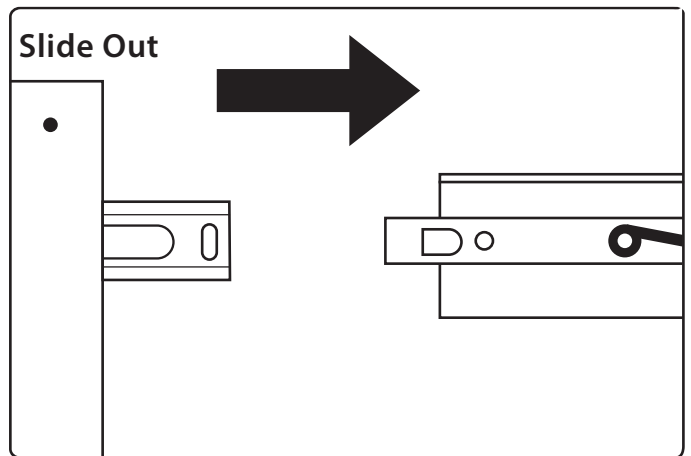
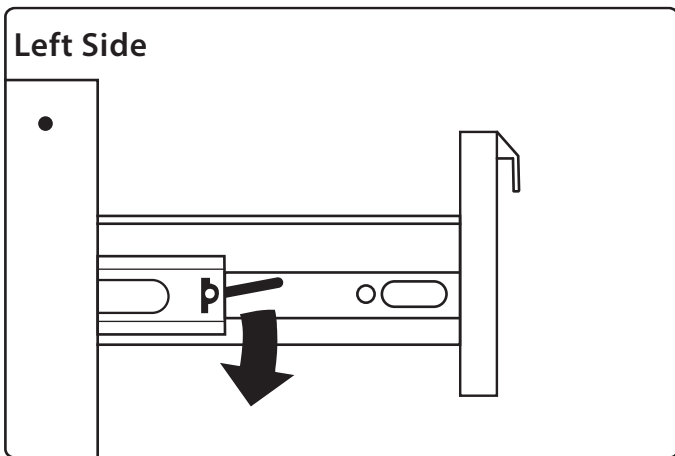
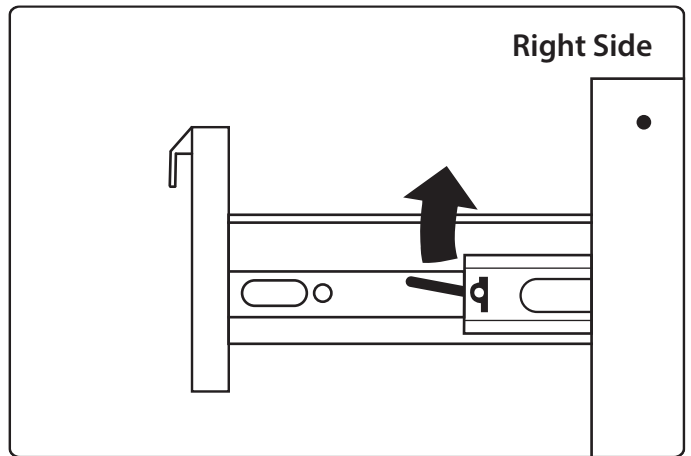
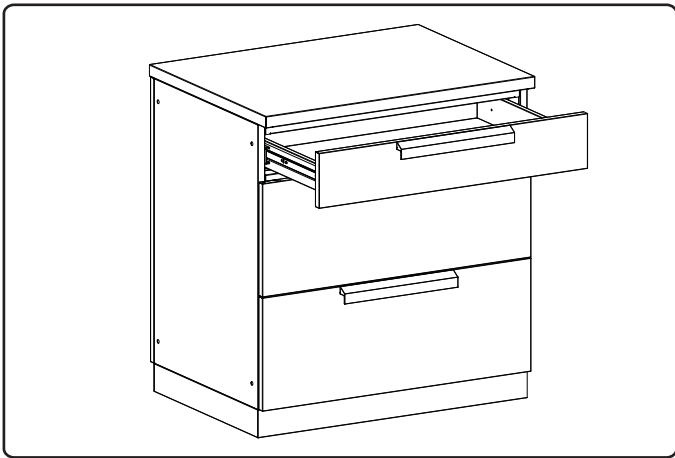
Handle Bolt
(M4 x 30mm)



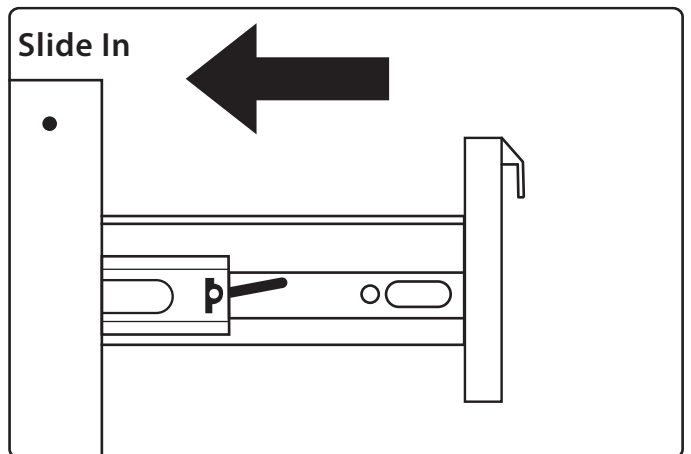
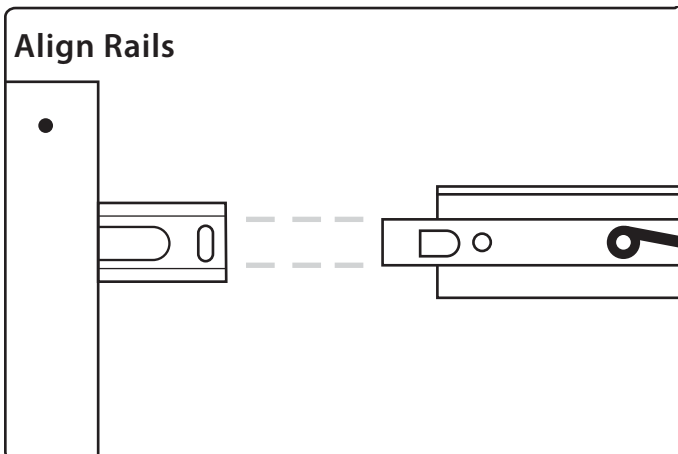
Hex Bolt
(M5 x 50mm)

Installing the Drawers

Removing Drawers.

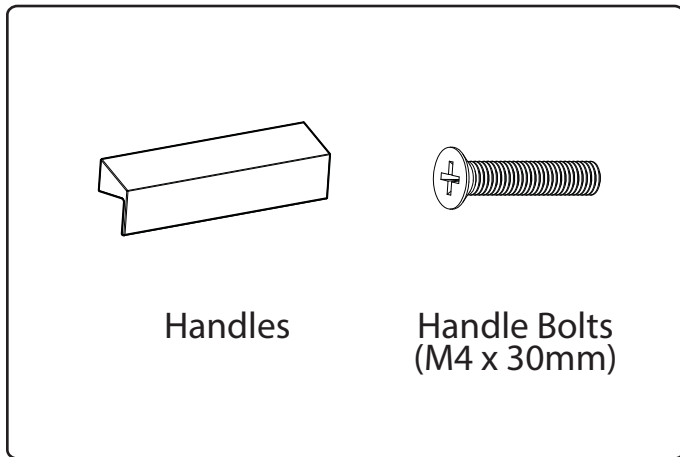


Inserting Drawers.

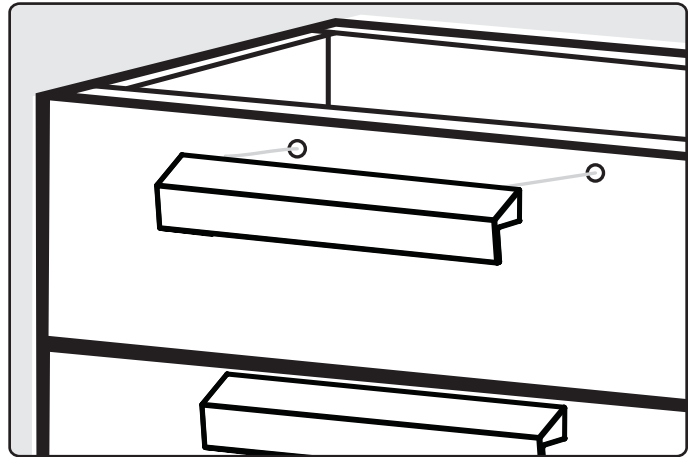


Installing the Handles

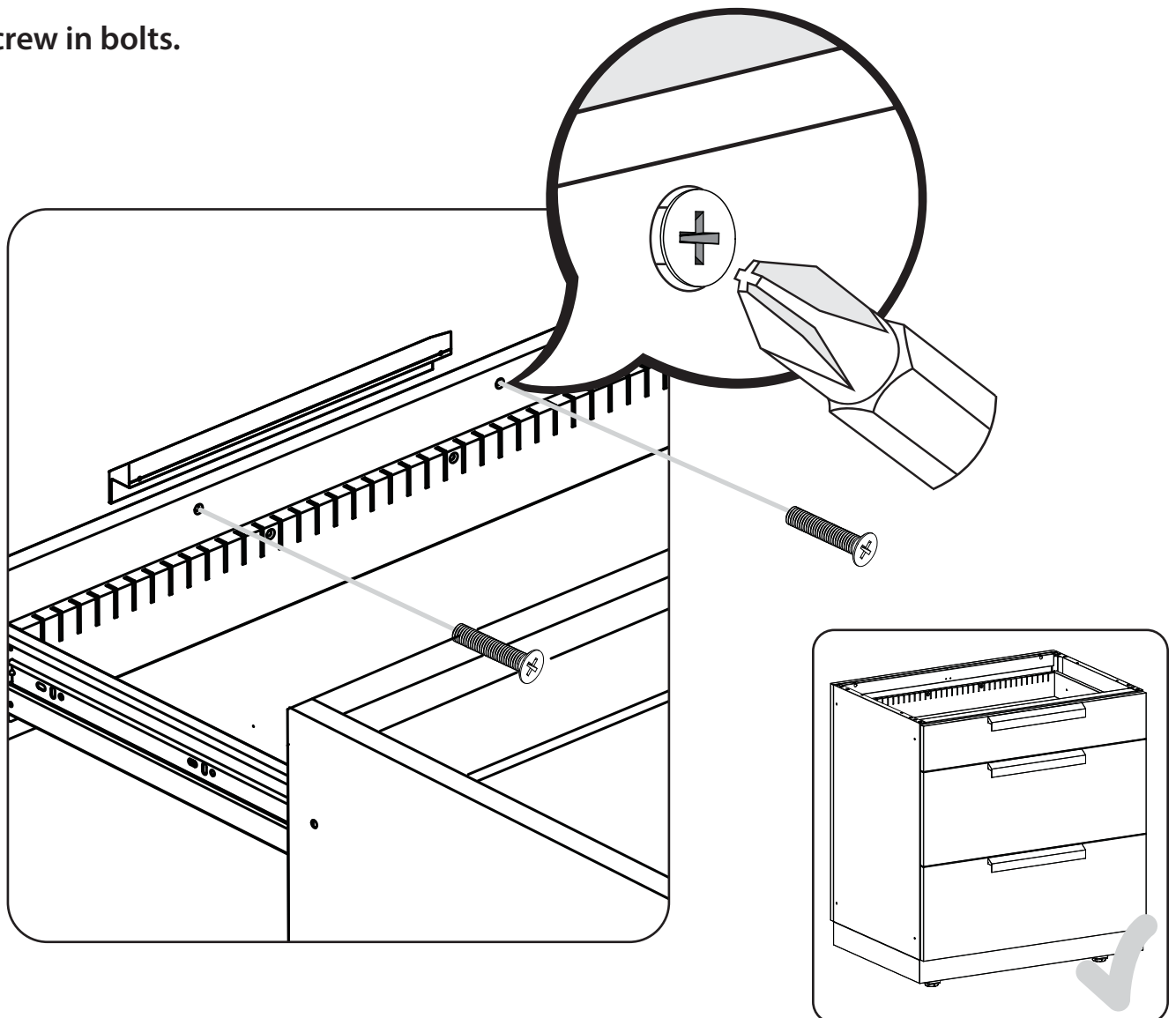
1 Parts Needed.



2 Align handle to holes on doors or drawers.

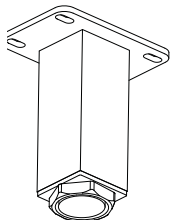


3 Screw in bolts.

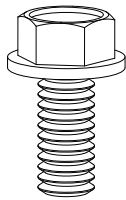


Installing the Legs

i Parts Needed.

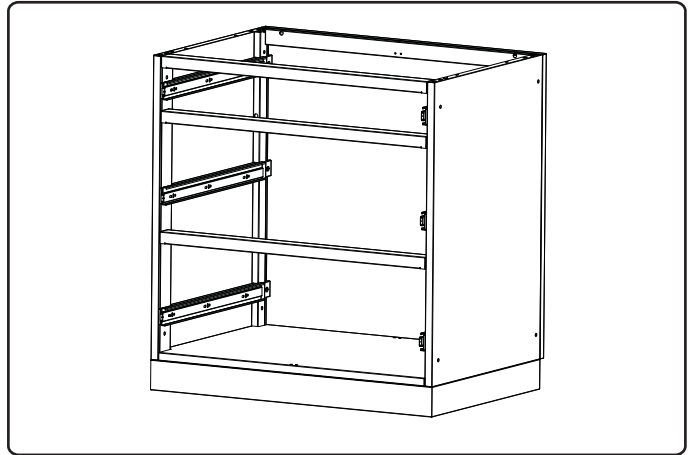


4 X Adjustable
Legs

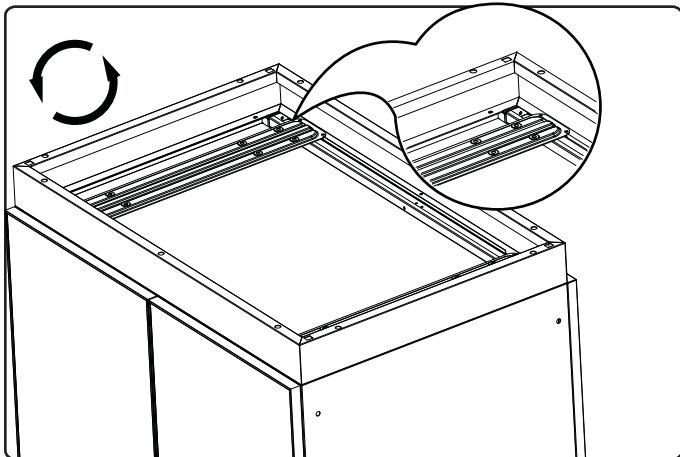


16 X Hex Washer
Bolt

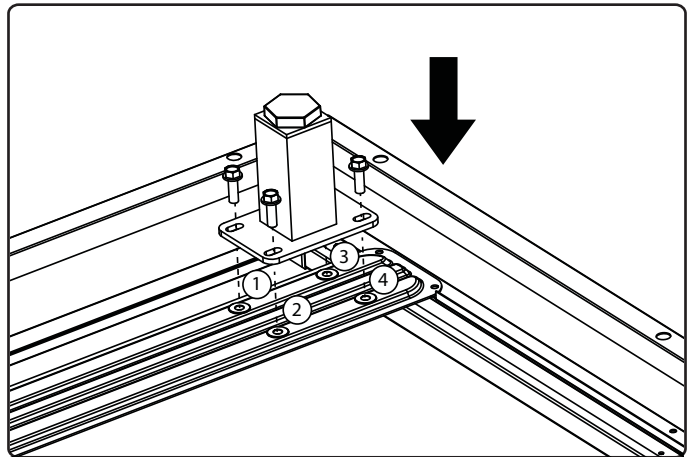
1 Remove Drawers, remove loose items.



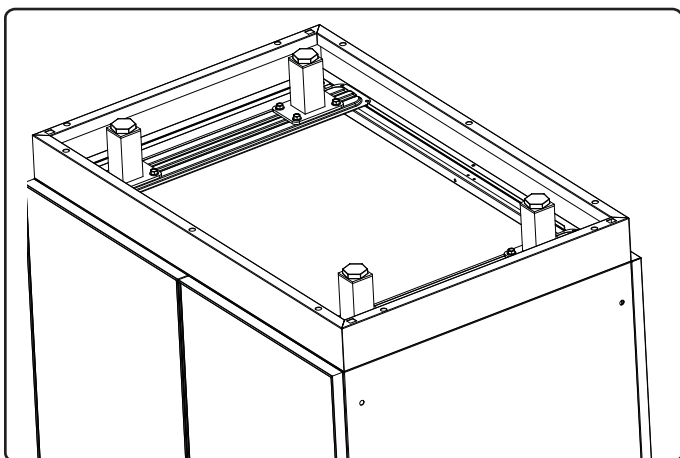
2 Flip cabinet upside down, locate holes on crossbeam.



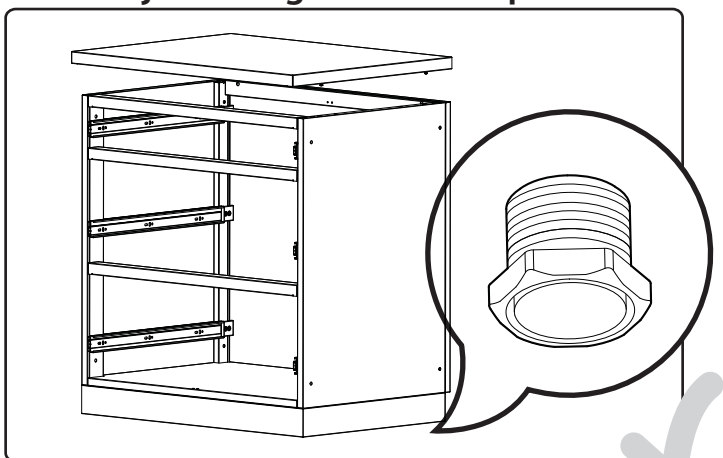
3 Align foot with rivet nuts on crossbeam. Tighten Hex bolts.



4 Repeat steps 1-3 for each corner.

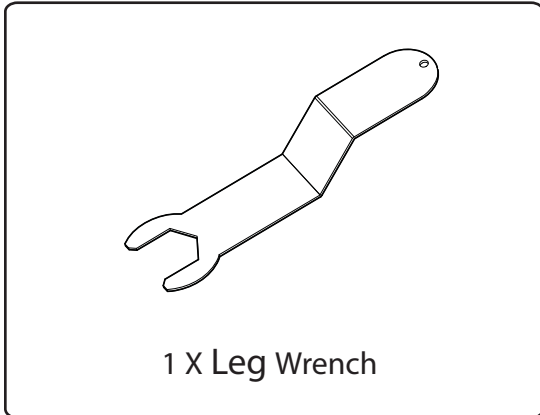


5 Stand cabinet upright. To level and adjust feet go to next step.

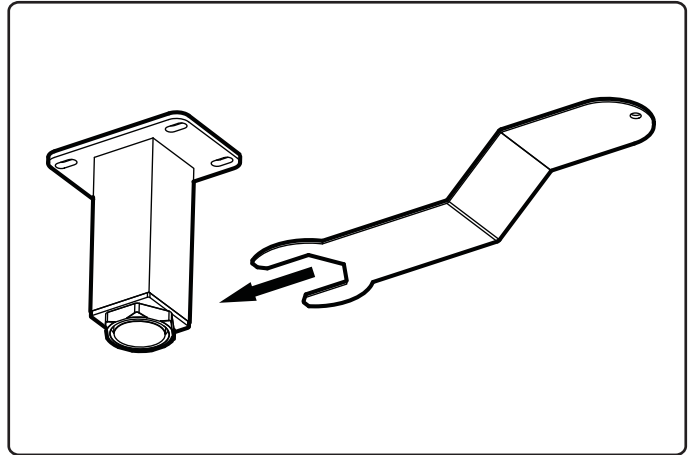


Levelling the Feet

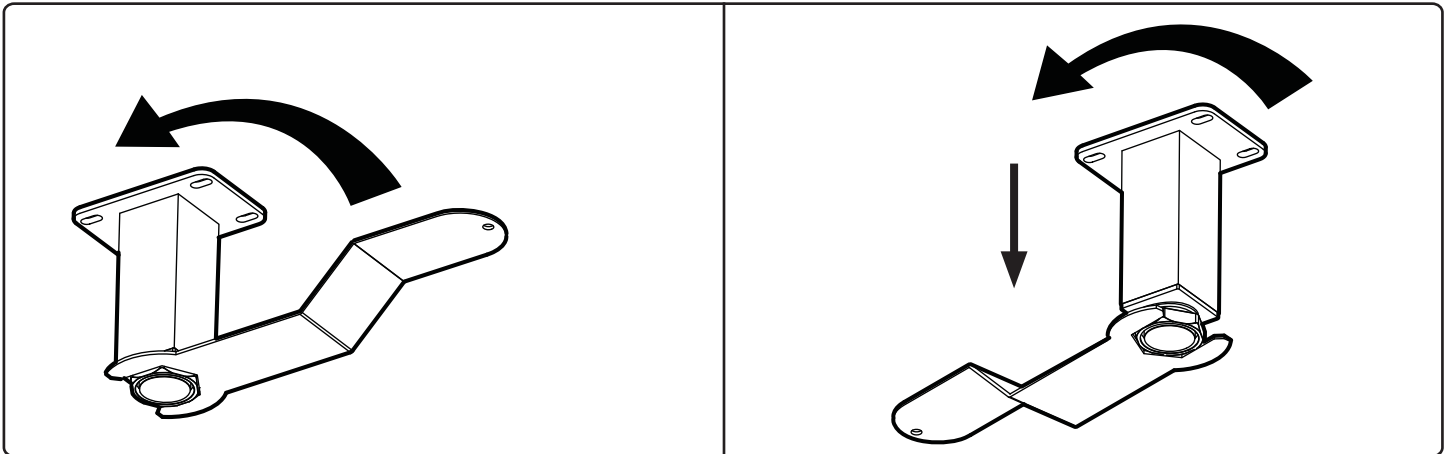
i Parts Needed.



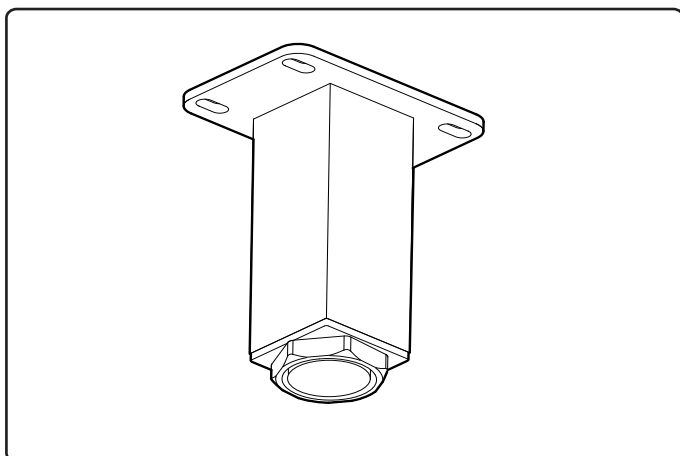
1 Use wrench to level cabinet and adjust height.



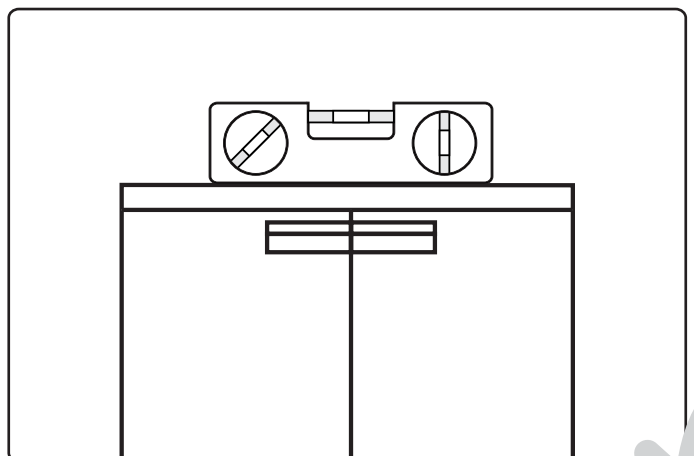
2 Rotate wrench to lower or raise corner of cabinet.



3 Repeat step 1-3 for each corner.

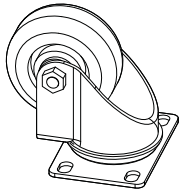


4 Level Cabinet.

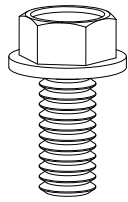


Installing the Casters(optional)

i Parts Needed.

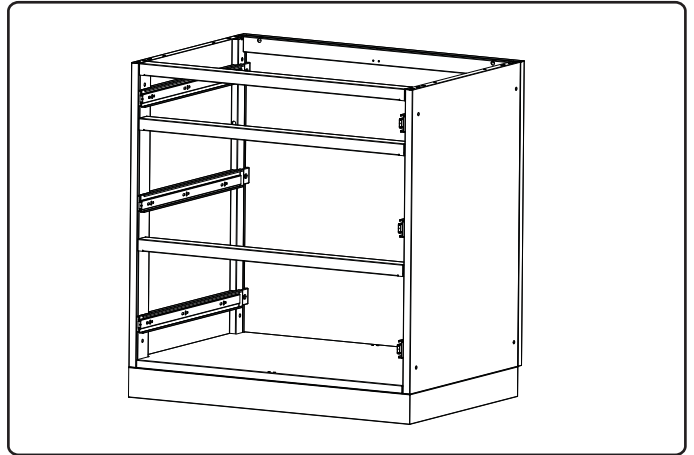


4 X Casters

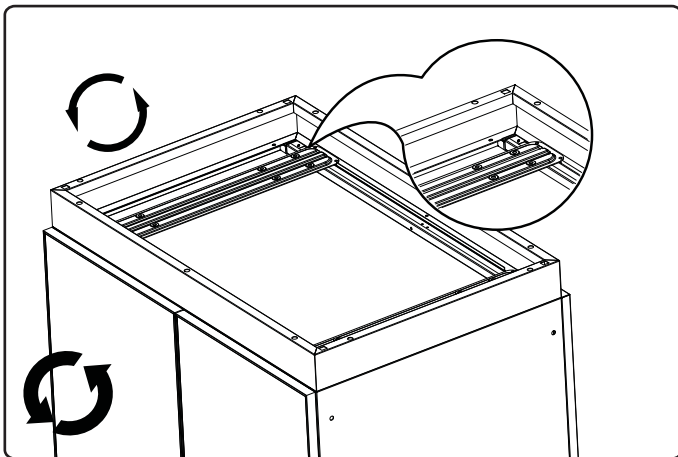


16 X Hex Washer Bolt

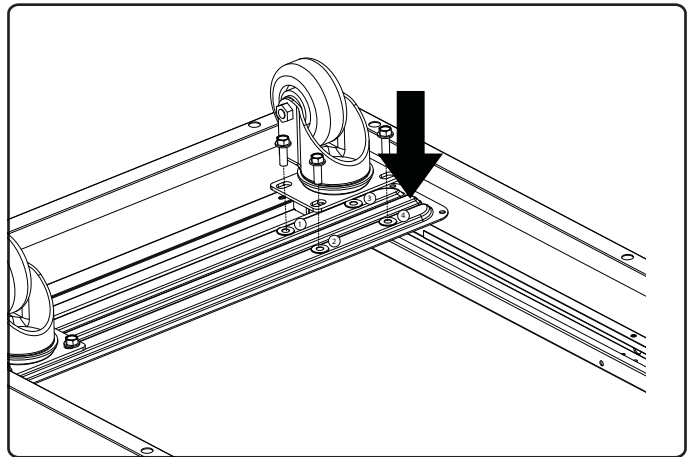
1 Open cabinet, remove drawers or loose items.



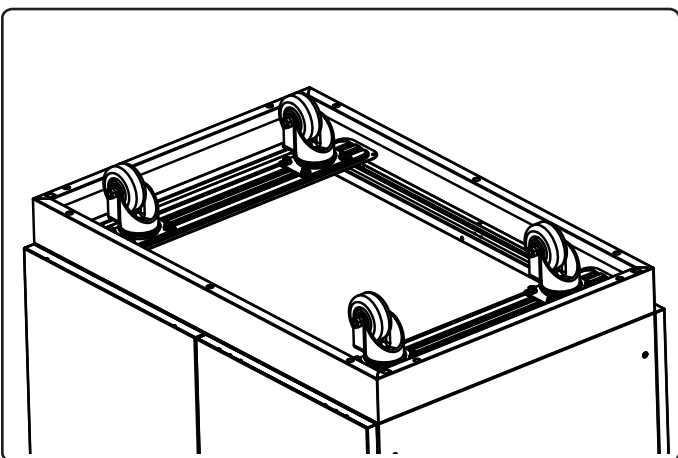
2 Flip cabinet upside down, locate holes on crossbeam.



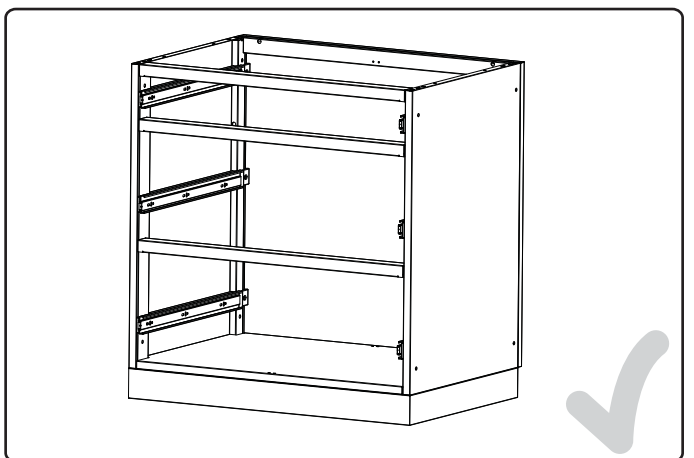
3 Align foot with holes on crossbeam. Screw in Hex bolts with washer and lock washer.



4 Repeat steps 2-3 for each corner.



5 Stand cabinet upright.

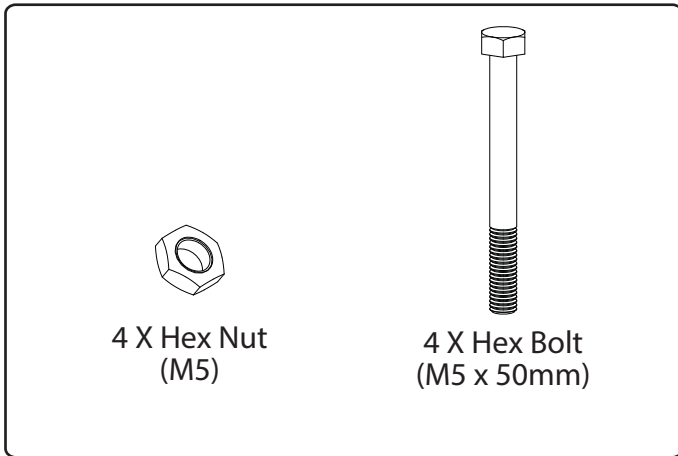


Fastening Cabinets

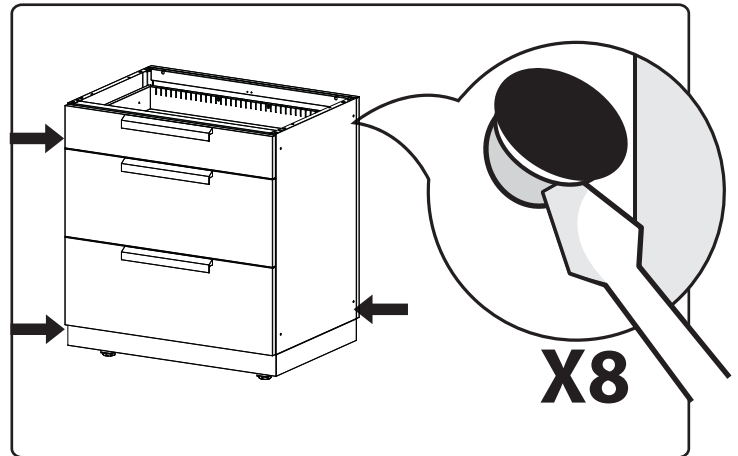
Note:

All drawers must be removed prior to fastening cabinets together.

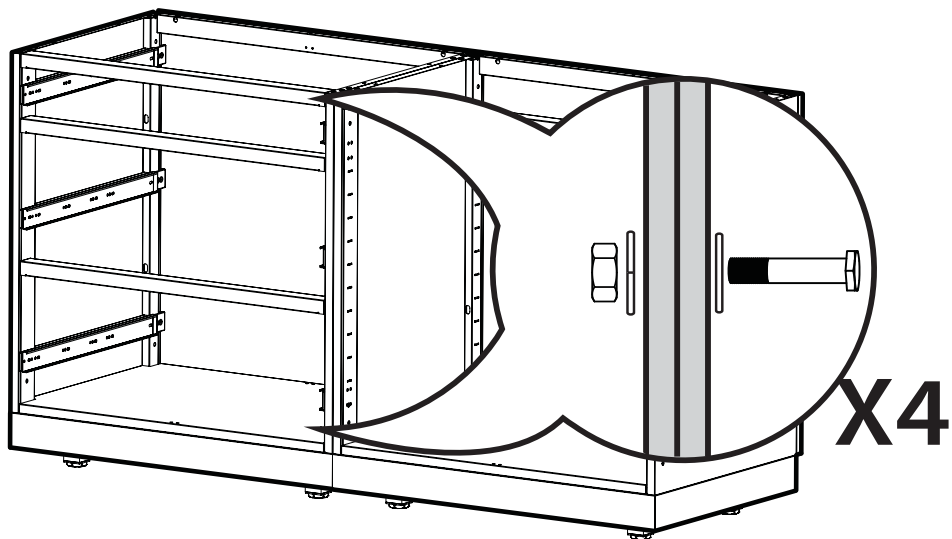
1 Parts Needed.



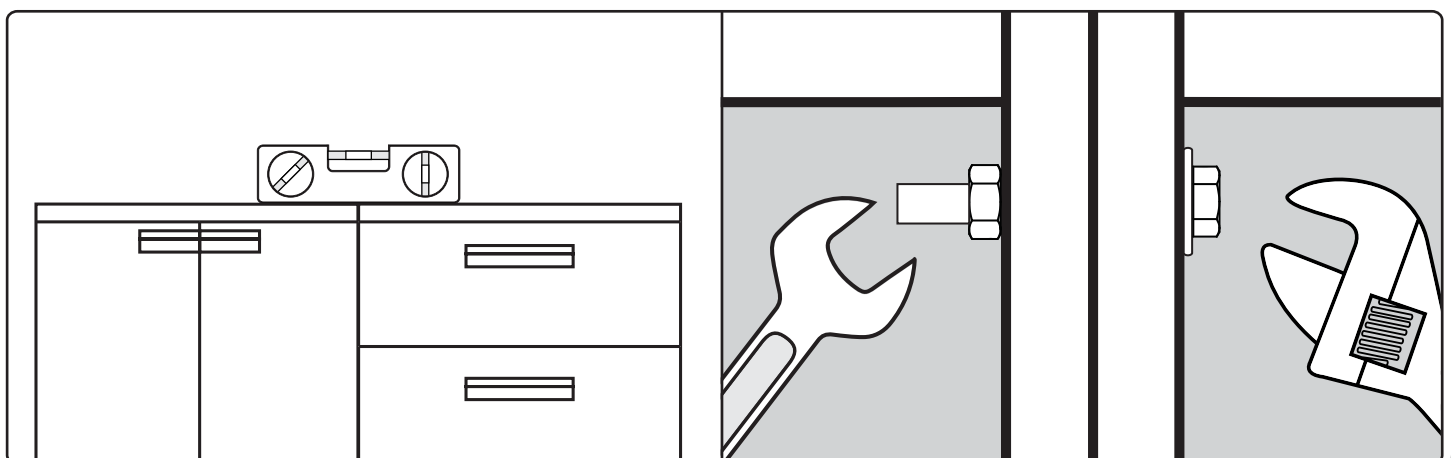
2 Remove plastic caps from cabinets.



3 Align bolts, tighten lightly.

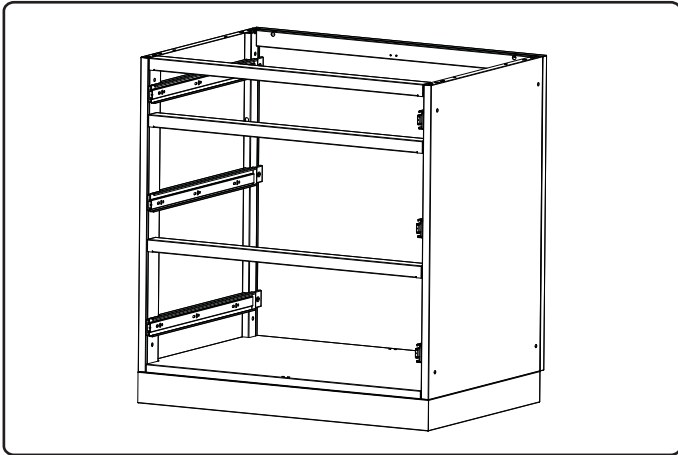


4 Level cabinets and tighten all bolts.

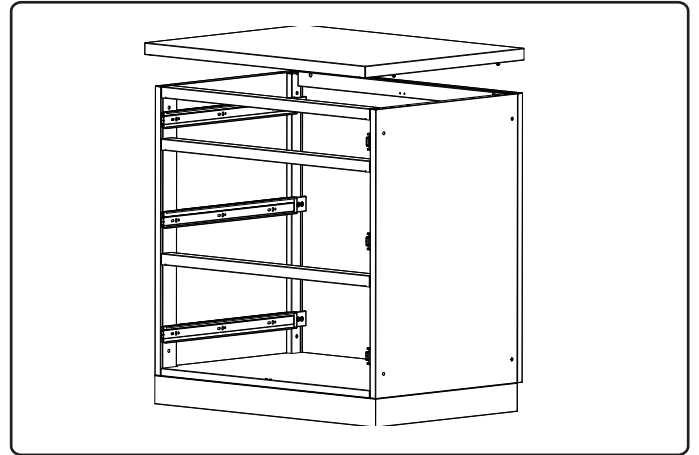


Mounting the Worktop

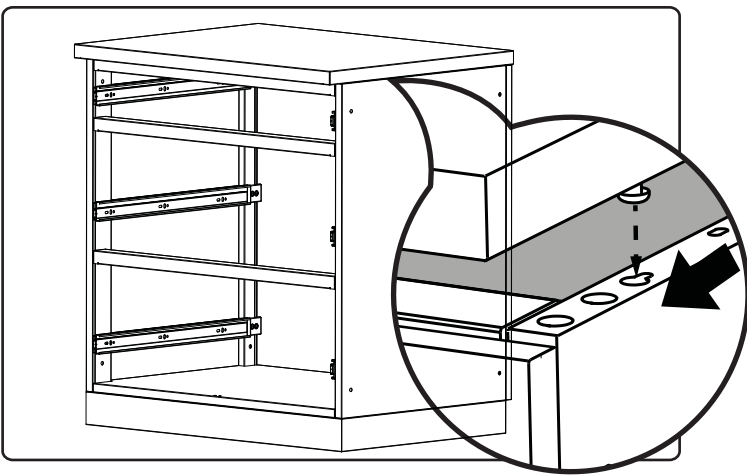
1 Stand cabinet.



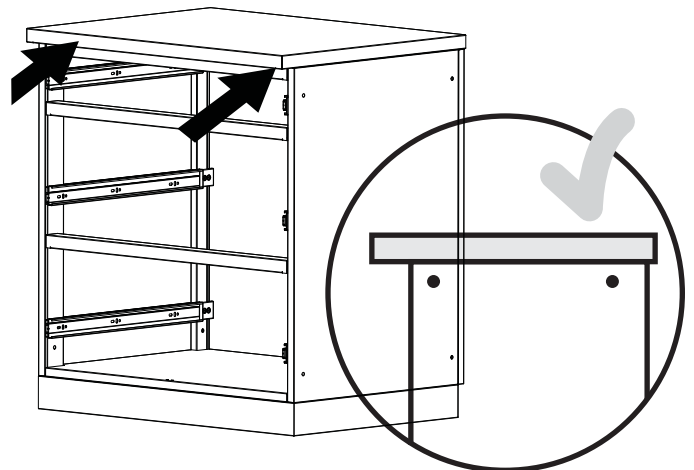
2 Place worktop over cabinets.



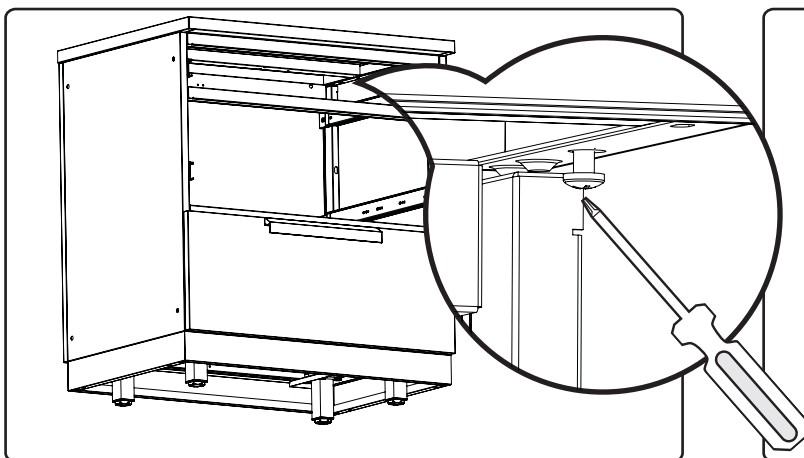
3 Insert the worktop bolt heads into the keyhole shape slots.



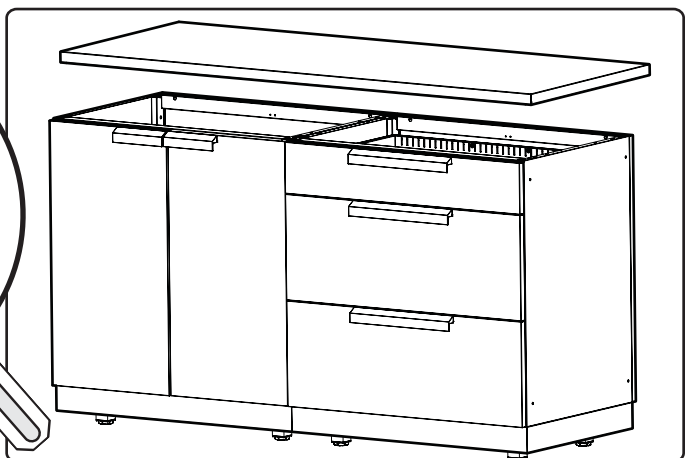
4 Push worktop in to lock.

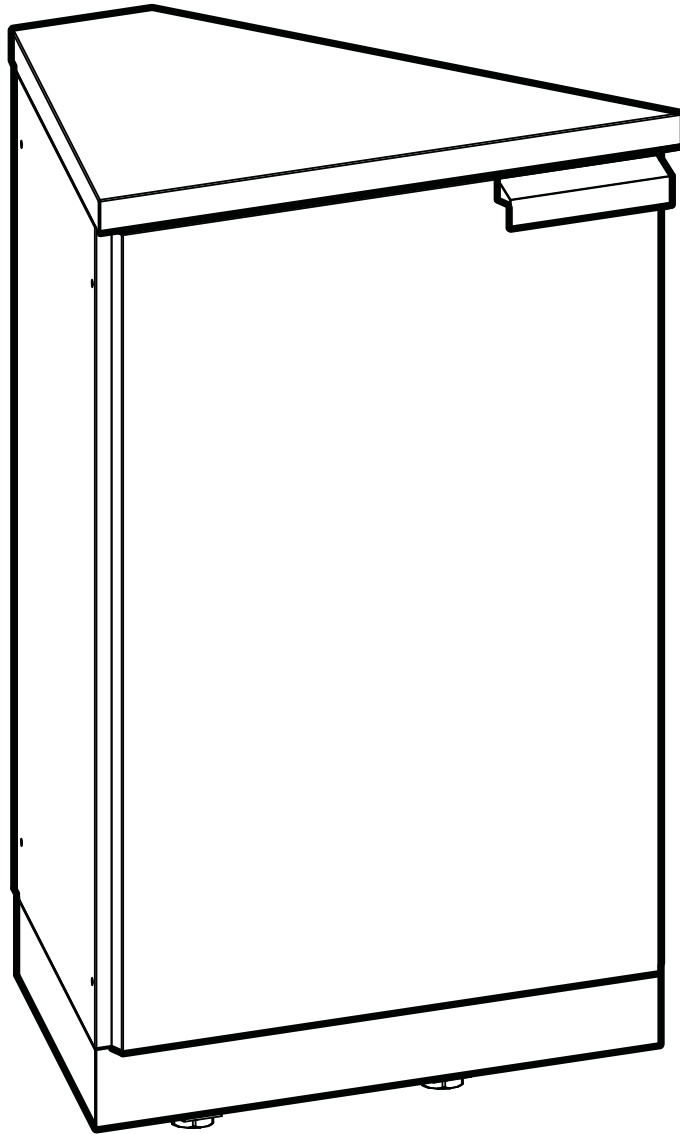


5 Tighten bolts to secure cabinets.



Optional: Repeat steps 2-5 for mounting larger worktops.





*Rear View Shown

OUTDOOR KITCHEN 45° Cabinet SS

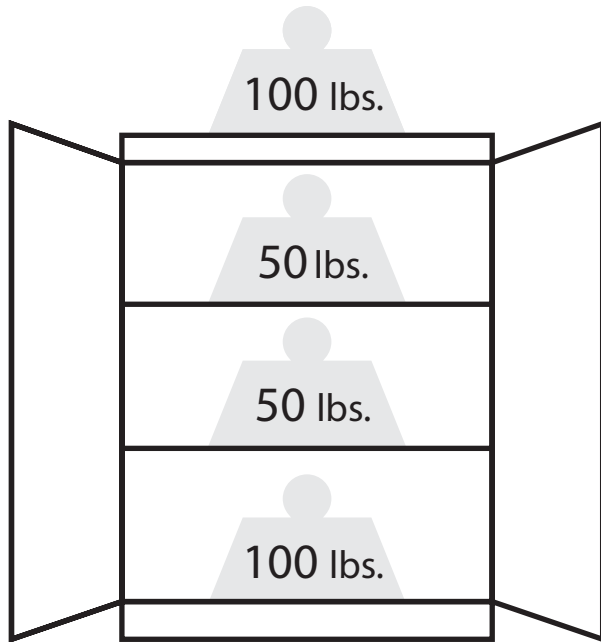


Warning: Excessive weight hazard!

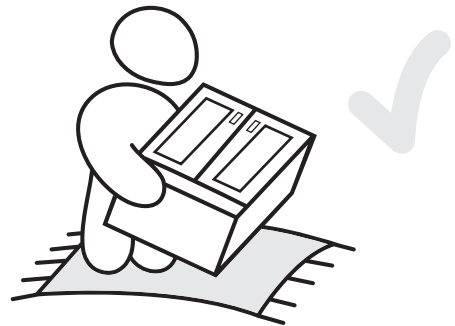
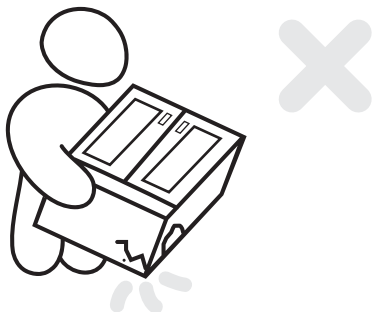
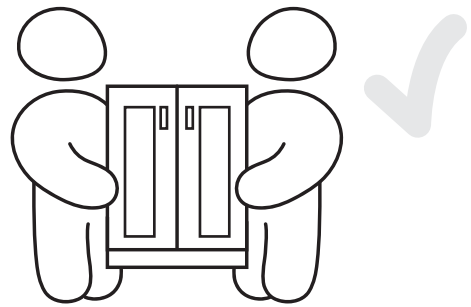
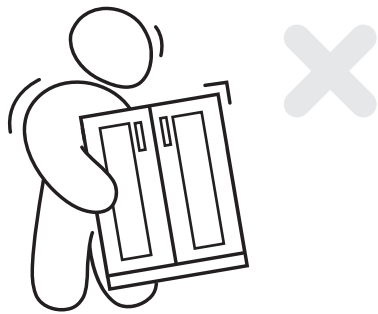
Use two or more people to move, assemble or install cabinets and shelves to avoid back injury.
Do not leave children unattended near cabinets.

For assistance, call 1.877.306.8930; for UK 0800.031.4069; e-mail at info@newageproducts.com

Weight Capacity



45° Cabinet
Max 300 lbs.

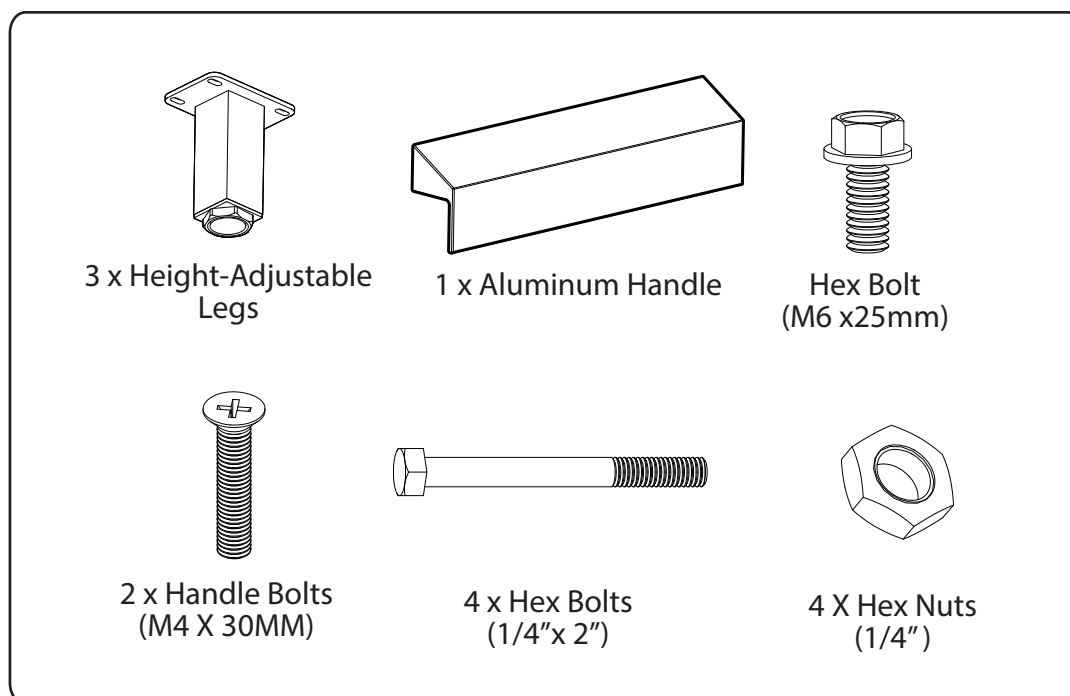


Unpacking

- Begin by placing the package on a protected flat surface.
- Remove all cardboard, foam packaging material and clear plastic bags.
- Dispose / recycle all packaging materials.
- Verify all the contents in the box and gather the required tools. See “Parts” and “Tools Needed” in the list below.

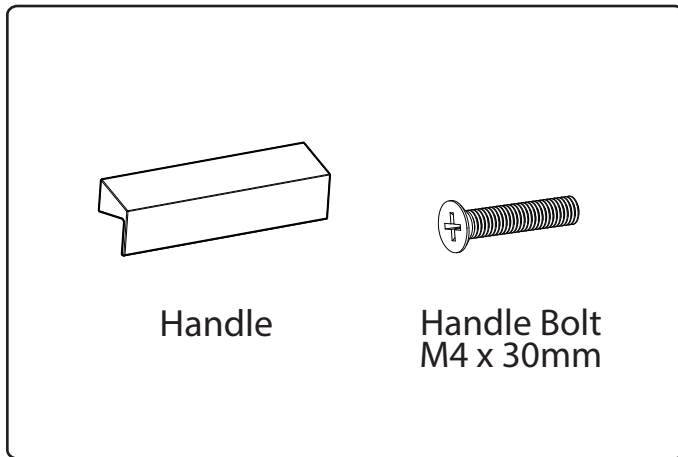
Parts Supplied

	45° Cabinet
Height-Adjustable Aluminum Legs	3
Hex Bolt (M6 x12mm)	12
Hex Nuts (1/4")	4
Hex Bolt (1/4" x 2")	4
Handle Bolts (M4 x 30mm)	2
Aluminum Plated Handles	1
Leg Adjustment Wrench	1

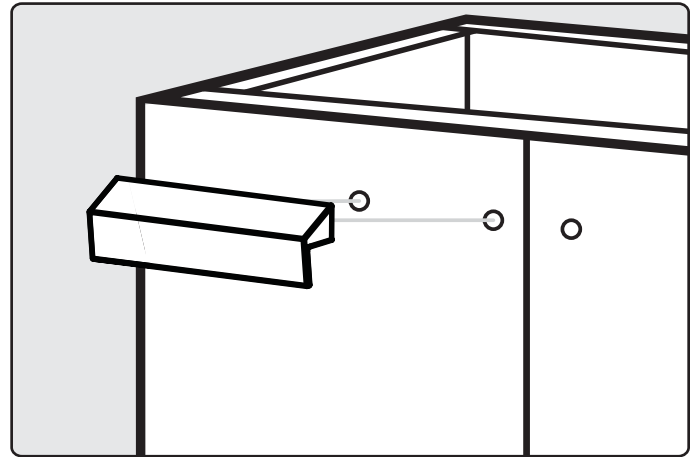


Installing the Handles

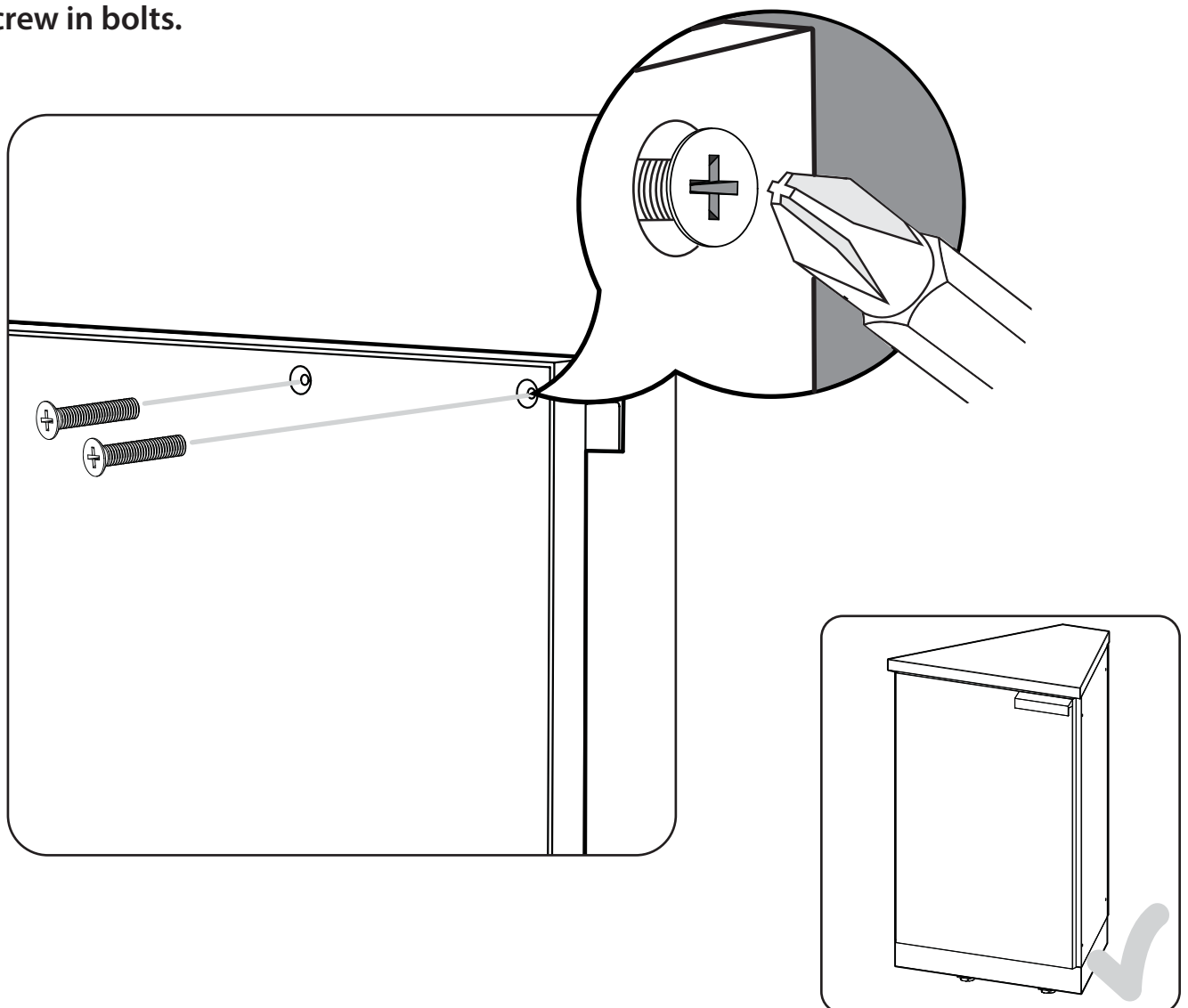
1 Parts Needed.



2 Align handle to holes on doors or drawers.

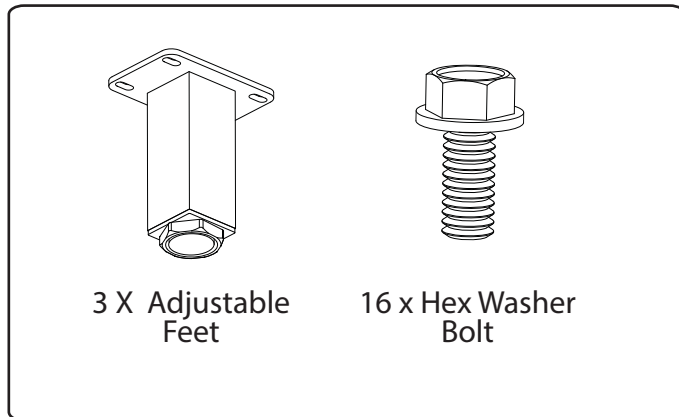


3 Screw in bolts.

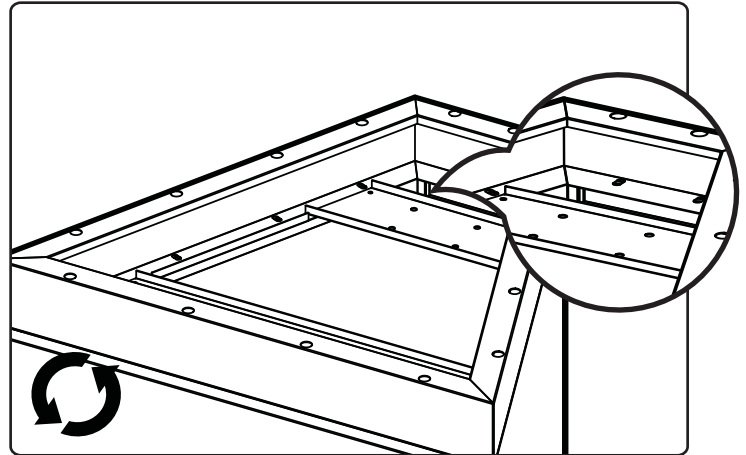


Installing the Feet

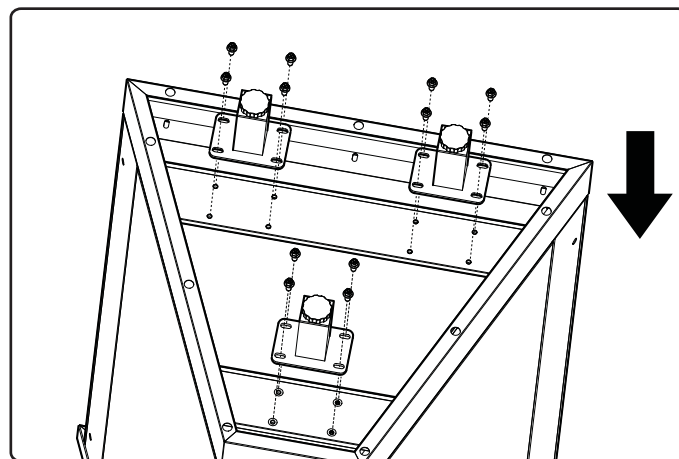
i Parts Needed.



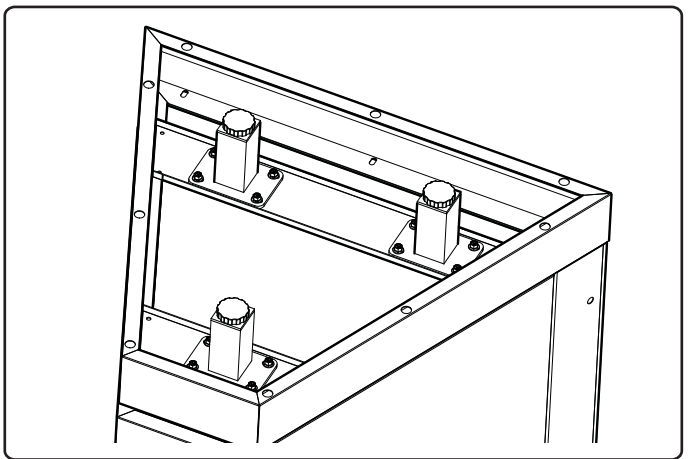
1 Flip cabinet upside down, locate holes on crossbeam.



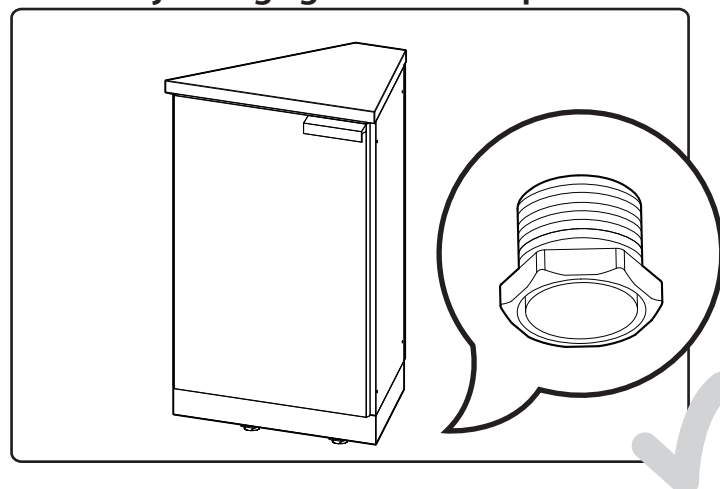
2 Align leg with holes on crossbeam. Fasten in Hex bolts with washer and lock washer.



3 Repeat step 2 for each leg.

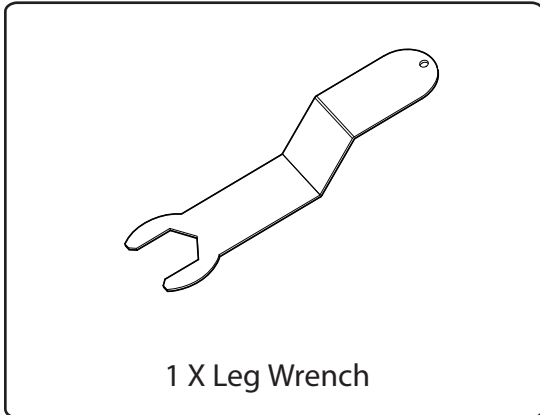


4 Stand cabinet upright. To level and adjust legs go to next step.

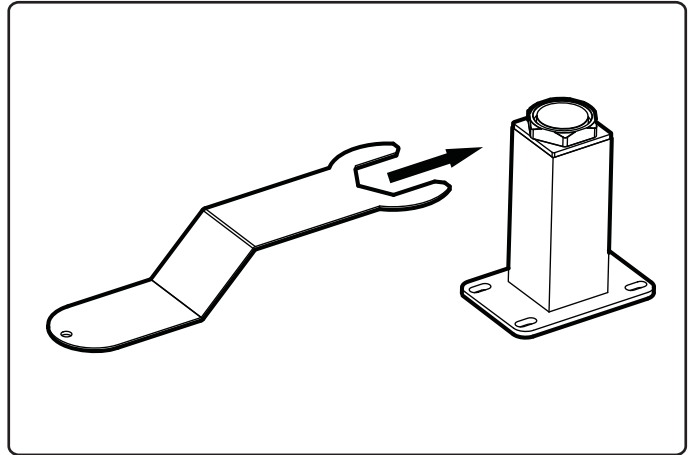


Levelling the Legs

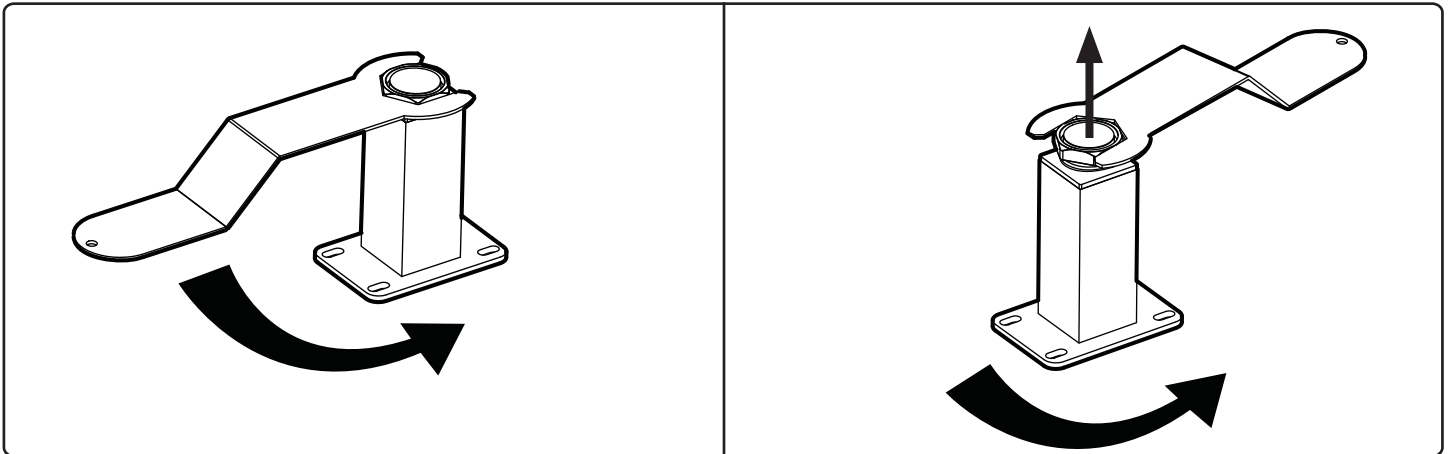
i Parts Needed.



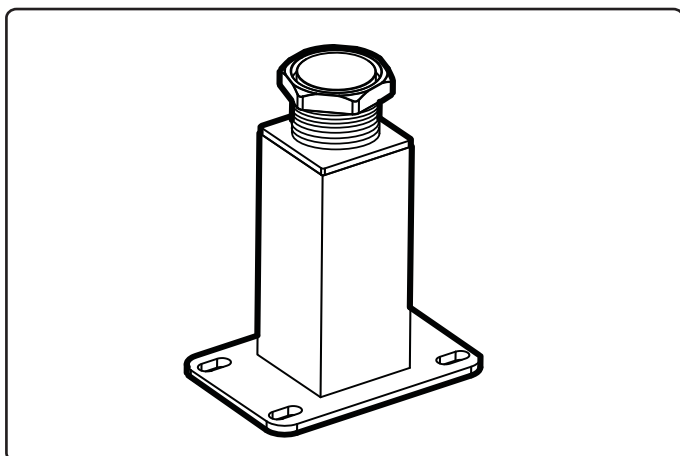
1 Use wrench to level cabinet and adjust height.



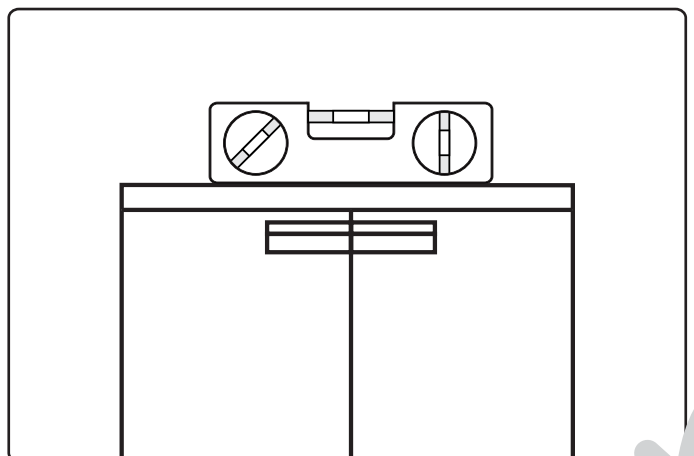
2 Rotate wrench to lower or raise corners of the cabinet.



3 Repeat step 1-3 for each corner.

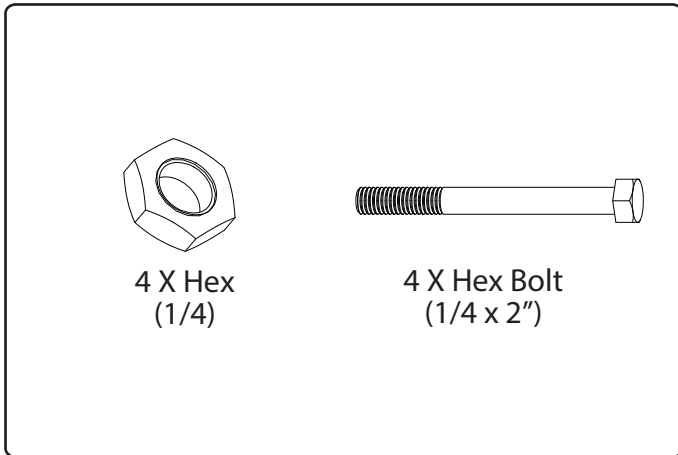


4 Level Cabinet.

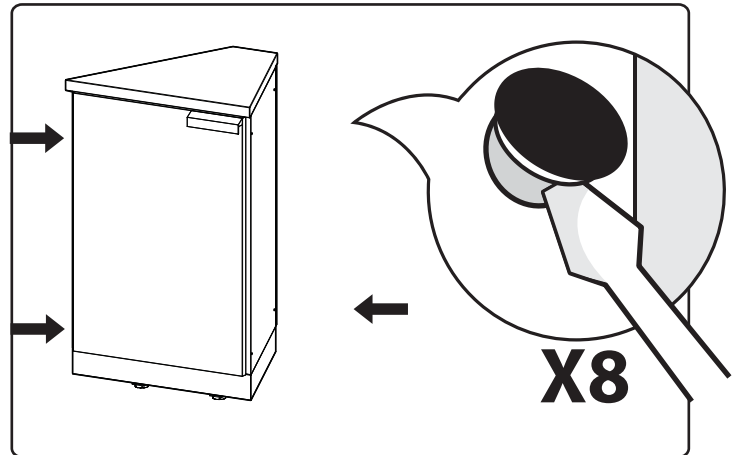


Fastening Cabinets

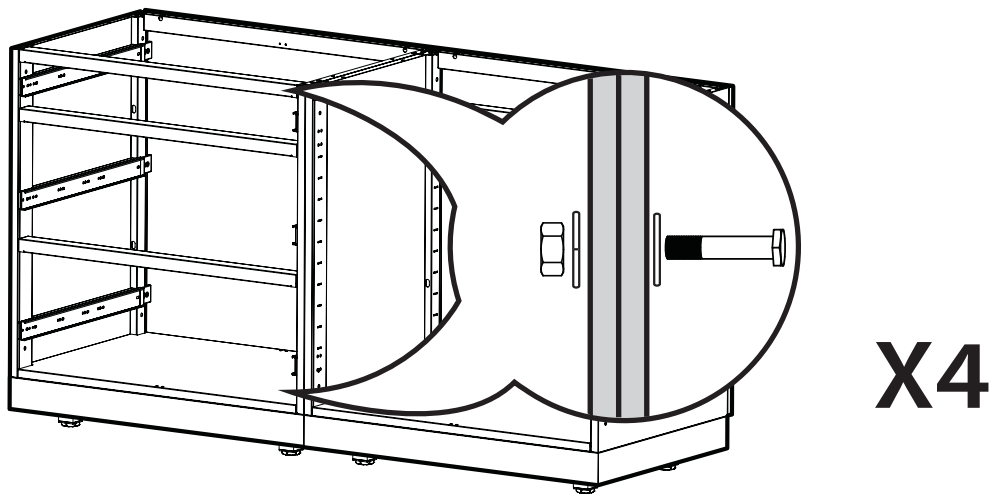
1 Parts Needed.



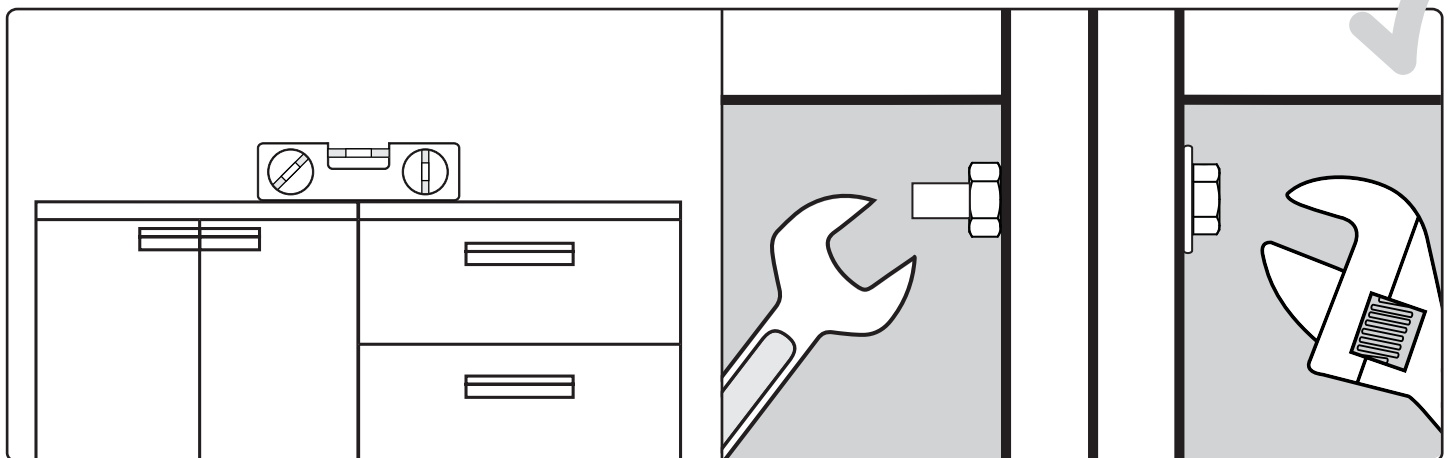
2 Remove plastic caps from cabinet.



3 Align bolts, tighten lightly.



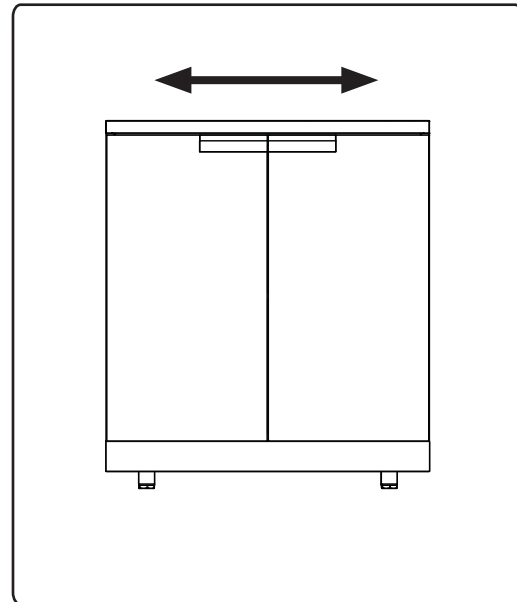
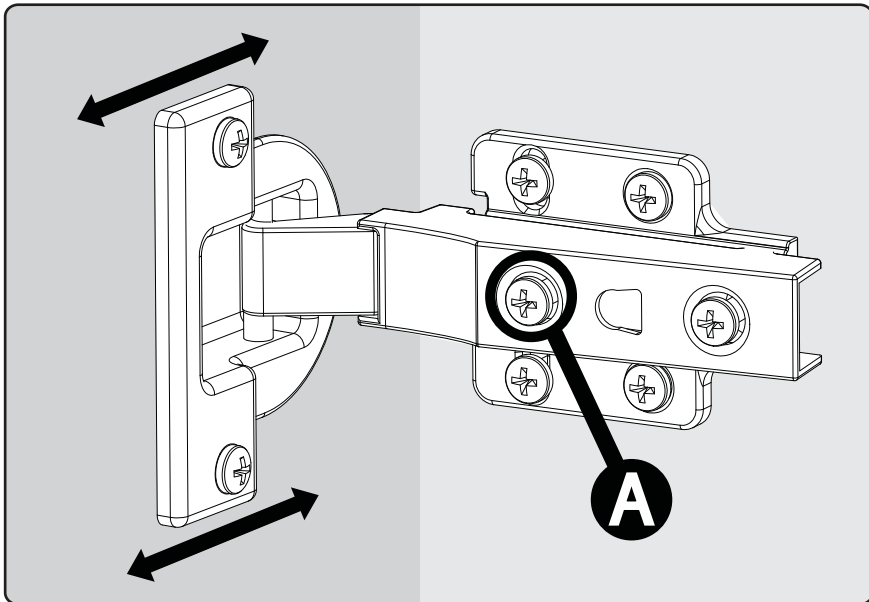
4 Level cabinets and tighten all bolts.



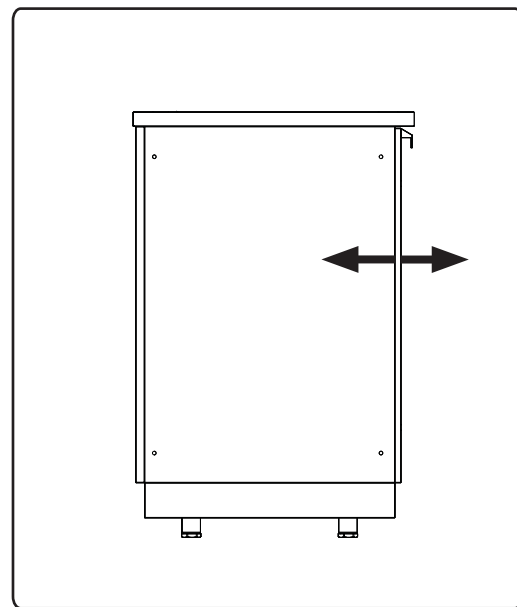
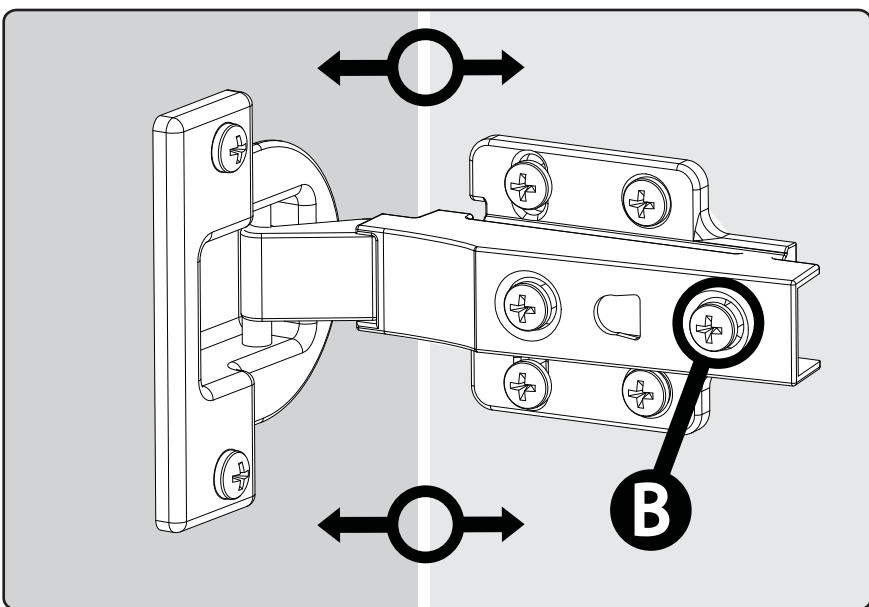
Adjusting The Door Hinges

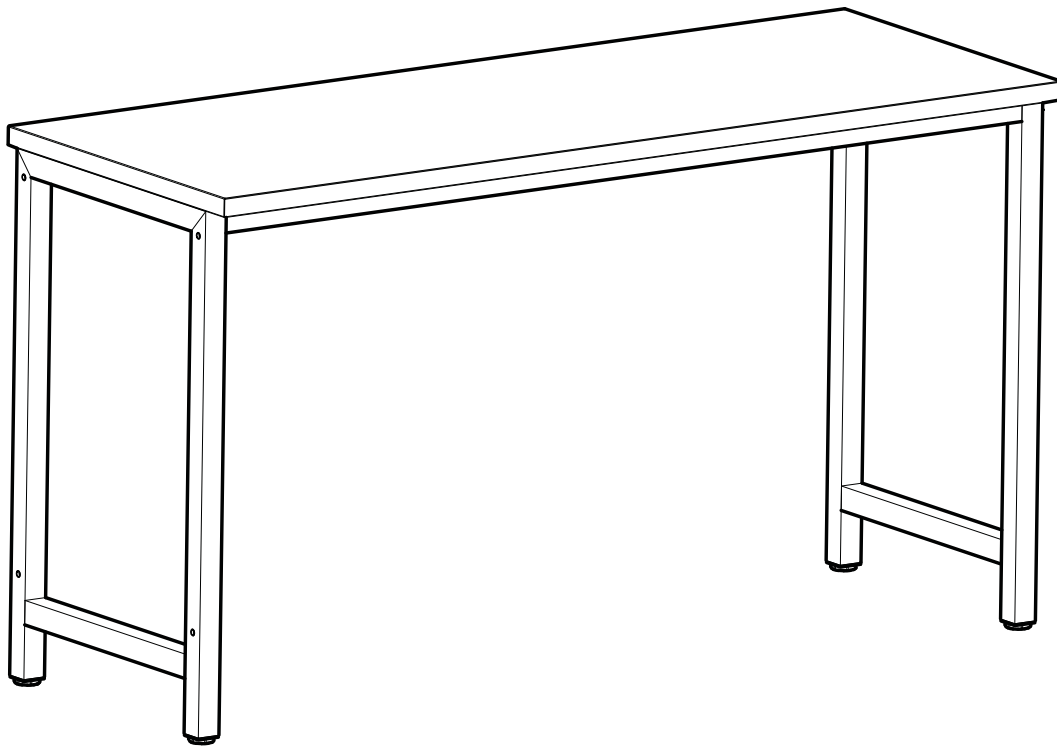
Using a Philips screwdriver, the doors can be adjusted:
Left, right, forwards and backwards.

- 1** To adjust the doors left or right, turn the screw (A) clockwise or counterclockwise.



- 2** To adjust the gap between the doors and frame, turn the screw (B) clockwise or counterclockwise.





OUTDOOR KITCHEN 64" Prep Table SS

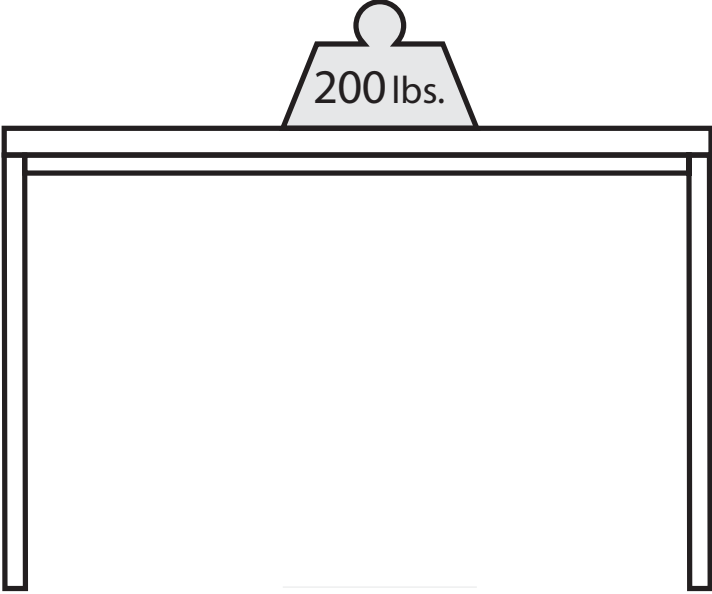


Warning: Excessive weight hazard!

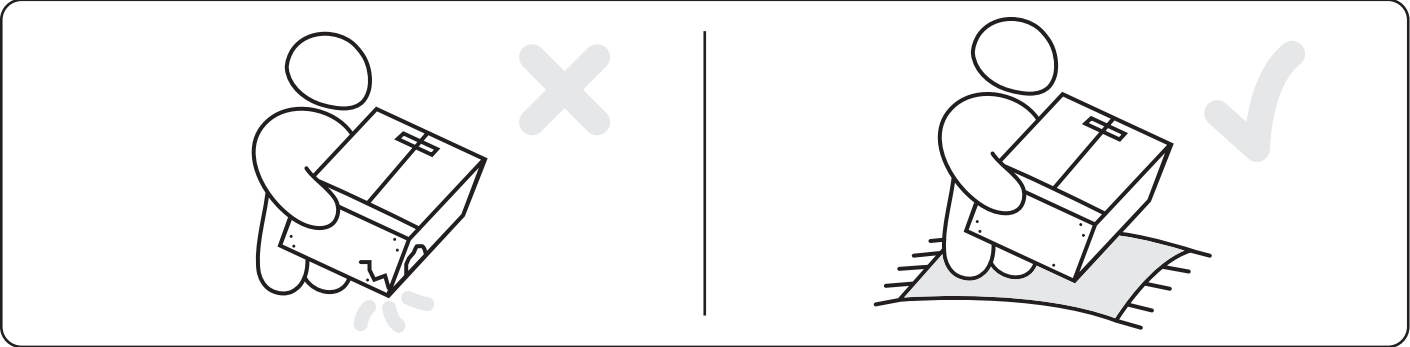
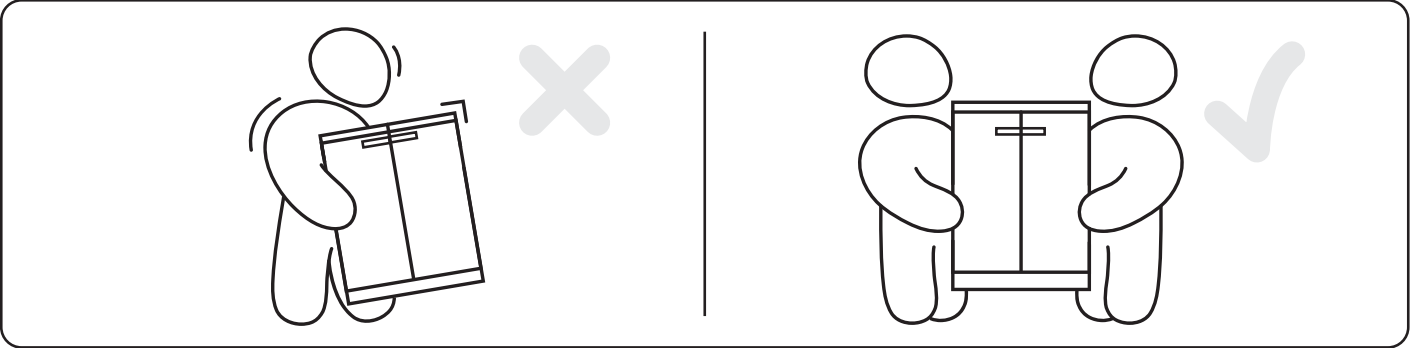
Use two or more people to move, assemble or install cabinets and shelves to avoid back injury.
Do not leave children unattended near cabinets.

For assistance, call 1.877.306.8930; for UK 0800.031.4069; e-mail at info@newageproducts.com

Weight Capacity



64" - PREP TABLE
Max 200 lbs.



Unpacking

- Begin by placing the package on a protected flat surface.
- Remove all cardboard, foam packaging material and clear plastic bags.
- Dispose / recycle all packaging materials.
- Verify all the contents in the box and gather the required tools. See "Parts" and "Tools Needed" in the list below.

Parts Supplied

	Prep Table
Leg End Frames	2
Pan Head Bolt (M4 x 50mm)	4
Hex Bolt (M6 x 30mm)	4
64" Worktop Asm	1
Leg frame Rails	2
Ganging Brackets	4
Washers (M4)	8
Pan Head Bolt (M4 x 13mm)	4
Hex Bolt (M6 x 13mm)	8

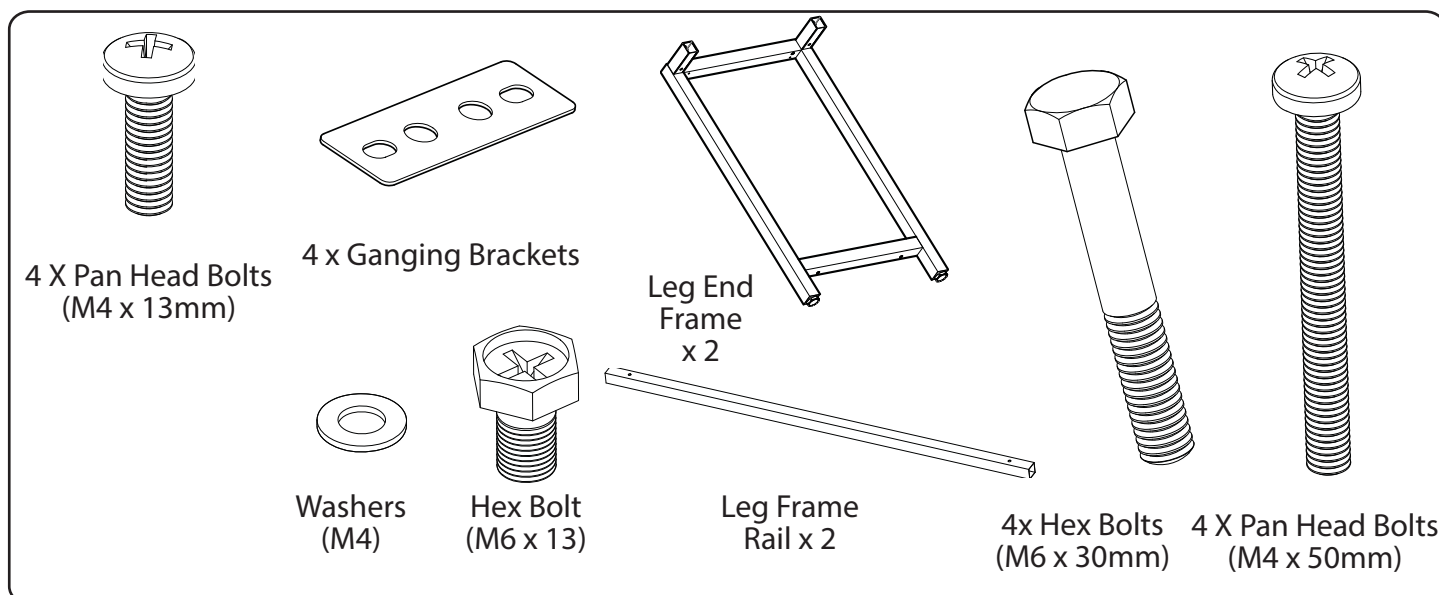
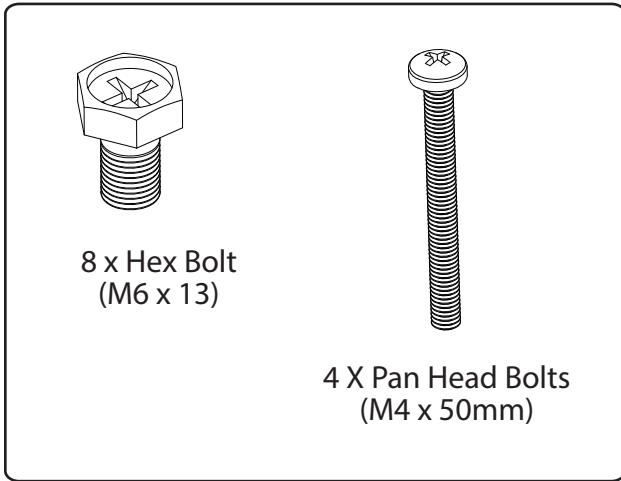
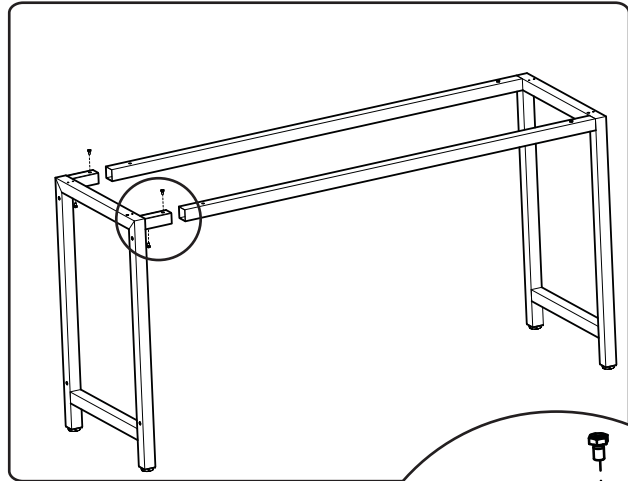


Table Assembly

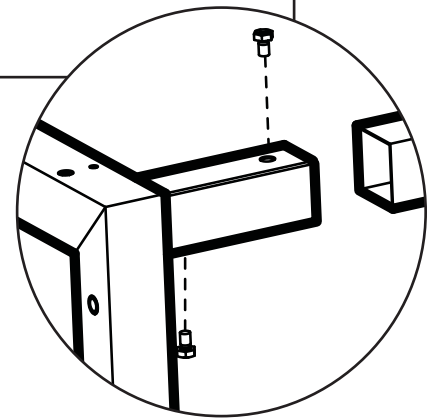
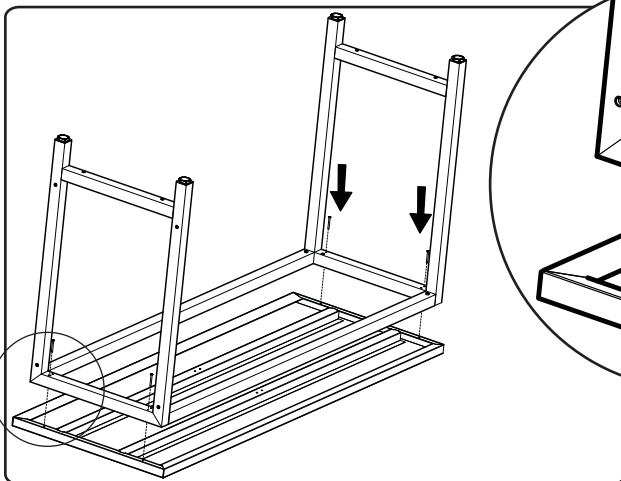
i Parts Needed.



1 Insert Leg Frame into cross rails. Using M6 bolts to fasten the leg frame to cross rails.



2 Use 4 x M4x 40mm Pan Head Bolts to assemble Worktop to Leg Frame



3 Stand and level Table

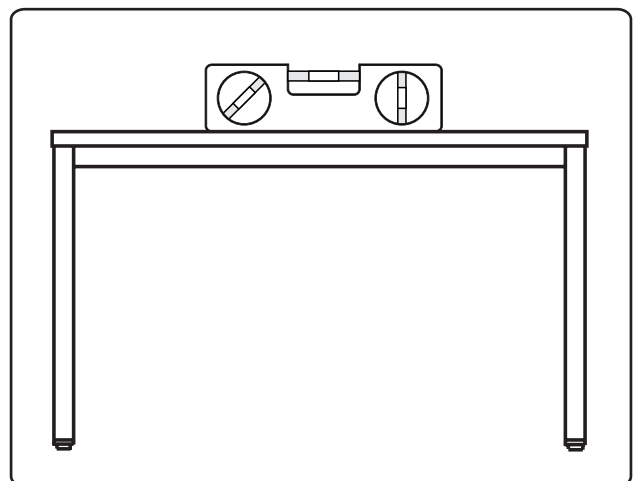
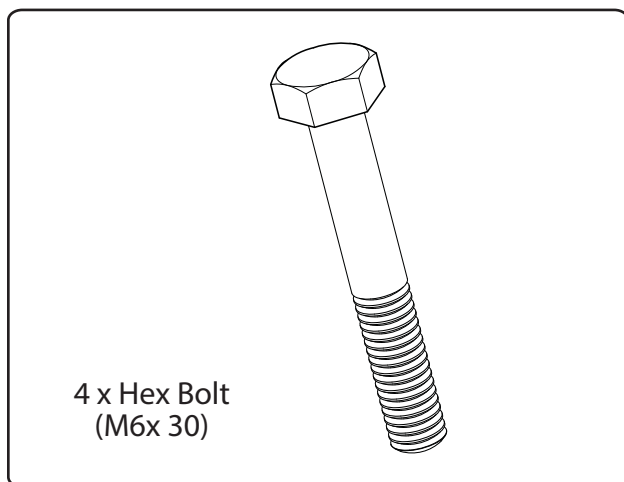
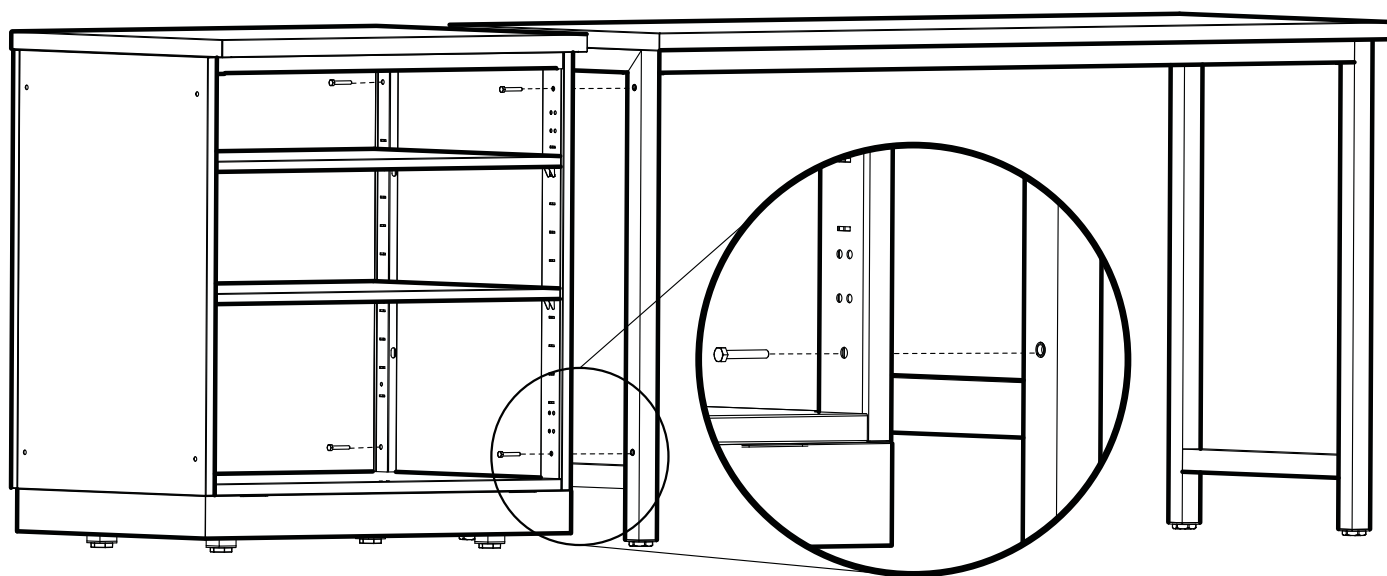


Table to Cabinet Ganging

i Parts Needed.



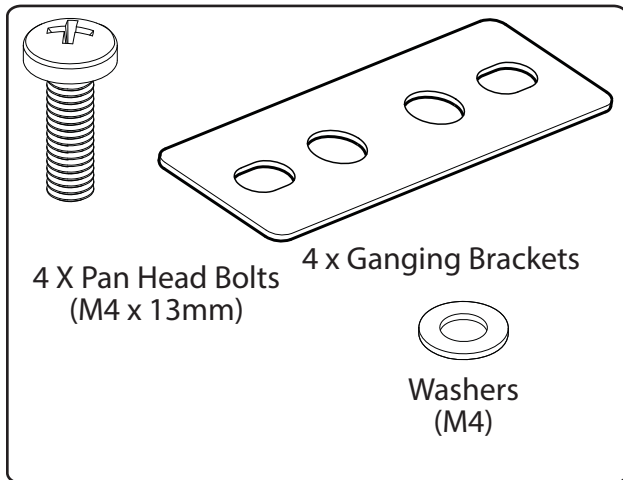
- 1** Align inserts in Table Leg Frame with with 4 Holes in side of Cabinet. Fasten 4 x 4mm x 40 mm Hex Bolts as shown.



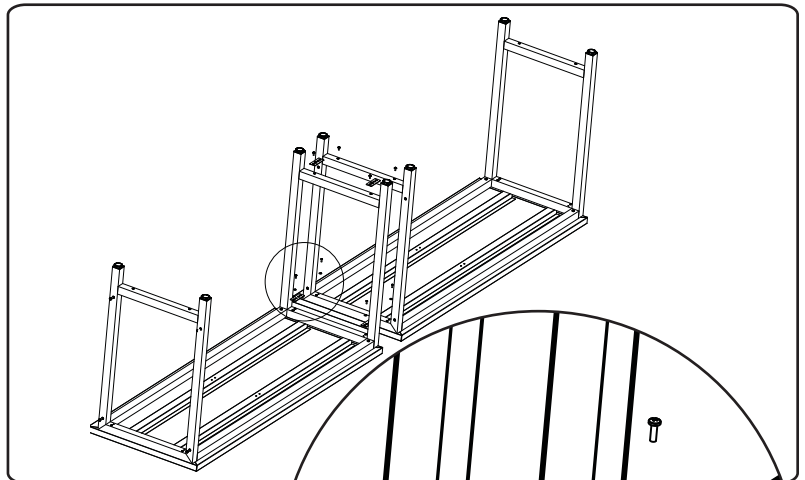
Note: Table has rivet nuts in legs to thread into.
Insert bolt from cabinet side.

Table to Table Ganging

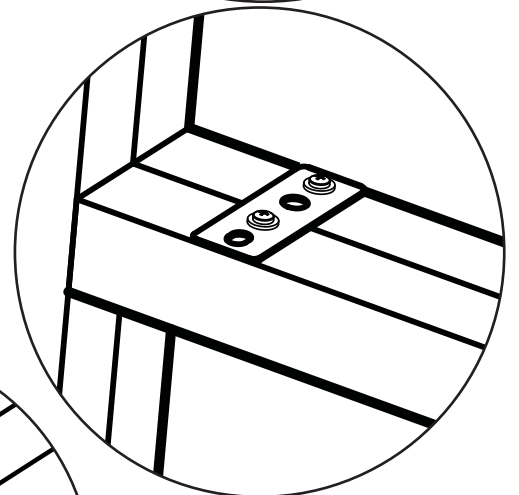
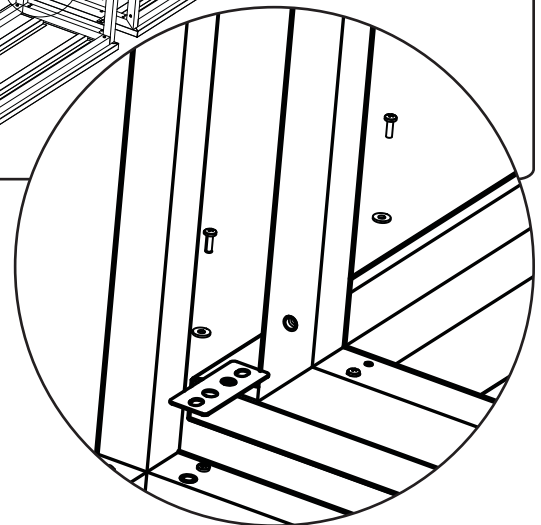
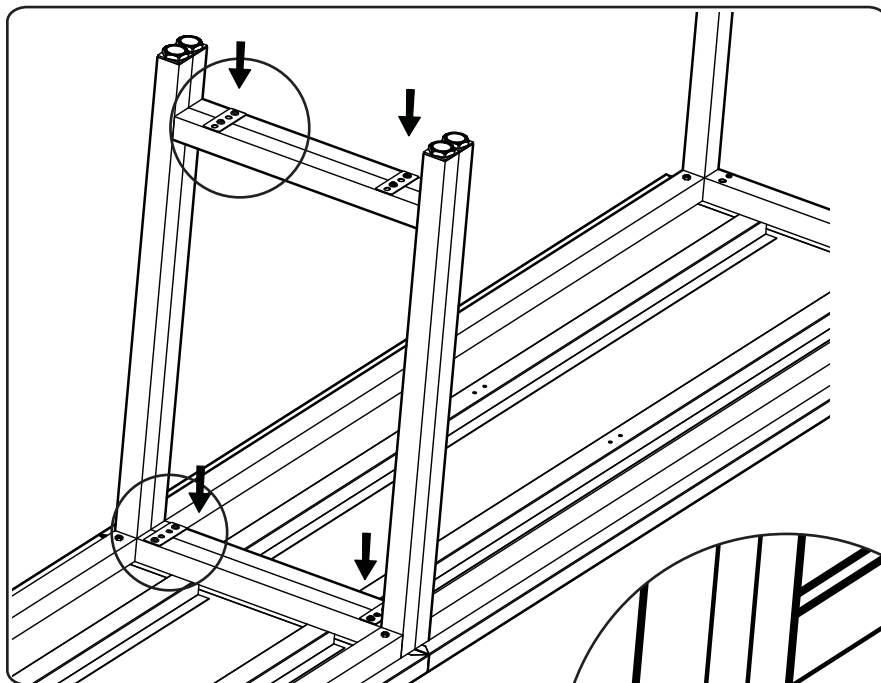
i Parts Needed.



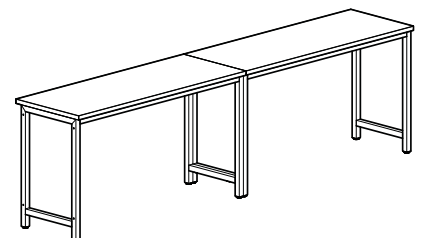
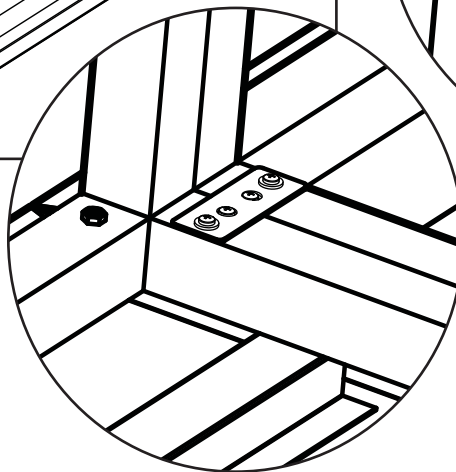
1 On a Flat Protected Surface flip over two tables and align them right to left sides as shown.

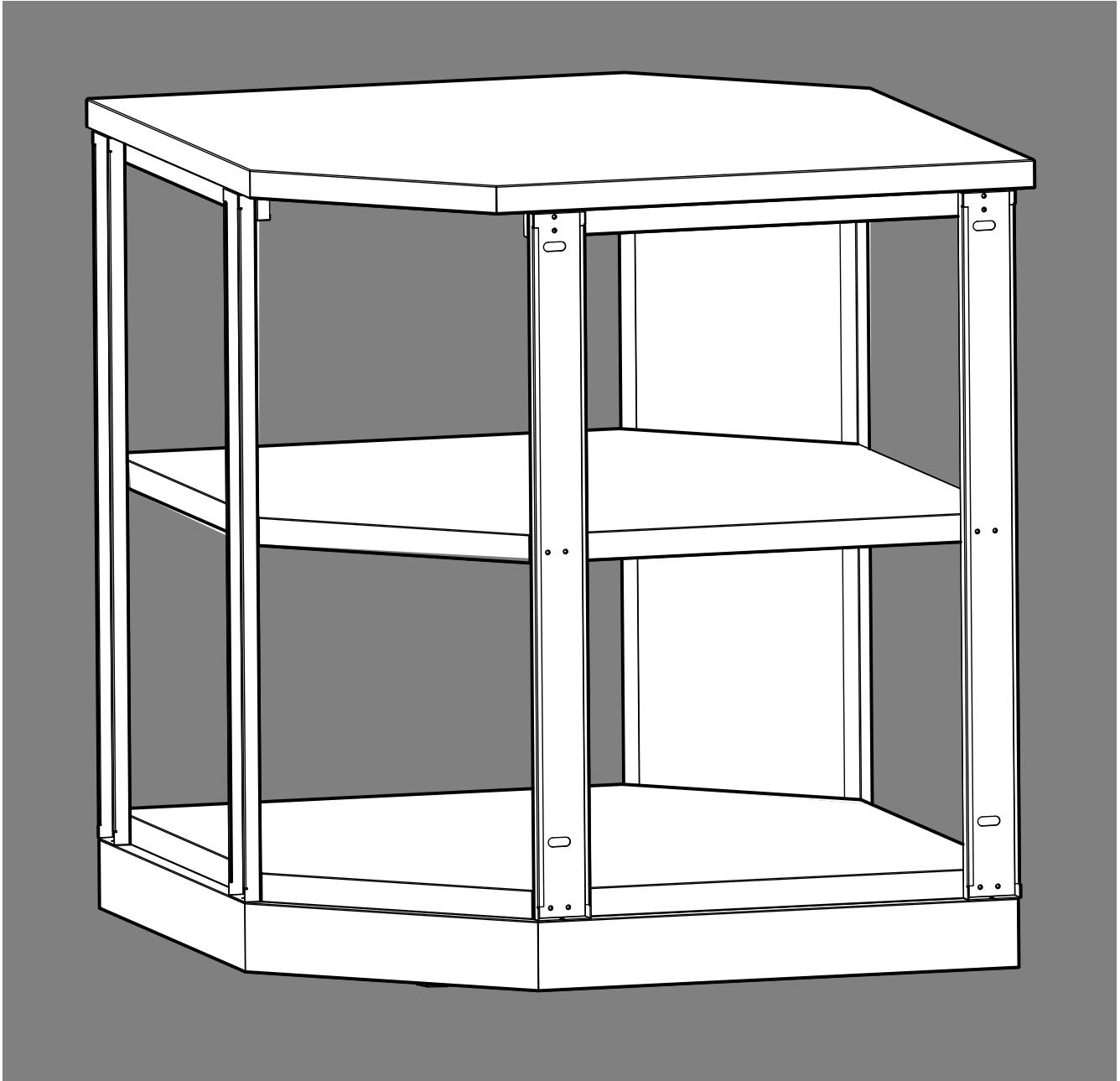


2 Using 4 Ganging Brackets and 2 x M4 Pan Head bolts per each bracket. Attach two tables together.



3 Position Brackets over existing bolt heads using clearance holes.





OUTDOOR KITCHEN 90° Corner Shelf SS



Warning: Excessive weight hazard!

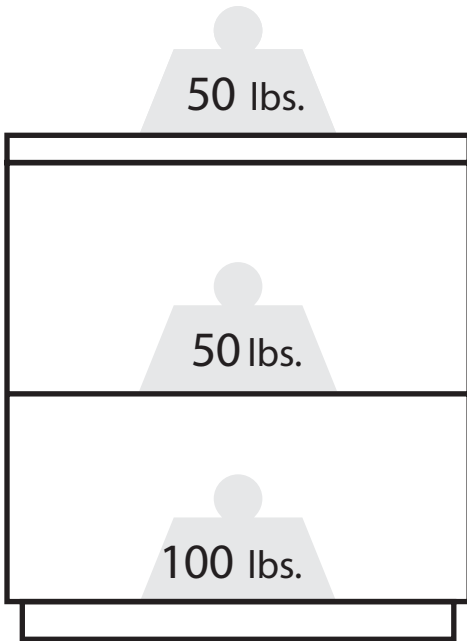
Use two or more people to move, assemble or install shelves to avoid back injury.

Do not leave children unattended near cabinets.

For assistance, call 1.877.306.8930; for UK 0800.031.4069; e-mail at info@newageproducts.com

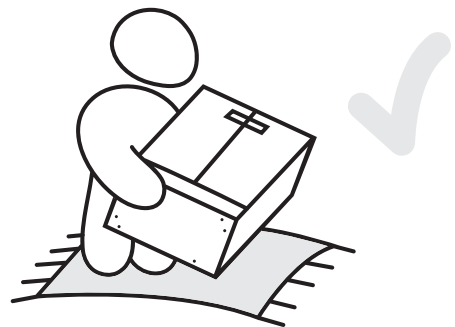
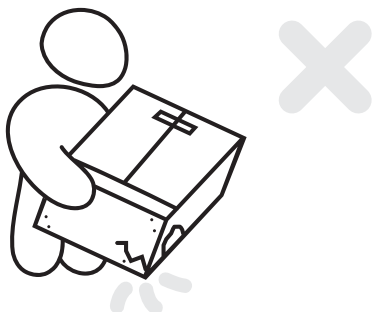
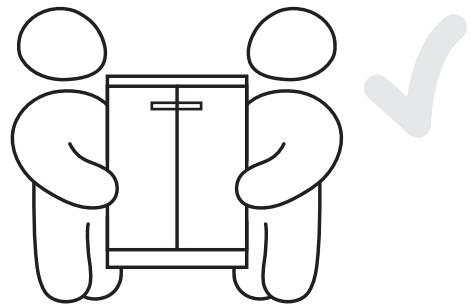
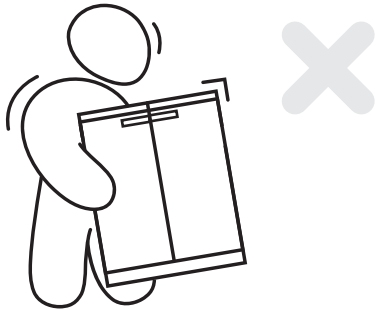
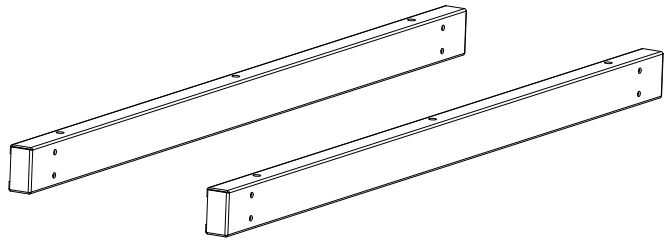
65006-INSTL-01-Rev.01

Weight Capacity



90° Corner Shelf
Max 200 lbs.

Granite Installation Rails included

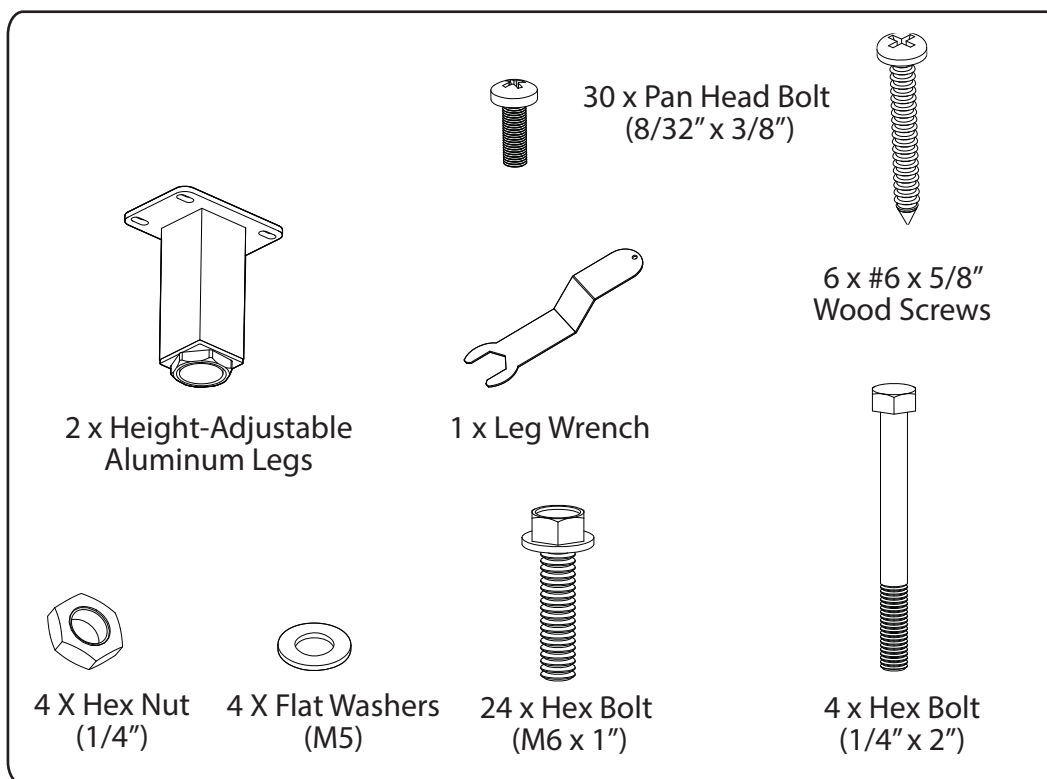


Unpacking

- Begin by placing the package on a protected flat surface.
- Remove all cardboard, foam packaging material and clear plastic bags.
- Dispose / recycle all packaging materials.
- Verify all the contents in the box and gather the required tools. See "Parts" and "Tools Needed" in the list below.

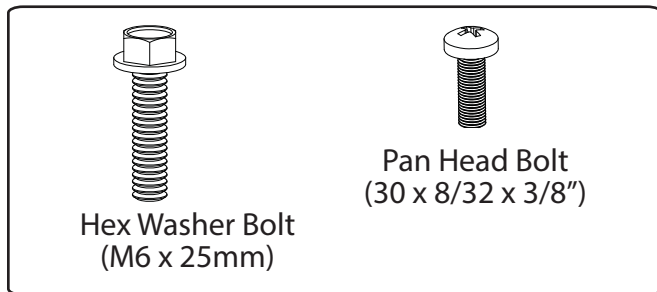
Parts Supplied

	Corner Shelf
Height-Adjustable Aluminum Legs	2
Hex Bolt (M6 x 25mm)	8
Hex Nuts (M5)	4
Hex Bolt (M5 x 50mm)	4
Leg Adjustment Wrench	1
Pan Head Bolt (8/32 x 3/8")	20
Flat Washers (M5)	4
<i>Optional Granite Top Installation Hardware</i>	
Pan Head Screw (#6-5/8" SS Wood Screw)	8

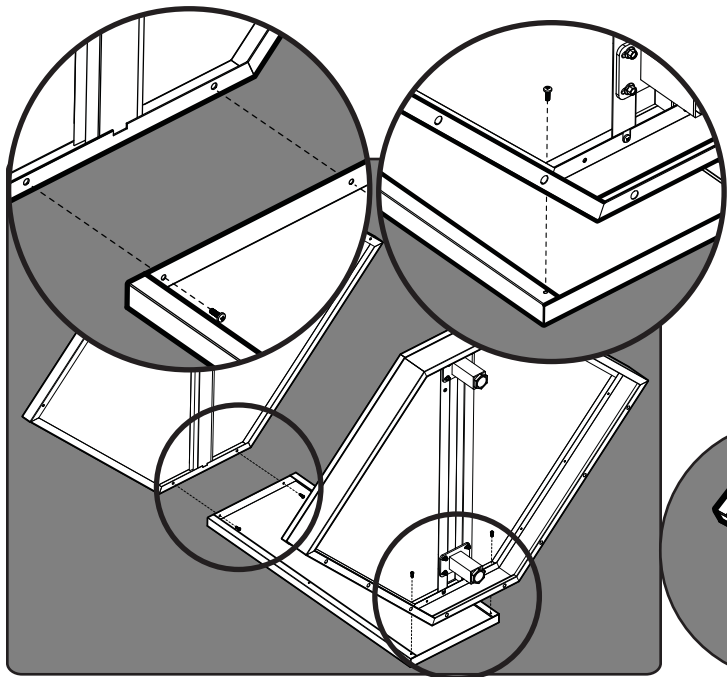


Frame Assembly

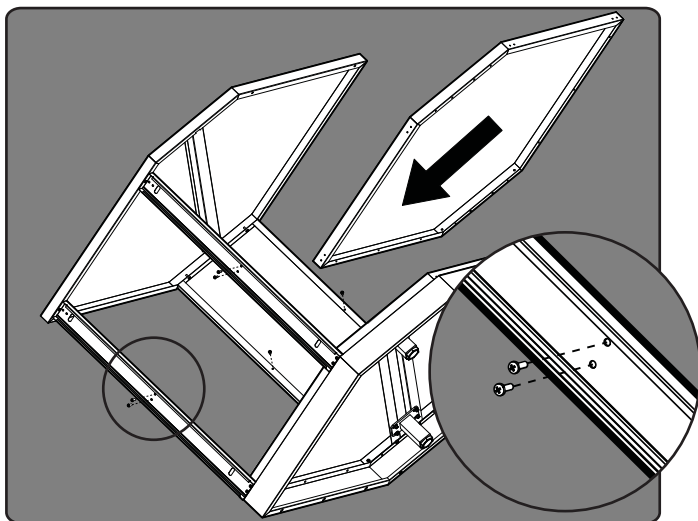
i Parts Needed.



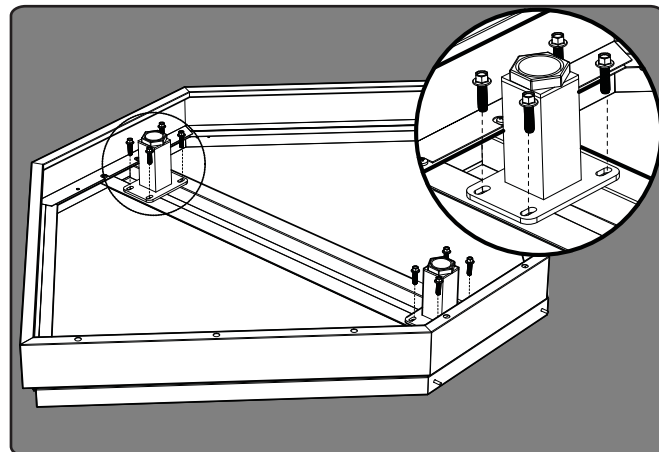
2 Attach Top, Back Panel and Base with 4 x 8/32" x 3/8" pan head bolts.



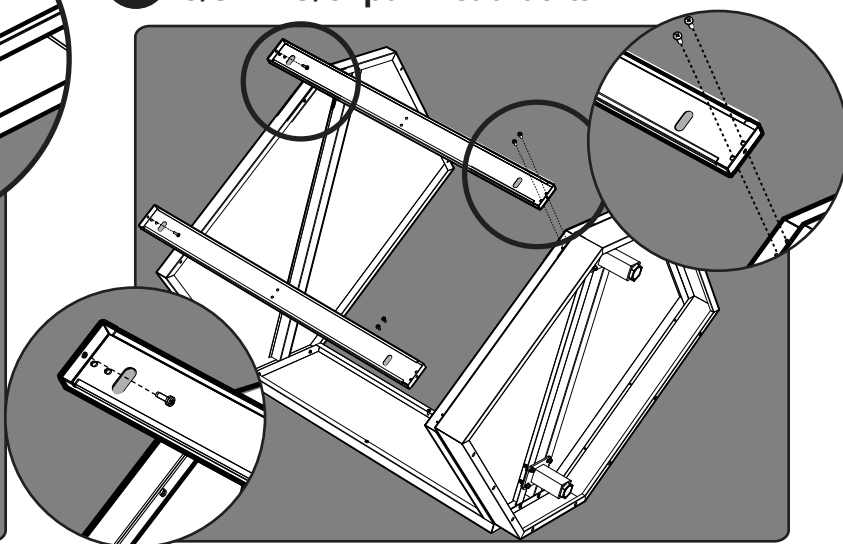
4 Attach shelf to vertical supports using 4X 8/32" x 3/8" Pan Head Bolts.



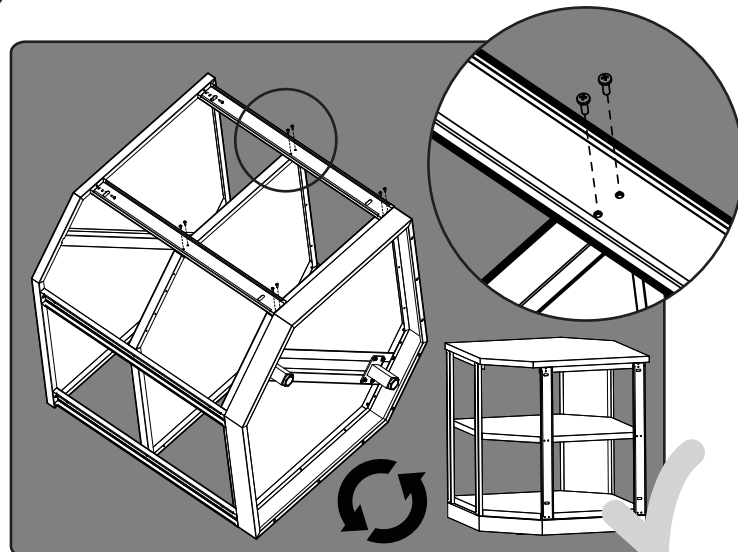
1 Attach 2 legs to leg channel with 8 x M6 x25mm hex bolts.



3 Attach 2 uprights to assembly using 4 x 8/32" x 3/8" pan head bolts



5 Repeat step 4 for 2 more vertical supports.

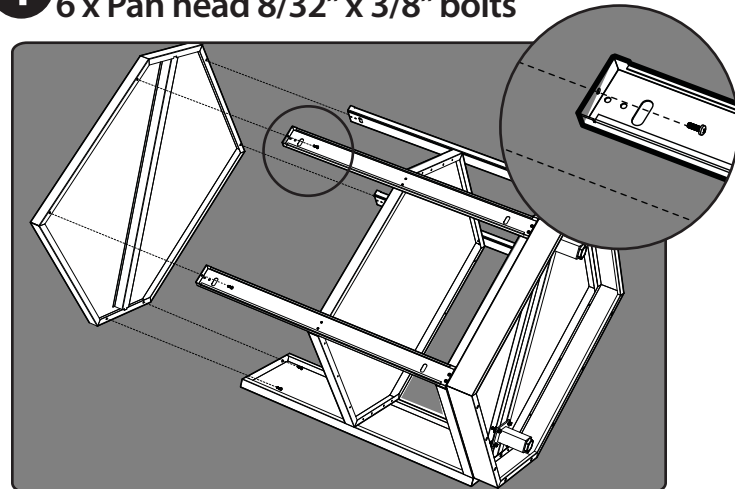


Frame Assembly for Granite Top

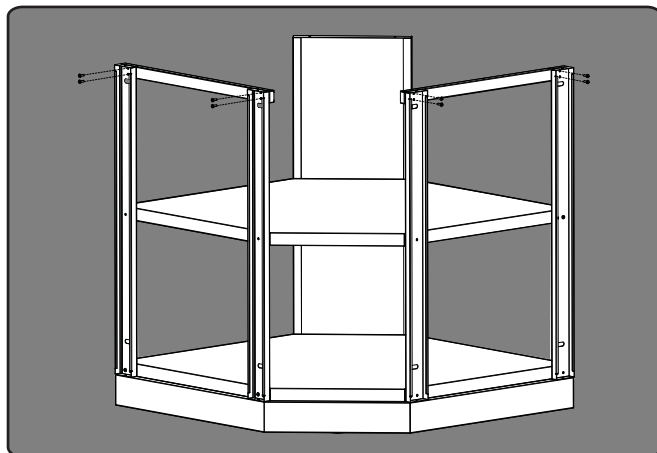
i Parts Needed.



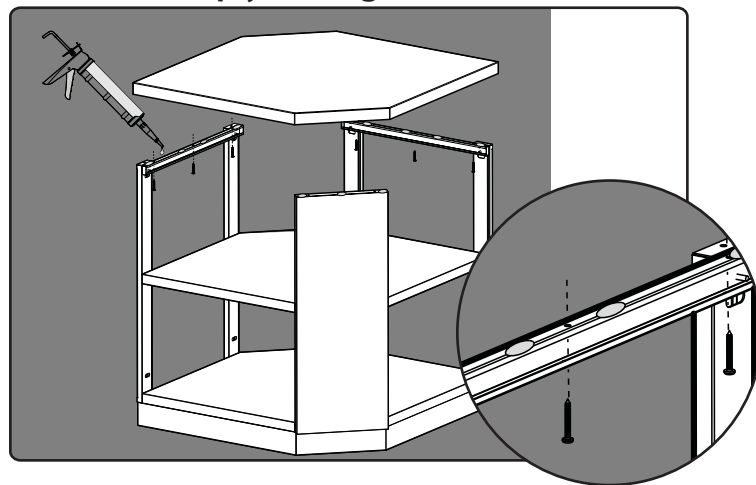
1 Undo Stainless Steel Top by removing 6 x Pan head 8/32" x 3/8" bolts



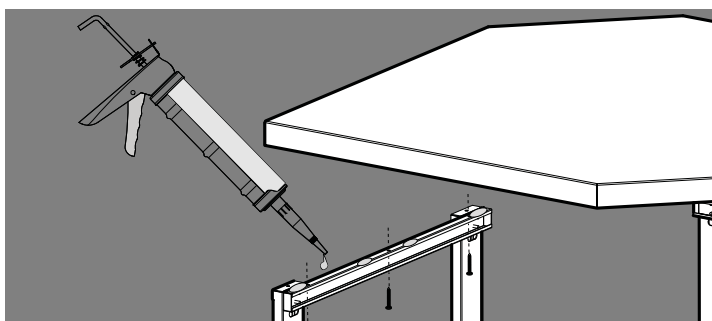
2 Attach 2 included Granite rails using 4 x 8/32" x 3/8" pan head bolts at top of supports.



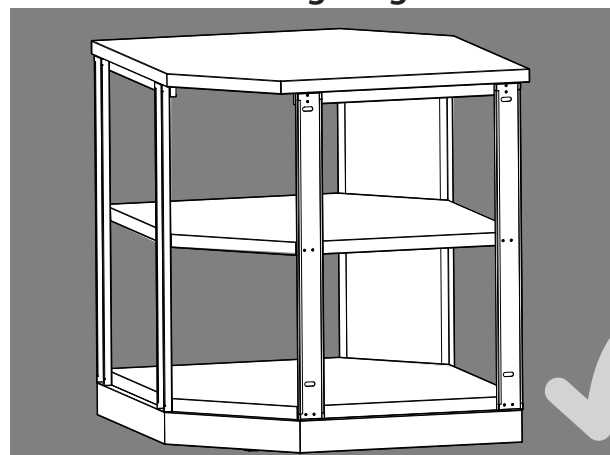
3 Attach Granite corner top with 6 x #6 x 5/8" Pan Head wood screws into Outdoor plywood granite backer.



4 Add silicone using 8 small dabs to hold top in place. Wipe up any extra silicone that seeps out during installation.



5 Allow the silicone to dry for 24 hours before loading weight on shelf.

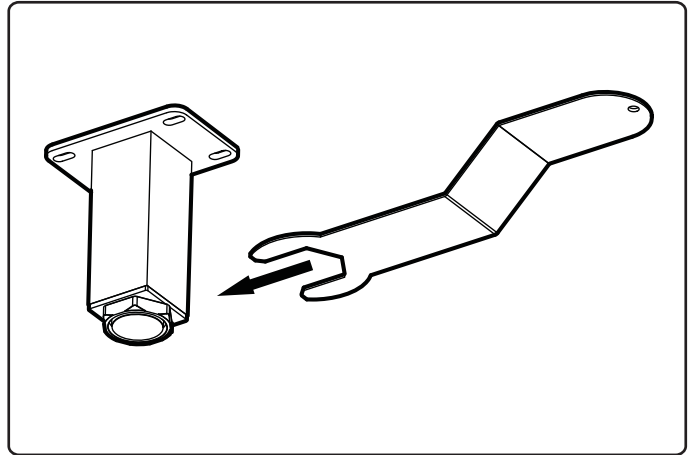


Levelling the Legs

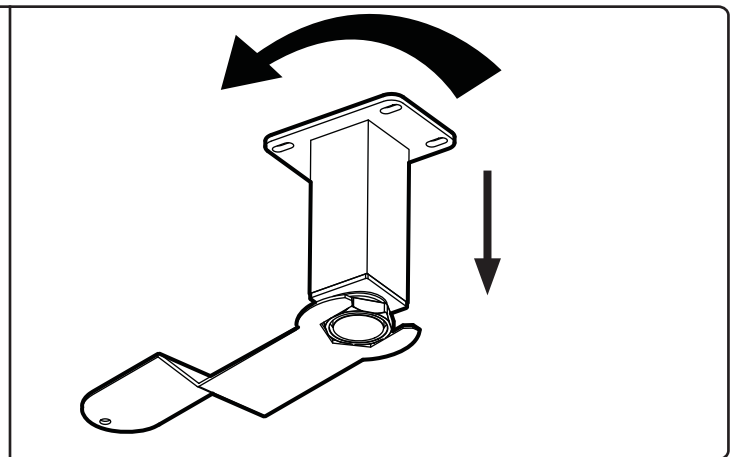
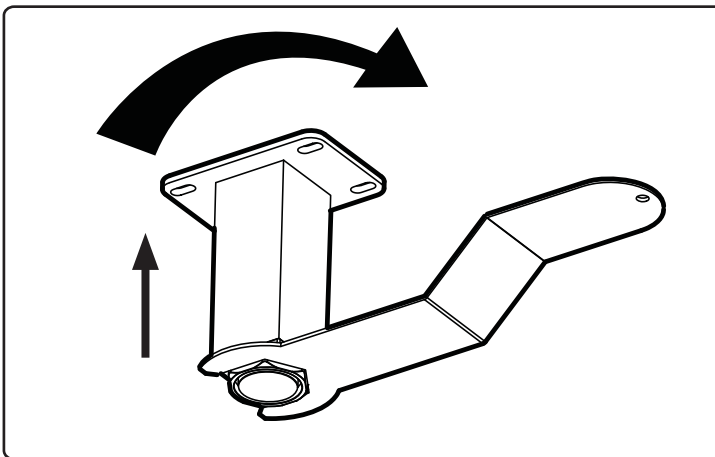
i Parts Needed.



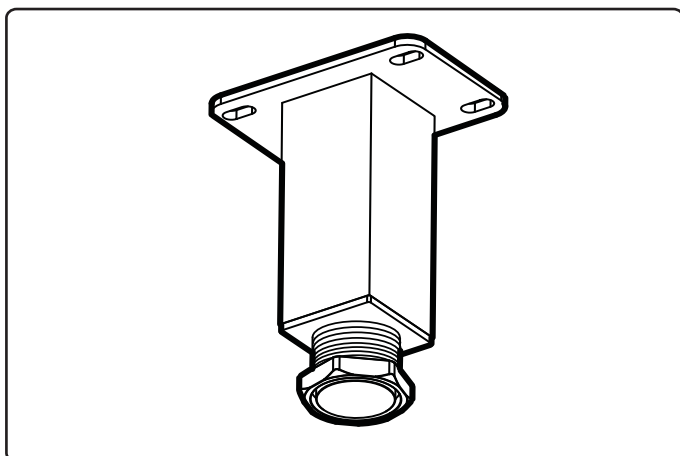
1 Use wrench to level cabinet and adjust height.



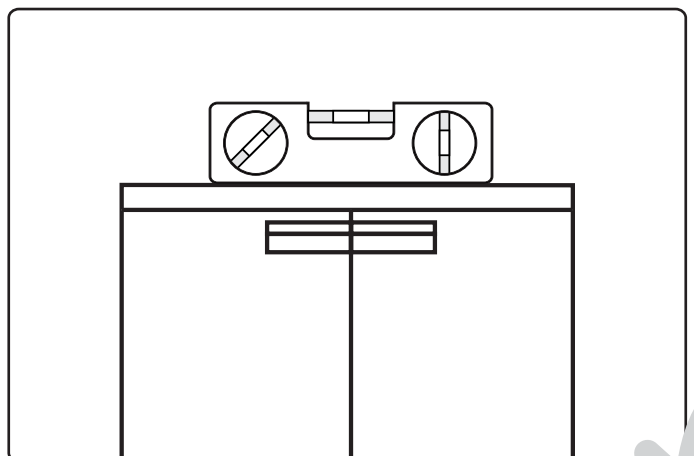
2 Rotate wrench to lower or raise corner of cabinet.



3 Repeat step 1-3 for each corner.

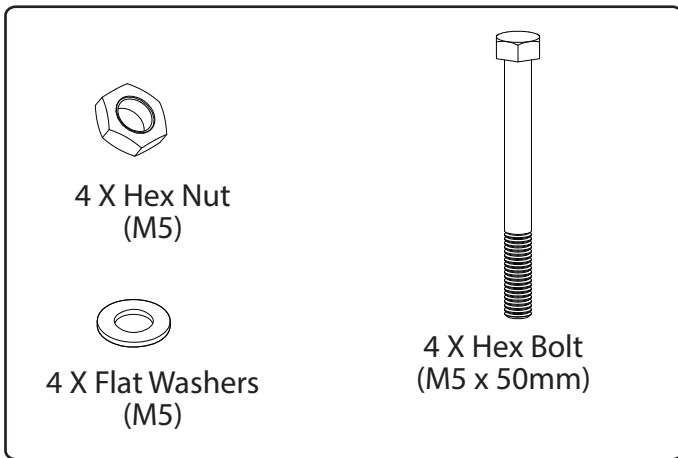


4 Level Cabinet.

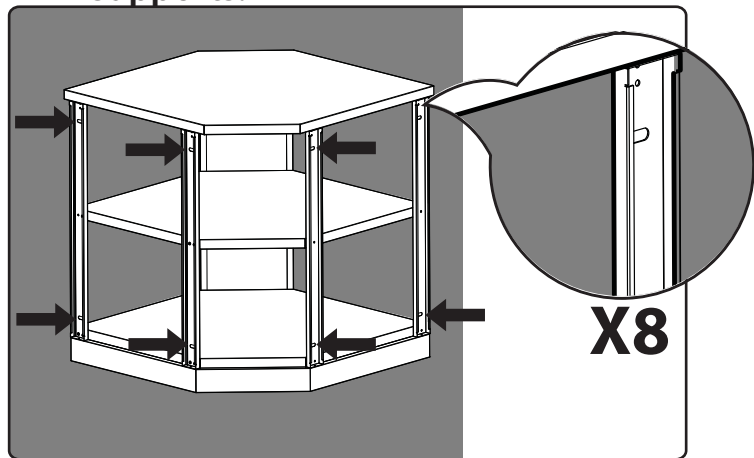


Fastening Cabinets

1 Parts Needed.

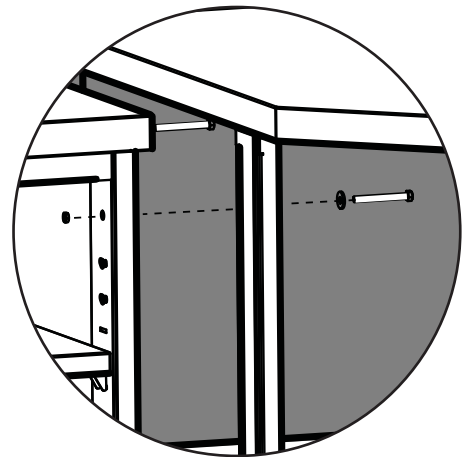
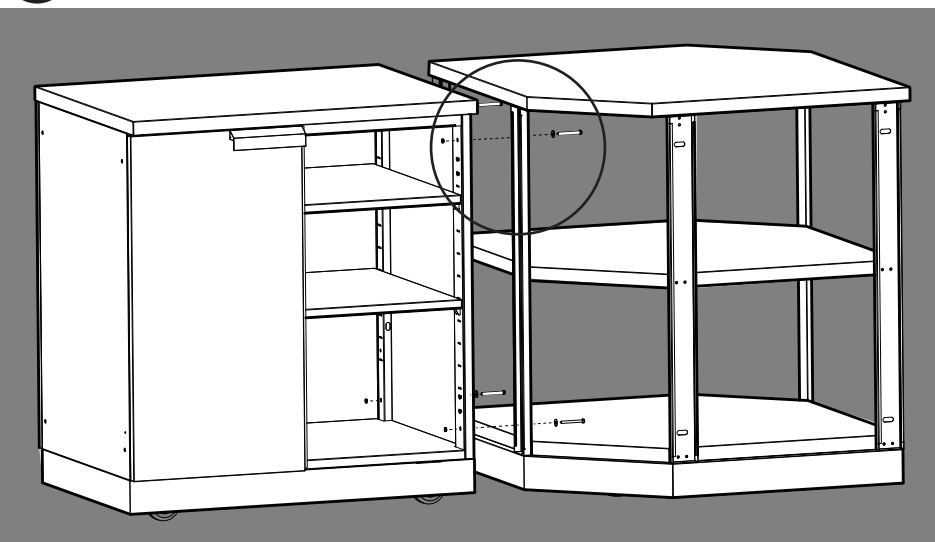


2 Locate bolt slots on upright supports.



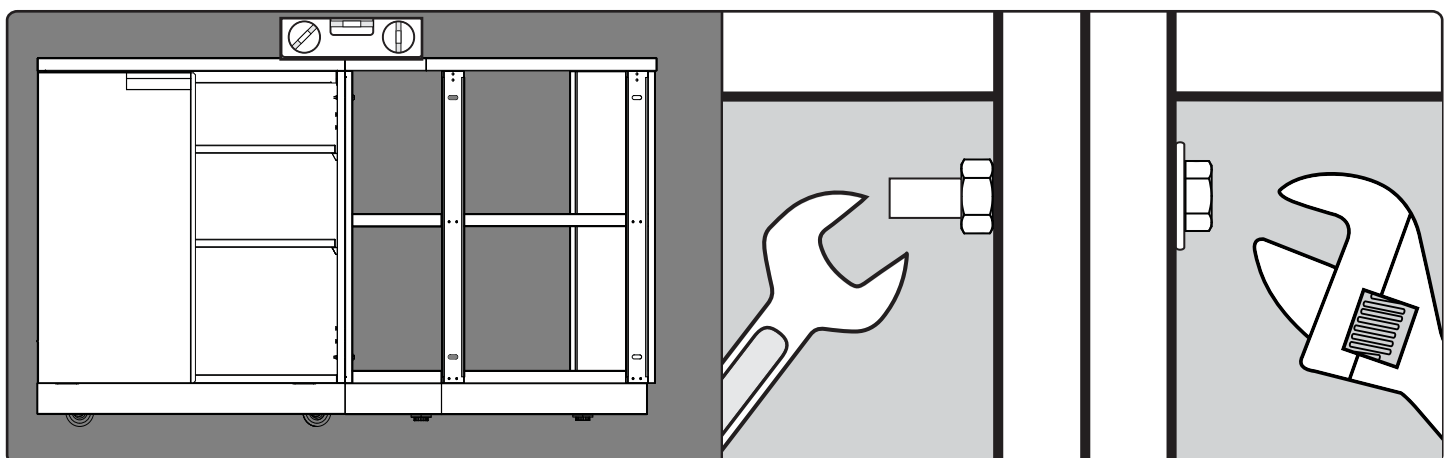
*** Door removed for ease of explanation ***

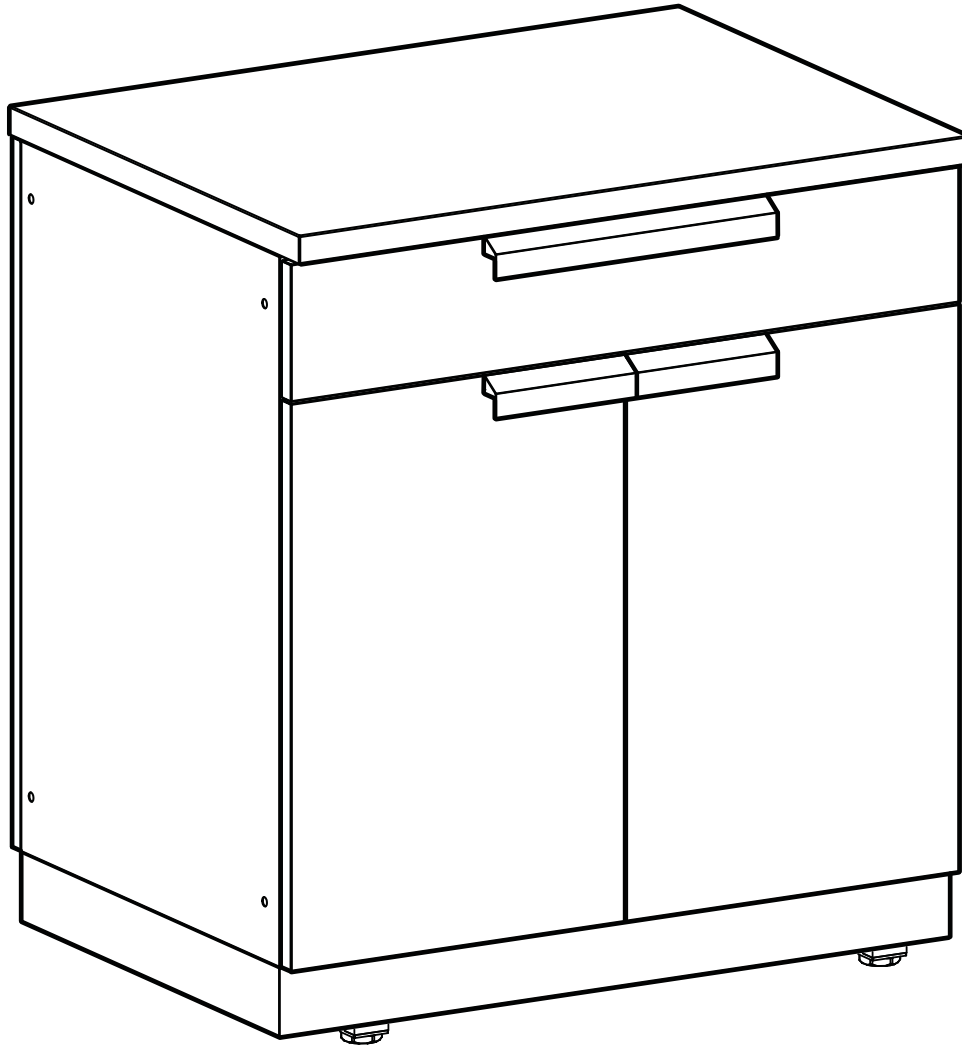
3 Align hole locations, put bolt and washer through holes tighten nut lightly.



X4

4 Level cabinets and tighten all bolts.





OUTDOOR KITCHEN 32" Bar Cabinet SS

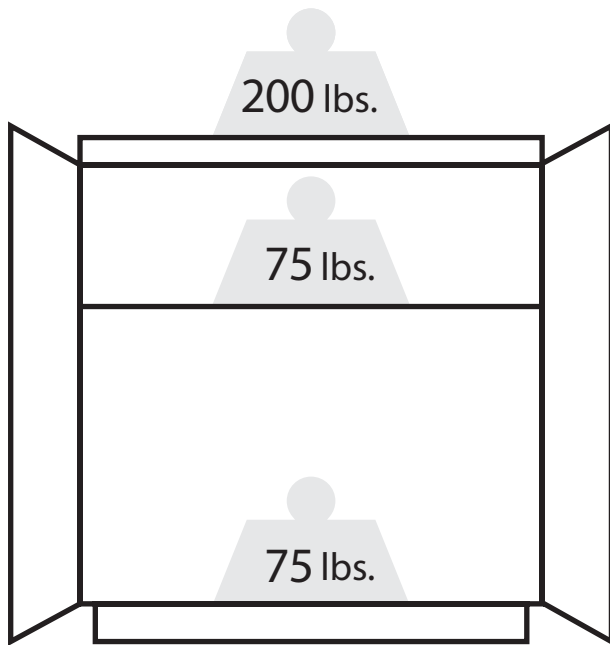


Warning: Excessive weight hazard!

Use two or more people to move, assemble or install cabinets and shelves to avoid back injury.
Do not leave children unattended near cabinets.

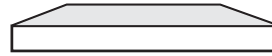
For assistance, call 1.877.306.8930; for UK 0800.031.4069; e-mail at info@newageproducts.com

Weight Capacity

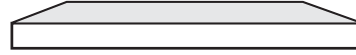


32" - SS Bar Cabinet
Max 350 lbs.

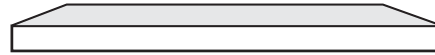
Worktops



32" Worktop. Fits over 1 Cabinet



56" Worktop. Fits over 1 Cabinet & Fridge nook.



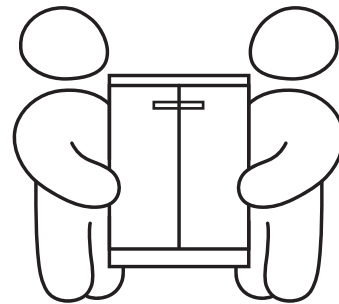
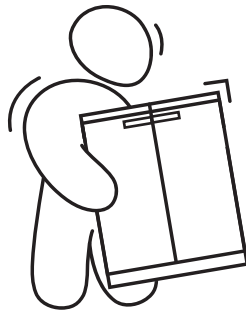
64" Worktop. Fits over 2 Cabinets



88" Worktop. Fits over 2 Cabinets & Fridge nook.



96" Worktop. Fits over 3 Cabinets

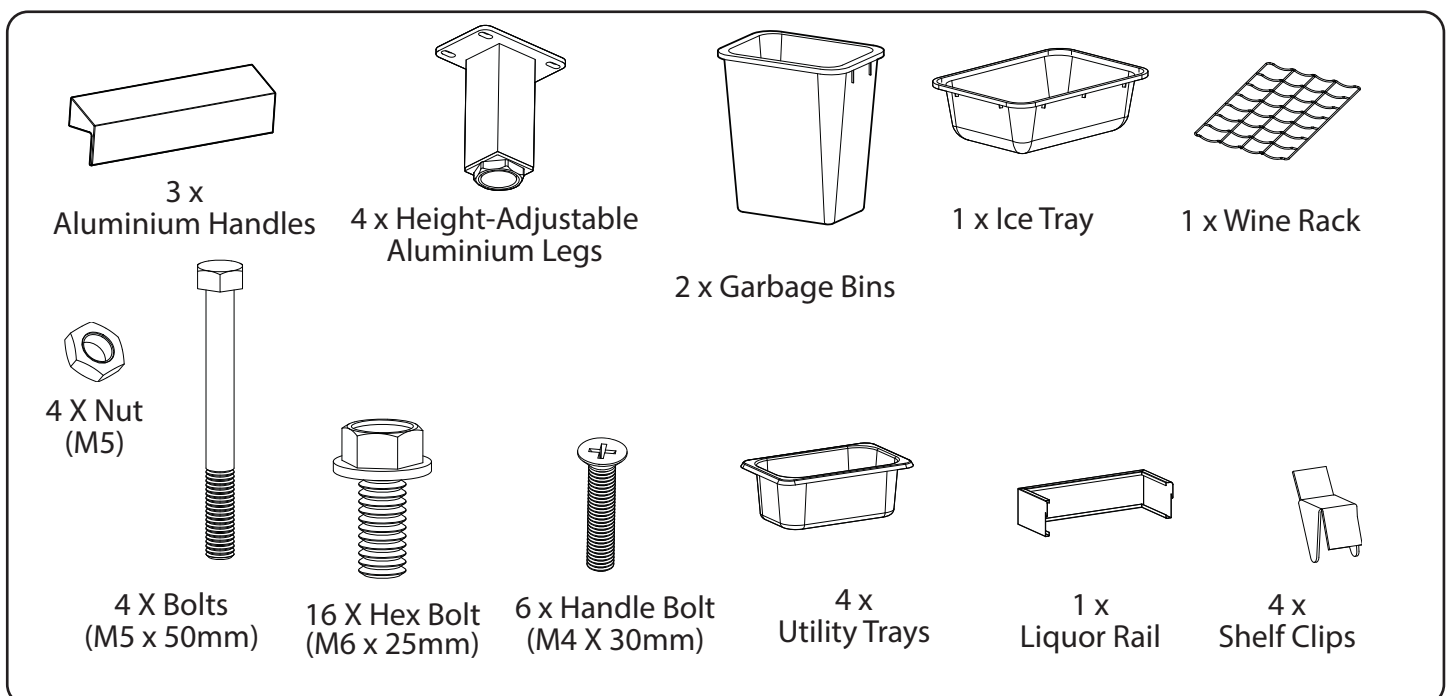


Unpacking

- Begin by placing the package on a protected flat surface.
- Remove all cardboard, foam packaging material and clear plastic bags.
- Dispose / recycle all packaging materials.
- Verify all the contents in the box and gather the required tools. See "Parts" and "Tools Needed" in the list below.

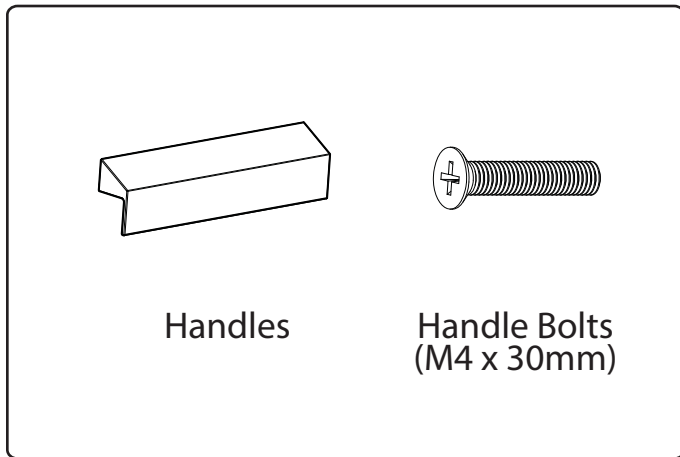
Parts Supplied

	Bar Cabinet
Height-Adjustable Aluminum Legs	4
Hex Bolt (M6 X 25MM)	16
Hex Bolt (M5 x 50mm)	4
Hex Nuts (M5)	4
Handle Bolts (M4 x 30mm)	6
Aluminum Plated Handles	3
Leg Adjustment Wrench	1

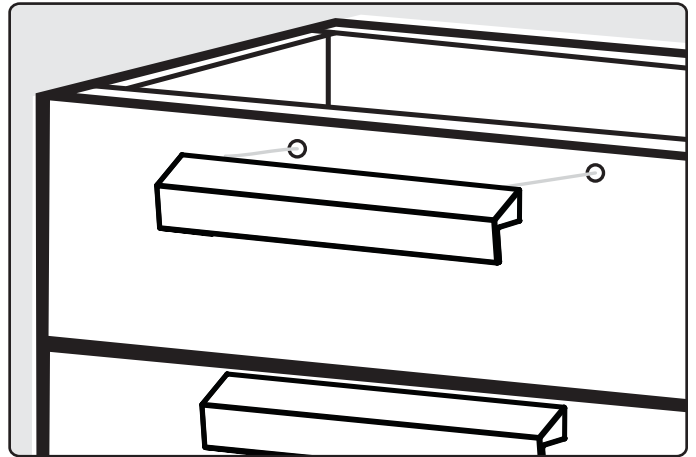


Installing the Handles

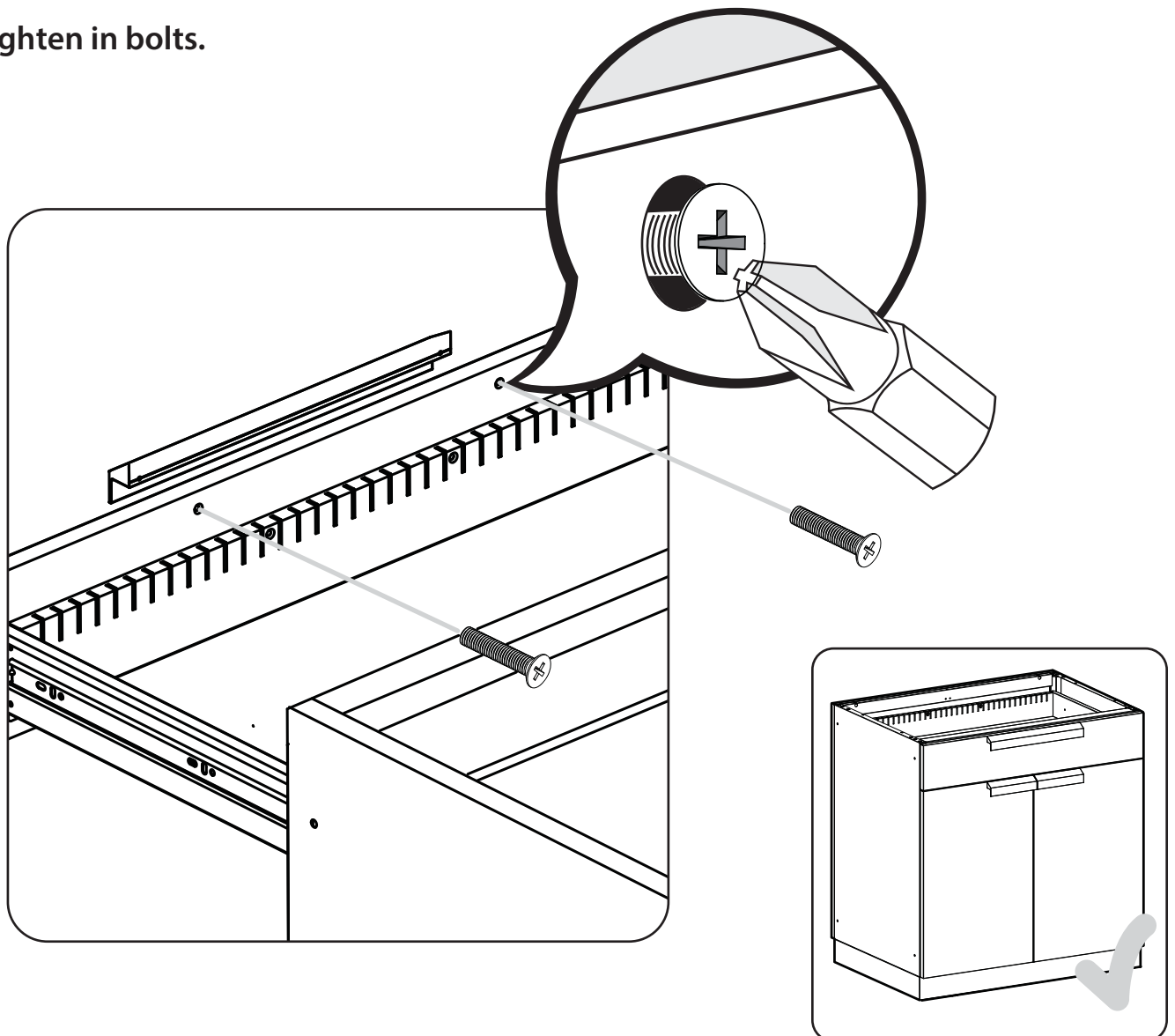
1 Parts Needed.



2 Align handle to holes on doors or drawers.

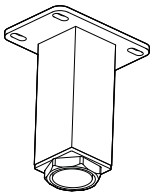


3 Tighten in bolts.

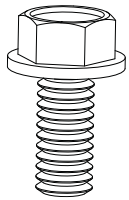


Installing the Legs

i Parts Needed.

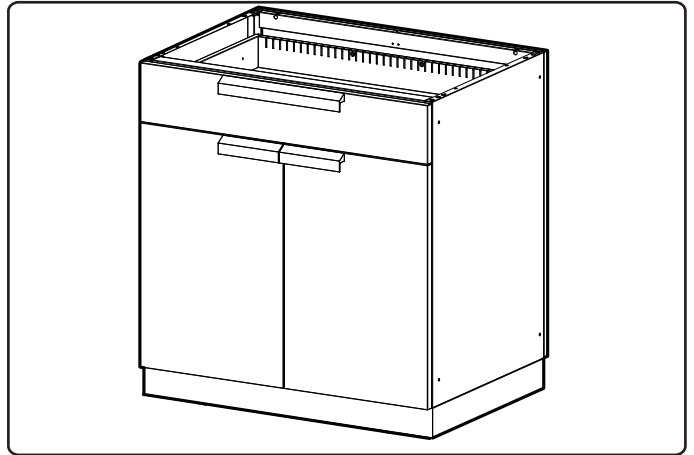


4 X Adjustable Feet

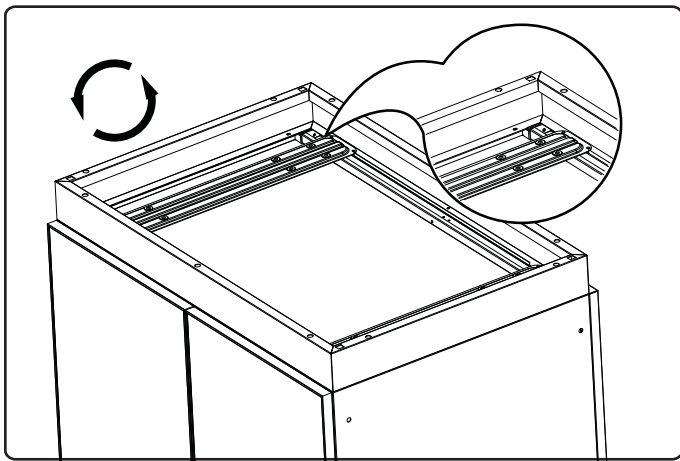


4 X Adjustable Feet

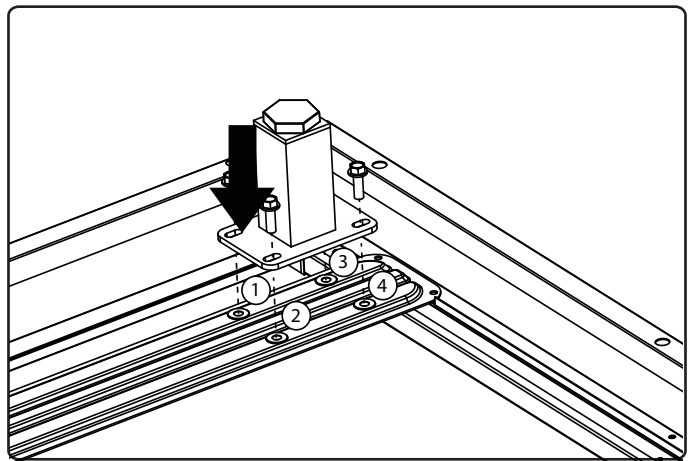
1 Open cabinet, remove any shelves or loose items.



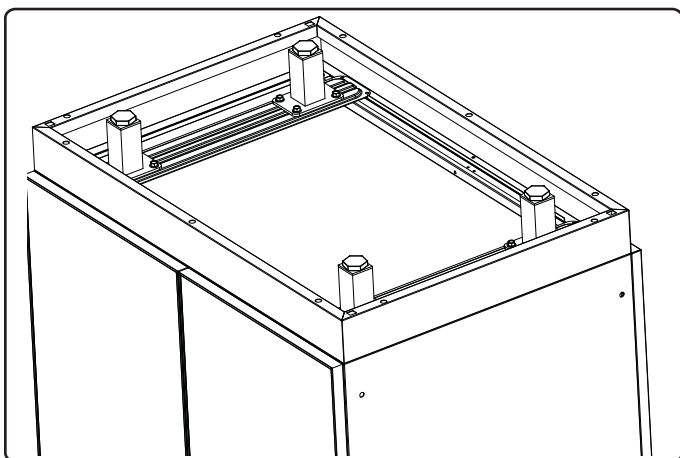
2 Flip cabinet upside down. Locate holes on crossbeam.



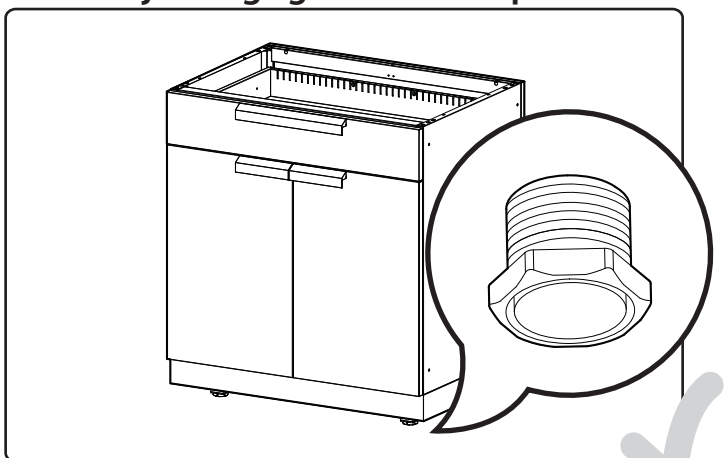
3 Align foot with holes on crossbeam. Tighten in Hex bolts.



4 Repeat step 3 for each corner.

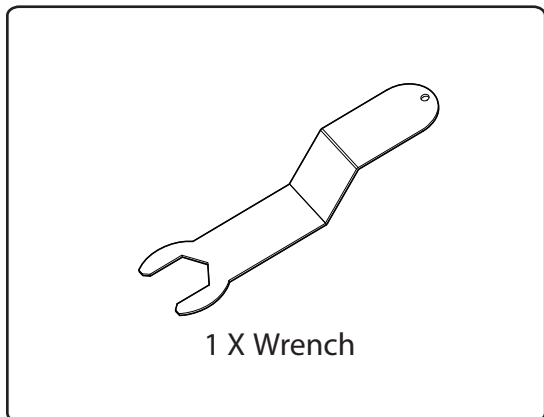


5 Stand cabinet upright. To level and adjust legs go to next step.

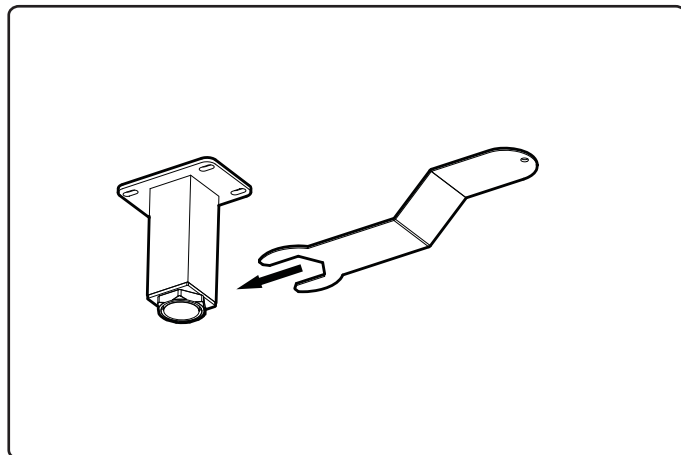


Levelling the Legs

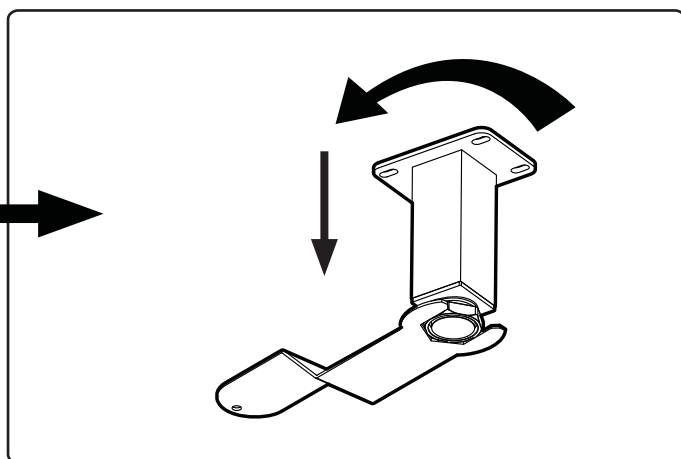
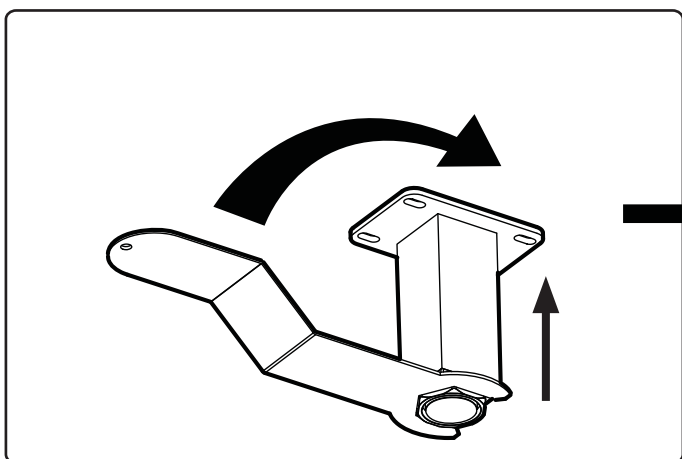
i Parts Needed.



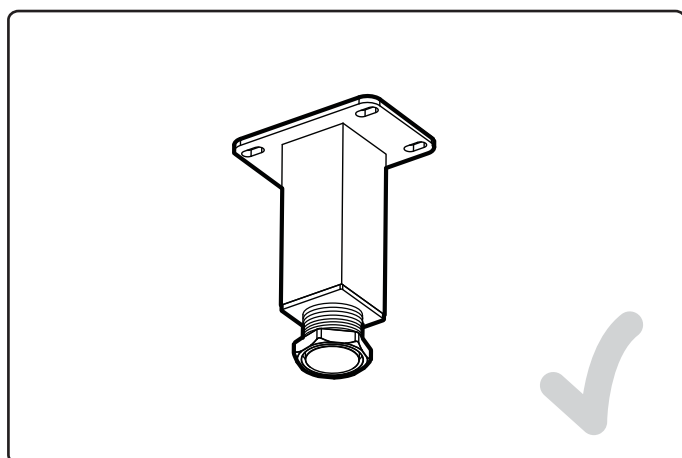
1 Use wrench to level cabinet and adjust height.



2 Rotate wrench to lower or raise corner of cabinet.

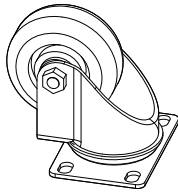


3 Repeat step 1-3 for each corner.

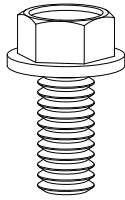


Installing the Casters(optional)

i Parts Needed.

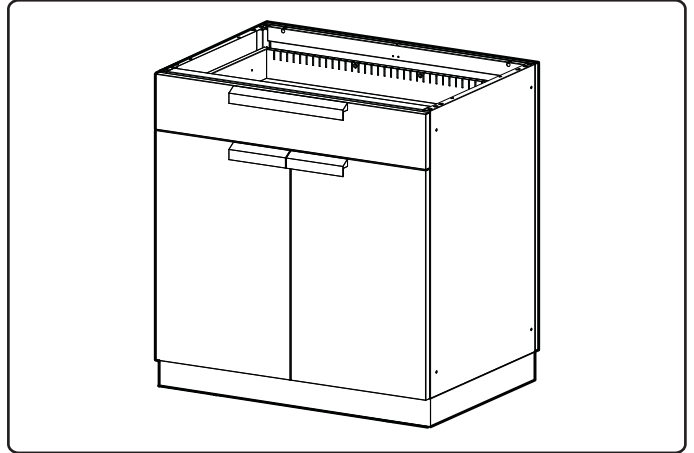


4 X Casters

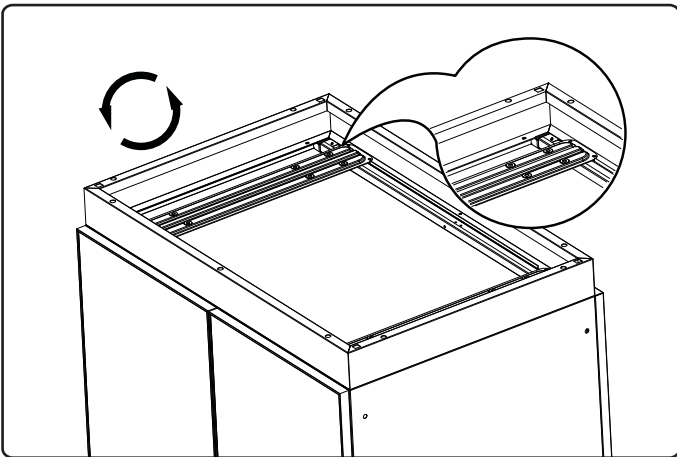


16 X Hex
Washer Bolt

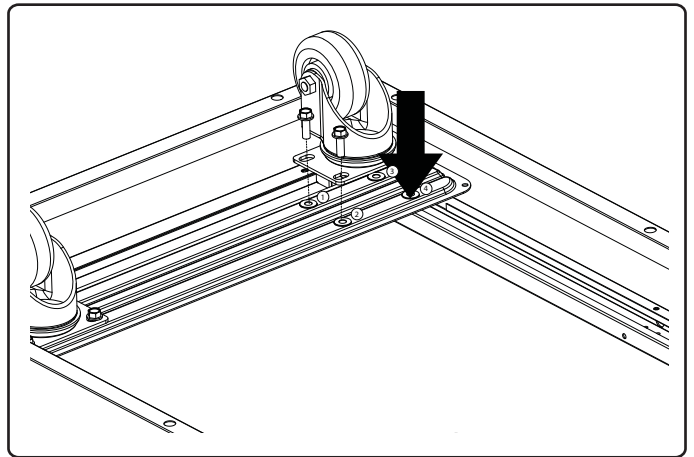
1 Open cabinet, remove any shelves or loose items.



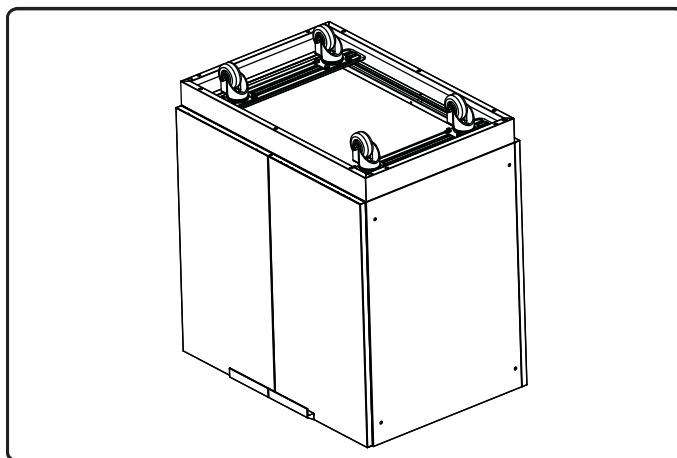
2 Flip cabinet upside down, locate holes on crossbeam.



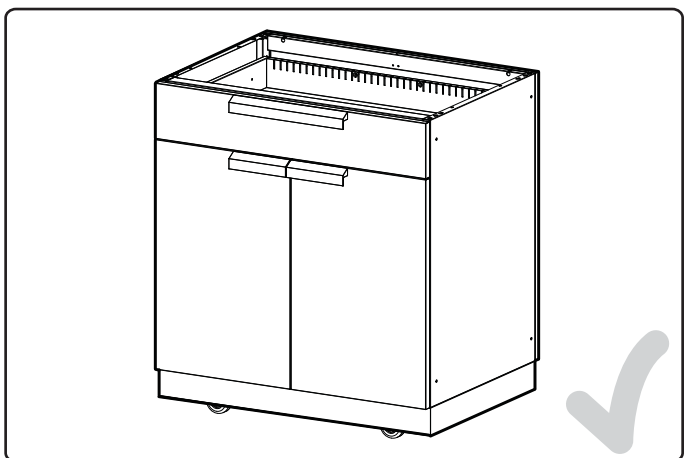
3 Align foot with holes on crossbeam. Tighten Hex bolts.



4 Repeat step 3 for each corner.

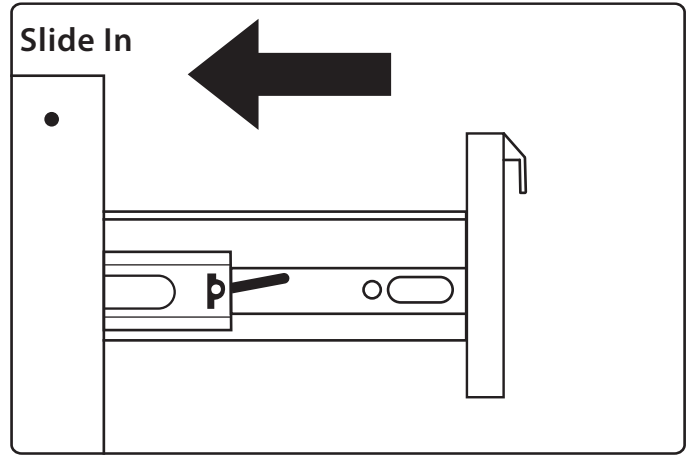
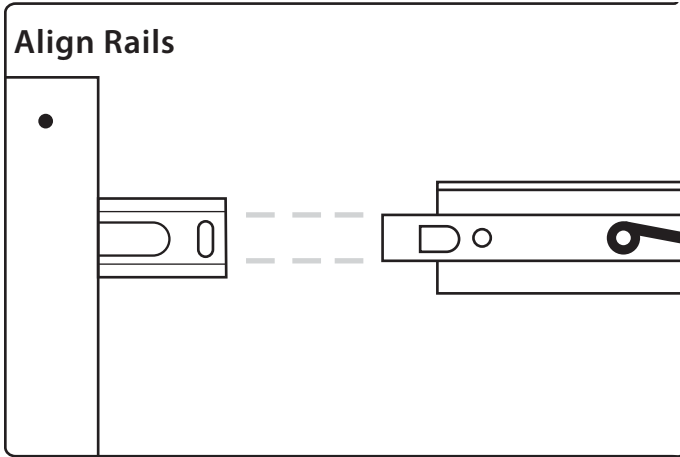


5 Stand cabinet upright.

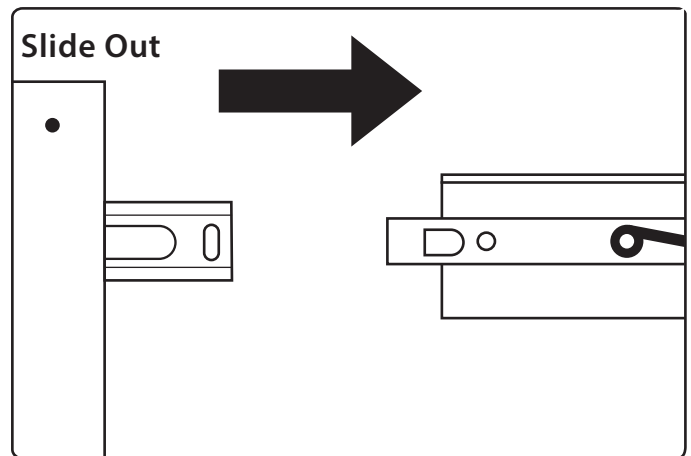
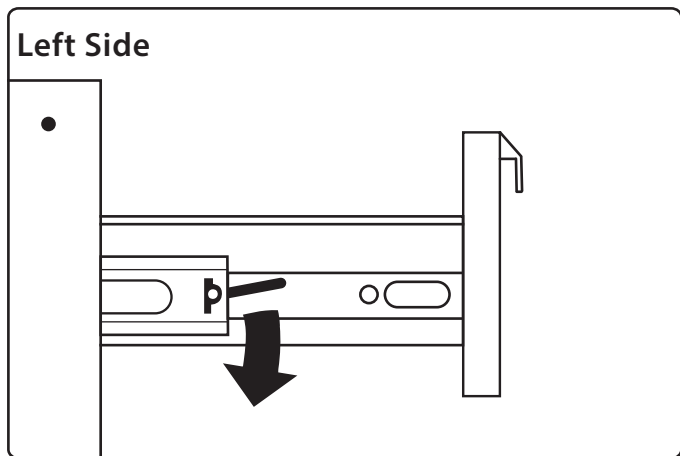
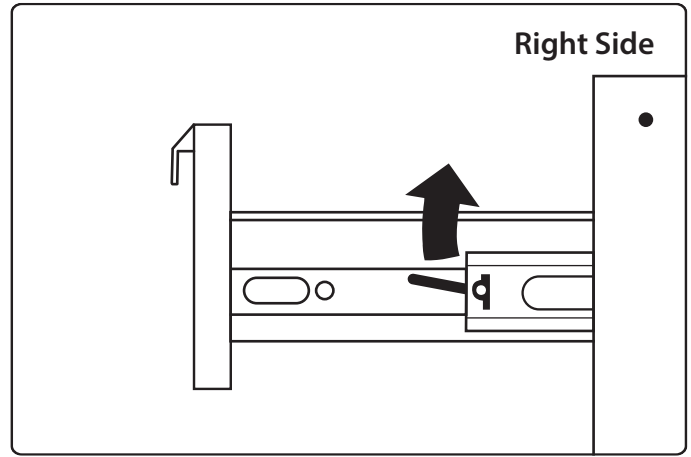
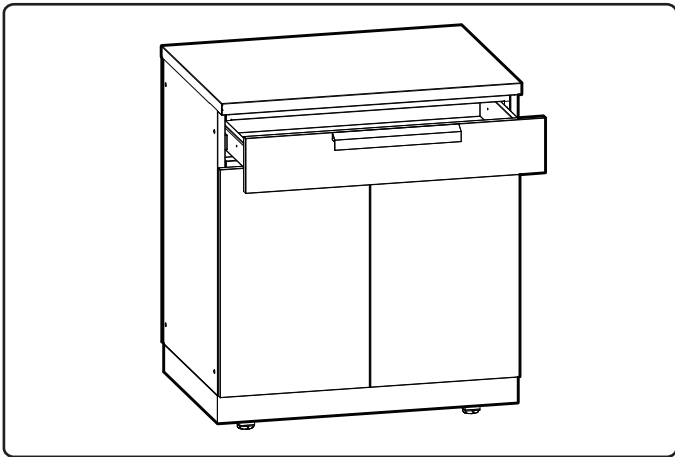


Installing the Drawer

Inserting Drawer.



Removing Drawers.

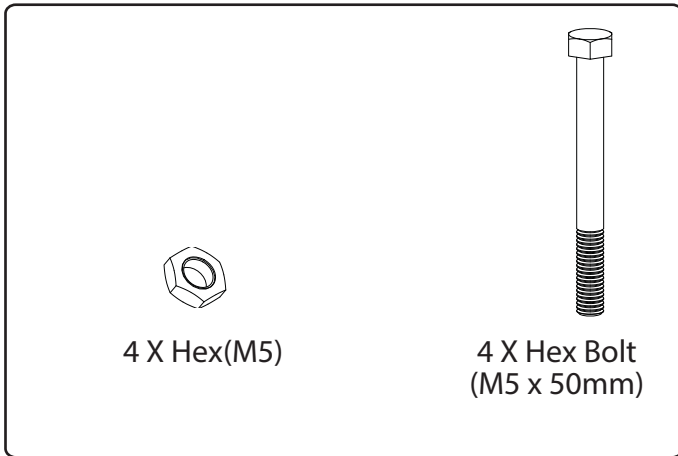


Fastening Cabinets

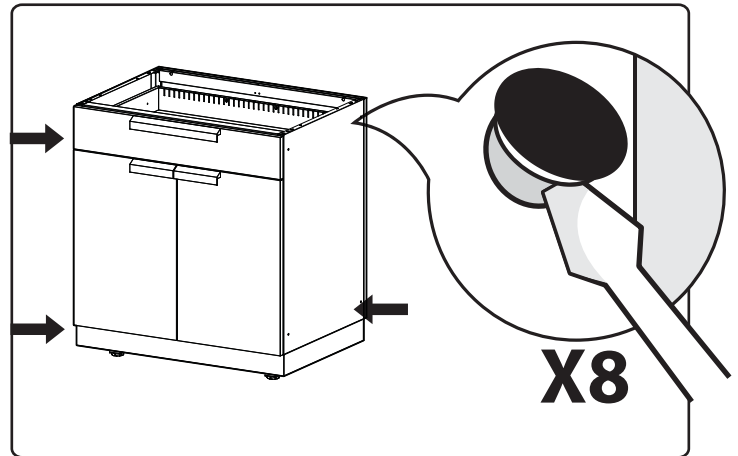
Note:

All drawers must be removed prior to fastening cabinets together.

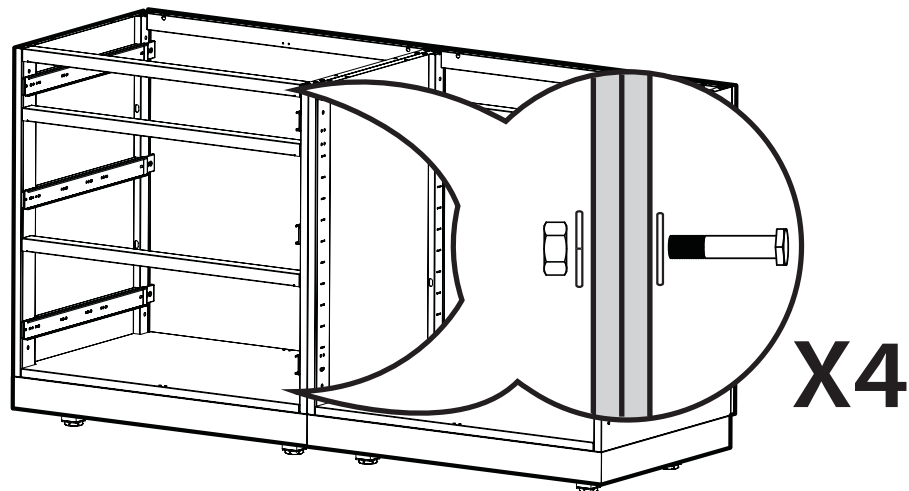
1 Parts Needed.



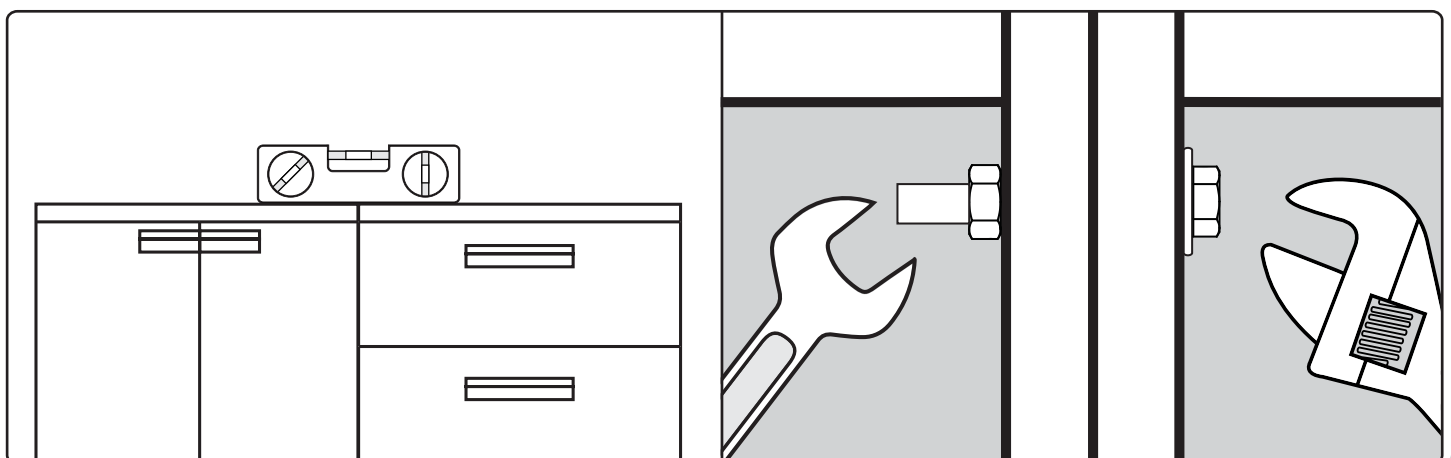
2 Remove plastic caps from cabinets.



3 Align bolts, tighten lightly.

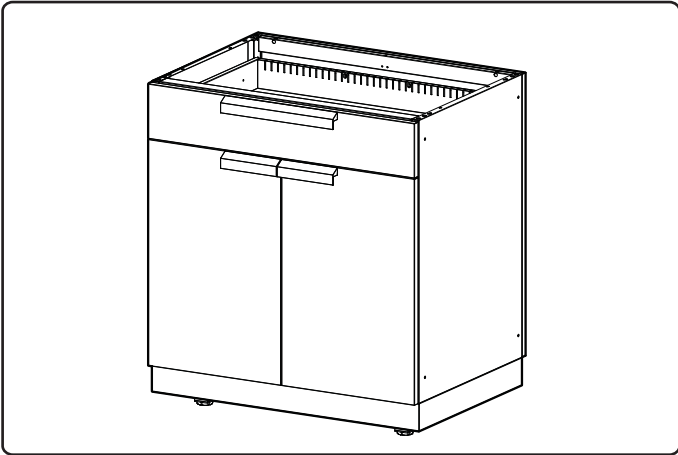


4 Level cabinets and tighten all bolts.

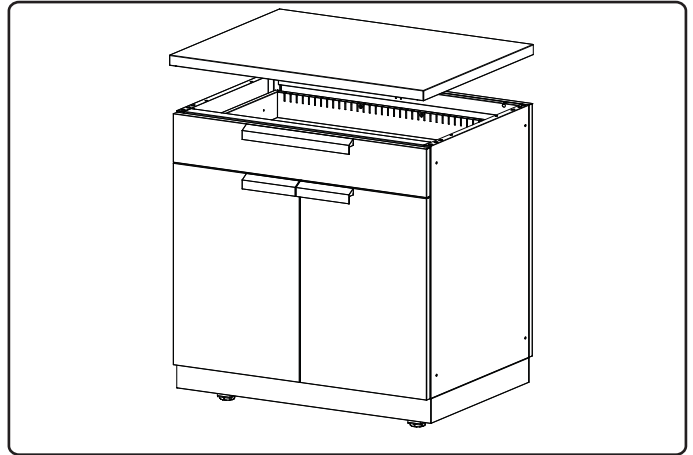


Mounting the Worktop

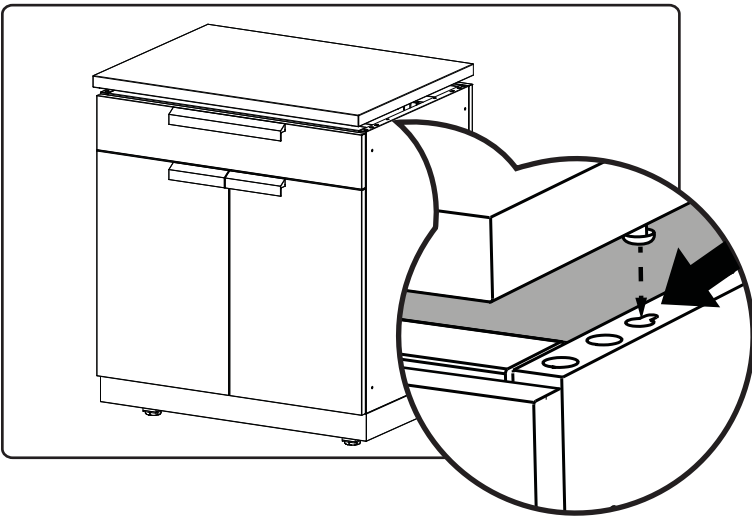
1 Stand cabinet upright.



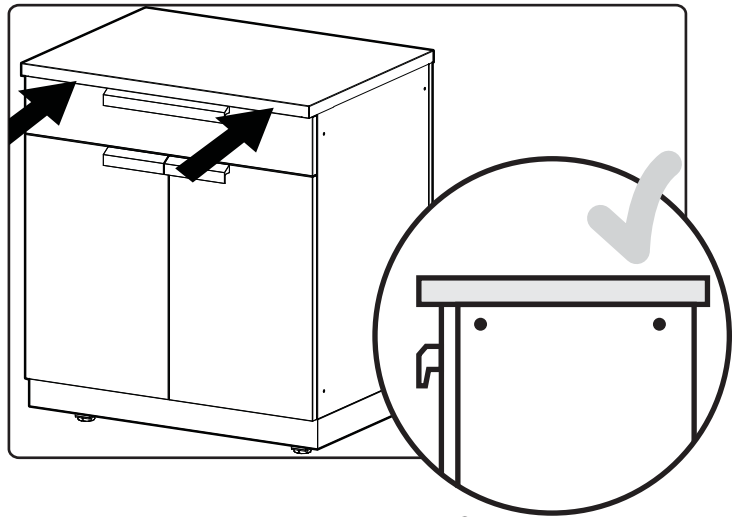
2 Place worktop over cabinets.



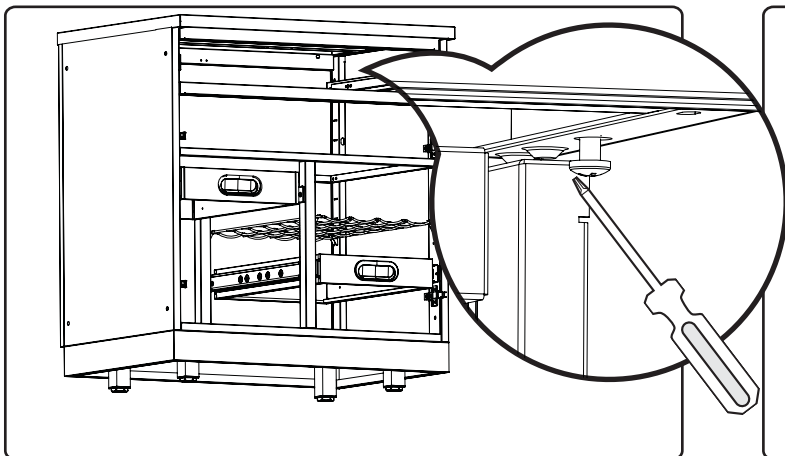
3 Insert the worktop bolt heads into the keyhole shape slots.



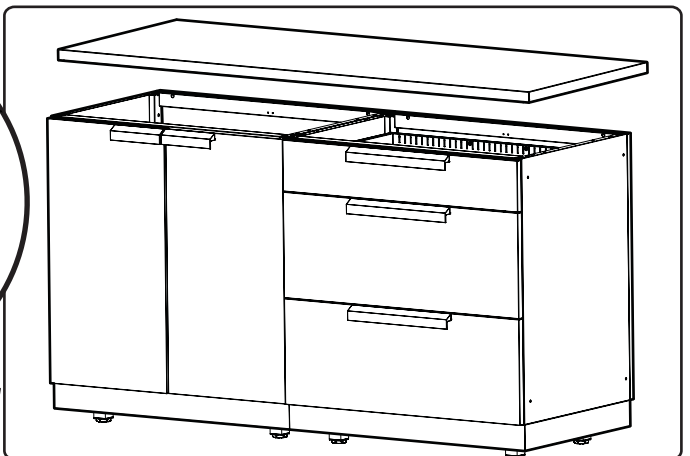
4 Push worktop in to lock.



5 Tighten screws to secure top.



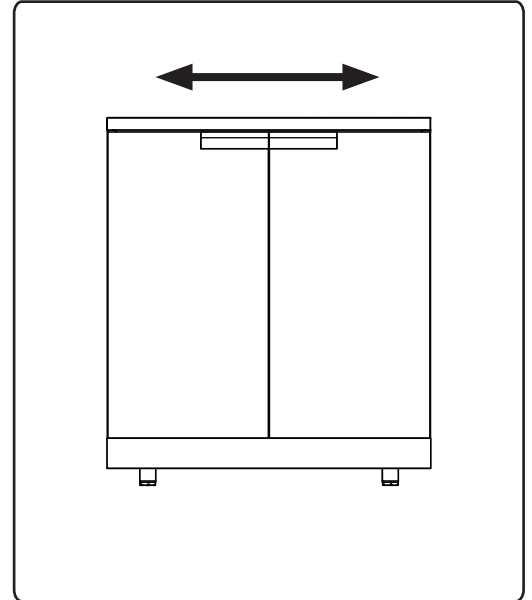
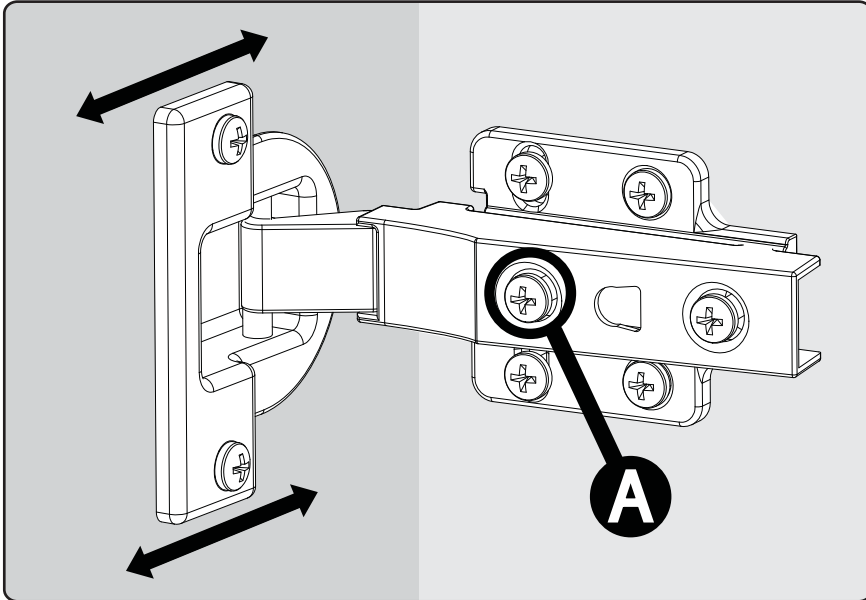
Optional: Repeat steps 2-5 for mounting larger worktops.



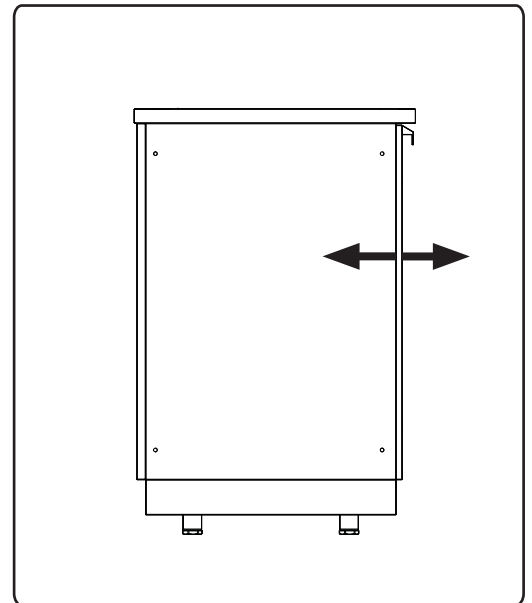
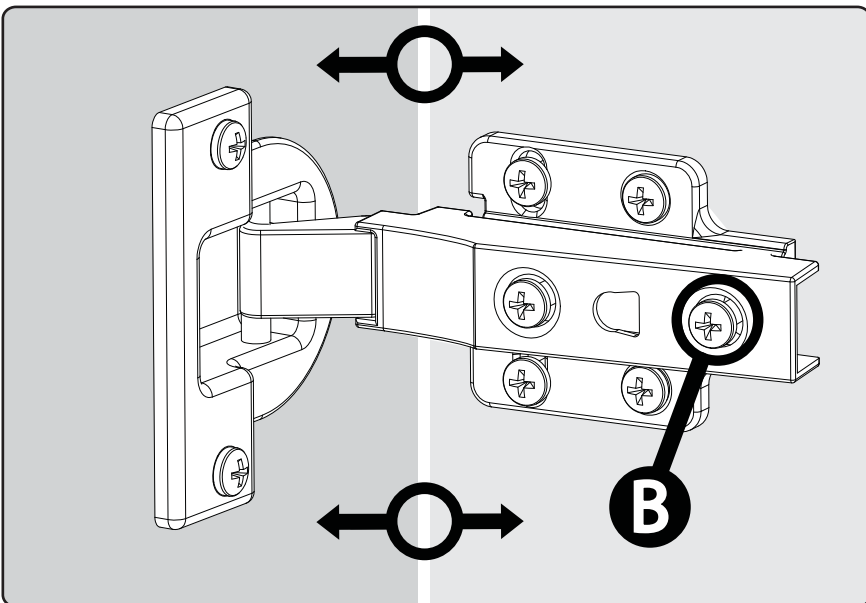
Adjusting the Door Hinges

Using a Philips screwdriver, the doors can be adjusted:
Left, right, forwards and backwards.

- 1** To adjust the doors left or right, turn the screw (A) clockwise or counterclockwise.

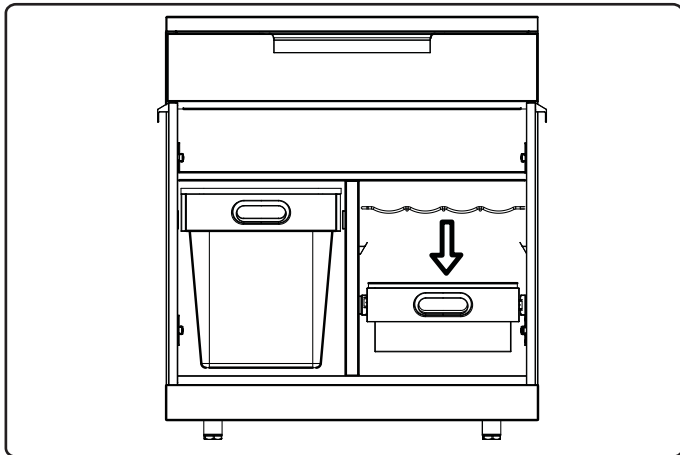


- 2** To adjust the gap between the doors and frame, turn the screw (B) clockwise or counterclockwise.

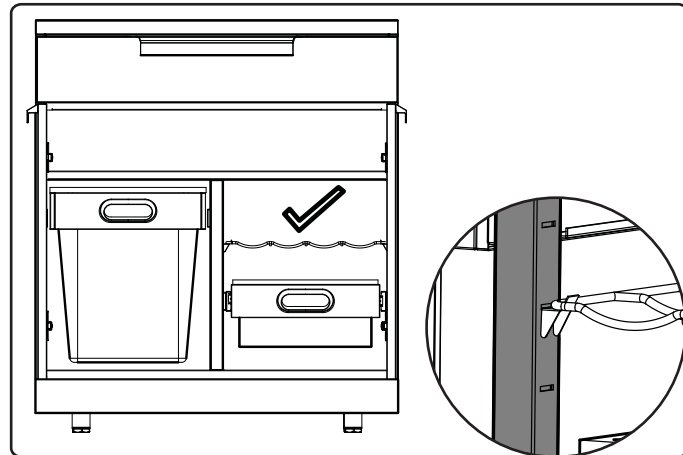


Wine Rack, Ice Tray and Garbage Bin Installation

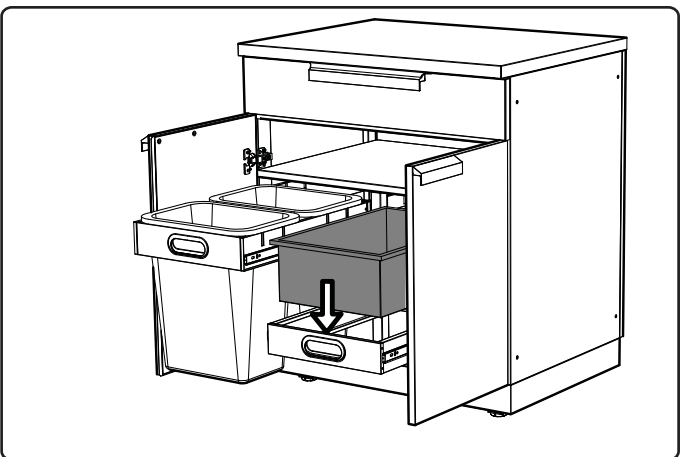
- 1** Open Doors. Set rack clips in the desired slot locations on the upright posts.



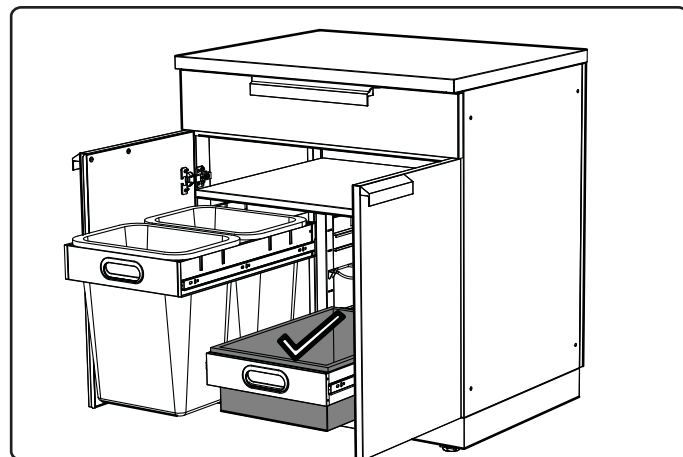
- 2** Set rack on top of 4 clips at the same level height. Store beverage bottles.



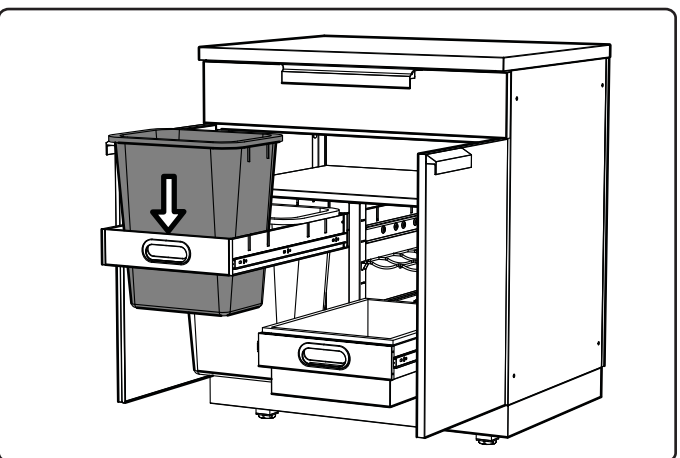
- 3** Remove and install beverage chilling tray with formed metal edge.



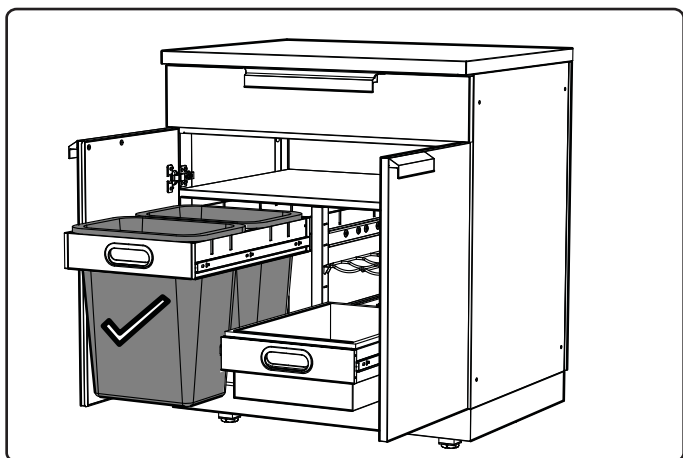
- 4** Slide beverage chilling tray into/out of pullout frame. Push in frame to dock.



- 5** Remove and install Garbage bins



- 6** Slide Garbage bins into/out of pullout frame. Push in frame to dock.





OUTDOOR KITCHEN 32" Bar Cart SS

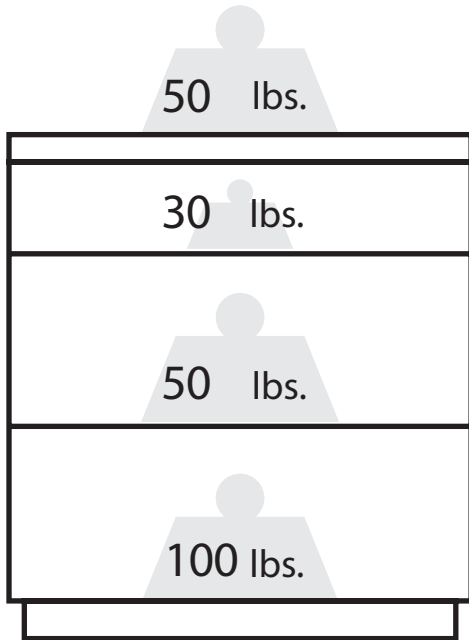


Warning: Excessive weight hazard!

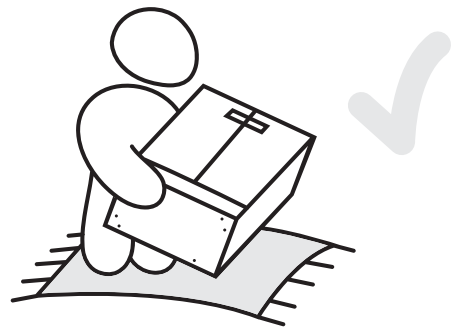
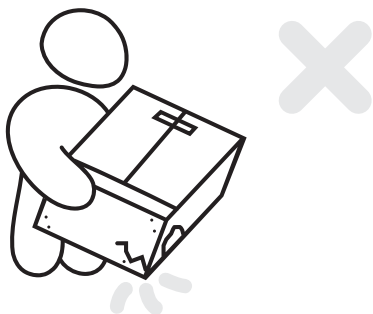
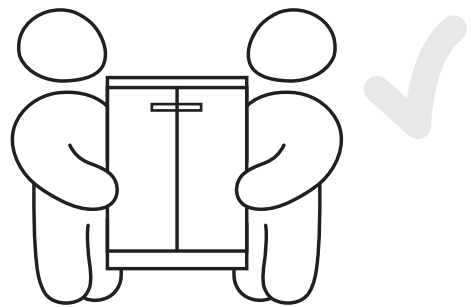
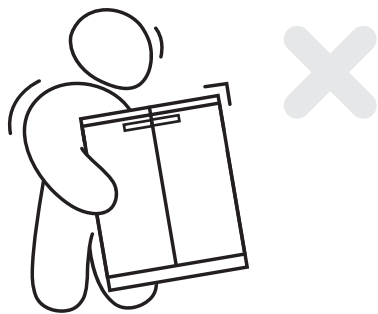
Use two or more people to move, assemble or install cabinets and shelves to avoid back injury.
Do not leave children unattended near cabinets.

For assistance, call 1.877.306.8930; for UK 0800.031.4069; e-mail at info@newageproducts.com

Weight Capacity



Bar Cart
Max 230 lbs.

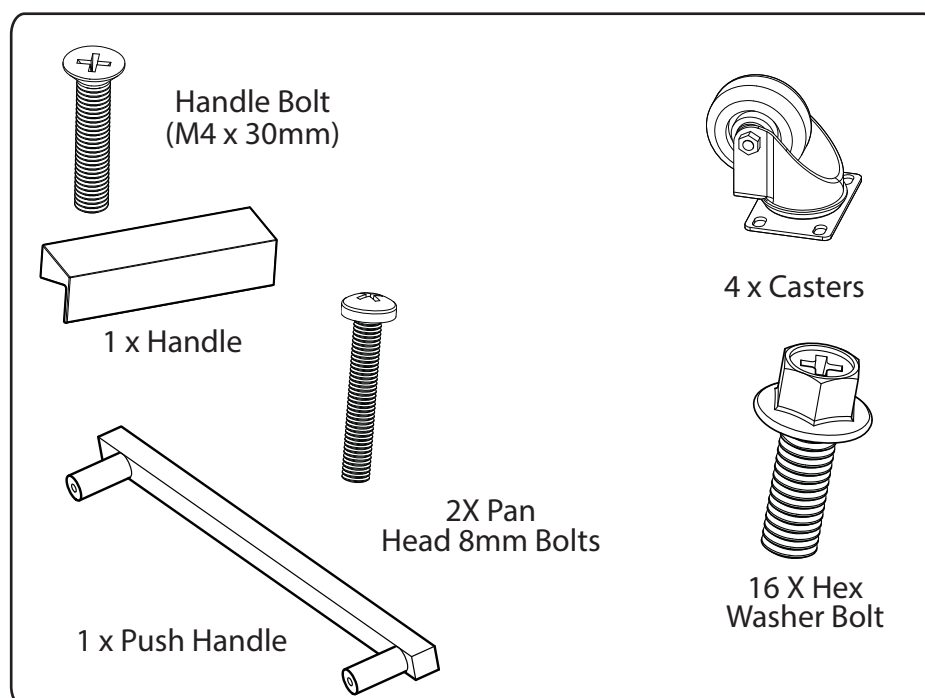


Unpacking

- Begin by placing the package on a protected flat surface.
- Remove all cardboard, foam packaging material and clear plastic bags.
- Dispose / recycle all packaging materials.
- Verify all the contents in the box and gather the required tools. See "Parts" and "Tools Needed" in the list below.

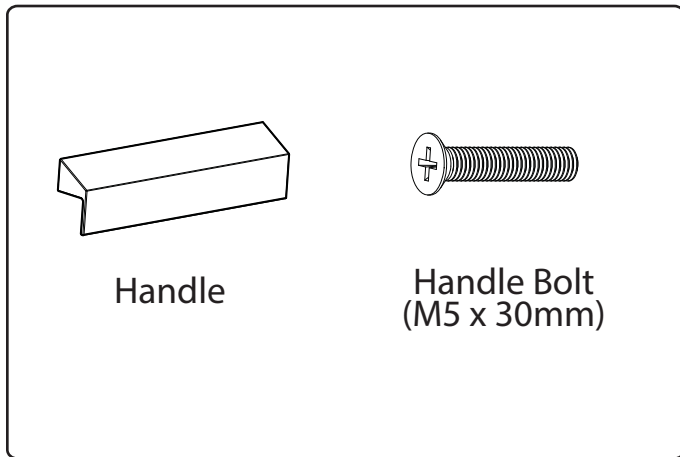
Parts Supplied

	Bar Cart
Casters (2 with Brake for front, 2 without for back)	4
Hex Bolt (M6 x 12mm)	16
Handle Bolts (M4 x 30mm)	2
Push Handle Bolts (M8 x 60mm)	2
Stainless Square Tube Push Handle	1
Plated Aluminum Handle	1

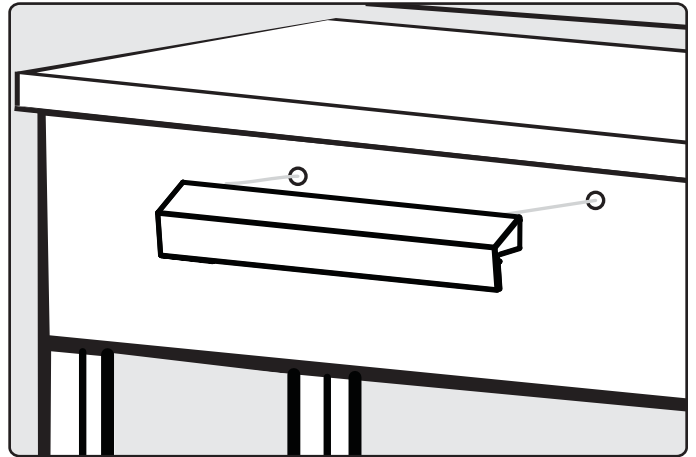


Installing the Handles

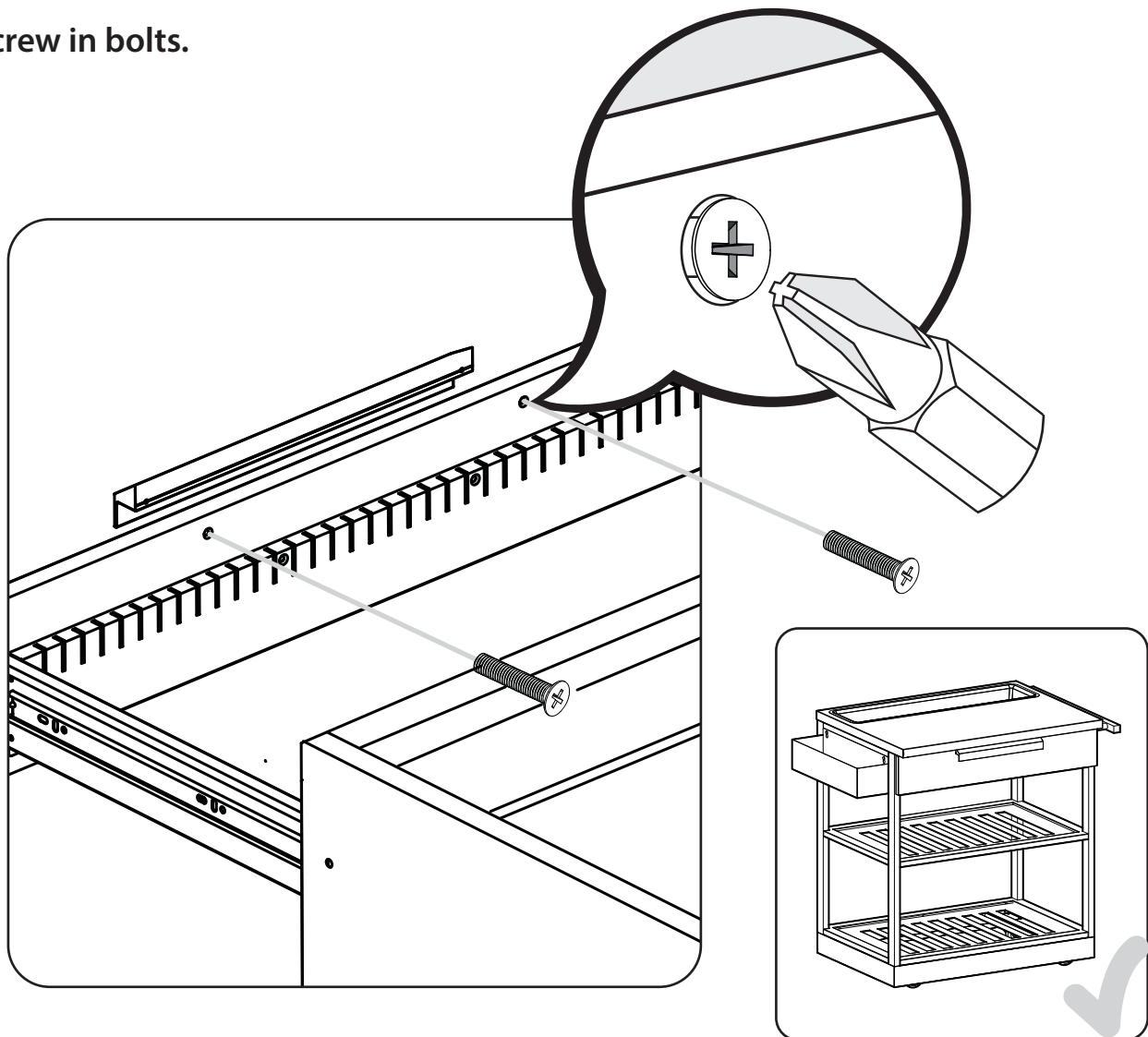
1 Parts Needed.



2 Align handle to holes on doors or drawers.

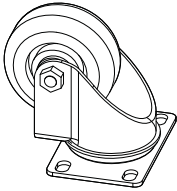


3 Screw in bolts.



Installing the Casters

i Parts Needed.

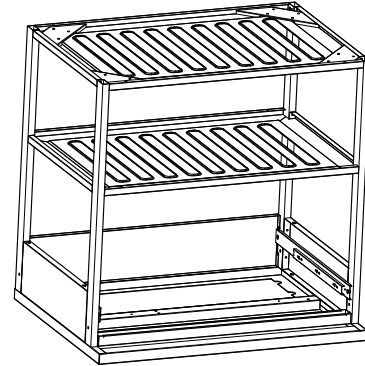


4 X Casters

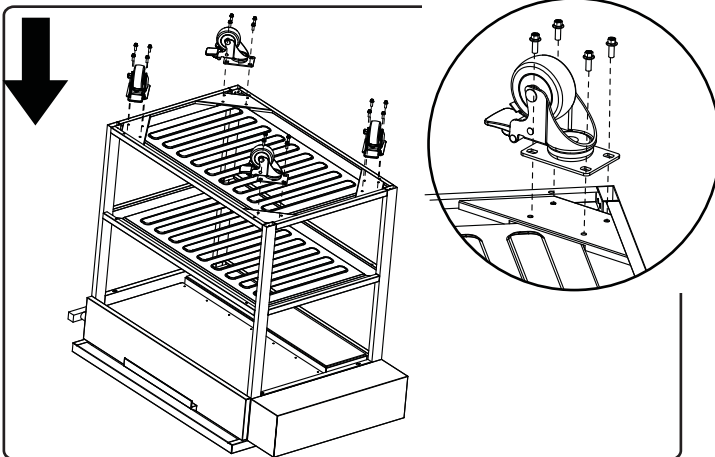


16 X Hex Washer Bolt

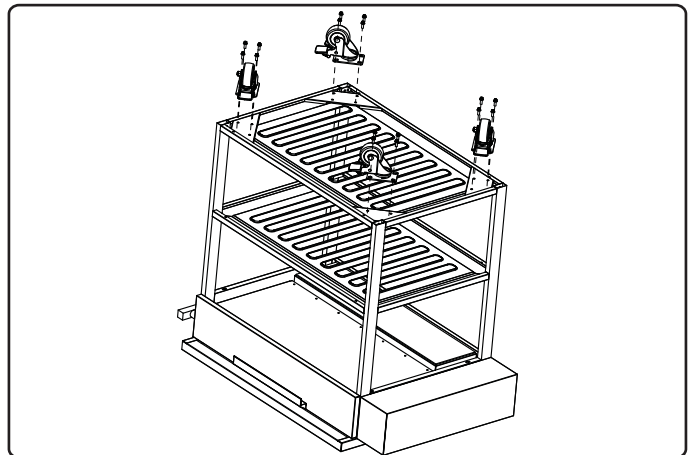
1 Flip cart upside down, locate holes on corner brackets.



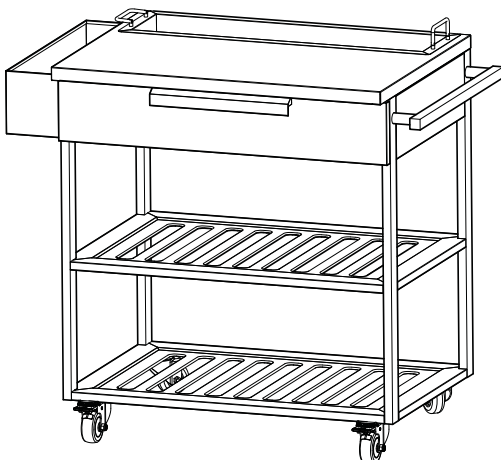
2 Align foot with holes on crossbeam. Screw in Hex bolts with washer and lock washer.



3 Repeat step 2 for each corner.

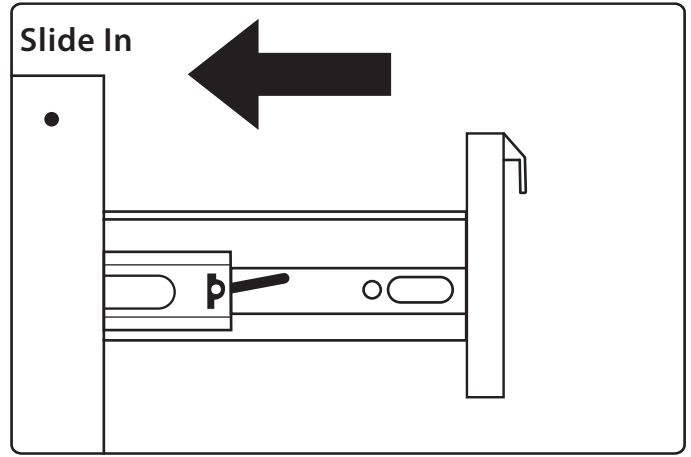
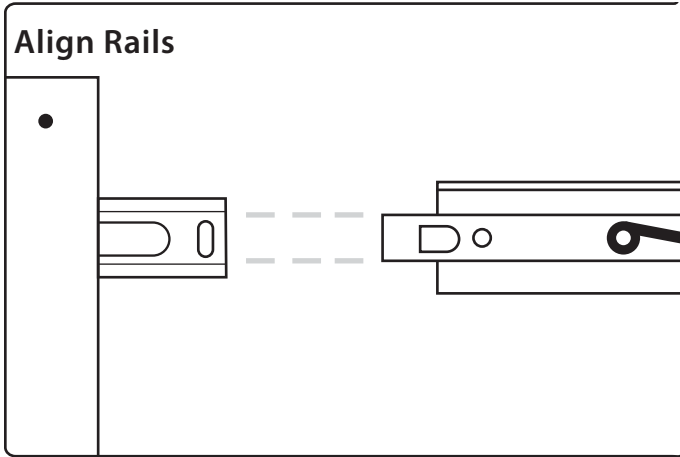


4 Stand cart upright.

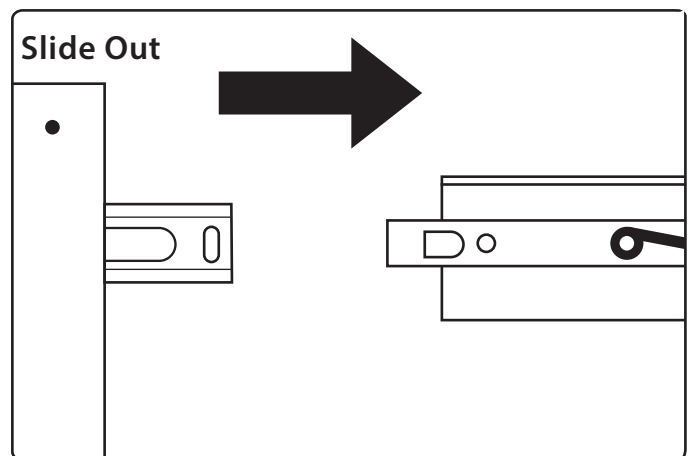
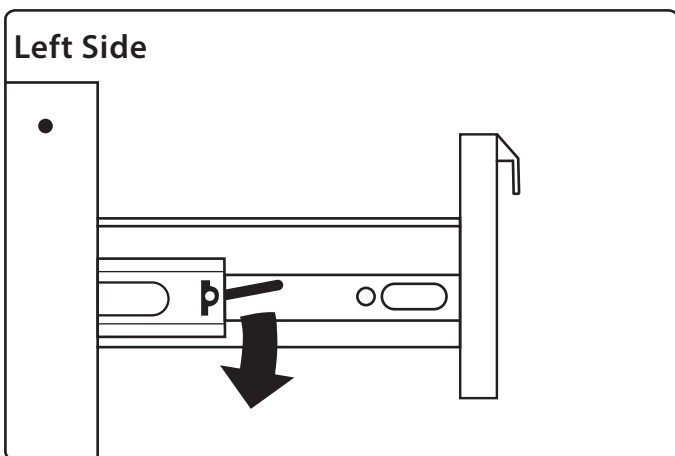
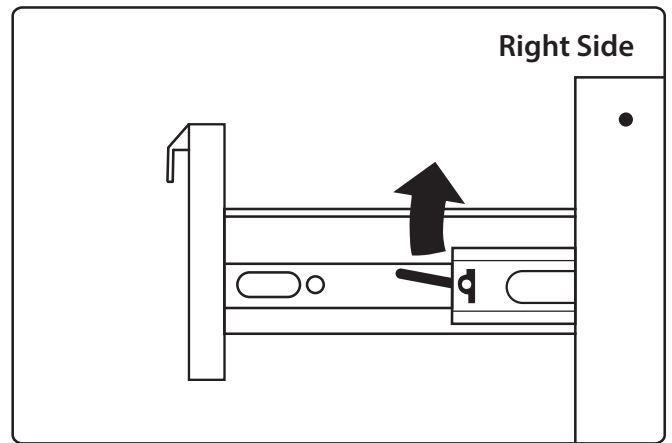


Installing the Drawers

Inserting Drawers.

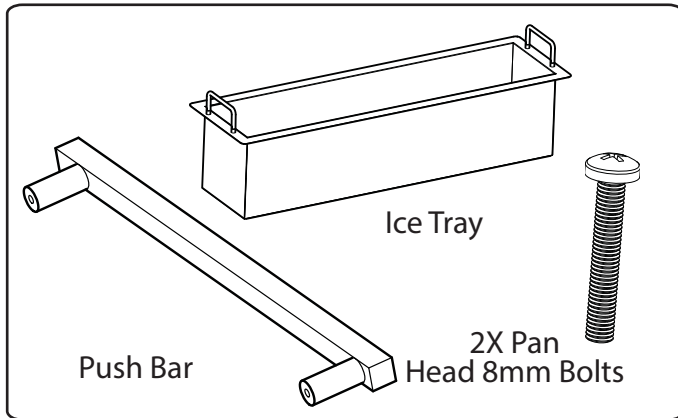


Removing Drawers.



Installing the Push Bar, Ice Tray, Liquor Rail

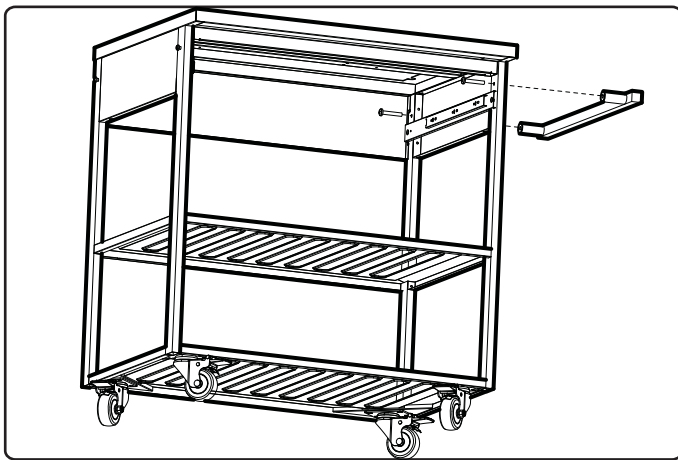
i Parts Needed.



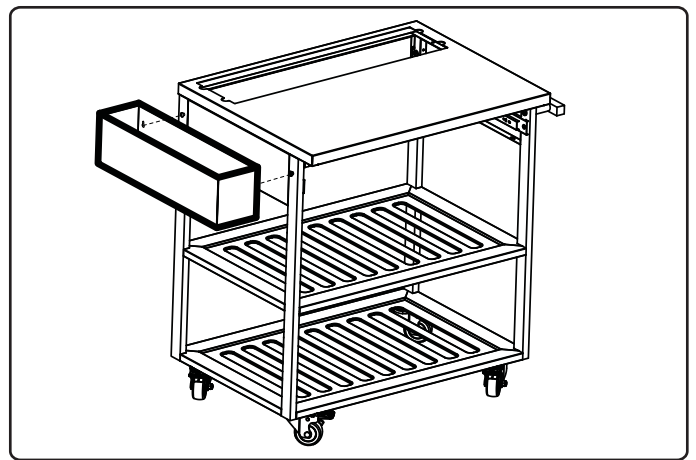
1 Push handle should be attached by two locations



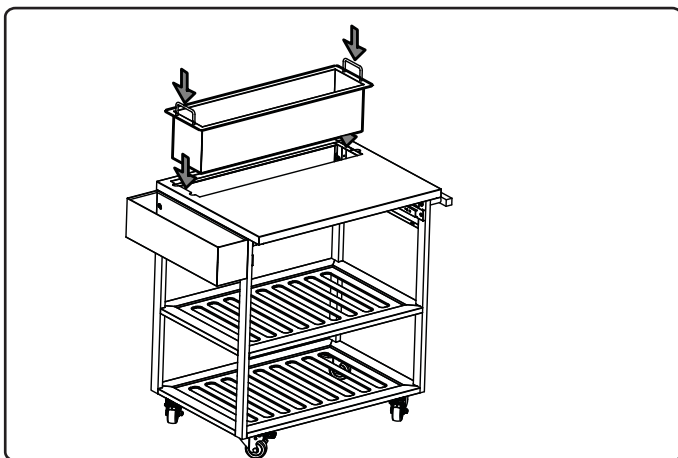
2 Tighten 2 x 8mm x 60mm bolts. In locations shown here.



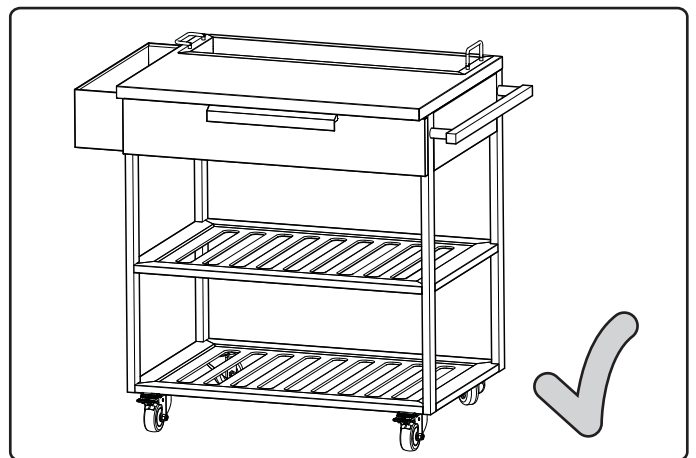
3 Add Liquor Rail by aligning bolt heads with keyhole slots in tray.

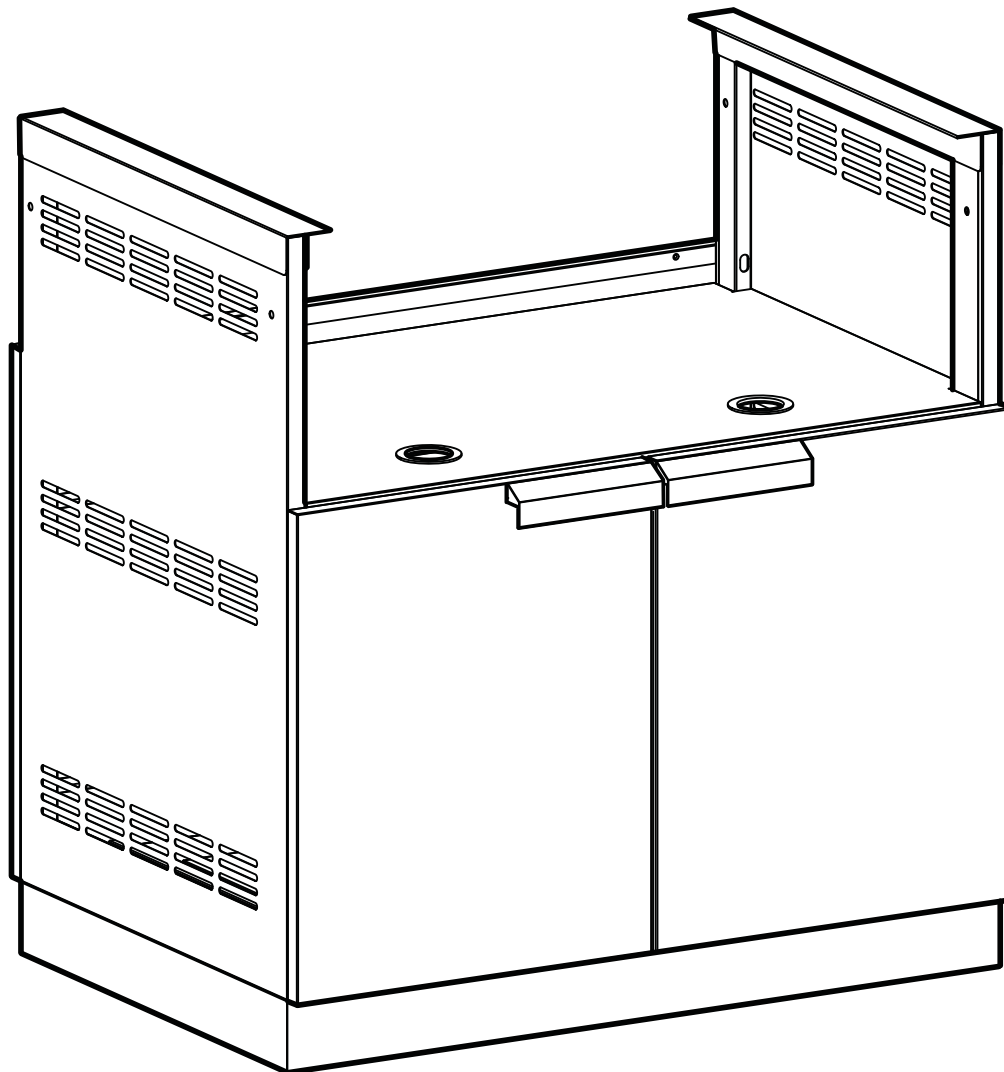


4 Add Ice tray using handles to drop into to cutout in cart top



5





OUTDOOR KITCHEN 33" BBQ Cabinet SS

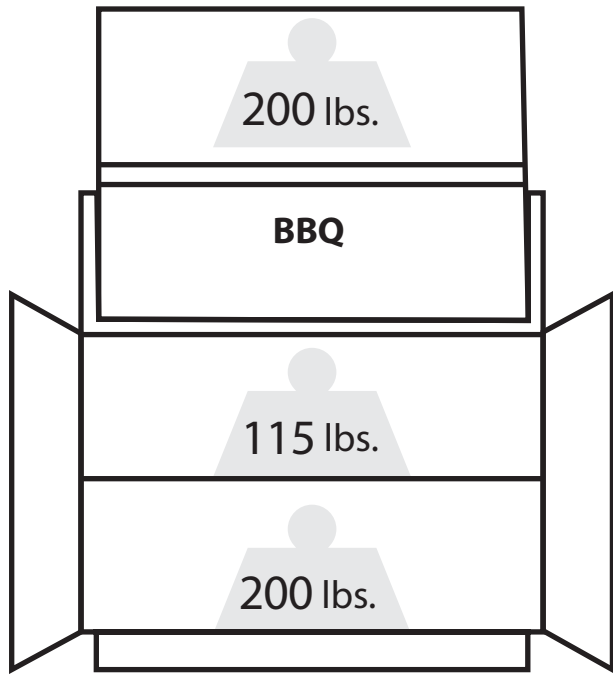


Warning: Excessive weight hazard!

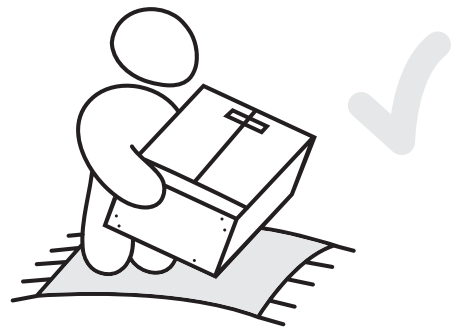
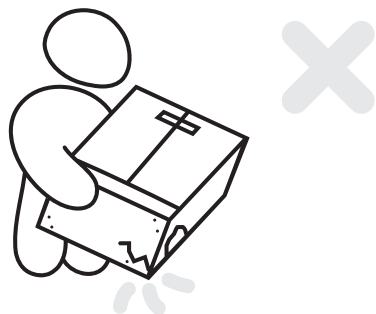
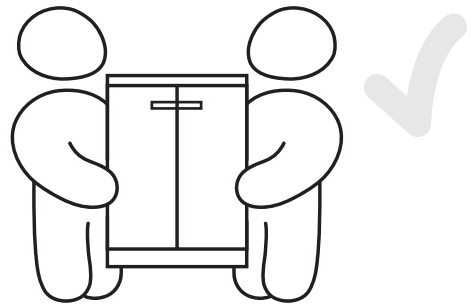
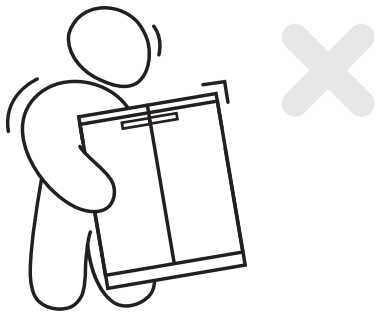
Use two or more people to move, assemble or install cabinets and shelves to avoid back injury.
Do not leave children unattended near cabinets.

For assistance, call 1.877.306.8930; for UK 0800.031.4069; e-mail at info@newageproducts.com

Weight Capacity



33" - BBQ SS
Max 515 lbs.

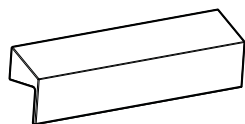


Unpacking

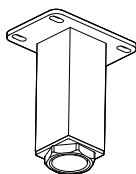
- Begin by placing the package on a protected flat surface.
- Remove all cardboard, foam packaging material and clear plastic bags.
- Dispose / recycle all packaging materials.
- Verify all the contents in the box and gather the required tools. See "Parts" and "Tools Needed" in the list below.

Parts Supplied

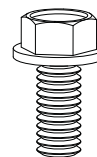
	BBQ Cabinet
Height-Adjustable Aluminum Legs	4
Hex Bolt (M6 x 25mm)	16
Hex Nuts (M5)	4
Hex Bolt (M5 x 50mm)	4
Handle Bolts (M4 x 30mm)	4
Aluminum Plated Handles	2
Leg Adjustment Wrench	1



2 x Handles



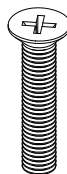
4 x Height-Adjustable Aluminium Leveling Legs



4 X Hex Bolts (M6 x 25mm)



4 X Hex Nuts (M5)



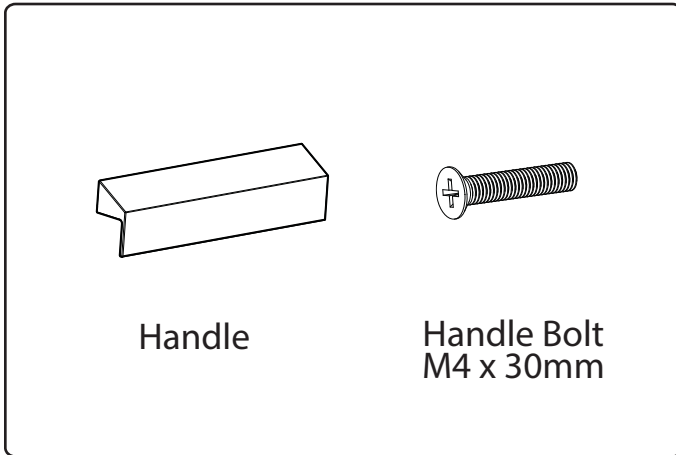
4 x Handle Bolts (M4 x 30mm)



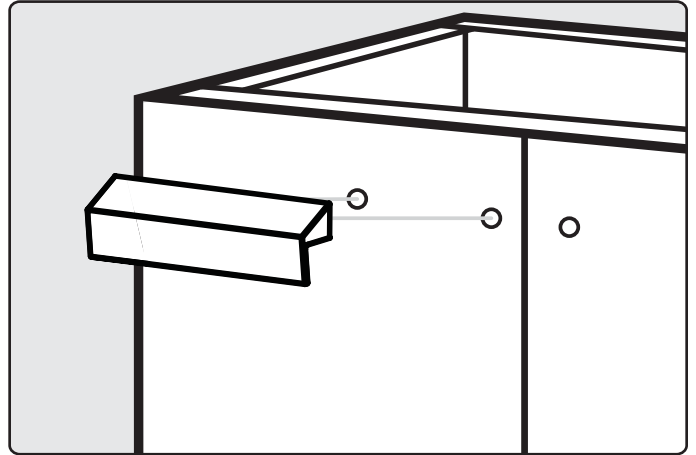
4 X Hex Bolt (M5 x 50mm)

Installing the Handles

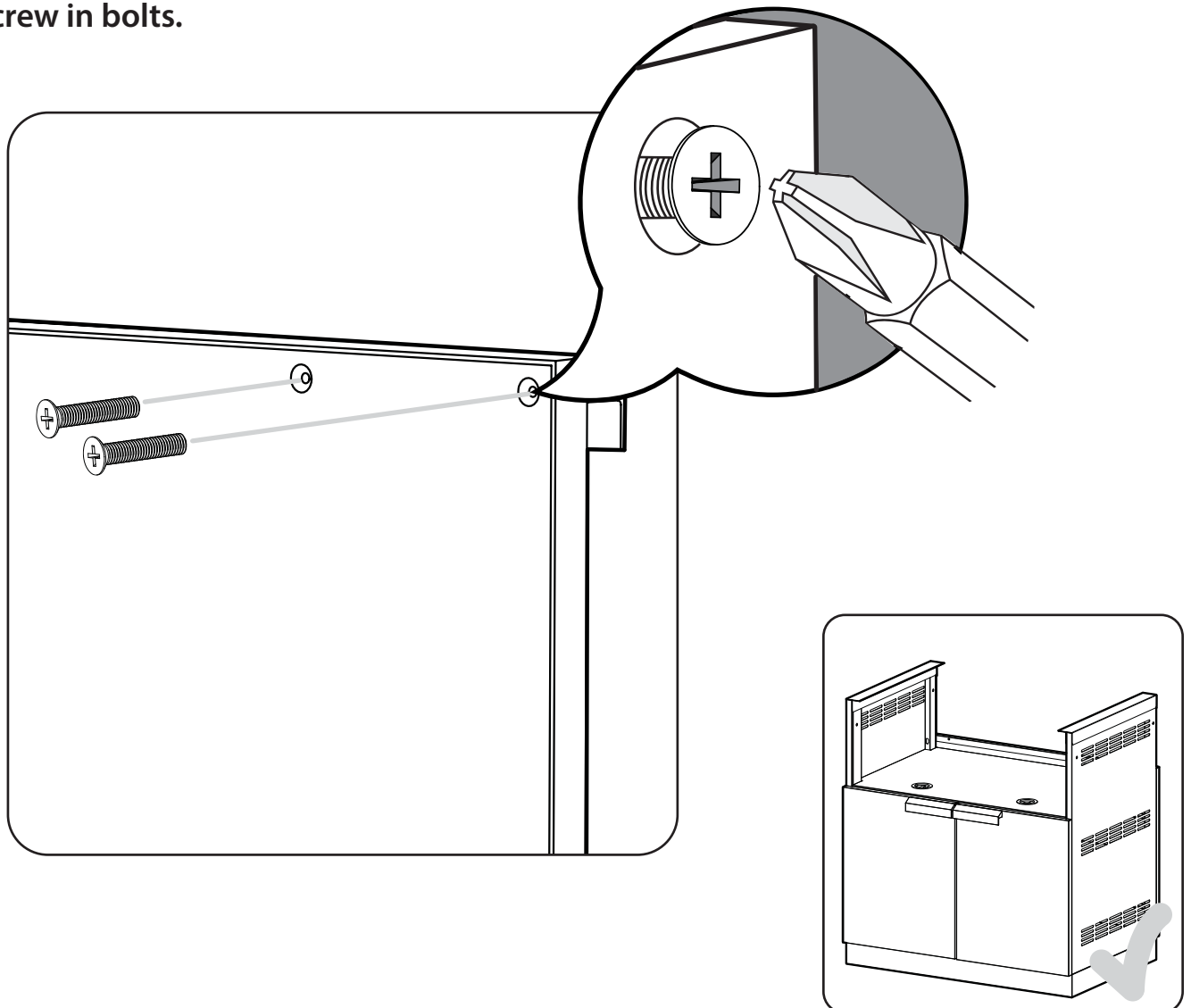
1 Parts Needed.



2 Align handle to holes on doors or drawers.

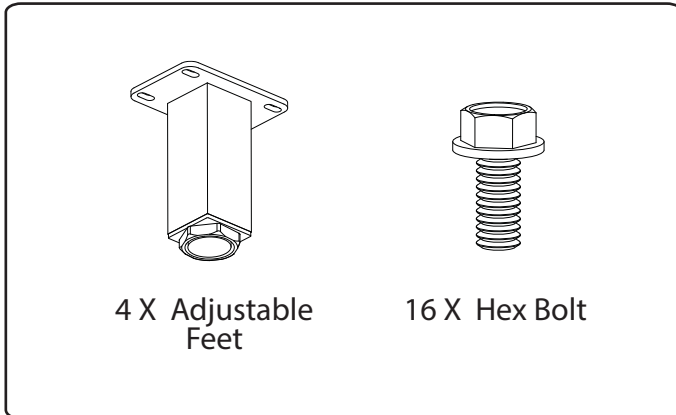


3 Screw in bolts.

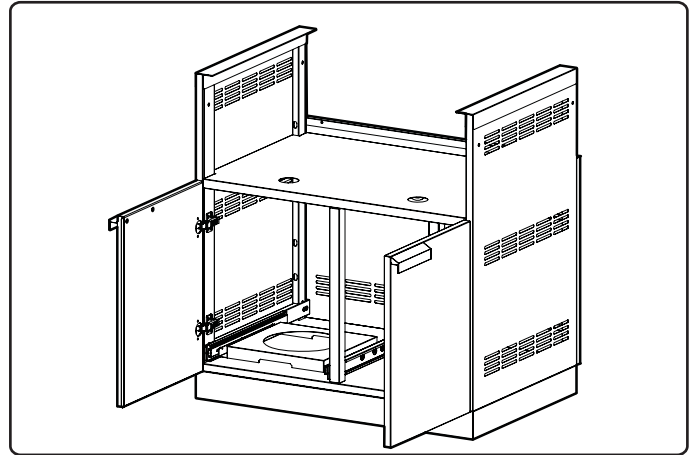


Installing the Feet (Optional)

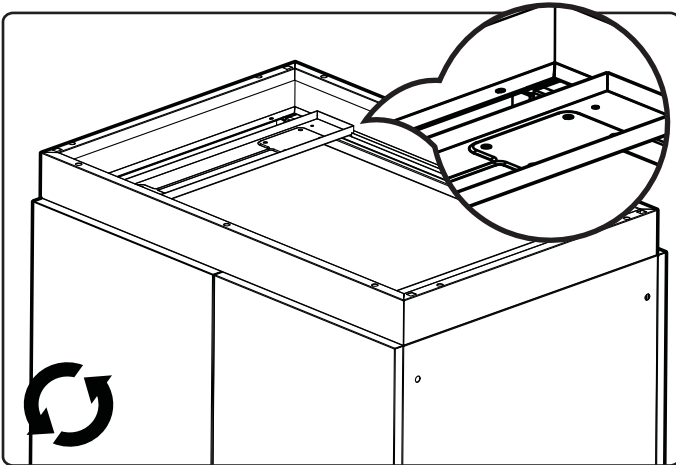
i Parts Needed.



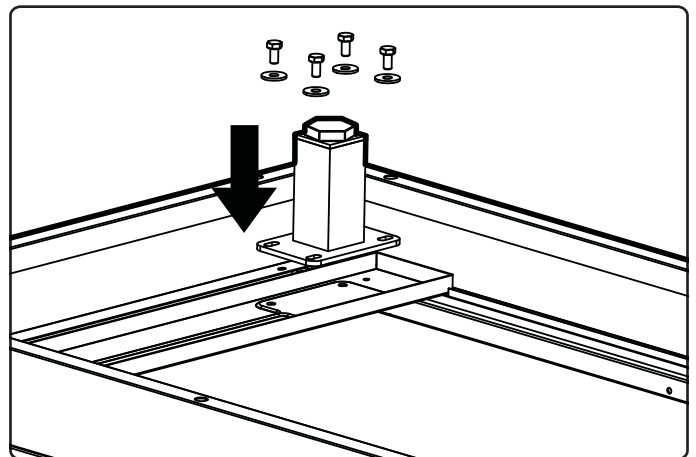
1 Open cabinet, remove any loose items.



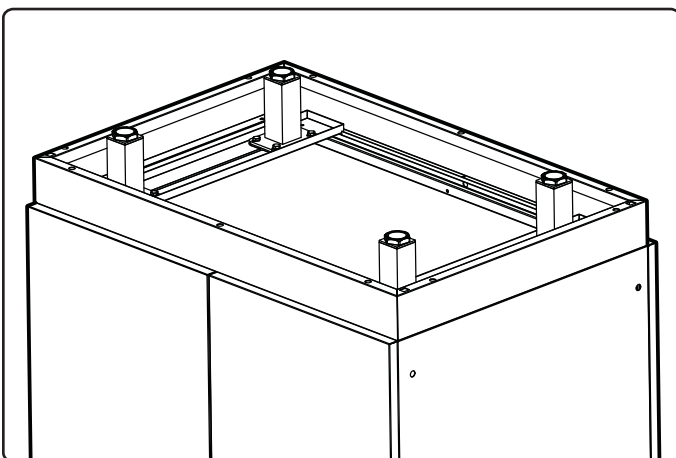
2 Flip cabinet upside down, locate holes on crossbeam.



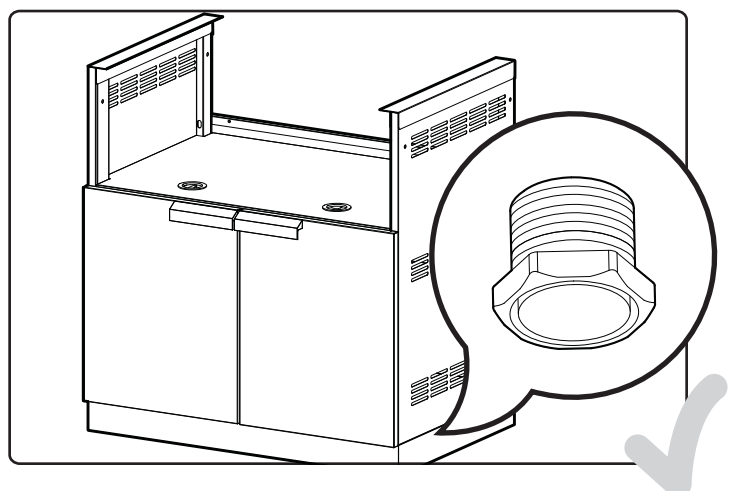
3 Align foot with holes on crossbeam. Tighten in Hex bolts.



4 Repeat steps 2-3 for each corner.

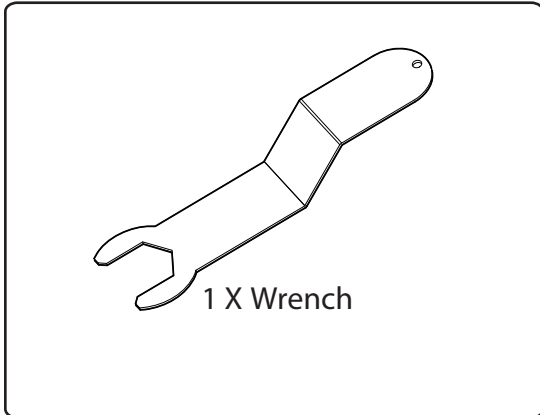


5 Stand cabinet upright. To level and adjust legs go to next step.

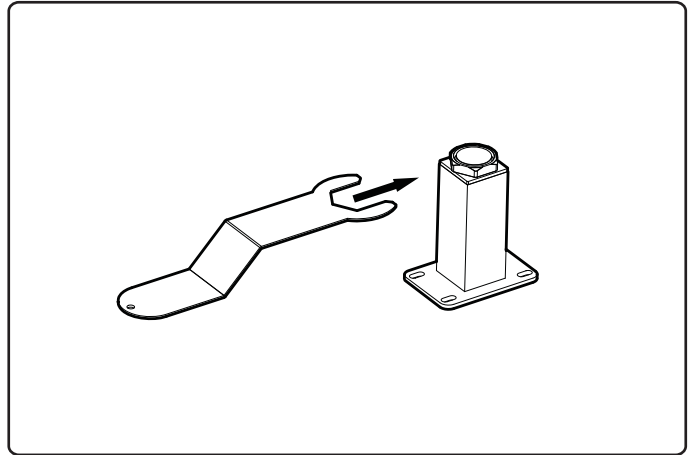


Levelling the Legs

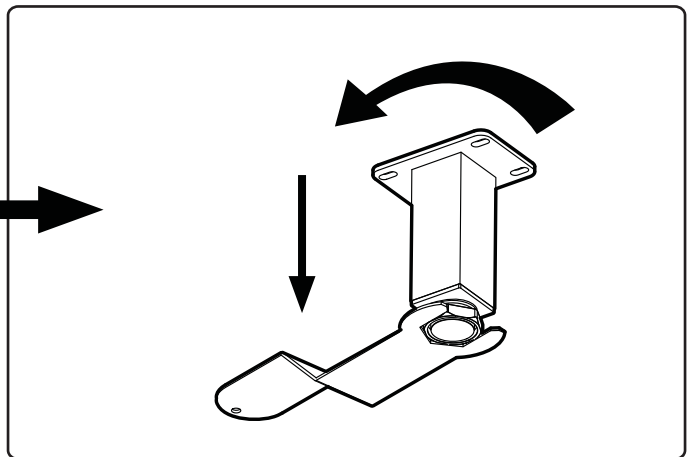
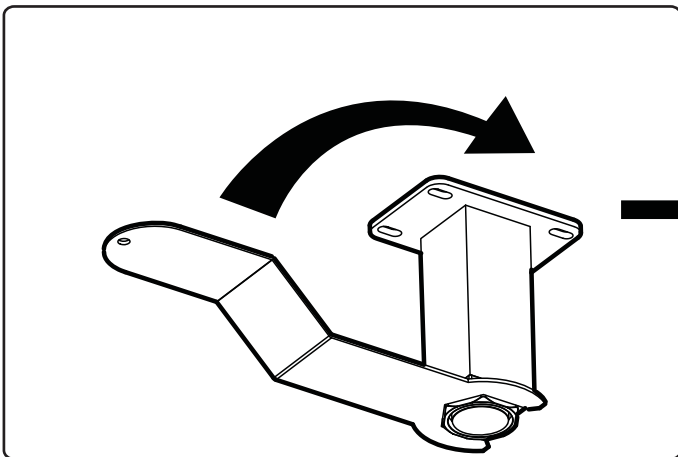
i Parts Needed.



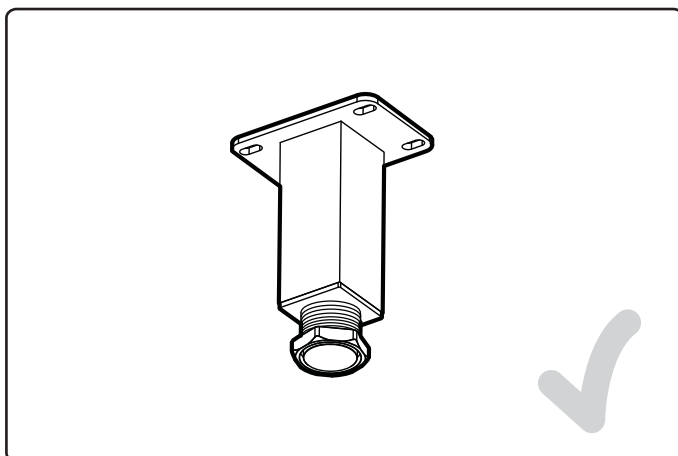
1 Use wrench to level cabinet and adjust height.



2 Rotate wrench to lower or raise corner of cabinet.

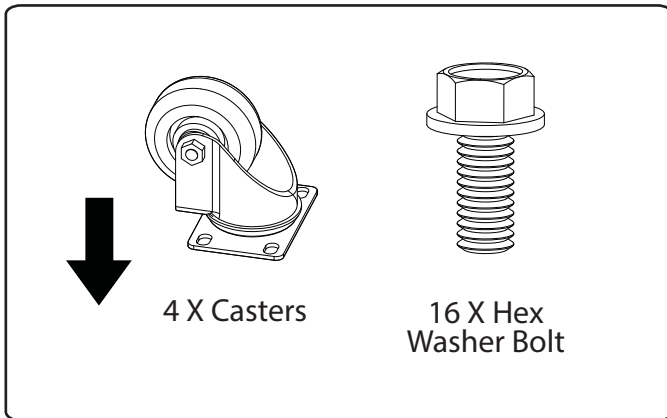


3 Repeat step 1-3 for each corner.

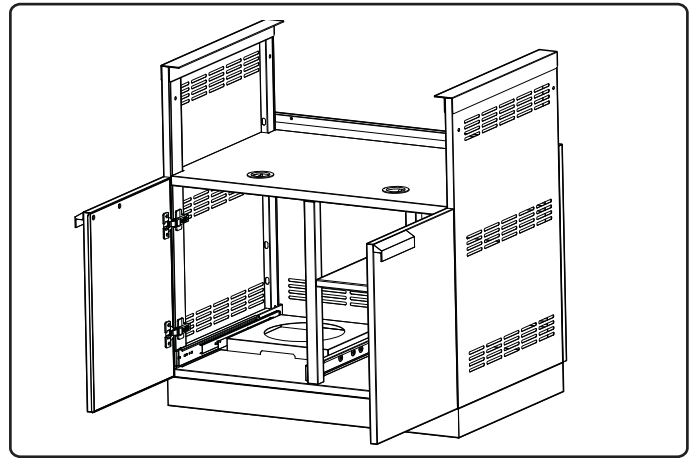


Installing the Casters (Optional)

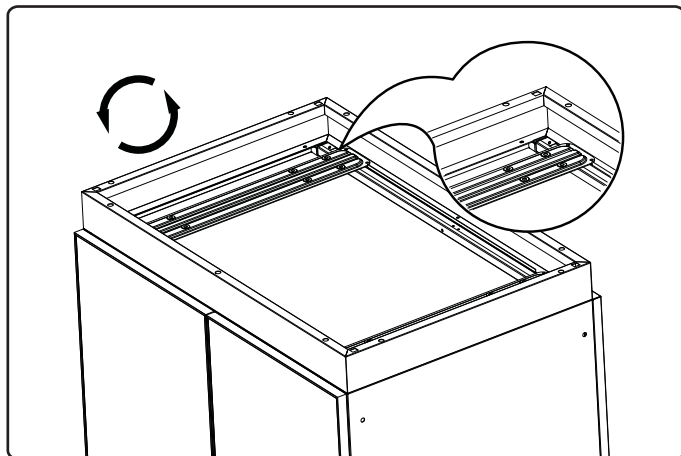
i Parts Needed.



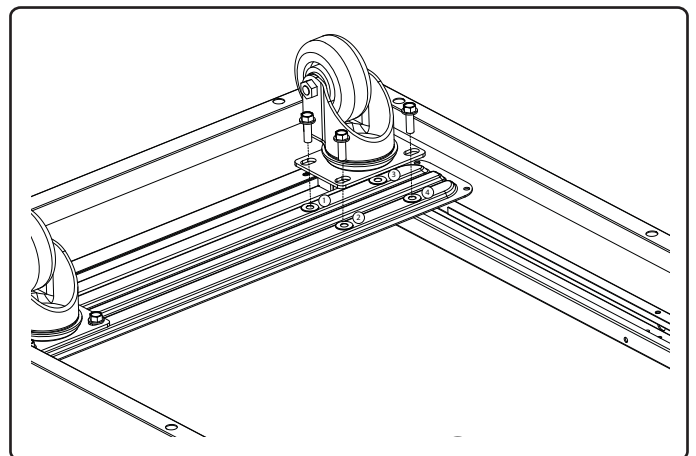
1 Open cabinet, remove any shelves or loose items.



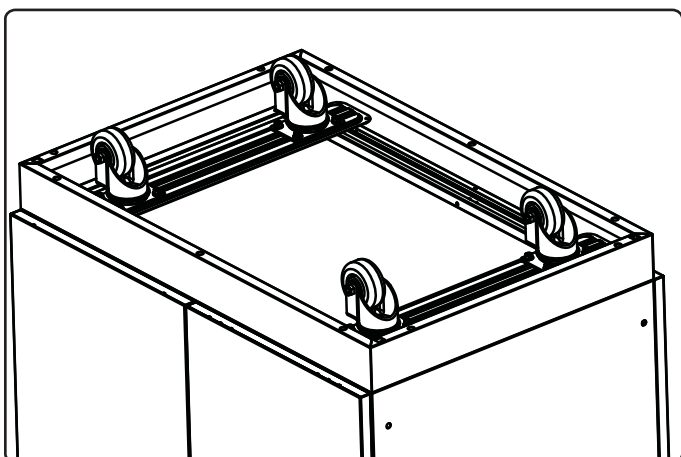
2 Flip cabinet upside down on protected surface and locate holes on crossbeam.



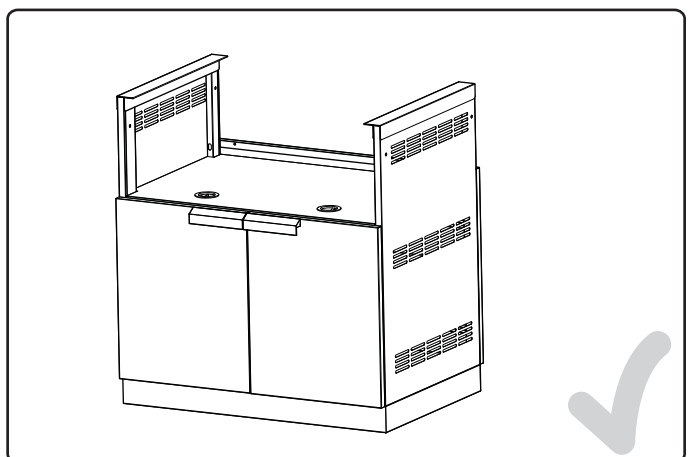
3 Align caster with holes on crossbeam. Tighten in Hex bolts .



4 Repeat step 3 to install all casters



5 Stand cabinet upright.

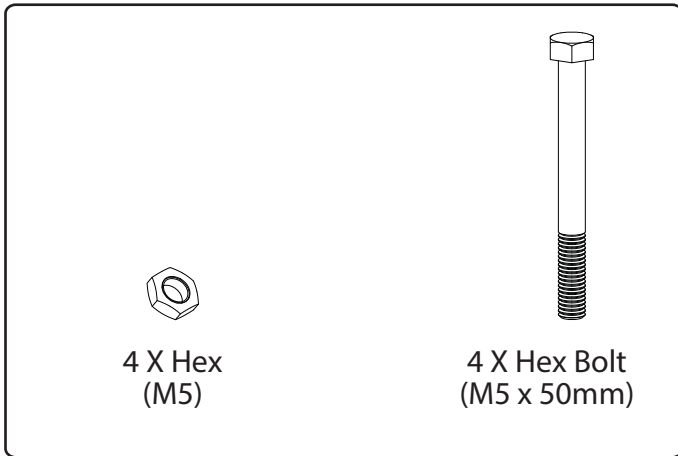


Fastening Cabinets

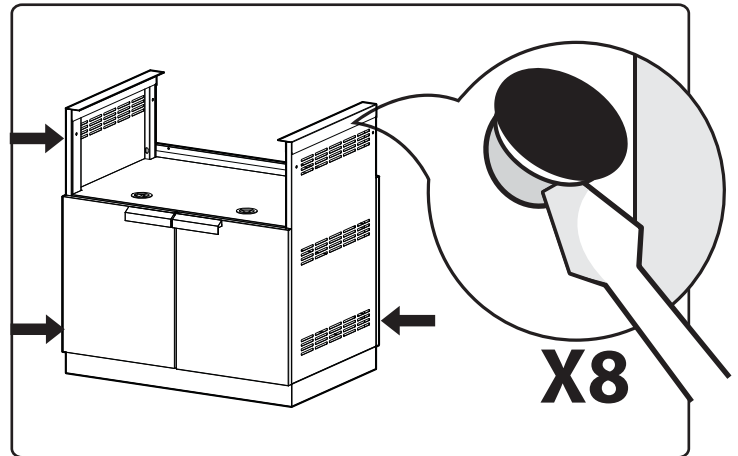
Note:

All doors and drawers must be removed prior to fastening cabinets together.

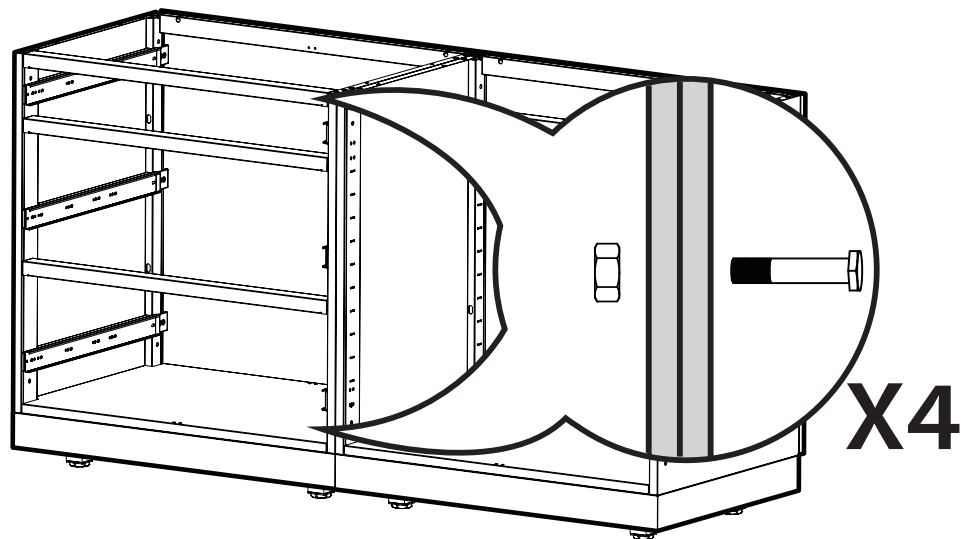
1 Parts Needed.



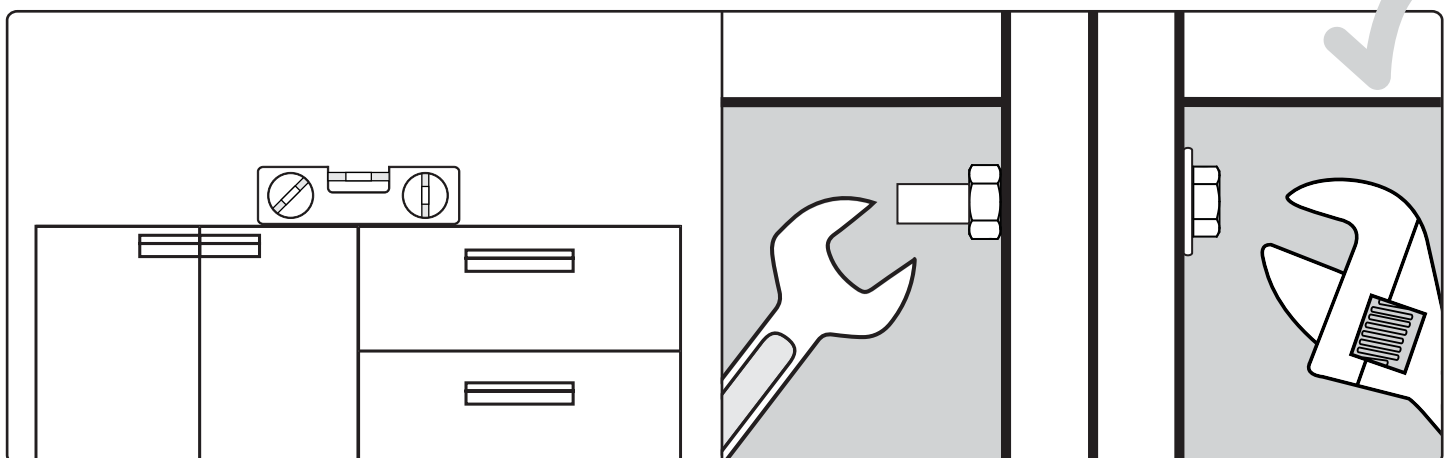
2 Remove plastic caps from cabinets.



3 Align bolts, tighten lightly.

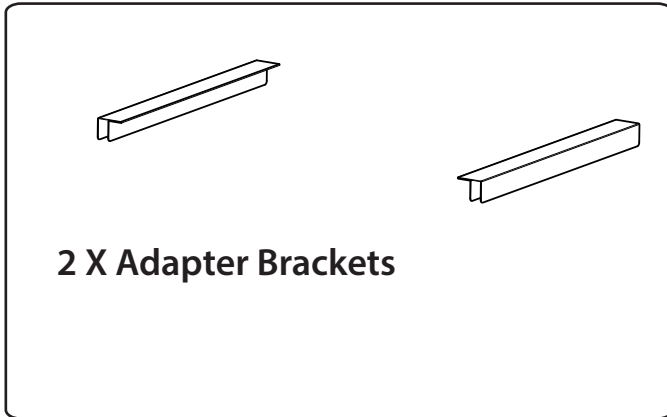


4 Level cabinets and tighten all bolts.

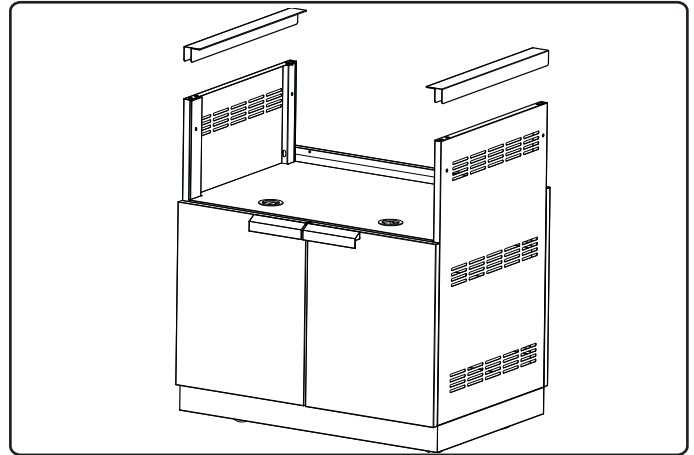


Installing the BBQ

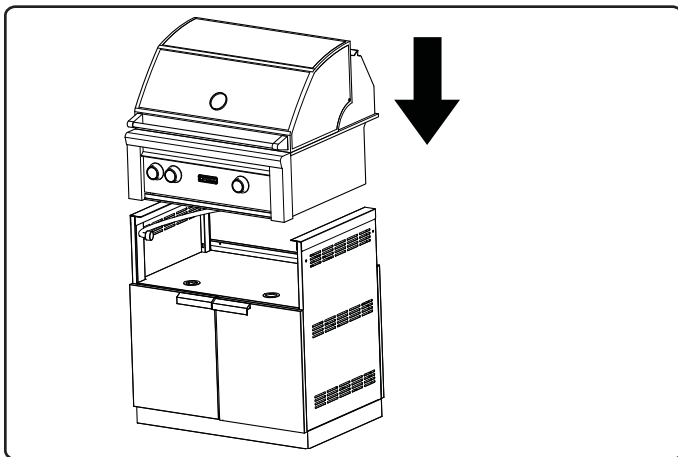
i Parts Needed.



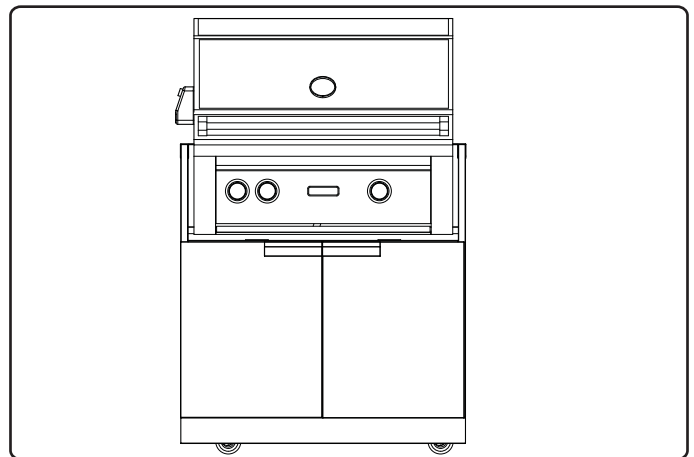
1 You may or may not need the adapter brackets depending on the model BBQ you choose



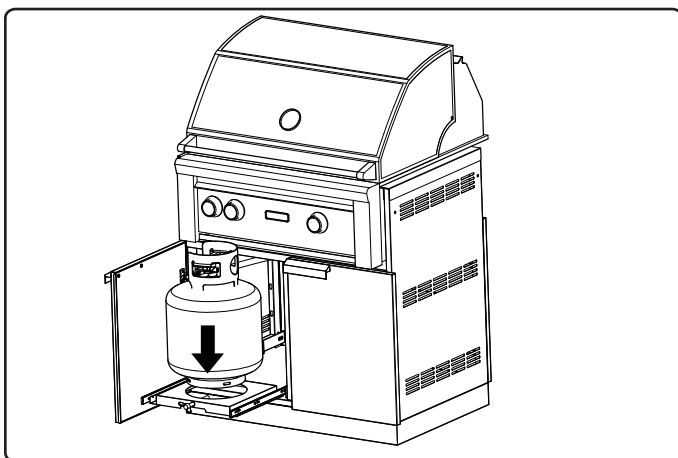
2 Place BBQ so that the rails touch the Brackets



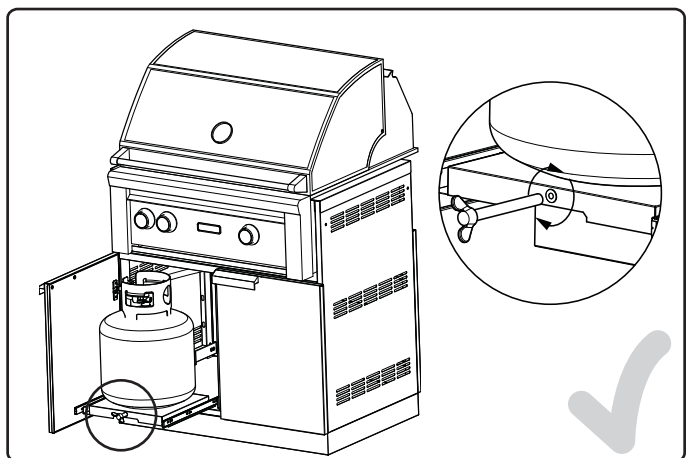
3 Once the BBQ is centered on the Cart lift up edges of BBQ and Dab a little silicone on the rails to hold it in place



4 Place the propane tank in the ring of the tank tray. Rotate tank until bottom slot aligns with wingnut bolt.



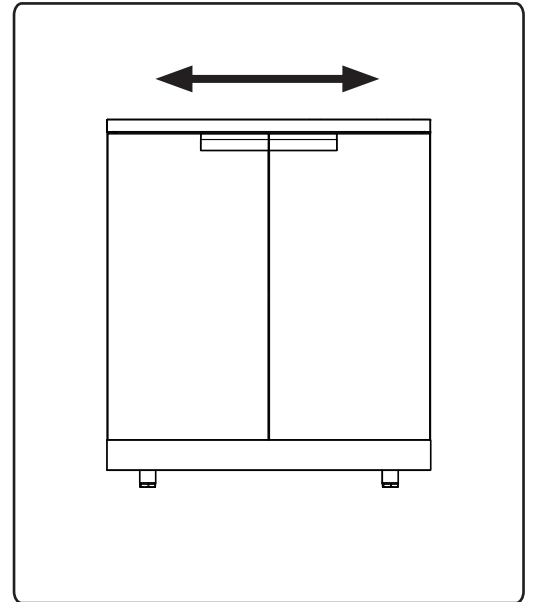
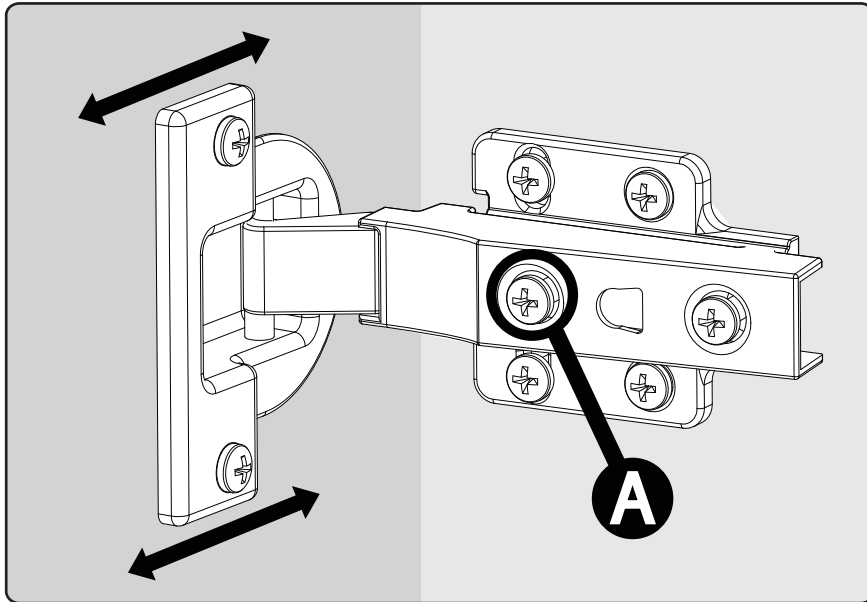
5 Turn Wing nut bolt until it is seated in tank slot at bottom of tank.



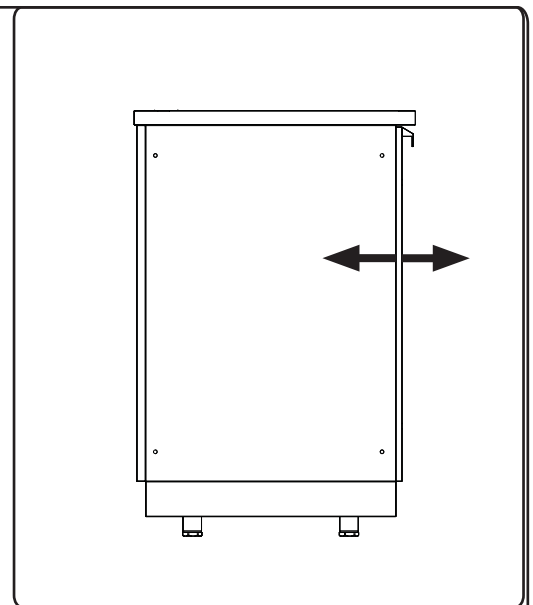
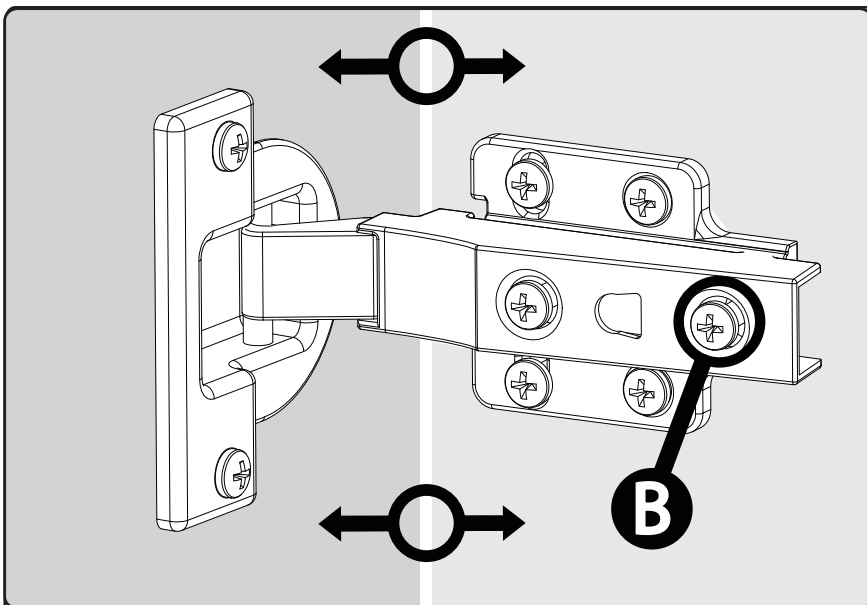
Adjusting The Door Hinges

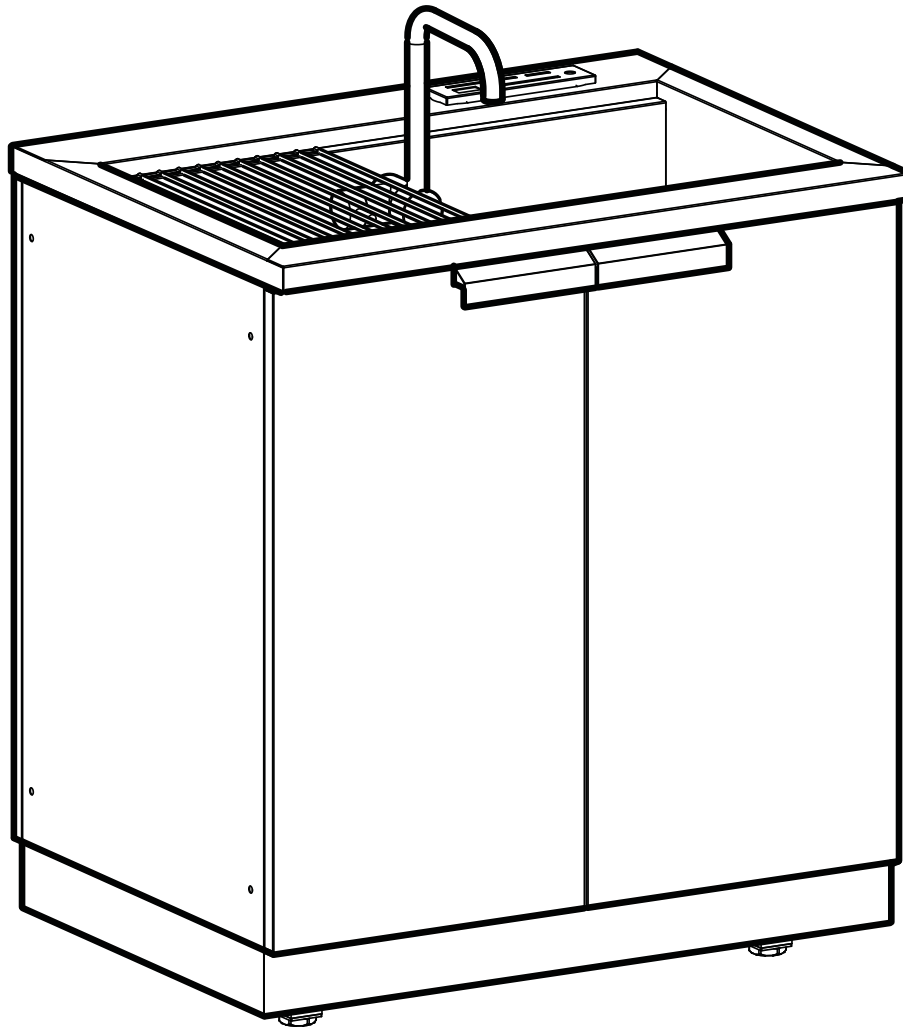
Using a Philips screwdriver, the doors can be adjusted:
Left, right, forwards and backwards.

- 1** To adjust the doors left or right, turn the screw (A) clockwise or counterclockwise.



- 2** To adjust the gap between the doors and frame, turn the screw (B) clockwise or counterclockwise.





OUTDOOR KITCHEN 32" Sink Base SS



Warning: Excessive weight hazard!

Use two or more people to move, assemble or install cabinets and shelves to avoid back injury.

Do not leave children unattended near cabinets.

For assistance, call 1.877.306.8930; for UK 0800.031.4069; e-mail at info@newageproducts.com

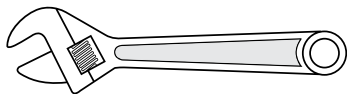
OTHER NOTES TO CONSUMER:

Discoloration due to the high heat, for example beside a grill, is a trait of stainless steel and is not covered. Surface rust resulting from acid rain or environmental chemicals are not covered. (Please see maintenance information to combat surface rust). NewAge outdoor powder coated finishes are designed to withstand weathering and are UV stable.

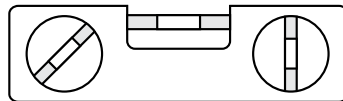
The 304 stainless steel material used in the construction of NewAge Outdoor Kitchen Cabinets is highly rust resistant, however, chlorine in the air from swimming pools or the salt from sea air may cause surface rust to appear and even create some pitting corrosion if left on the product. We strongly recommend a suitable maintenance tested product. We suggest cleaning all stainless steel surfaces at least every two weeks to keep your cabinets in prime condition. The chemical reaction from salt is easy to prevent however it is more difficult when left on the surface.

Additional product information is available at
<http://www.newageproducts.com/outdoor-kitchen-limited-warranty>

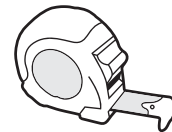
Tools Needed



1 x Adjustable wrench



1 x 24" Level



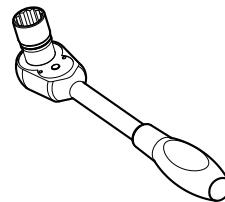
1 x Tape Measure



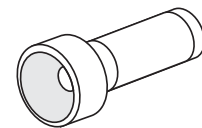
1 x 10mm Open end wrench



1 x 10mm socket



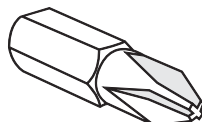
1 x Socket wrench



1 x Flashlight



1 x #2 Phillips head screwdriver

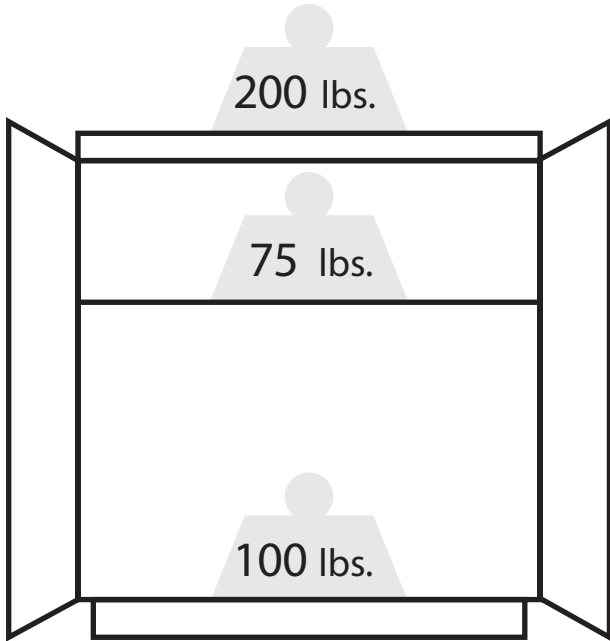


1 x #2 Phillips Bit



1 x Cordless Power Drill

Weight Capacity

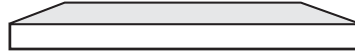


32" - Sink Cabinet
Max 375 lbs.

Worktops



32" Worktop. Fits over 1 Cabinet



56" Worktop. Fits over 1 Cabinet & Fridge nook.



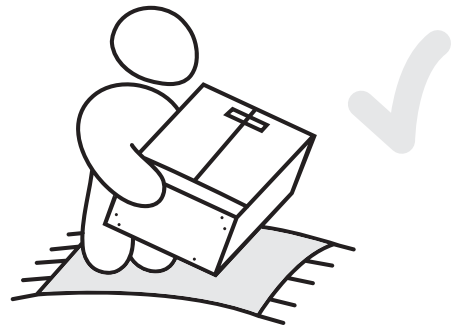
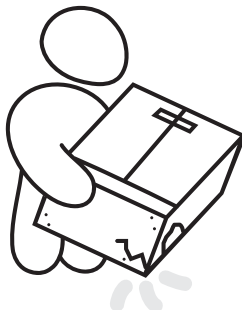
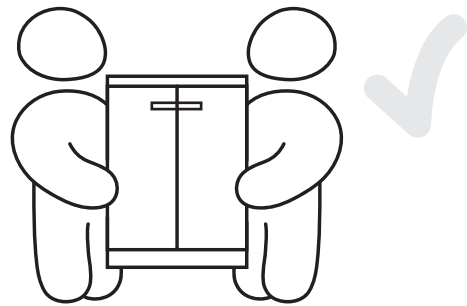
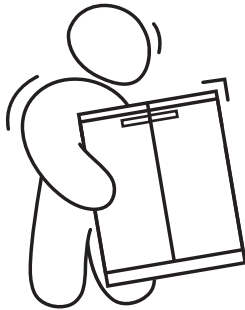
64" Worktop. Fits over 2 Cabinets



88" Worktop. Fits over 2 Cabinets & Fridge nook.



96" Worktop. Fits over 3 Cabinets

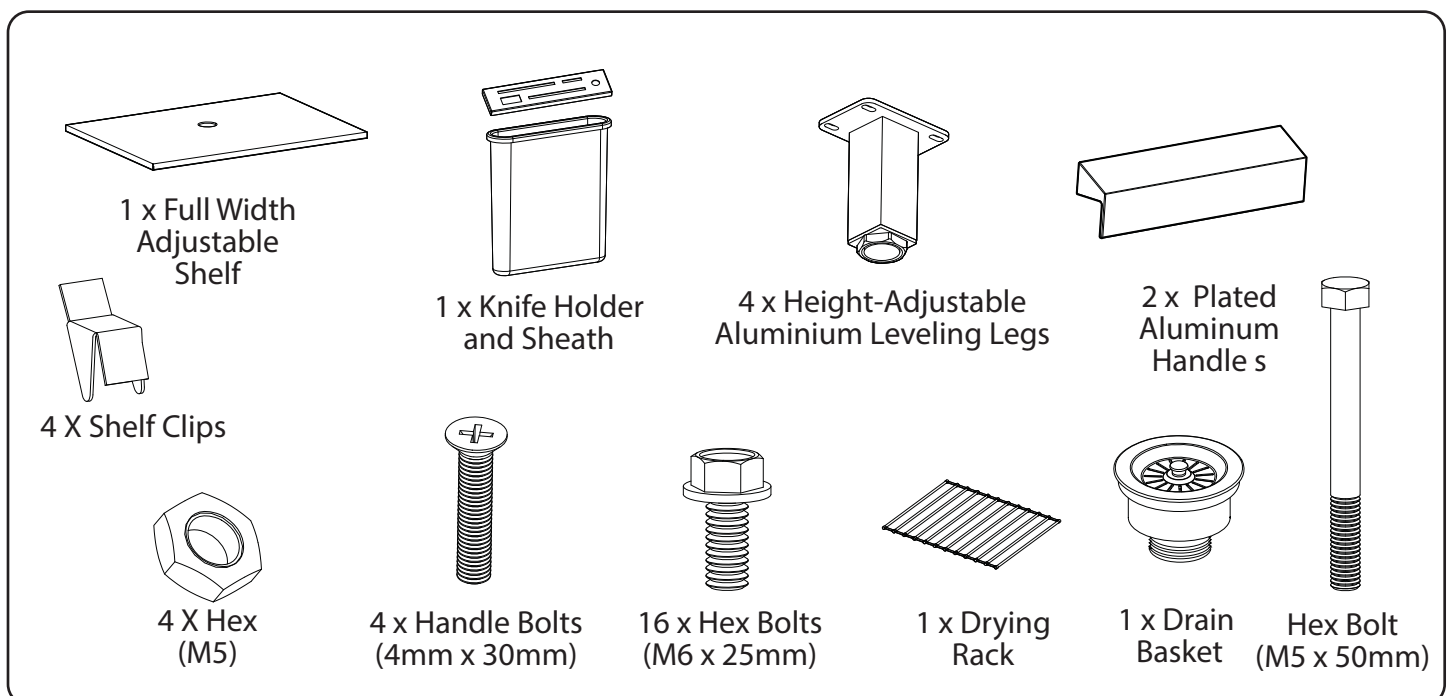


Unpacking

- Begin by placing the package on a protected flat surface.
- Remove all cardboard, foam packaging material and clear plastic bags.
- Dispose / recycle all packaging materials.
- Verify all the contents in the box and gather the required tools. See “Parts” and “Tools Needed” in the list below.

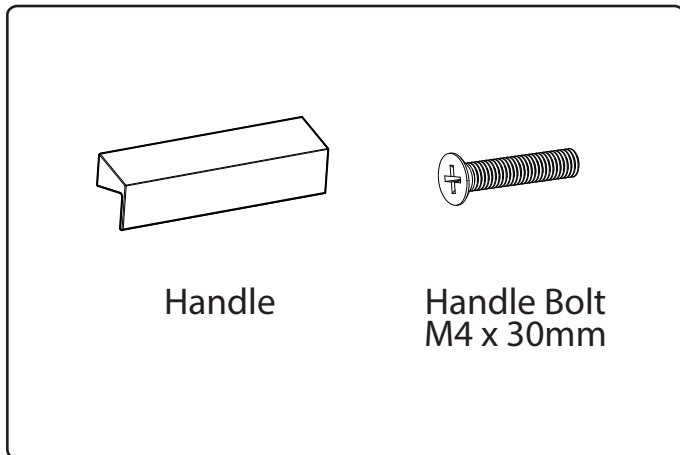
Parts Supplied

	Sink Cabinet
Height-Adjustable Aluminum Legs	4
Hex Bolt (M6 x 25mm)	16
Hex Nuts (M5)	4
Hex Bolt (M5 x 50mm)	4
Handle Bolts (M4 x 30mm)	4
Plated Aluminum Handles	2
Leg Adjustment Wrench	1
Adjustable Shelf	1
Shelf clips	4

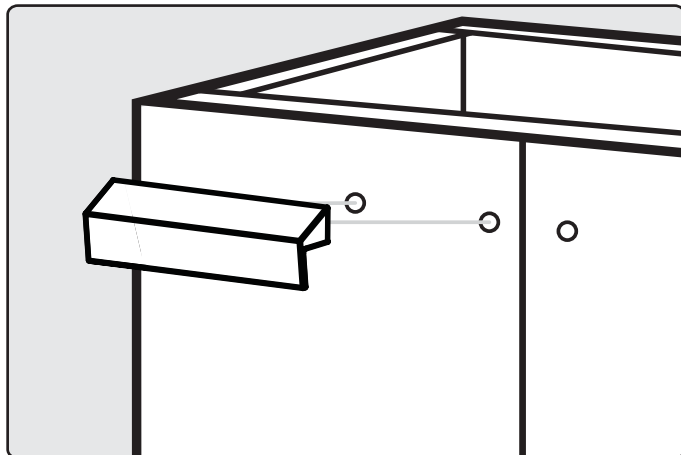


Installing the Handles

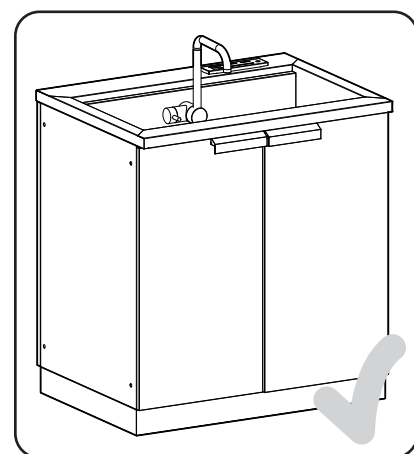
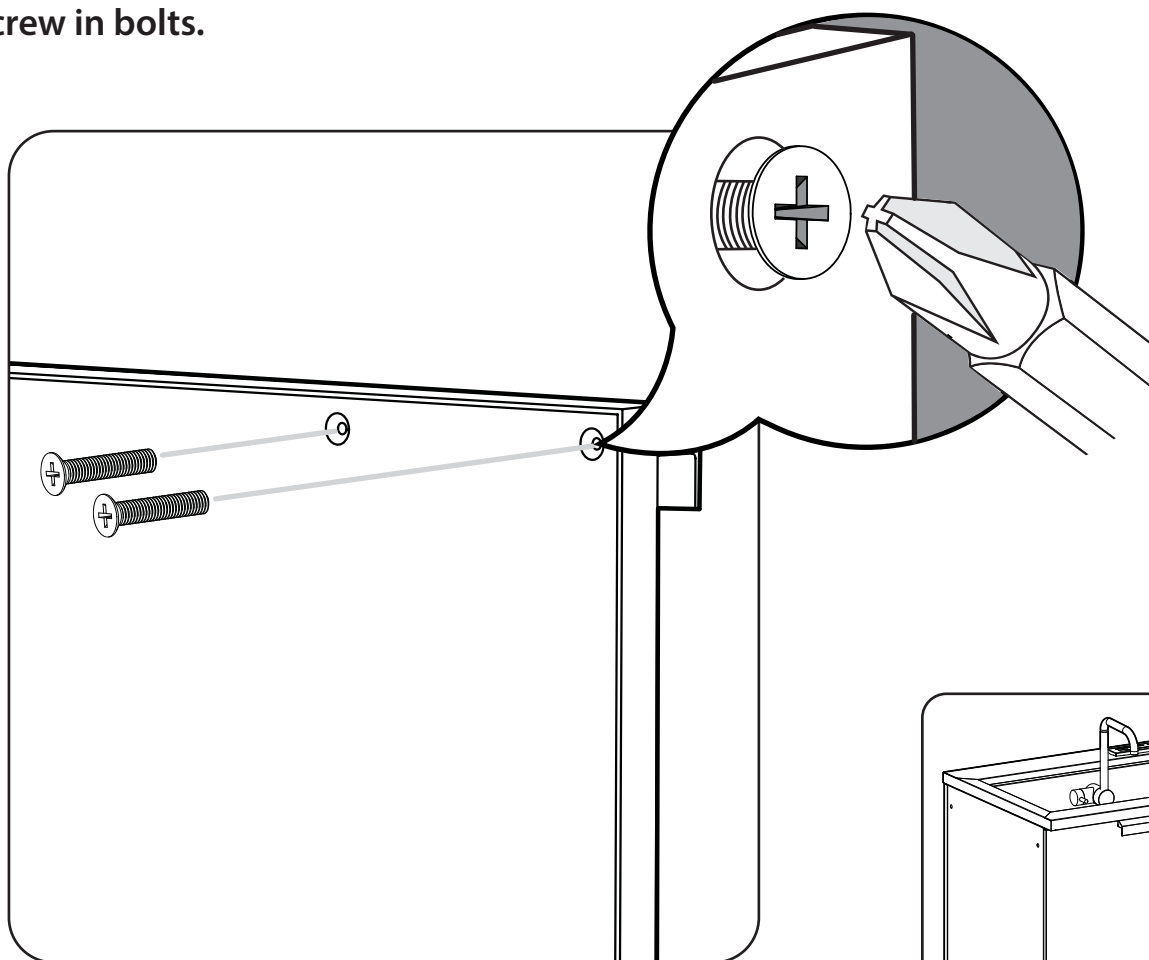
1 Parts Needed.



2 Align handle to holes on doors or drawers.

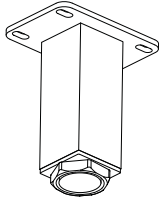


3 Screw in bolts.

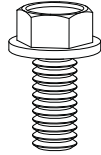


Installing the Feet

i Parts Needed.

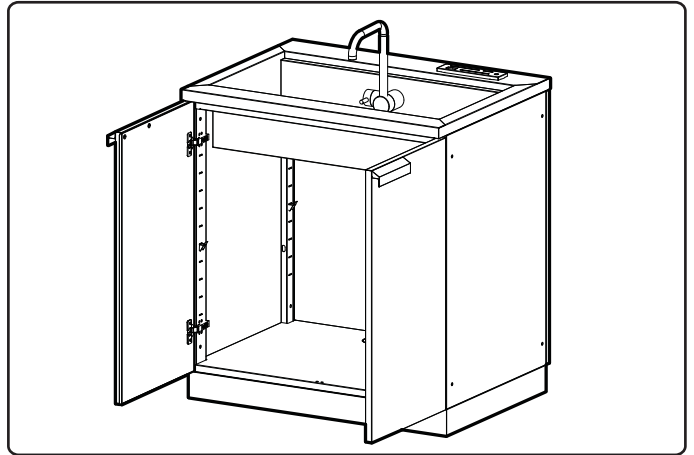


4 X Adjustable Feet

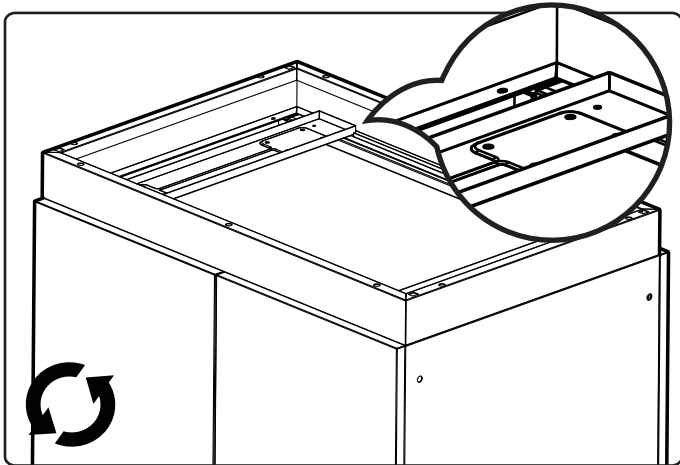


16 X Hex Washer Bolt

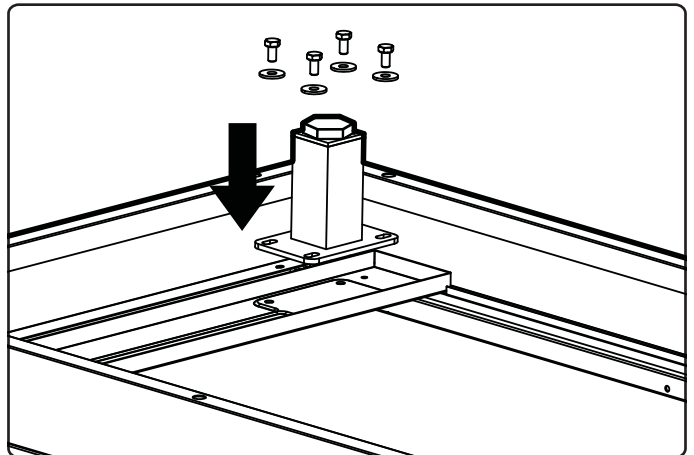
1 Open cabinet, remove any shelves or loose items.



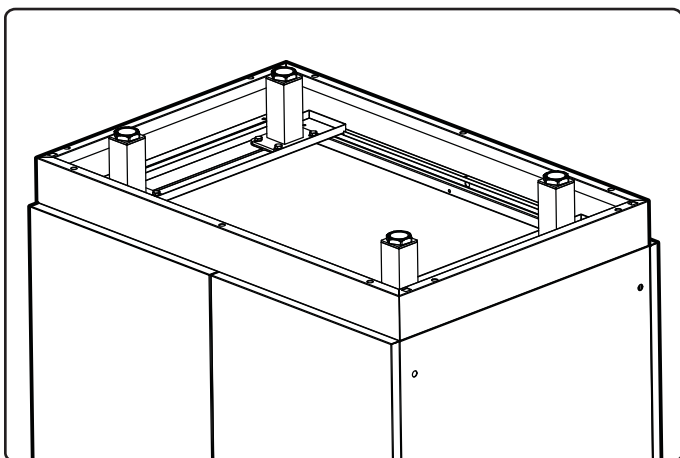
2 Flip cabinet upside down, locate holes on crossbeam.



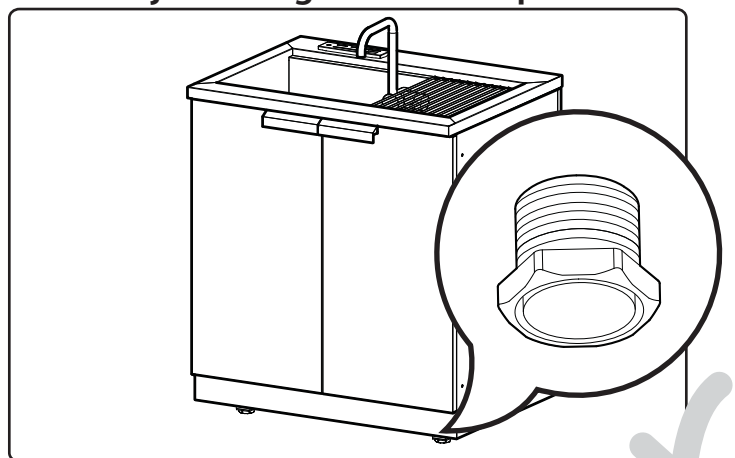
3 Align foot with holes on crossbeam. Screw in Hex bolts with washer and lock washer.



4 Repeat steps 2-3 for each corner.



5 Stand cabinet upright. To level and adjust feet go to next step.

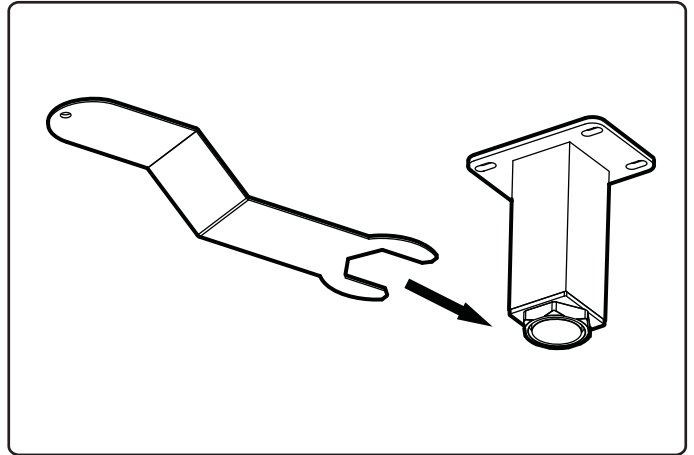


Levelling the Legs

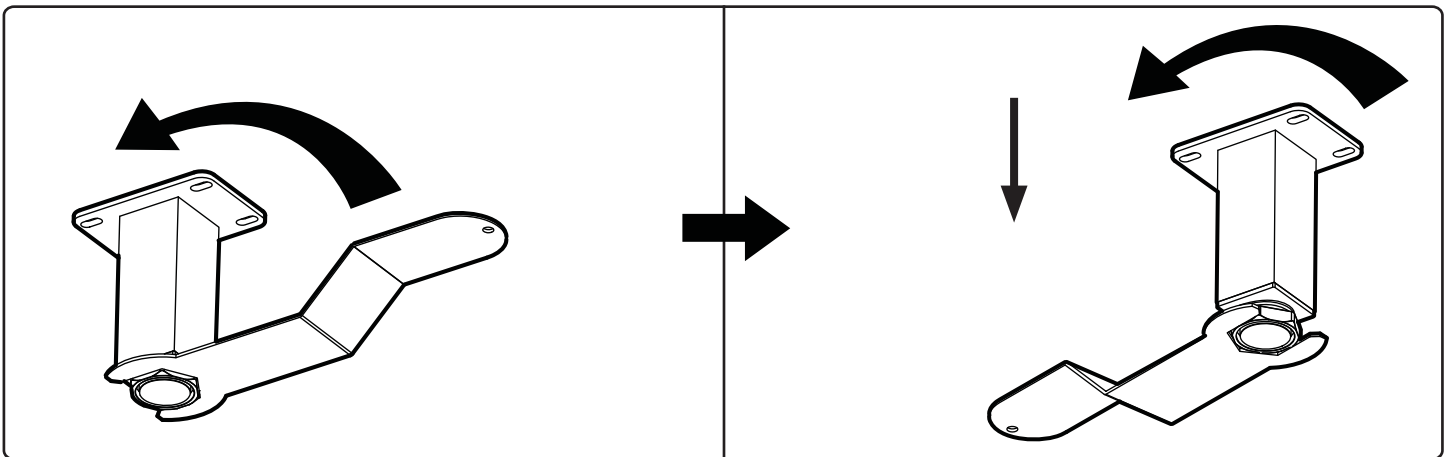
i Parts Needed.



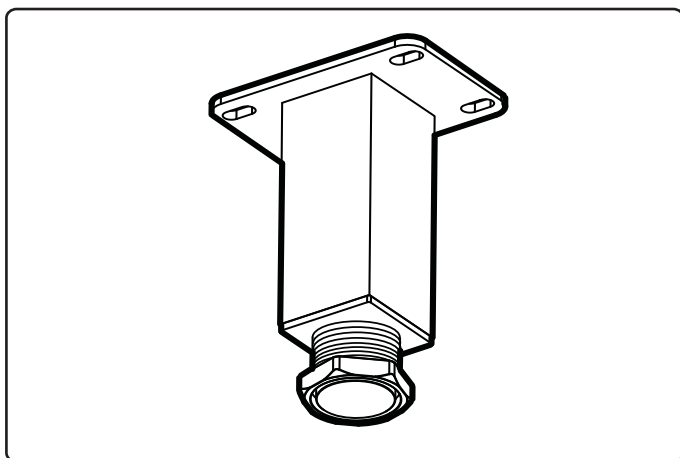
1 Use wrench to level cabinet and adjust height.



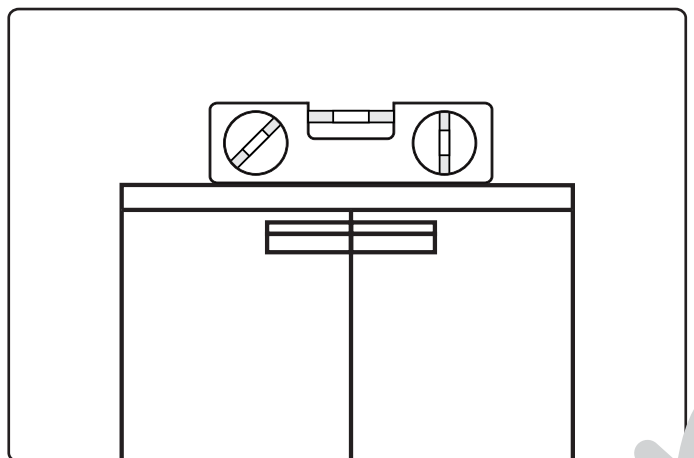
2 Rotate wrench to lower or raise corner of cabinet.



3 Repeat step 1-3 for each corner.

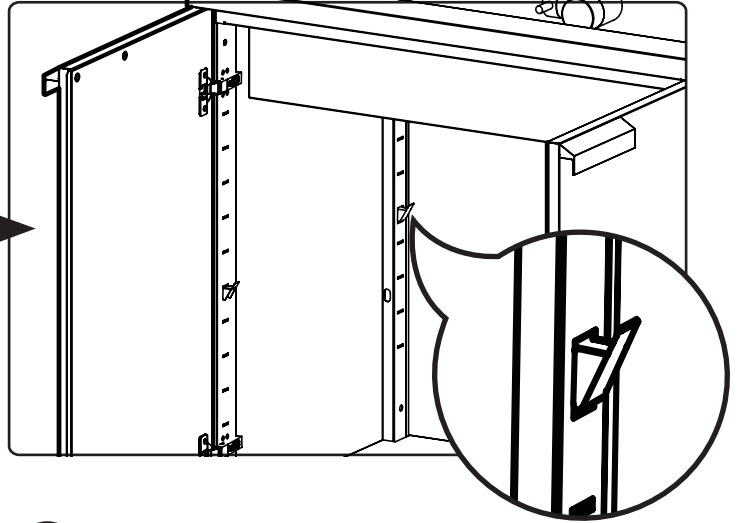
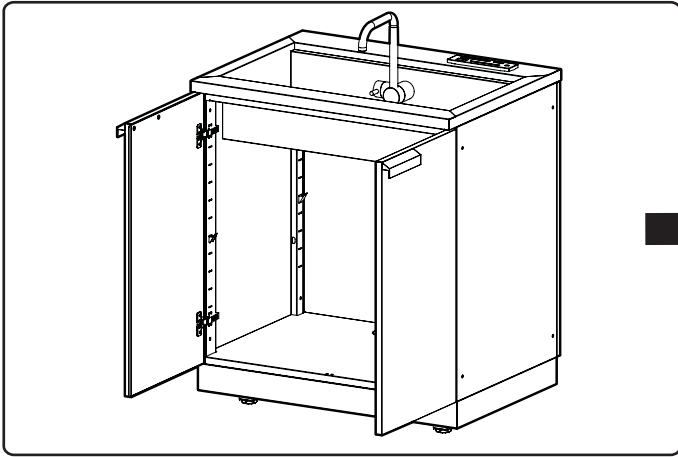


4 Level Cabinet.

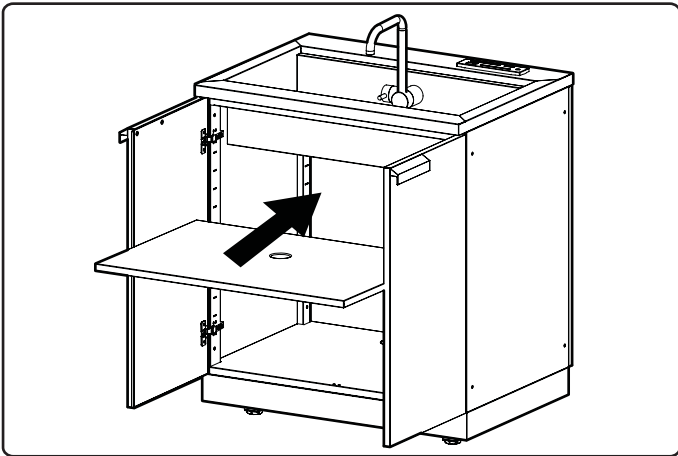


Inserting Cabinets Shelf

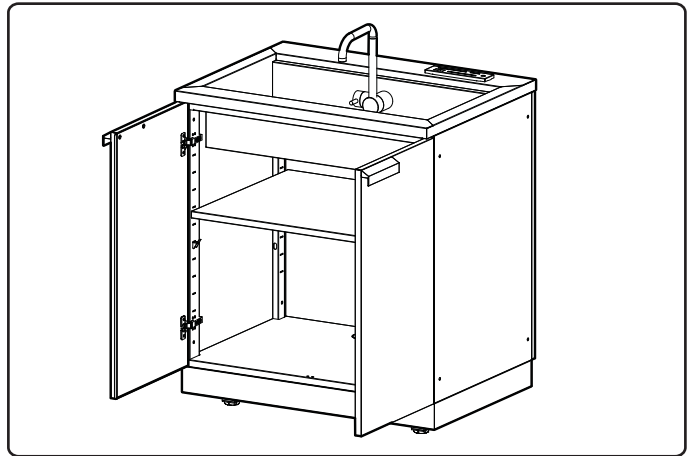
- 1** Open cabinet doors. Attach shelf clips to desired height.



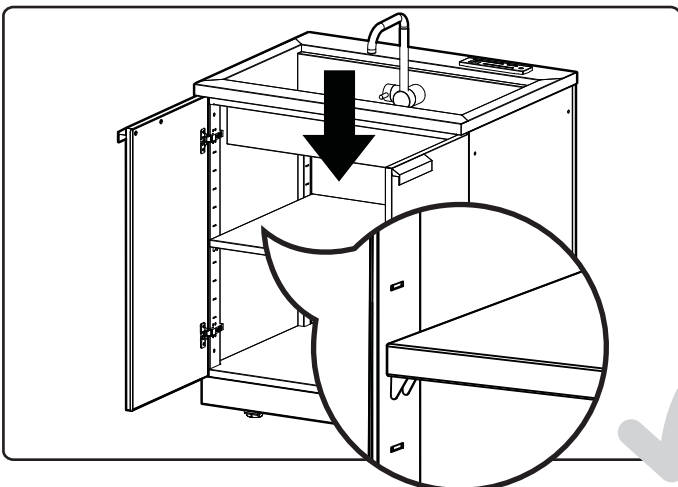
- 2** Begin with shelf being level.



- 3** Insert and position over clips.

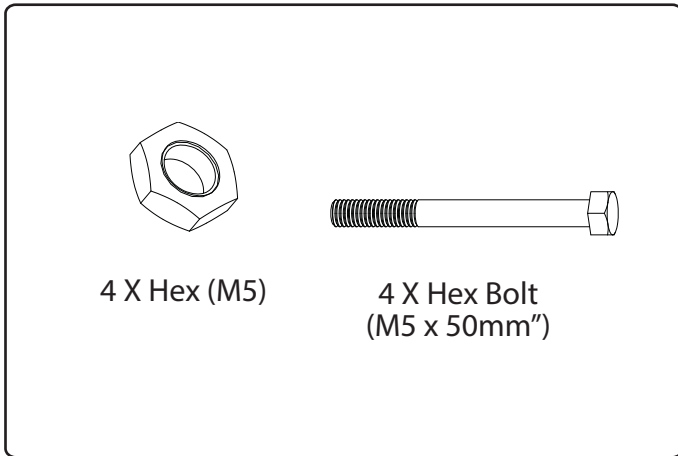


- 4** Lower shelf down onto shelf clips.

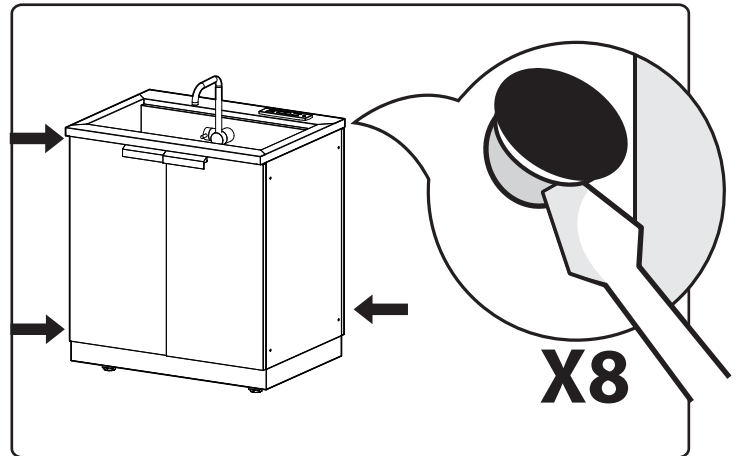


Fastening Cabinets

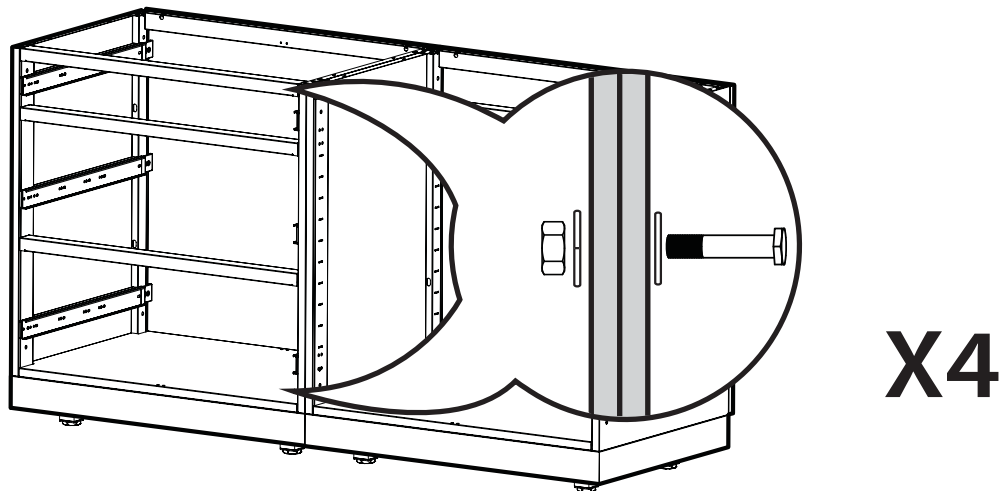
1 Parts Needed.



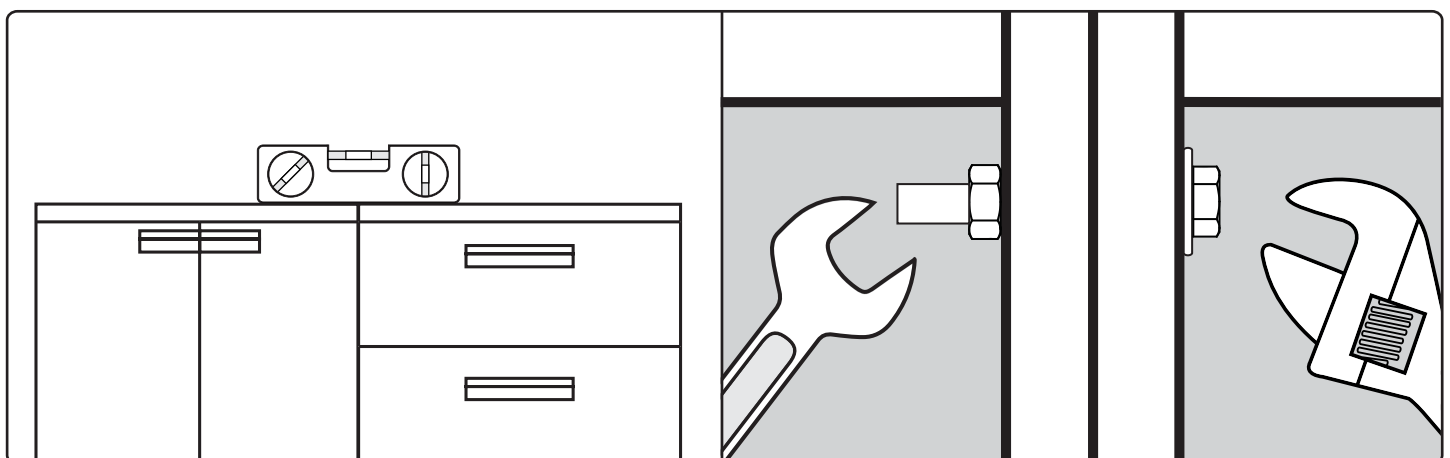
2 Remove plastic caps from cabinets.



3 Align bolts, tighten lightly.



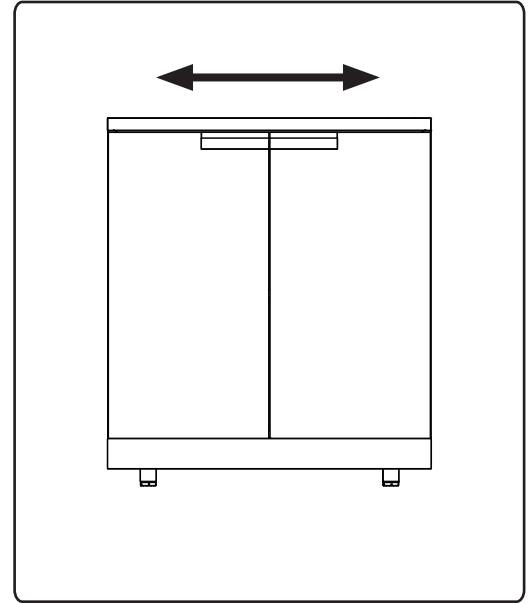
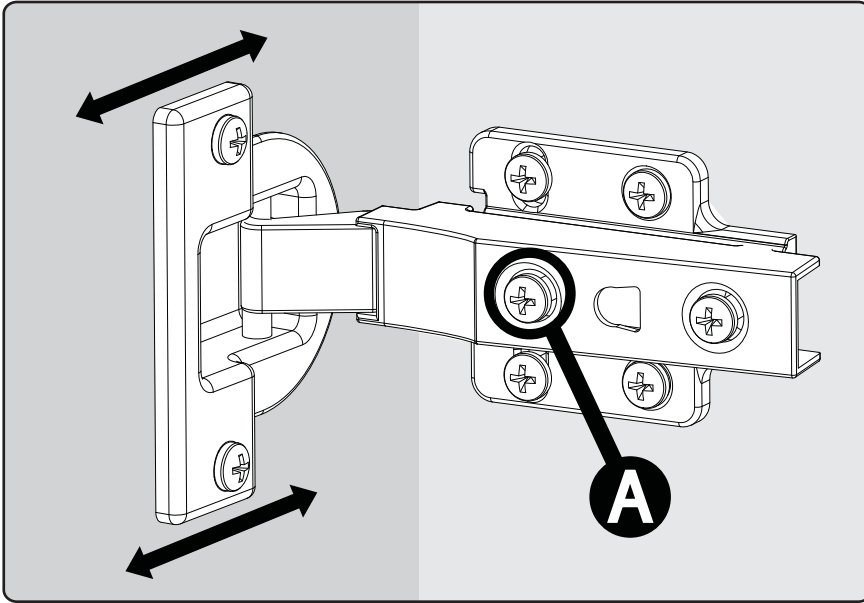
4 Level cabinets and tighten all bolts.



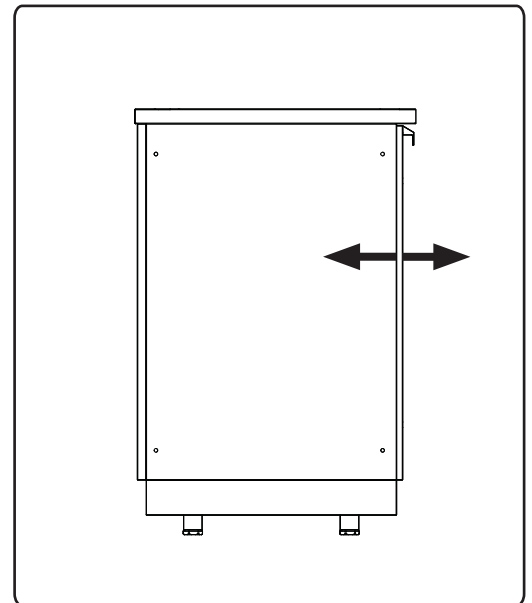
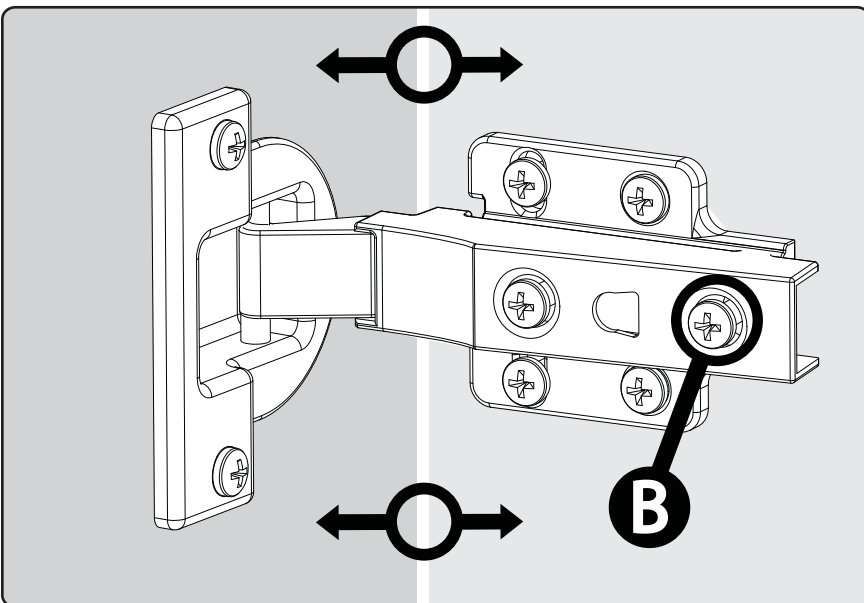
Adjusting The Door Hinges

Using a Philips screwdriver, the doors can be adjusted:
Left, right, forwards and backwards.

- 1** To adjust the doors left or right, turn the screw (A) clockwise or counterclockwise.

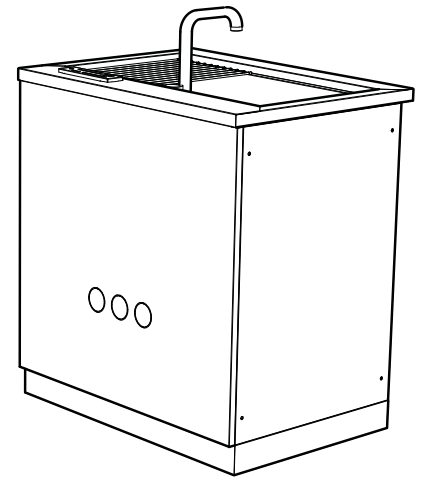
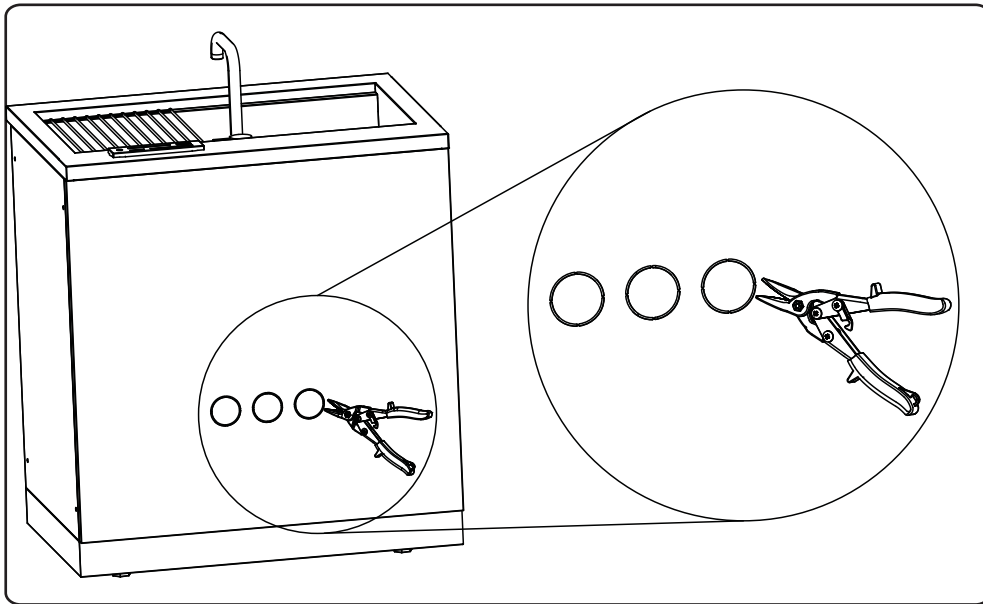


- 2** To adjust the gap between the doors and frame, turn the screw (B) clockwise or counterclockwise.

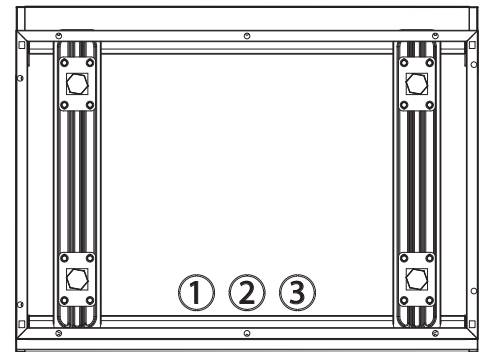


Plumbing Installation

Locate the 3 pre slotted holes in the back of the cabinet.
Using tin snips cut small webs to release the knockouts.

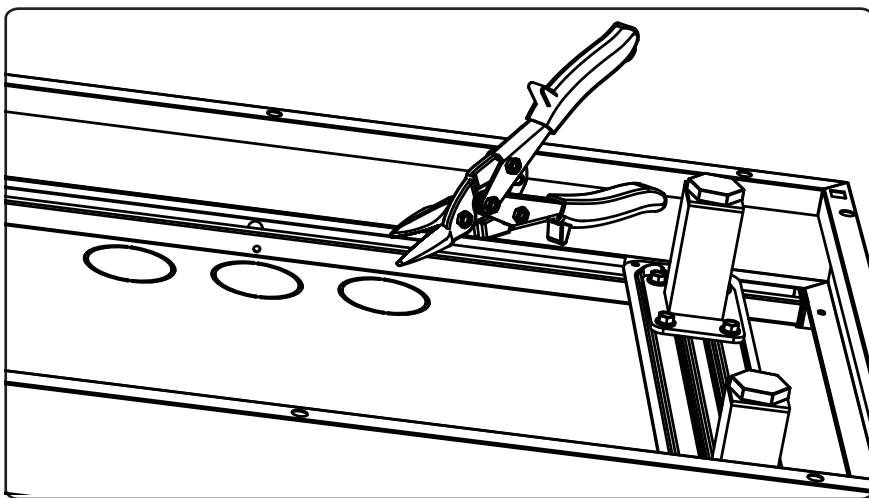


Back View of Sink Cabinet.

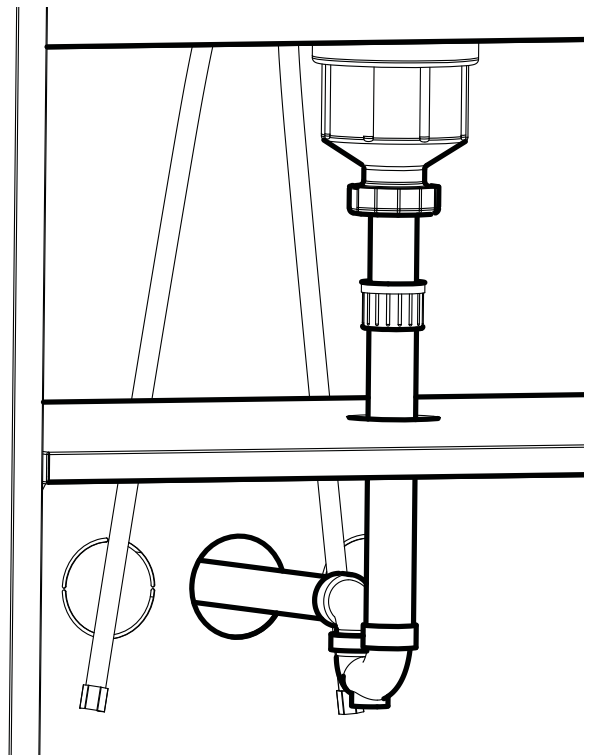


Bottom View of Sink Cabinet.

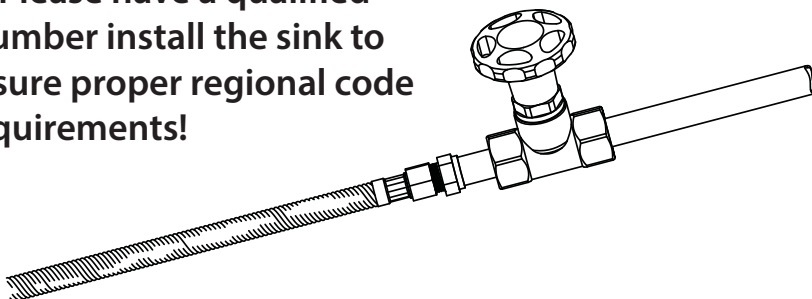
Locate the 3 pre slotted holes in the bottom
of the cabinet.
Using tin snips cut small webs to release the knockouts.



Connect the drain trap adapter to
a p-trap and drainage tubing.



** Please have a qualified
plumber install the sink to
assure proper regional code
requirements!



Connect the braided water inlet lines hot and cold to
the supply lines.