

PORTFOLIO

Portfolio is a registered trademark of L.F. LLC. All Rights Reserved.

STANTON VANITY LIGHT

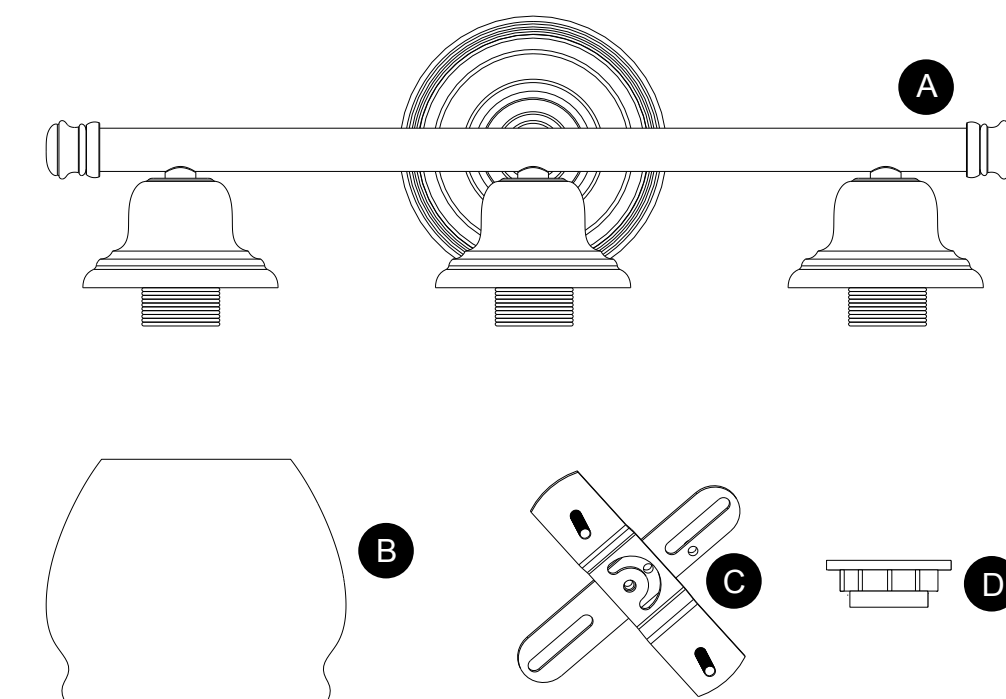
ITEM #14898

MODEL #27350-3

Français p. 7

Español p. 13

PACKAGE CONTENTS



Part	Description	Quantity
A	Vanity Bar	1
B	Glass Shade	3
C	Mounting Plate	1
D	Threaded Ring	3

Questions, problems, missing parts? Before returning to your retailer, call our customer service department at 1-877-695-8268, 8 a.m. - 5 p.m., PST, Monday - Friday.

1

HARDWARE CONTENTS

Part	Description	Quantity	Picture (Shown to size)	Part	Description	Quantity	Picture (Shown to size)
AA	#6 Screw	2		CC	Wire Nut	3	
BB	#8 Screw	2		DD	Cap Nut	2	

⚠ WARNINGS AND CAUTIONS

FOR YOUR PROTECTION AND SAFETY – Carefully read and understand the information given in this manual before beginning the assembly and installation. Failure to do so could lead to electric shock, fire, or other injuries, which could be hazardous or even fatal.

All electrical connections must be in agreement with local codes, ordinances, or the national electric code (NEC). Contact your municipal building department to learn about your local codes, permits, and/or inspections.

TURN OFF ELECTRICITY at main fuse box (or circuit breaker box) before beginning installation by switching circuit breaker off or removing fuse.

DO NOT connect this fixture to an electrical system that does not provide a means for equipment grounding. Never use a fixture in a two-wire system that is not grounded.

WARNING: INSTALLING A FIXTURE INTO AN ELECTRICAL SYSTEM NOT HAVING PROPER GROUNDING MEANS COULD ALLOW ALL METAL PARTS OF THE FIXTURE TO CARRY ELECTRICAL CURRENT IF ANY OF THE FIXTURE WIRES, WIRE CONNECTIONS, OR SPLICES BECOME BROKEN, CUT, OR LOOSE DURING THE MOUNTING OR NORMAL OPERATION OF THE FIXTURE. UNDER THIS CONDITION, ANYONE COMING IN CONTACT WITH THE FIXTURE IS SUBJECT TO ELECTRICAL SHOCK, WHICH COULD CAUSE SERIOUS INJURY OR DEATH.

If you are not sure if the lighting system has grounding means, DO NOT attempt to install this fixture. Contact a qualified, licensed electrician for information with regards to proper grounding methods as required by the local electrical code in your area. DO NOT connect the bare, or green insulation fixture, ground wire to the black (HOT) current carrying or white neutral house wire.

WARNING: CONNECTION OF THE BARE GROUND WIRE TO THE BLACK OR WHITE HOUSE WIRES MAY ALLOW ALL METAL PARTS OF THE FIXTURE TO CARRY ELECTRICAL CURRENT. UNDER THIS CONDITION, ANYONE COMING IN CONTACT WITH THE FIXTURE WILL RECEIVE ELECTRICAL SHOCK, WHICH COULD CAUSE SERIOUS INJURY OR DEATH.

DO NOT suspend any fixture by the house wires. A fixture must always be mounted directly to an outlet box or to a mounting strap, which is first attached to the outlet box.

WARNING: WIRE CONNECTORS WILL NOT SUPPORT THE WEIGHT OF A FIXTURE.

2

SUSPENDING A FIXTURE BY THE HOUSE WIRES AND WIRE CONNECTORS WILL RESULT IN THE FIXTURE FALLING, WITH THE POSSIBILITY OF PERSONAL INJURY AND THE DANGER OF ELECTRICAL SHOCK OR FIRE.

All fixtures must be mounted to an outlet box that is supported by the building structure. DO NOT attempt to support the fixture by the wall board alone. Wall board alone does not have the strength to support the weight of the fixture. The fixture may fall and cause personal injury.

BE CAREFUL not to damage or cut the wire insulation (covering) during fixture installation. DO NOT permit wires to contact any surface having a sharp edge. To do so may damage or cut the wire insulation which could cause serious injury or death from electric shock.

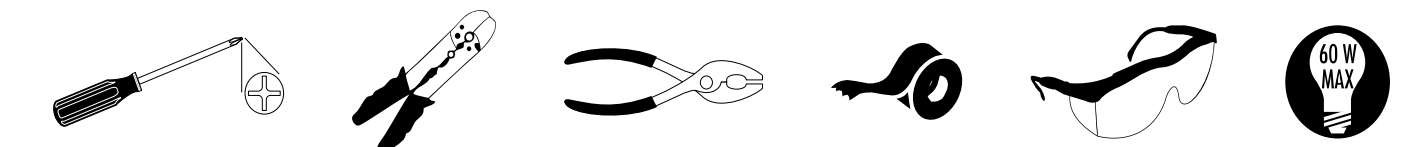
DO NOT use lamps (bulbs) having a wattage greater than the maximum value stated on the fixture. The use of a higher wattage lamp(s) than specified will increase temperatures and cause risk of fire. If a dimmer control switch is used with this fixture, obtain professional advice to determine the correct type and electrical rating required.

PREPARATION

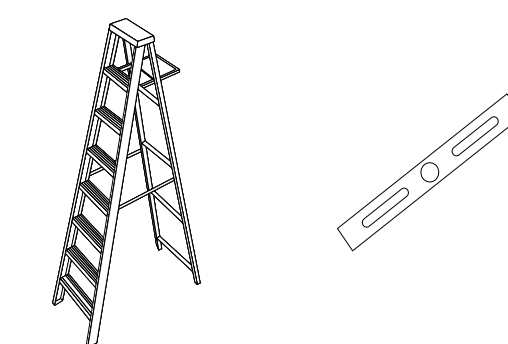
Before beginning installation of product, make sure all parts are present. Compare parts with package contents list and diagram on page one. If any part is missing or damaged, do not attempt to assemble, install or operate the product. Contact customer service for replacement parts.

Estimated Assembly Time: 45 minutes

Items Required for Assembly (not included): Phillips screwdriver, wire strippers, pliers, electrical tape, safety glasses, 3 light bulbs (60 watt maximum)



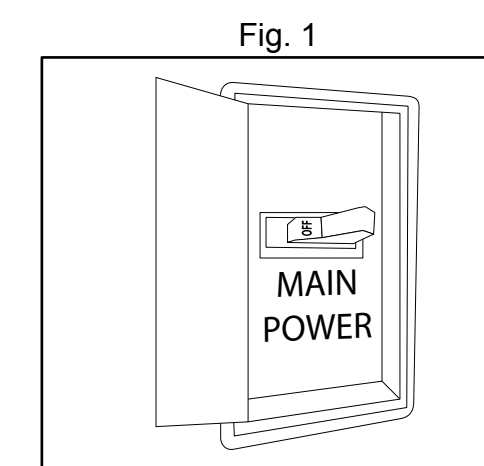
Tools Helpful for Assembly (not included): Ladder, level



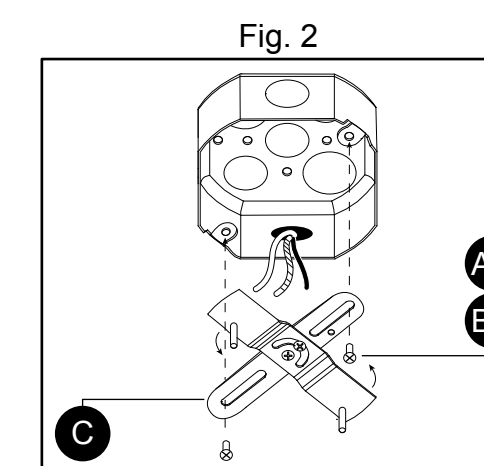
3

INSTALLATION INSTRUCTIONS

1. Shut off main power at the circuit breaker, or fuse panel, before removing old fixture. Remove old fixture and disconnect wiring. Detach mounting plate (C) from back of vanity bar (A) by unscrewing cap nuts (DD). (Fig. 1)



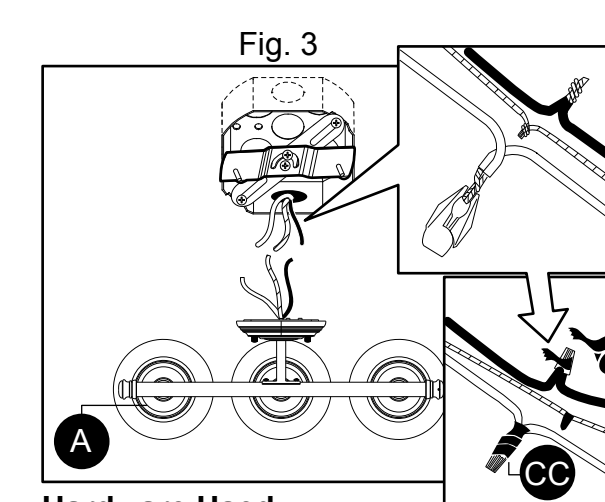
2. Attach mounting plate (C) to outlet box using screws provided (AA or BB). Loosen mounting center screws to adjust position of mounting plate (C). Turn mounting plate (C) until vertical (use level if necessary) and tighten to lock in place. (Fig. 2)



Hardware Used

AA	#6 Screw	2	
BB	#8 Screw	2	

3. Strip ¼ inch of insulation from wire ends. Twist with pliers. Black to Black (power), White to White (neutral). Attach copper ground wire from vanity bar (A) to branch circuit grounding conductor. Attach wire nuts (CC). Tape wire nuts (CC) and wires together. (Fig. 3)

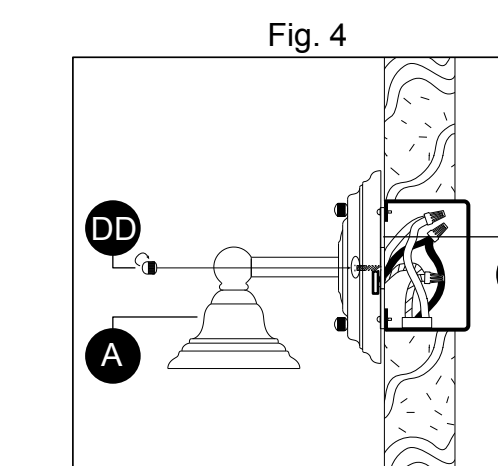


Hardware Used

CC	Wire Nut	3	
----	----------	---	--

4

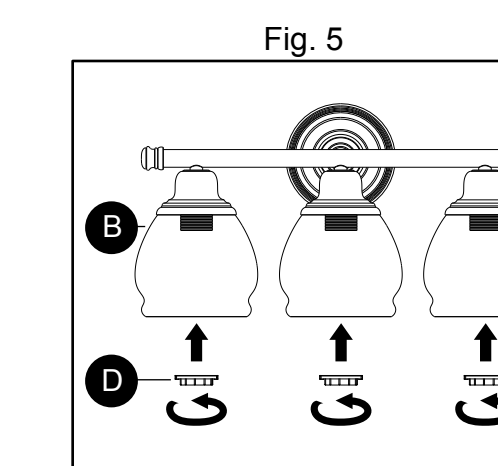
4. Carefully tuck all wiring into outlet box. Place vanity bar (A) against the mounting plate (C), allowing the threaded stems to pass through the front plate of wall fixture. Secure vanity bar (A) with cap nuts (DD) provided. (Fig. 4)



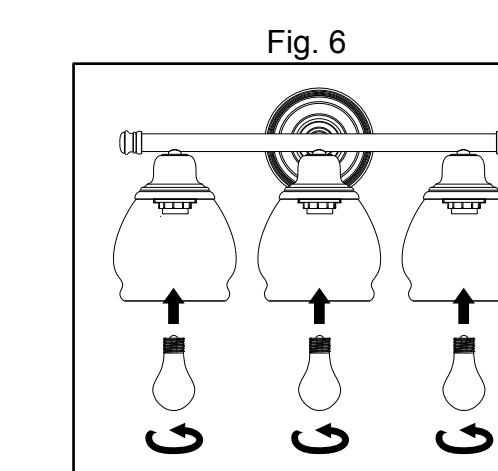
Hardware Used

DD	Cap Nut	2	
----	---------	---	--

5. Remove threaded rings (D) from light sockets. Place glass shades (B) over sockets and secure with the threaded rings (D). Do not overtighten as glass may break. (Fig. 5)



6. Use 60 watt (max.) bulbs (not included). Turn on main power. (Fig. 6)



5

CARE AND MAINTENANCE

Shut off main power supply. Wipe with damp, soft cloth. Do not use abrasive cleaners as they may damage the finish. Bulb replacement: Use 60 watt (maximum), medium base, type-A light bulb. **WARNING:** DO NOT attempt to replace bulb while light is on.

TROUBLESHOOTING

Minor problems often can be fixed without an electrician. Before beginning work on the light, shut off power supply to avoid electrical shock.

Problem	Possible Cause	Corrective Action
Bulbs will not light.	1. Bulb is burnt out. 2. Power is off. 3. Faulty wire connection. 4. Faulty switch.	1. Replace light bulb. 2. Make sure power supply is on. 3. Check wiring. 4. Test or replace switch.
Fuse blows or circuit trips when light is turned on.	1. Crossed wires or power wire is grounding out.	1. Check wire connections.

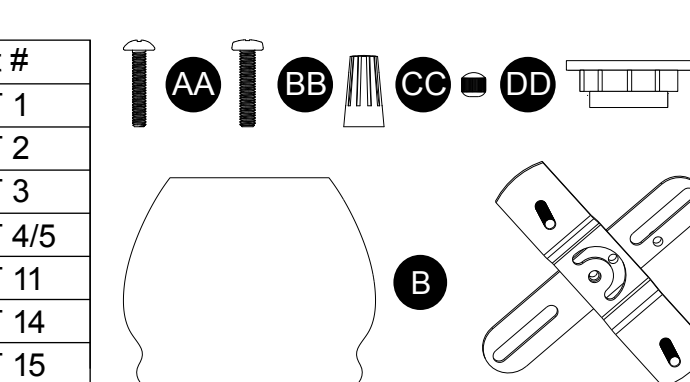
WARRANTY

The manufacturer warrants all of its lighting fixtures against defects in materials and workmanship for one (1) year from the date of purchase. If within this period the product is found to be defective in material or workmanship, the product must be returned, with a copy of the original sales receipt as proof of purchase in the original carton, to the place of purchase. The manufacturer will, at its option, repair or replace the product to the consumer. This warranty does not cover fixtures becoming defective due to misuse, accidental damage, improper handling and/or installation and specifically excludes liability for direct, incidental or consequential damages. As some states do not allow exclusions or limitations on an implied warranty, the above exclusions and limitations may not apply to you. This warranty gives you specific rights. You may have other rights that vary from state to state.

REPLACEMENT PARTS LIST

For replacement parts, call our customer service department at 1-877-695-8268, 8 a.m. - 5 p.m., PST, Monday - Friday.

Part	Description	Part #
AA	#6 Screw	PORT 1
BB	#8 Screw	PORT 2
CC	Wire Nut	PORT 3
DD	Cap Nut	PORT 4/5
D	Threaded Socket Ring	PORT 11
B	Glass Shade	PORT 14
C	Mounting Plate	PORT 15



6

Printed in China