



Designed to last beautifully.™

TRIM

MOULDING

DECK

PORCH

RAIL

PAVERS



AZEK Rail Install Guide

Installing AZEK Rail with Balusters 2

Installing AZEK Rail Stairs with Balusters..... 7

Installing AZEK Rail with CableRail by Feeney®.....11

Installing CableRail by Feeney® for AZEK Rail16

Installing AZEK Rail Stairs with CableRail by Feeney®19

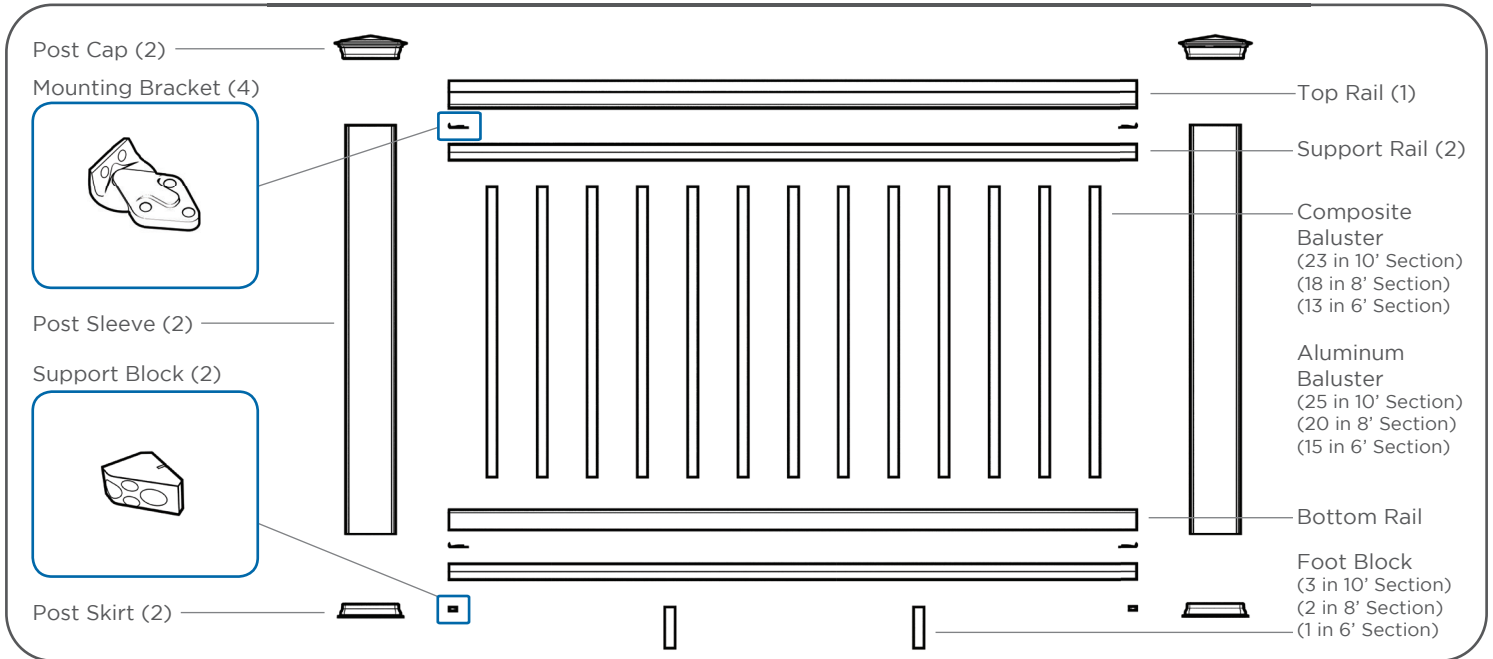
Installing CableRail by Feeney® Stairs for AZEK Rail..... 23

Installing AZEK Rail with Glass Infill 27

Installing AZEK Rail Stairs with Glass Infill 34

Notes..... 39

- Please read all instructions completely before starting any part of the installation. Always make sure to visit www.azek.com to ensure you are viewing the most current installation instructions, care and cleaning, technical information and more.
- AZEK Rail should be installed using the same good building principles used to install wood or composite railing and in accordance with the local building codes and the installation guidelines included below. AZEK Building Products Inc. accepts no liability or responsibility for the improper installation of this product.
- AZEK Rail may not be suitable for every application and it is the sole responsibility of the installer to be sure that AZEK Rail is fit for the intended use. Since all installations are unique, it is also the installer’s responsibility to determine specific requirements in regards to each Rail application.
- AZEK Building Products Inc. recommends that all applications be reviewed by a licensed architect, engineer or local building official before installation. If you have any questions or need further assistance, please call AZEK Customer Service at 877-ASK-AZEK (877-275-2935) or visit our website at www.azek.com.
- AZEK Railing is tested as a whole system and should be used that way. It is not intended to be used in conjunction with other railing systems or fasteners.
- The following Installation Guidelines are applicable for installation of AZEK Premier, AZEK Trademark, and AZEK Reserve Rail Systems (except AZEK Reserve over post applications).
- **IMPORTANT:** Make sure the DRIVE TOOL/DRILL is configured or set to use the SCREW setting when driving and/or tightening all FASTENERS.
- **SAFETY:** Always wear goggles when handling, cutting, drilling and fastening materials.
- Failure to install this product in accordance with applicable building codes and AZEK’s written Rail Install Guide may lead to personal injury, affect rail system performance and void the product warranty.



AZEK Rail kit is available in 10', 8' and 6' lengths.

Visit www.azek.com/installation to view AZEK installation videos. Consult your local building codes for guard and handrail requirements.

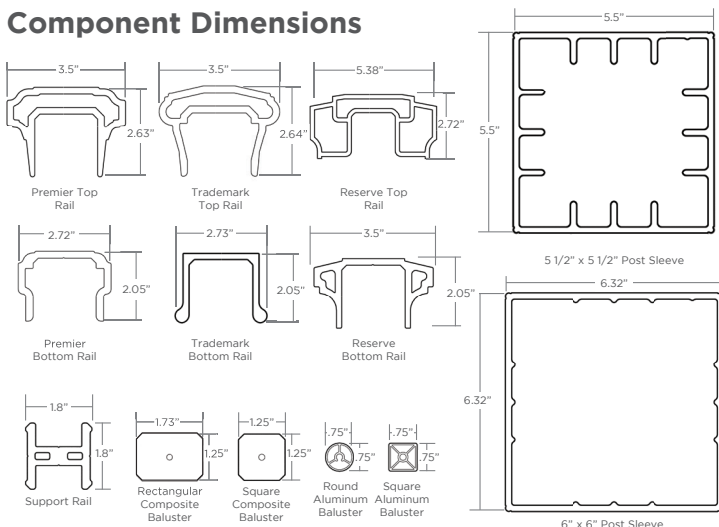
Measuring Your Railing Area

- Measurements are from center to center of post. Rails are produced in 10', 8' and 6' lengths to allow for finished end cuts and angles.
- Determine how many 10', 8' and 6' AZEK rail sections you need and check to be sure you have all the components (and quantities) listed in the chart shown to the right.

Important Information

- ⚠️ AZEK Rail 10', 8' and 6' rails are designed not to exceed 10', 8' and 6' center of post to center of post, respectively.
- ⚠️ For stair applications maximum rail length must not exceed 91"
- Cut slowly, using a fine tooth saw blade to avoid chipping.
- For 42" railing use 54" Post Sleeves.

Component Dimensions

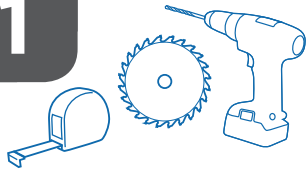


- Tools Required**
- Miter Saw
 - Drill
 - Measuring Tape
 - 7/64" Drill Bit
 - 3/16" Drill Bit

Components Needed For Installing One AZEK Rail Section

Components Included in Complete 10', 8' and 6' Kits (White Only in Premier & Trademark)	AZEK Rail Pack	
1 - Top Rail 1 - Bottom Rail 2 - Support Rails (1 - Aluminum Top Support Rail for 10') Foot Blocks - 1 in 6' Kits, - 2 in 8' Kits, - 8 in 10' Kits, Composite Balusters - 13 in 6' Kits, - 18 in 8' Kits, - 23 in 10' Kits Hardware Mounting Kit Support Block Mounting Templates Baluster Screw Kit	1 - Top Rail (Reserve Top Rail sold separately) 1 - Bottom Rail 2 - Support Rails (1 - Aluminum Top Support Rail for 10') Hardware Mounting Kit Support Block Mounting Templates Foot Blocks - 1 in 6' Packs, - 2 in 8' Packs, - 3 in 10' Packs	
	Composite Balusters	Aluminum Balusters
	- 18 Balusters per Pack (23 required per 10' section) (18 required per 8' section) (13 required per 6' section) - 29" for 36" Railing - 31" for 36" Railing (with less than 2" gap between deck & Bottom Rail) - 35" for 42" Railing - 37" for 42" Railing (with less than 2" gap between deck & Bottom Rail)	- 20 Balusters per Pack (25 required per 10' section) (20 required per 8' section) (15 required per 6' section) - 29" for 36" Railing (with less than 2" gap between deck & Bottom Rail) - 35" for 42" Railing - 37" for 42" Railing (with less than 2" gap between deck & Bottom Rail)
	Baluster Screw Kit	Baluster Screw Kit
	18 - #8x2" Screws 18 - #8x3" Screws	20 - #8x2" Screws 20 - #8x3" Screws
Hardware included in Hardware Mounting Kits:	4 - Mounting Brackets 2 - Support Blocks 16 - #8 x 3/4" Screws 6 - #8 x 1 3/4" Screws 6 - #8 x 2 5/8" Screws (Stairs Only) 6 - #8 x 3" Screws 12 - #8 x 3" Green Screws T20 Driver Bit	
Additional Components Needed for Each System	2 - Post Caps 2 - Post Sleeves 2 - Post Skirts	

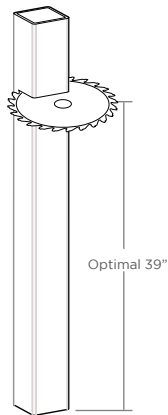
1



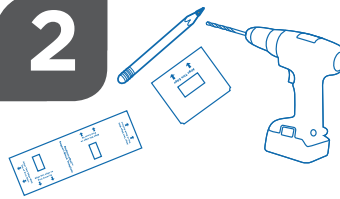
39" above deck surface is optimal for 36" railing heights.

INSTALL POST SLEEVES

- Trim Post Sleeves to desired length.
- Slide Post Sleeves and Post Skirt over post (do not force).
- Ensure posts are square and plumb.



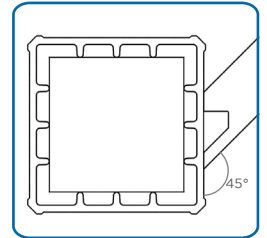
2



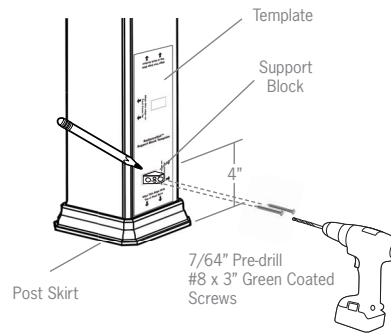
If you do not have the template, position the top of the Support Block 4" above the deck.

INSTALL LOWER SUPPORT BLOCK

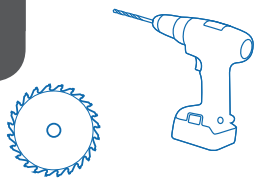
- Position template at bottom of Post Sleeve above Post Skirt.



For angled rail installations, align angled face of Support Block parallel to rail section.



3



CUT AND ASSEMBLE BOTTOM SUPPORT RAIL

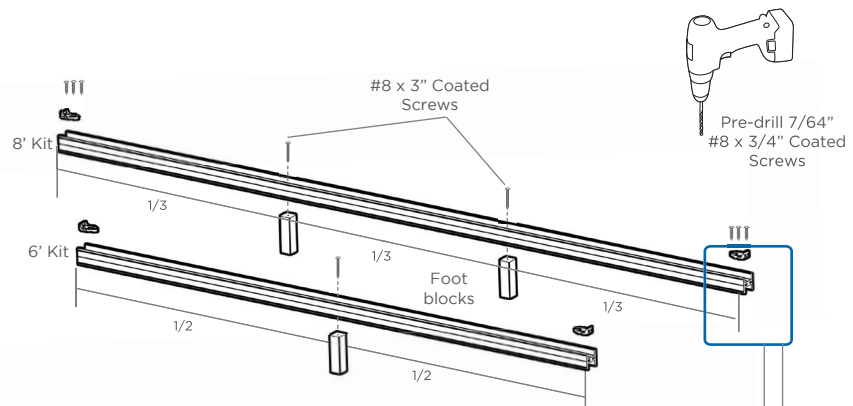
- Cut the Bottom Support Rail to length.



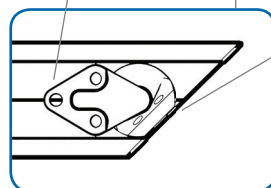
For sections up to 6': Place one Foot Block in the center of the rail.

For sections 6' to 8': Space two Foot Blocks approximately at 1/3 intervals on the rail.

For sections 8' to 10': Space three Foot Blocks approximately at 1/4 intervals on the rail.

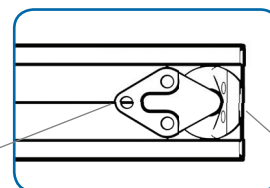


Center screw aligned to rail centerline



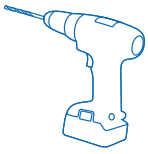
Bracket set flush to rail face

Center screw aligned to rail centerline



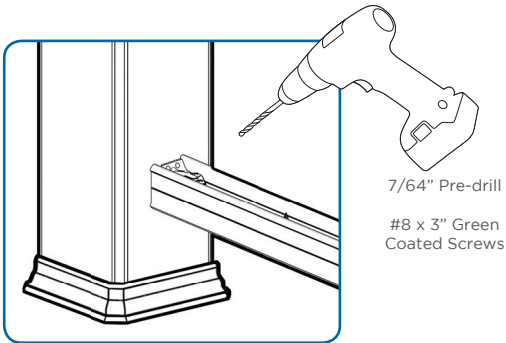
Bracket set flush to rail face

4

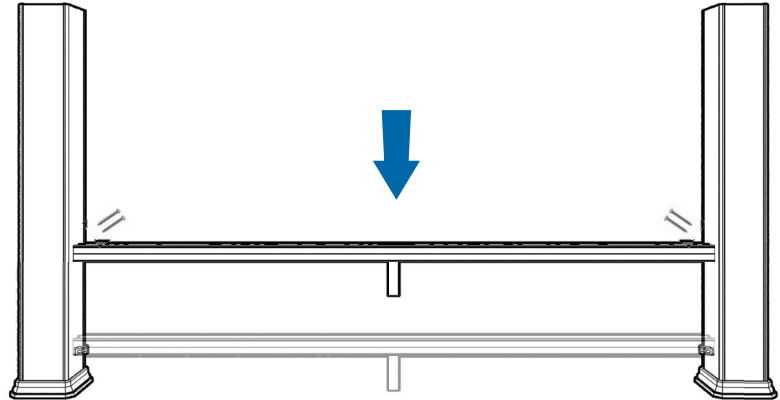


INSTALL BOTTOM SUPPORT RAIL

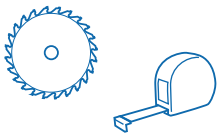
- Position rail assembly onto Support Blocks.



7/64" Pre-drill
#8 x 3" Green Coated Screws

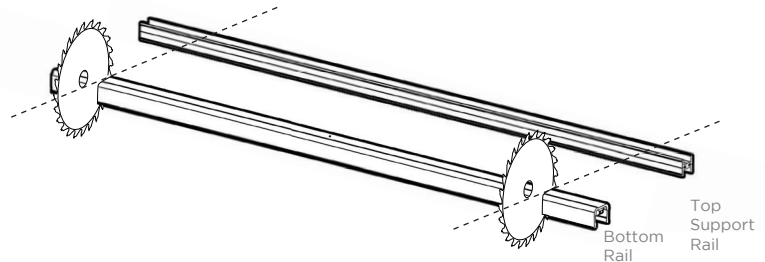


5

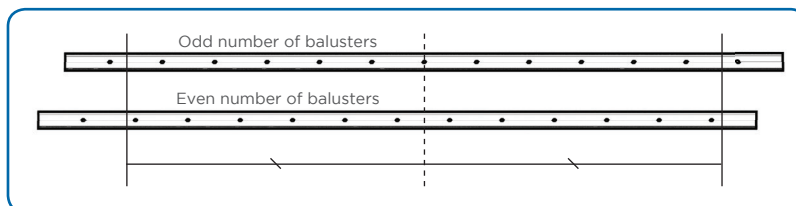


SPACE BALUSTER AND TRIM RAILS

- Measure distance between the posts at the Bottom Support Rail.
- Transfer measurement to Bottom Rail and center either on a pre-drilled hole or between to pre-drilled holes.
- Cut Bottom Rail and Top Support Rail to length.



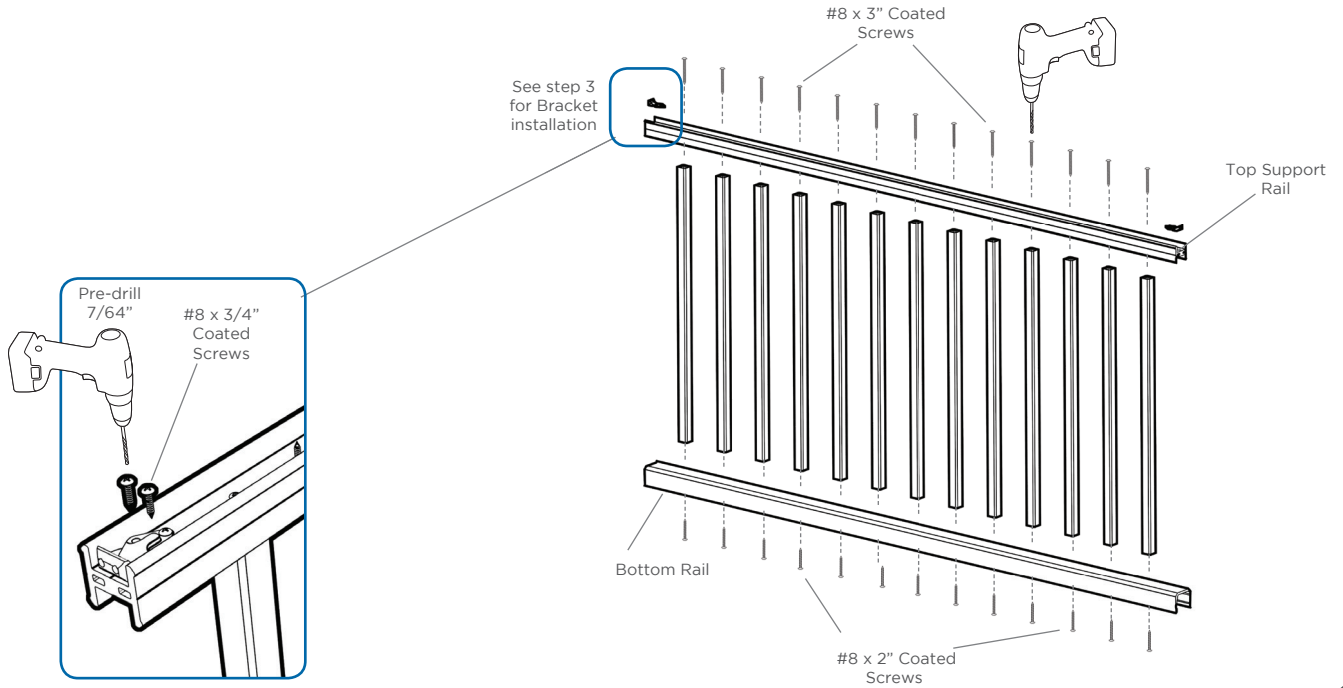
The space between the end baluster and post can not exceed 4"



6

ASSEMBLE BALUSTER SECTION

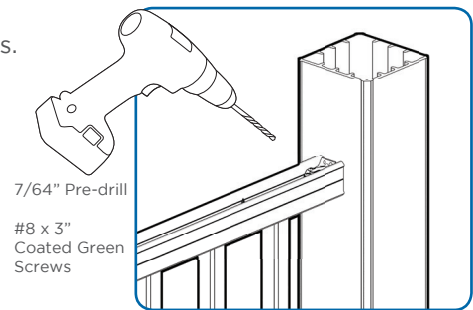
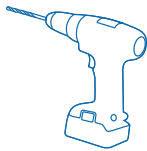
- Attach Mounting Brackets at each end of the Top Support Rail (outlined in Step 3).



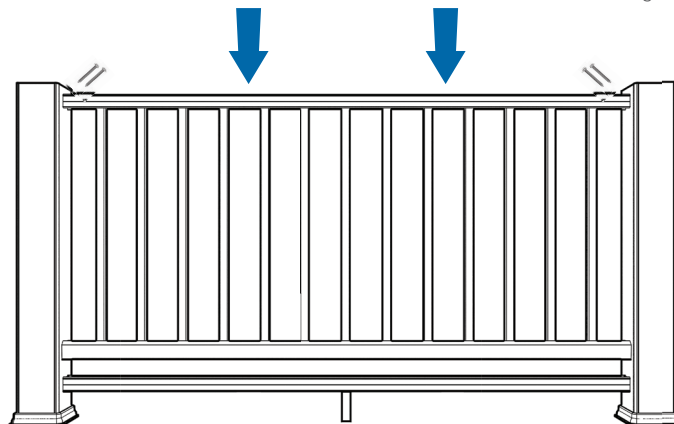
7

INSTALL RAIL ASSEMBLY

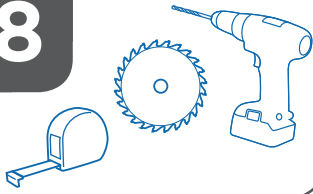
- Align Top Support Rail to center of Posts.



Align to center of post

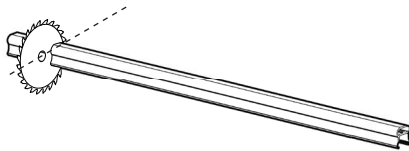


8

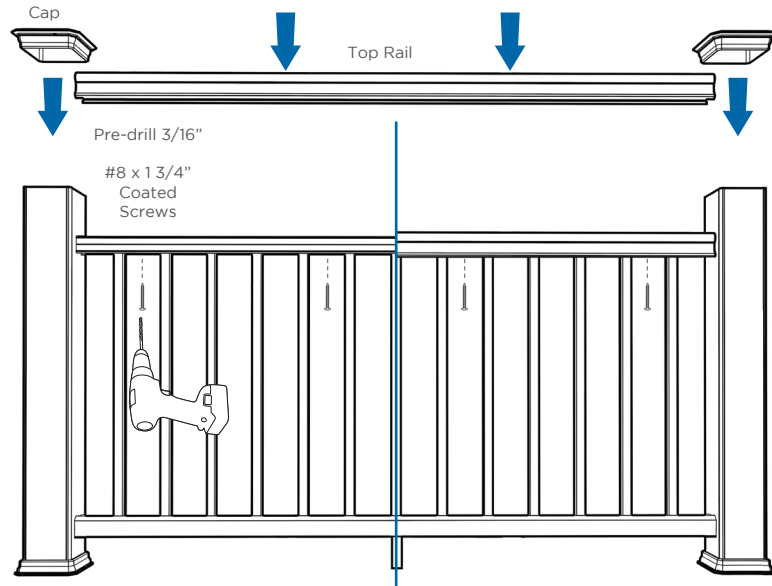


INSTALL TOP RAIL AND POST CAPS

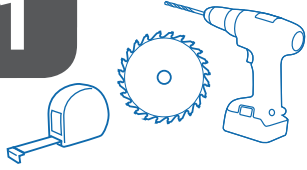
- Measure and cut Top Rail to length. Trim both ends for a clean cut.
- Attach Post caps using exterior grade caulk applied to the underside of the cap.



Caution: Screws must be 1 3/4" so they won't go through the Top Rail on straight rail sections.

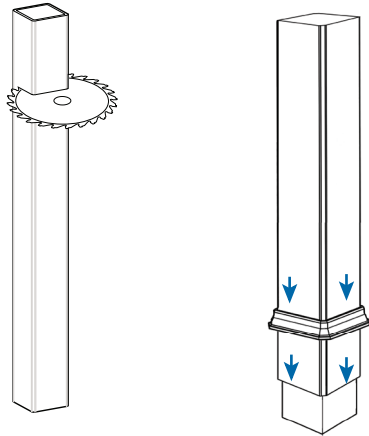


1

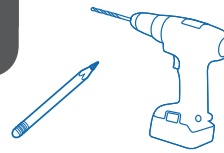


INSTALL POST SLEEVES

- Trim Post Sleeves to desired length.
- Slide Post Sleeve and Post Skirt over post (do not force).
- Ensure post are square and plumb.



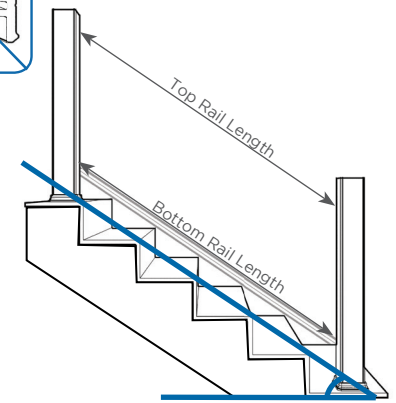
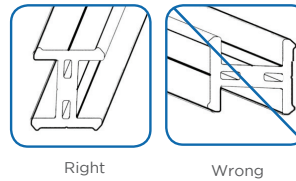
2



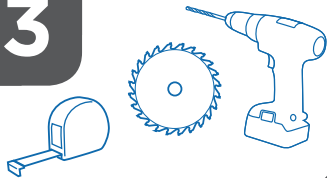
Trim Rails

- Determine measurements and angle as shown.
- Trim both the Top Support Rail and the Bottom Support Rail to those dimensions.
- Test fit rails to check for accuracy.

Support Rails are rotated 90° for stair rail applications.

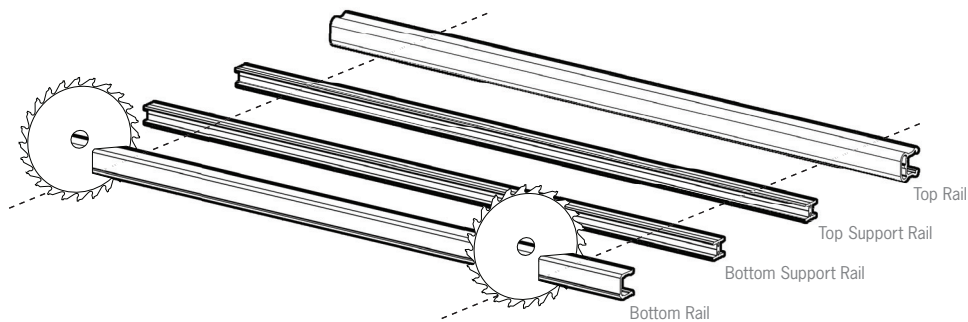


3

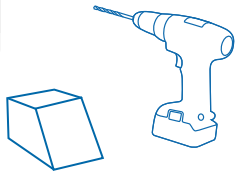


TRIM RAILS

- Transfer measurement from Bottom Support Rail to Bottom Rail.
- Trim Top Rail to match Top Support Rail at appropriate angle.

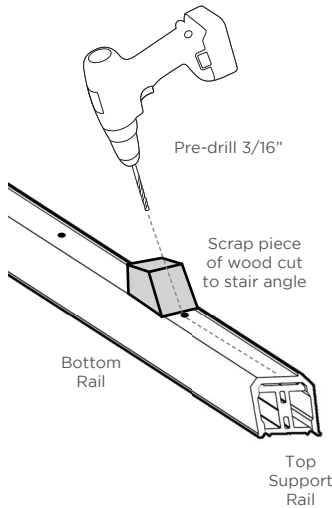


4

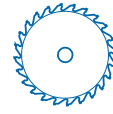


DRILL BALUSTER HOLES

- Place the Bottom Rail and the Top Support Rail together as shown to keep the holes aligned.



5



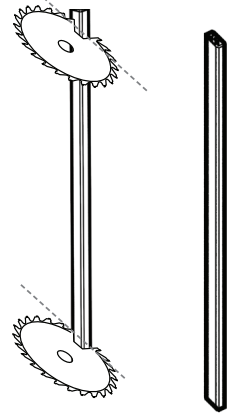
TRIM BALUSTERS

Trim Baluster ends to required angle as shown.

Important: Start cut at top edge to maximize the length.

Aluminum stair Balusters are pre-cut to a stair angle and are not to be cut on the job site.

- Trim Foot Block to stair angle as well.



6



ASSEMBLE BALUSTERS

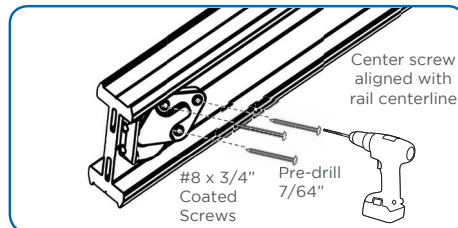
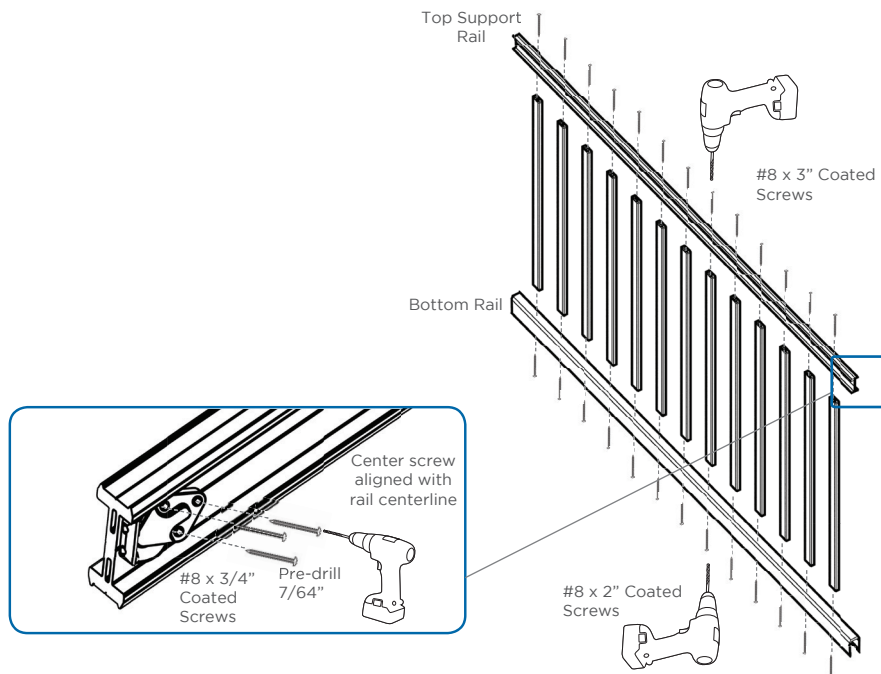
- Attach Balusters to Top and Bottom Support Rails and attach Brackets to Top Support Rail.



Tip for Bottom Rail: Partially drive screws into all Balusters before driving them in completely.



Brackets must be on the side of the rail facing the stairs.



7



INSTALL BOTTOM SUPPORT RAIL

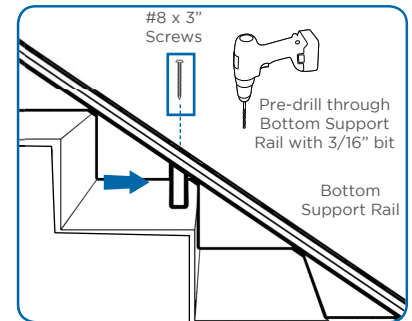
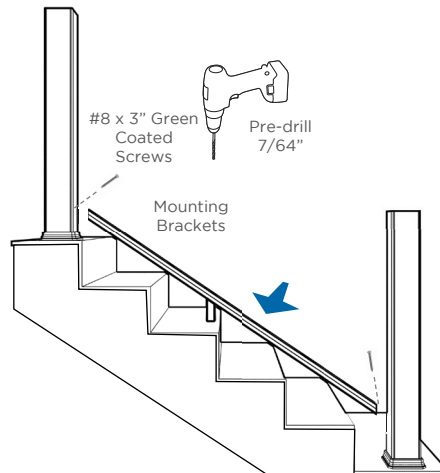
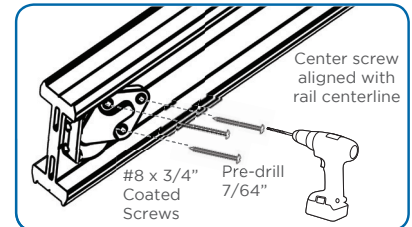
- Attach Mounting Brackets to Bottom Support Rail.
- Secure Mounting Brackets to posts.
- Wedge Foot Block under Support Rail & Attach.



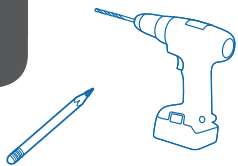
Brackets must be installed to the stair tread side of the rail.

For sections up to 6': Place one Foot Block in the center of the rail.

For sections 6' to 8': Space two Foot Blocks approximately at 1/3 intervals on the rail.

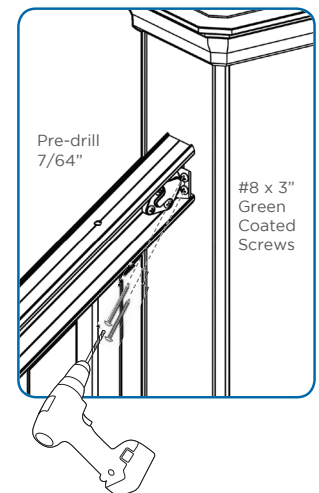
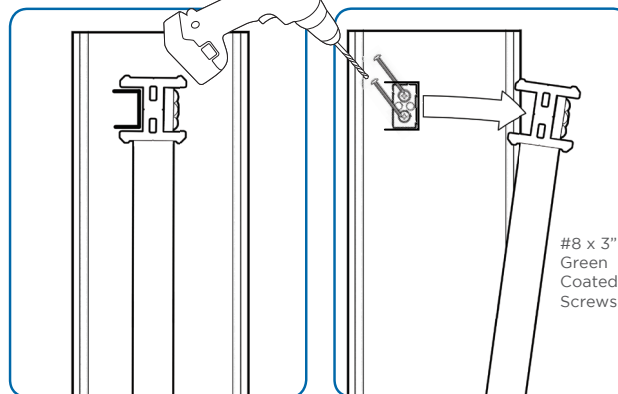


8



INSTALL RAIL ASSEMBLY

- Mark ends of Support Rail.
- Rotate Rail assembly out of way to fasten Support Block.
- Secure Mounting Brackets to Posts.



9



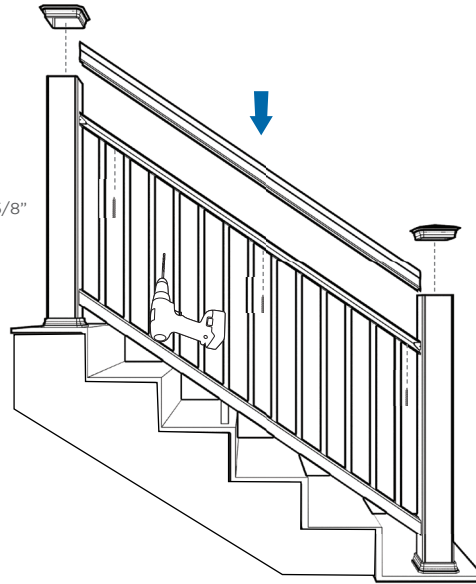
INSTALL BOTTOM SUPPORT RAIL

- Position Top Rail over Support Rail and attach with screws.
- Secure Post caps with exterior grade caulk.



For typical stair angles, use provided 2 5/8" Screws to fasten the Top Rail.

Pre-drill
7/64"
#8 x 2 5/8"
Coated
Screws

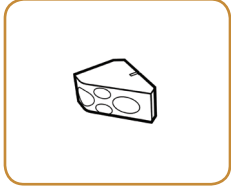


Mounting Bracket (4)

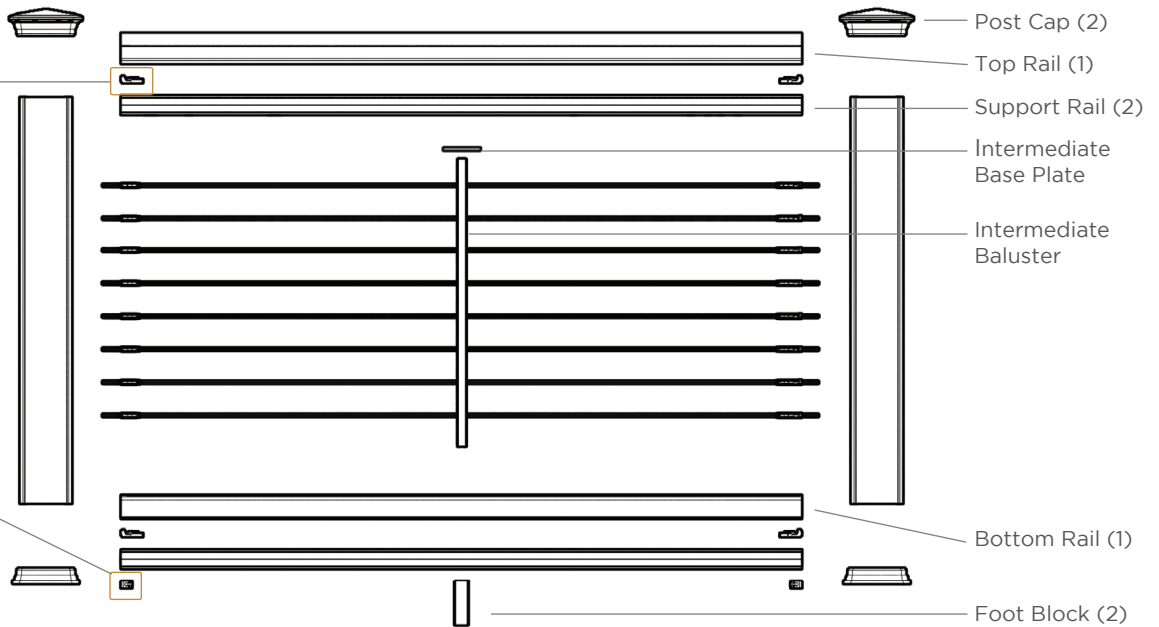


Post Sleeve (2)

Support Block (2)



Post Skirt (2)



AZEK Rail Custom Rail Packs are available in 10', 8' and 6' lengths.

Visit www.azek.com/installation to view AZEK installation videos. Consult your local building codes for guard and handrail requirements.

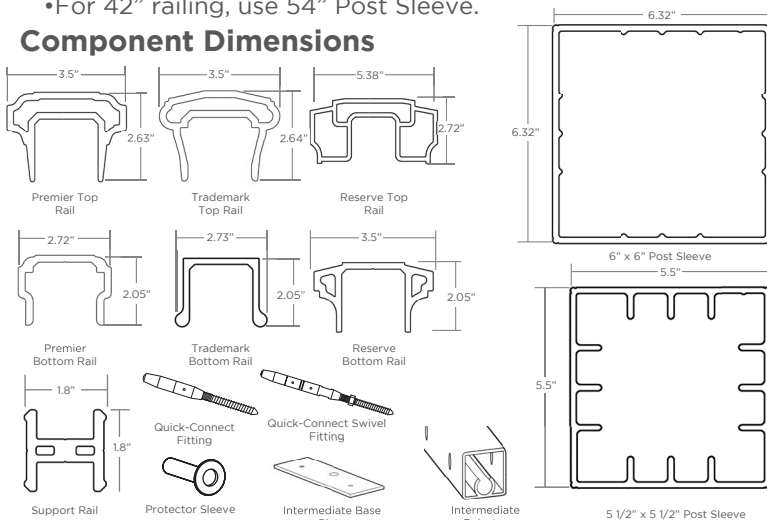
Measuring Your Railing Area

- Measurements are from center to center of the posts. Kits are produced in 10', 8' and 6' to allow for finished end cuts and angles.
- Determine how many 10', 8' and 6' AZEK Rail Custom Rail Packs you need and check to be sure you have all the components (and quantities) listed in the chart shown to the right.

Important Information

- ⚠️ • AZEK Rail 10', 8' and 6' Rails are designed not to exceed 10', 8' and 6' from center of post to center of post, respectively.
- ⚠️ • For stair applications maximum rail length must not exceed 91".
- 4x4 lumber posts should be installed plumb.
- Cut slowly, using a fine tooth saw blade to avoid chipping.
- Cannot be installed using Secure Mount Post.
- For 42" railing, use 54" Post Sleeve.

Component Dimensions




Tools Required

- Miter Saw
- Tape Measure
- Drill
- Cable Cutters
- #2 Square Drive
- Drill Bits: 7/64", 1/4", 3/16", 1/8" 9/64"
- Extended 1/4" Drill Bit
- 2 3/8" Open-End Wrenches

Components Needed For Installing The AZEK Rail Section

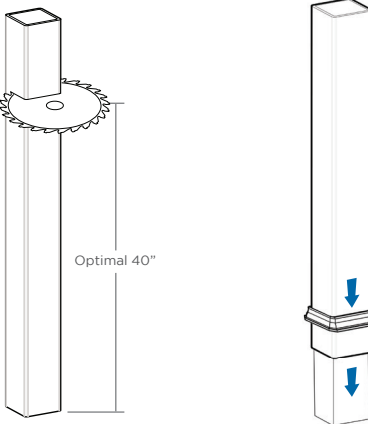
Hardware included in Hardware Kits:	Hardware Mounting Kit 4 - Mounting Brackets 2 - Support Blocks 16 - #8 x 3/4" screws 6 - #8 x 1 3/4" screws 6 - #8 x 2 5/8" screws (Stairs Only) 6 - #8 x 3" Screws 12 - #8 x 3" Green Screws T20 Driver Bit		
Components available separately for mix-and-match rail systems	AZEK Rail Custom Rail Pack	1 - Top Rail (Reserve Top Rail sold separately) 1 - Bottom Rail 2 - Support Rails (1-Aluminum Top Support Rail for 10') Hardware Mounting Kit Support Block Mounting Templates Foot Blocks - 1 in 6' Packs, - 2 in 8' Packs, - 3 in 10' Packs	
	CableRail Components	<table border="0"> <tr> <td> 36" Intermediate Baluster -1 for 6', 2 for 8', 3 for 10' 42" Intermediate baluster -1 for 6', 2 for 8', 3 for 10' Stair Intermediate baluster -1 for 6', 2 for 8', 3 for 10' Cable -100' spool or 500' spool </td> <td> 36" Hardware Kit - 9 Quick-Connect Fittings - 9 Quick-Connect Swivel Fittings - 18 Hanger Bolts - 9 lock nuts 42" Hardware Kit - 9 Quick-Connect Fittings - 9 Quick-Connect Swivel Fittings - 22 Hanger Bolts - 11 lock nuts </td> </tr> </table>	36" Intermediate Baluster -1 for 6', 2 for 8', 3 for 10' 42" Intermediate baluster -1 for 6', 2 for 8', 3 for 10' Stair Intermediate baluster -1 for 6', 2 for 8', 3 for 10' Cable -100' spool or 500' spool
36" Intermediate Baluster -1 for 6', 2 for 8', 3 for 10' 42" Intermediate baluster -1 for 6', 2 for 8', 3 for 10' Stair Intermediate baluster -1 for 6', 2 for 8', 3 for 10' Cable -100' spool or 500' spool	36" Hardware Kit - 9 Quick-Connect Fittings - 9 Quick-Connect Swivel Fittings - 18 Hanger Bolts - 9 lock nuts 42" Hardware Kit - 9 Quick-Connect Fittings - 9 Quick-Connect Swivel Fittings - 22 Hanger Bolts - 11 lock nuts		
Additional Components Needed for Each System	2 - Post Sleeves 2 - Post Caps 2 - Post Skirts Protector Sleeves - 42" System: 22 per Thru Post - 36" System: 18 per Thru Post	CableRail Accessory Pack Includes: - Quick-Connect release tool - Lacing Needle - Hanger Bolt Installation Tool	

1 INSTALL POST SLEEVE

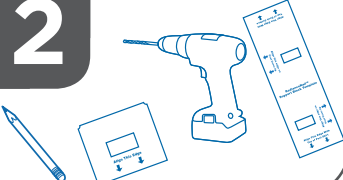


- Trim Post Sleeve to desired length.
- Slide Post Sleeve and Post Skirt over post (do not force).
- Ensure posts are square and plumb.

40" above deck surface is optimal for 36" railing heights.

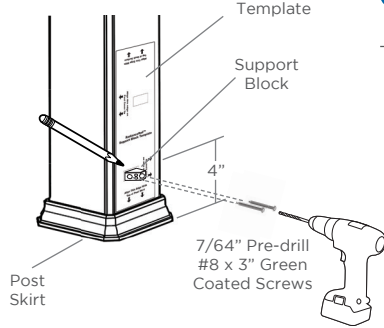


2 INSTALL LOWER SUPPORT BLOCK



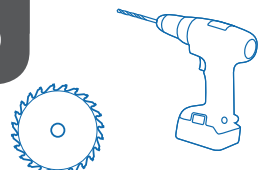
- Position template at bottom of post sleeve above post skirt.

If you do not have a the template, position the top of the Support Block 4" above the deck.



For angled rail installations - align angled face of Support Block parallel to rail section.

3 CUT AND ASSEMBLE BOTTOM SUPPORT RAIL

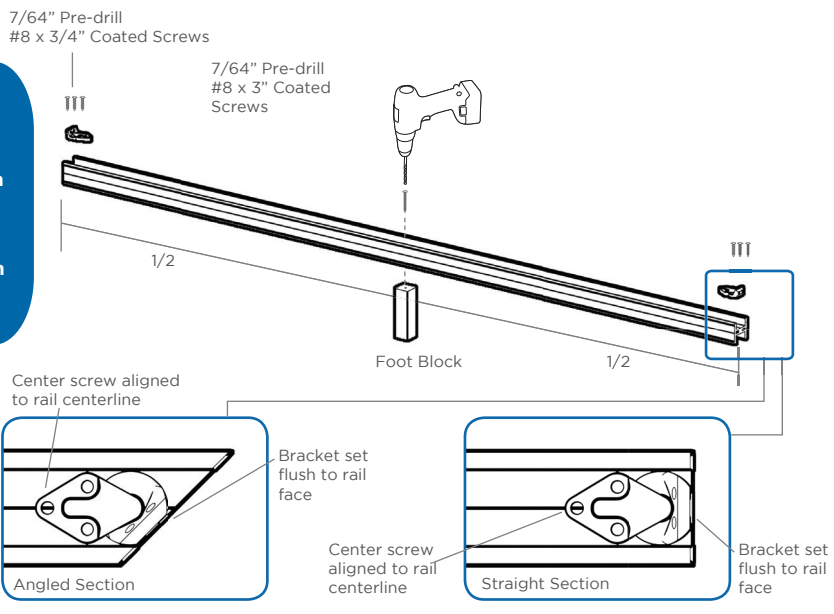


- Cut the Bottom Support Rail to length.

For sections up to 6': Place one Foot Block in the center of the rail.

For sections 6' to 8': Space two Foot Blocks approximately at 1/3 intervals on the rail.

For sections 8' to 10': Space three Foot Blocks approximately at 1/4 intervals on the rail.



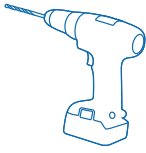
Center screw aligned to rail centerline

Bracket set flush to rail face

Angled Section

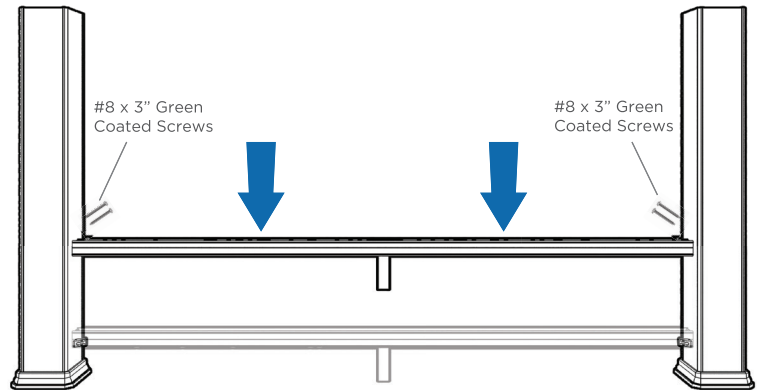
Straight Section

4

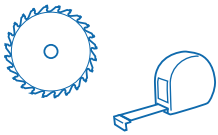


INSTALL BOTTOM SUPPORT RAIL

- Position rail assembly onto Support Blocks.

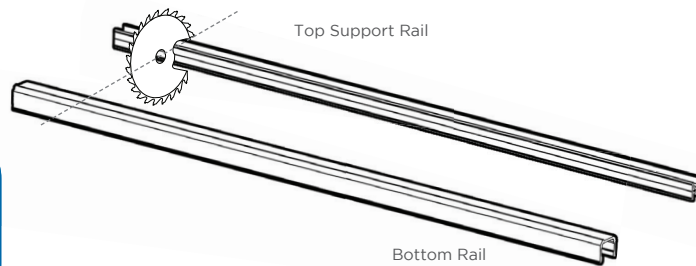


5

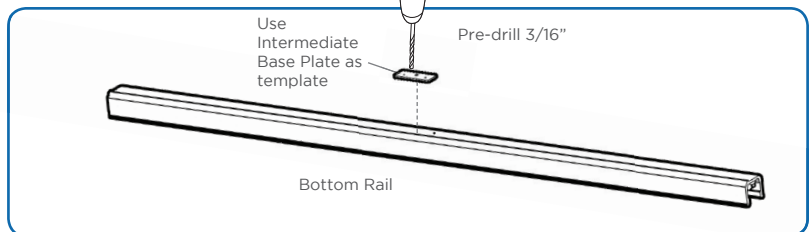
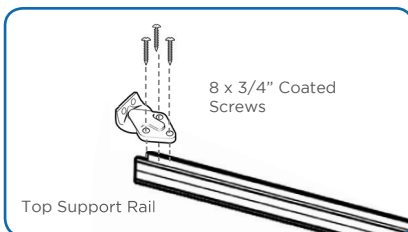


CUT AND PREP BOTTOM RAIL AND TOP SUPPORT RAIL

- Measure distance between the posts at the Bottom Rail and Top Support Rail.
- Cut to length.
- Attach Brackets to the Top Support Rail.



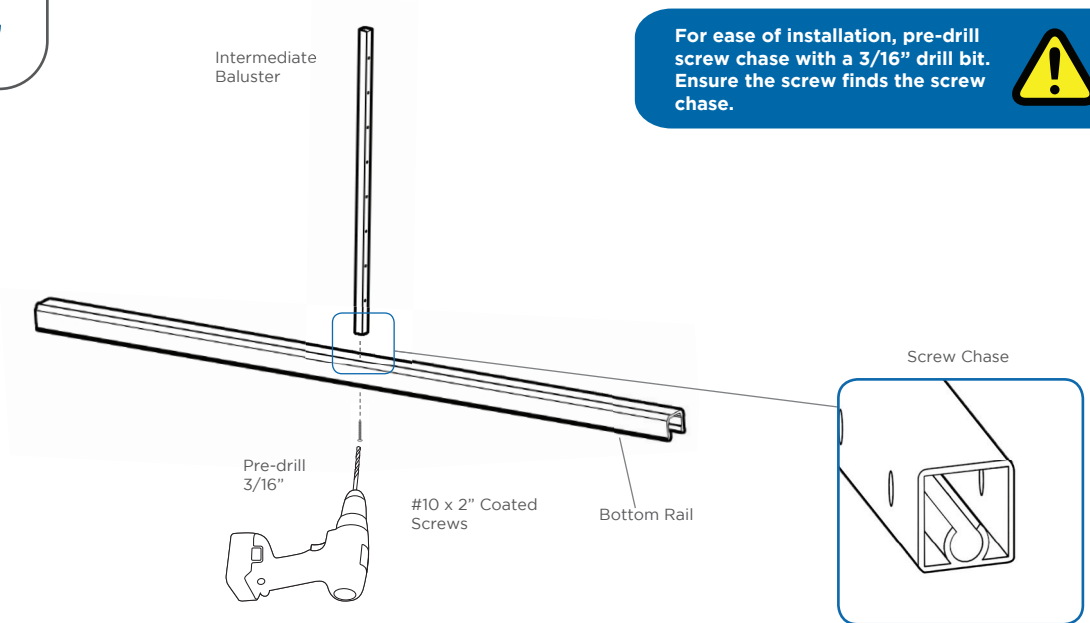
6' sections require 1 Intermediate Baluster;
8' sections require 2 Intermediate Balusters.
10' sections require 3 Intermediate Balusters.



6



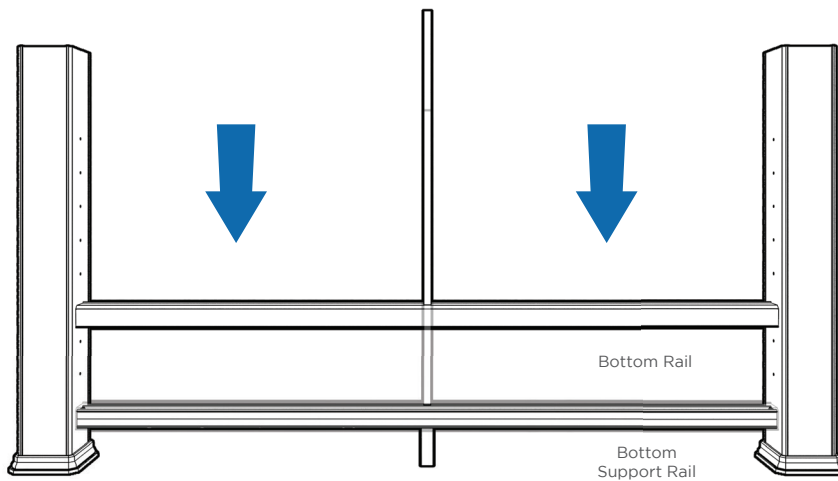
ATTACH INTERMEDIATE BALUSTERS



7

INSTALL BOTTOM RAIL

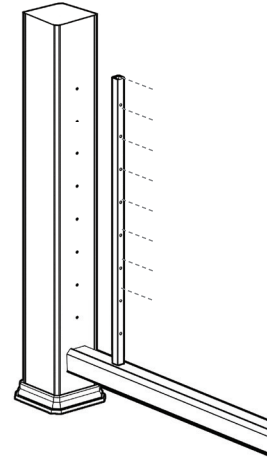
- Place the Bottom Rail between the posts and allow the rail to rest on the Bottom Support Rail.



8

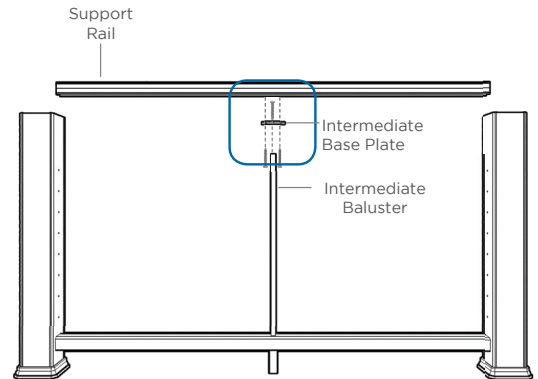
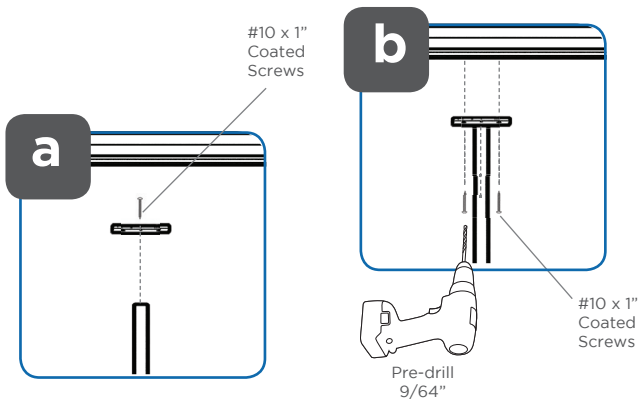
TRANSFER HOLE LOCATION ONTO POST SLEEVE

- Use an extra Intermediate Baluster, rested on the Bottom Rail, as a template for the CableRail Hardware and through holes.
- Using a 3/16" drill bit to transfer your marks onto the Post Sleeve.



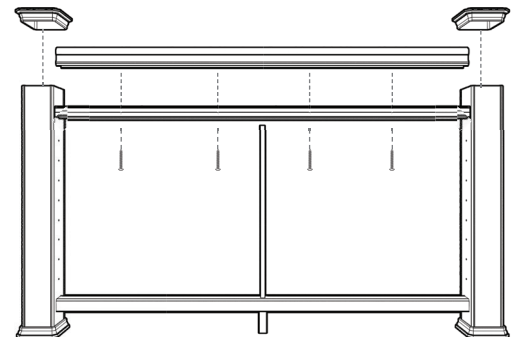
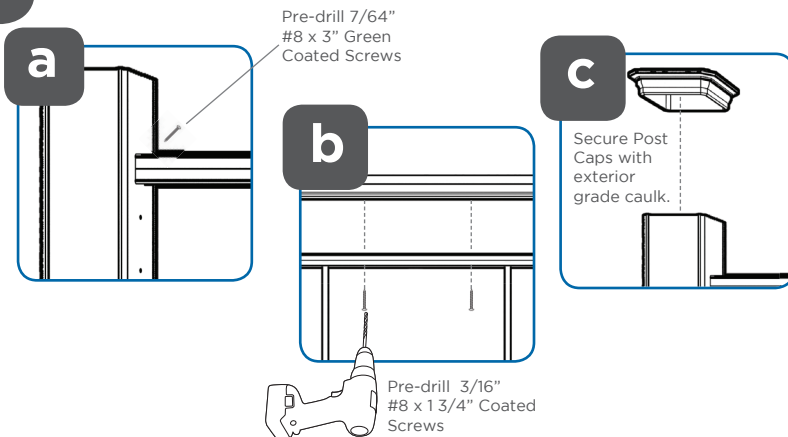
9

ATTACH TOP SUPPORT RAIL

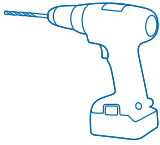


10

INSTALL TOP RAIL AND POST CAPS



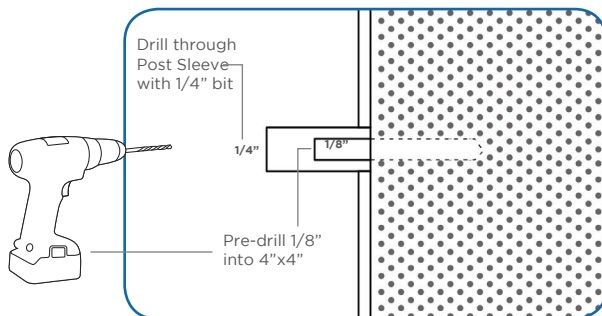
1



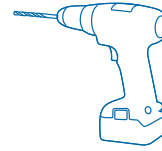
PRE-DRILL ANCHOR POST SLEEVE

- Using the marks on the Anchor Posts, drill a through hole only in the Post Sleeve with a 1/4" Bit drill.

! Anchor posts should not exceed 60 feet apart during any continuous run of cable.



2

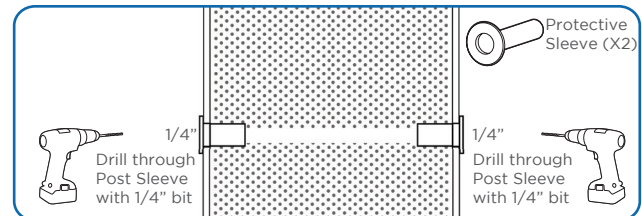
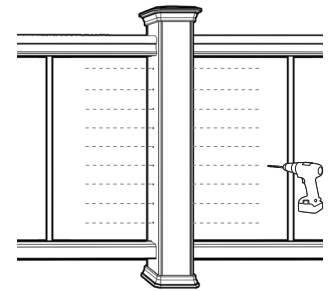


PRE-DRILL THROUGH POST SLEEVES

- For the through posts, drill a 1/4" hole through both the Post and Post Sleeve.

Optional - Protector Sleeves are not required on the through posts, but do offer a more finished appearance.

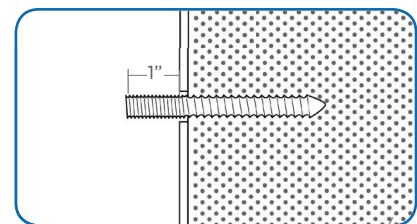
Use a dab of adhesive on Protector Sleeve if needed.



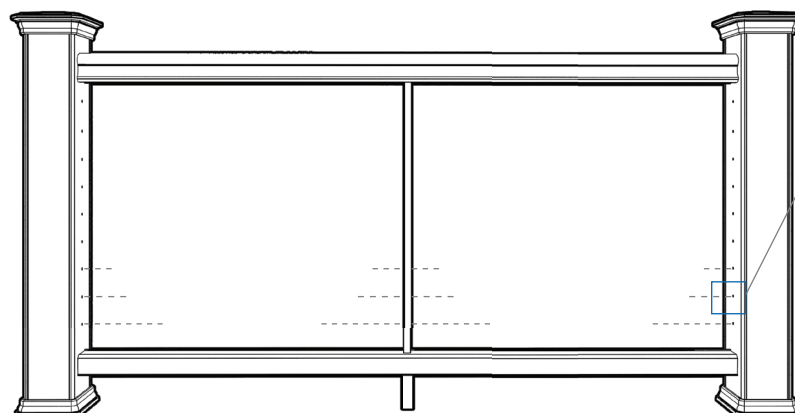
3

DRIVE IN HANGER BOLTS

- On Anchor Posts, screw the Hanger Bolts into the pilot holes in the Post with the Hanger Bolt Installation Tool.
- Once Hanger Bolts are all driven in, then screw on Quick-Connect Fittings.



Leave about 1" of machine thread exposed for cable take-up.

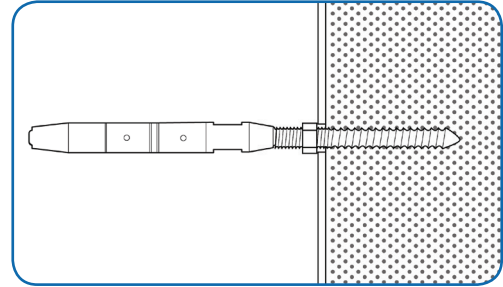
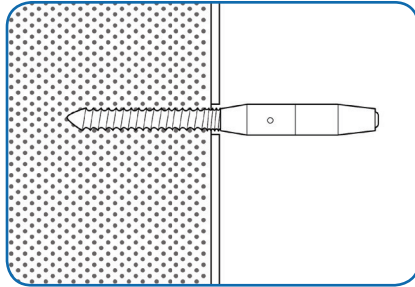


4

ATTACH QUICK-CONNECT AND QUICK-CONNECT SWIVEL FITTINGS

- Screw on Quick-Connect fittings snugly against Post Sleeve onto one side of the railing and lock nuts onto hanger bolts on the other side.
- Screw on Quick-Connect Swivel fitting onto the Hanger Bolt with the lock nut already installed.

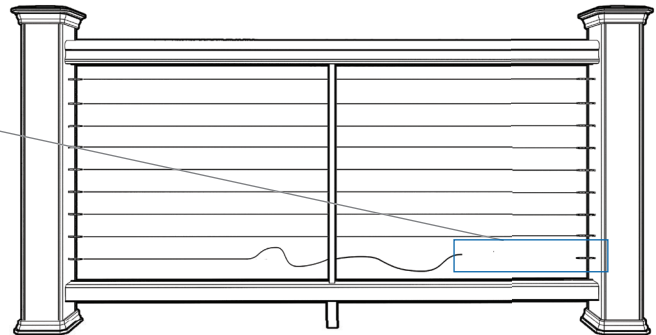
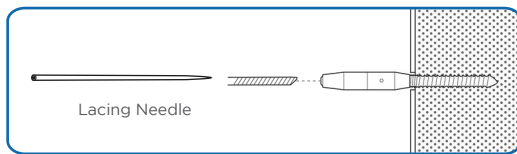
One side of the railing will be only Quick-Connect fittings, the other side will be Quick Connect swivel fittings and lock nuts.



5

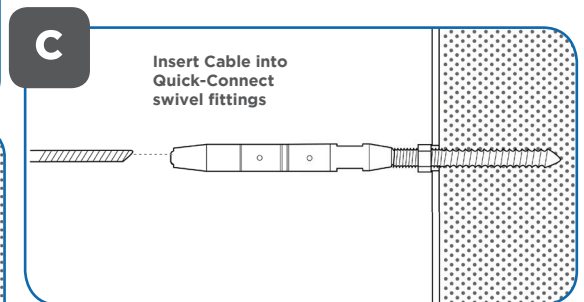
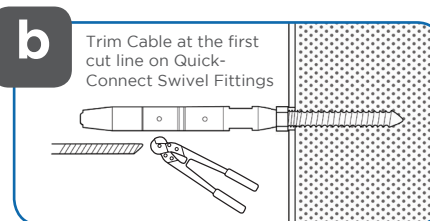
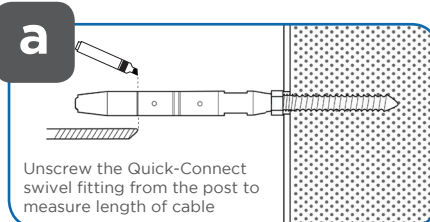
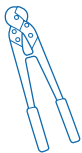
INSERT AND THREAD CABLE

- When all of the hardware is in place, insert one end of the Cable into the Quick-Connect fitting.
- Feed the Cable through the Intermediate Baluster (or through posts) with a lacing needle.

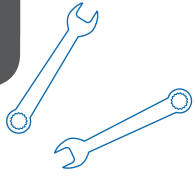


6

CUT CABLE TO LENGTH

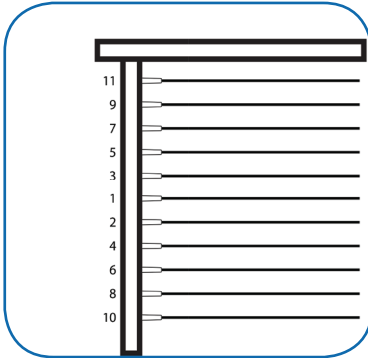


6

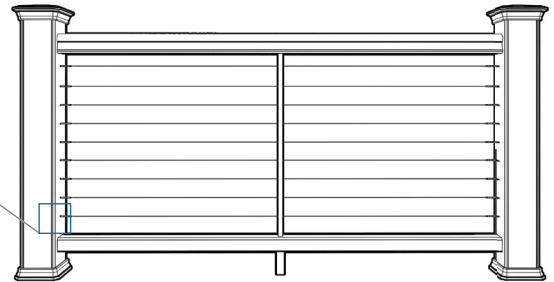
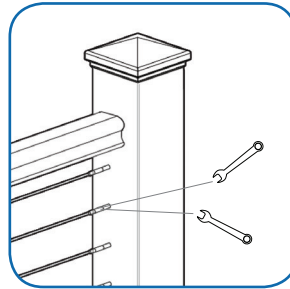


ATTACH QUICK-CONNECT AND QUICK-CONNECT CABLE FITTINGS

- Use a set of 3/8" open-ended wrenches to tighten the Cable using the "swivel" end insuring the Cable does not twist.
- Once the Cable is tight, tighten the lock nuts against the Quick-Connect swivel fitting.

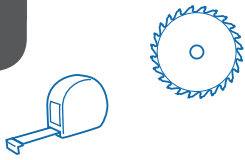


Tightening Order



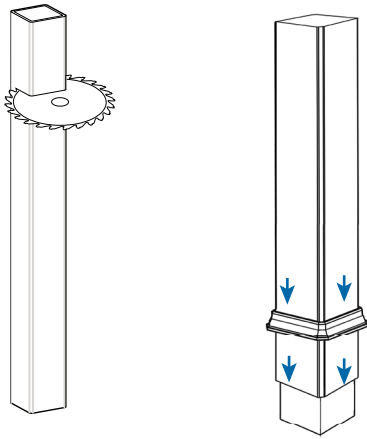
If necessary, the Cable can be removed from the Quick-Connect fitting by using the Quick-Connect Release Tool.

1

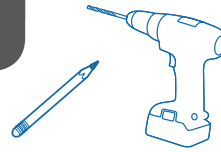


INSTALL POST SLEEVES

- Trim Post Sleeve to desired length.
- Slide Post Sleeve and Post Skirt over post (do not force).
- Ensure posts are square and plumb.



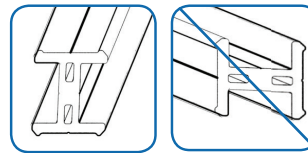
2



MEASURE SUPPORT RAILS

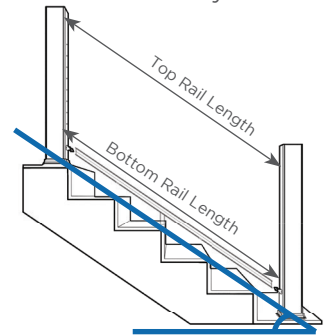
- Determine measurements and angle as shown.
- Trim both the Top Support Rail and the Bottom Support Rail to those dimensions.
- Test fit rails to check for accuracy.

Support Rails are rotated 90° for stair rail applications.



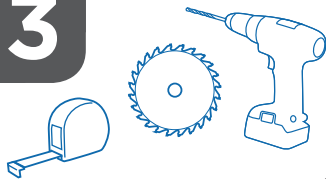
Right

Wrong



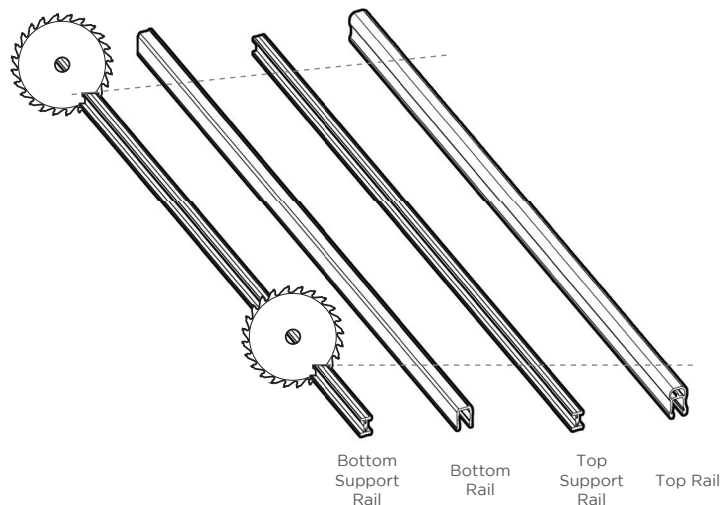
Stair Angle

3



TRIM RAILS

- Transfer measurement from both Support Rails to Bottom Rail and Top Rail.
- Trim Top Rail and Bottom Rail to match the Support Rails at the appropriate angle.



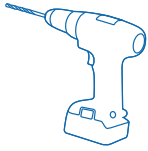
Bottom Support Rail

Bottom Rail

Top Support Rail

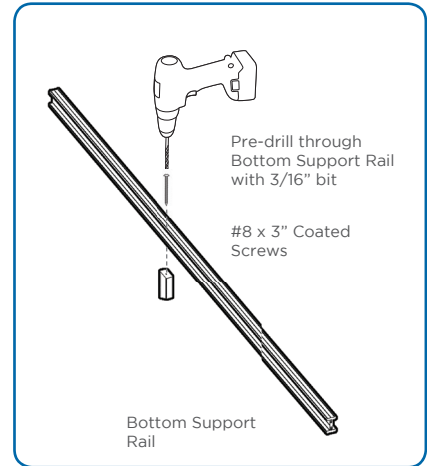
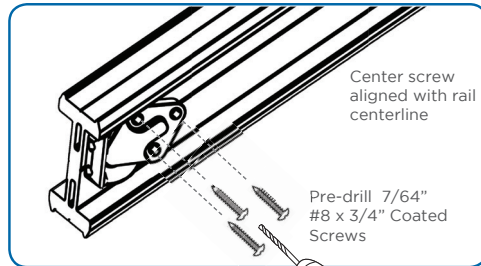
Top Rail

4



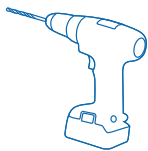
PREP BOTTOM SUPPORT RAIL

- Attach Mounting Brackets to Bottom Support Rail.
- Trim and Attach Foot Blocks.



For sections up to 6': Place one Foot Block in the center of the rail.
For sections 6' to 8': Space two Foot Blocks approximately at 1/3 intervals on the rail.

5

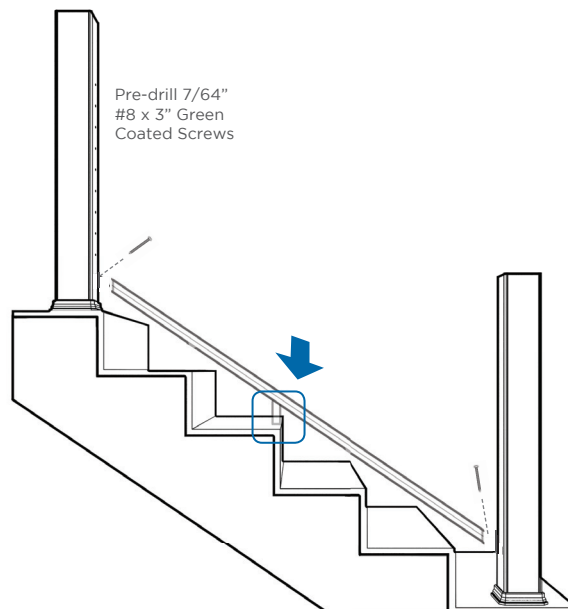


INSTALL BOTTOM SUPPORT RAIL

- Secure Mounting Brackets.



Brackets must be installed to the stair tread side of the rail.

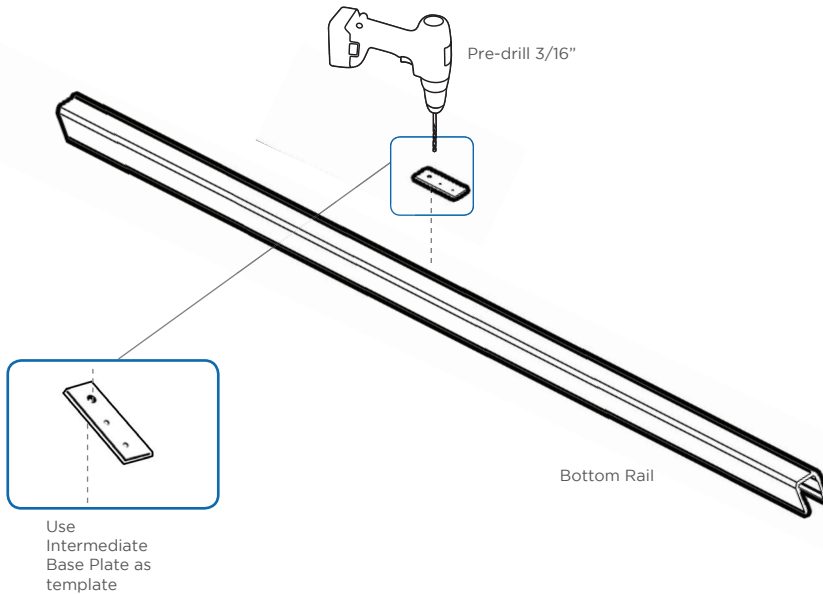


6

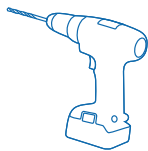


PRE-DRILL BOTTOM RAIL

Use the Intermediate Base Plate as a Template, as shown to the right.



7

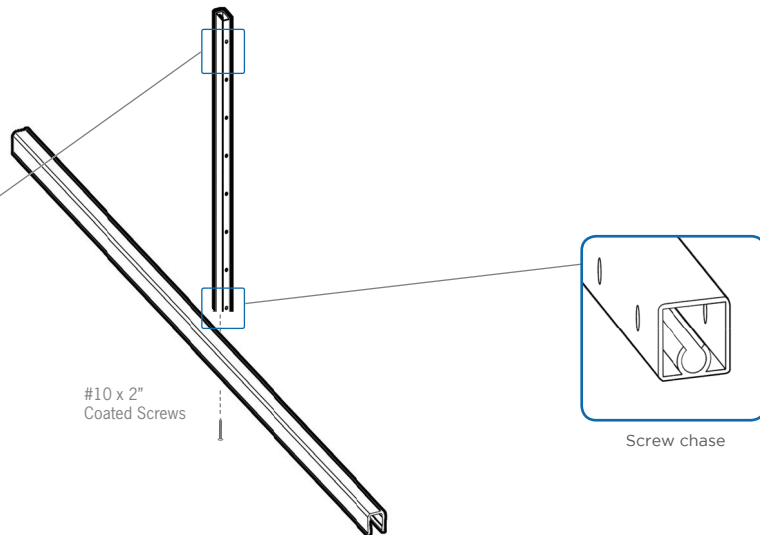
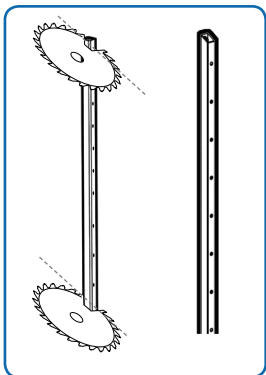


ATTACH STAIR INTERMEDIATE BALUSTER

- Trim Stair Intermediate Baluster to match stair angle.

! Be sure the screw finds the screw chase

For easier installation, pre-drill screw chase with a 3/16" drill bit.

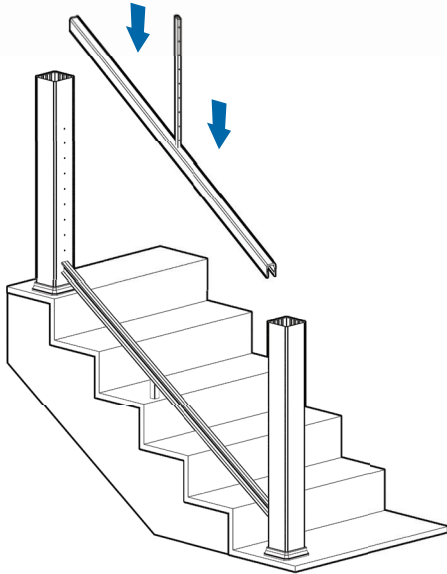


8

INSTALL BOTTOM RAIL

Lower the rails perpendicular to the deck surface.

- Place the Bottom Rail over the Bottom Support Rail with the Intermediate Baluster(s).



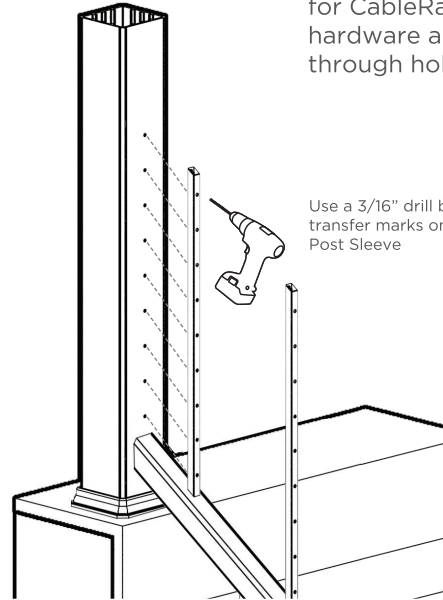
9

TRANSFER HOLE LOCATION ON POST SLEEVE

- Use an extra Intermediate Baluster as a template to mark for CableRail hardware and through holes.



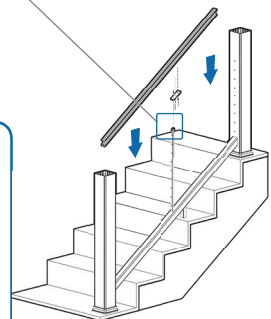
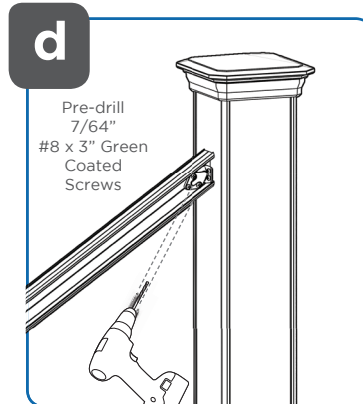
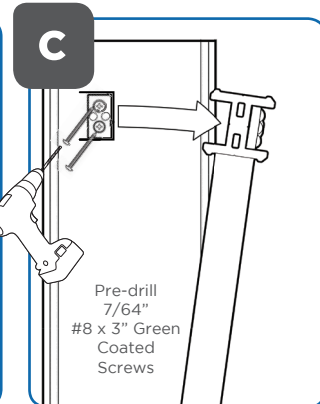
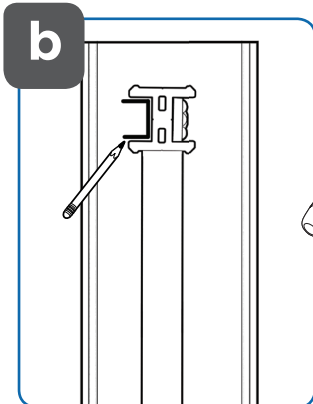
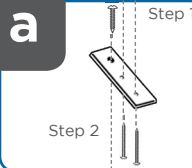
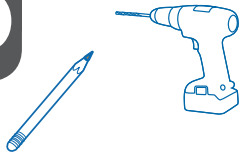
Use a 3/16" drill bit to transfer marks onto the Post Sleeve

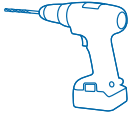


10

ATTACH TOP SUPPORT RAIL

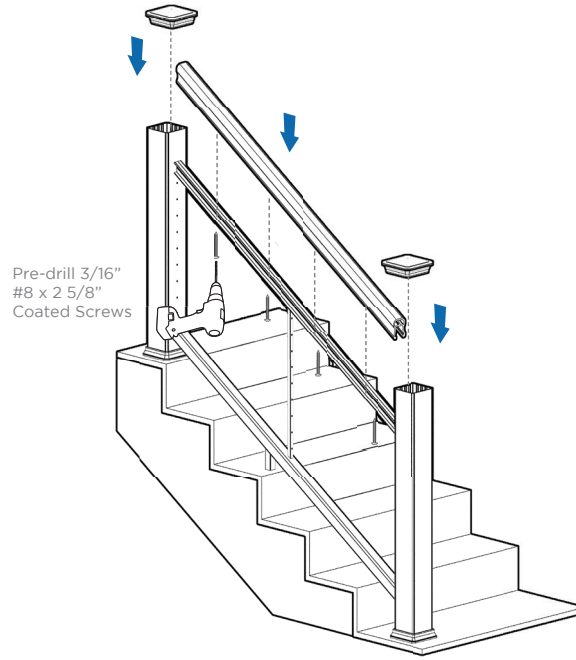
- Mark Ends of Top Support Rail.
- Rotate Rail assembly out of way to fasten Support Block.
- Secure Mounting Brackets to Posts.





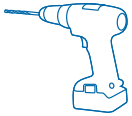
INSTALL TOP RAIL AND POST CAPS

- Position Top Rail over Support Rail and attach with screws.
- Secure Post Caps with exterior grade caulk.



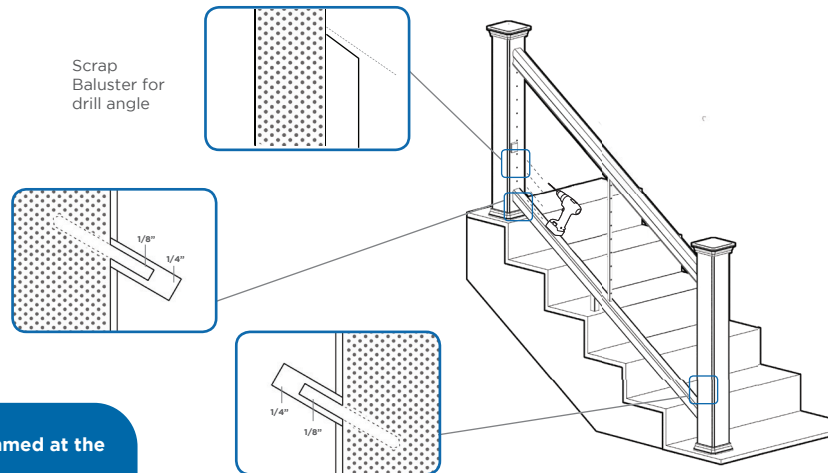
Installing CableRail by Feeney[®] Stairs for AZEK Rail

1



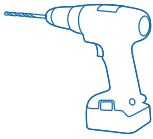
PRE-DRILL ANCHOR POST SLEEVE

Drill a through hole only in the post sleeve with a 1/4" drill bit at the same angle as the stair run



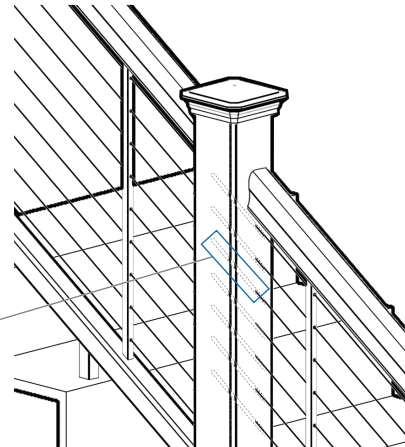
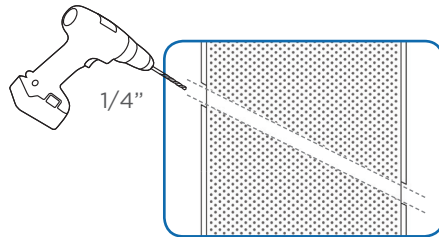
Use a scrap piece of baluster trimmed at the stair angle as a guide.
Anchor posts should not exceed 60 feet apart during any continuous run of cable.

2



PRE-DRILL THROUGH POST SLEEVES

- Drill a 1/4" hole through both the Post and Post Sleeve at stair angle.

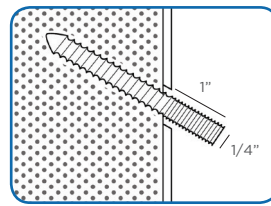


3

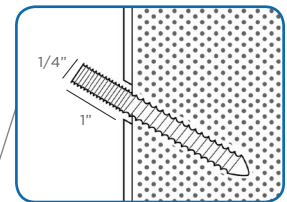
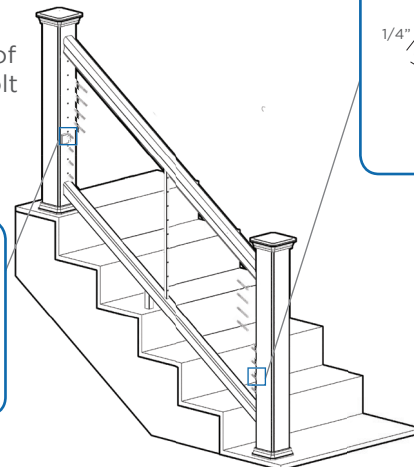
DRIVE IN HANGER BOLTS

- Screw Hanger Bolts into the pilot holes at the same angle of the stairs using the Hanger Bolt Installation Tool.

Leave about 1" of machine thread exposed for cable take-up.



Top Anchor Post



Bottom Anchor Post

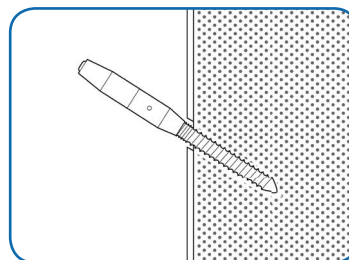
4

ATTACH QUICK CONNECT FITTINGS

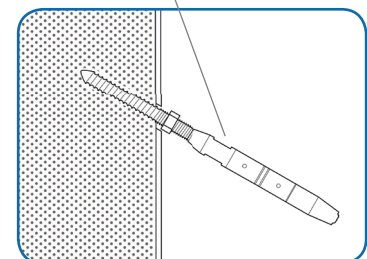
- Place one Quick-Connect fitting at one end and the Quick-Connect Swivel fitting on the opposite end.



One side of the railing will be only Quick-Connect fittings, the other side will be Quick-Connect swivel fittings and lock nuts



Quick-Connect fitting with Lock Nut



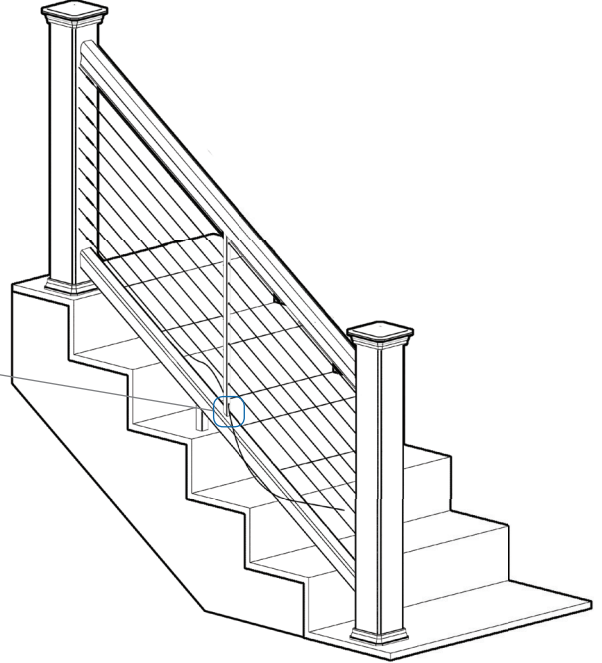
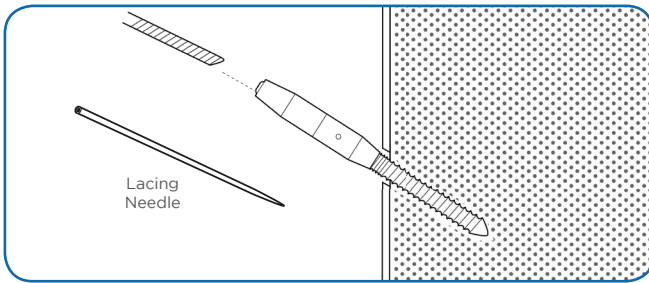
On the side with the lock nuts, screw on the Quick-Connect fittings after the lock nuts, onto the hanger bolts

5

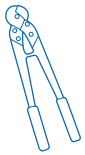


THREAD CABLE

- When all of the hardware is in place, insert one end of the Cable into the Quick-Connect fitting.
- Feed the Cable through the Intermediate Baluster (or through posts) with a lacing needle.

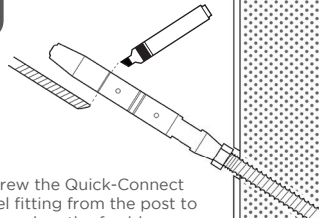


6



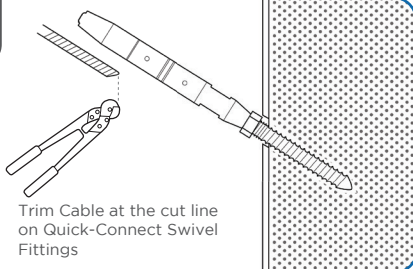
CUT CABLE TO LENGTH

a



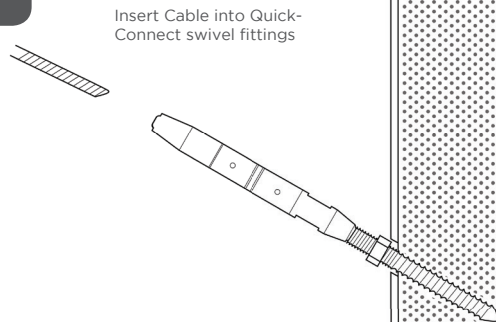
Unscrew the Quick-Connect swivel fitting from the post to measure length of cable

b



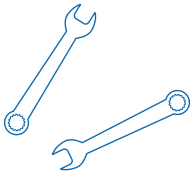
Trim Cable at the cut line on Quick-Connect Swivel Fittings

c



Insert Cable into Quick-Connect swivel fittings

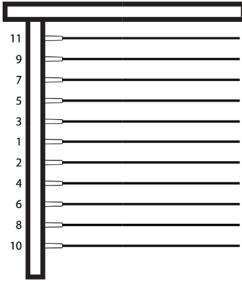
7



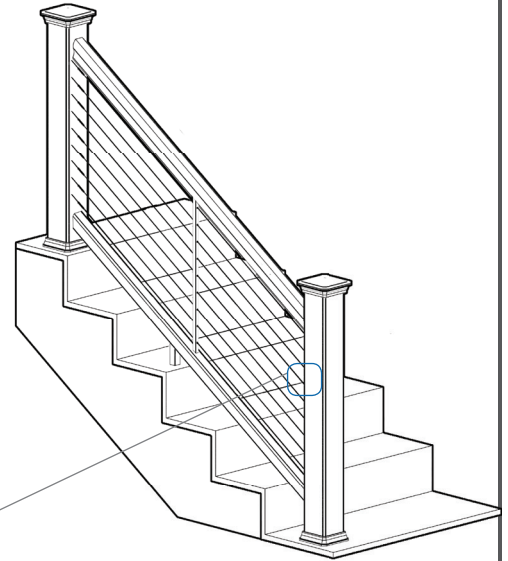
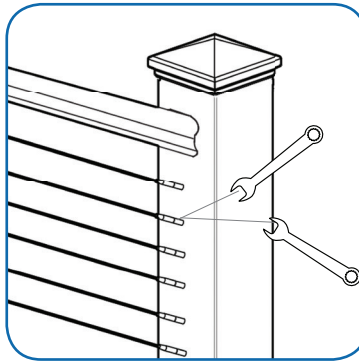
TIGHTEN CABLE

- Once the Cable is tight, tighten the lock nuts against the Quick-Connect swivel fittings.

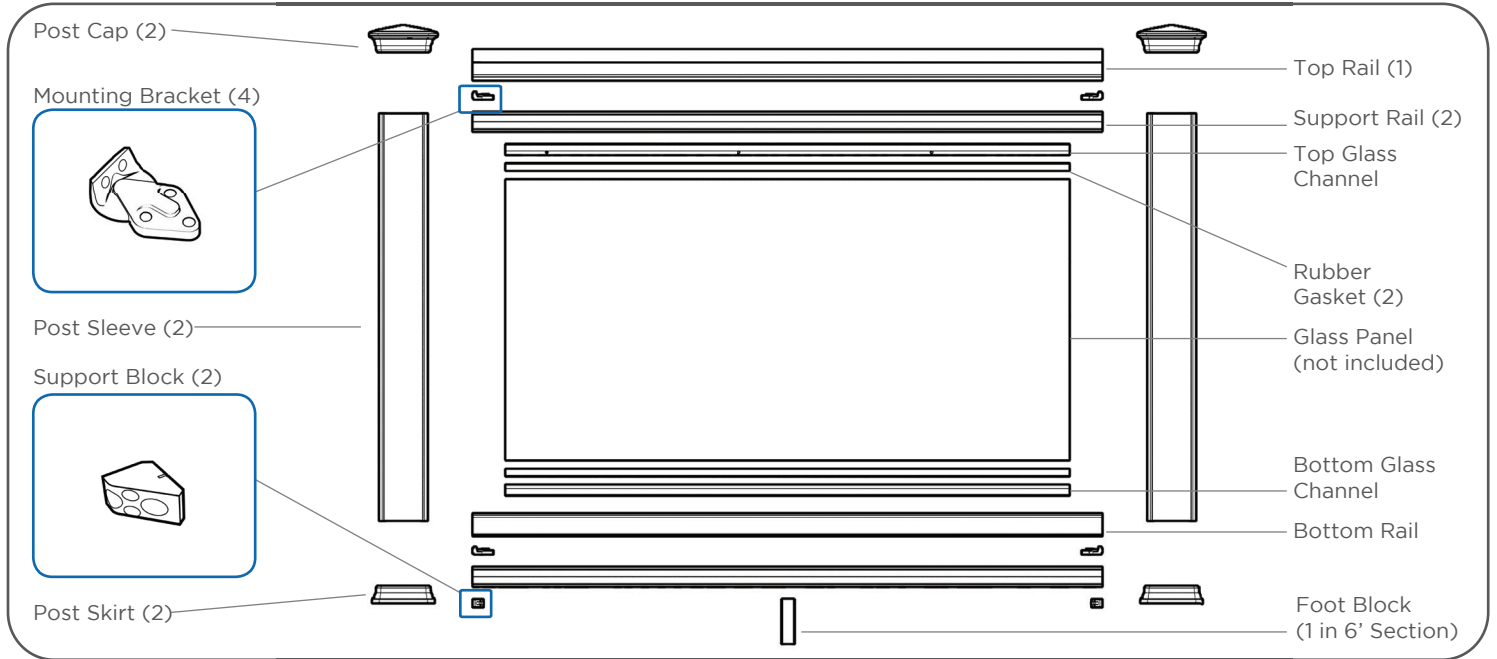
Tightening Order



If necessary, the Cable can be removed from the Quick-Connect fitting by using the Quick-Connect Release Tool



Use a set of 3/8" open-ended wrenches to tighten the Cable using the "swivel" end insuring the Cable does not twist.



AZEK Rail with Glass Infill is available in 6' lengths.

Visit www.azek.com/installation to view AZEK installation videos. Consult your local building codes for guard and handrail requirements.

Tools Required

- Miter Saw
- Drill
- Measuring Tape
- 7/64" Drill Bit
- 3/16" Drill Bit

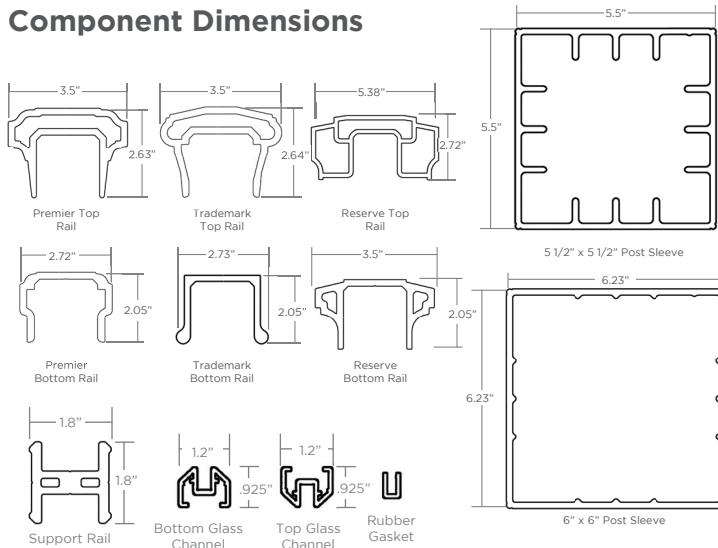
Measuring Your Railing Area

- Measurements are from center to center of post. Rails are produced in 6' lengths to allow for finished end cuts and angles.
- Determine how many 6' AZEK Custom Rail Packs you need and check to be sure you have all the components (and quantities) listed in the chart shown to the right.

Important Information

- ⚠ AZEK Rail 6' Rails are designed not to exceed 6' center of post to center of post.
- Cut slowly, using a fine tooth saw blade to avoid chipping.
- For 42" railing use 54" Post Sleeves.

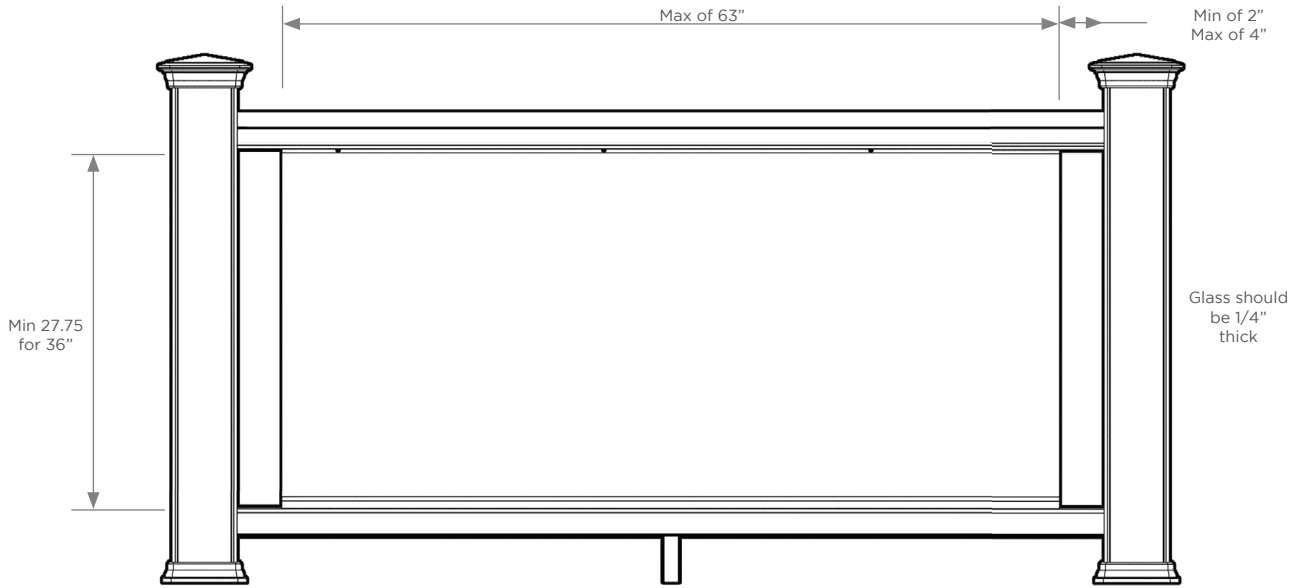
Component Dimensions



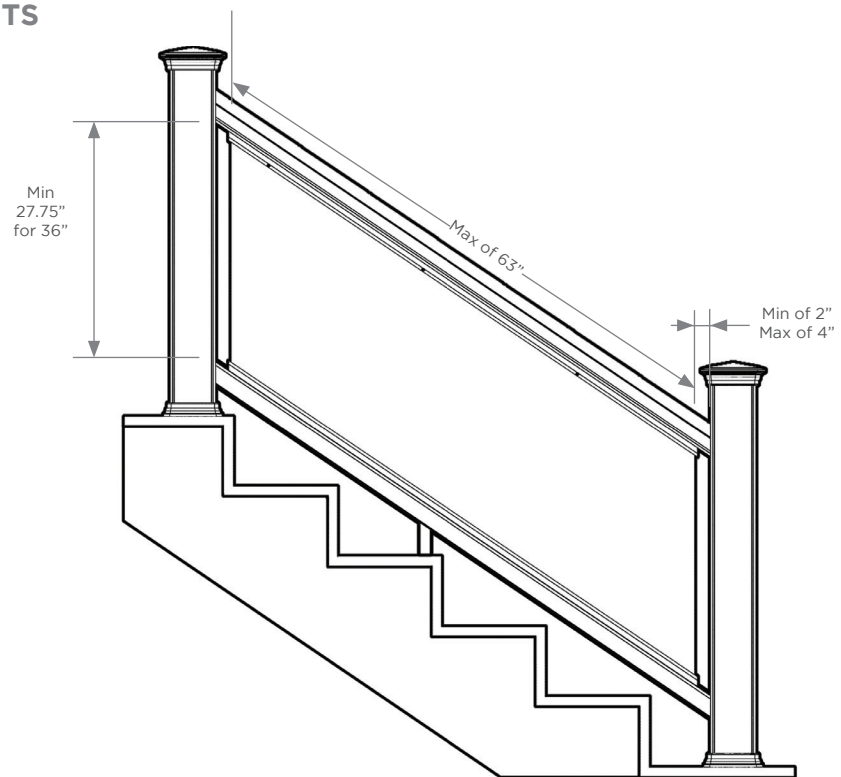
Components Needed For Installing The AZEK Rail Section

Components available separately for mix-and-match rail systems	AZEK Custom Rail Pack	1 - Top Rail 1 - Bottom Rail 2 - Support Rails Hardware Mounting Kit Support Block Mounting Templates 1 - Foot Block
Hardware included in Hardware Kits:		4 - Mounting Brackets 2 - Support Blocks 16 - #8 x 3/4" Screws 6 - #8 x 1 3/4" Screws 6 - #8 x 2 5/8" Screws (Stairs Only) 6 - #8 x 3" Screws 12 - #8 x 3" Green Screws T20 Driver Bit
Glass Hardware Pack		1 - Top Glass Channel 1 - Bottom Glass Channel 2 - Rubber Gaskets 6 - #8 x 2 1/4" Screws 6 - #8 x 3" Screws 3 - #8 x 1" Screws
Additional Components Needed for Each System	⚠	1/4" Tempered Glass must be sourced locally (See attached reference sheet). 2 - Post Caps 2 - Post Sleeves 2 - Post Skirts

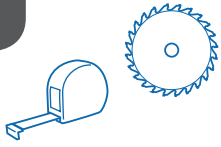
DIMENSIONAL CONSTRAINTS FOR STRAIGHT SECTION



DIMENSIONAL CONSTRAINTS FOR STAIR SECTION

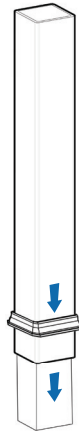
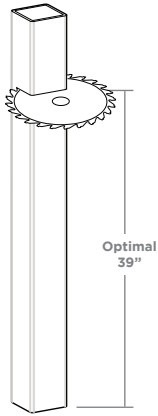


1



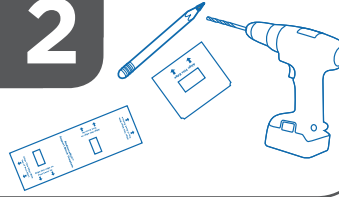
INSTALL POST SLEEVES

- Trim Post Sleeves to desired length.
- Slide Post Sleeve and Post Skirt over post. (DO NOT FORCE)
- Ensure post are square and plumb.



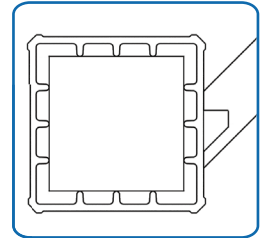
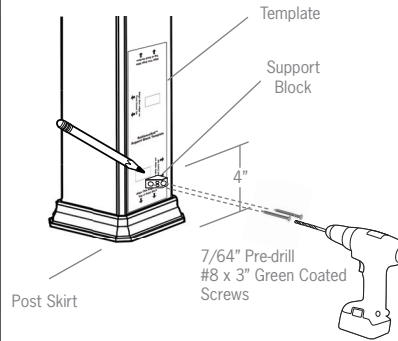
39" above deck surface is optimal for 36" railing heights.

2



INSTALL LOWER SUPPORT BLOCK

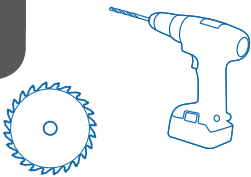
- Position template at bottom of post sleeve above post skirt.



For angled rail installations - align angled face of Support Block parallel to rail section.

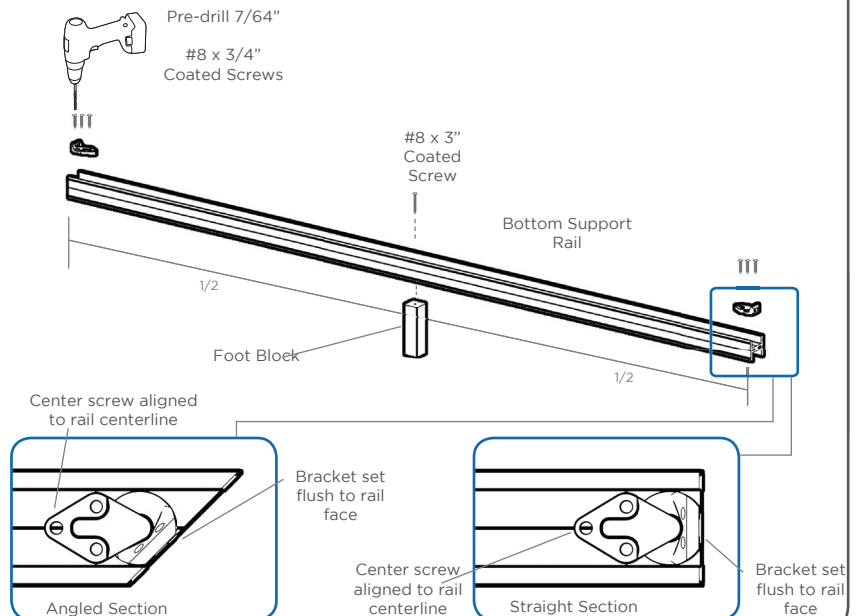
If you do not have a the template, position the top of the Support Block 4" above the deck.

3



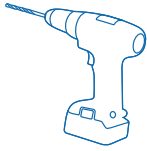
CUT AND ASSEMBLE BOTTOM SUPPORT RAIL

- Cut the Bottom Support Rail to length.



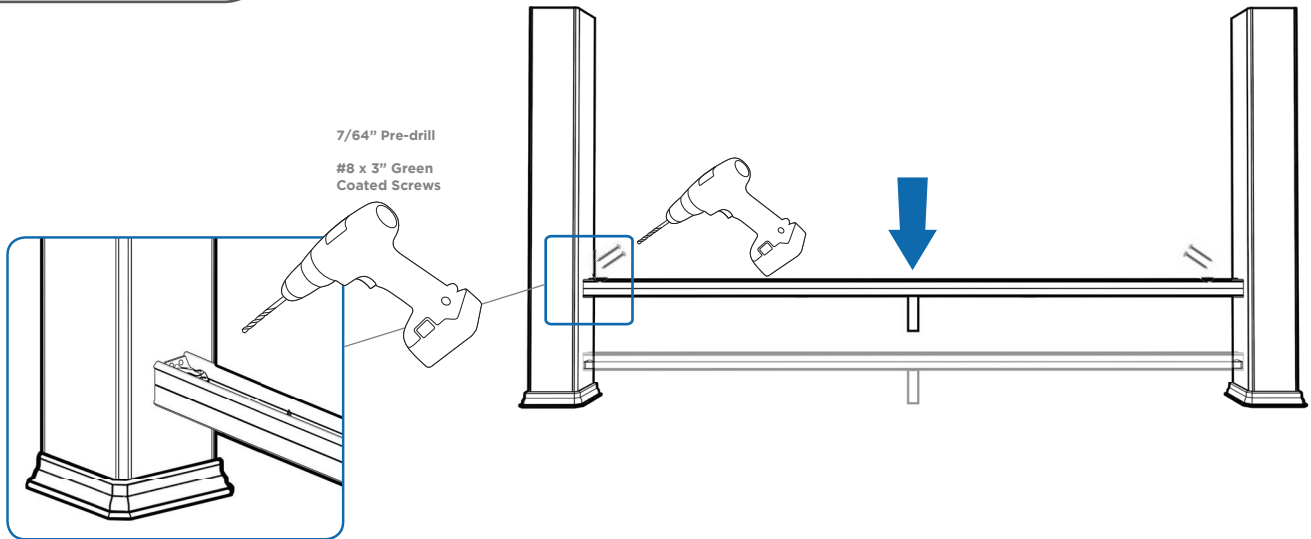
For sections up to 6': Place one Foot Block in the center of the rail

4

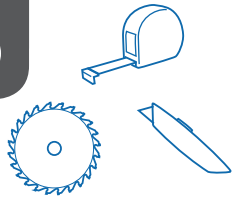


INSTALL BOTTOM SUPPORT RAIL

- Position rail assembly onto Support Blocks.

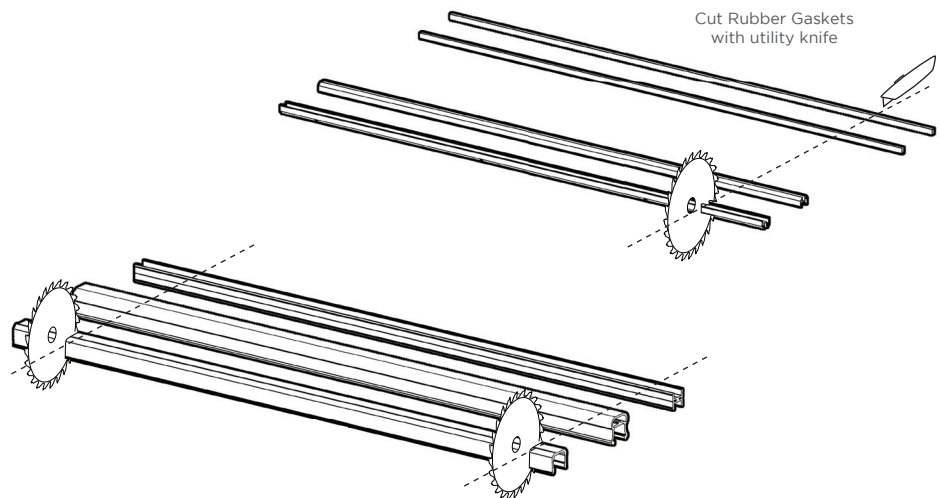


5



TRIM RAILS, EXTRUSIONS, AND GASKETS

- Measure distance between the posts at the Bottom Support Rail.
- Transfer measurement to Top & Bottom Rails, Top Support Rail and cut to length.
- Measure and cut Top and Bottom Glass Channels, and Rubber Gaskets to appropriate lengths.



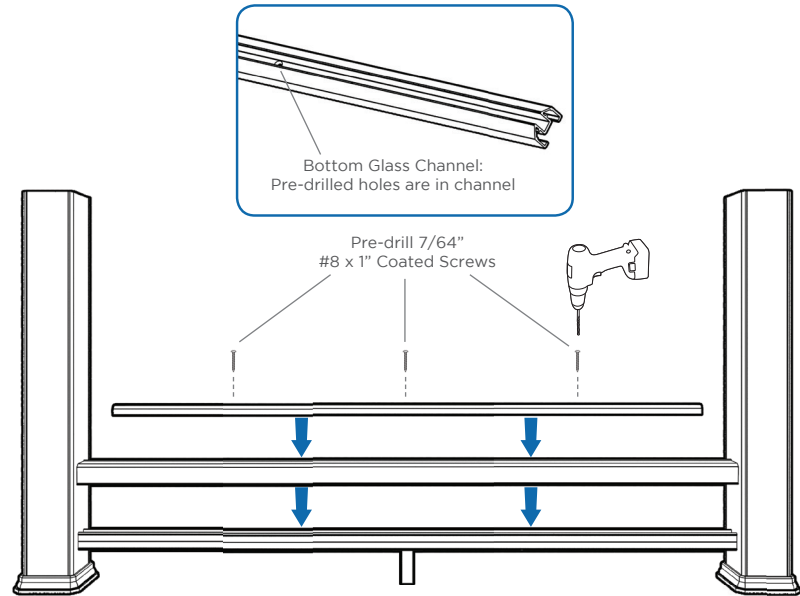
Glass Channels must be at least 4" shorter than rail.

6



ASSEMBLE LOWER RAIL SECTION

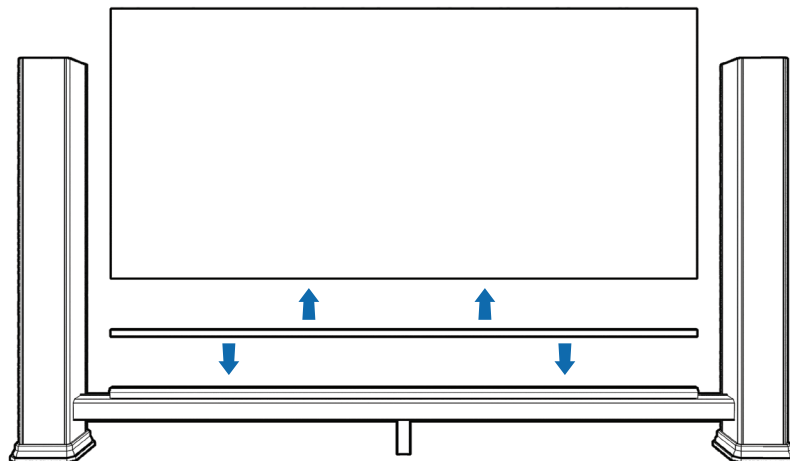
- Place Bottom Rail over Bottom Support Rail.
- Install Bottom Glass Channel utilizing pre-drilled holes.



7

ATTACH LOWER GASKET AND INSTALL GLASS PANEL

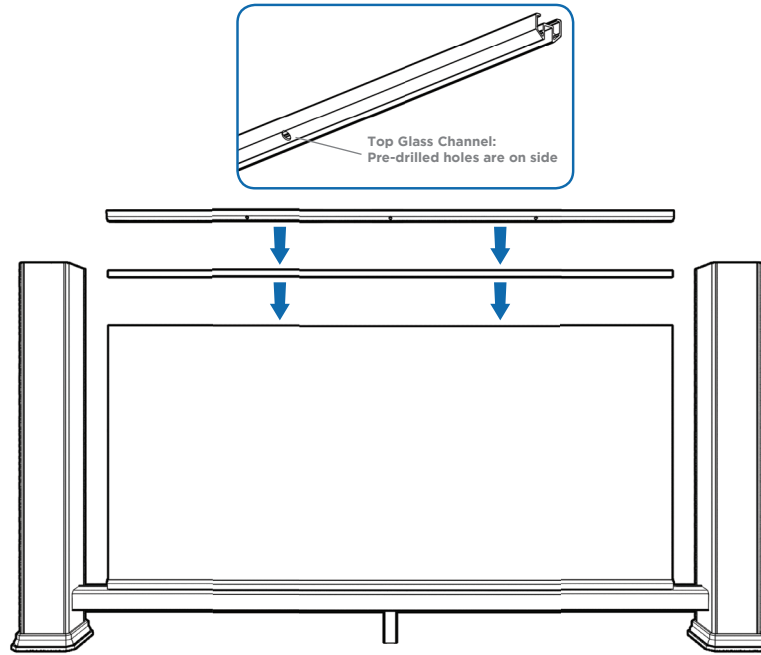
- Apply Rubber Gasket to bottom of Glass Panel first.
- Set panel/gasket assembly into Bottom Glass Channel.



8

INSTALL TOP GASKET AND TOP GLASS CHANNEL

- Place Rubber Gasket on top of glass panel.
- Fit Top Glass Channel onto glass panel assembly.

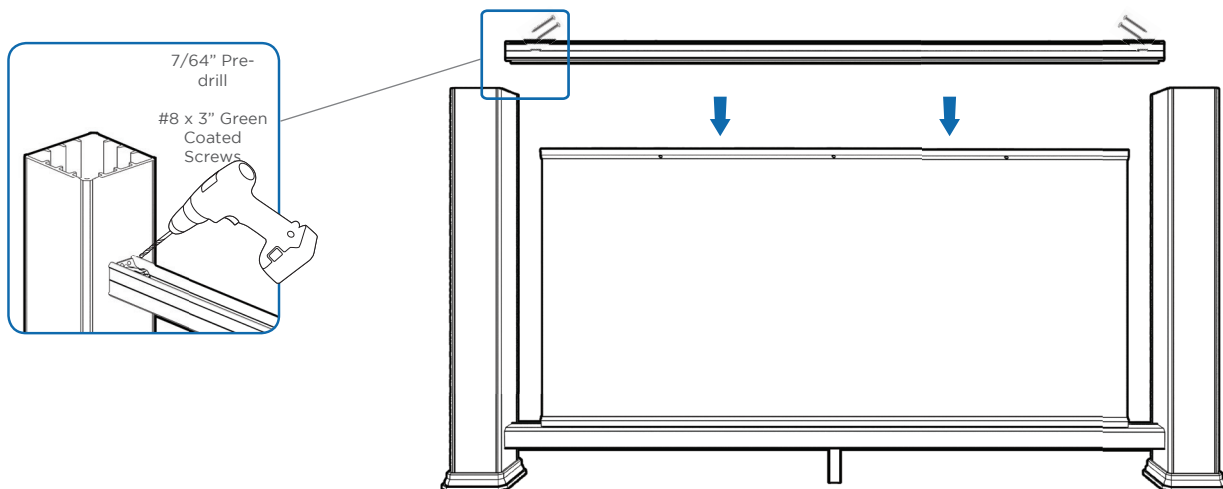
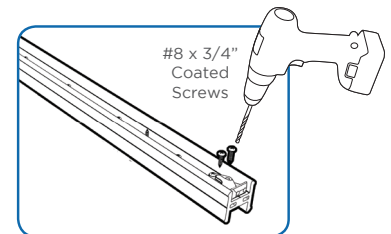


9



INSTALL TOP SUPPORT RAIL

- Align top Support Rail to center of Posts.
- Attach Brackets to Top Support Rail.

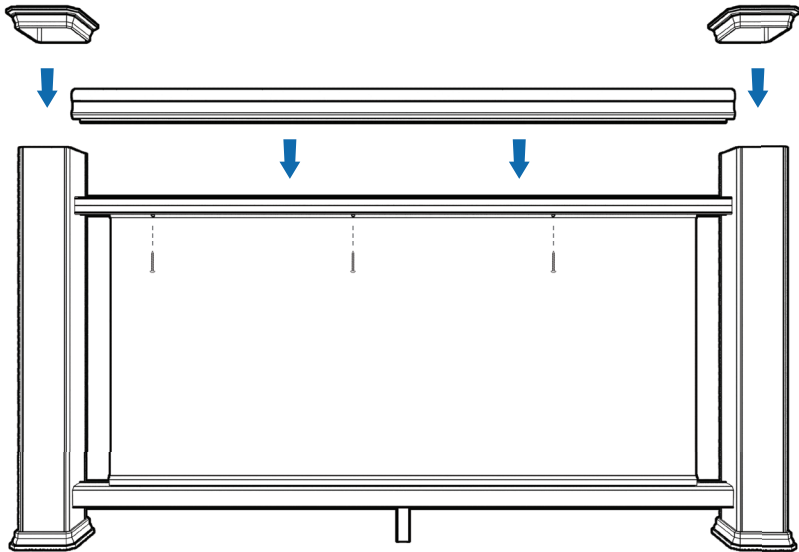
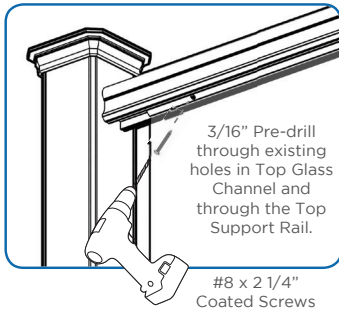


10



INSTALL TOP RAIL AND POST CAPS

- Attach Post Caps using exterior grade caulk applied to the underside of the Cap.

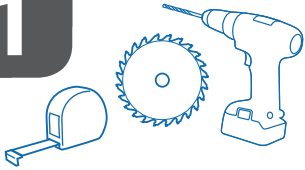


Caution: Screws must be 2 1/4" to attach the Top Rail on the Straight Rail sections.



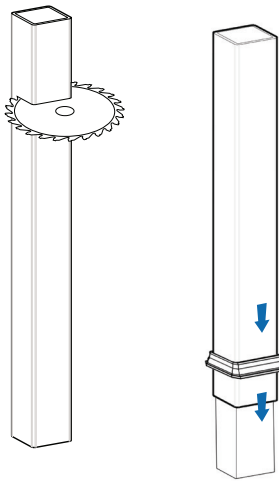
Consult your local building codes for guard and handrail requirements.

1

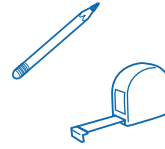


INSTALL POST COVERS

- Trim Post Sleeve to desired length.
- Slide Post Sleeve and Post Skirt over post. (do not force).
- Ensure Posts are square and plumb.



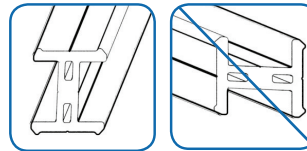
2



MEASURE RAILS

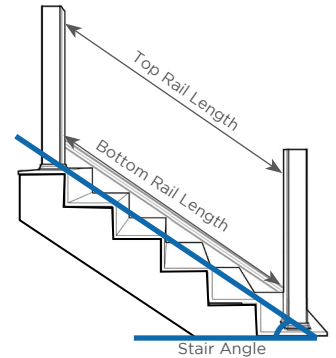
- Determine measurements and angle as shown. Transfer measurements to Top and Bottom Support Rails.

Support Rails are rotated 90° for stair rail applications.

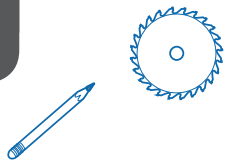


Right

Wrong

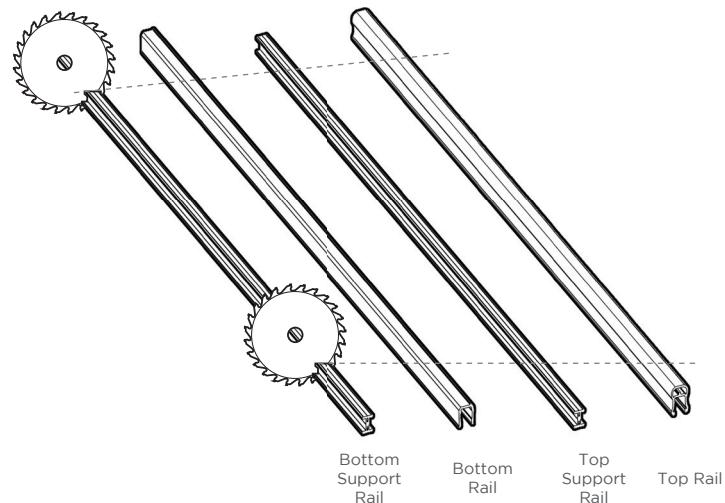


3



TRIM RAILS

- First trim both Top and Bottom Support Rails to dimensions from Step 2. TEST FIT for accuracy.
- Transfer measurement from Bottom and Top Support Rails to Bottom and Top Rails.
- Trim all Rails to measured lengths at appropriate angle.



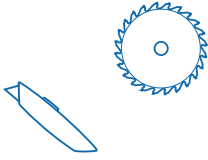
Bottom Support Rail

Bottom Rail

Top Support Rail

Top Rail

4

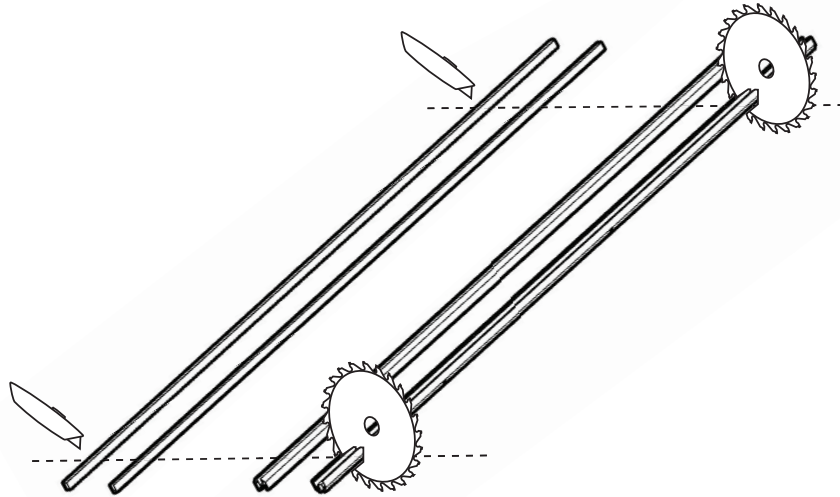


TRIM GLASS CHANNELS AND GASKETS

- Using lengths in Step 3 as a reference, measure and cut Top and Bottom Glass Channels, as well as both Rubber Gaskets at appropriate angle.



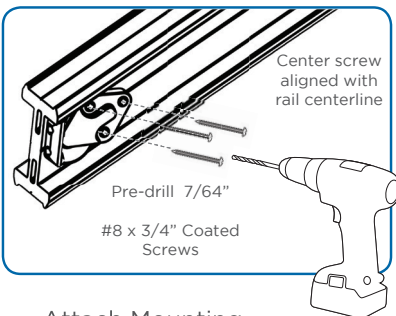
Glass Channels must be at least 4" shorter than rail.



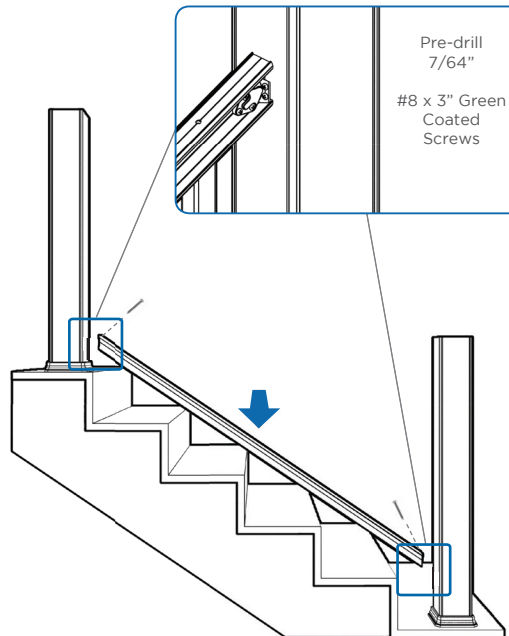
5



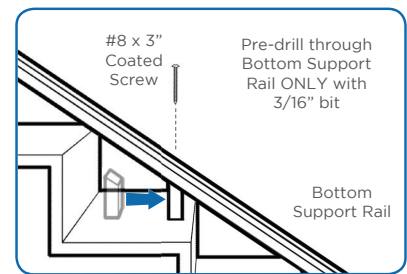
INSTALL BOTTOM SUPPORT RAIL



- Attach Mounting Brackets to Top AND Bottom Support Rails.



- Position Bottom Support Rail on the center of the posts and secure Mounting Brackets to posts.



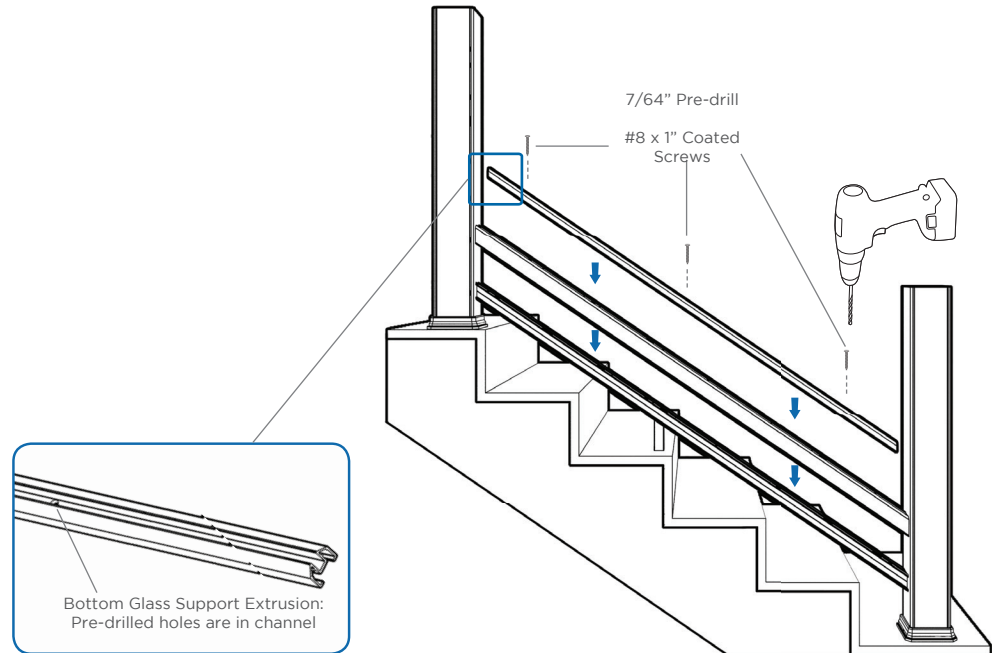
- Trim Foot Block and wedge under Support Rail & Attach.

6



ASSEMBLE LOWER RAIL SECTION

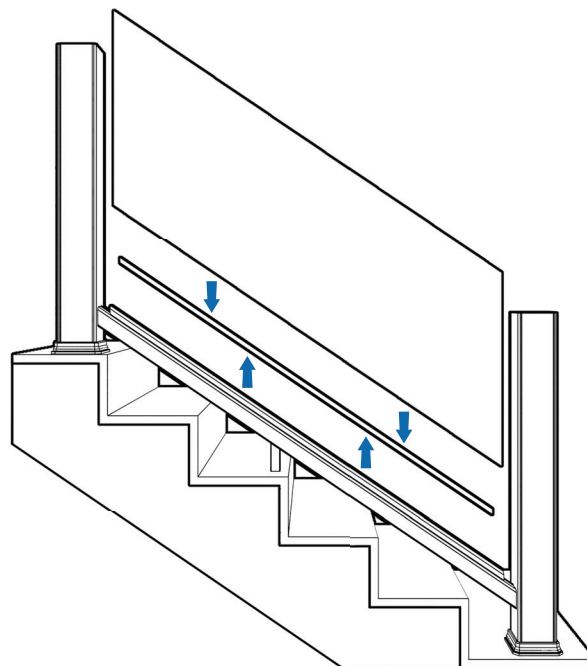
- Place Bottom Rail over Bottom Support Rail.
- Install Bottom Glass Channel utilizing pre-drilled holes.



7

ATTACH LOWER GASKET AND INSTALL GLASS PANEL

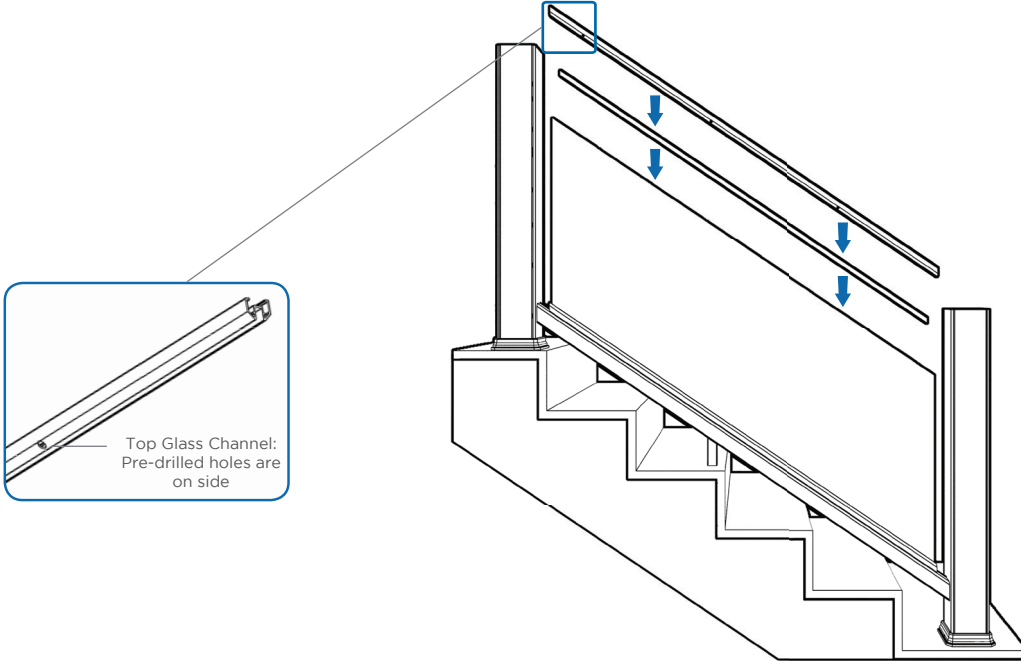
- Apply Rubber Gasket to bottom of Glass Panel first.
- Set panel/gasket assembly into Bottom Glass Channel.



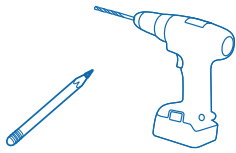
8

INSTALL TOP GASKET AND TOP GLASS CHANNEL

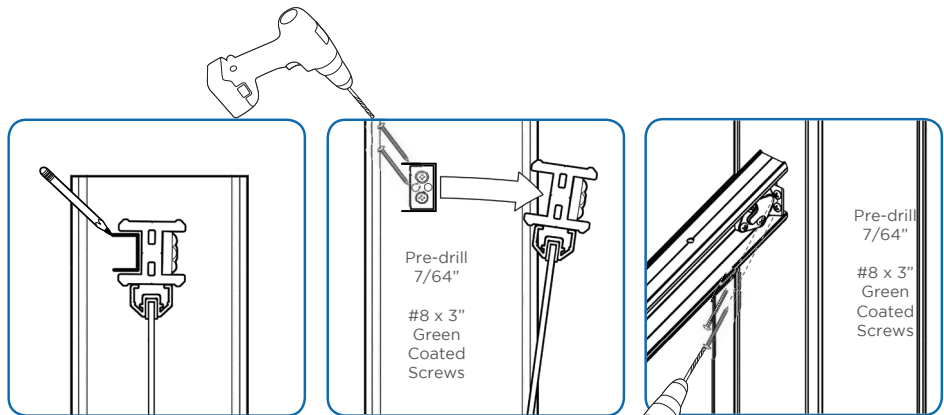
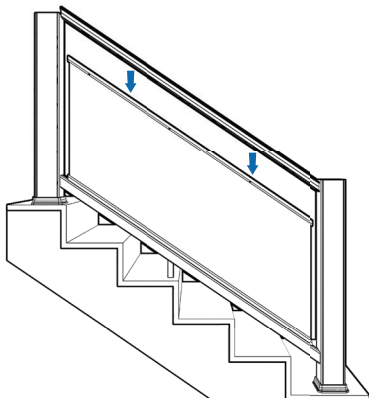
- Place Rubber Gasket on top of glass panel.
- Fit Top Glass Channel onto glass panel assembly.



9



INSTALL TOP SUPPORT RAIL



- Mark Ends of Top Support Rail.

- Rotate Rail assembly out of way to fasten Support Block

- Secure Mounting Brackets to Posts.

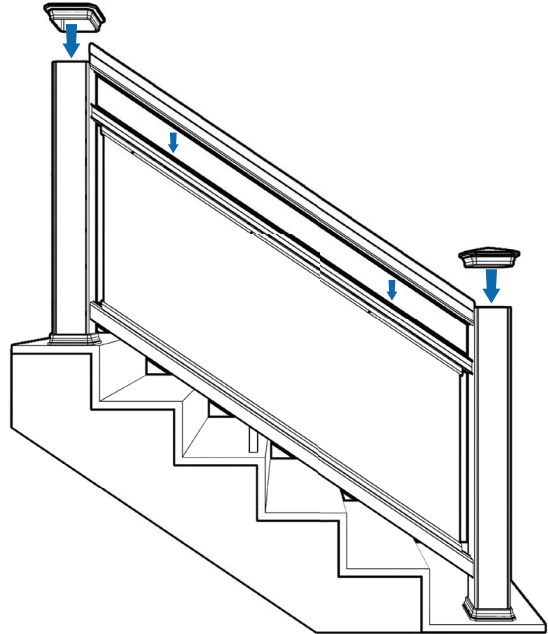
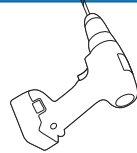
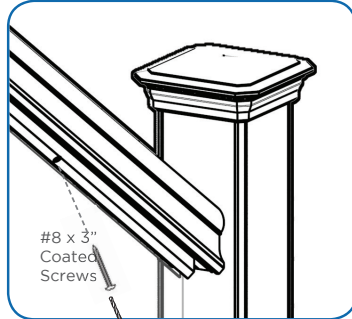
11



INSTALL TOP RAIL AND POST CAPS

- Attach Post caps using exterior grade caulk applied to the underside of the cap.

3/16" Pre-drill through existing holes in Top Glass Channel.



Screws must be 3" to attach the Top Rail on stair sections.



CPG Building Products, LLC
888 North Keyser Avenue • Scranton, PA 18504
www.AZEK.com • (877) ASK-AZEK (877) 275-2935