

Haier

Installation Instructions
Instructions d'installation
Instrucciones De Instalación
HMV1652

Microwave Oven

Four Micro-Onde

Horno Microondas



Part # 057000005

TABLE OF CONTENTS

MICROWAVE SAFETY	2
INSTALLATION REQUIREMENTS	4
Tools and Parts.....	4
LOCATION REQUIREMENTS.....	5
ELECTRICAL REQUIREMENTS.....	6
INSTALLATION INSTRUCTIONS	7
Step 1 – Unpacking	7
Step 2 - Locate Wall Studs.....	8
Step 3 - Prepare Over-Microwave Cabinet	8
Step 4 - Align Wall-Mounting Plate	10
Step 5 - Determine Installation Method.....	11
Step 6 - Install Microwave Oven.....	12
Step 6 - Install or Replace Charcoal Filter	27
Step 7 - Complete Installation	28

RECORD KEEPING

Thank you for purchasing this Haier product. This user manual will help you get the best performance from your new microwave.

For future reference, record the model and serial number located on the inside frame of the microwave, and the date of purchase.

Staple your proof of purchase to this manual to aid in obtaining warranty service if needed.

Model number

Serial number

Date of purchase

MICROWAVE SAFETY

Your safety and the safety of others are very important.

We have provided many important safety messages in this manual and on your appliance. Always read and obey all safety messages.



This is the safety alert symbol.

This symbol alerts you to potential hazards that can kill or hurt you and others. All safety messages will follow the safety alert symbol and either the word "DANGER," "WARNING" or "CAUTION."

These words mean:



An imminently hazardous situation. You could be killed or seriously injured if you don't immediately follow instructions.



A potentially hazardous situation which, if not avoided, could result in death or serious bodily injury.



A potentially hazardous situation which, if not avoided, may result in moderate or minor injury.

All safety messages will tell you what the potential hazard is, tell you how to reduce the chance of injury, and tell you what can happen if the instructions are not followed.

IMPORTANT SAFETY INSTRUCTIONS

WARNING: To reduce the risk of fire, electrical shock, injury to persons, or damage when using the microwave oven, follow basic precautions, including the following:

- Read all instructions before using the microwave oven.
- This appliance must be properly grounded to avoid severe or fatal shock.
- This product requires a 3 prong grounded outlet. The installer must perform a ground continuity check on the power outlet box before beginning the installation to insure that the outlet box is properly grounded. If not properly grounded, or if the outlet box does not meet electrical requirements noted (under ELECTRICAL REQUIREMENTS), a qualified electrician should be employed to correct any deficiencies.
- The power cord of this appliance is equipped with a 3 prong (grounding plug which mates with a standard 3 prong (grounding) wall receptacle to minimize the possibility of electric shock hazard from this appliance.
- You should have the wall receptacle and circuit checked by a qualified electrician to make sure the receptacle is properly grounded. Where a standard two-prong wall receptacle is encountered, it is very important to have it replaced with a properly grounded 3 prong wall receptacle, installed by a qualified electrician.
- Do not, under any circumstances, cut, deform or remove any of the prongs from the power cord. Do not use with an extension cord.
- Remove house fuse or open circuit breaker before beginning installation to avoid severe or fatal shock injury.
- The mounting surface must be capable of supporting the cabinet load, in addition to the added weight of this 63–85 pound (28.5– 38.5 kg) product, plus additional oven loads of up to 50 pounds (22.7 kg) or a total weight of 113–135 pounds (51.3–61.2 kg).
- This product cannot be installed in cabinet arrangements such as an island or a peninsula. It must be mounted to BOTH a top cabinet AND a wall.
- It is recommended that two people install this product.

READ AND SAVE THESE INSTRUCTIONS

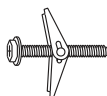
INSTALLATION REQUIREMENTS

TOOLS AND PARTS

PARTS PROVIDED



Wood Screws
($\frac{1}{4}$ " x 2")



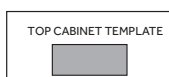
Toggle Bolts (and wing nuts)
($\frac{3}{16}$ " x 3")



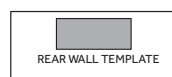
Self-Aligning Machine Screws
($\frac{1}{4}$ "-28 x $3\frac{1}{4}$ ")



Nylon Grommet
(for metal cabinets)



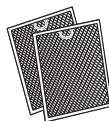
Top Cabinet Template



Rear Wall Template



Installation Instructions



Separately Packed
Grease Filters



Exhaust Adaptor



Glass Tray

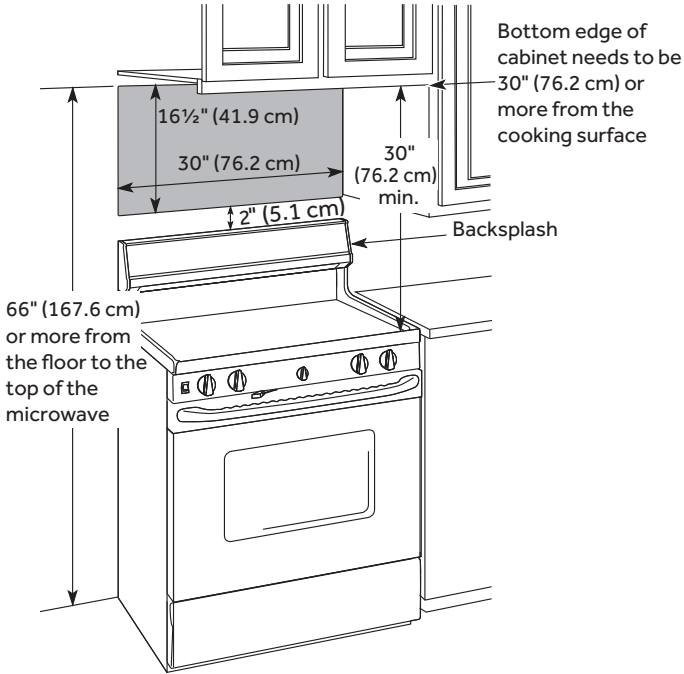


Turntable Ring

TOOLS AND MATERIALS NEEDED

- Phillips Screwdriver
- Pencil
- Ruler or Tape Measure and Straight Edge
- Carpenter Square (optional)
- Tin Snips (for cutting damper, if required)
- Scissors (to cut template, if necessary)
- Electric Drill with $\frac{3}{16}$ ", $\frac{1}{2}$ " and $\frac{5}{8}$ " drill bits
- Filler blocks or scrap wood pieces, if needed for top cabinet spacing (used on recessed bottom cabinet installations only)
- Gloves
- Saw (saber, hole or keyhole)
- Stud Finder or Hammer (optional)
- Safety Goggles
- Level
- Duct and Masking tape

LOCATION REQUIREMENTS



NOTES:

- The space between the cabinets must be 30" (76.2 cm) wide and free of obstructions.
- If you are going to vent the microwave oven to the outside, see "Install Microwave Oven" for exhaust and duct preparation.
- When installing the microwave oven beneath smooth, flat cabinets, be careful to follow the instructions on the top cabinet template for power cord clearance.

ELECTRICAL REQUIREMENTS

WARNING



Electrical Shock Hazard

Plug into a grounded 3 prong outlet.

Do not remove the ground prong from the power cord plug.

Do not use an adapter.

Do not use an extension cord.

Failure to do so can result in death, fire or electrical shock.

Observe all governing codes and ordinances.

Product rating is 120 volts AC, 60 Hertz and 1550 watts. This product must be connected to a supply circuit of the proper voltage and frequency.

The power supply cord and plug should be brought to a separate 15 to 20 ampere branch circuit single grounded outlet.

The outlet box should be located in the cabinet above the microwave oven.

The outlet box and supply circuit should be installed by a qualified electrician and conform to the National Electrical Code or the prevailing local code.

GROUNDING INSTRUCTIONS

For all cord connected appliances:

The microwave oven must be grounded. In the event of an electrical short circuit, grounding reduces the risk of electric shock by providing an escape wire for the electric current. The microwave oven is equipped with a cord having a grounding wire with a grounding plug. The plug must be plugged into an outlet that is properly installed and grounded.

WARNING: Improper use of the grounding plug can result in a risk of electric shock. Consult a qualified electrician or serviceman if the grounding instructions are not completely understood, or if doubt exists as to whether the microwave oven is properly grounded.

Do not use an extension cord. If the power supply cord is too short, have a qualified electrician or serviceman install an outlet near the microwave oven.

SAVE THESE INSTRUCTIONS

INSTALLATION INSTRUCTIONS

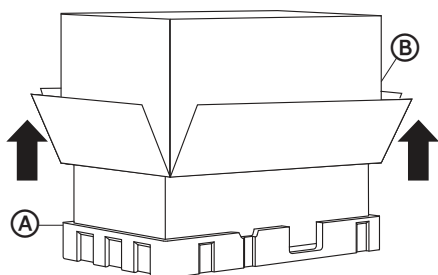
STEP 1 – UNPACKING

⚠ WARNING

Excessive Weight Hazard

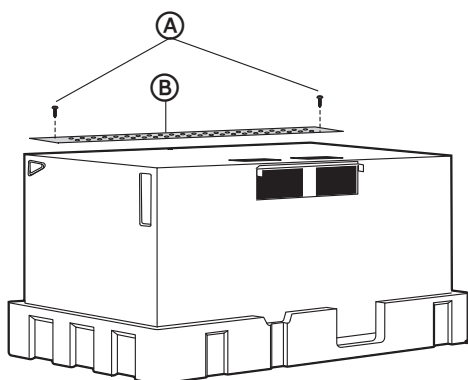
Use two or more people to move and install microwave oven.
Failure to do so can result in back or other injury.

1. Using two or more people move the microwave to near the location where it is to be installed.
2. Remove the installation instructions, filters, glass tray and the small hardware bag. Do not remove the foam packaging from the front of the oven.
3. Fold back all four carton flaps fully against carton sides. Then carefully roll the oven and carton over onto the top. The oven should be resting in the foam packaging.



- (A) Styrofoam
- (B) Carton

4. Pull the carton up and off the oven.
5. Cut the middle of plastic bag to remove the mounting plate. This plate will be used as the rear wall template and for mounting.



- (A) Screws
- (B) Mounting Plate
(Rear Wall Template)

- Remove the screws from the mounting plate. Reinstall the screws into the holes from where they were removed.

STEP 2 - LOCATE WALL STUDS

IMPORTANT: The microwave must be connected to at least one wall stud.

- Find the studs, using one of the following methods:

Stud finder – a magnetic device that locates nails.

OR

Use a hammer to tap lightly across the mounting surface to find a solid sound. A solid sound indicates a stud location.

- After locating the stud(s), find the center by probing the wall with a small nail to find the edges of the stud. Then place a mark halfway between the edges. The center of any adjacent studs should be 16" (40.6 cm) or 24" (61 cm) from this mark.
- Draw a line down the center of the studs.

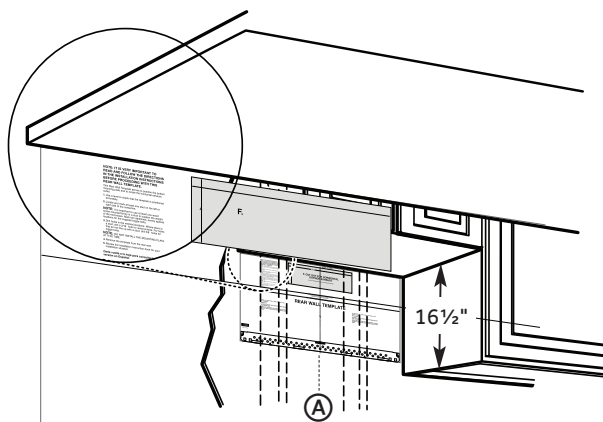
STEP 3 - PREPARE OVER-MICROWAVE CABINET

Overhead cabinet styles vary. Follow the instructions that apply for the cabinet style in your home.

IMPORTANT: Disconnect power to outlet.

BENEATH FLAT-BOTTOM CABINET

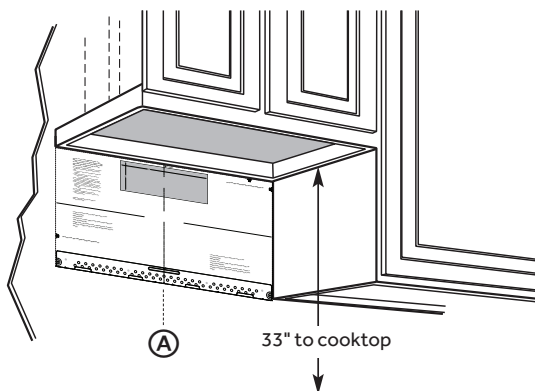
- Draw a vertical line on the wall at the center of the 30" (76.2 cm) wide space.
- Tape the Mounting Plate/Rear Wall Template onto the wall matching the centerline and touching the bottom of the cabinet.



Ⓐ Center Line

BENEATH FRAMED, RECESSED CABINET

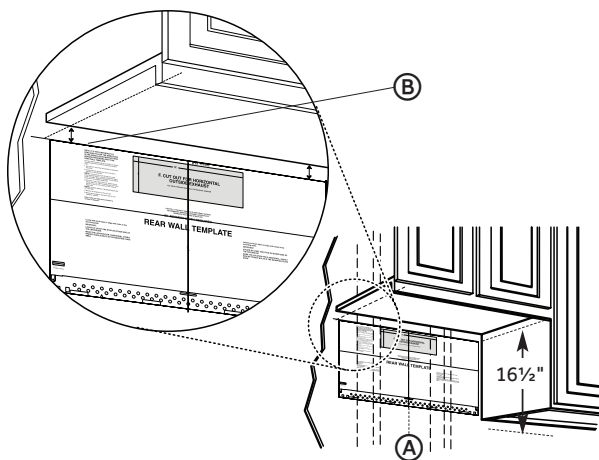
1. Draw a vertical line on the wall at the center of the 30" (76.2 cm) wide space.
2. Tape the Mounting Plate/Rear Wall Template onto the wall matching the centerline and touching the bottom cabinet frame.



(A) Center Line

BENEATH RECESSED-BOTTOM CABINET WITH FRONT OVERHANG

1. Draw a line on the back wall equal to the depth of the front overhang.



(A) Center Line

(B) Draw a line on the back wall equal to the depth of the front overhang.

CABINETS WITH DECORATIVE TRIM

IMPORTANT: The microwave must be level. If a decorative cabinet trim is interfering with the installation and leveling of the microwave oven, remove the decorative trim.

1. Use a level to make sure the cabinet bottom is level. If the cabinets have a front overhang only, with no back or side frame, install the mounting plate down the same distance as the front overhang depth. This will keep the microwave level.
2. Measure the inside depth of the front overhang.
3. Draw a horizontal line on the back wall an equal distance below the cabinet bottom as the inside depth of the front overhang.
4. For this type of installation with front overhang only, align the mounting tabs with this horizontal line, not touching the cabinet bottom.

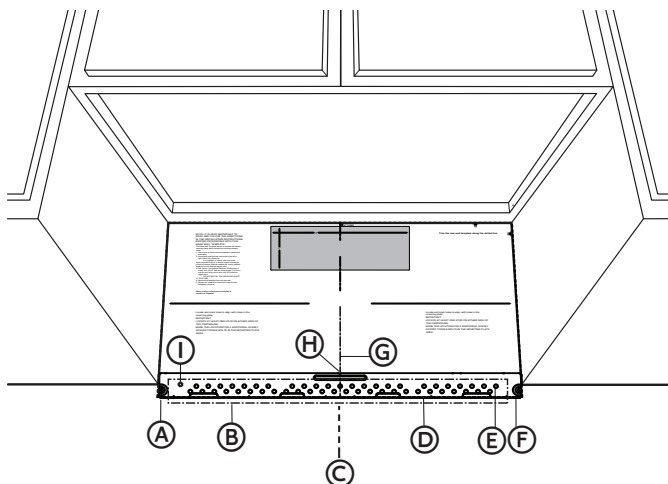
STEP 4 - ALIGN WALL-MOUNTING PLATE

1. Draw a Vertical line on the wall at the center of the 30" (76.2 cm) wide space.
2. Draw a Horizontal line on the wall at the bottom of the Mounting Plate/Rear Wall Template.
3. Drill $\frac{5}{8}$ " holes for toggle bolts in 2 locations (Hole A, Hole B) except if the location of hole is same as that of stud, then drill a $\frac{3}{16}$ " hole for wood screw.

NOTE: A wood screw must be used in a stud location.

4. Set the mounting plate aside.

DO NOT MOUNT THE PLATE AT THIS TIME.



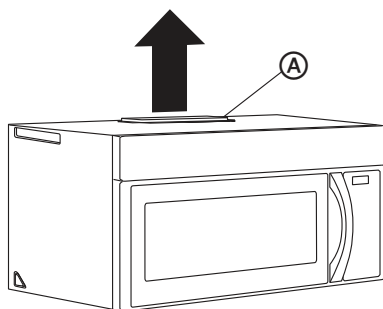
- | | |
|---|---|
| Ⓐ Horizontal Line | Ⓕ Horizontal Line |
| Ⓑ Area E | Ⓖ Draw a Vertical Line on Wall from Center of Top Cabinet |
| Ⓒ Center Line | Ⓗ Centerline notches |
| Ⓓ Draw a Horizontal line on wall from bottom of "Rear Wall Template". | Ⓘ Hole B |
| Ⓔ Hole A | |

NOTE: Holes A and B are inside area E. If both A and B are not in a stud, locate a stud somewhere in area E and draw a third circle that aligns with the stud. It is important to use at least one wood screw mounted firmly in a stud to support the weight of the microwave.

STEP 5 - DETERMINE INSTALLATION METHOD

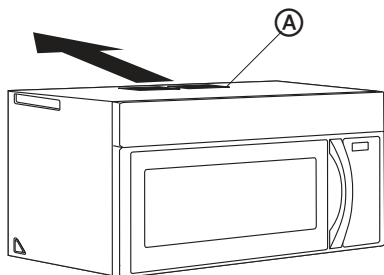
IMPORTANT: This microwave oven is shipped assembled for Recirculating Installation; however, it is designed for adaptation to the following methods of ventilation. Select the ventilation method required for your installation and follow the instructions specific to your method:

Method A - Outside Top Exhaust (Vertical Duct)



Ⓐ Adaptor in place for Outside Top Exhaust

Method B - Outside Back Exhaust (Horizontal Duct)



Ⓐ Move adaptor to the back for Outside Back Exhaust

Method C - Recirculating (Non-Vented, Ductless)



STEP 6 - INSTALL MICROWAVE OVEN

Install the microwave oven following the instructions specific to your method.

METHOD A - OUTSIDE TOP EXHAUST (VERTICAL DUCT)

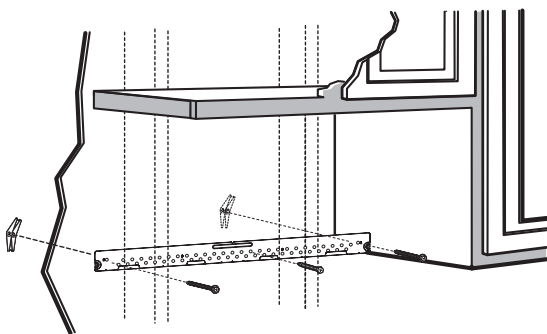
IMPORTANT:

- Make sure the screws for the blower motor and blower plate are securely tightened when they are reinstalled. This will help to prevent excessive vibration.
- Make sure the motor wiring has been properly routed and secured, and that the wires are not pinched.

Attach the mounting plate to the wall using toggle bolts.

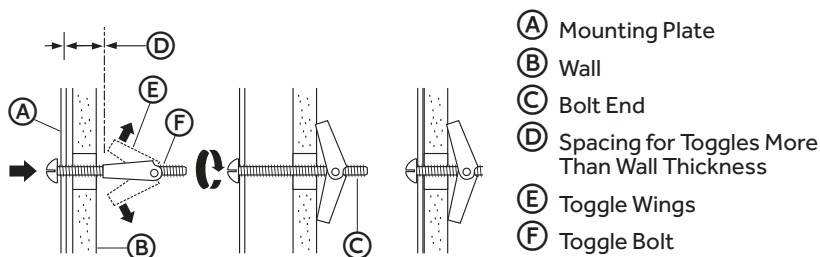
NOTE: At least one wood screw must be used to attach the plate to a wall stud.

1. Remove the toggle wings from the bolts.
2. Insert the bolts into the mounting plate through the holes designated to go into drywall and reattach the toggle wings onto each bolt.



3. Place the mounting plate against the wall and insert the toggle wings into the holes in the wall to mount the plate.

NOTE: Before tightening toggle bolts and wood screw, make sure the tabs on the mounting plate touch the bottom of the cabinet when pushed flush against the wall and that the plate is properly centered under the cabinet.



CAUTION: Be careful to avoid pinching fingers between the back of the mounting plate and the wall.

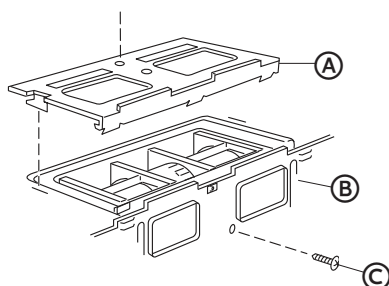
4. Tighten all bolts. Pull the plate away from the wall to help tighten the bolts.

Use Top Cabinet template to prepare top cabinet.

1. Read the instructions on the template, and then tape the template underneath the overhead cabinet.
2. Drill the holes following the instructions on the template.
 - Drill holes for the top support screws.
 - Drill a hole large enough for the power cord to fit through.
 - Drill a cutout large enough for the exhaust adaptor.

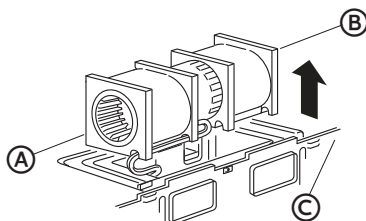
Adapt microwave blower for Outside Top Exhaust.

1. Place the microwave in its upright position, with the top of the unit facing up.
2. Remove the screw that holds the blower plate to the microwave.
3. Remove and save the screw holding the blower motor to the microwave.



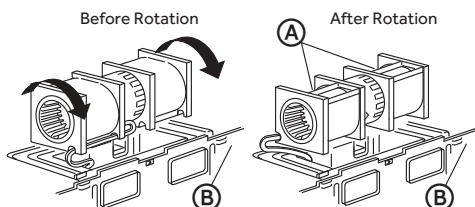
- Ⓐ Blower Plate
- Ⓑ Back of Microwave
- Ⓒ Blower Motor Screw

4. Carefully pull out the blower unit. The wires will extend far enough to allow you to adjust the blower unit.



- Ⓐ End A
- Ⓑ End B
- Ⓒ Back of Microwave

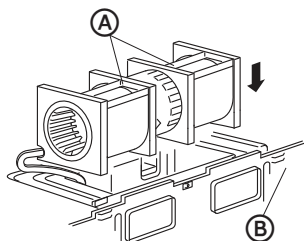
5. Roll the blower unit 90° so that fan blade openings are facing out the top of the microwave.



- Ⓐ Fan Blade Openings
- Ⓑ Back of Microwave

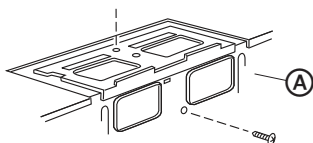
6. Place the blower unit back into the opening.

7. Secure blower unit to microwave with the screw removed in Step 1. Make sure the screw is tight.



- (A) AFTER: Fan Blade
Openings Facing Top
- (B) Back of Microwave

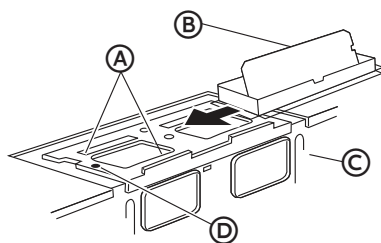
8. Replace blower plate with the screw removed in Step 1. Make sure the screw is tight.



- (A) Back of Microwave

9. Attach the exhaust adapter to the top of the blower plate by sliding it into the guides of the blower plate.

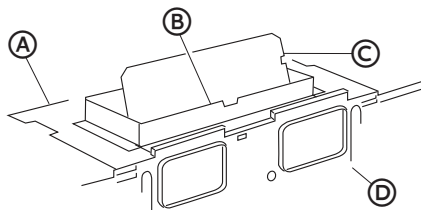
10. Push in firmly until the exhaust adapter is in the locking tabs. Ensure that the damper hinge is installed so that the damper swings freely.



- (A) Guide
- (B) Adapter
- (C) Back of Microwave
- (D) Locking Tab

Check for proper damper operation.

1. Make sure the tape securing the damper is removed and the damper pivots easily before mounting the microwave.
2. Make adjustments to ensure proper alignment with the house exhaust duct once the microwave is mounted.



- (A) Blower Plate
- (B) Exhaust Adapter
- (C) Damper
- (D) Back of Microwave

Mount the Microwave Oven

⚠ WARNING

Excessive Weight Hazard

Use two or more people to move and install microwave oven.

Failure to do so can result in back or other injury.

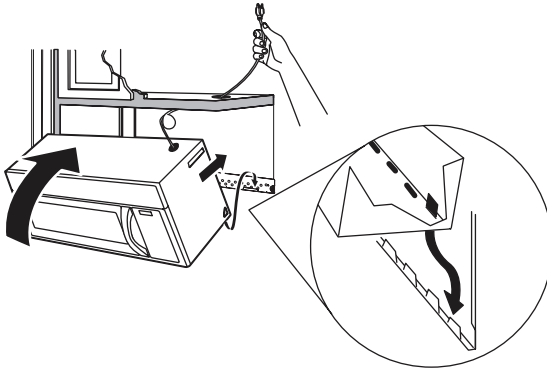
IMPORTANT: Do not grip or use door handle during installation.

NOTE: If the cabinet front hangs below the cabinet bottom shelf, it is recommended that you use filler blocks to avoid damage to the case from overtightening the screws.

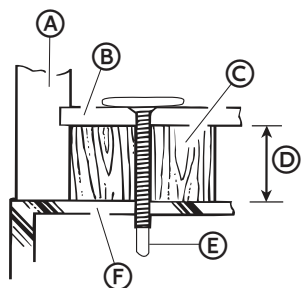
1. Thread the power cord through the hole in the bottom of the overhead cabinet. Keep the power cord tight while mounting the oven.

NOTE: If the overhead cabinet is metal, use the nylon grommet around the power cord hole to avoid cutting the power cord.

2. Using two or more people, lift the microwave, tilt it forward, and hook slots at back bottom edge onto four lower tabs of mounting plate.
3. Rotate front of oven up against cabinet bottom.

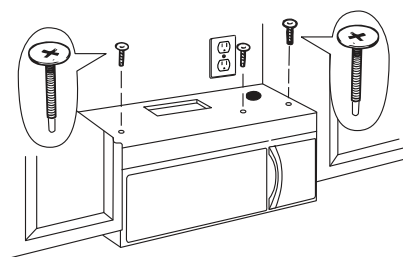


4. Insert a self-aligning screw through top center cabinet hole. Temporarily secure the oven by turning the screw at least two full turns after the threads have engaged. (It will be completely tightened later.) Be sure to keep power cord tight. Be careful not to pinch the cord, especially when mounting flush to bottom of cabinet.



- (A) Cabinet Front
- (B) Cabinet Bottom Shelf
- (C) Filler Block
- (D) Equivalent to Depth of Cabinet Recess
- (E) Self-Aligning Screw
- (F) Microwave Oven Top

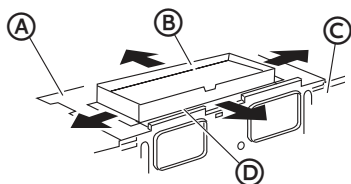
5. Attach the microwave oven to the top cabinet.
6. Insert 2 self-aligning screws through outer top cabinet holes. Turn two full turns on each screw.



7. Tighten center screw completely.

Adjust the exhaust adaptor.

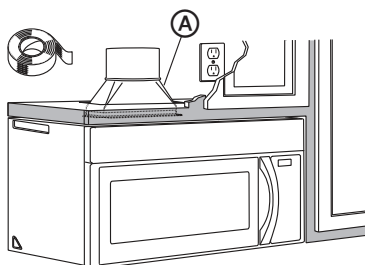
1. Open the overhead cabinet, and then adjust the exhaust adaptor to connect to the house duct.



- (A) Blower Plate
- (B) Damper
- (C) Back of Microwave
- (D) For Front-to-Back or Side-to-Side Adjustment, Slide the Exhaust Adaptor as Needed

Connect ductwork.

1. Extend the house duct down to connect to the exhaust adaptor.
2. Seal exhaust duct joints using furnace duct tape for high temperature applications.



Ⓐ House Duct

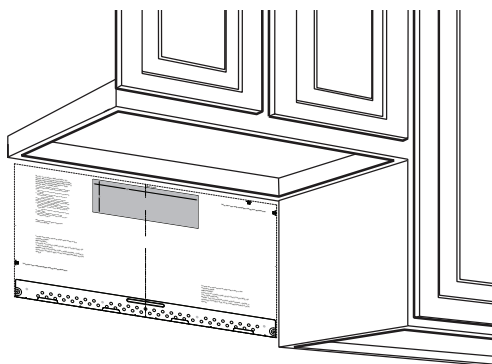
METHOD B - OUTSIDE BACK EXHAUST (HORIZONTAL DUCT)

IMPORTANT:

- Make sure the screws for the blower motor and blower plate are securely tightened when they are reinstalled. This will help to prevent excessive vibration.
- Make sure the motor wiring has been properly routed and secured, and that the wires are not pinched.

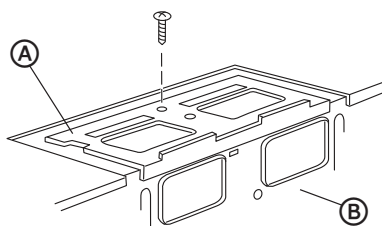
Prepare the rear wall for outside back exhaust.

1. Create an opening in the rear wall for outside exhaust.
 - Read the instructions on the Mounting Plate/Rear Wall template.
 - Tape the Mounting Plate/Template to the rear wall, aligning it with the holes previously drilled for holes A and B in the wall plate.
 - Cut the opening, following the instructions of the Rear Wall template.



Remove the blower plate.

1. Remove the screw that holds the blower plate to the microwave.
2. Lift off the blower plate. Set the screw aside.

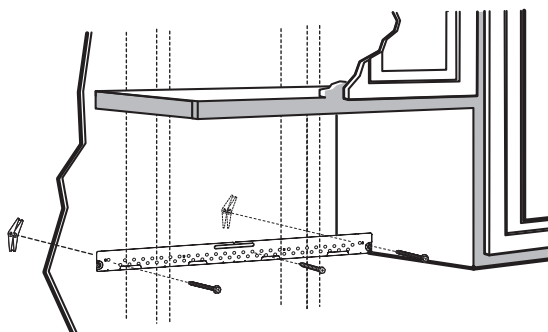


- (A) Blower Plate
- (B) Back of Microwave

Attach the Mounting Plate to the Wall

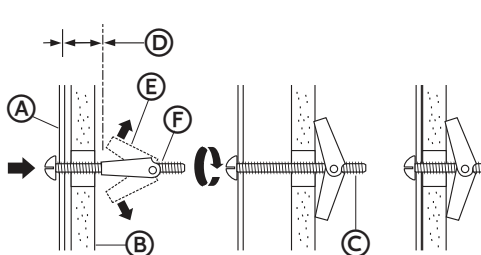
NOTE: At least one wood screw must be used to attach the plate to a wall stud.

1. Remove the toggle wings from the bolts.
2. Insert the bolts into the mounting plate through the holes designated to go into drywall and reattach the toggle wings onto each bolt.



3. Place the mounting plate against the wall and insert the toggle wings into the holes in the wall to mount the plate.

NOTE: Before tightening toggle bolts and wood screw, make sure the tabs on the mounting plate touch the bottom of the cabinet when pushed flush against the wall and that the plate is properly centered under the cabinet.



- (A) Mounting Plate
- (B) Wall
- (C) Bolt End
- (D) Spacing for Toggles More Than Wall Thickness
- (E) Toggle Wings
- (F) Toggle Bolt

CAUTION: Be careful to avoid pinching fingers between the back of the mounting plate and the wall.

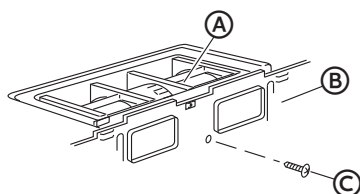
4. Tighten all bolts. Pull the plate away from the wall to help tighten the bolts.

Use Top Cabinet template to prepare top cabinet.

1. Read the instructions on the TOP CABINET template, and then tape the template underneath the overhead cabinet.
2. Drill the holes following the instructions on the TOP CABINET template.
 - Drill holes for the top support screws.
 - Drill a hole large enough for the power cord to fit through.
 - Drill a cutout large enough for the exhaust adaptor.

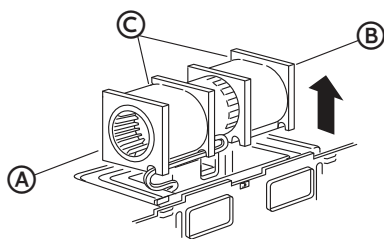
Adapt microwave blower for outside back exhaust.

1. Remove and save screw that holds blower motor to microwave.



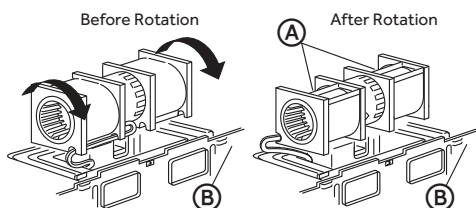
- (A) Blower Motor
- (B) Back of Microwave
- (C) Blower Motor Screw

2. Carefully pull out the blower unit. The wires will extend far enough to allow you to adjust the blower unit.



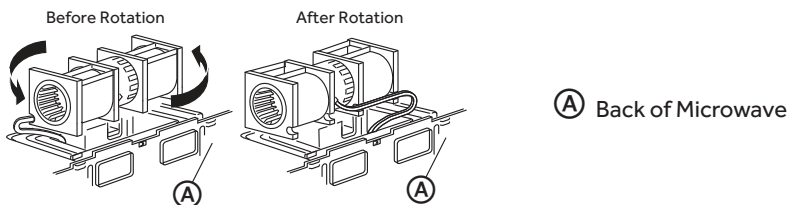
- (A) End A
- (B) End B
- (C) Before: Fan Blade Openings Facing Forward

3. Roll the blower unit 90°.

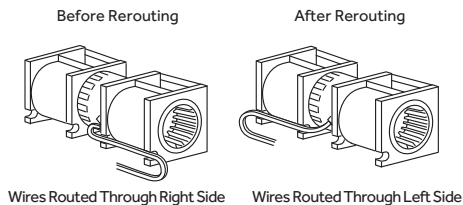


- (A) Fan Blade Openings
- (B) Back of Microwave

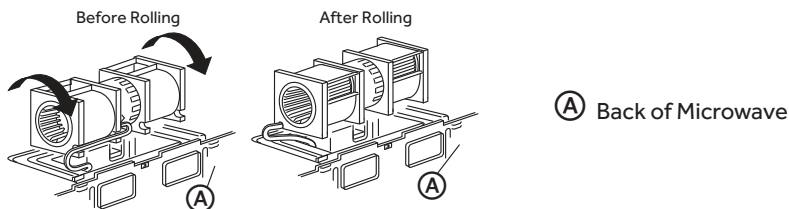
4. Rotate blower unit counterclockwise 180°.



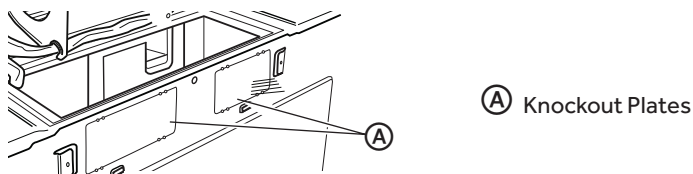
5. Gently remove the wires from the grooves. Reroute the wires through grooves on other side of the blower unit.



6. Roll the blower unit 90° so that fan blade openings are facing out the back of the microwave.



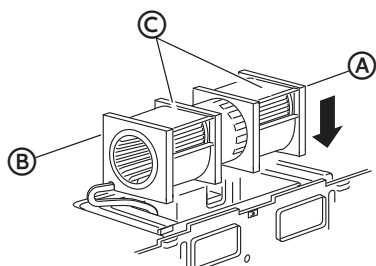
7. Remove the knockout plates in the back of the unit with snips.



8. Place the blower unit back into the opening.

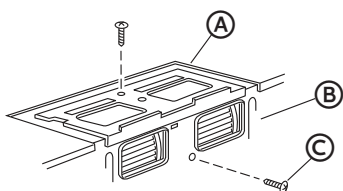
IMPORTANT:

- Make sure the wires are not pinched and that they are properly secured.
- The blower unit exhaust openings should match exhaust openings on the rear of the microwave oven.



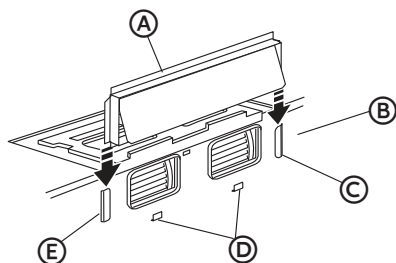
- (A) End A
- (B) End B
- (C) AFTER: Fan Blade Openings Facing Back

9. Secure the blower unit to the microwave with the original screw.
10. Replace the blower plate in the same position as before with the screw. Make sure the screw is tight.



- (A) Blower Plate
- (B) Back of Microwave
- (C) Blower Motor Screw

11. Attach the exhaust adaptor to the rear of the oven by sliding it into the guides at the top center of the back of the oven. Push in securely until it is in the lower locking tabs. Take care to assure that the damper hinge is installed so that it is at the top and that the damper swings freely.



- (A) Adaptor
- (B) Back of Microwave
- (C) Guide
- (D) Locking Tabs
- (E) Guide

Mount the Microwave Oven

⚠ WARNING

Excessive Weight Hazard

Use two or more people to move and install microwave oven.
Failure to do so can result in back or other injury.

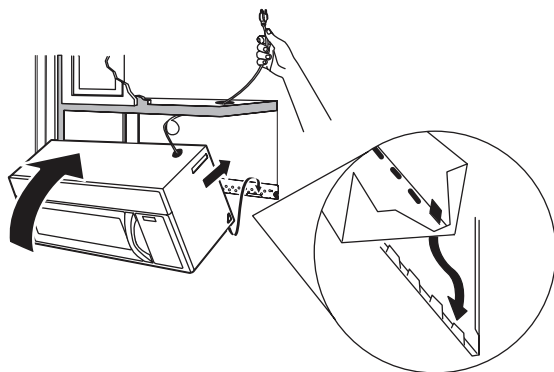
IMPORTANT:

- Do not grip or use door handle during installation.
- If the cabinet front hangs below the cabinet bottom shelf, it is recommended that you use filler blocks to avoid damage to the case from overtightening the screws.

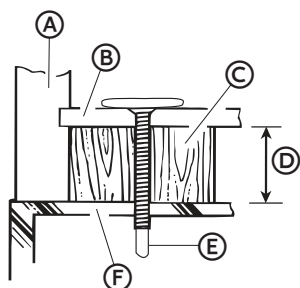
1. Thread the power cord through the hole in the bottom of the overhead cabinet. Keep the power cord tight while mounting the oven.

NOTE: If the overhead cabinet is metal, use the nylon grommet around the power cord hole to avoid cutting the power cord.

2. Using two or more people, lift the microwave, tilt it forward, and hook slots at back bottom edge onto four lower tabs of mounting plate.
3. Rotate front of oven up against cabinet bottom.

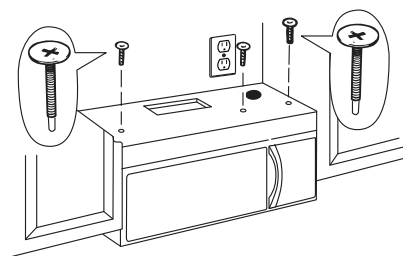


4. Insert a self-aligning screw through top center cabinet hole. Temporarily secure the oven by turning the screw at least two full turns after the threads have engaged. (It will be completely tightened later.) Be sure to keep power cord tight. Be careful not to pinch the cord, especially when mounting flush to bottom of cabinet.



- (A) Cabinet Front
- (B) Cabinet Bottom Shelf
- (C) Filler Block
- (D) Equivalent to Depth of Cabinet Recess
- (E) Self-Aligning Screw
- (F) Microwave Oven Top

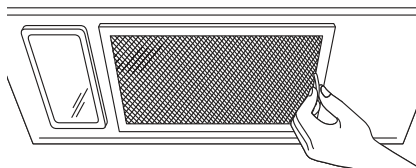
5. Attach the microwave oven to the top cabinet.
6. Insert two self-aligning screws through outer top cabinet holes. Turn two full turns on each screw.



7. Tighten center screw completely.
8. Tighten the outer two screws to the top of the microwave oven. (While tightening screws, hold the microwave oven in place against the wall and the top cabinet).

Install grease filters.

For instructions, see the User Manual packed with the microwave.



METHOD C - RECIRCULATING (NON-VENTED, DUCTLESS)

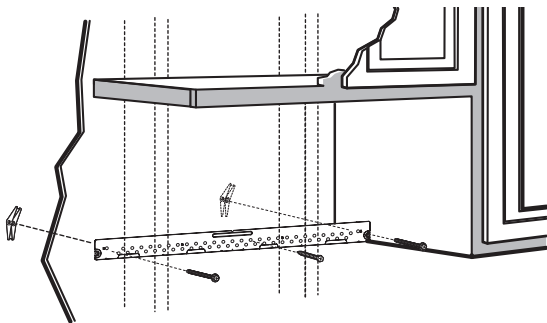
IMPORTANT:

- Make sure the screws for the blower motor and blower plate are securely tightened when they are reinstalled. This will help to prevent excessive vibration.
- Make sure the motor wiring has been properly routed and secured, and that the wires are not pinched.

Attach the mounting plate to the wall using toggle bolts.

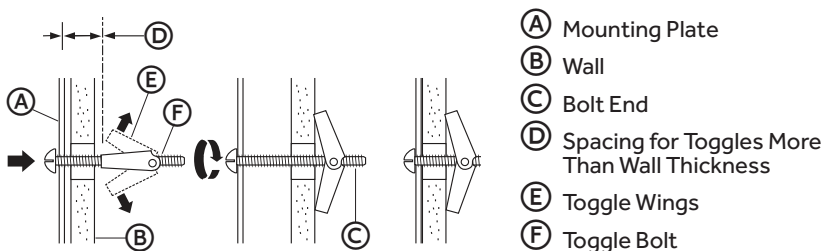
NOTE: At least one wood screw must be used to attach the plate to a wall stud.

1. Remove the toggle wings from the bolts.
2. Insert the bolts into the mounting plate through the holes designated to go into drywall and reattach the toggle wings onto each bolt.



- Place the mounting plate against the wall and insert the toggle wings into the holes in the wall to mount the plate.

NOTE: Before tightening toggle bolts and wood screw, make sure the tabs on the mounting plate touch the bottom of the cabinet when pushed flush against the wall and that the plate is properly centered under the cabinet.

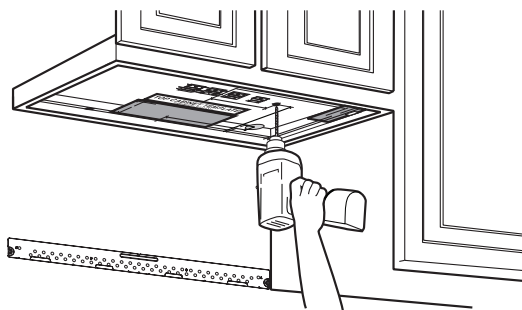


CAUTION: Be careful to avoid pinching fingers between the back of the mounting plate and the wall.

- Tighten all bolts. Pull the plate away from the wall to help tighten the bolts.

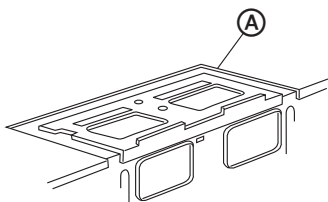
Prepare Top Cabinet.

- Read the instructions on the template, and then tape the template underneath the overhead cabinet.
- Drill the holes following the instructions on the template.
 - Drill holes for the top support screws.
 - Drill a hole large enough for the power cord to fit through.
 - Drill a cutout large enough for the exhaust adaptor.



Check the blower plate.

- Place the microwave in its upright position, with the top of the unit facing up.
- Check to see that the blower plate is correctly installed on the microwave oven.



Ⓐ Blower Plate

Mount the Microwave Oven

⚠ WARNING

Excessive Weight Hazard

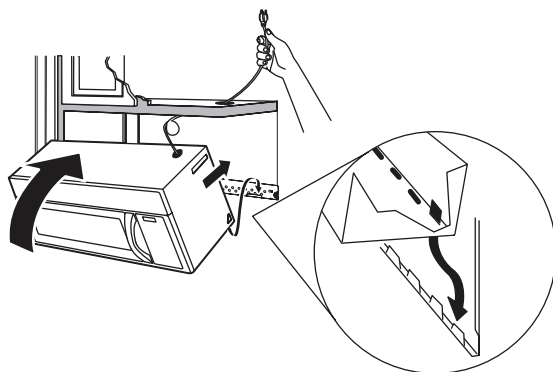
Use two or more people to move and install microwave oven.
Failure to do so can result in back or other injury.

IMPORTANT:

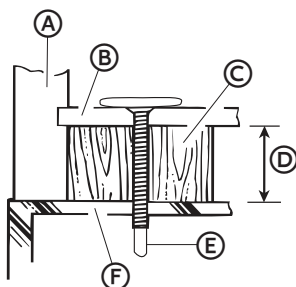
- Do not grip or use door handle during installation.
 - If the cabinet front hangs below the cabinet bottom shelf, it is recommended that you use filler blocks to avoid damage to the case from over tightening the screws.
1. Thread the power cord through the hole in the bottom of the overhead cabinet. Keep the power cord tight while mounting the oven. Do not pinch cord or lift oven by pulling cord.

NOTE: If the overhead cabinet is metal, use the nylon grommet around the power cord hole to avoid cutting the power cord.

2. Using two or more people, lift the microwave, tilt it forward, and hook slots at back bottom edge onto four lower tabs of mounting plate.
3. Rotate front of oven up against cabinet bottom.

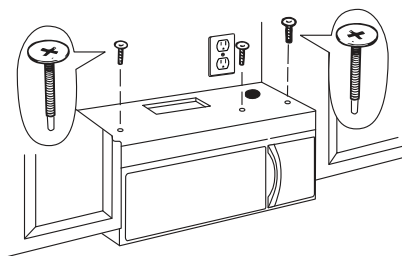


- Insert a self-aligning screw through top center cabinet hole. Temporarily secure the oven by turning the screw at least two full turns after the threads have engaged. (It will be completely tightened later.) Be sure to keep power cord tight. Be careful not to pinch the cord, especially when mounting flush to bottom of cabinet.

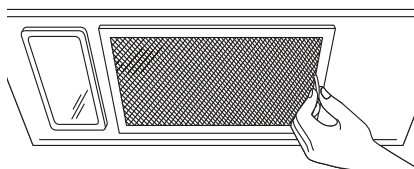


- (A) Cabinet Front
- (B) Cabinet Bottom Shelf
- (C) Filler Block
- (D) Equivalent to Depth of Cabinet Recess
- (E) Self-Aligning Screw
- (F) Microwave Oven Top

- Attach the microwave oven to the top cabinet.
- Insert two self-aligning screws through outer top cabinet holes. Turn two full turns on each screw.
- Tighten center screw completely.



- Tighten the outer two screws to the top of the microwave oven. (While tightening screws, hold the microwave oven in place against the wall and the top cabinet).



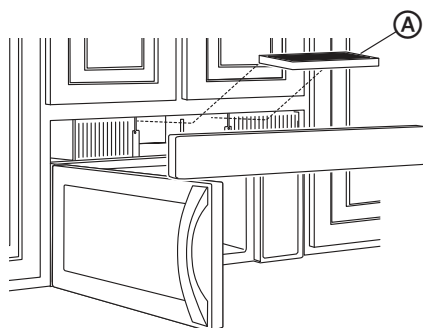
Install grease filters.

See the User Manual, packed with the microwave.

STEP 6 - INSTALL OR REPLACE CHARCOAL FILTER

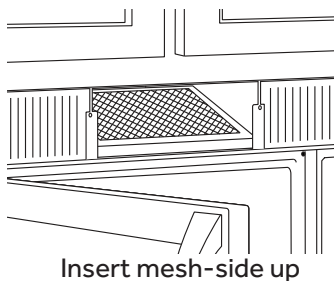
NOTE: The charcoal filter is factory installed. Follow these steps to replace a filter or to install a filter after converting a vented model to a recirculating operation.

1. Remove screws on top of grille using a Phillips screwdriver.
2. Open the door.
3. Remove the grille. Pull the grille straight off.



A Charcoal Filter

4. Install the charcoal filter. When properly installed, the wire mesh of the filter should be visible from the front.



5. Replace the grille and the screws.
6. Close the door.

STEP 7 - COMPLETE INSTALLATION

WARNING



Electrical Shock Hazard

Plug into a grounded 3 prong outlet.

Do not remove the ground prong from the power cord plug.

Do not use an adapter.

Do not use an extension cord.

Failure to do so can result in death, fire or electrical shock.

1. Plug microwave oven into grounded 3 prong outlet.
2. Reconnect power.
3. Check the operation of microwave oven by placing 1 cup (250 mL) of water on the turntable, and programming a cook time of 1 minute at 100% power. Test vent fan and exhaust by operating the vent fan.
4. If the microwave oven does not operate:
 - Check that a household fuse has not blown, or that a circuit breaker has not tripped. Replace the fuse or reset the circuit breaker. If the problem continues, call an electrician.
 - Check that the power supply cord is plugged into a grounded 3 prong outlet.
 - See the User Instructions for troubleshooting information.
5. Installation is now complete.

SAVE INSTALLATION INSTRUCTIONS FOR FUTURE USE.

IMPORTANT

Do Not Return This Product To The Store
If you have a problem with this product, please contact the
"Haier Customer Satisfaction Center" at
1-877-337-3639.

DATED PROOF OF PURCHASE, MODEL #, AND SERIAL #
REQUIRED FOR WARRANTY SERVICE

Made in China

Haier

Haier America
Wayne, NJ 07470