



AquaSource® is a registered trademark of LF, LLC. All Rights Reserved.

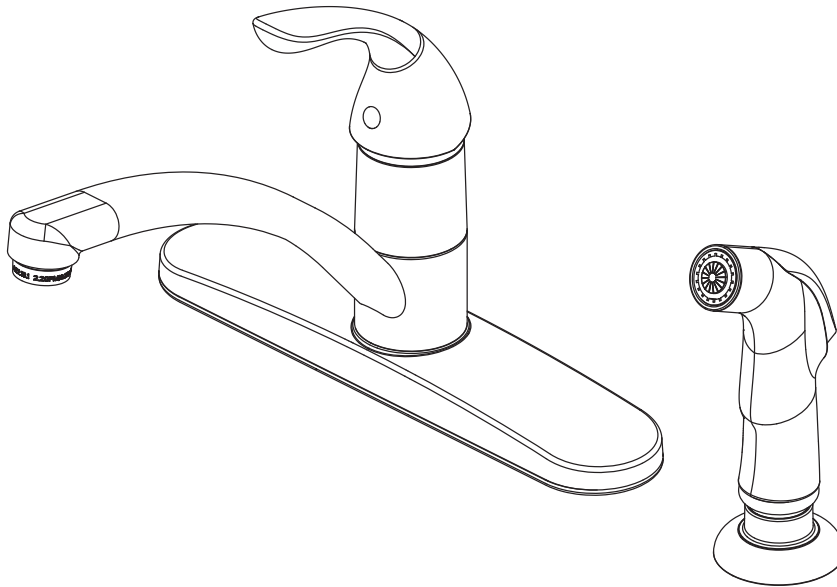
ITEM #0223326

SINGLE-HANDLE KITCHEN FAUCET

MODEL #67353-1008D2

Français p. 7

Español p. 13



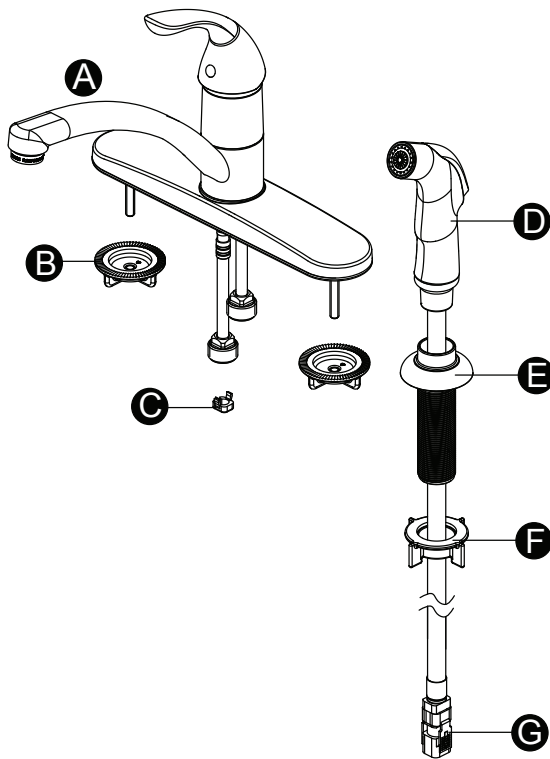
ATTACH YOUR RECEIPT HERE

Serial Number _____ **Purchase Date** _____



Questions, problems, missing parts? Before returning to your retailer, call our customer service department at 1-866-417-7564, 8 a.m. - 8 p.m., EST, Monday - Friday.

PACKAGE CONTENTS



PART	DESCRIPTION	QUANTITY
A	Faucet	1
B	Mounting Nut (Preassembled to Faucet (A))	2
C	Block (Preassembled to Faucet (A))	1
D	Side Spray	1
E	Hose Guide	1
F	Lock Nut (Preassembled to Hose Guide (E))	1
G	Hose Connector (Preassembled to Spray Hose (D))	1

SAFETY INFORMATION

Please read and understand this entire manual before attempting to assemble, operate or install the product. If you have any questions regarding the product, please call customer service at 1-866-417-7564, 8 a.m. - 8 p.m., EST, Monday - Friday.

- Follow the installation instructions carefully. Proper installation is the installer's responsibility.
- Failure to follow correct installation procedures can result in the faucet being loose, which can result in serious injury.
- Check local building codes before beginning installation to ensure compliance.

PREPARATION

Before beginning the assembly of product, make sure all parts are present. Compare parts with package content list and diagram above. If any part is missing or damaged, do not attempt to assemble the product. Contact customer service for replacement parts.

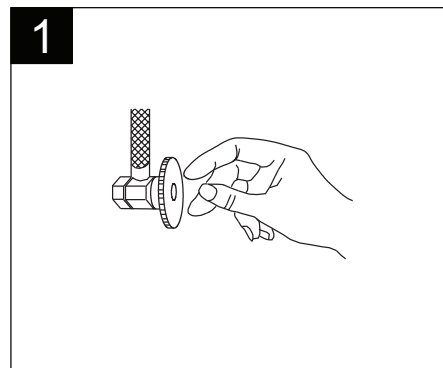
Estimated Assembly Time: 45 minutes, Including the Removal of Old Faucet

Tools Required for Assembly (not included): Adjustable Wrench, Phillips Screwdriver, Putty, Allen Wrench

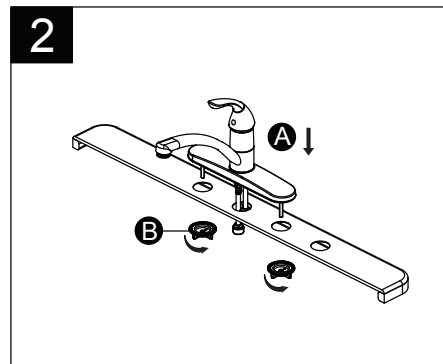
Helpful Tools (not included): Basin Wrench, Water Supply Lines

ASSEMBLY INSTRUCTIONS

1. Shut off water supplies. Remove old faucet.

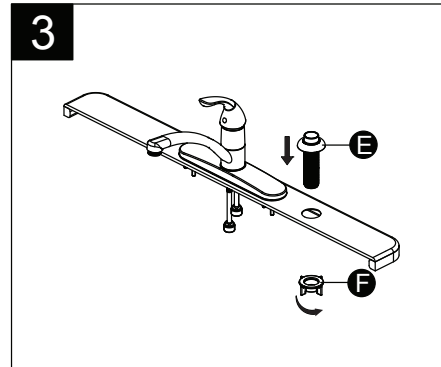


2. Place faucet (A) in position on sink. From under sink, thread mounting nuts (B) onto faucet (A). Tighten mounting nuts (B).

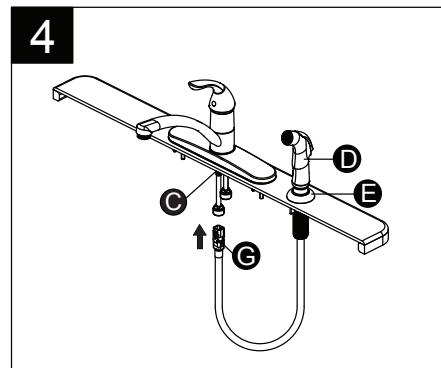


ASSEMBLY INSTRUCTIONS

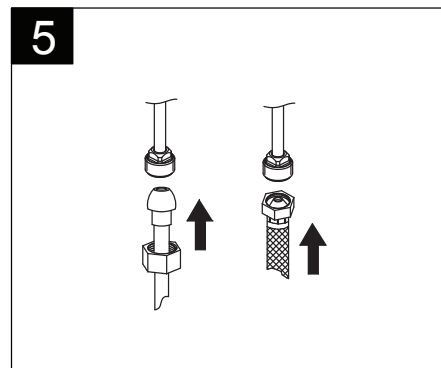
3. Mount hose guide (E) in far right hole of sink (not included). Secure hose guide (E) using lock nut (F). Hand tighten.



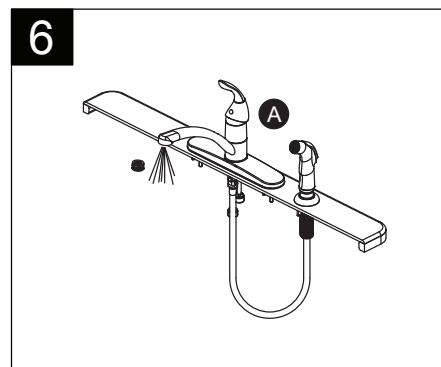
4. Insert side spray (D) down through hose guide (E) and sink. From underneath the sink, push hose connector (G) firmly upward and snap onto block (C). Pull down moderately to ensure the connection has been made. If it is necessary to remove the hose, press on the tabs and pull hose connector (G) down.



5. Connect 1/2 in. IPS faucet connector or coupling nuts (not included) with 3/8 in. O.D. ball-nose risers (not included) to water supplies using wrenches (not included). Note: Refer to local plumbing codes for permissible types of water supply connectors.



6. After installation is completed, remove aerator on faucet (A). Turn on water supply and allow both hot and cold water to run for at least one minute each. While water is running, check for leaks. Replace aerator.



CARE AND MAINTENANCE

- Clean carefully by gently wiping with a grit-free damp cloth. Use only mild soap with water. Never use acids, harsh chemicals or abrasive detergents to clean surface.

TROUBLESHOOTING

If you have any questions regarding the product, please call our customer service at 1-866-417-7564, 8 a.m. - 8 p.m., EST, Monday - Friday.

PROBLEM	POSSIBLE CAUSE	CORRECTIVE ACTION
Leak from under handle	Damaged cartridge	Remove handle. Replace cartridge.
Inconsistent flow pattern	Aerator is dirty or misfitted	Unscrew the aerator to check rubber washer or replace the aerator.
Leak from the spout/aerator	Damaged cartridge	Remove handle. Replace cartridge.

LIFETIME LIMITED WARRANTY

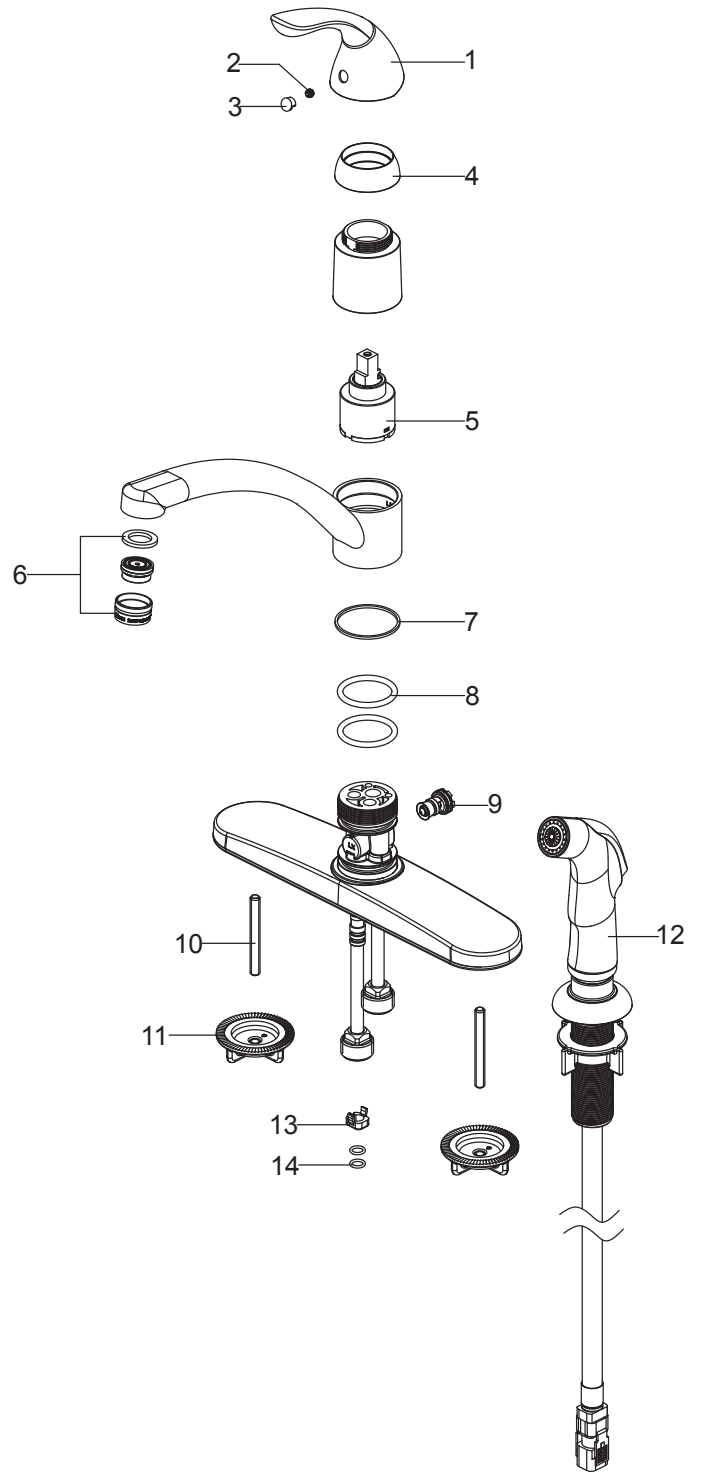
This faucet has been manufactured under the highest standard of workmanship. All parts of this faucet are warranted to be free from leaks or drips during domestic use for as long as the original purchaser owns this product. THIS EXCLUDES INDUSTRIAL, COMMERCIAL, OR BUSINESS USE. The manufacturer will replace FREE OF CHARGE, under the warranty conditions the entire unit or any part (at our option) which proves defective in material and/or workmanship under normal installation, use and service. This warranty is limited to defective parts as stated. All costs of removal and installation of the faucet, including the replacement of warranty parts are the responsibility of the purchaser. The manufacturer shall not be liable for incidental, consequential or special damages arising at or in connection with product use or performance except as may otherwise be accorded by law. This warranty gives you specific legal rights, and you may also have other rights which may vary from state to state. Any damage to this faucet as a result of misuse, abuse, neglect, accident, improper installation, or any use violating instructions furnished by us, WILL VOID THIS WARRANTY. When requesting warranty service, you will need to present a copy of your sales receipt as proof of purchase. To obtain warranty service, call our customer service department at 1-866-417-7564.

REPLACEMENT PARTS LIST

For replacement parts, call our customer service department at 1-866-417-7564, 8 a.m. - 8 p.m., EST, Monday - Friday.

PART	DESCRIPTION	PART #
1	Handle	RP13060*
2	Set Screw	RP50002
3	Index Bonnet	RP10006
4	Cap	RP80004*
5	Cartridge	RP20044
6	Aerator	RP30004*
7	Washer	RP64070
8	O-Ring	RP60032
9	Diverter	RP70037
10	Bolt	RP50040
11	Mounting Nut	RP56036
12	Side Spray	RP36057*
13	Block	RP70005
14	O-Ring	RP60002

*Available in Stainless Steel Finish.



Printed in China