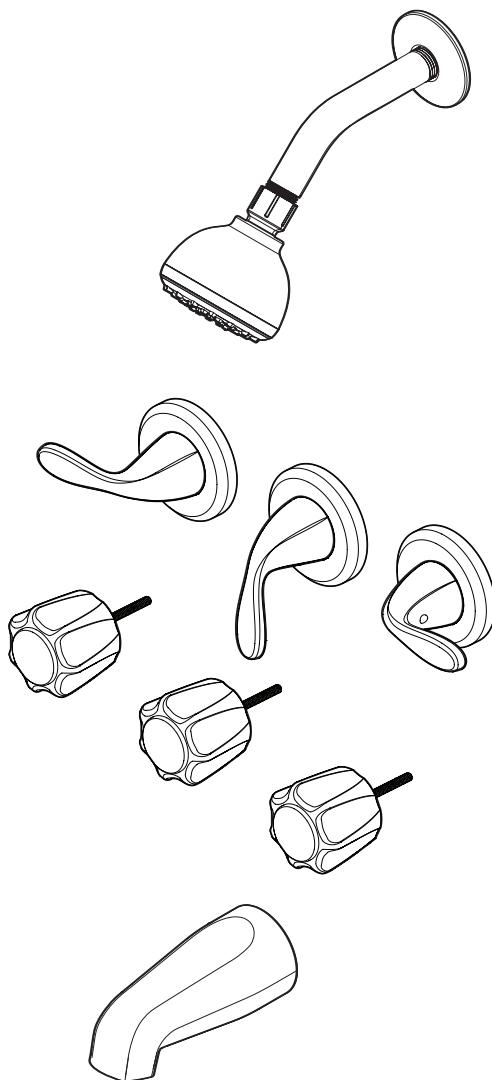


THREE-HANDLE TUB AND SHOWER FAUCET

MODEL #834-W4101

Francias / Español p. 10



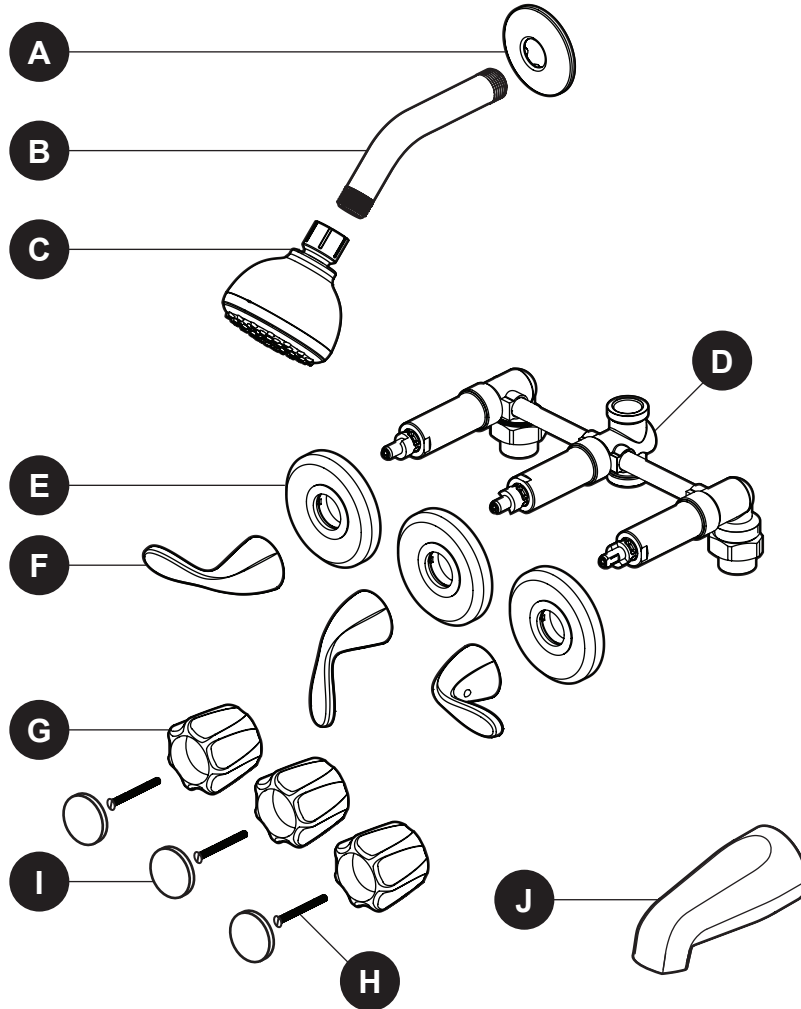
ATTACH YOUR RECEIPT HERE

Serial Number _____ Purchase Date _____



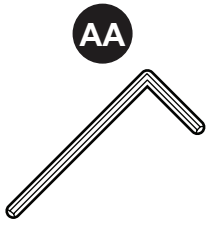
Questions, problems, missing parts? Before returning to your retailer, call our customer service department at 1-866-389-8827, 8 a.m. - 8 p.m., EST, Monday - Friday.

PACKAGE CONTENTS



PART	DESCRIPTION	QUANTITY
A	Shower Arm Flange	1
B	Shower Arm	1
C	Showerhead	1
D	Valve Body	1
E	Handle Flange	3
F	Metal Handle	3
G	Acrylic Handle	3
H	Acrylic Handle Screw	3
I	Acrylic Handle Cap	3
J	Tub Spout	1

HARDWARE CONTENTS (not shown to actual size)



Allen Wrench
x1

SAFETY INFORMATION

Please read and understand this entire manual before attempting to assemble, operate, or install the product.

WARNING:

- Follow the installation instructions carefully. Proper installation is the installer's responsibility.
- Failure to follow correct installation procedures can result in the faucet being loose, which can result in serious injury.

CAUTION:

- Check local building codes before beginning installation to ensure compliance.

PREPARATION

Before beginning the assembly of this product, make sure all parts are present. Compare parts with the package contents and hardware contents list. If any part is missing or damaged, do not attempt to assemble the product.

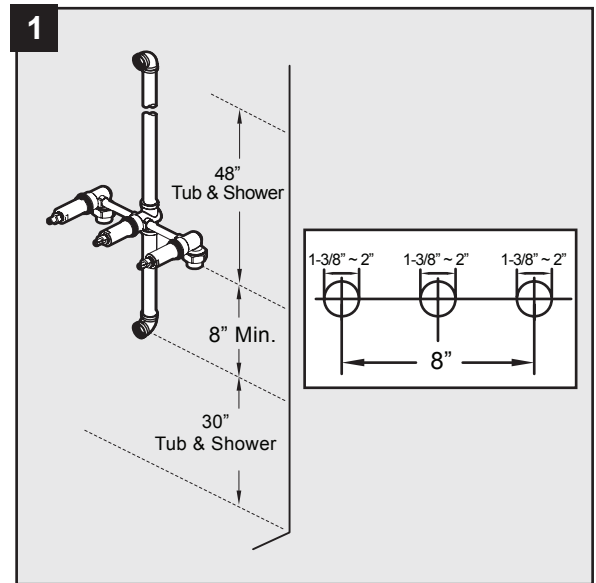
Estimated Assembly Time: 120 minutes

Tools Required for Assembly (not included): Thread Sealant Tape, Silicone Sealant, Pipe Wrench, Phillips Screwdriver, Pliers

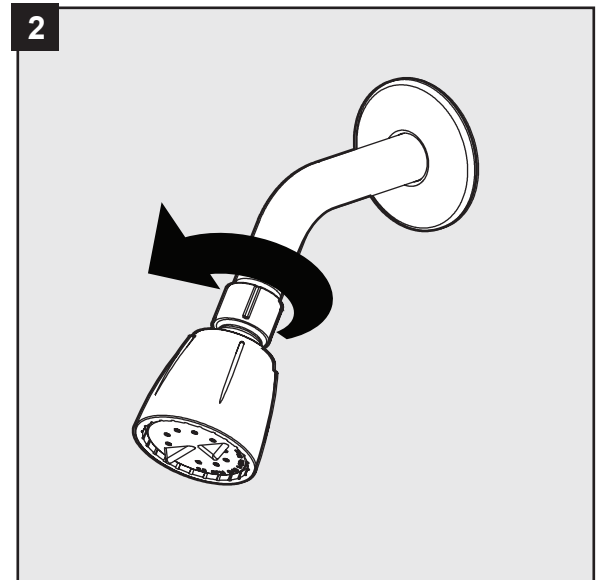
ASSEMBLY INSTRUCTIONS

1. Prepare the bath area for installation:
 - a. Shut off the water supply to the tub and shower.
Note: This may require shutting off the main water supply to your home.
 - b. Open the old faucet to release any potential built-up pressure.
 - c. Verify that the hole sizes and position of the holes in the wall are correct. Recommended component measurements:
 - Shower and Spout Outlet Hole: 1-1/4 in. diameter.
 - Cold and Hot Valves: 1-3/8 in. to 2 in. diameter.
 - Center-to-Center Distance Between Hot and Cold Valves: 8 in.
 - Recommended Distance from Center of Valve (Shower Outlet) to Finished Wall: 1-7/8 in. min. to 2-7/8 in. max. The recommendation is 2-3/8 in.

Note: Do not use PEX tubing for the tub spout outlet.

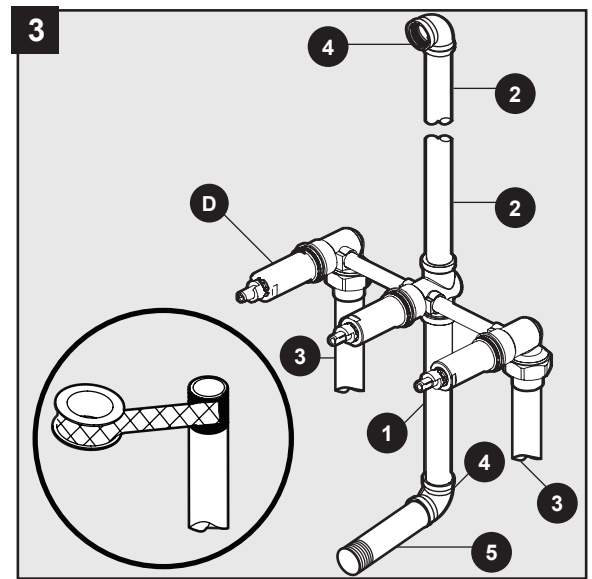


2. Remove the existing shower valve. Clear any debris from the shower and bath area. Clean old sealant from any threaded connections.

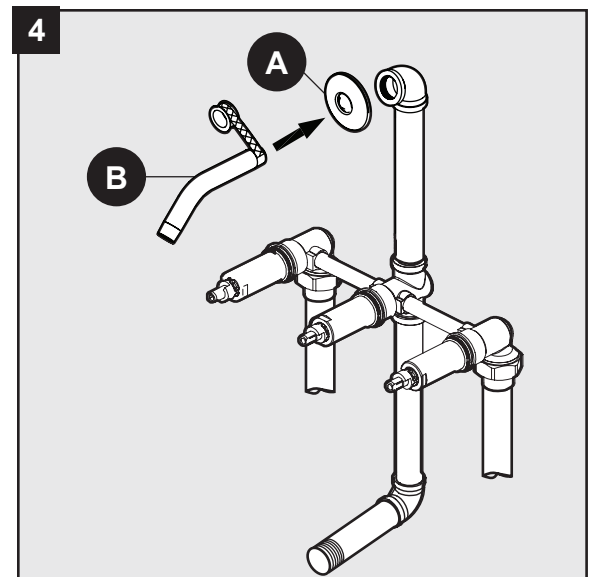


ASSEMBLY INSTRUCTIONS

3. Install the valve body (D):
 - a. Wrap thread sealant tape (not included) around the pipe threads in a clockwise direction.
 - b. Connect the water supplies (3) (not included), the shower outlet pipe (2) (not included) and the tub outlet pipe (1) (not included) to the valve body (D) in a clockwise direction. Tighten the pipes to the valve body with a pipe wrench (not included). Connect the pipe elbows (4) (not included) to the end of the shower outlet and tub outlet pipes. Connect the tub spout outlet pipe (5) (not included) to the lower pipe elbow (not included). Tighten the elbows (not included) and tub spout outlet pipe (not included) connections with a pipe wrench (not included).

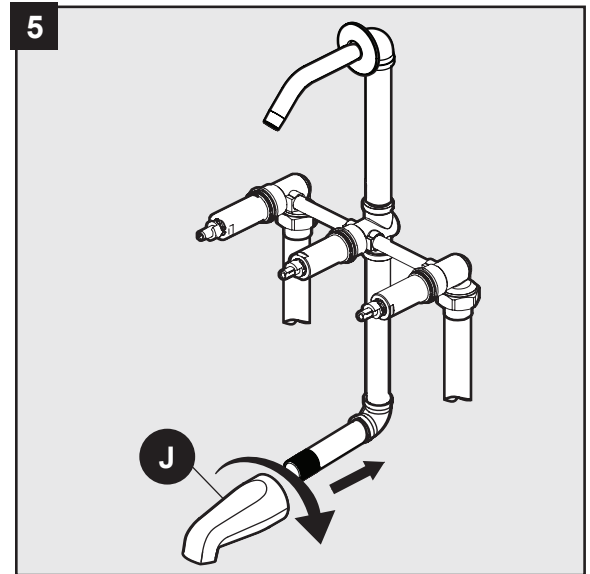


4. Install the shower arm (B):
 - a. Insert the long end of the shower arm (B) through the shower arm flange (A) and wrap thread sealant tape (not included) to both sides of the shower arm (B).
 - b. Thread the long end of the shower arm (B) into the pipe elbow inside the wall in a clockwise direction.
 - c. Carefully tighten the shower arm (B) with a wrench. Do not overtighten as it could do damage to the shower arm (B).



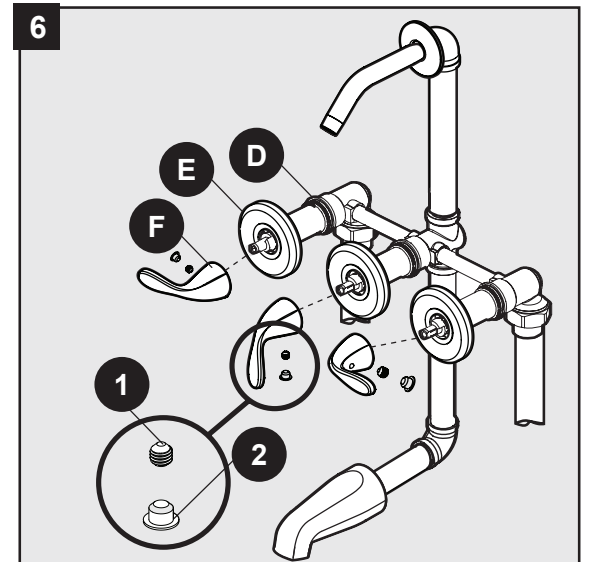
ASSEMBLY INSTRUCTIONS

5. Install the tub spout (J):
 - a. Wrap thread sealant tape (not included) around the pipe thread of the tub spout outlet pipe.
 - b. Thread the tub spout (J) onto the threaded connection and twist clockwise until the spout becomes flush with the finished wall.



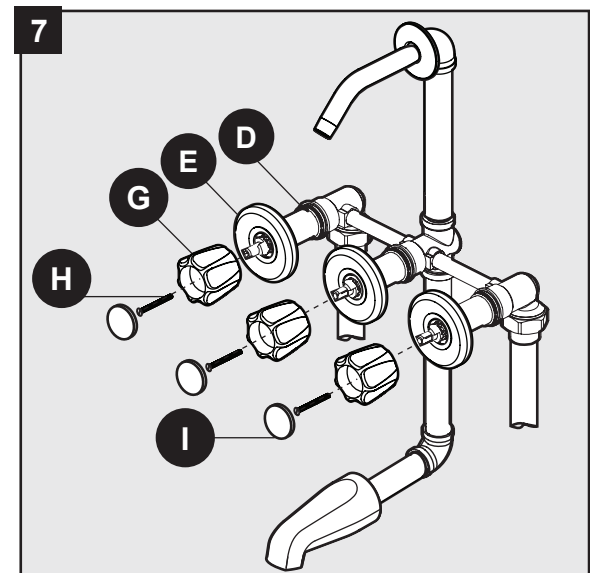
Skip this step if using acrylic handles.

6. If using the metal handles (F), remove the preassembled set screws (1) and indexes (2) from the metal handles (F) and slide the handle flanges (E) over the stems on the valve body (D). Place the metal handles (F) on the ends of the valve body (D) and secure to the valve body (D) by tightening the preassembled set screw (1) into the handle. After the set screw is tight, press the preassembled index (2) into the set screw hole.



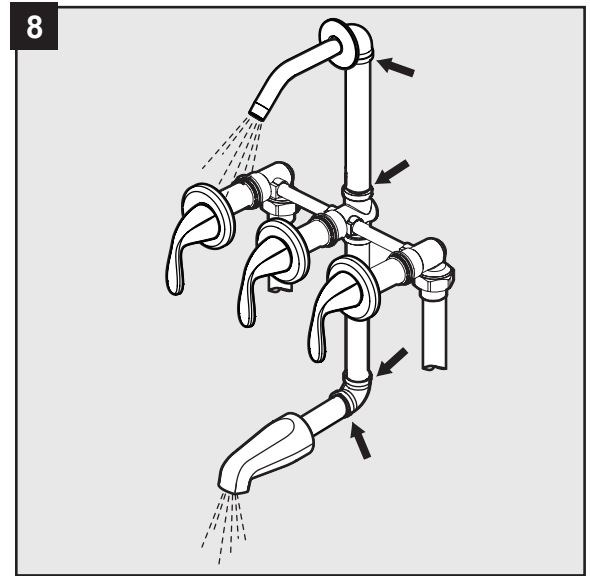
Skip this step if using the metal handles.

7. If using the acrylic handles (G), remove the preassembled screws on the valve body (D), slide the handle flanges (E) over the stems on the valve body (D). Place the acrylic handles (G) onto the ends of the valve body (D) and insert the acrylic handle screws (H) through the acrylic handles (G) and tighten with a screwdriver in a clockwise direction. Do not overtighten as damage to the handle or stem could occur. Place the acrylic handle caps (I) over the acrylic handles (G).

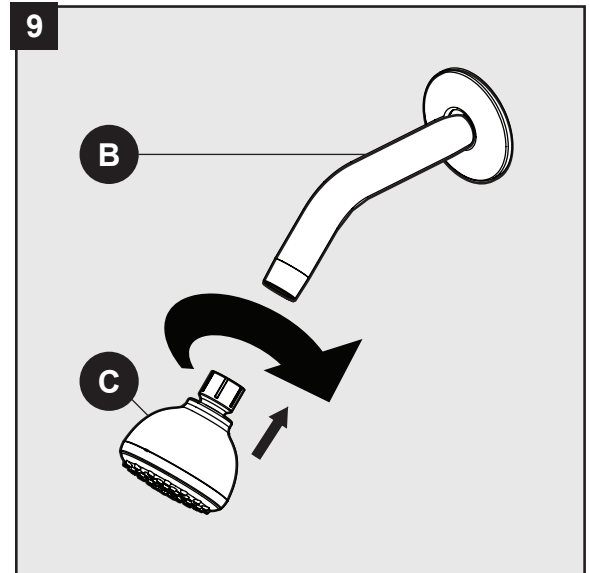


ASSEMBLY INSTRUCTIONS

8. Check for leaks:
 - a. Turn on the hot and cold water supply lines and allow the water to flow from the outlets until all foreign matter has been flushed out of the line. Run hot and then cold for one minute each.
 - b. Check for leaks.
 - c. Shut off the water at the faucet and supply lines.



9. Install the showerhead (C) to the end of the shower arm (B) by twisting in a clockwise direction. Tighten with a wrench. To avoid damage to the finish, place a cloth between the wrench and showerhead.



CARE AND MAINTENANCE

- Clean carefully by gently wiping with a grit-free damp cloth.
- Use only mild soap with water.
- Never use acids, harsh chemicals, or abrasive detergents to clean the surface.

TROUBLESHOOTING

PROBLEM	POSSIBLE CAUSE	CORRECTIVE ACTION
There is a leak from under the handle.	The cartridge is damaged.	Remove the handle and replace the cartridge.
There is an inconsistent water-flow pattern.	The showerhead is dirty or has accumulated debris.	Remove the showerhead and check for any debris clogged at the shower connection. Check the showerhead's spray nozzle for any build up or debris.
The spout/showerhead has a leak.	The cartridge is damaged.	Remove the handle and replace the cartridge.

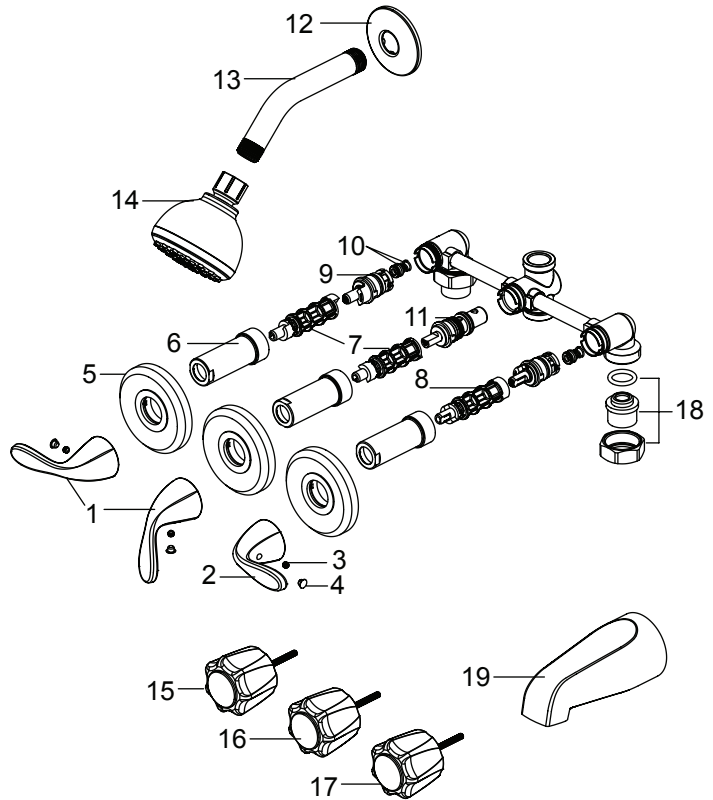
WARRANTY

This faucet has been manufactured under the highest standard of workmanship. All parts of this faucet are warranted to be free from leaks or drips during domestic use for as long as the original purchaser owns this product. **THIS EXCLUDES INDUSTRIAL, COMMERCIAL, OR BUSINESS USE.** The manufacturer will replace **FREE OF CHARGE**, under the warranty conditions the entire unit or any part (at our option) which proves defective in material and/or workmanship under normal installation, use, and service. This warranty is limited to defective parts as stated. All costs of removal and installation of the faucet, including the replacement of warranty parts are the responsibility of the purchaser. The manufacturer shall not be liable for incidental, consequential, or special damages arising at or in connection with product use or performance except as may otherwise be accorded by law. This warranty gives you specific legal rights, and you may also have other rights which may vary from state to state. Any damage to this faucet as a result of misuse, abuse, neglect, accident, improper installation, or any use violating instructions furnished by us, **WILL VOID THIS WARRANTY.** When requesting warranty service, you will need to present a copy of your sales receipt as proof of purchase. To obtain warranty service, call our customer service department at 1-866-389-8827.

REPLACEMENT PARTS LIST

For replacement parts, call our customer service department at 1-866-389-8827, 8 a.m. - 8 p.m., EST, Monday - Friday

PART	DESCRIPTION	PART #
1	Handle H	RP13277*
2	Handle C	RP13278*
3	Set Screw	RP50002
4	Index	RP10004
5	Handle Flange	RP80135*
6	Bonnet	RP70154*
7	Connector H	RP70098
8	Connector C	RP70064
9	Cartridge	RP22010
10	Disc and Spring	RP22008
11	Diverter	RP70163
12	Shower Arm Flange	RP80355*
13	Shower Arm	RP38158*
14	Showerhead	RP38176*
15	Handle H	RP13279
16	Handle	RP13280
17	Handle C	RP13281
18	Connector	RP70313
19	Tub Spout	RP33054*



* Available in Chrome Finish.

Printed in China
 Project Source® is a registered trademark of LF, LLC.
 All rights reserved.


PROJECT SOURCE®
 Lowes.com