



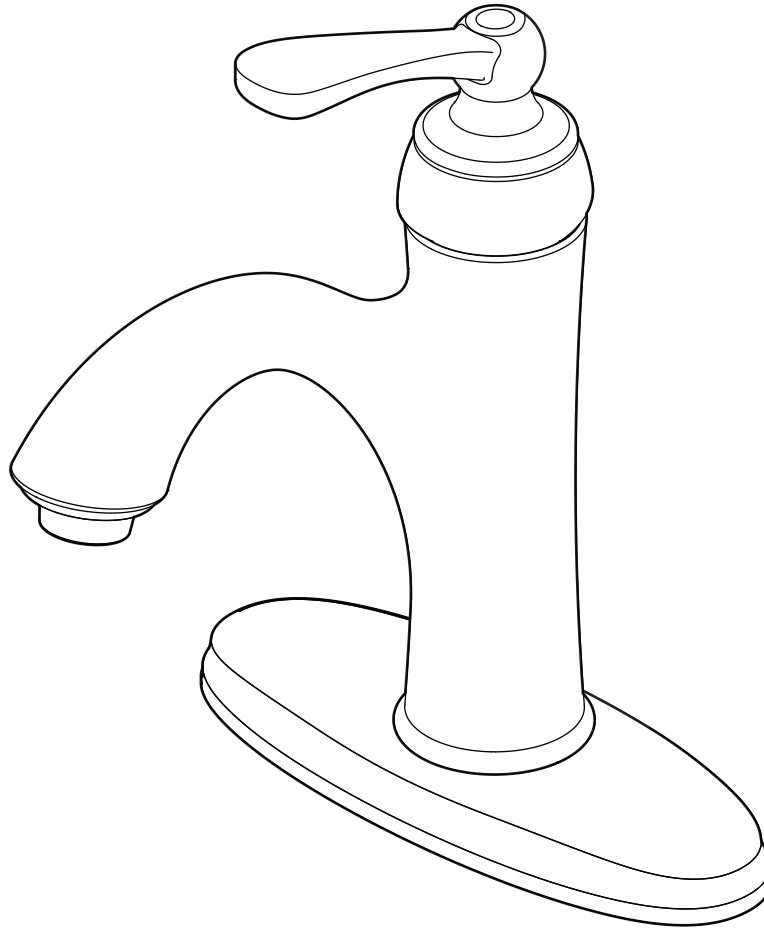
AquaSource® is a registered trademark of LF, LLC. All Rights Reserved.

ITEM #0040242 0749763
0039992 0749701

BATHROOM FAUCET

MODEL #67510-6001 67510W-6001
67510-6027H2 67510W-6027H2

Francias / Español p. 9



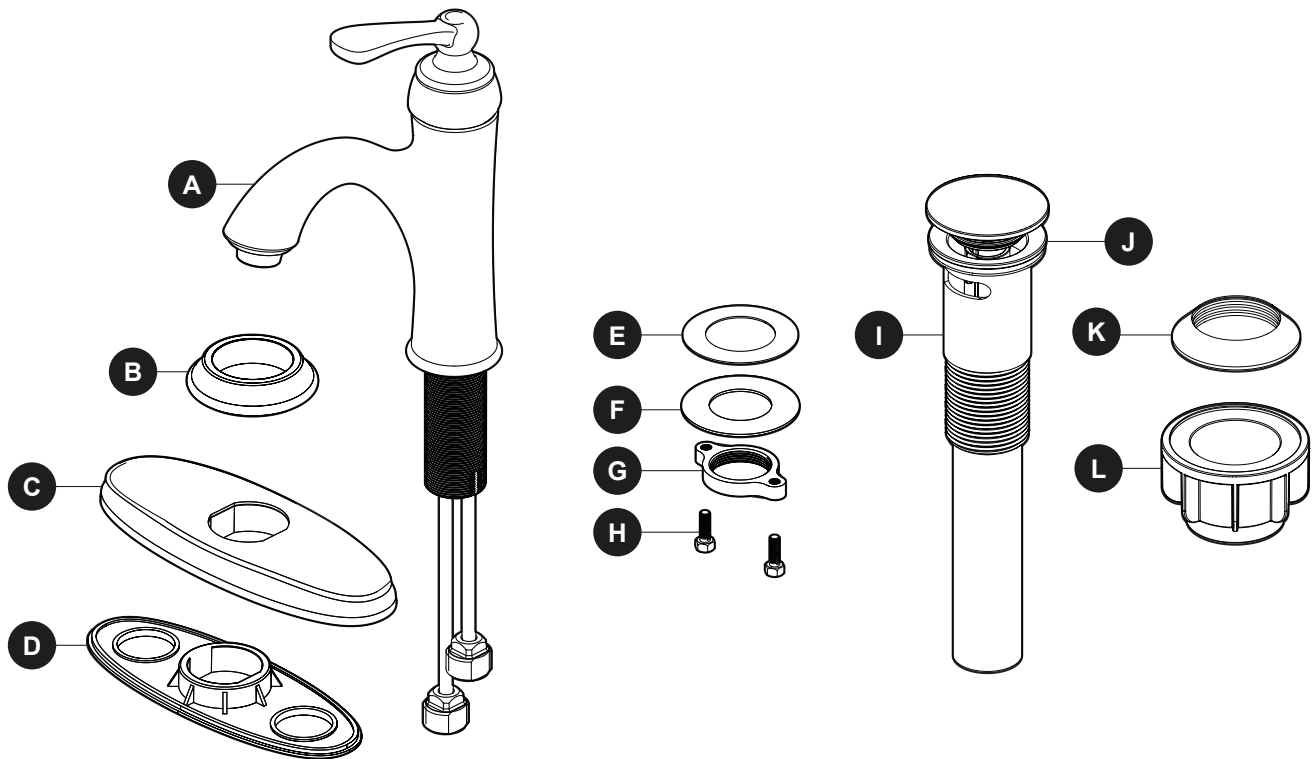
ATTACH YOUR RECEIPT HERE

Serial Number _____ Purchase Date _____



Questions, problems, missing parts? Before returning to your retailer, call our customer service department at 1-866-417-7564, 8 a.m. - 8 p.m., EST, Monday - Friday.

PACKAGE CONTENTS



PART	DESCRIPTION	QUANTITY
A	Faucet	1
B	Single Post Mounting Ring (Preassembled to Faucet (A))	1
C	Deck Plate	1
D	Base Plate	1
E	Plastic Washer (Preassembled to Faucet (A))	1
F	Metal Washer (Preassembled to Faucet (A))	1
G	Nut (Preassembled to Faucet (A))	1
H	Screw (Preassembled to Nut (G))	2
I	Pop-up Body	1
J	Top Gasket (Preassembled to Pop-up Body (I))	1
K	Bottom Gasket (Preassembled to Pop-up Body (I))	1
L	Nut (Preassembled to Pop-up Body (I))	1

SAFETY INFORMATION

Please read and understand this entire manual before attempting to assemble, operate, or install the product.

WARNING:

- Follow the installation instructions carefully. Proper installation is the installer's responsibility.
- Failure to follow correct installation procedures can result in the faucet being loose, which can result in serious injury.

CAUTION:

- Check local building codes before beginning installation to ensure compliance.

PREPARATION

Before beginning the assembly of this product, make sure all parts are present. Compare parts with the package contents and hardware contents list. If any part is missing or damaged, do not attempt to assemble the product.

Estimated Assembly Time: 60 minutes (including removal of old faucet)

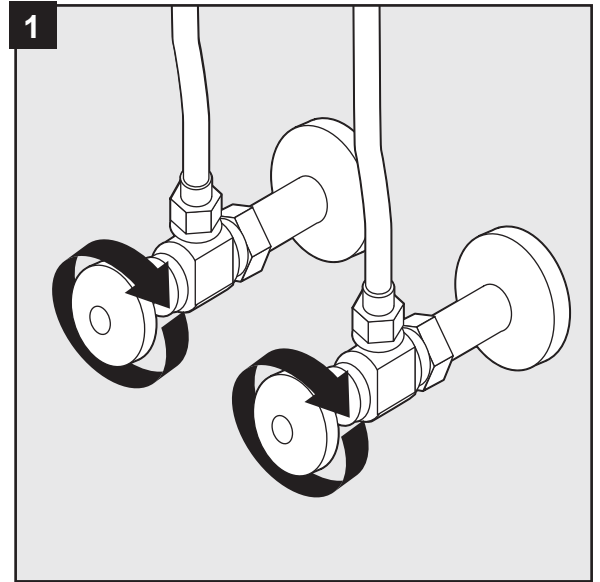
Tools Required for Assembly (not included): Adjustable Wrench, Silicone Sealant, Allen Wrench

Helpful Tools (not included): Basin Wrench, Water Supply Lines

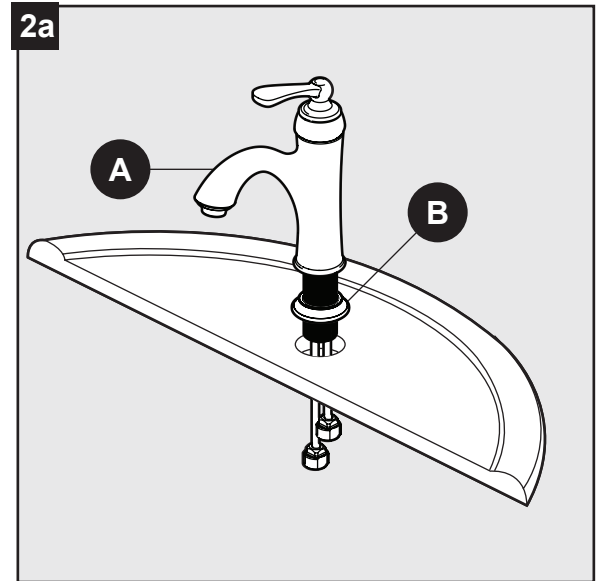
ASSEMBLY INSTRUCTIONS

1. Shut off the water supply and remove the old faucet.

Note: Each valve stop should be turned clockwise.

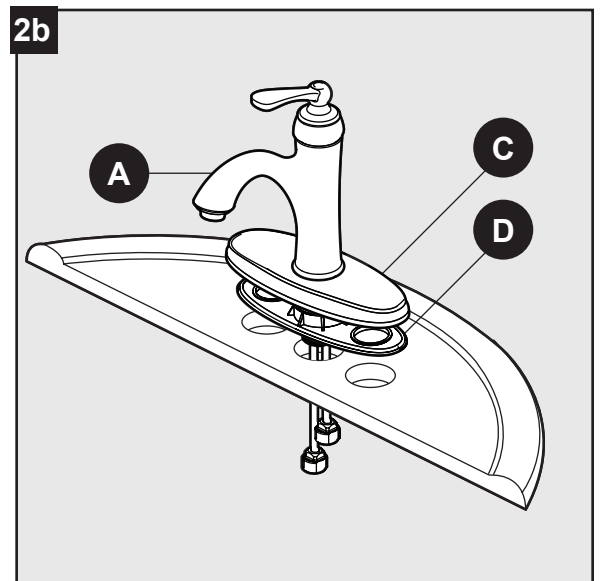


- 2a. For a single-hole installation, place the single post mounting ring (B) on the bottom of the faucet (A) and insert the faucet through the mounting hole in the sink.



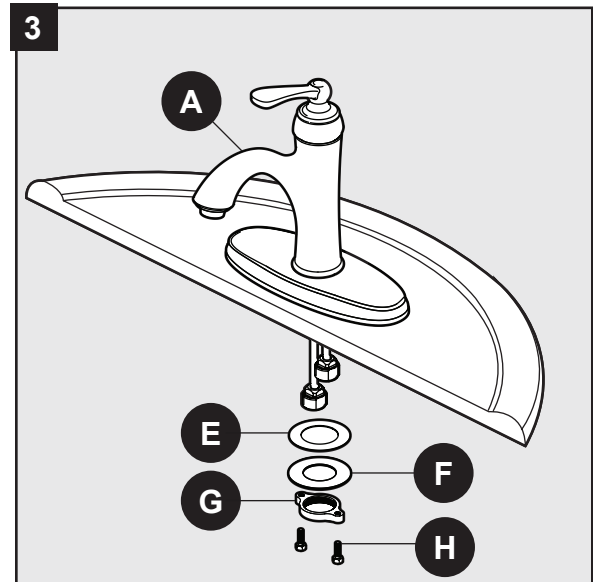
- 2b. For a three-hole installation, place the deck plate (C) and base plate (D) on the bottom of the new faucet (A) and place the faucet through the mounting holes in the sink.

Note: If the sink surface is uneven, use silicone sealant (not included) to create a watertight seal.



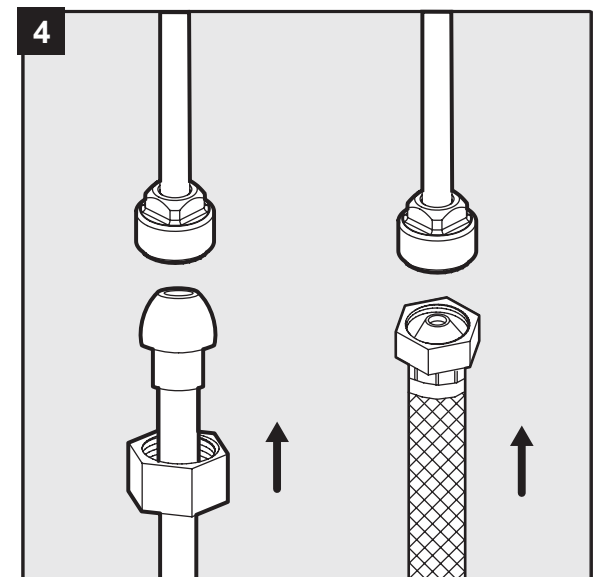
ASSEMBLY INSTRUCTIONS

3. From underneath the sink thread the plastic washer (E), metal washer (F), and nut (G) onto the faucet (A). Secure the faucet (A) to the sink with screws (H).

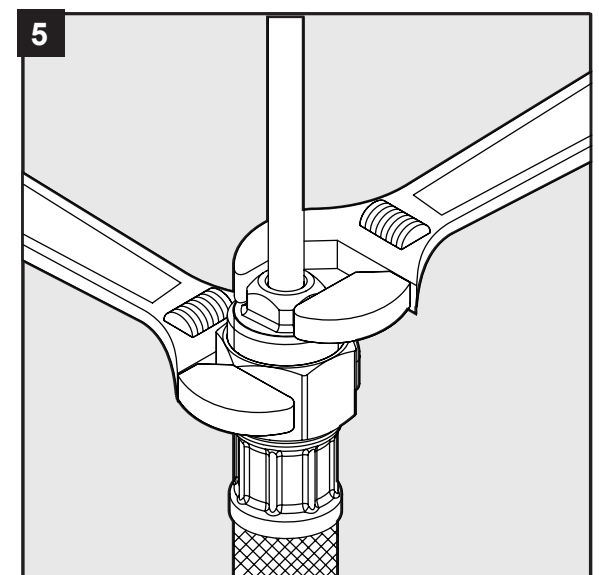


4. Connect a 1/2 in. IPS faucet connector or coupling nuts (not included) with 3/8 in. O.D. ball-nose risers (not included) to the water supplies underneath the sink using wrenches (not included). Do not overtighten.

Note: Refer to the local plumbing codes for permissible types of water supply connectors.

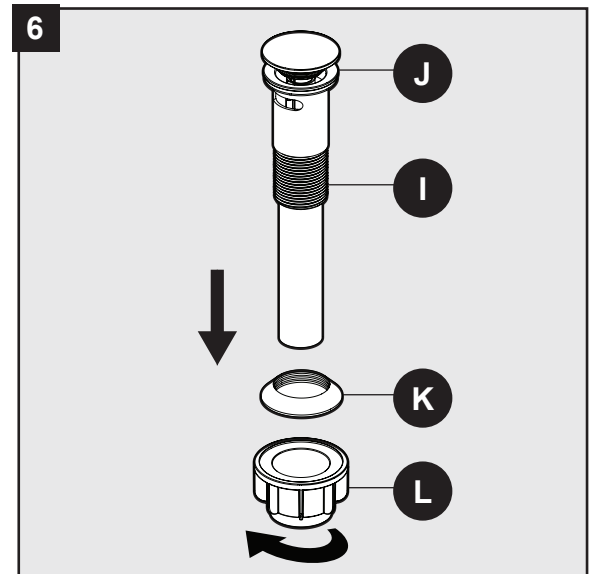


5. Before tightening the faucet connector to the water supply, apply a second wrench to the supply tube fitting. This will prevent the supply tube from moving or twisting when tightening the faucet connector. Do not overtighten.

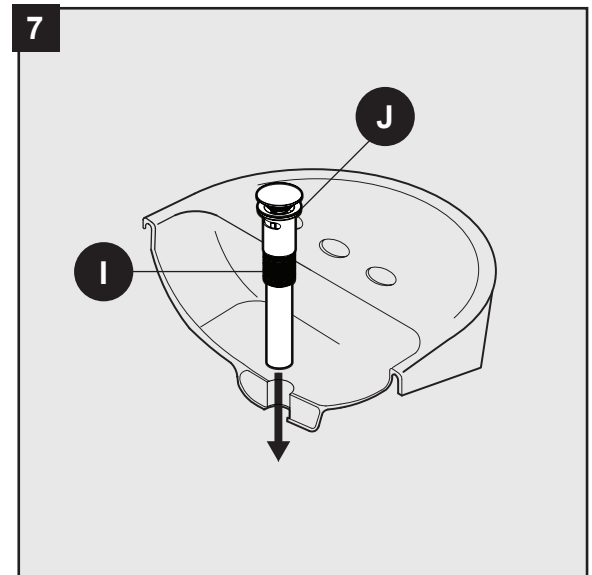


ASSEMBLY INSTRUCTIONS

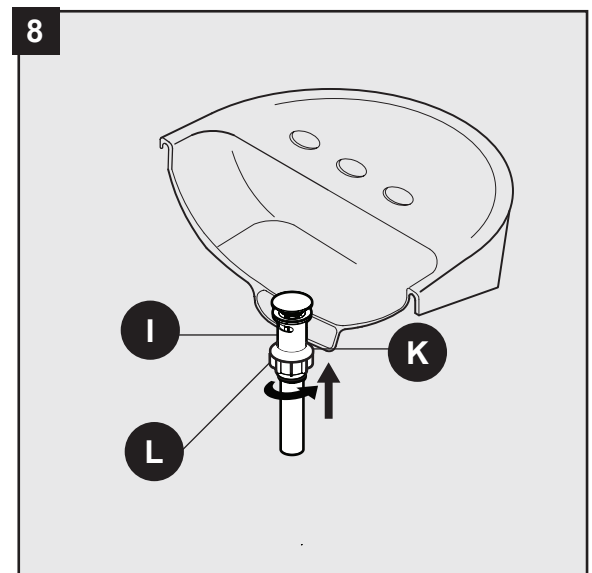
6. Remove the bottom gasket (K) and nut (L) from the top gasket (J) and pop-up body (I). Attach these pieces together by pushing the bottom gasket (K) down into the top of the nut (L) and twisting together.



7. Insert the pop-up body (I) into the sink. Ensure that the top gasket (J) rests securely between the top of the sink and the top of the pop up body (I).

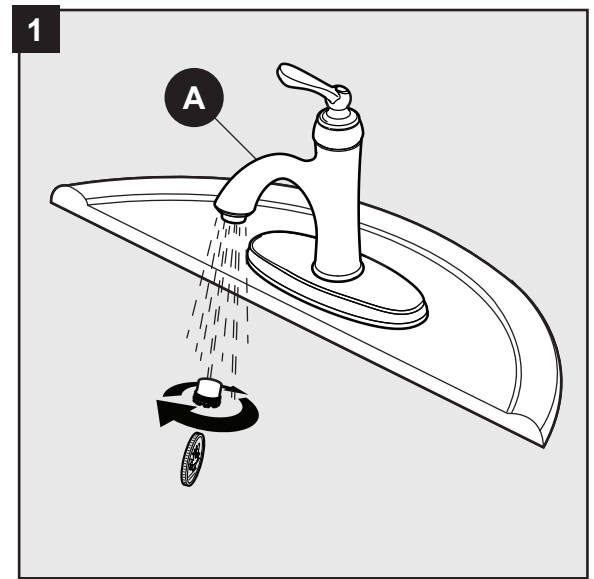


8. From underneath the sink, screw the bottom gasket (K) and nut (L) assembly onto the pop-up body (I) by twisting clockwise until secure.



OPERATING INSTRUCTIONS

1. After the installation is complete:
 - a. Remove the aerator from the faucet (A) using a coin (not included).
 - b. Turn on the water supply and allow both hot and cold water to run for at least one minute each.
 - c. While the water is running, check for leaks.
 - d. Replace the aerator.



CARE AND MAINTENANCE

- Clean carefully by gently wiping with a grit-free damp cloth.
- Use only mild soap with water.
- Never use acids, harsh chemicals, or abrasive detergents to clean the surface.

TROUBLESHOOTING

PROBLEM	POSSIBLE CAUSE	CORRECTIVE ACTION
There is a leak from under the handle or there is a leak from the spout when the faucet is off.	<ol style="list-style-type: none"> 1. The bonnet nut is not tight enough. 2. The cartridge is damaged. 	<ol style="list-style-type: none"> 1. Remove the handle and retighten the bonnet nut. 2. If the problem occurs after retightening the bonnet nut, call customer service for a new cartridge and replace it after you receive the new cartridge.
There is a leak from aerator when the faucet is on.	The aerator does not fit correctly on the faucet.	<ol style="list-style-type: none"> 1. Reinstall the aerator. 2. Call customer service for a new aerator and replace it after you receive the new aerator assembly.
The aerator has irregular or reduced water flow.	The aerator is dirty.	Remove the aerator and clear debris.

WARRANTY

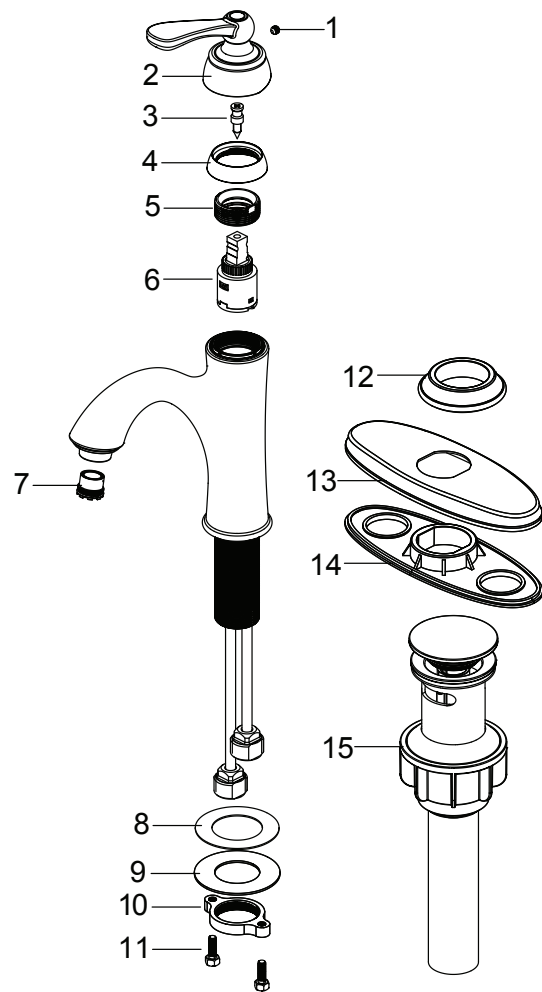
This faucet has been manufactured under the highest standard of workmanship. All parts of this faucet are warranted to be free from leaks or drips during domestic use for as long as the original purchaser owns this product. THIS EXCLUDES INDUSTRIAL, COMMERCIAL, OR BUSINESS USE. The manufacturer will replace FREE OF CHARGE, under the warranty conditions the entire unit or any part (at our option) which proves defective in material and/or workmanship under normal installation, use, and service. This warranty is limited to defective parts as stated. All costs of removal and installation of the faucet, including the replacement of warranty parts are the responsibility of the purchaser. The manufacturer shall not be liable for incidental, consequential, or special damages arising at or in connection with product use or performance except as may otherwise be accorded by law. This warranty gives you specific legal rights, and you may also have other rights which may vary from state to state. Any damage to this faucet as a result of misuse, abuse, neglect, accident, improper installation, or any use violating instructions furnished by us, WILL VOID THIS WARRANTY. When requesting warranty service, you will need to present a copy of your sales receipt as proof of purchase. To obtain warranty service, call our customer service department at 1-866-417-7564.

REPLACEMENT PARTS LIST

For replacement parts, call our customer service department at 1-866-417-7564, 8 a.m. - 8 p.m., EST, Monday - Friday.

PART	DESCRIPTION	PART #
1	Set Screw	RP50002
2	Handle	RP13274*
3	Connector	RP50153
4	Cap	RP80344*
5	Bonnet	RP70372
6	Cartridge	RP20031
7	Aerator (Use for 0040242 / 0039992)	RP30131
7	Aerator (Use for 0749763 / 0749701)	RP30187
8	Plastic Washer	RP64131
9	Metal Washer	RP64188
10	Nut	RP56086
11	Screw	RP50004
12	Single Post Mounting Ring	RP80345*
13	Deck Plate	RP80346*
14	Base Plate	RP80347
15	Pop-up Assembly	RP40176*

* Available in Chrome and Oil Rubbed Bronze Finish.



Printed in China

Aquasource® is a registered trademark of LF, LLC. All rights reserved.

Lowes.com **AquaSource®**