



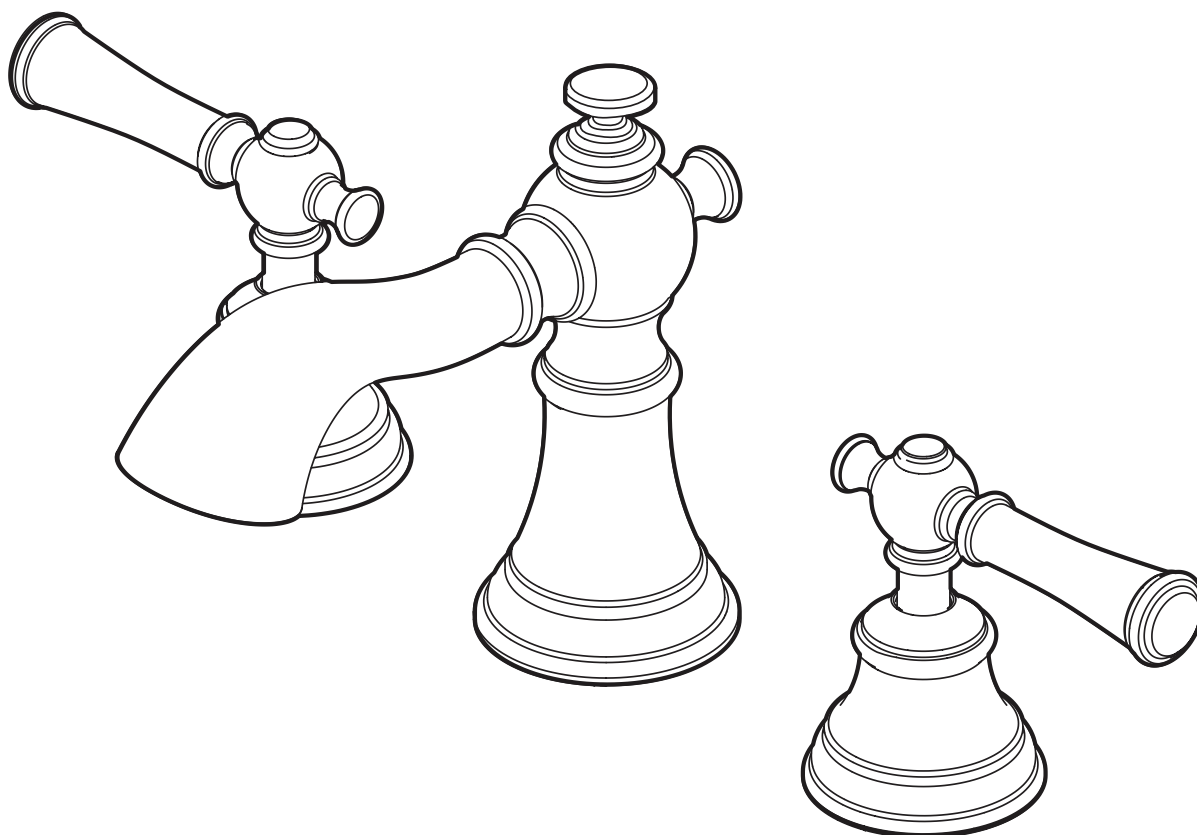
AquaSource® is a registered trademark of LF, LLC. All Rights Reserved.

ITEM #0065487 0749683

BATHROOM FAUCET

MODEL #67509-6027H2 67509W-6027H2

Francias / Español p. 10



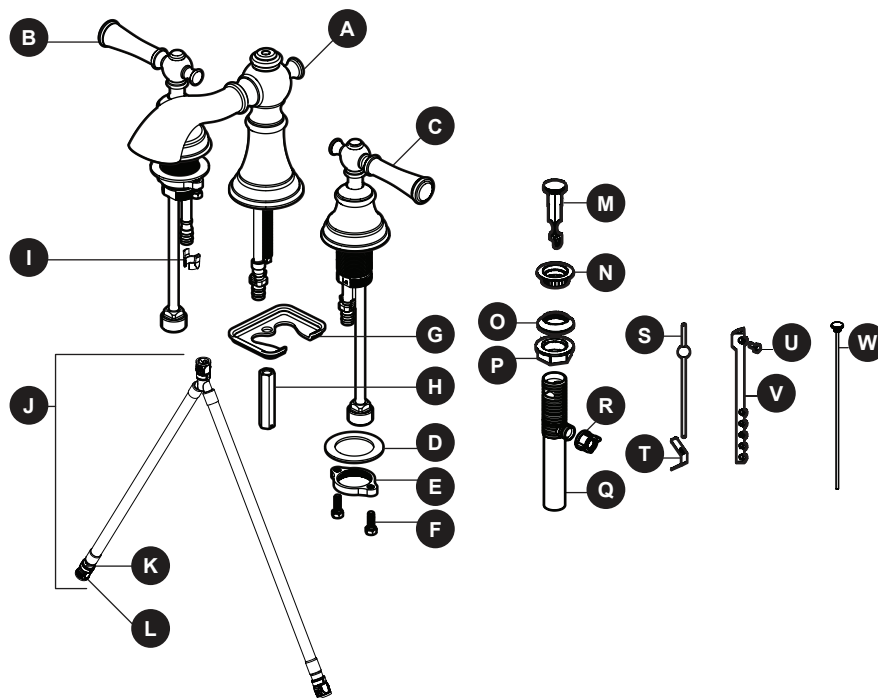
ATTACH YOUR RECEIPT HERE

Serial Number _____ Purchase Date _____



Questions, problems, missing parts? Before returning to your retailer, call our customer service department at 1-866-417-7564, 8 a.m. - 8 p.m., EST, Monday - Friday.

PACKAGE CONTENTS



PART	DESCRIPTION	QUANTITY
A	Spout	1
B	Hot End Valve	1
C	Cold End Valve	1
D	Washer (Preassembled to Hot End Valve (B) and Cold End Valve (C))	2
E	Bracket (Preassembled to Hot End Valve (B) and Cold End Valve (C))	2
F	Locking Screw (Preassembled to Bracket (E))	4
G	Metal Washer (Preassembled to Spout (A))	1
H	Nut (Preassembled to Spout (A))	1
I	Block (Preassembled to Spout (A), Hot End Valve (B) and Cold End Valve (C))	3
J	Hose	1
K	Quick Connect (Preassembled to Hose (J))	3
L	Tab (Preassembled to Hose (J))	3
M	Stopper (Preassembled to Pop-Up Body (Q))	1
N	Flange (Preassembled to Pop-Up Body (Q))	1
O	Gasket (Preassembled to Pop-Up Body (Q))	1
P	Nut (Preassembled to Pop-Up Body (Q))	1
Q	Pop-Up Body	1
R	Pivot Nut (Preassembled to Pop-Up Body (Q))	1
S	Horizontal Rod (Preassembled to Lift Rod Strap (V))	1
T	Clip (Preassembled to Lift Rod Strap (V))	1
U	Screw (Preassembled to Lift Rod Strap (V))	1
V	Lift Rod Strap	1
W	Lift Rod	1

SAFETY INFORMATION

Please read and understand this entire manual before attempting to assemble, operate, or install the product.

WARNING:

- Follow the installation instructions carefully. Proper installation is the installer's responsibility.
- Failure to follow correct installation procedures can result in the faucet being loose, which can result in serious injury.

CAUTION:

- Check local building codes before beginning installation to ensure compliance.

PREPARATION

Before beginning the assembly of this product, make sure all parts are present. Compare parts with the package contents and hardware contents list. If any part is missing or damaged, do not attempt to assemble the product.

Estimated Assembly Time: 60 minutes (including removal of old faucet)

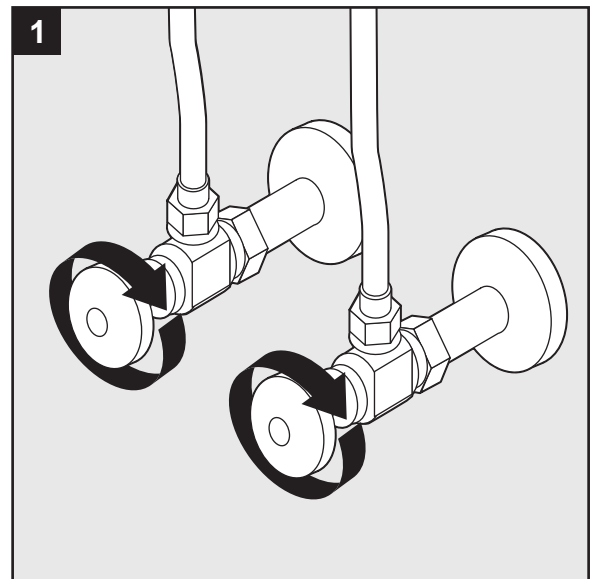
Tools Required for Assembly (not included): Adjustable Wrench, Silicone Sealant, Phillips Screwdriver

Helpful Tools (not included): Basin Wrench, Water Supply Lines

ASSEMBLY INSTRUCTIONS

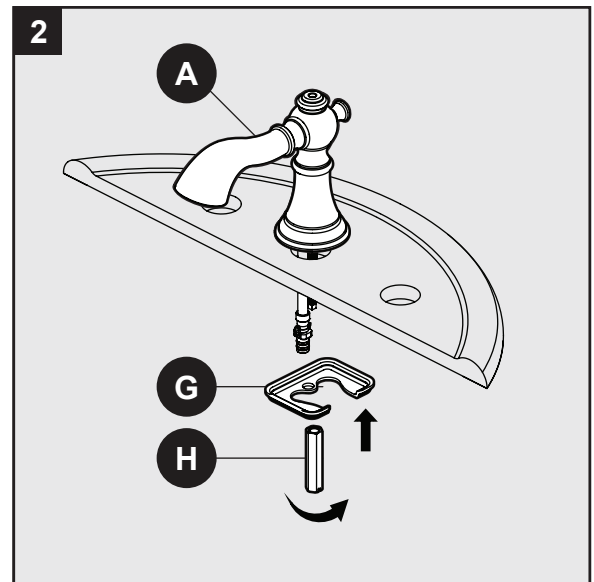
1. Shut off the water supply and remove the old faucet.

Note: Each valve stop should be turned clockwise.

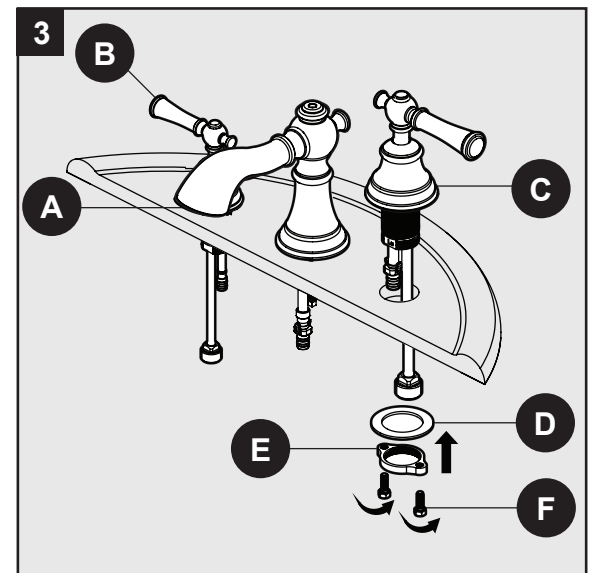


ASSEMBLY INSTRUCTIONS

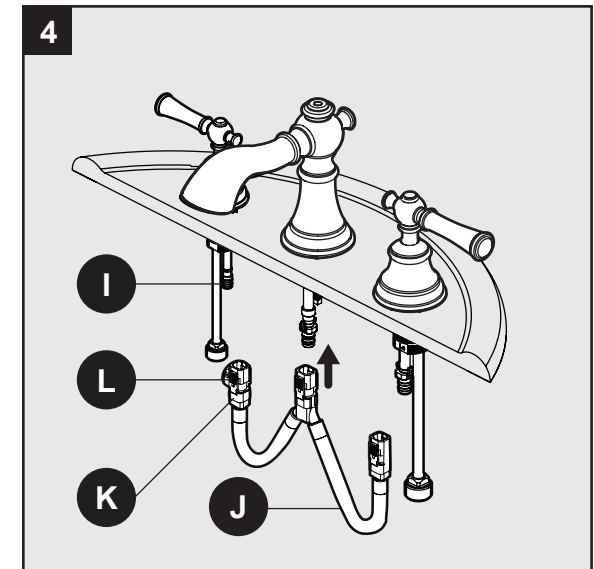
2. Install the spout (A):
 - a. Remove the preassembled metal washer (G) and nut (H) from the spout (A) and place the spout (A) through the center hole of the sink.
 - b. From underneath the sink, thread the metal washer (G) and nut (H) onto the spout (A).
 - c. Turn the nut (H) clockwise to secure the spout (A) to the sink.



3. Install the hot and cold end valves (B and C).
 - a. Position the hot and cold end valves (B and C) on the sink. Ensure that the handles are installed pointing away from the spout (A).
 - b. From underneath the sink, thread the washers (D) and brackets (E) onto the hot and cold end valves (B and C). Hand-tighten the brackets (E).
 - c. Secure the valves (B and C) to the sink by inserting two locking screws (F) into each bracket (E). Securely tighten.



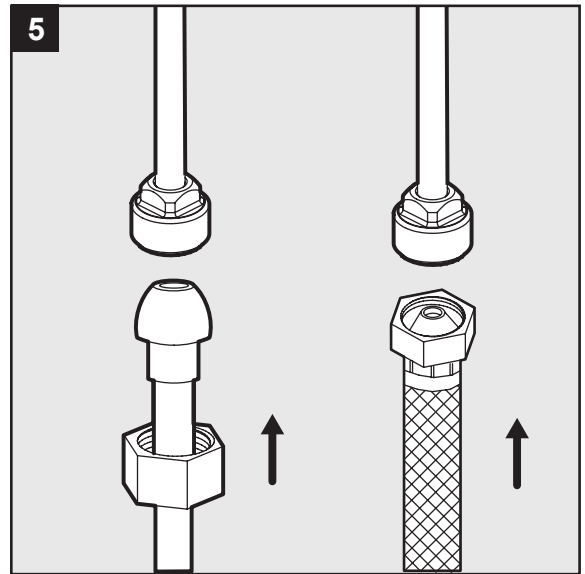
4. Attach the hose (J):
 - a. Align the blocks (I) and tabs (L) on the quick connects (K).
 - b. Push the quick connects (K) firmly upward and snap onto the blocks (I).
 - c. Pull down moderately to ensure each connection has been made. If it is necessary to remove the hose (J), press on the tabs (L) and pull the quick connects (K) down.



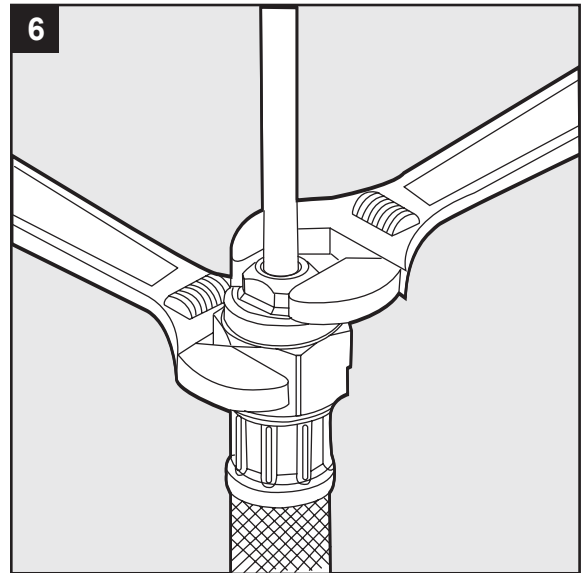
ASSEMBLY INSTRUCTIONS

5. Connect a 1/2 in. IPS faucet connector or coupling nuts (not included) with 3/8 in. O.D. ball-nose risers (not included) to the water supplies underneath the sink using wrenches (not included).

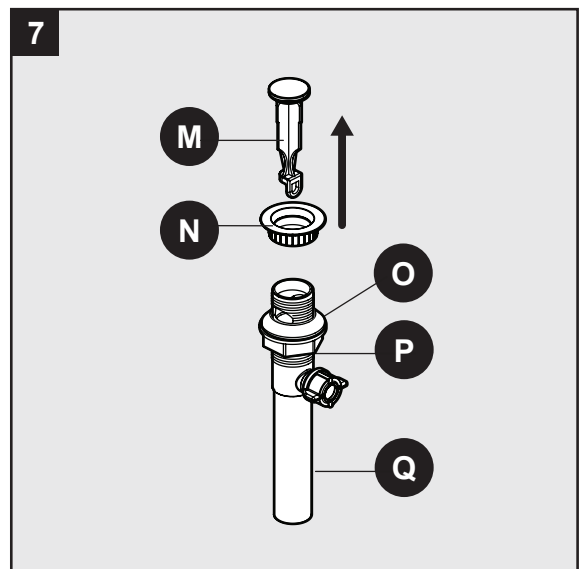
Note: Refer to the local plumbing codes for permissible types of water supply connectors.



6. Before tightening the faucet connector to the water supply, apply a second wrench to the supply tube fitting. This will prevent the supply tube from moving or twisting when tightening the faucet connector. Do not overtighten.

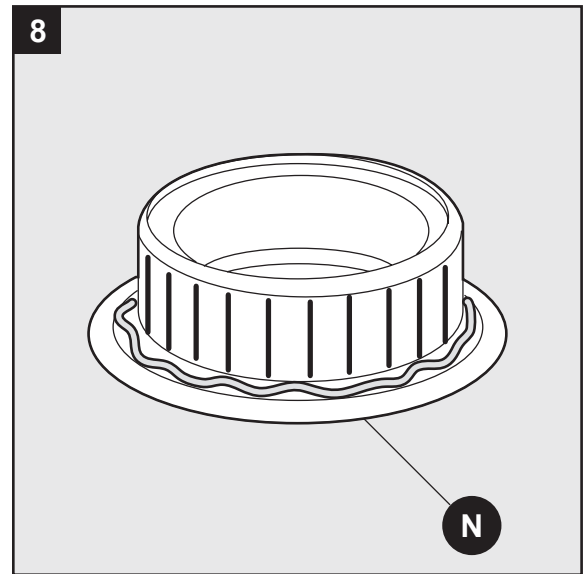


7. Remove the stopper (M) and the flange (N) from the pop-up body (Q). Screw the nut (P) all the way down onto the pop-up body (Q) and then push the gasket (O) down.

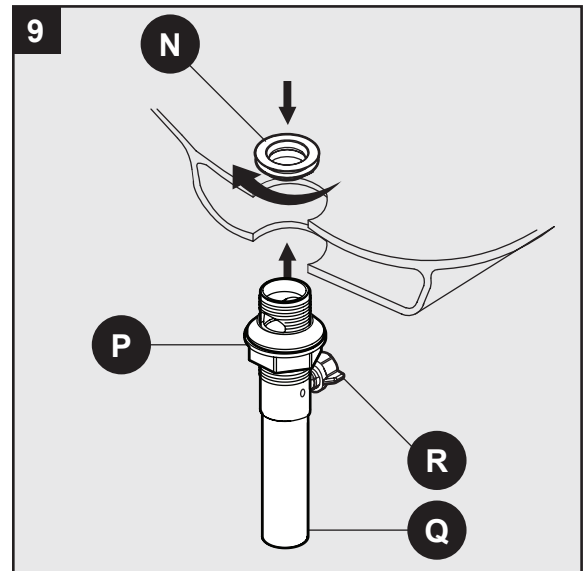


ASSEMBLY INSTRUCTIONS

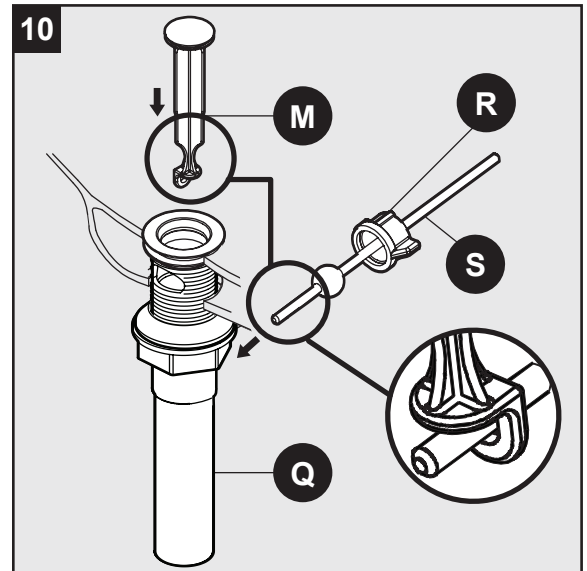
8. Apply silicone sealant (not included) to the underside of the flange (N).



9. Insert the pop-up body (Q) into the sink and screw the flange (N) onto the pop-up body (Q). Ensure the pivot hole is facing the back of the sink. Tighten the nut (P) and remove the pivot nut (R).

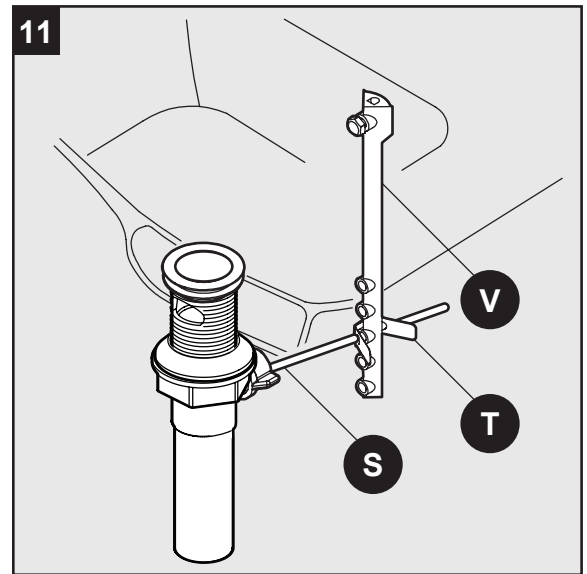


10. Insert the stopper (M) onto the sink. Remove the preassembled horizontal rod (S) and clip (T) from the lift rod strap (V). Install the horizontal rod (S) into the pop-up body (Q) and through the hole of the stopper (M). Install the pivot nut (R) onto the horizontal rod (S) and hand-tighten it back onto the pop-up body (Q).

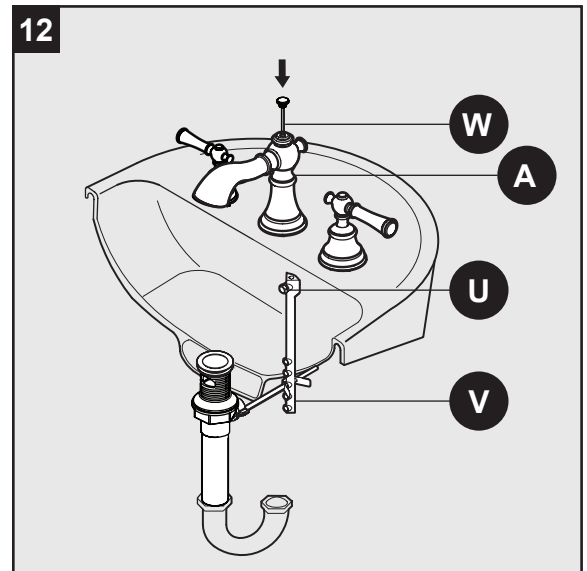


ASSEMBLY INSTRUCTIONS

11. Re-attach the lift rod strap (V) to the horizontal rod (S) using the clip (T).

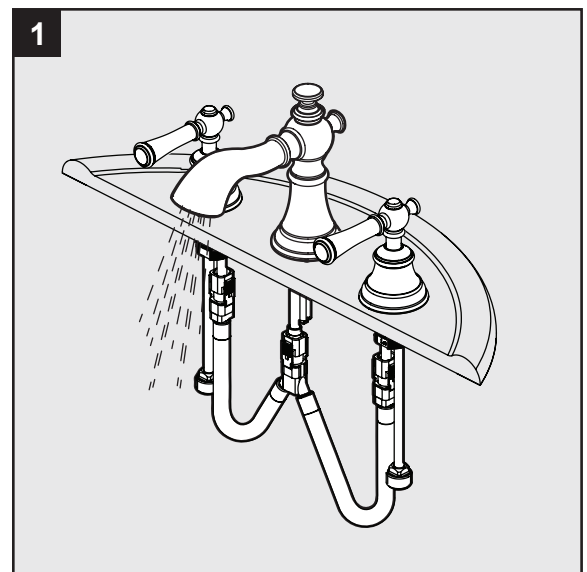


12. Insert the lift rod (W) through the spout (A) and into the lift rod strap (V). Tighten the screw (U) on the lift rod strap (V).



OPERATING INSTRUCTIONS

1. After the installation is complete:
 - a. Turn on the water supply and allow both hot and cold water to run for at least one minute each.
 - b. While the water is running, check for leaks.



CARE AND MAINTENANCE

- Clean carefully by gently wiping with a grit-free damp cloth.
- Use only mild soap with water.
- Never use acids, harsh chemicals, or abrasive detergents to clean the surface.

TROUBLESHOOTING

PROBLEM	POSSIBLE CAUSE	CORRECTIVE ACTION
There is a leak from under the handle or there is a leak from the spout when the faucet is off.	<ol style="list-style-type: none">1. The bonnet nut is not tight enough.2. The cartridge is damaged.	<ol style="list-style-type: none">1. Remove the handle and retighten the bonnet nut.2. If the problem occurs after retightening the bonnet nut, call customer service for a new cartridge and replace it after you receive the new cartridge.

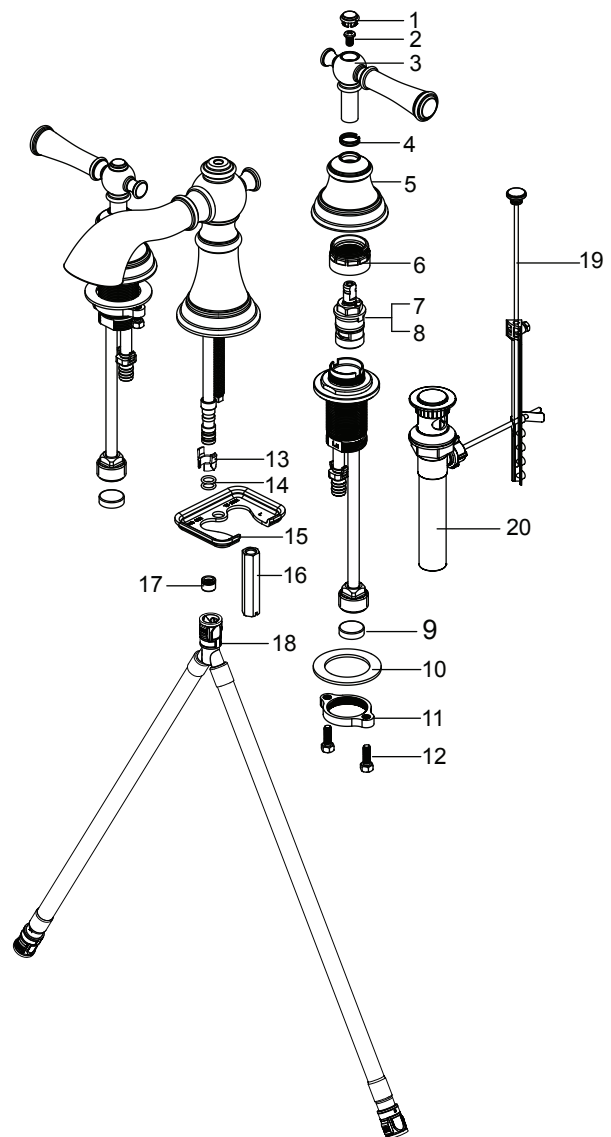
WARRANTY

This faucet has been manufactured under the highest standard of workmanship. All parts of this faucet are warranted to be free from leaks or drips during domestic use for as long as the original purchaser owns this product. **THIS EXCLUDES INDUSTRIAL, COMMERCIAL, OR BUSINESS USE.** The manufacturer will replace **FREE OF CHARGE**, under the warranty conditions the entire unit or any part (at our option) which proves defective in material and/or workmanship under normal installation, use, and service. This warranty is limited to defective parts as stated. All costs of removal and installation of the faucet, including the replacement of warranty parts are the responsibility of the purchaser. The manufacturer shall not be liable for incidental, consequential, or special damages arising at or in connection with product use or performance except as may otherwise be accorded by law. This warranty gives you specific legal rights, and you may also have other rights which may vary from state to state. Any damage to this faucet as a result of misuse, abuse, neglect, accident, improper installation, or any use violating instructions furnished by us, **WILL VOID THIS WARRANTY.** When requesting warranty service, you will need to present a copy of your sales receipt as proof of purchase. To obtain warranty service, call our customer service department at 1-866-417-7564.

REPLACEMENT PARTS LIST

For replacement parts, call our customer service department at 1-866-417-7564, 8 a.m. - 8 p.m., EST, Monday - Friday.

PART	DESCRIPTION	PART #
1	Index	RP10072*
2	Screw	RP50154
3	Handle	RP13276*
4	Washer	RP70150
5	Handle Seat	RP17143*
6	Bonnet	RP70397
7	Cartridge H	RP20013
8	Cartridge C	RP20014
9	Screen Filter	RP70072
10	Washer	RP64147
11	Bracket	RP56003
12	Locking Screw	RP50004
13	Block	RP70421
14	O-ring	RP60002
15	Metal Washer	RP70228
16	Nut	RP56012
17	Flow Restrictor (Use for 0065487)	RP70355
17	Flow Restrictor (Use for 0749683)	RP70518
18	Hose	RP70442
19	Lift Rod	RP40178*
20	Pop-Up	RP40027*



* Available in Oil Rubbed Bronze Finish.