



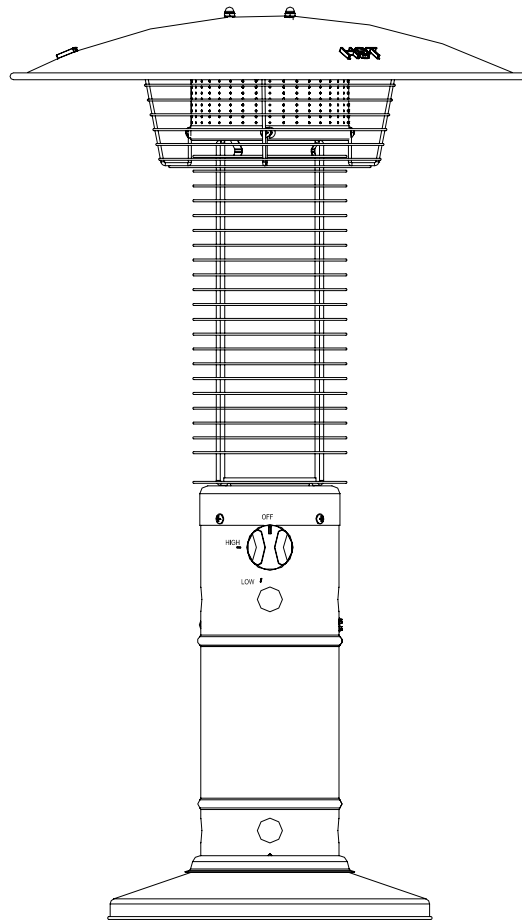
Garden Treasures® is a registered trademark of LF, LLC. All Rights Reserved.

ITEM #0574422 TABLETOP GAS PATIO HEATER

MODEL #PG169T-A

Français p. 17

Español p. 34



ATTACH YOUR RECEIPT HERE

Serial Number _____ Purchase Date _____



Questions, problems, missing parts? Before returning to your retailer, call our customer service department at 1-800-643-0067, 8 a.m. - 8 p.m., EST, Monday - Friday.


AB141026

Lowes.com/gardentreasures




TABLE OF CONTENTS

Product Specifications.....3
 Package Contents.....4
 Hardware Contents.....5
 Preparation.....5
 Safety Information.....5
 Assembly Instructions.....8
 Operating Instructions.....11
 Care and Maintenance.....13
 Troubleshooting.....14
 Warranty.....15
 Replacement Parts List.....16

 **DANGER**

FOR YOUR SAFETY
 If you smell gas:

1. Shut off gas to the appliance.
2. Extinguish any open flame.
3. If odor continues, keep away from the appliance and immediately call your gas supplier or fire department.


 **WARNING**

Do not store or use gasoline or other flammable vapors and liquids in the vicinity of this or any other appliance. An LP-cylinder not connected for use shall not be stored in the vicinity of this or any other appliance.

 **WARNING:**
 For Outdoor Use Only


 **WARNING**

Improper installation, adjustment, alteration, service or maintenance can cause property damage, injury or death. Read the installation, operation and maintenance instructions thoroughly before installing or servicing this equipment.

 **DANGER**

CARBON MONOXIDE HAZARD

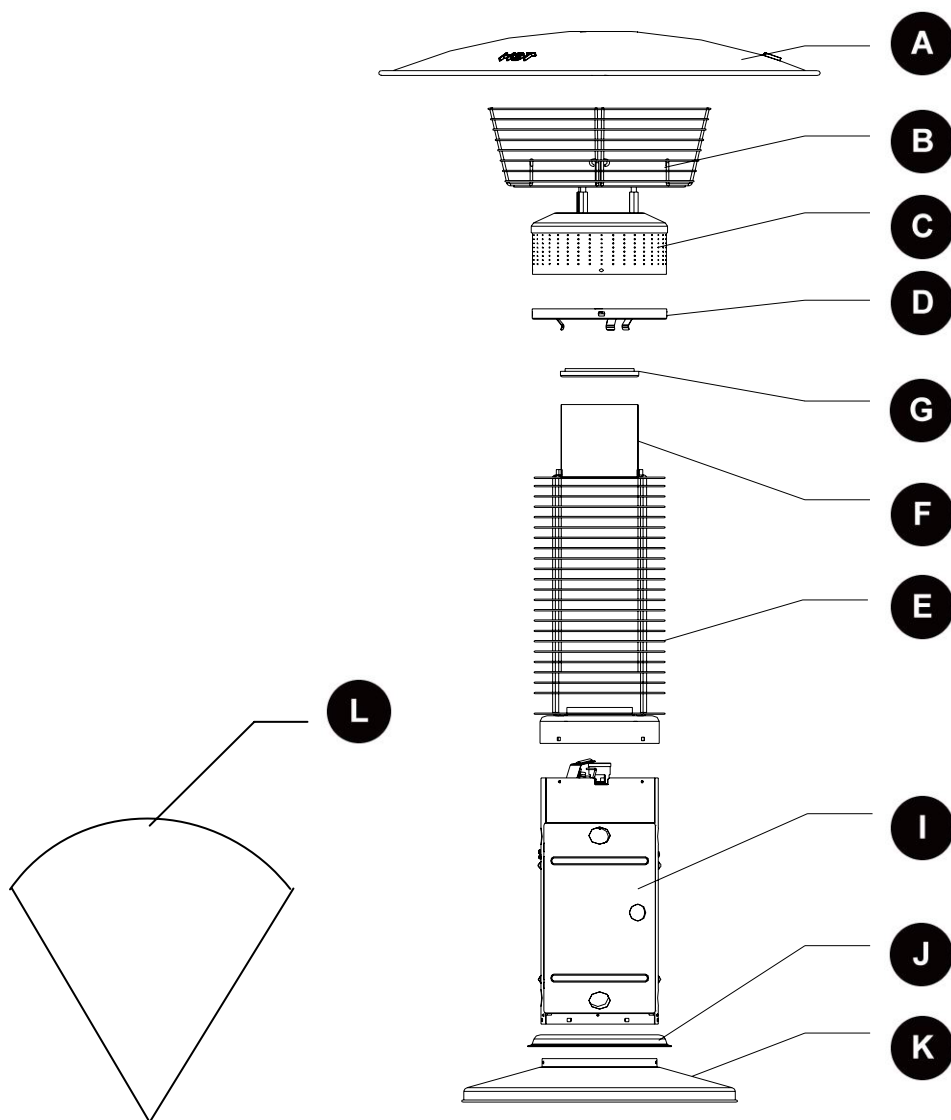
- This appliance can produce carbon monoxide, which has no odor.
- Using it in an enclosed space can kill you.
- Never use this appliance in an enclosed space such as a camper, tent, car or home.



PRODUCT SPECIFICATIONS

Certification	CSA
Height Overall	37 inches
Reflector Diameter	20.4 inches
Rated Heat Input	11,000 BTU/HR
Fuel	Propane-LP
Gas Supply	1-Lb LP-Gas Cylinder
Manifold Pressure	11 inches W.C.
Injector Size (Diameter)	0.98 mm
Safety Features	Tilt Switch & Thermocouple
Gas Supply Pressure	Max 150 PSI, Min 5 PSI

PACKAGE CONTENTS



PART	DESCRIPTION	QUANTITY
A	Reflector	1
B	Top Wire Guard	1
C	Emitter Assembly	1
D	Glass Cap	1
E	Wire Guard Assembly	1
F	Glass Tube	1

PART	DESCRIPTION	QUANTITY
G	Black Silicone Ring	1
I	Housing Assembly	1
J	Plastic Ring	1
K	Base	1
L	Cover	1

HARDWARE CONTENTS

					
Acorn Nut Qty. 3	Long Bolt Qty. 4	Nut Qty. 4	Washer Qty. 4	Short Bolt Qty. 8	Nut Removal Tool Qty. 1

PREPARATION

Before beginning assembly of product, make sure all parts are present. Compare parts with package contents list and hardware contents list. If any part is missing or damaged, do not attempt to assemble the product.

Estimated Assembly Time: 20 minutes.

Tools Required for Assembly: Phillips screwdriver (not included) / Nut Removal Tool (included)



SAFETY INFORMATION

Please read and understand this entire manual before attempting to assemble, operate or install the product.

- CALIFORNIA PROPOSITION 65 WARNING: Chemicals known to the state of California to cause cancer, birth defects or other reproductive harm are created by combustion of propane.
- The installation must conform with local codes or, in the absence of local codes, with the National Fuel Gas Code, ANSI Z223.1 /NFPA 54, Natural Gas and Propane Installation Code, CSA B149.1, or Propane Storage and Handling Code, B149.2.



DANGER

- Young children should be carefully supervised when they are in the area of the item.
- Keep the ventilation opening(s) of the cylinder enclosure free and clear from debris. Use this appliance in a well-ventilated space only. Do not use it in a building, garage or any other enclosed area.
- Use this appliance in outdoor areas described below:
 - (a) With walls on all sides, but at least one permanent opening at ground level and no overhead cover.



SAFETY INFORMATION

- (b) Within a partial enclosure that includes overhead cover and no more than two walls. These walls may be parallel, or at right angles to each other.
- (c) Within a partial enclosure that includes overhead cover and no more than two walls. The following shall apply:
 - (i) One wall that is equivalent to at least 25% of the total wall area is completely open.
 - (ii) 30% or more in total of the remaining wall area is open and unrestricted.
- Store the cylinder outdoors in a well-ventilated area (not in a building, garage, or other enclosed area) out of the reach of children.
- Do not store a spare LP-gas cylinder under or near this appliance.
- Never fill the cylinder beyond 80 percent full.



WARNING

- Inspect the visible portion of the hose before each use of the appliance
 - Perform a leak test with a soapy solution:
 - (a) To check gas connections.
 - (b) After connecting a new cylinder.
 - (c) Upon re-assembly after disassembly.
- Please refer to the leak test procedure indicated in this instruction manual on page 11.
- Replace the hose assembly prior to the appliance being put into operation if there is evidence of excessive abrasion or wear, or if the hose is damaged. The pressure regulator and hose assembly supplied with the appliance must be used. The replacement hose assembly/ regulator shall be that specified by the manufacturer.
- The cylinder used must include a collar to protect the cylinder valve.
 - Installation and repair should be done by qualified service person; the heater should be inspected before use and at least annually by a qualified service person.
 - Do not obstruct the flow of combustion and ventilation air.
 - The LP-gas supply cylinder to be used must be:
 - (a) Constructed and marked in accordance with the Specifications for LP-gas cylinders of the U.S. Department of Transportation of Dangerous Goods and Commission, CAN/CSA-B339, as applicable;
 - (b) Provided with a listed overfilling prevention device; and
 - (c) Provided with a cylinder connection device compatible with the connection for the appliance.
 - Disconnect the cylinder when the appliance is not in use.
 - Storage of an appliance indoors is permissible only if the cylinder is disconnected and removed from the appliance.



SAFETY INFORMATION

- Materials or items when stored under the heater will be subjected to intense heat and could be seriously damaged.
- Clothing or other flammable materials should not be hung on the heater, or placed on, under or near the heater.
- Children and adults should be alerted to the hazards of high surface temperatures and should stay away from the item to avoid burns or clothing ignition.

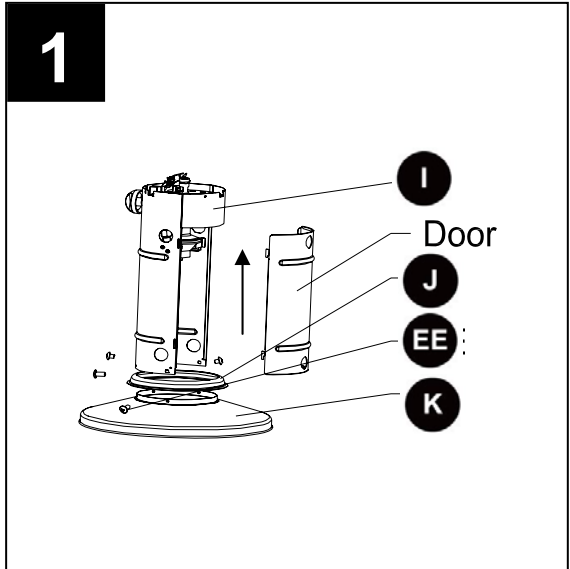


CAUTION

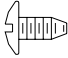
- Minimum clearance to the combustible materials is 24 inches.
- If you don't feel the heater is on a stable surface, use a ground screw to fix the base of the heater on the surface where the heater is installed. Fix the base on an incline no wider than 15 degrees.
- Any guard or other protective device removed for servicing the heater must be replaced prior to operating the heater.
- More frequent cleaning may be required as necessary. It is imperative that the control compartment, burners and circulating air passageways of the heater to kept clean.
- Keep the appliance area clear and free from combustible materials, gasoline and other flammable vapors and liquids.
- Inspect the visible portion of the hose before each use of the appliance. When portions of the hose are located within the confines of the heater post, instructions to inspect the entire hose assembly at least annually. If disassembly is required, the instructions shall also include the proper procedure for leak checking the connections upon re-assembly.
- More frequent cleaning may be required as necessary. It is imperative the control compartment, burners and circulating air passageways of the heater are kept clean.
- **Keep this manual for future reference and to educate new users of this product.**

ASSEMBLY INSTRUCTIONS

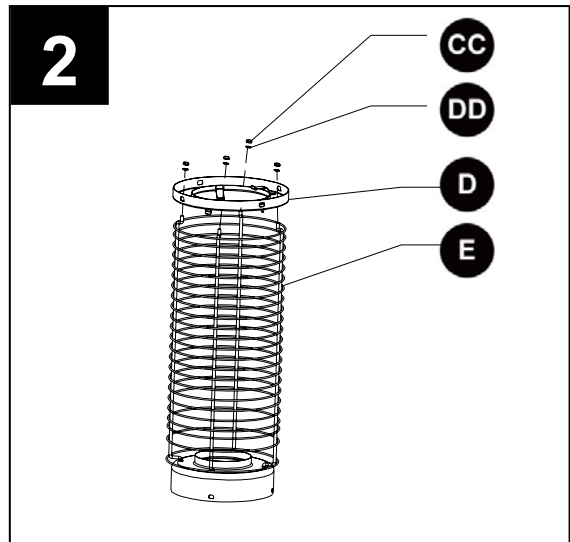
1. Remove the door from the housing assembly (I) by lifting the door off the hinges. Insert the bottom of the housing assembly (I) into the top of the plastic ring (J) and attach to base (K) with short bolts (EE). Re-attach the door.





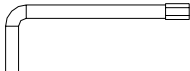
Hardware Used

- EE Short Bolt  x 4

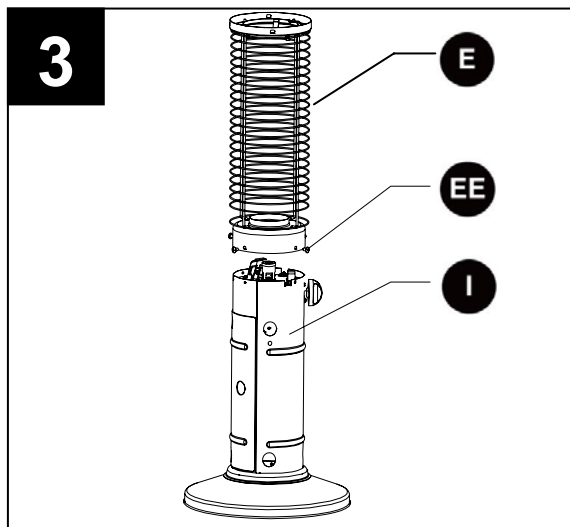
2. Attach the glass cap (D) to the wire guard assembly (E) using nuts (CC), washers (DD) and nut removal tool (FF) to tighten.



Hardware Used

- CC Nut  x 4
- DD Washer  x 4
- FF Nut removal tool  x 1

3. Attach the wire guard assembly (E) to the housing assembly (I) using short bolts (EE).

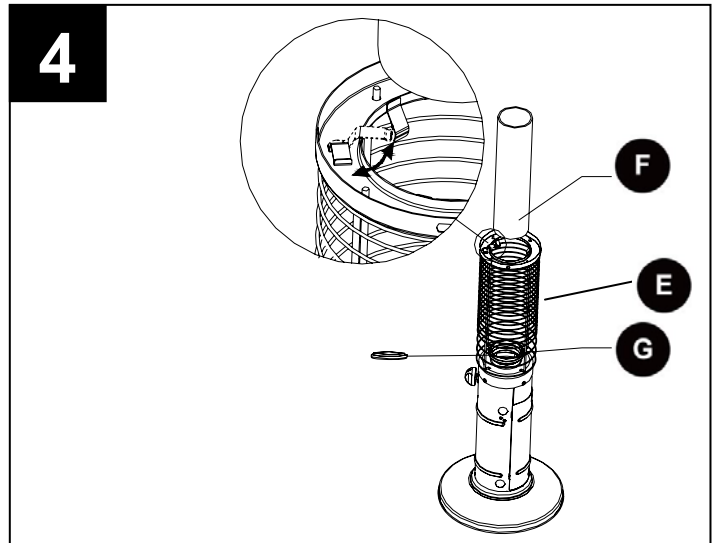


Hardware Used

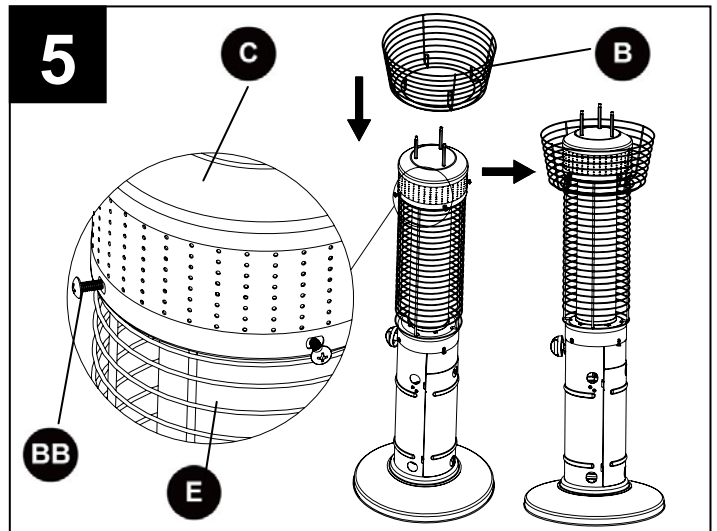
- EE Short Bolt  x 4

ASSEMBLY INSTRUCTIONS

4. Insert black silicone ring (G) onto shroud cover from inside of wire guard assembly (E). Open the gauge preassembled on the top of wire guard assembly (E), then carefully place glass tube (F) onto black silicone ring (G). Close snap gauges.



5. Attach the emitter assembly (C) to the wire guard assembly (E) with long bolts (BB) as shown, leaving the bolts protruding above the surface. Attach the top wire guard (B) to the wire guard assembly (E), and then tighten the long bolts (BB).



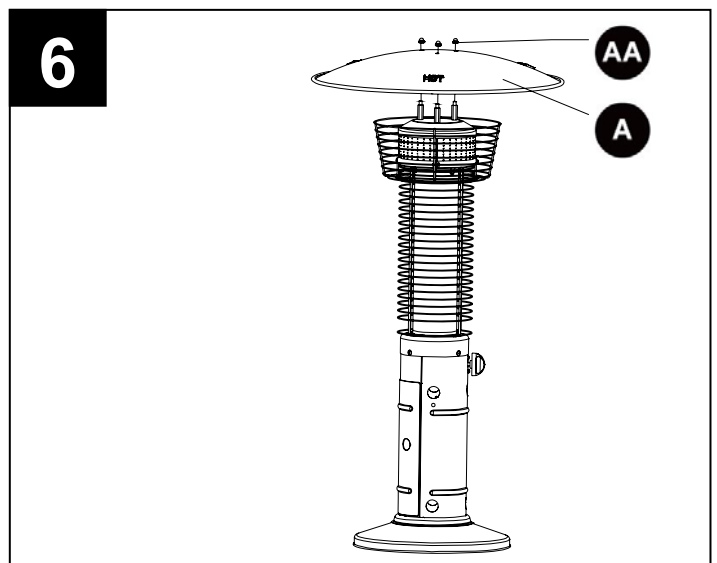
Hardware Used

BB Long Bolt  x 4

6. Attach the reflector (A) to the preassembled spacers on emitter assembly (B) using acorn nuts (AA).

Hardware Used

AA Acorn Nut  x 3



ASSEMBLY INSTRUCTIONS

- Open the door on the housing assembly (E), turning the connection end of the preassembled regulator to face outward. Attach a 1 lb. LP-gas tank (sold separately) to regulator. Then, turn the regulator until the tank is in an upright position. Close the door.



Caution

This appliance uses a 1 lb. cylinder only.

Only a cylinder marked "propane" can be used.

HAND TIGHTEN ONLY.

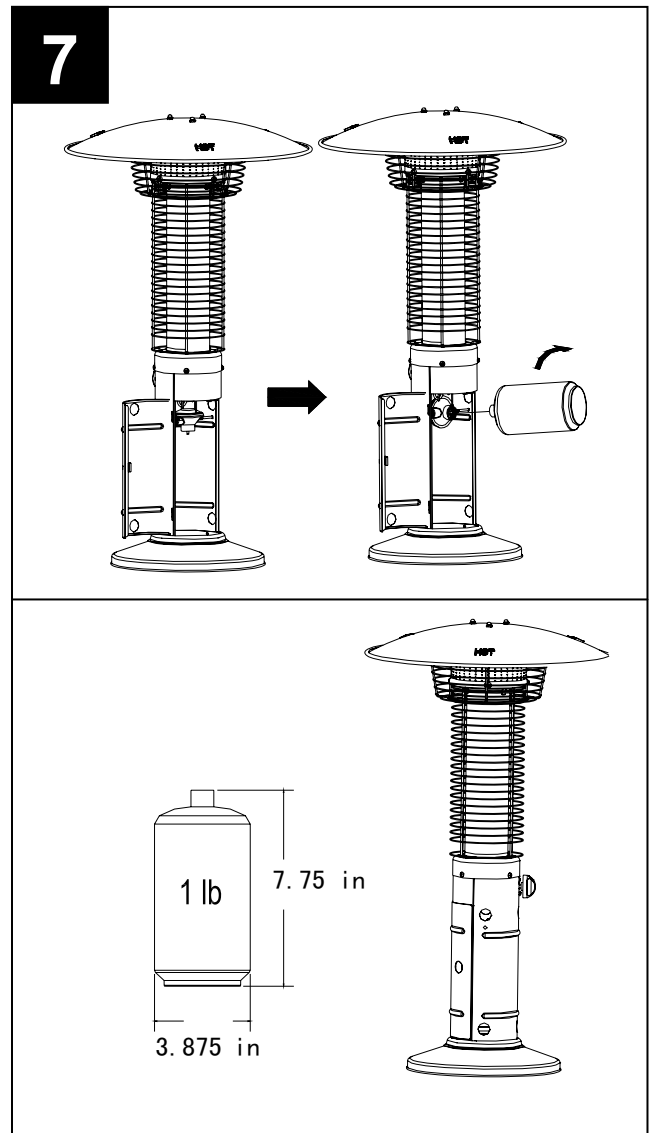
Be careful not to cross threads when screwing in canister.

Keep the tank vertically upright for vapor withdrawal.



DANGER

Failure to check for leaks could cause a fire or an explosion, which can cause death, serious bodily injury or damage to property.



OPERATING INSTRUCTIONS



Before Lighting

The item was designed and approved for **OUTDOOR USE ONLY**. **DO NOT** use it inside a building, garage or any other enclosed area.

Make sure surrounding areas are free of combustible materials, gasoline and other flammable vapors or liquids.

Ensure there is no obstruction to air ventilation.

Be sure all gas connections are tight and there are no leaks.

Be sure the access panel is clear of debris.

Be sure any component removed during assembly or servicing is replaced and fastened prior to starting.

Checking for Leaks

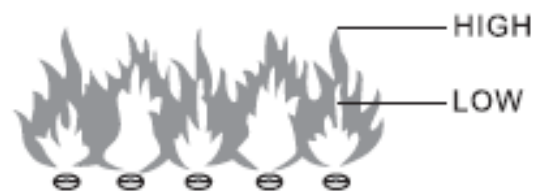
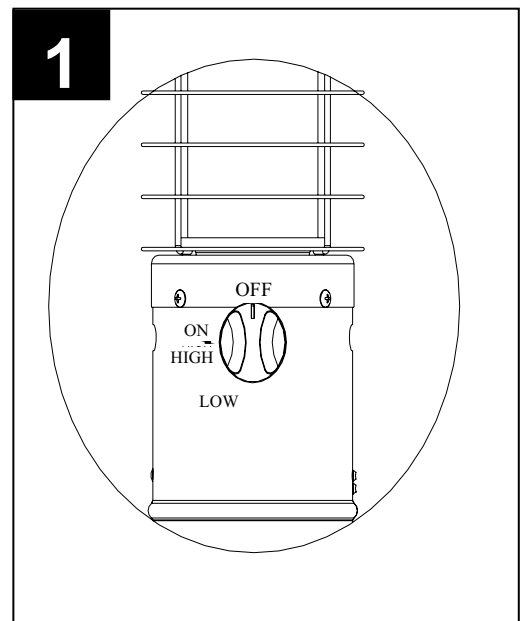
Make 2-3 oz. of leak solution by mixing one-part liquid dish soap with three-parts water.

1. Make sure control knobs are off.
2. Spoon or brush several drops (or use squirt bottle) of solution onto the gas regulator and tank connection.
3. Turn on the gas cylinder valve. Inspect the connections and look for bubbles.
 - a. If no bubbles appear, the connection is safe.
 - b. If bubbles appear, there is leakage. Loosen and re-tighten this connection. If it still leaks, please call customer service.

Note: Whenever gas connections are loosened, removed or re-assembled, you must perform a complete leak test.

Lighting

1. Ensure the control knob is in the "OFF" position.
2. Push in control knob and rotate it to the "ON" position. This will activate the built-in igniter and light the burner. If necessary, keep depressing and rotating knob until burner lights.
3. Once burner is lit, hold control knob in for at least 30 seconds and release.
4. If burner does not stay lit, turn to "OFF" position and wait 5 minutes and repeat steps 2 and 3.
5. Once burner is lit, rotate control knob to desired heating level. If you experience any issues while attempting to light the item, turn off the heater and gas supply and refer to TROUBLESHOOTING on page 14.
6. Visually check the burner flame against the illustrations below:
 - 1) **Flame should be slight blue at the bottom and strong yellow at the entire top..**
 - 2) You should see a smaller flame in LOW position than seen on HIGH. Perform flame check prior to each use. If only low flame is seen, refer to "Burner flame is low" in the "TROUBLESHOOTING" on page 14.



OPERATING INSTRUCTIONS



CAUTION

Avoid inhaling fumes emitted from the heater's first use. Smoke and odor from the burning of oils used in manufacturing will appear. Both smoke and odor will dissipate after approximately 30 minutes. The heater should NOT produce thick black smoke.

Re-lighting

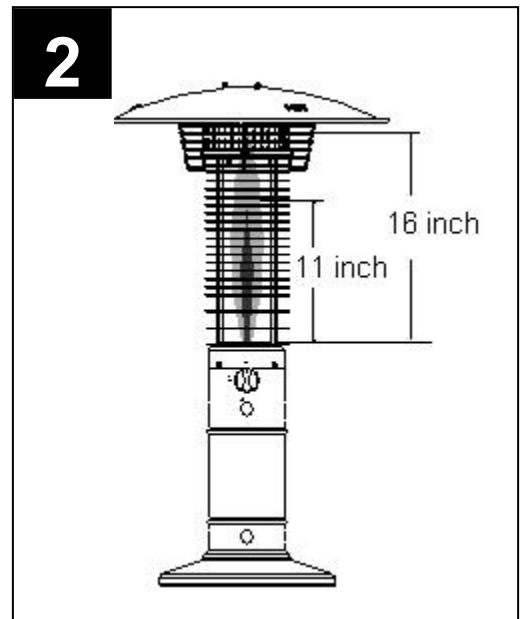
Note: For your safety, control knob cannot be turned on without first depressing control knob in off position and then rotating to on.

1. Turn gas control knob to off.
2. Wait at least 5 minutes to let gas dissipate before attempting to re-light burner.
3. Repeat "Lighting" steps 2 and 3.

When heater is "ON":

Burner will display **slight blue flame at the bottom and strong yellow at the entire top, the color is more visible at night.**

If only yellow flame is detected, turn off heater and gas supply and refer to TROUBLESHOOTING on page 14. Visually check burner flames at each use and make sure flame height matches illustration.



Turning Off

1. Rotate gas control knob to "OFF" position. Note: Burner will likely make a slight popping sound when extinguished.
2. Disconnect LP-gas tank after use.
Rotate LP-gas tank to horizontal position, unscrew it counterclockwise until it is loose.
Store the LP-gas tank in a proper location.
3. Close door on housing assembly.

Note: After use, some discoloration of the emitter screen is normal.

CARE AND MAINTENANCE

- Abrasive cleaners will damage this product.
 - Never use oven cleaner to clean any part of heater
 - Do not clean any heater part in a self-cleaning oven. The extreme heat will damage the finish.
 - More frequent cleaning may be required as necessary. It is imperative that control compartment, burners and circulating air passageways of the heater be kept clean.
 - Spiders and insects can create a dangerous condition that may damage heater or make it unsafe. Keep burner area clean of all spiders, webs or insects. Clean burner holes by using a heavy-duty pipe cleaner. Compressed air may help clear away smaller particles.
 - Inspect heater before each use.
 - Have heater inspected annually and repairs should be made by a qualified service person
 - Check heater immediately if any of the following conditions exist:
 - a. The smell of gas in conjunction with extreme yellow tipping of burner flames
 - b. Heater does not reach proper temperature.
 - c. Heater's glow is excessively uneven.
 - d. Burner makes popping noises during use.
- Note: A slight pop is normal when burner is extinguished.
- Carbon deposits may create a fire hazard. Keep dome and emitter clean at all times.
 - Do not clean heater with combustible or corrosive cleaners. Use warm, soapy water.
 - Do not paint engine, engine access panel or dome.
 - This heater should be thoroughly cleaned on a regular basis.
 - After a period of storage and/or nonuse, check for leaks, burner obstructions and inspect for any abrasion, wear, cuts to the hose.
 - Some 1-lb. cylinders may form frost when near empty, which is normal and not a defect.
 - Periodically check the hose located within the confines of the cylinder housing for damage.

Cleaning

1. Wipe surfaces clean with mild dish detergent or baking soda.
2. For stubborn surfaces use a citrus-based degreaser and a nylon scrubbing brush.
3. Rinse clean with water.
4. Use high-quality automobile wax to help maintain the appearance of the heater. Apply to exterior surfaces from the pole down. Do not apply to emitter screen or domes.

Note: While cleaning your unit, be sure to keep the area around the burner dry at all times. Do not submerge the control valve assembly. If the gas control is submerged in water, do NOT use it. It must be replaced.

Maintenance

Make sure you perform the following maintenance activities on a regular basis:

- Keep exterior surfaces clean.
- Air flow must be unobstructed. Keep controls, burner and circulating air passageways clean.

Signs of possible blockage include:

Gas odor with extreme yellow tipping of flame.

Heater does NOT reach the desired temperature.

Heater glow is excessively uneven.

Heater makes popping noises.

Note: In a salt-air environment (such as near an ocean) corrosion occurs more quickly than normal. Frequently check for corroded areas and repair them promptly.

CARE AND MAINTENANCE

Storage

Between uses or during periods of extended inactivity:

1. Turn Control Knob OFF.
2. Disconnect LP cylinder and move to a secure, well-ventilated location outdoors.
3. Store heater upright in an area sheltered from direct contact with inclement weather (such as rain, sleet, hail, snow, dust and debris). **Note:** Never leave LP-gas tank exposed to direct sunlight or excessive heat.
4. If desired, use the cover (L) to protect the heater and help prevent buildup in air passages.
CAUTION: Wait until heater is cool before covering.

TROUBLESHOOTING

PROBLEM	POSSIBLE CAUSE	CORRECTIVE ACTION
Burner doesn't stay lit.	1. Thermocouple and tilt switch breakdown.	<ol style="list-style-type: none"> 1. Repeat depressing and rotating the knob, hold control knob in for at least 30 seconds and release. 2. If the burner doesn't stay lit yet, contact customer service at 1 - 800 - 643 - 0067, 8 a.m. - 8 p.m., EST, Monday - Friday.
Burner doesn't light. Note: Heater operates at reduced efficiency below 40°F.	<ol style="list-style-type: none"> 1. Gas pressure is low. 2. Blockage in orifice and gas line. 3. Blockage in venturi tube. 4. Distance between the igniter pin and thermocouple is improper. 5. No sparks appear when lighting. 	<ol style="list-style-type: none"> 1. Turn control knob to "OFF" position and replace cylinder. 2. Clear blockage. 3. Clean venturi tube. 4. Adjust the distance between igniter pin and thermocouple to 0.12 ~ 0.2 inch. 5. Check whether igniter wires connect to the igniter properly.
Burner flame is low.	<ol style="list-style-type: none"> 1. Outdoor temperature is less than 40°F and cylinder is less than 1/4 full. 2. Control knob is not fully "ON" or there is a blockage. 	<ol style="list-style-type: none"> 1. Turn control knob to "OFF" position and replace a full cylinder. 2. Check control knob setting and check burner and orifices for blockage.
Carbon buildup.	1. Dirt or film on reflector and emitter.	1. Clean reflector and emitter.

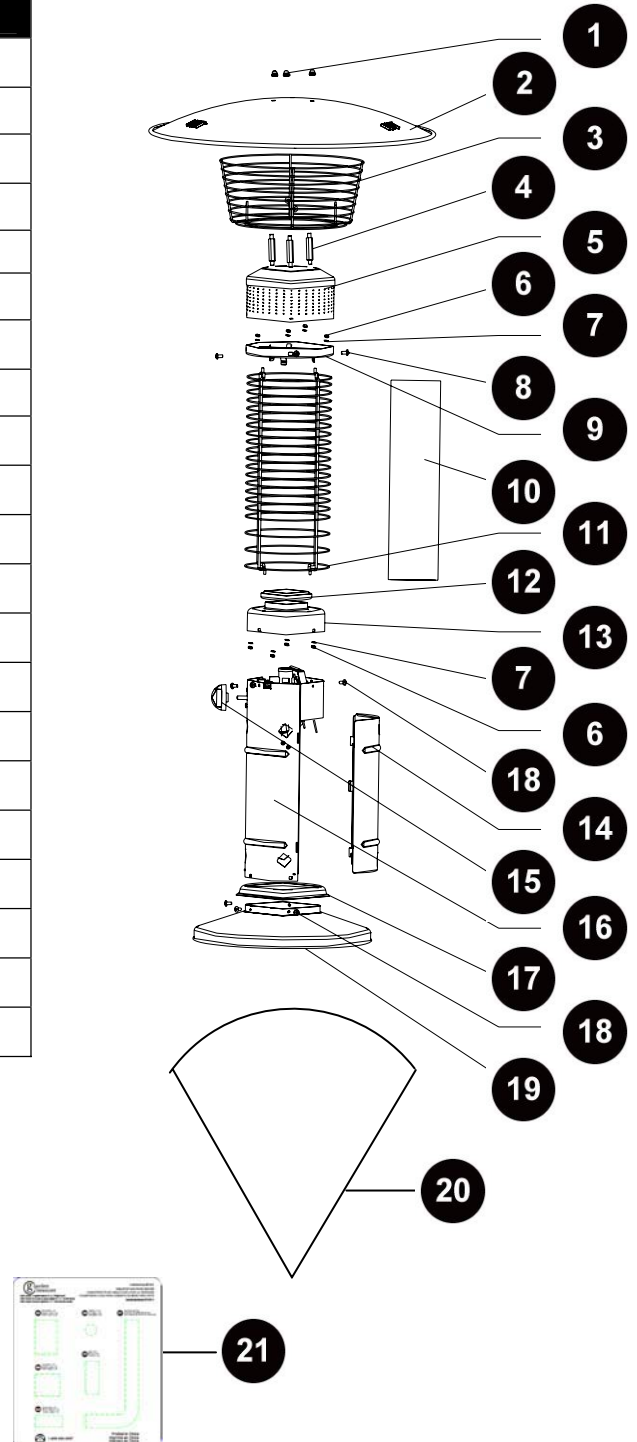
WARRANTY

The appliance has been manufactured under the highest standards of quality and workmanship. We warrant to the original consumer/purchaser that all aspects of this product will be free of defects in material and workmanship for one (1) year from the date of purchase. A replacement for any defective part will be supplied free of charge for installation by the consumer. Defects or damage caused by the use of other than genuine parts are not covered by this warranty. The warranty shall be effective from the date of purchase as shown in the purchaser's receipt. This warranty is valid for the original consumer purchaser only and excludes industrial, commercial or business use of the product, product damage due to shipment or failure which results from alteration, product abuse or product misuse, where performed by a container, service company or consumer. We will not be responsible for labor charges and/or damage incurred in installation, repair or replacement, nor for incidental or consequential damage. This warranty gives you specific legal rights, and you may also have the other rights that vary from state to state.

REPLACEMENT PARTS LIST

For replacement parts, call our customer service department at 1-800-643-0067, 8 a.m. - 8 p.m., EST, Monday - Friday.

PART	DESCRIPTION	PART #
1	Acorn Nut	2000452
2	Reflector	5203222
3	Top Wire Guard	2406515
4	Stud	2406514
5	Emitter Assembly	5203223
6	Nut	2000396
7	Washer	2000399
8	Long Bolt	2001225
9	Glass Cap	5203237
10	Glass Tube	2406517
11	Wire Guard Assembly	2406516
12	Black Silicone Ring	2406518
13	Shroud Cover	5203226
14	Door	5203232
15	Knob	2103005
16	Housing Assembly	0574422-16
17	Plastic Ring	2100061
18	Short Bolt	2405325
19	Base	0574422-19
20	Cover	3106159
21	Hardware Pack	5203266



Printed in China

Garden Treasures® is a registered trademark of LF, LLC. All Rights Reserved.