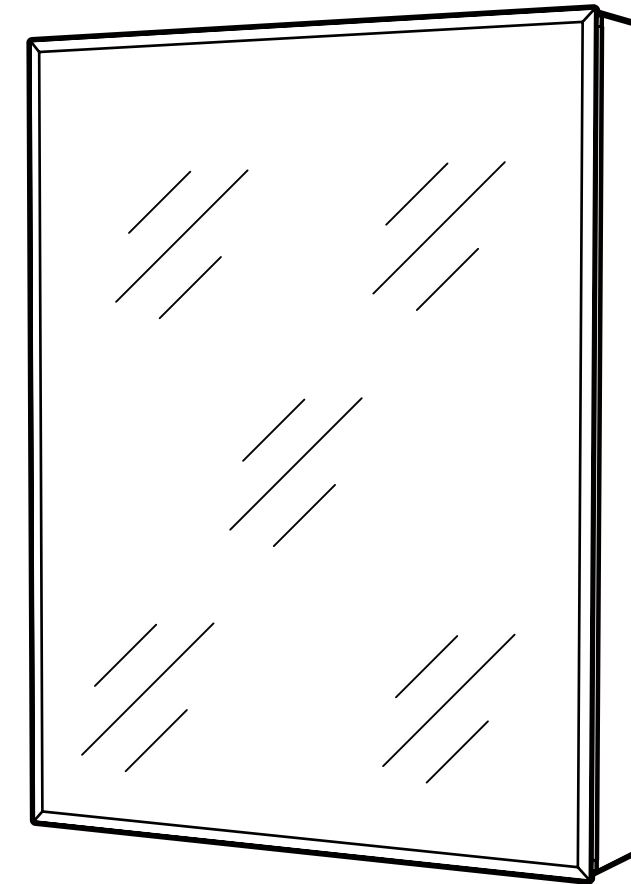


NOTE: Start Canadian French section here,
followed by Latin American Spanish.

allen + roth®

welcoming • sophisticated • inspiring



allen + roth® is a registered trademark
of LF, LLC. All Rights Reserved.

ITEM #0760321

MEDICINE CABINET

MODEL #SP4972

ATTACH YOUR RECEIPT HERE

Serial Number _____ Purchase Date _____

Français p. 11

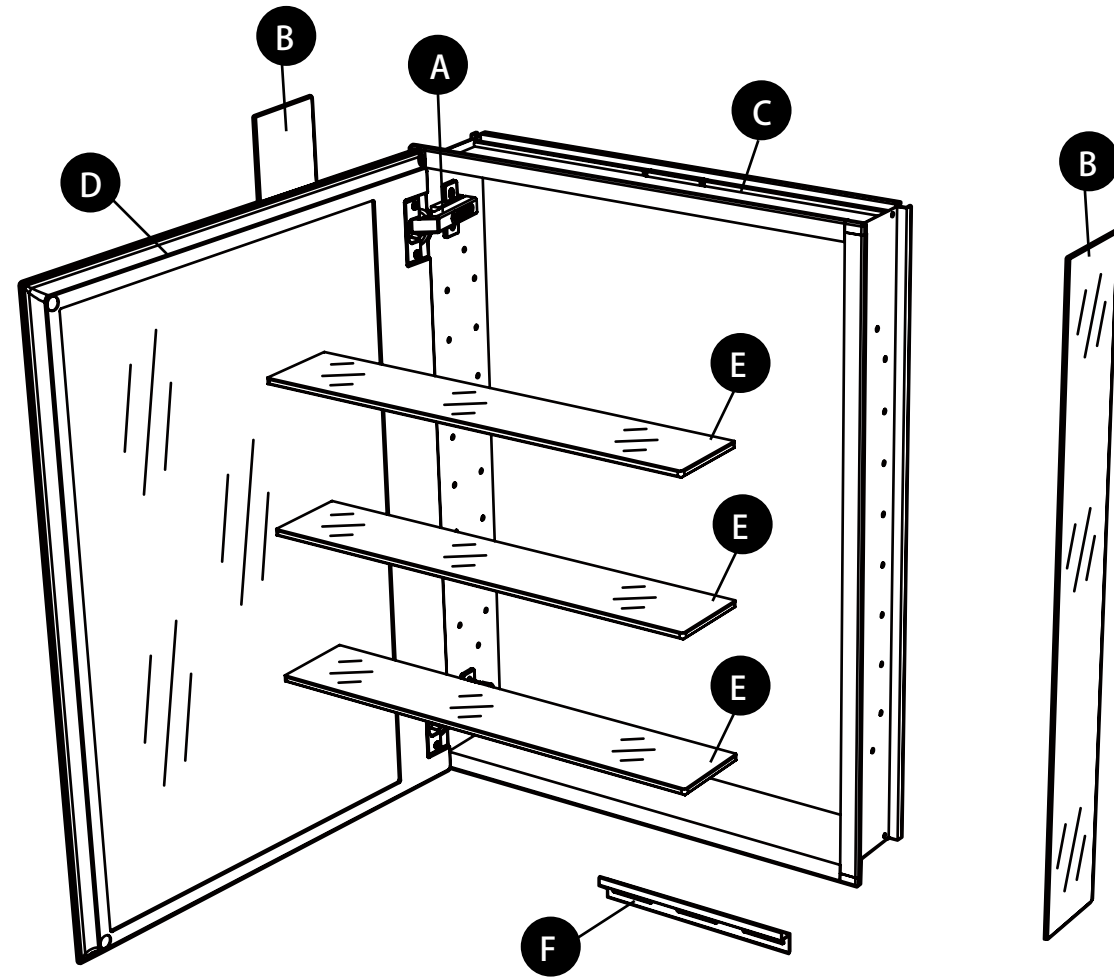
Español p. 21

Questions, problems, missing parts? Before returning to your retailer, call our customer service department at 1-866-439-9800, 8 a.m. - 8 p.m., EST, Monday - Friday.

XXXXXX

Lowes.com/allenandroth allen + roth

PACKAGE CONTENTS



PART	DESCRIPTION	QUANTITY
A	Hinge (preassembled to Cabinet (C))	2
B	Side Mirror	2
C	Cabinet	1
D	Door (preassembled to Cabinet (C))	1
E	Shelf Glass	3
F	Bottom Bracket	1

HARDWARE CONTENTS

 AA Short Screw Qty. 4	 BB Shelf Clip Qty. 12	 CC Shelf Hole Plug Qty. 20	 DD Snap Cap Qty. 4	 EE Washer Qty. 4
 FF Bumper Qty. 2	 GG Long Screw Qty. 4	 HH Wall Anchor Qty. 4	 II Top Clip Qty. 2	
 JJ Side Mirror Bracket Qty. 4				

SAFETY INFORMATION

Please read and understand this entire manual before attempting to assemble or install the product.

WARNING

- Safety discard all packing material.
- Keep plastic bags and small parts away from children.
- Safety glasses should be worn at all times.
- Do not load this cabinet with more than 50 lbs.
- Do not load each shelf with more than 25 lbs.

CAUTION

- The included plastic wall anchors are intended for use with solid wall applications only (tile or concrete).
- For recess mount, do not install side mirrors and brackets.

PREPARATION

Before beginning assembly of product, make sure all parts are present. Compare parts with package contents list and hardware contents list. If any part is missing or damaged, do not attempt to assemble the product.

Estimated Assembly Time: 30 minutes (with recommended two-person installation).

Tools Required for Assembly (not included): Measuring tape, Level, Phillips screwdriver, Stud finder, Reciprocating saw and Wood shims.

This product can be installed in one of two mounting options: **SURFACE MOUNT** (continue to page 5) or **RECESS MOUNT** (skip to page 8).

SURFACE-MOUNT INSTALLATION INSTRUCTIONS

1a. **For drywall installations:** Install bottom bracket (F) a minimum of 3 inches above your existing faucet/vanity by inserting two long screws (GG) through bottom bracket (F) and directly into wall studs. **Note:** Ensure the marks are level before proceeding.

Hardware Used

GG Long Screw  x 2

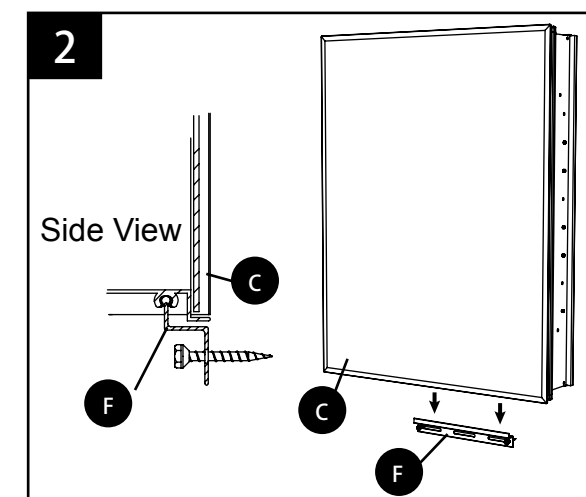
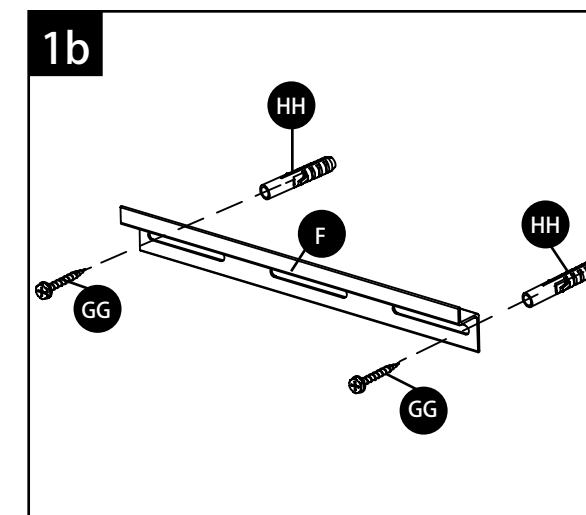
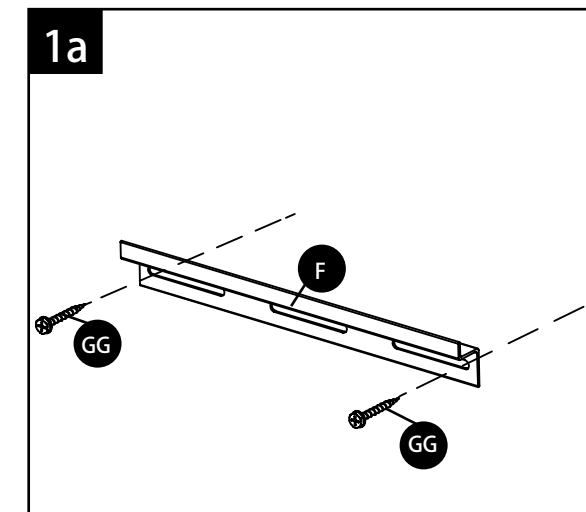
1b. **For solid wall installations:** Using bottom bracket (F) as a guide, mark screw locations with a pencil (not included) a minimum of 3 inches above your existing faucet/vanity. Use a 5/16-in. drill bit (not included) and drill a pilot hole at marked locations. Insert wall anchors (HH) into holes, then insert long screws (GG) through bottom bracket (F) and into wall anchors (HH).

Hardware Used

GG Long Screw  x 2

HH Wall Anchor  x 2

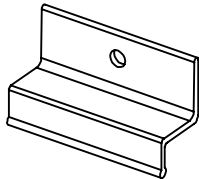
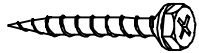
2. Carefully position the cabinet (C) onto the bottom bracket (F) and hold in place.



SURFACE-MOUNT INSTALLATION INSTRUCTIONS

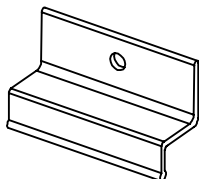
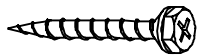

3a. **For drywall installations:** With the assistance of another person, install the top clips (II) by inserting the rounded ends into the rear top slot of cabinet (C). Slide one top clip (II) to the left and one to the right, then secure using long screws (GG) through the top clips (II) and directly into the wall studs.

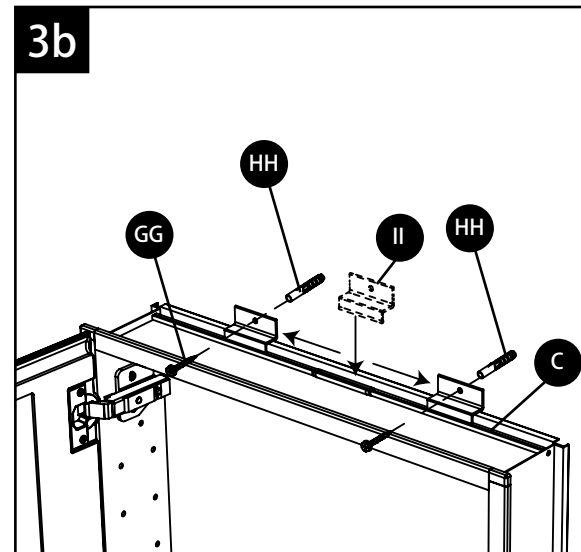
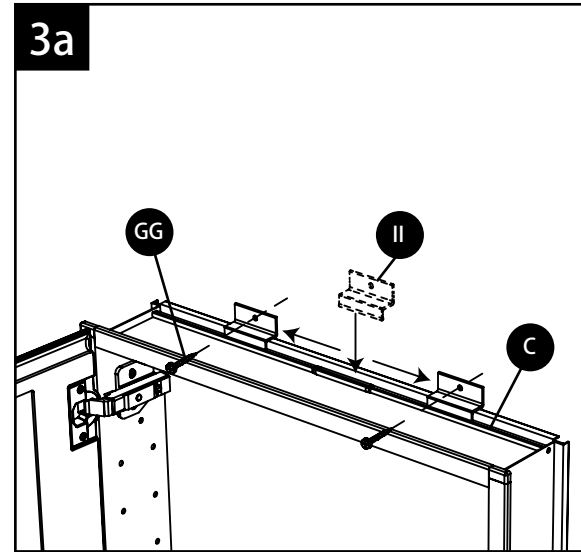
Hardware Used

II	Top Clip		x 2
GG	Long Screw		x 2

3b. **For solid wall installations:** With the assistance of another person, install the top clips (II) by inserting the rounded ends into the rear top slot of cabinet (C). Slide one top clip (II) to the left and one to the right, then mark locations with a pencil. Temporarily move top clips (II) out of position, then use a 5/16-in. drill bit (not included) and drill a pilot hole at marked locations. Move top clips (II) back into position and insert wall anchors (HH) into holes, then insert long screws (GG) through top clip (II) and into wall anchors (HH).

Hardware Used

II	Top Clip		x 2
GG	Long Screw		x 2
HH	Wall Anchor		x 2



SURFACE-MOUNT INSTALLATION INSTRUCTIONS

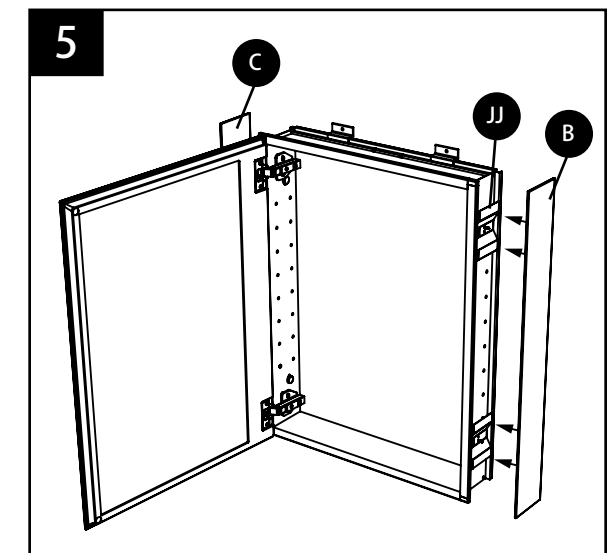
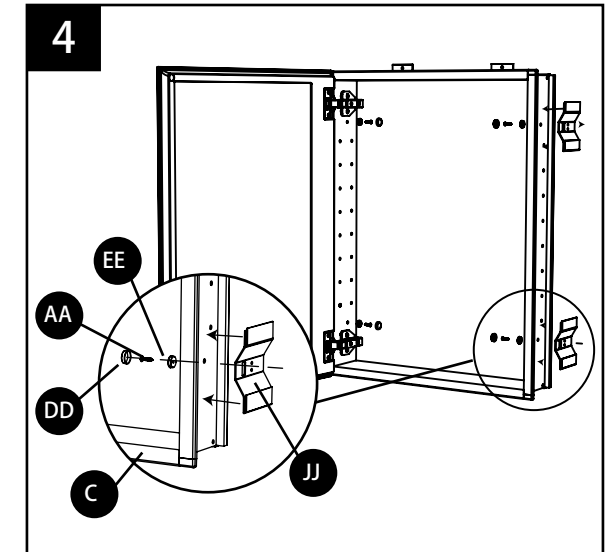
4. Attach side mirror brackets (JJ) to cabinet (C) where shown (on both sides) with short screws (AA) and washers (EE), then snap caps (DD) to cover the screw heads.

Hardware Used

AA	Short Screw		x 4
DD	Snap Cap		x 4
EE	Washer		x 4
JJ	Side Mirror Bracket		x 4

5. Remove the paper from the preassembled adhesive tape on each side mirror bracket (JJ), then carefully attach side mirrors (B) to each side of cabinet (C).

Proceed to **ASSEMBLY INSTRUCTIONS** on page 9 to complete assembly.



RECESS-MOUNT INSTALLATION INSTRUCTIONS

CAUTION: This installation type is NOT applicable for solid-wall applications.

1. Determine desired location for cabinet (C), making sure to place it where the door can swing freely without obstruction and where no electrical or plumbing obstacles would be behind the wall. **Note:** The height of the cabinet (C) should be a minimum of 3 in. above the faucet/vanity.

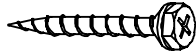


Using a reciprocating saw (not included), cut away a rough opening of 19-1/2 in. x 25-1/2 in. x 3-7/8 in. into the drywall.

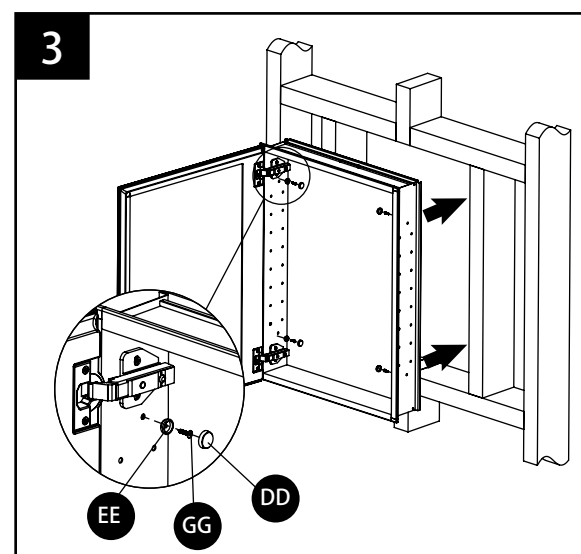
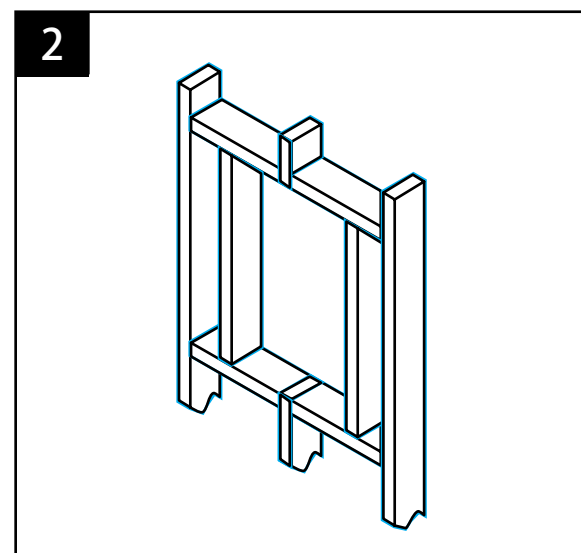
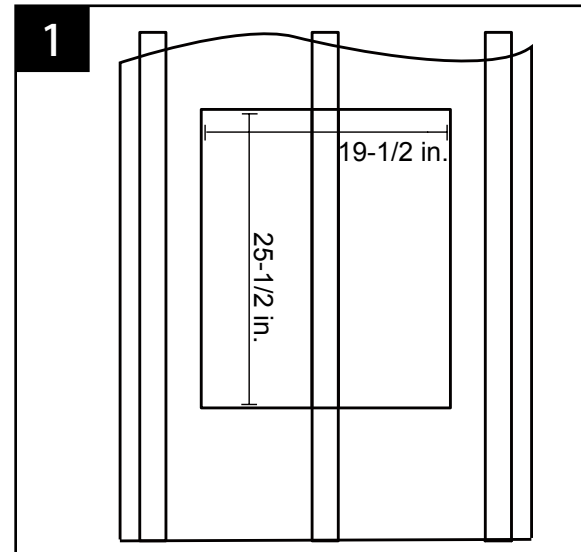
2. Mark the opening size of the framing. Once the drywall is cut, remove any framing in the rough opening for the item, then frame the cutout opening as illustrated.

3. Insert cabinet (C) into rough opening and make sure it is level and plumb; use wood shims (not included) as required. Then, secure both sides of cabinet (C) to the studs from the inside using long screws (GG) and washers (EE). Cover screw heads with snap caps (DD).

Proceed to **ASSEMBLY INSTRUCTIONS** on page 9 to complete assembly.

Hardware Used

GG	Long Screw		x 4
DD	Snap Cap		x 4
EE	Washer		x 4



ASSEMBLY INSTRUCTIONS

Note: These steps are applicable to both surface-mount installations and recess-mount installations.


1. Install the glass shelves (E) to the desired positions with shelf clips (BB), making sure they are level.

Hardware Used

BB	Shelf Clip		x 12
-----------	------------	---	------

2. Use the shelf hole plugs (CC) to seal the empty holes.

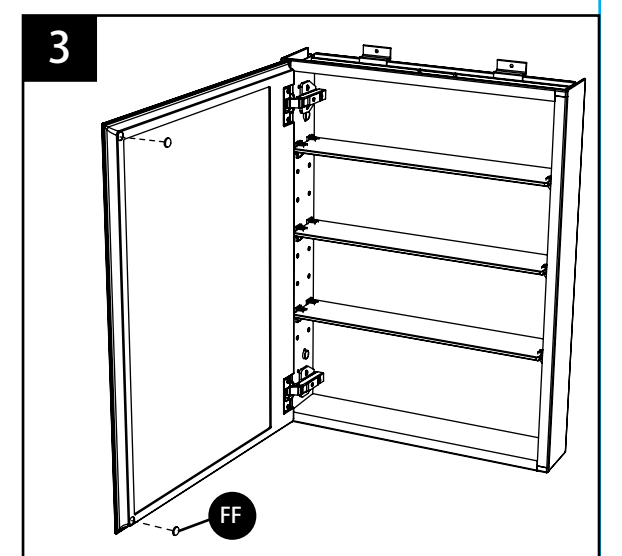
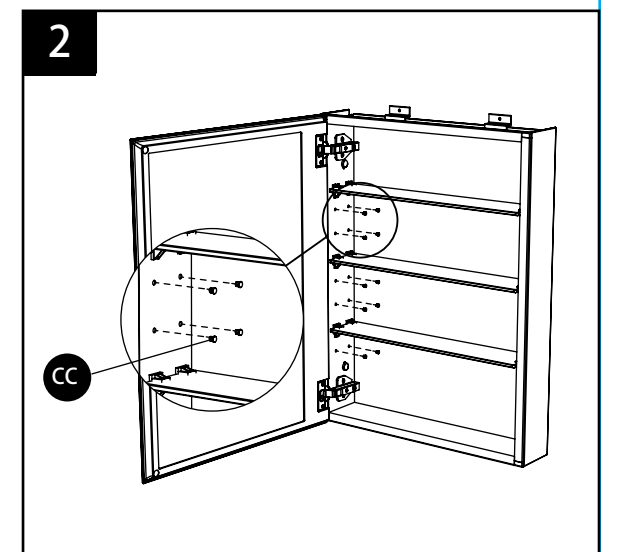
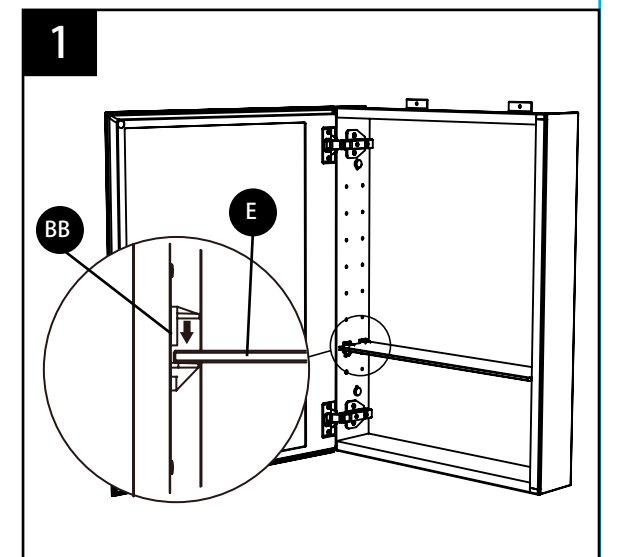
Hardware Used

CC	Shelf Hole Plug		x 20
-----------	-----------------	---	------

3. Stick the bumpers (FF) at the two corners of the door (D) opposite the door hinges (A).

Hardware Used

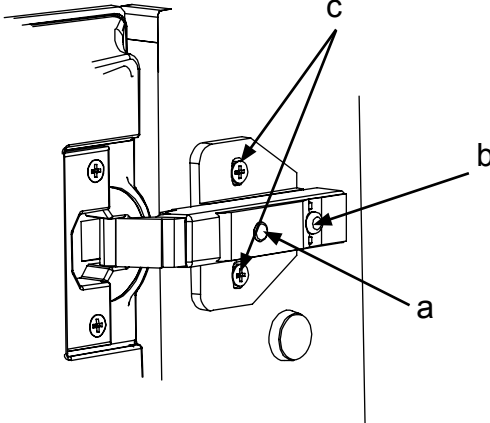
FF	Bumper		x 2
-----------	--------	---	-----



CARE AND MAINTENANCE

- Use a household liquid glass cleaner to keep the mirror and glass surfaces clean.
- Do not use abrasive cleaners containing ammonia.

TROUBLESHOOTING

PROBLEM	POSSIBLE CAUSE	CORRECTIVE ACTION
The doors are not aligned.	The hinges are misaligned.	To adjust the doors right or left, loosen/tighten the screw as in (a). To adjust the doors in or out, loosen/tighten the screw as in (b). To adjust the doors up or down, loosen/tighten the screws as in (c). 

WARRANTY

This item is warranted to be free of defects in material and workmanship for one year from date of installation. This warranty is offered only to the original consumer purchaser and may not be transferred. This warranty gives you specific legal rights, and you may also have other rights that vary from state to state. This warranty does not cover defects or damage caused by normal wear and tear, alterations, environmental conditions, humidity absorption, or mold. This warranty is considered void if the product fails from accident, misuse, or modified, improper installation or by affixing accessories not produced by the manufacturer. Some states do not allow the exclusion or limitation of incidental or consequential damages, so the above limitation or exclusion may not apply to you. If you would like to make a warranty claim, please contact customer service. All warranty claims must include the model number of the product, copy of the original receipt and the nature of the problem. THE MANUFACTURER DISCLAIMS ANY IMPLIED WARRANTY INCLUDING, WITHOUT LIMITATION, ANY IMPLIED WARRANTY OF MERCHANTABILITY, AND THERE ARE NO WARRANTIES THAT EXTEND BEYOND THE DESCRIPTIONS ON THE FACE HEREOF. TO THE EXTENT THAT SUCH DISCLAIMER IS NOT VALID UNDER APPLICABLE LAW, ANY IMPLIED WARRANTY SHALL BE COEXTENSIVE IN DURATION WITH THIS WARRANTY.

Printed in China

allen + roth® is a registered trademark of LF, LLC. All Rights Reserved.

Lowes.com/allenandroth **allen + roth**

Canadian French section here