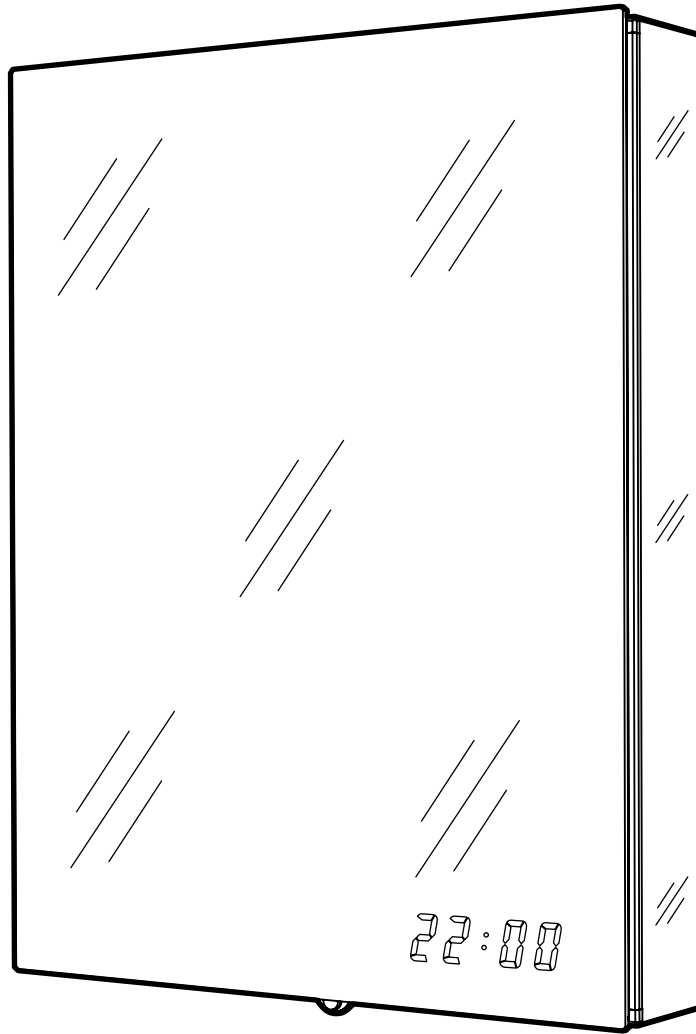


allen + roth®

welcoming • sophisticated • inspiring



allen + roth® is a registered trademark of LF, LLC. All Rights Reserved.

ITEM #0760300

# MEDICINE CABINET

MODEL #SP5172

ATTACH YOUR RECEIPT HERE

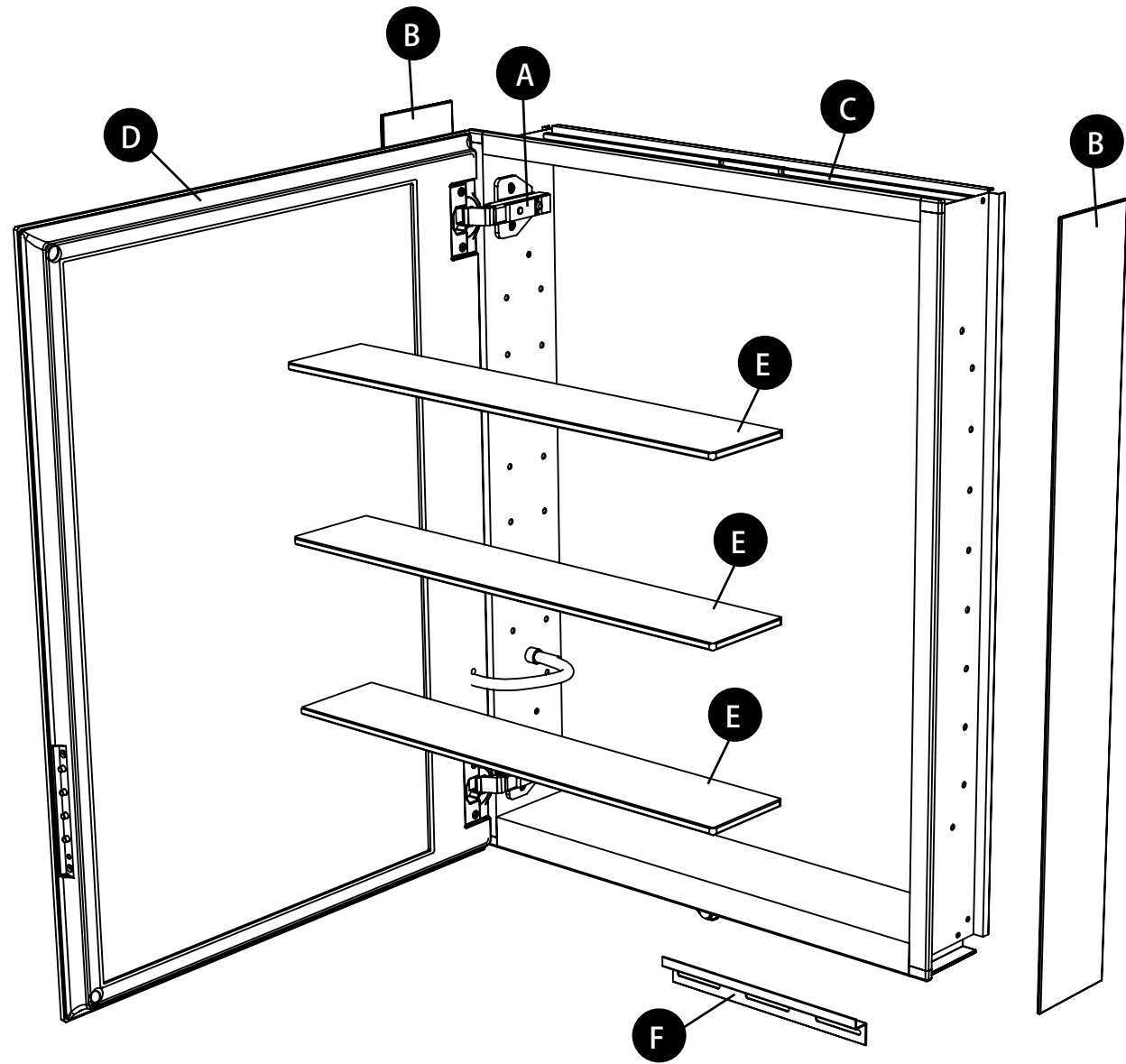
Français p. 12

Serial Number \_\_\_\_\_ Purchase Date \_\_\_\_\_

Español p. 23

**Questions, problems, missing parts?** Before returning to your retailer, call our customer service department at 1-866-439-9800, 8 a.m. - 8 p.m., EST, Monday - Friday.

**PACKAGE CONTENTS**



| PART | DESCRIPTION                         | QUANTITY |
|------|-------------------------------------|----------|
| A    | Hinge (preassembled to Cabinet (C)) | 2        |
| B    | Side Mirror                         | 2        |
| C    | Cabinet                             | 1        |
| D    | Door (preassembled to Cabinet (C))  | 1        |
| E    | Shelf Glass                         | 3        |
| F    | Bottom Bracket                      | 1        |

**HARDWARE CONTENTS**

|  |  |   |                                     |                                   |
|--|--|---|-------------------------------------|-----------------------------------|
| <br><b>AA</b><br>Short Screw<br>Qty. 4         | <br><b>BB</b><br>Shelf Clip<br>Qty. 12 | <br><b>CC</b><br>Shelf Hole Plug<br>Qty. 20 | <br><b>DD</b><br>Snap Cap<br>Qty. 4 | <br><b>EE</b><br>Washer<br>Qty. 4 |
| <br><b>FF</b><br>Bumper<br>Qty. 2              | <br><b>GG</b><br>Long Screw<br>Qty. 4  | <br><b>HH</b><br>Wall Anchor<br>Qty. 4      | <br><b>II</b><br>Top Clip<br>Qty. 2 |                                   |
| <br><b>JJ</b><br>Side Mirror Bracket<br>Qty. 4 |  | <br><b>KK</b><br>Adapter<br>Qty. 1          |                                     |                                   |

## SAFETY INFORMATION

- Please read and understand this entire manual before attempting to assemble or install the product.
- This equipment has been tested and found to comply with limits for class B digital device, pursuant to part 15 of the FCC rules.
- This class B digital apparatus complies with Canadian ICES-003.
- Power Supply: UL & cUL AC/DC Adapter
- Input: 120V AC 60HZ
- Output: 9VDC / 1A
- Battery Cells: 6 C-type, 9V
- Night Light: 3800K Color Temperature

## WARNING

- Safety discard all packing material.
- Keep plastic bags and small parts away from children.
- Safety glasses should be worn at all times.
- Do not load this cabinet with more than 50 lbs.
- Do not load each shelf with more than 25 lbs.

## CAUTION

- The included plastic wall anchors are intended for use with solid wall applications only (tile or concrete).
- Do not mix old and new batteries.
- Do not mix alkaline, standard (carbon), or rechargeable (NiCd, NiMH, etc.) batteries.

## PREPARATION

Before beginning assembly of product, make sure all parts are present. Compare parts with package contents list and hardware contents list. If any part is missing or damaged, do not attempt to assemble the product.

**Estimated Assembly Time: 30 minutes (with recommended two-person installation).**

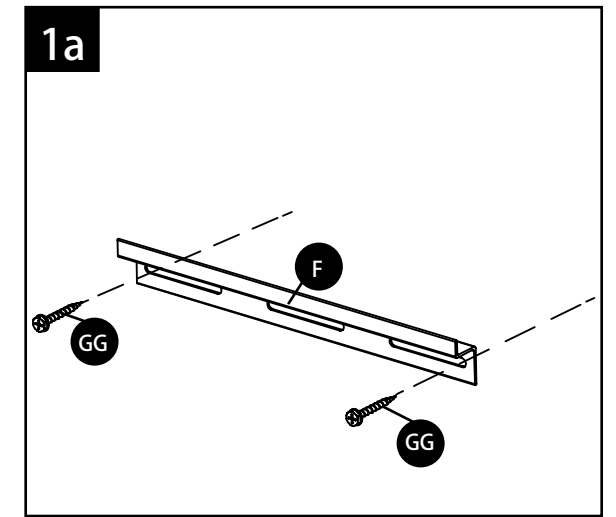
Tools Required for Assembly (not included): Measuring tape, Level, Phillips screwdriver, Stud finder.

## ASSEMBLY INSTRUCTIONS

1a. **For drywall installations:** Install bottom bracket (F) a minimum of 3 inches above your existing faucet/vanity by inserting two long screws (GG) through bottom bracket (F) and directly into wall studs. **Note:** Ensure the marks are level before proceeding.

### Hardware Used


**GG** Long Screw  x 2

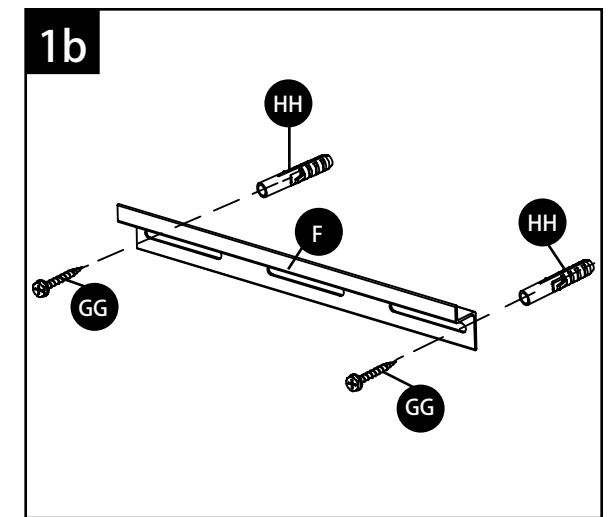


1b. **For solid wall installations:** Using bottom bracket (F) as a guide, mark screw locations with a pencil (not included) a minimum of 3 inches above your existing faucet/vanity. Use a 5/16-in. drill bit (not included) and drill a pilot hole at marked locations. Insert wall anchors (HH) into holes, then insert long screws (GG) through bottom bracket (F) and into wall anchors (HH).

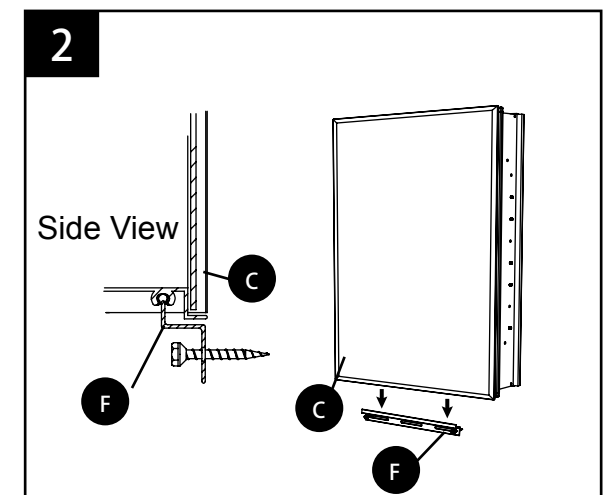
### Hardware Used

**GG** Long Screw  x 2

**HH** Wall Anchor  x 2



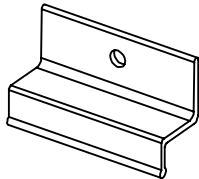
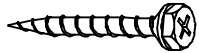
2. Carefully position the cabinet (C) onto the bottom bracket (F) and hold in place.



## ASSEMBLY INSTRUCTIONS

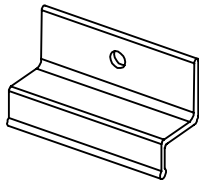
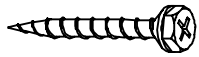

**3a. For drywall installations:** With the assistance of another person, install the top clips (II) by inserting the rounded ends into the rear top slot of cabinet (C). Slide one top clip (II) to the left and one to the right, then secure using long screws (GG) through the top clips (II) and directly into the wall studs.

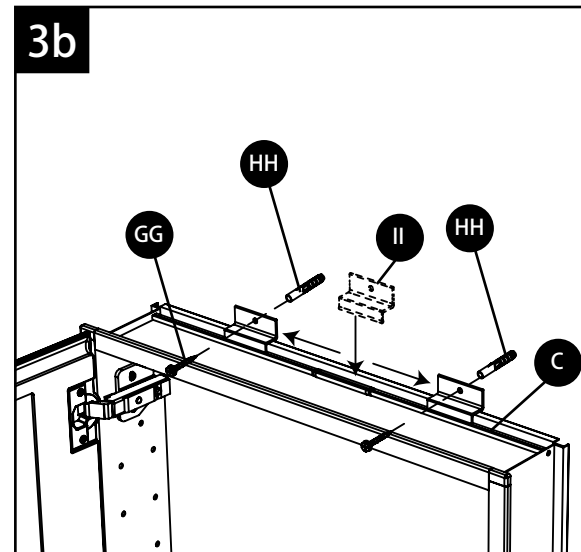
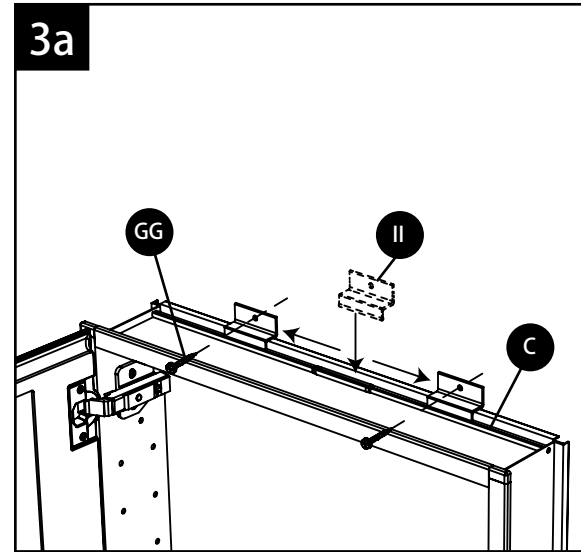
### Hardware Used

|           |            |   |     |
|-----------|------------|---|-----|
| <b>II</b> | Top Clip   |  | x 2 |
| <b>GG</b> | Long Screw |  | x 2 |

**3b. For solid wall installations:** With the assistance of another person, install the top clips (II) by inserting the rounded ends into the rear top slot of cabinet (C). Slide one top clip (II) to the left and one to the right, then mark locations with a pencil. Temporarily move top clips (II) out of position, then use a 5/16-in. drill bit (not included) and drill a pilot hole at marked locations. Move top clips (II) back into position and insert wall anchors (HH) into holes, then insert long screws (GG) through top clip (II) and into wall anchors (HH).

### Hardware Used

|           |             |   |     |
|-----------|-------------|---|-----|
| <b>II</b> | Top Clip    |  | x 2 |
| <b>GG</b> | Long Screw  |  | x 2 |
| <b>HH</b> | Wall Anchor |  | x 2 |



## ASSEMBLY INSTRUCTIONS

**4.** Attach side mirror brackets (JJ) to cabinet (C) where shown (on both sides) with short screws (AA) and washers (EE), then snap caps (DD) to cover the screw heads.

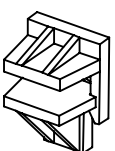
### Hardware Used

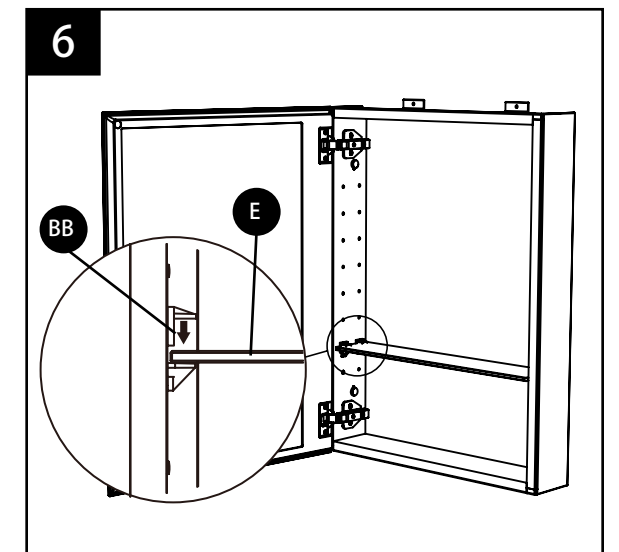
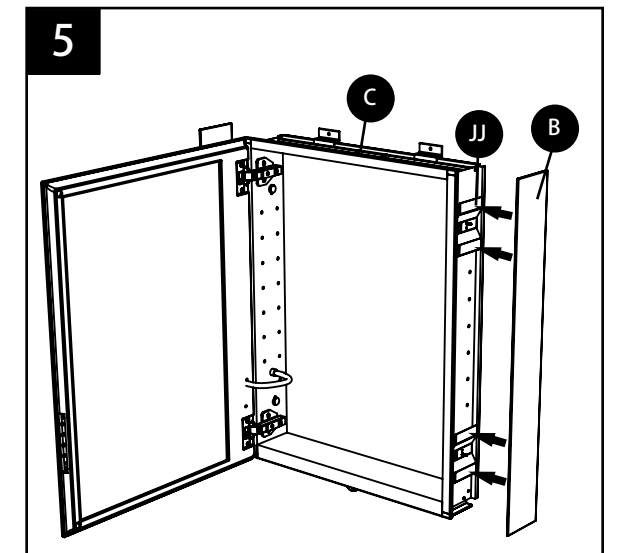
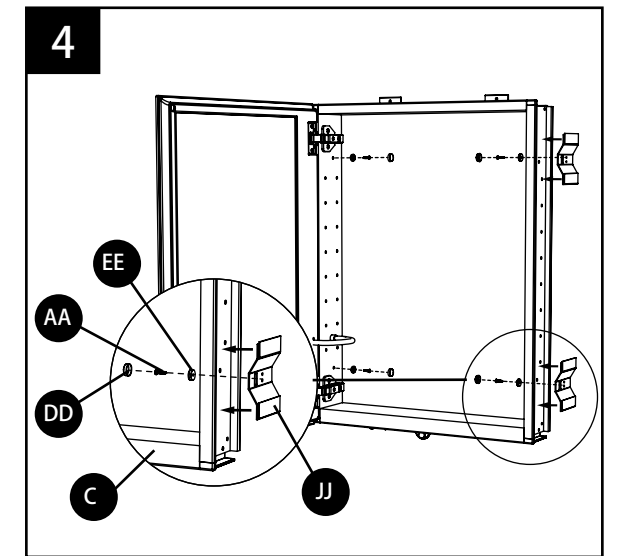
|           |                     |   |     |
|-----------|---------------------|---|-----|
| <b>AA</b> | Short Screw         |  | x 4 |
| <b>DD</b> | Snap Cap            |  | x 4 |
| <b>EE</b> | Washer              |  | x 4 |
| <b>JJ</b> | Side Mirror Bracket |  | x 4 |

**5.** Remove the paper from the preassembled adhesive tape on each side mirror bracket (JJ), then carefully attach side mirrors (B) to each side of cabinet (C).

**6.** Install the glass shelves (E) to the desired positions with shelf clips (BB), making sure they are level.

### Hardware Used


|           |            |   |      |
|-----------|------------|---|------|
| <b>BB</b> | Shelf Clip |  | x 12 |
|-----------|------------|---|------|

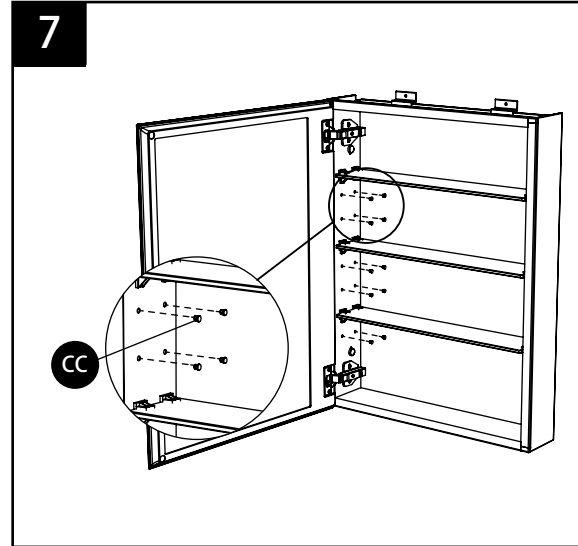


## ASSEMBLY INSTRUCTIONS

7. Use the shelf hole plugs (CC) to seal the empty holes.

### Hardware Used

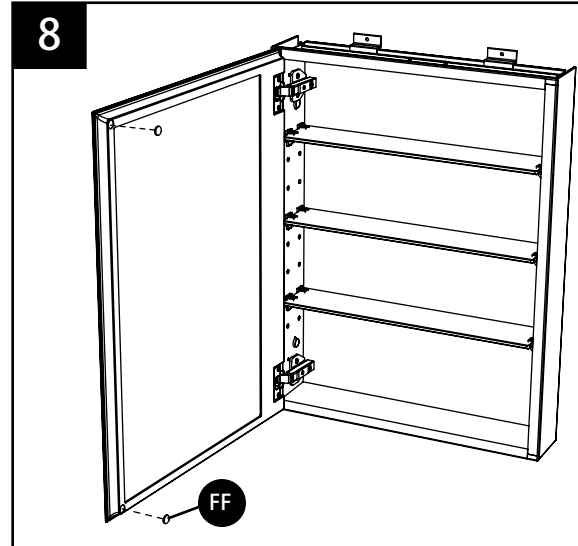
**CC** Shelf Hole Plug  x 20



8. Stick the bumpers (FF) at the two corners of the door (D) opposite the door hinges (A).

### Hardware Used

**FF** Bumper  x 2

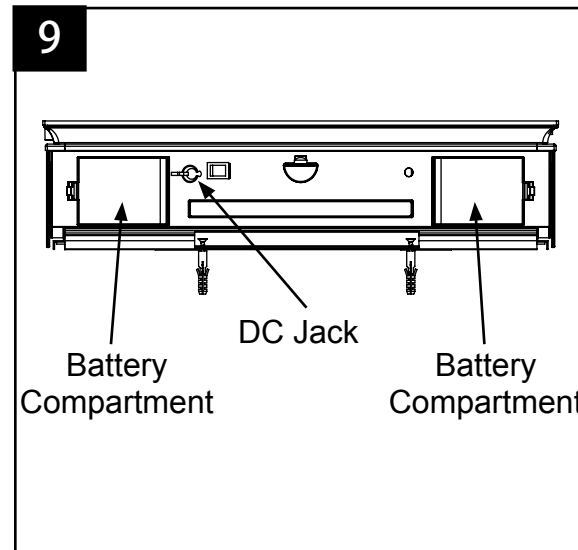


9. To power the item, either insert 3 C batteries (not included) into each battery compartment on the bottom of cabinet (C) or insert the adapter (KK) into the DC jack at the bottom of cabinet (C), plugging the other end into a nearby outlet.

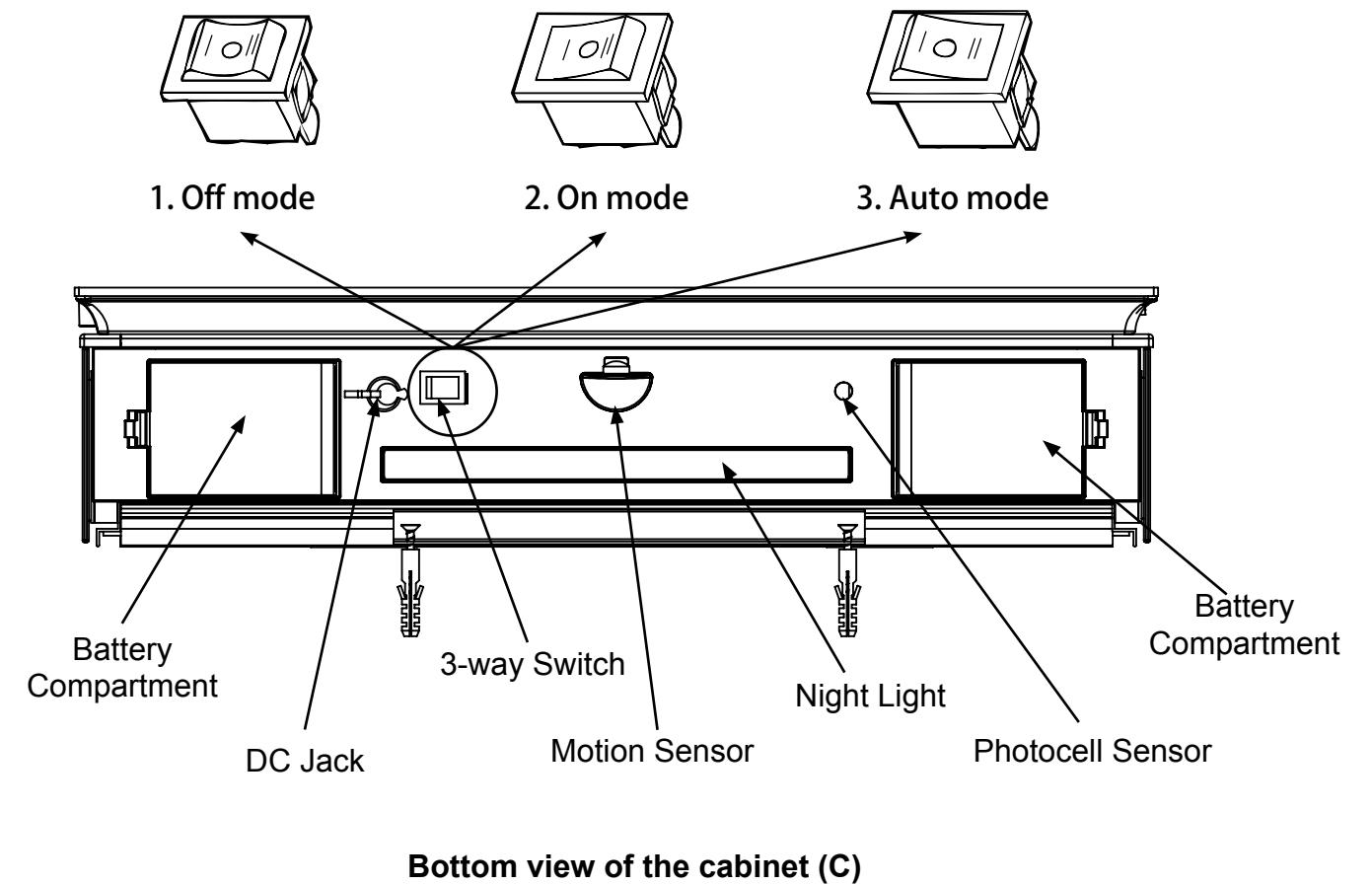
**Note:** When the adapter (KK) is plugged in, power from any installed batteries will be cut immediately.

### Hardware Used

**KK** Adapter  x 1



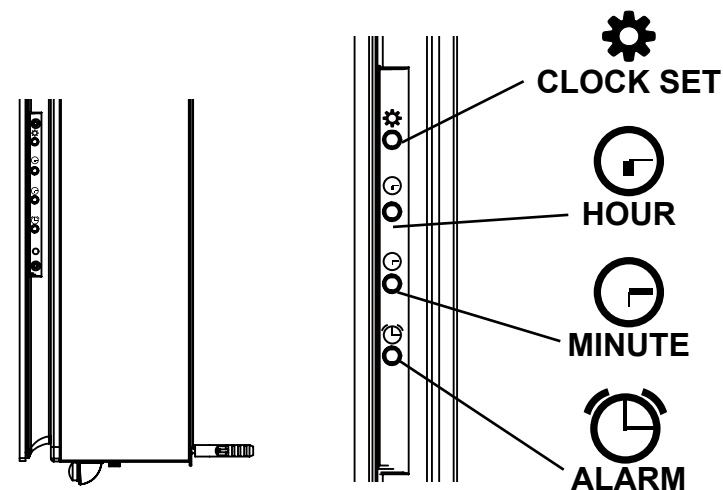
## OPERATING INSTRUCTIONS



### POWER:

1. **Off mode:** Clock and night light will be OFF; clock is still operational, though it can be reset in this mode, too.
2. **On mode:** Clock and night light are both ON.
3. **Auto mode:** The photocell at the bottom of cabinet (C) detects the brightness of the room and displays particular settings based on motion detection.
  - **Daytime:** The night light will be OFF, but the clock will be ON; the clock will turn OFF after 15 seconds of no motion detected.
  - **Nighttime:** The night light and the clock will be ON. The night light will turn OFF after 180 seconds of no motion detected, and the clock will turn OFF after 15 seconds of no motion detected.

## OPERATING INSTRUCTIONS



Side view of the Door (D)

### CLOCK:

To set the clock, hold the CLOCK SET key on the door (D) for 3 seconds; the time will flash to indicate the clock is in setting mode. Simply push the HOUR key and MINUTE key to adjust the time as needed, then press the CLOCK SET key again to exit the setting mode.

**Note:** If power to the item is interrupted (and there are no batteries installed), both the clock and alarm (if applicable) will need reset.

### ALARM:

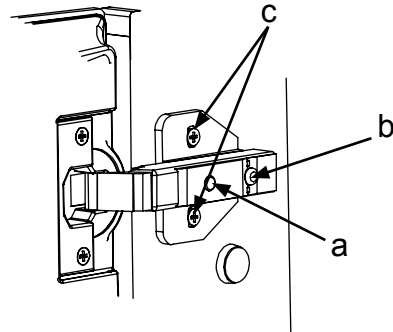
To set the alarm, hold the ALARM key on the door (D) for 3 seconds; the alarm symbol will flash and the item will buzz two times to indicate the alarm is in setting mode. Simply push the HOUR key and MINUTE key to set the desired alarm time, then press the ALARM key again to exit the setting mode.

**Note:** Pushing the ALARM key will activate or cancel the alarm once set. If the alarm is on, the clock will automatically be displayed and the alarm symbol will be lit up; if the alarm is off, the symbol will not appear.

## CARE AND MAINTENANCE

- Use a household liquid glass cleaner to keep the mirror and glass surfaces clean.
- Do not use abrasive cleaners containing ammonia.

## TROUBLESHOOTING

| PROBLEM                     | POSSIBLE CAUSE                                  | CORRECTIVE ACTION   |
|-----------------------------|---|---|
| Night light stops operating | There is no battery in the battery compartment. | Replace the batteries with new ones, and remove the batteries if the lighting system will not be used for a long period of time.  |
| The doors are not aligned.  | The hinges are misaligned.                      | To adjust the doors right or left, loosen/tighten the screw as in (a). To adjust the doors in or out, loosen/tighten the screw as in (b). To adjust the doors up or down, loosen/tighten the screws as in (c).<br> |

## WARRANTY

This item is warranted to be free of defects in material and workmanship for one year from date of installation. This warranty is offered only to the original consumer purchaser and may not be transferred. This warranty gives you specific legal rights, and you may also have other rights that vary from state to state. This warranty does not cover defects or damage caused by normal wear & tear, alterations, environmental conditions, humidity absorption, or mold. This warranty is considered void if the product fails from accident, misuse, or modified, improper installation or by affixing accessories not produced by the manufacturer. Some states do not allow the exclusion or limitation of incidental or consequential damages, so the above limitation or exclusion may not apply to you. If you would like to make a warranty claim, please contact customer service. All warranty claims must include the model number of the product, copy of the original receipt and the nature of the problem. **THE MANUFACTURER DISCLAIMS ANY IMPLIED WARRANTY INCLUDING, WITHOUT LIMITATION, ANY IMPLIED WARRANTY OF MERCHANTABILITY, AND THERE ARE NO WARRANTIES THAT EXTEND BEYOND THE DESCRIPTIONS ON THE FACE HEREOF. TO THE EXTENT THAT SUCH DISCLAIMER IS NOT VALID UNDER APPLICABLE LAW, ANY IMPLIED WARRANTY SHALL BE COEXTENSIVE IN DURATION WITH THIS WARRANTY.**

Printed in China

allen + roth ® is a registered trademark of LF, LLC. All Rights Reserved.