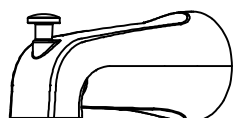
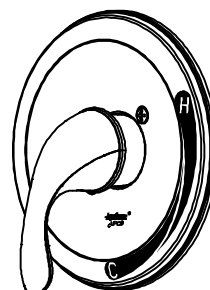
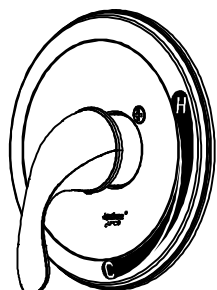
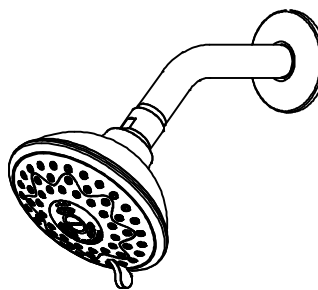
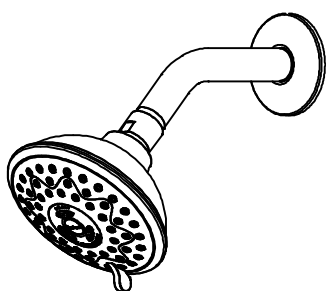




AquaSource® is a registered trademark of LF, LLC. All Rights Reserved.

ITEM #0071412
SINGLE HANDLE TUB & SHOWER FAUCET
MODEL # 873-4604

ITEM #0071441
SINGLE HANDLE SHOWER ONLY FAUCET
MODEL # 873-4704



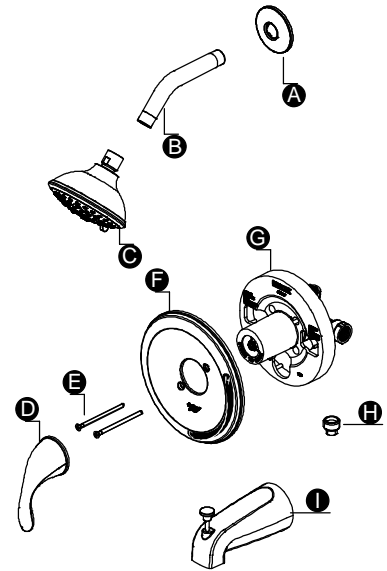
Questions, problems, missing parts?

Before returning to your retailer, call our customer service department at 1-866-417-7564, 8 a.m. - 8 p.m., EST, Monday - Friday.

PACKAGE CONTENTS

Part	Description	Quantity
A	Shower Flange	1
B	Shower Arm	1
C	Shower Head	1
D	Handle	1
E	Screw	2
F	Escutcheon	1
G	Valve Body	1
H	Plug	1
I	Tub Spout *	1

* Not included with shower only faucet.



⚠ WARNINGS AND CAUTIONS

- Follow the installation instructions carefully. Proper installation is the installer's responsibility.
- Failure to follow correct installation procedures can result in the faucet being loose, which can result in serious injury.
- Check local building codes before beginning installation to ensure compliance.

PREPARATION

Before beginning the assembly of product, make sure all parts are present. Compare parts with package content list and diagram above. If any part is missing or damaged, do not attempt to assemble the product. Contact customer service for replacement parts.

Estimated Assembly Time: 180 minutes

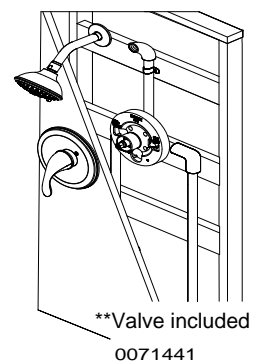
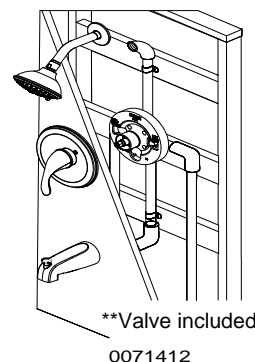
Tools Required for Assembly: Phillips Screwdriver, Plumber's Tape, Adjustable Wrench, Allen Wrench, Hacksaw



Helpful Tools: Adjustable Pliers, Pipe Wrench



***IMPORTANT:** Complete valve replacement** is required for this tub/shower unit. An access hole must be cut with enough room to install the new tub/shower valve inside the wall. Professional installation is recommended.



ASSEMBLY INSTRUCTIONS

1. SHUT OFF WATER SUPPLY.

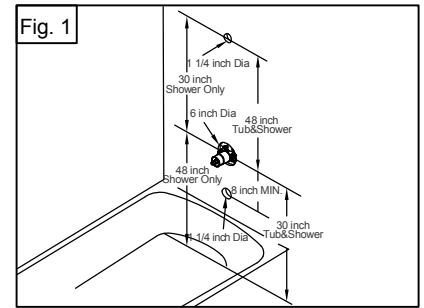
Verify that the hole sizes and positions of holes in the wall are corrected.

Recommended component measurements

A. Shower and / or spout outlet hole: 1-1/4 inch diameter.

B. Valve access hole: 6 inch diameter.

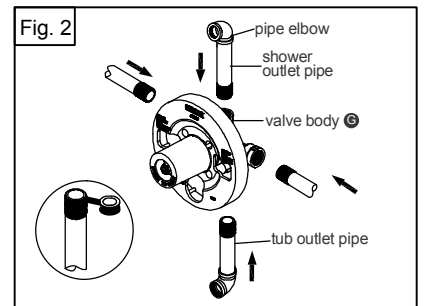
Be sure that the black template plate's surface is flush with the finished exterior surface of the wall. Be sure to position the valve body correctly in wall. "UP" marking up. The 8 inch Minimum from the valve body to the tub spout is required for proper operation.



2. SUPPLY CONNECTION LAYOUT

Wrap plumber's tape around pipe threads in a clockwise direction.

Connect water supplies to left (hot) and right (cold) valve body (G) inlets. Connect shower outlet pipe and tub outlet pipe to valve body. Connect Pipe Elbow (not included) to the end of the pipe.

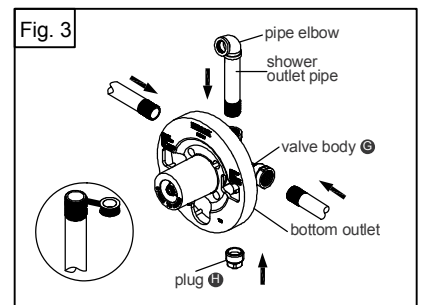


3. SHOWER ONLY SUPPLY CONNECTION LAYOUT

Wrap plumber's tape around pipe threads in a clockwise direction.

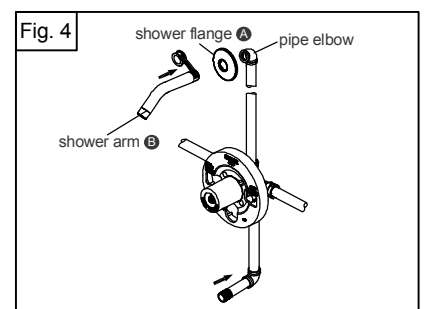
Connect water supplies to left (hot) and right (cold) valve body (G) inlets.

Connect Shower Outlet Pipe to valve body (G). Plug bottom outlet with plug (H). Connect Pipe Elbow (not included) to the end of the pipe.



4. FOR SHOWER ARM INSTALLATION.

Insert the long end of the shower arm (B) through the flange (A) then wrap plumber's tape to both sides of shower arm. Screw long end of the shower arm into pipe elbow inside the wall.



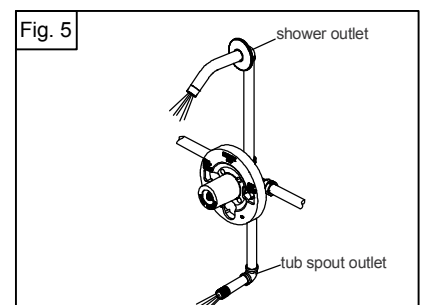
5. FLUSHING

For Tub and Shower Combinations:

Turn on Hot and Cold water supply lines allowing water to flow from tub spout outlet until all foreign matter has cleared the line.

For Shower Only Combinations:

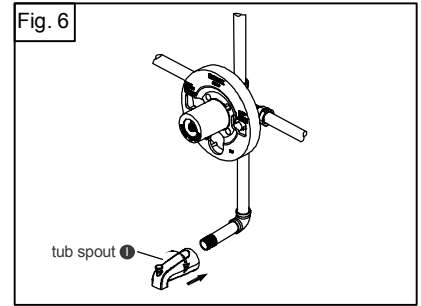
Turn on Hot and Cold water supply lines allowing water to flow from shower outlet until all foreign matter has cleared the line. Pressure must be approximately equal on both Hot and Cold sides for valve to function properly.



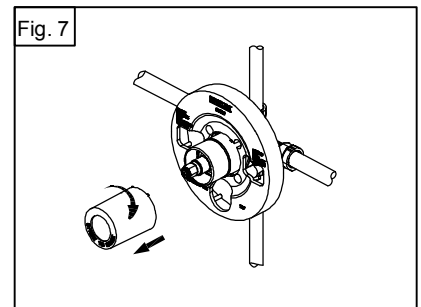
ASSEMBLY INSTRUCTIONS

6. FOR TUB SPOUT INSTALLATION

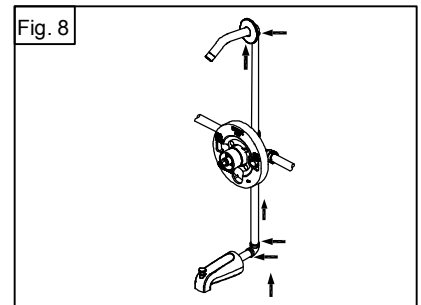
Install tub spout (I). Thread spout onto threaded connection clockwise until the spout becomes flush with the finished wall. Thread sealant may be required depending on your installation method. All thread sealants may be found at your local hardware store.



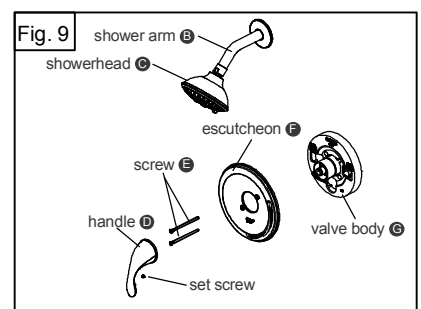
7. Before installing escutcheon (F), remove the plastic cap from plaster guard by twisting cap in a clockwise direction.



8. Place handle on valve stem and turn handle to full on mixed position. Turn on hot and cold water lines to full open for one minute each. Check for leakage. Shut off water at faucet. Remove the handle.



9. Install escutcheon (F) onto valve and then insert screws (E) to attach to valve body (G). Install handle (D) and tighten using allen wrench. Attach showerhead (C) to shower arm (B).

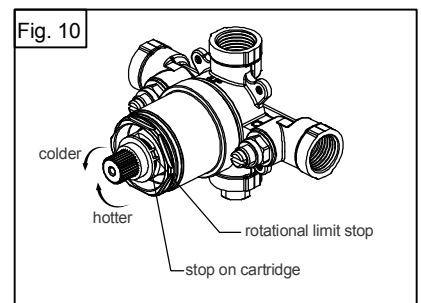


10. ADJUSTING WATER TEMPERATURE

Turn on water so that cold water is as cold as it will get and hot water is as hot as it will get. Remove the Rotational Limit Stop from the valve by sliding it off the stem. Place handle back on stem and rotate fully counterclockwise to the hottest position. Place a thermometer in a plastic tumbler and hold in the water stream. If the water temperature is above 120° F, the Rotational Limit Stop must be rotated counterclockwise to decrease temperature. Reinstall the stop by sliding it back on to the stem before reinstalling the handle.

MAKE SURE COLD WATER FLOWS FROM THE VALVE FIRST.

MAKE SURE WATER (AT THE HOTTEST FLOW) DOES NOT EXCEED THE TEMPERATURE LIMIT ALLOWED BY YOUR PLUMBING CODES (120° F OR 110° F).



CARE AND MAINTENANCE

- **Cleaning:** Clean carefully by gently wiping with a grit-free damp cloth.
Use only mild soap with water.
Never use acids, harsh chemicals or abrasive detergents to clean surface.

TROUBLESHOOTING

Problem	Possible Cause	Corrective Action
Leaks underneath handle	Bonnet has become loose or o-ring on cartridge is dirty or twisted.	Tighten the bonnet. Clean or replace o-ring.
Water will not shut off completely	Rubber valve seat is dirty or broken.	Remove handle and cartridge to check the rubber valve seat. Clean or replace it.

WARRANTY

LIFETIME LIMITED WARRANTY

This faucet has been manufactured under the highest standard of workmanship. All parts of this faucet are warranted to be free from leaks or drips during domestic use for as long as the original purchaser owns this product. **THIS EXCLUDES INDUSTRIAL, COMMERCIAL, OR BUSINESS USE.** The manufacturer will replace **FREE OF CHARGE**, under the warranty conditions the entire unit or any part (at our option) which proves defective in material and/or workmanship under normal installation, use and service. This warranty is limited to defective parts as stated. All costs of removal and installation of the faucet, including the replacement of warranty parts are the responsibility of the purchaser. The manufacturer shall not be liable for incidental, consequential or special damages arising at or in connection with product use or performance except as may otherwise be accorded by law. This warranty gives you specific legal rights, and you may also have other rights which may vary from state to state. Any damage to this faucet as a result of misuse, abuse, neglect, accident, improper installation, or any use violating instructions furnished by us, **WILL VOID THIS WARRANTY.** When requesting warranty service, you will need to present a copy of your sales receipt as proof of purchase. To obtain warranty service, call our customer service department at 1-866-417-7564.

REPLACEMENT PARTS LIST

For replacement parts, call our customer service department at 1-866-417-7564, 8 a.m. - 8 p.m., EST, Monday - Friday.

Part	Description	Part #
A	Shower Flange	RP38046*
B	Shower Arm	RP38054*
C	Shower Head	RP38055*
D	Handle	RP13095*
E	Set Screw	RP50002
F	Screw	RP50070
G	Inverter	RP64043
H	Screw	RP50066*
I	Escutcheon	RP80191*
J	Sleeve	RP80032*
K	O-ring	RP60018
L	Cartridge	RP20006
M	Plug	RP70153
N	Tub Spout	RP33019*
O	Seal Seat	RP70024
P	Seal Washer	RP64133

* Available in Brushed Nickel Finish
Shower only faucet does not include Part N, O, or P.

