

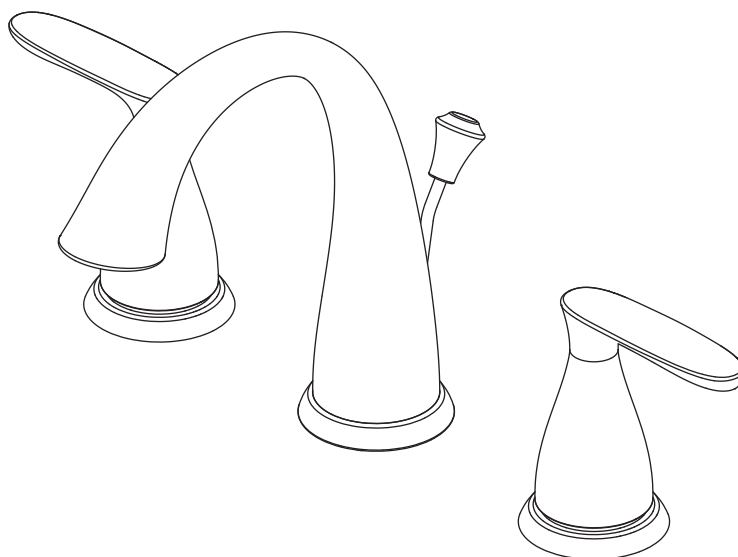


AquaSource® is a registered trademark of LF, LLC. All Rights Reserved.

ITEM #0386619
0386621

2-HANDLE 8 IN. WIDESPREAD LAVATORY FAUCET

MODEL #67307-5001
67307-5004



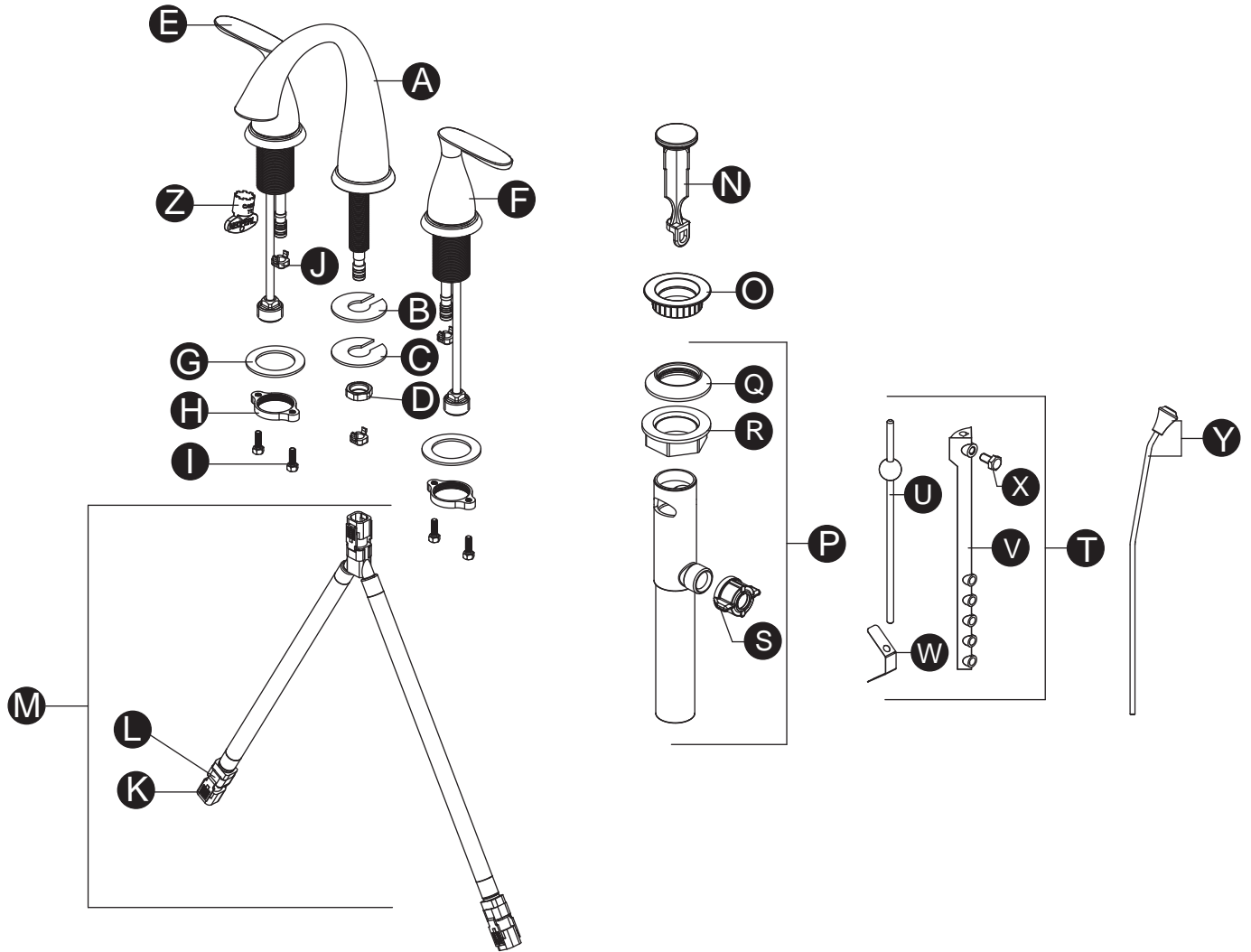
ATTACH YOUR RECEIPT HERE

Serial Number _____ **Purchase Date** _____



Questions, problems, missing parts? Before returning to your retailer, call our customer service department at 1-866-417-7564, 8 a.m. - 8 p.m., EST, Monday - Friday.

PACKAGE CONTENTS



| PART | DESCRIPTION | QUANTITY |
|------|------------------------------------------------------------------------------|----------|
| A | Spout | 1 |
| B | Rubber Washer (Preassembled to Faucet (A)) | 1 |
| C | Metal Washer (Preassembled to Faucet (A)) | 1 |
| D | Retaining Nut (Preassembled to Faucet (A)) | 1 |
| E | Hot End Valve | 1 |
| F | Cold End Valve | 1 |
| G | Washer (Preassembled to Hot End Valve (E) and Cold End Valve (F)) | 2 |
| H | Bracket (Preassembled to Hot End Valve (E) and Cold End Valve (F)) | 2 |
| I | Locking Screw (Preassembled to Bracket (H)) | 4 |
| J | Block (Preassembled to Faucet (A), Hot End Valve (E) and Cold End Valve (F)) | 3 |
| K | Tab (Preassembled to Hose (M)) | 3 |
| L | Quick Connect (Preassembled to Hose (M)) | 3 |
| M | Hose | 1 |

PACKAGE CONTENTS

| PART | DESCRIPTION | QUANTITY |
|------|-----------------------------------------------------|----------|
| N | Stopper | 1 |
| O | Flange | 1 |
| P | Pop-up Body | 1 |
| Q | Gasket (Preassembled to Pop-up Body (P)) | 1 |
| R | Nut (Preassembled to Pop-up Body (P)) | 1 |
| S | Pivot Nut (Preassembled to Pop-up Body (P)) | 1 |
| T | Lift Rod Strap | 1 |
| U | Horizontal Rod (Preassembled to Lift Rod Strap (T)) | 1 |
| V | Strap (Preassembled to Lift Rod Strap (T)) | 1 |
| W | Clip (Preassembled to Lift Rod Strap (T)) | 1 |
| X | Screw (Preassembled to Lift Rod Strap (T)) | 1 |
| Y | Lift Rod | 1 |
| Z | Aerator Tool | 1 |

SAFETY INFORMATION

Please read and understand this entire manual before attempting to assemble, operate or install the product. If you have any questions regarding the product, please call customer service at 1-866-417-7564, 8 a.m. - 8 p.m., EST, Monday - Friday.

- Follow the installation instructions carefully. Proper installation is the installer's responsibility.
- Failure to follow correct installation procedures can result in the faucet being loose, which can result in serious injury.
- Check local building codes before beginning installation to ensure compliance.

PREPARATION

Before beginning the assembly of product, make sure all parts are present. Compare parts with package content list and diagram above. If any part is missing or damaged, do not attempt to assemble the product. Contact customer service for replacement parts.

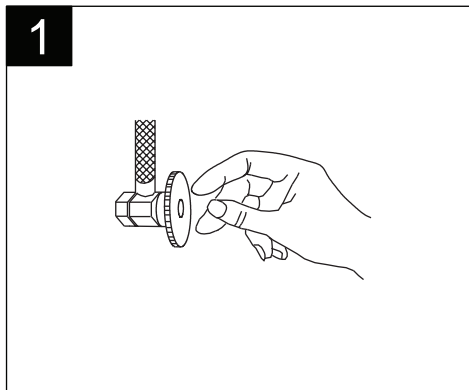
Estimated Assembly Time: 60 Minutes, Including Removal of Old Faucet

Tools Required for Assembly (not included): Adjustable Wrench, Phillips Screwdriver, Putty/Silicone, Allen Wrench

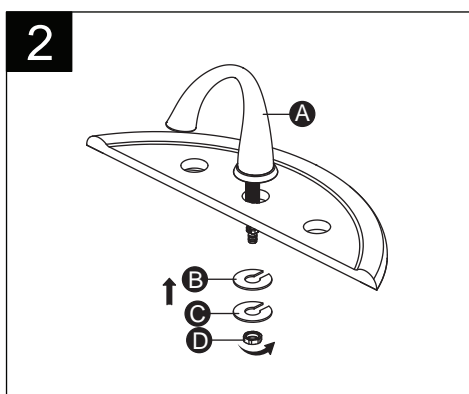
Helpful Tools (not included): Basin Wrench, Water Supply Lines

ASSEMBLY INSTRUCTIONS

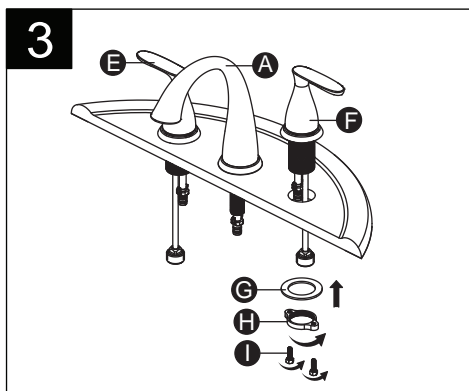
1. Shut off water supplies. Remove old faucet.



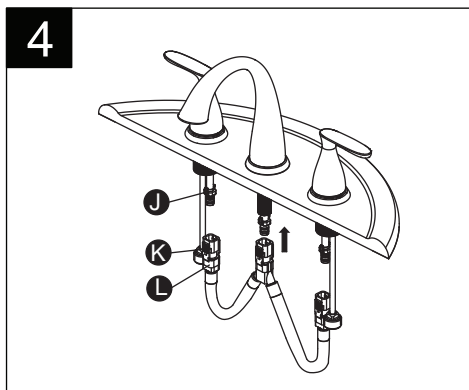
2. Place spout (A) through center mounting hole of sink (not included). Secure spout (A) with rubber washer (B), metal washer (C) and retaining nut (D).



3. Slide hot end valve (E) and cold end valve (F) through sink mounting holes. Make sure long tubes are installed away from the spout (A). Handles should point out when in off position. Secure hot end valve (E) and cold end valve (F) with washers (G) and brackets (H). Hand tighten brackets (H) onto shank. Lock brackets (H) into position by tightening locking screws (I).

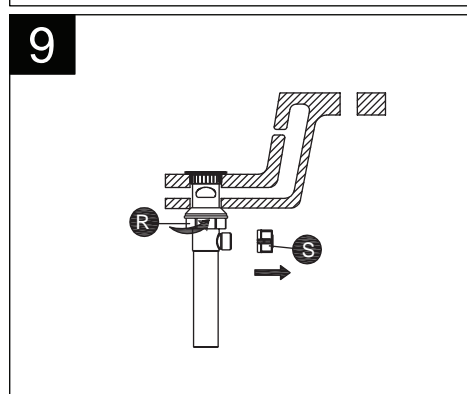
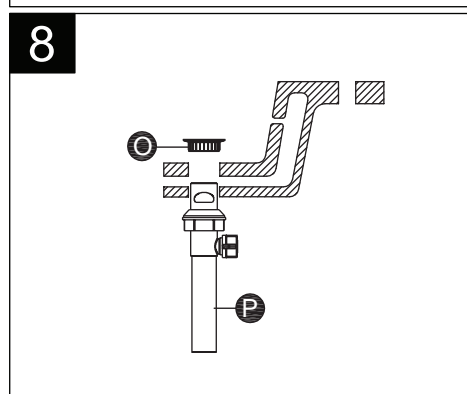
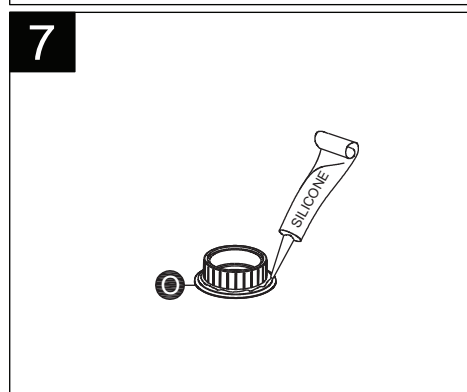
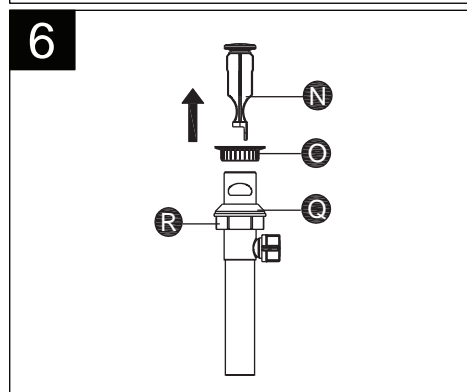
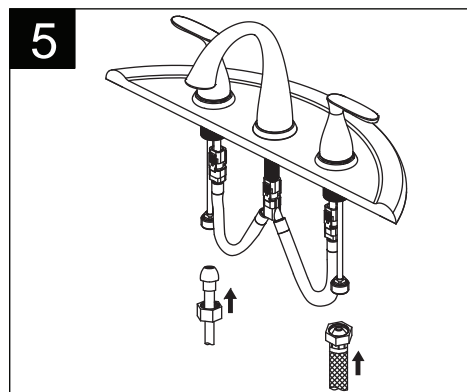


4. Align blocks (J) and tabs (K) on quick connects (L). Push quick connects (L) firmly upward and snap onto blocks (J). Pull down moderately to ensure each connection has been made. If it is necessary to remove the hose, press on the tabs (K) and pull quick connects (L) down.



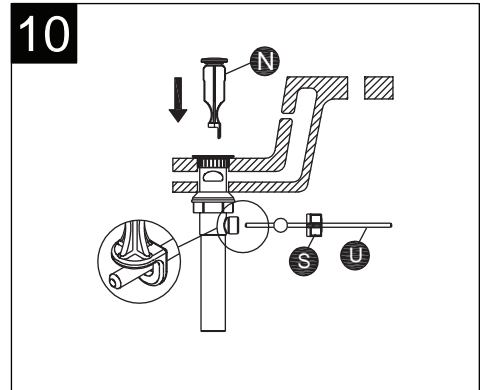
ASSEMBLY INSTRUCTIONS

5. Connect 1/2 in. IPS faucet connector or coupling nuts (not included) with 3/8 in. O.D. ball-nose risers (not included) to water supplies using wrenches (not included).
Note: Refer to local plumbing codes for permissible types of water supply connectors.
6. Remove stopper (N) and flange (O). Screw nut (R) all the way down. Push gasket (Q) down.
7. Apply silicone or putty (not included) to underside of flange (O).
8. Insert pop-up body (P) into sink. Screw flange (O) onto top of pop-up body (P). Pivot hole must face the back of the sink.
9. Tighten nut (R), but do not overtighten. Remove pivot nut (S).

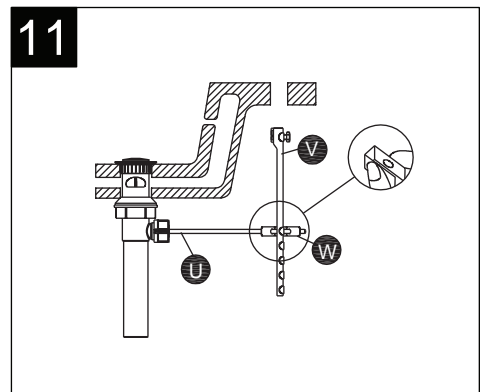


ASSEMBLY INSTRUCTIONS

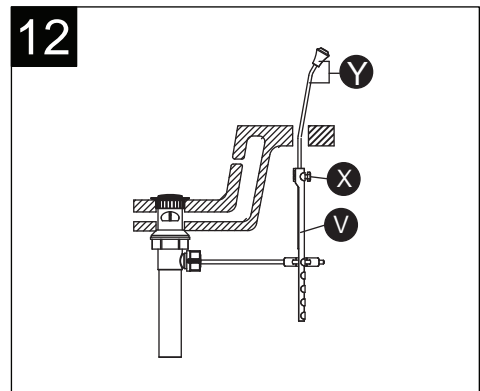
10. Install horizontal rod (U) through the hole of stopper (N). Hand tighten pivot nut (S).



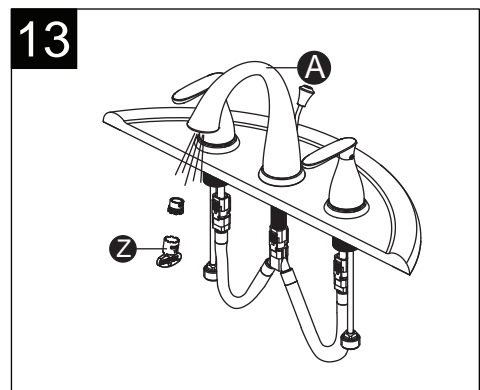
11. Attach horizontal rod (U) to strap (V) using clip (W).



12. Insert lift rod (Y) through faucet and into strap (V). Tighten screw (X).



13. After installation is completed, remove aerator on spout (A) using aerator tool (Z). Turn on water supply and allow both hot and cold water to run for at least one minute each. While water is running, check for leaks. Replace aerator.



CARE AND MAINTENANCE

- Clean carefully by gently wiping with a grit-free damp cloth. Use only mild soap with water.
Never use acids, harsh chemicals or abrasive detergents to clean surface.

TROUBLESHOOTING

If you have any questions regarding the product, please call our customer service at 1-866-417-7564, 8 a.m. - 8 p.m., EST, Monday - Friday.

| PROBLEM | POSSIBLE CAUSE | CORRECTIVE ACTION |
|-----------------------------|-------------------------------|--------------------------------------------------------------------|
| Leak from under handle | Damaged cartridge | Remove handle. Replace cartridge. |
| Inconsistent flow pattern | Aerator is dirty or misfitted | Unscrew the aerator to check rubber washer or replace the aerator. |
| Leak from the spout/aerator | Damaged cartridge | Remove handle. Replace cartridge. |

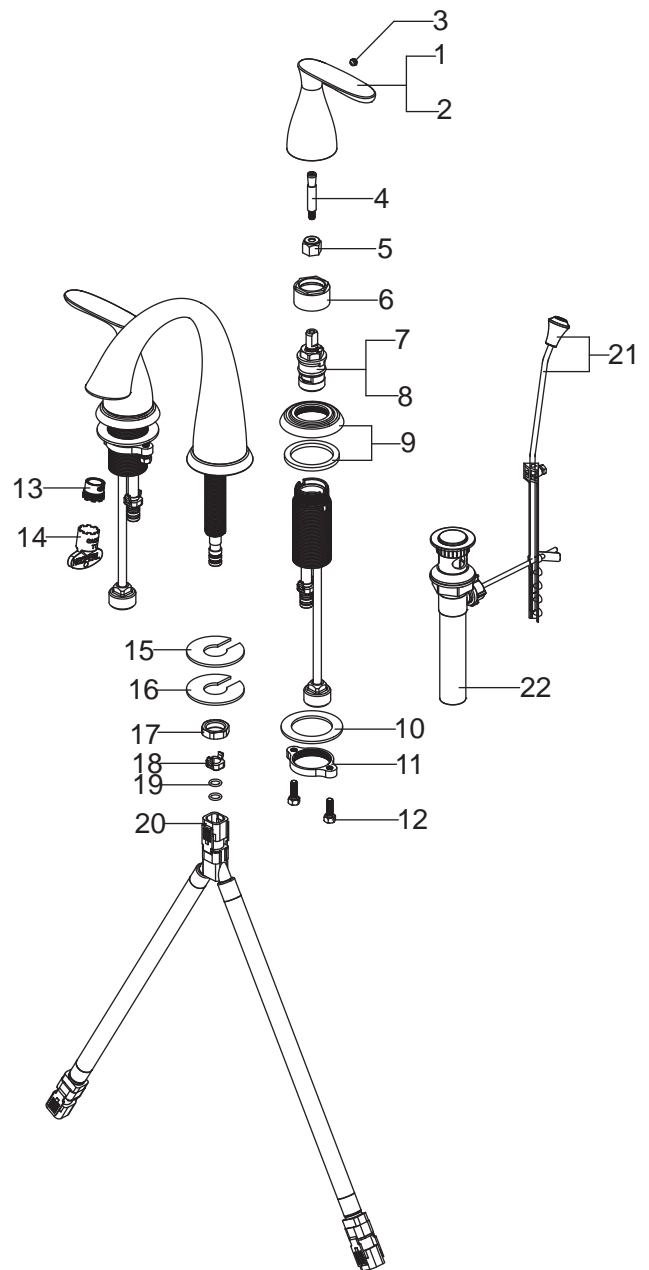
LIFETIME LIMITED WARRANTY

This faucet has been manufactured under the highest standard of workmanship. All parts of this faucet are warranted to be free from leaks or drips during domestic use for as long as the original purchaser owns this product. THIS EXCLUDES INDUSTRIAL, COMMERCIAL, OR BUSINESS USE. The manufacturer will replace FREE OF CHARGE, under the warranty conditions the entire unit or any part (at our option) which proves defective in material and/or workmanship under normal installation, use and service. This warranty is limited to defective parts as stated. All costs of removal and installation of the faucet, including the replacement of warranty parts are the responsibility of the purchaser. The manufacturer shall not be liable for incidental, consequential or special damages arising at or in connection with product use or performance except as may otherwise be accorded by law. This warranty gives you specific legal rights, and you may also have other rights which may vary from state to state. Any damage to this faucet as a result of misuse, abuse, neglect, accident, improper installation, or any use violating instructions furnished by us, WILL VOID THIS WARRANTY. When requesting warranty service, you will need to present a copy of your sales receipt as proof of purchase. To obtain warranty service, call our customer service department at 1-866-417-7564.

REPLACEMENT PARTS LIST

For replacement parts, call our customer service department at 1-866-417-7564, 8 a.m. - 8 p.m., EST, Monday - Friday.

| PART | DESCRIPTION | PART # |
|------|-----------------|----------|
| 1 | Handle H | RP13207* |
| 2 | Handle C | RP13208* |
| 3 | Set Screw | RP50002 |
| 4 | Connect | RP50119 |
| 5 | Inverter | RP64044 |
| 6 | Bonnet | RP70193 |
| 7 | Cartridge H | RP20013 |
| 8 | Cartridge C | RP20014 |
| 9 | Flange & Washer | RP17122* |
| 10 | Washer | RP64147 |
| 11 | Bracket | RP56059 |
| 12 | Locking Screw | RP50004 |
| 13 | Aerator | RP30092 |
| 14 | Aerator Tool | RP30093 |
| 15 | Rubber Washer | RP64006 |
| 16 | Metal Washer | RP64007 |
| 17 | Retaining Nut | RP56062 |
| 18 | Block | RP70005 |
| 19 | O-Ring | RP60002 |
| 20 | Hose | RP70006 |
| 21 | Lift Rod | RP40142* |
| 22 | Pop-up | RP40027* |



*Available in Polished Chrome Finish and Brushed Nickel Finish.

Printed in China