



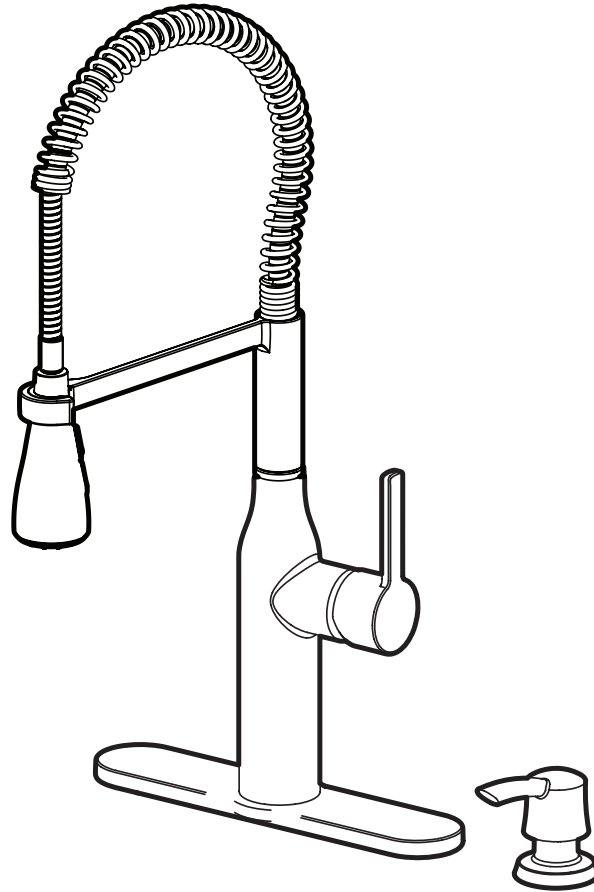
AquaSource® is a registered trademark of LF, LLC. All Rights Reserved.

ITEM #0335968

INDUSTRIAL KITCHEN FAUCET

MODEL #67458-1008D2

Français / Español p. 8



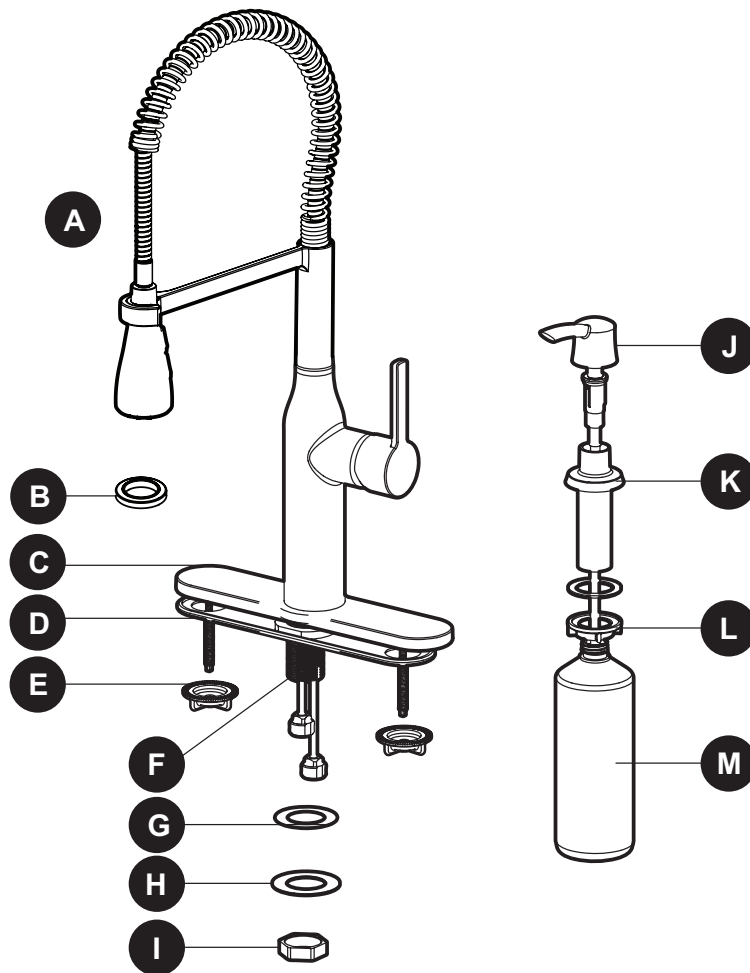
ATTACH YOUR RECEIPT HERE

Serial Number _____ Purchase Date _____



Questions, problems, missing parts? Before returning to your retailer, call our customer service department at 1-866-417-7564, 8 a.m. - 8 p.m., EST, Monday - Friday.

PACKAGE CONTENTS



PART	DESCRIPTION	QUANTITY
A	Faucet	1
B	Single Post Mounting Ring	1
C	Escutcheon (Preassembled to Faucet (A))	1
D	Base Plate (Preassembled to Faucet (A))	1
E	Mounting Nut (Preassembled to Faucet (A))	2
F	Shank (Preassembled to Faucet (A))	1
G	Plastic Washer (Preassembled to Shank (F))	1
H	Metal Washer (Preassembled to Shank (F))	1
I	Nut (Preassembled to Shank (F))	1
J	Pump	1
K	Body Assembly	1
L	Mounting Nut (Preassembled to Body Assembly (K))	1
M	Bottle	1

SAFETY INFORMATION

Please read and understand this entire manual before attempting to assemble, operate, or install the product.

WARNING

- Follow the installation instructions carefully. Proper installation is the installer's responsibility.
- Failure to follow correct installation procedures can result in the faucet being loose, which can result in serious injury.

CAUTION

- Check local building codes before you begin installation to ensure compliance.

PREPARATION

Before beginning the assembly of this product, make sure all parts are present. Compare parts with the package contents list. If any part is missing or damaged, do not attempt to assemble the product. Contact customer service for replacement parts.

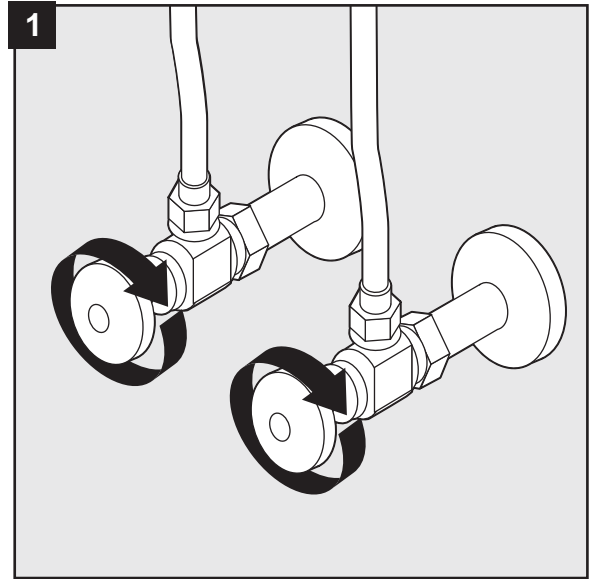
Estimated Assembly Time: 45 minutes (Including the Removal of Old Faucet)

Tools Required for Assembly (not included): Adjustable Wrench, Phillips Screwdriver, Pliers, Silicone Sealant, Allen Wrench

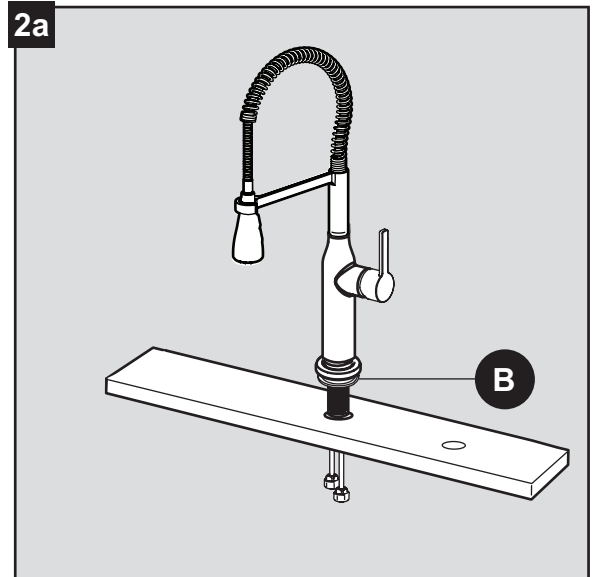
Helpful Tools (not included): Basin Wrench, Water Supply Lines

ASSEMBLY INSTRUCTIONS

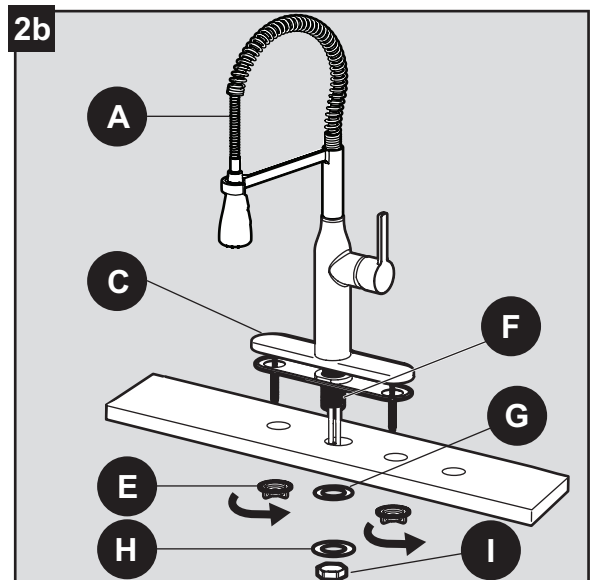
1. Shut off the water supply and remove the old faucet.



- 2a. For single-hole installation refer to diagram 2a.
 - a. Place single post mounting ring (B) on the sink (not included).



- 2b. For three-hole installation refer to diagram 2b.
 - a. Unscrew the pre-attached mounting nuts (E), rubber washer (G), metal washer (H), and nut (I) from the faucet (A).
 - b. Place the faucet over the sink and insert the shank (F) into the selected hole in the sink, re-attach and hand tighten the nuts (E).
 - c. From underneath the sink, re-attach and hand tighten the mounting nuts (E), rubber washer (G), metal washer (H), and nut (I).

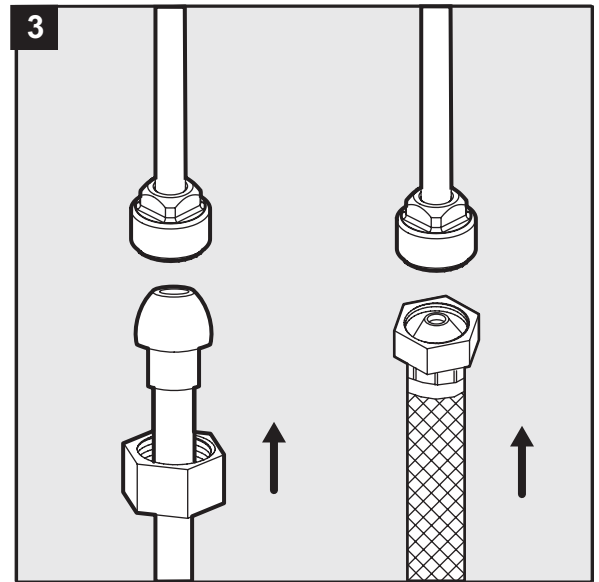


Note: Do not use the single post mounting ring (B) if you are using the Escutcheon (C).

ASSEMBLY INSTRUCTIONS

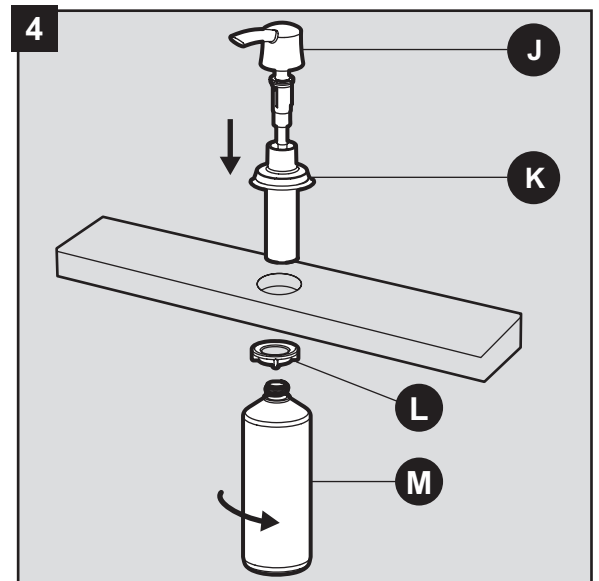
3. Connect a 1/2 in. IPS faucet connector or coupling nuts (not included) with 3/8 in. O.D. ball-nose risers (not included) to the water supplies underneath the sink using wrenches (not included).

Note: Refer to the local plumbing codes for permissible types of water supply connectors.



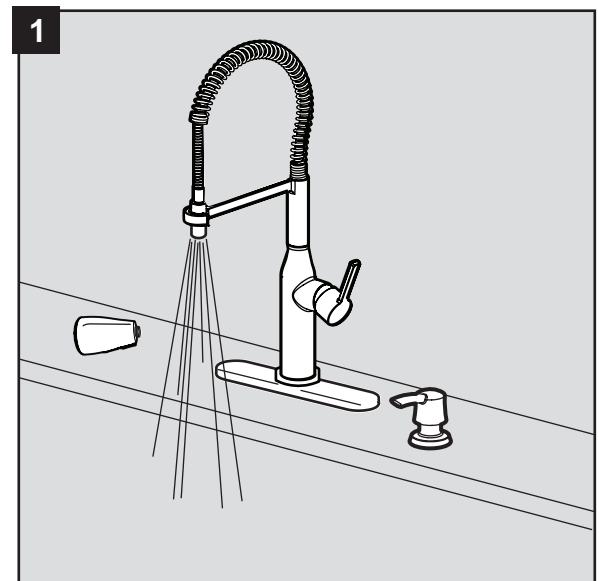
4. Install the soap dispenser:
 - a. Remove the preassembled mounting nut (L) from the body assembly (K).
 - b. Insert body assembly (K) through the selected hole in the sink.
 - c. Secure the body assembly (K) to the sink with the mounting nut (L).
 - d. From under the sink, screw the bottle (M) onto the body assembly (K).
 - e. Insert the pump (J) down into the body assembly (K).

Note: To refill the soap dispenser, pull the pump (J) from the body assembly (K). This will allow you access the bottle (M) opening.



OPERATION INSTRUCTIONS

1. After the installation is complete:
 - a. Unscrew and remove the spray head in order to flush the line.
 - b. Turn on the water supply and allow both hot and cold water to run for at least one minute each.
 - c. While the water is running, check for leaks.
 - d. Re-attach the spray head.



CARE AND MAINTENANCE

- Clean carefully by gently wiping with a grit-free damp cloth.
- Use only mild soap with water.
- Never use acids, harsh chemicals, or abrasive detergents to clean the faucet surface.

TROUBLESHOOTING

PROBLEM	POSSIBLE CAUSE	CORRECTIVE ACTION
There is a leak under the handle.	The cartridge is damaged.	Remove the handle and replace the cartridge.
The spout has a leak.	The cartridge is damaged.	Remove the handle and replace the cartridge.

WARRANTY

This faucet has been manufactured under the highest standard of workmanship. All parts of this faucet are warranted to be free from leaks or drips during domestic use for as long as the original purchaser owns this product. **THIS EXCLUDES INDUSTRIAL, COMMERCIAL, OR BUSINESS USE.** The manufacturer will replace **FREE OF CHARGE**, under the warranty conditions the entire unit or any part (at our option) which proves defective in material and/or workmanship under normal installation, use and service. This warranty is limited to defective parts as stated. All costs of removal and installation of the faucet, including the replacement of warranty parts are the responsibility of the purchaser. The manufacturer shall not be liable for incidental, consequential or special damages arising at or in connection with product use or performance except as may otherwise be accorded by law. This warranty gives you specific legal rights, and you may also have other rights which may vary from state to state. Any damage to this faucet as a result of misuse, abuse, neglect, accident, improper installation, or any use violating instructions furnished by us, **WILL VOID THIS WARRANTY.** When requesting warranty service, you will need to present a copy of your sales receipt as proof of purchase. To obtain warranty service, call our customer service department at 1-866-417-7564.

REPLACEMENT PARTS LIST

For replacement parts, call our customer service department at 1-866-417-7564, 8 a.m. - 8 p.m., EST, Monday - Friday.

PART	DESCRIPTION	PART #
1	Hose	RP70377
2	Inverter	RP70378
3	Spray	RP38125*
4	Inverter	RP70379
5	O-ring	RP60071
6	Wearable Ring	RP70380
7	Cartridge	RP20044
8	Bonnet	RP70304
9	Cap	RP80132*
10	Handle Screw	RP70356
11	Handle	RP13256*
12	Set Screw	RP50002
13	Soap Dispenser	RP46037*
13.1	Pump	RP46040*
13.2	Soap Pump Flange	RP46021*
13.3	Bottle	RP46002
14	Escutcheon	RP46047*
15	Base Plate	RP46041*
16	Bolt	RP46002
17	Mounting Nut	RP80332*
18	Plastic Washer	RP50071
19	Metal Washer	RP56063
20	Nut	RP80333*
21	Single Post Mounting Ring and Gasket	RP80328

* Available in Stainless Steel Finish.

