

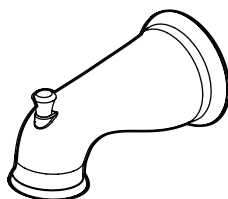
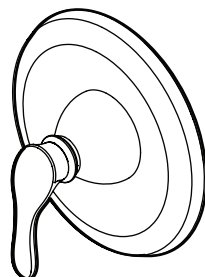


AquaSource® is a registered trademark of LF, LLC. All Rights Reserved.

ITEM #0040252 TUB AND SHOWER FAUCET

MODEL #873-3804

Francias / Español p. 13



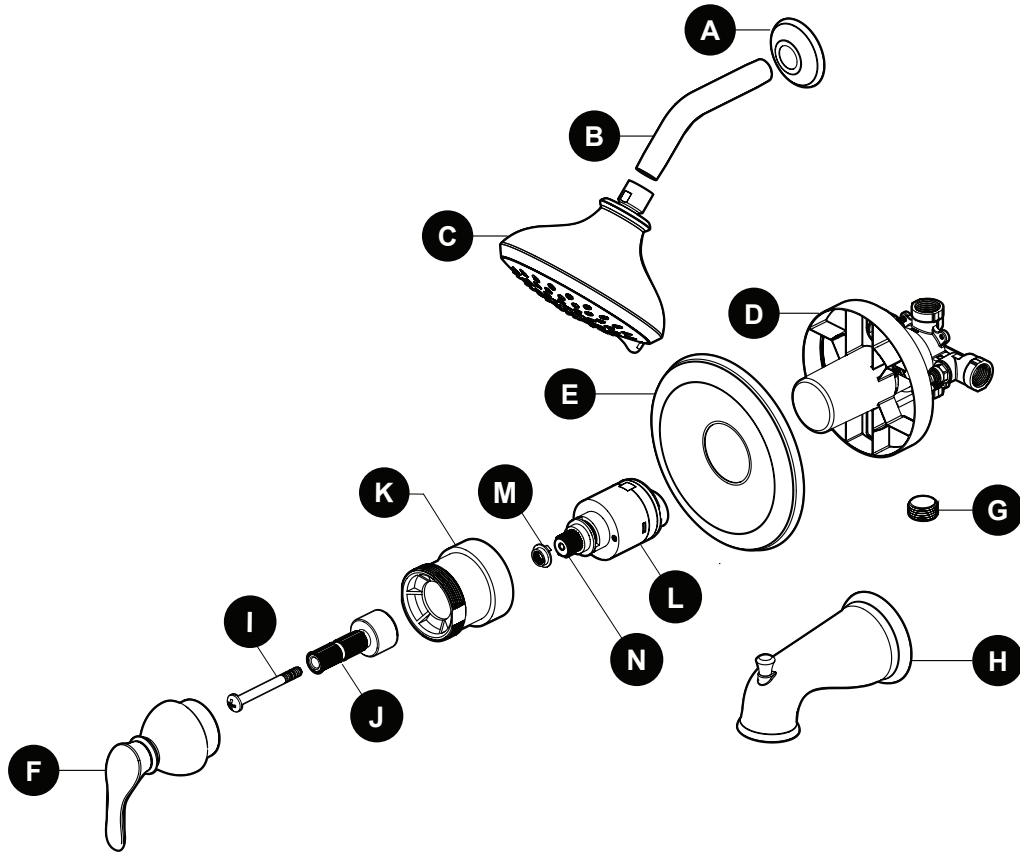
ATTACH YOUR RECEIPT HERE

Serial Number _____ Purchase Date _____



Questions, problems, missing parts? Before returning to your retailer, call our customer service department at 1-866-417-7564, 8 a.m. - 8 p.m., EST, Monday - Friday.

PACKAGE CONTENTS



PART	DESCRIPTION	QUANTITY
A	Shower Flange	1
B	Shower Arm	1
C	Showerhead	1
D	Valve Body	1
E	Escutcheon	1
F	Handle Assembly	1
G	Plug	1
H	Tub Spout	1
I	Screw (Preassembled to Valve Body (D))	1
J	Inverter (Preassembled to Valve Body (D))	1
K	Bonnet (Preassembled to Valve Body (D))	1
L	Cartridge (Preassembled to Valve Body (D))	1
M	Stop Ring (Preassembled to Valve Body (D))	1
N	Cartridge Stem (Preassembled to Valve Body (D))	1



SAFETY INFORMATION

Please read and understand this entire manual before attempting to assemble, operate, or install the product.

WARNING:

- Follow the installation instructions carefully. Proper installation is the installer's responsibility.
- Failure to follow correct installation procedures can result in the faucet being loose, which can result in serious injury.

CAUTION:

- Check local building codes before beginning installation to ensure compliance.

PREPARATION

Before beginning the assembly of this product, make sure all parts are present. Compare parts with the package contents and hardware contents list. If any part is missing or damaged, do not attempt to assemble the product.

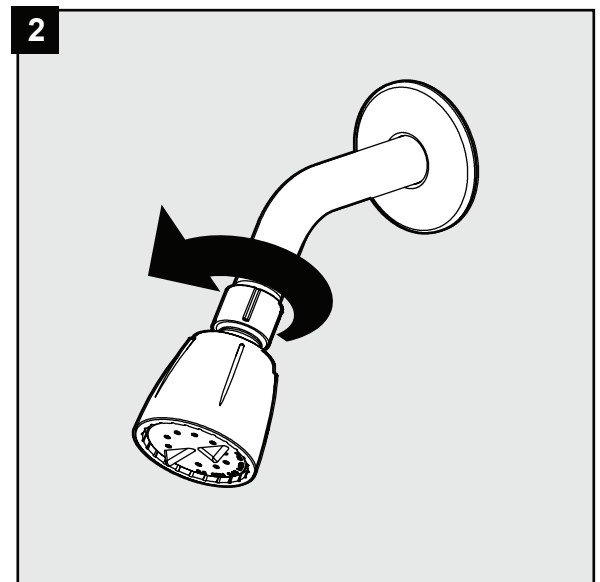
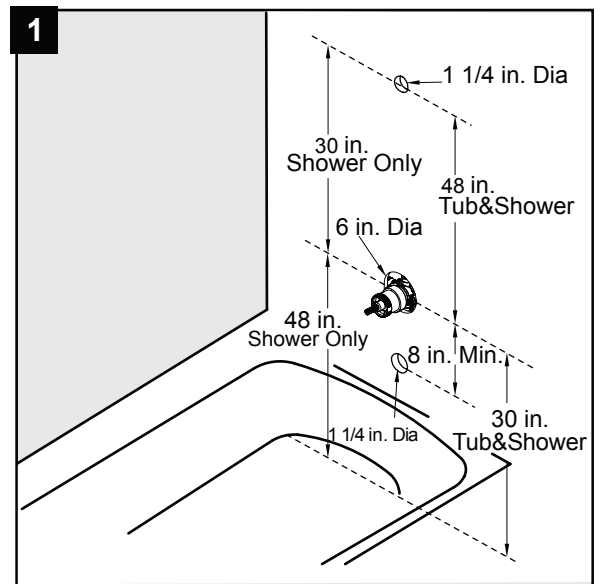
Estimated Assembly Time: 120 minutes

Tools Required for Assembly (not included): Adjustable Wrench, Phillips Screwdriver, Sealant Tape, Pliers, Saw, Goggles

Helpful Tools (not included): Pipe wrench

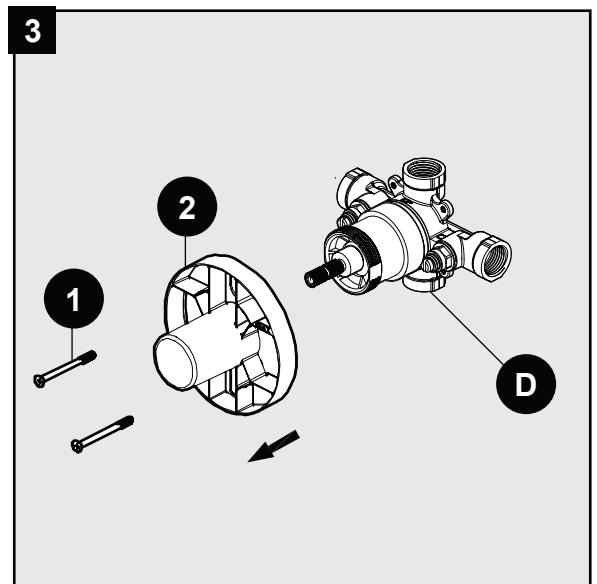
ASSEMBLY INSTRUCTIONS

1. Prepare the bath area for installation:
 - a. Shut off the water supply to the tub and shower.
Note: This may require shutting off the main water supply to your home.
 - b. Verify that the hole sizes and positions of the holes in the wall are correct. There are the recommended component measurements:
 - Shower and Spout Outlet Hole: 1-1/4 in. diameter
 - Valve Access Hole: 6 in. diameter
 - Recommended Valve Depth to Finished Wall: 2 in. min. to 2-1/2 in. max. Ensure that the black template plate's surface is flush with the finished exterior surface of the wall. Position the valve body correctly in the wall. The 8 in. minimum from the valve body to the tub spout is required for proper operation.
2. Remove the existing showerhead. Clear any debris from the shower and bath area. Clean old sealant from any threaded connections.

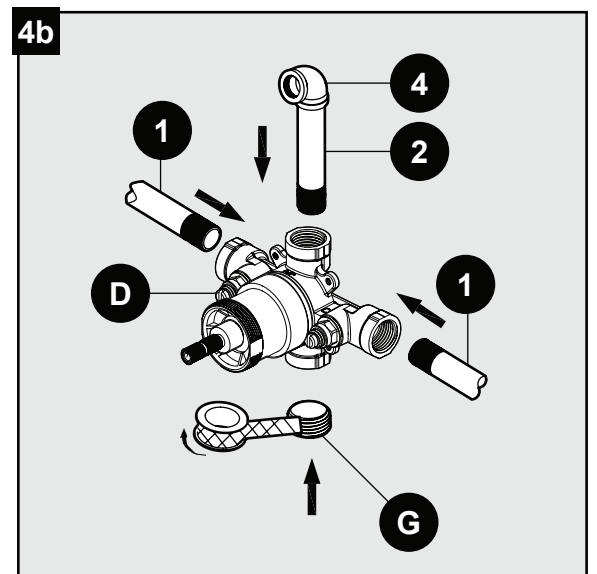
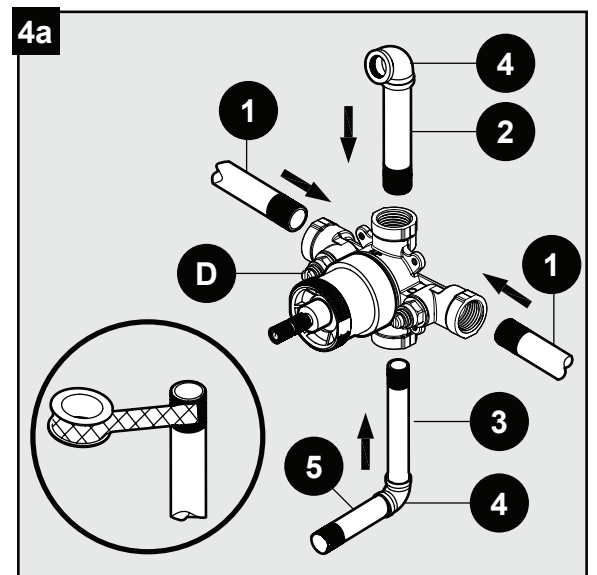


ASSEMBLY INSTRUCTIONS

3. Before installing, unscrew the two screws (1) that attach the plastic cap (2) to the valve body (D). Remove the plastic cap (2) from the valve body (D).

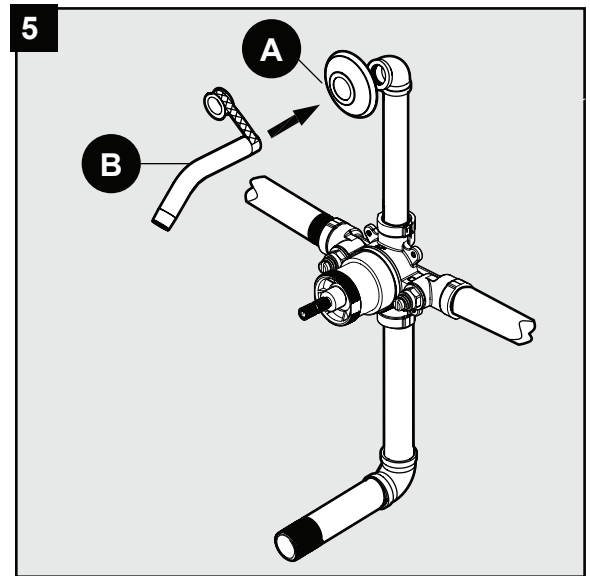


4. Install the valve body (D):
- Wrap thread sealant (not included) around the pipe threads in a clockwise direction.
 - Connect the hot (left) and cold (right) water supplies (1) (not included), the shower outlet pipe (2) (not included), and tub outlet pipe (3) (not included) by threading them into the valve body (D) in a clockwise direction. Tighten the pipes to the valve body with a pipe wrench (not included). Connect the pipe elbows (4) (not included) to the end of the shower outlet and tub outlet pipes. Connect the tub spout outlet pipe (5) (not included) to the lower pipe elbow (not included). Tighten the elbows and tub spout outlet pipe connections with a pipe wrench. See Figure 4a.
 - If you do not wish to install the tub outlet, wrap thread sealant (not included) around the plug (G) and insert the plug (G) into the bottom of the valve body (D). See Figure 4b.

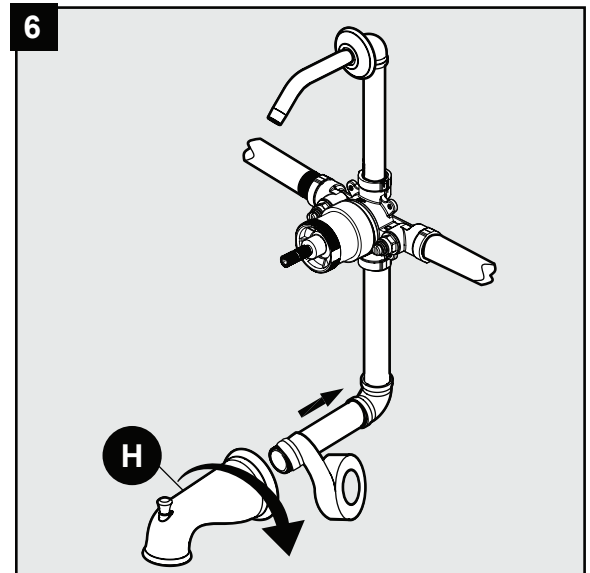


ASSEMBLY INSTRUCTIONS

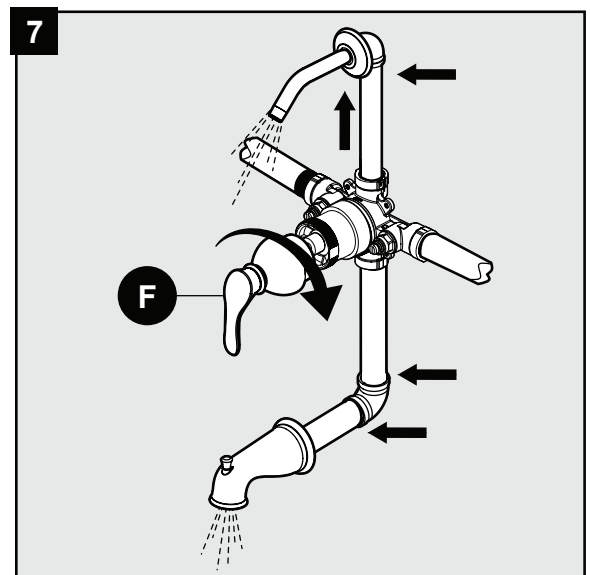
5. Install the shower arm (B):
- Insert the long end of the shower arm (B) through the shower arm flange (A) and wrap thread sealant tape (not included) around both sides of the shower arm (B).
 - Thread the long end of the shower arm (B) into the pipe elbow inside the wall in a clockwise direction.
 - Carefully tighten the shower arm (B) with a wrench. Do not overtighten as it could do damage to the shower arm (B).



6. Install the tub spout (H):
- Wrap thread sealant tape around the pipe threads of the tub spout outlet.
 - Thread the tub spout (H) into the threaded connection and twist clockwise until the spout becomes flush with the finished wall.

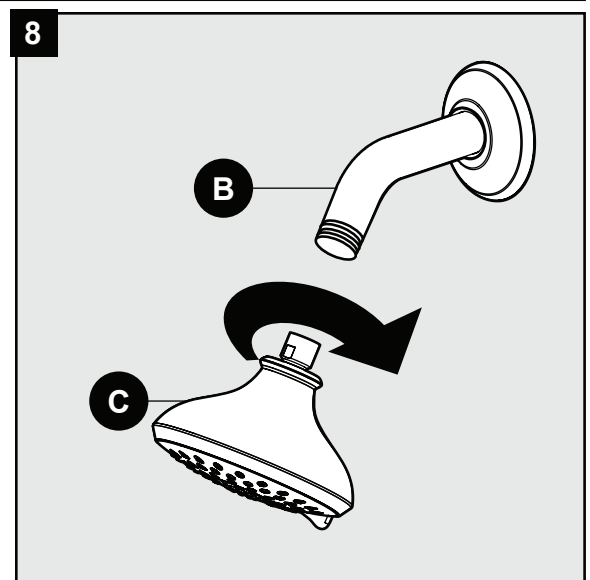


7. Check for leaks:
- Attach the handle assembly (F) by threading the base of the handle assembly (F) onto the valve stem and twist clockwise until secure. Turn the handle assembly (F) to the on position.
 - Turn on the hot and cold water supply lines and allow the water to flow from the outlets until all foreign matter has been flushed out of the line. Run hot and then cold for one minute each.
 - Check for leaks.
 - Shut off the water at the faucet and supply lines and remove the handle assembly (F).

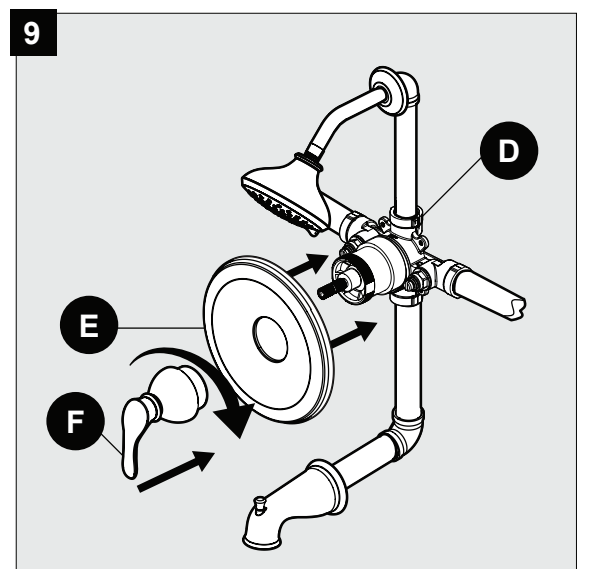


ASSEMBLY INSTRUCTIONS

8. Install the showerhead (C) to the end of the shower arm (B) by twisting in a clockwise direction. Tighten with a wrench. To avoid damage to the finish, place a cloth between the wrench and showerhead.



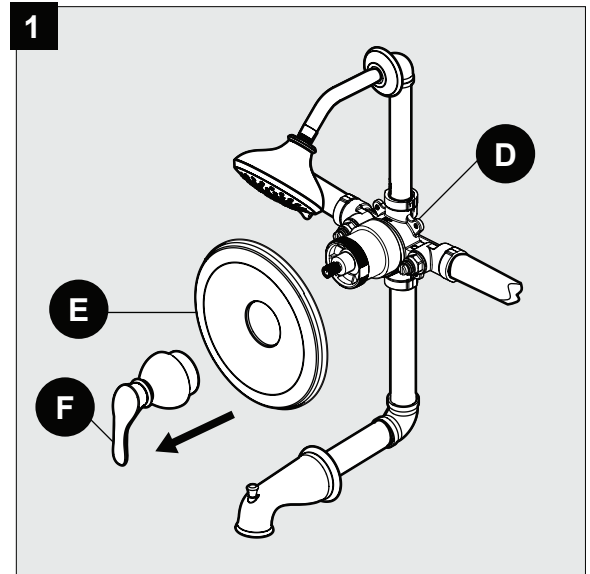
9. Position the escutcheon (E) over the valve body (D). Attach the handle assembly (F) by threading the base of the handle assembly (F) onto the valve stem of the valve body (D) and twisting clockwise until secure. Do not overtighten the handle assembly (F) as this could damage the escutcheon (E).



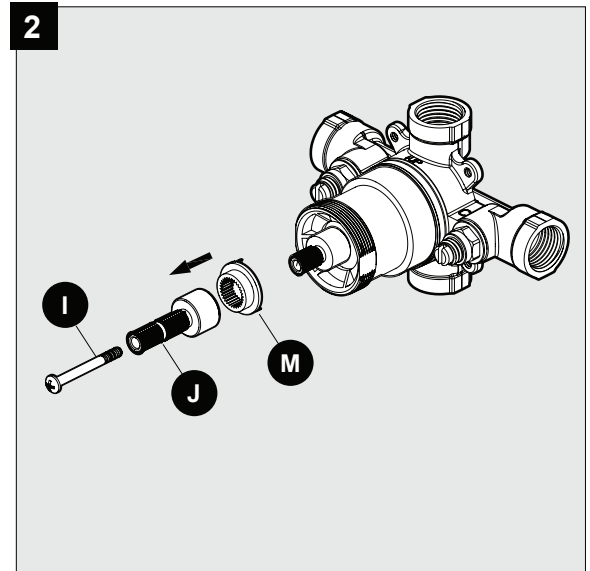
ADJUSTING THE TEMPERATURE LIMITER AND WATER FLOW ON THE VALVE

The limiter on the valve can be set to allow partial or full access to hot water by limiting how far the handle can be turned to the hot side of the valve. The limiter is typically set at the factory to allow only warm water to pass through the valve. Follow the directions in this section if you wish to adjust the amount of hot water that is allowed through the valve.

1. Unscrew and remove the handle assembly (F) and escutcheon (E) from the valve body (D).

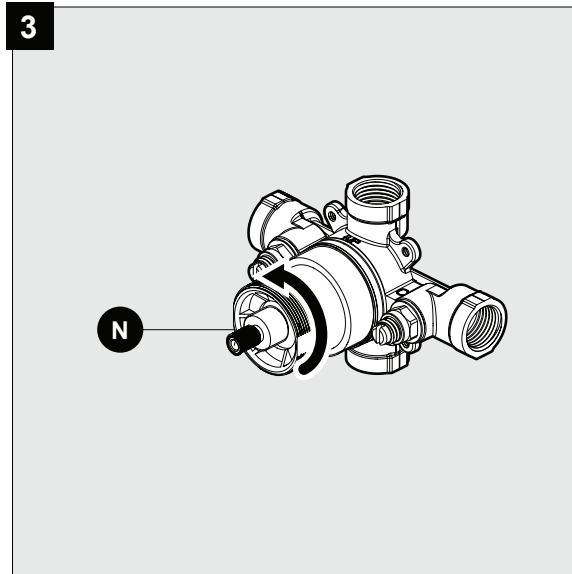


2. Unscrew the screw (I) and remove the inverter (J). Remove the stop ring (M).

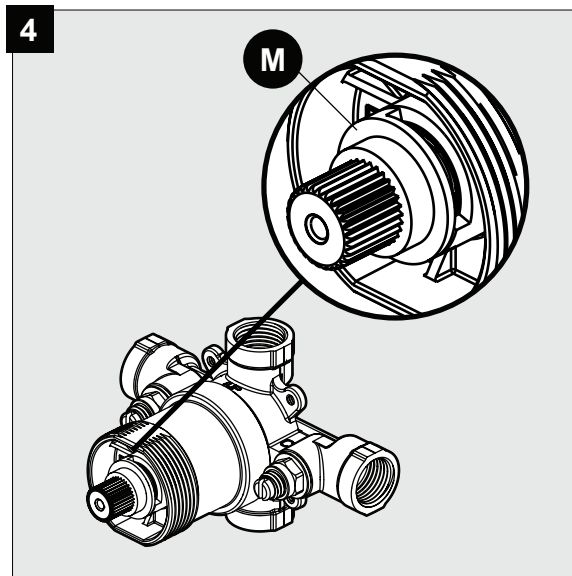


ADJUSTING THE TEMPERATURE LIMITER AND WATER FLOW ON THE VALVE

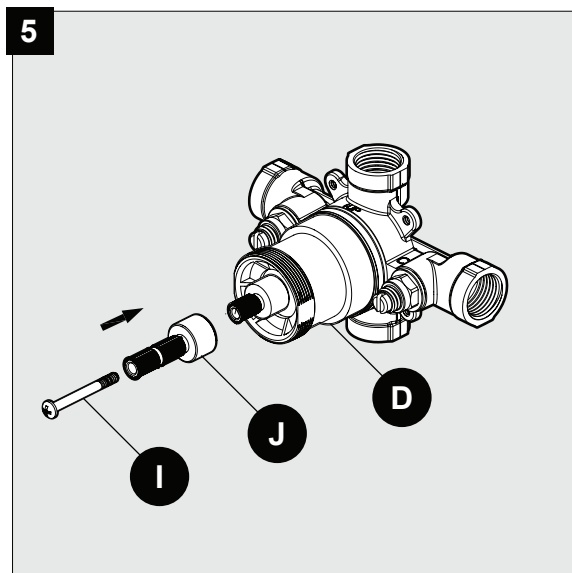
3. Slowly turn the cartridge stem (N) counterclockwise to adjust the desired maximum water temperature.



4. Reinstall the stop ring (M) and readjust the teeth engagement position so that the stem cannot move beyond the adjusted point. Optionally, you can completely remove the stop ring (M) to allow the maximum amount of hot water through the valve. This does not affect the performance of the valve.

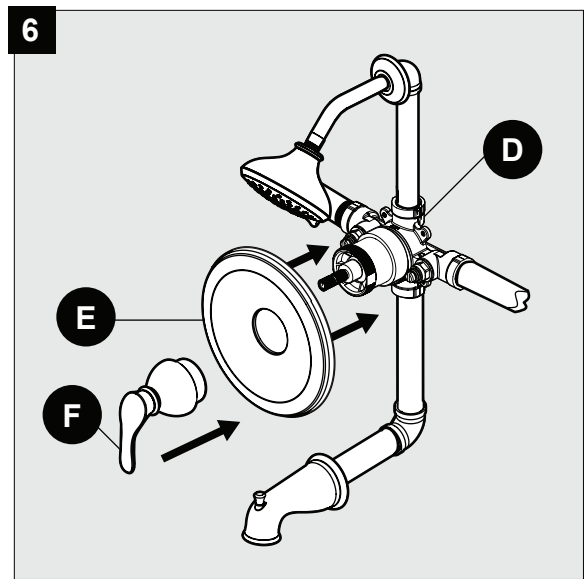


5. Reinstall the inverter (J) and screw (I) back onto the valve body (D).



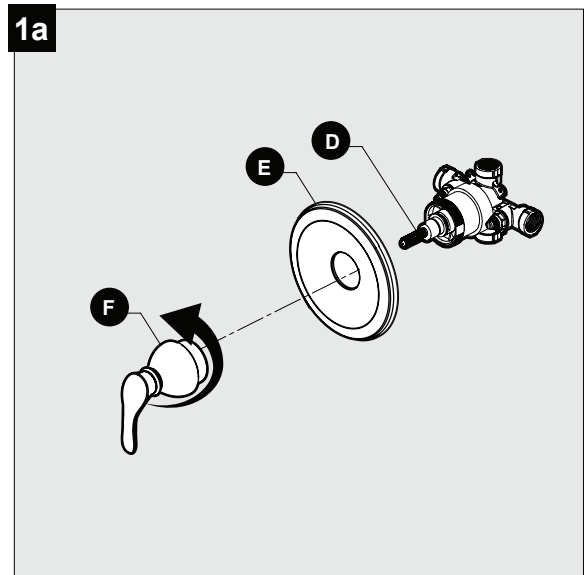
ADJUSTING THE TEMPERATURE LIMITER AND WATER FLOW ON THE VALVE

6. Replace the escutcheon (E) over the valve body (D). Attach the handle assembly (F) by threading the base of the handle assembly (F) onto the valve stem and twist clockwise until secure. Do not overtighten the handle assembly (F) as this could damage the escutcheon (E).

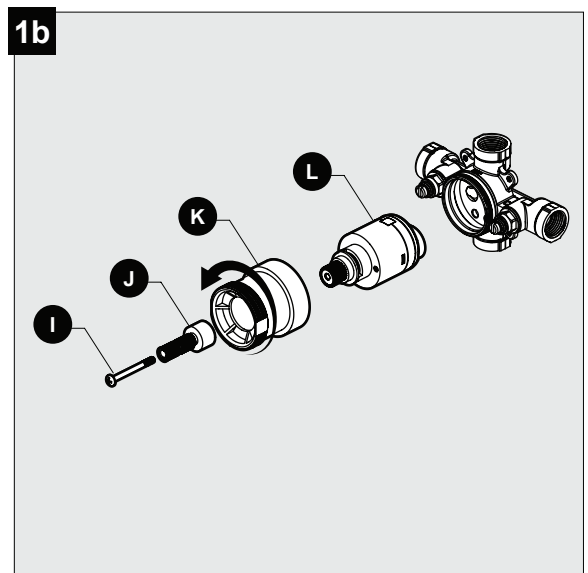


REPLACING THE CARTRIDGE

- 1a. Remove the old cartridge:
 - a. Unscrew the handle assembly (F) and remove it.
 - b. Remove the escutcheon (E) from the valve body (D).



- 1b. Remove the old cartridge (continued):
 - a. Unscrew the screw (I) with a Phillips screwdriver and remove the inverter (J).
 - b. Unscrew the bonnet (K) and remove the old cartridge (L). Replace with a new cartridge and reverse these steps for reassembly.



CARE AND MAINTENANCE

- Clean carefully by gently wiping with a grit-free damp cloth.
- Use only mild soap with water.
- Never use acids, harsh chemicals, or abrasive detergents to clean the surface.

TROUBLESHOOTING

PROBLEM	POSSIBLE CAUSE	CORRECTIVE ACTION
There is a leak from under the handle.	The cartridge is damaged.	Remove the handle and replace the cartridge.
There is an inconsistent water-flow pattern.	The showerhead is dirty or has accumulated debris.	Remove the showerhead and check for any debris clogged at the shower connection. Check the showerhead's spray nozzle for any build up or debris.
The spout/showerhead has a leak.	The cartridge is damaged.	Remove the handle and replace the cartridge.

WARRANTY

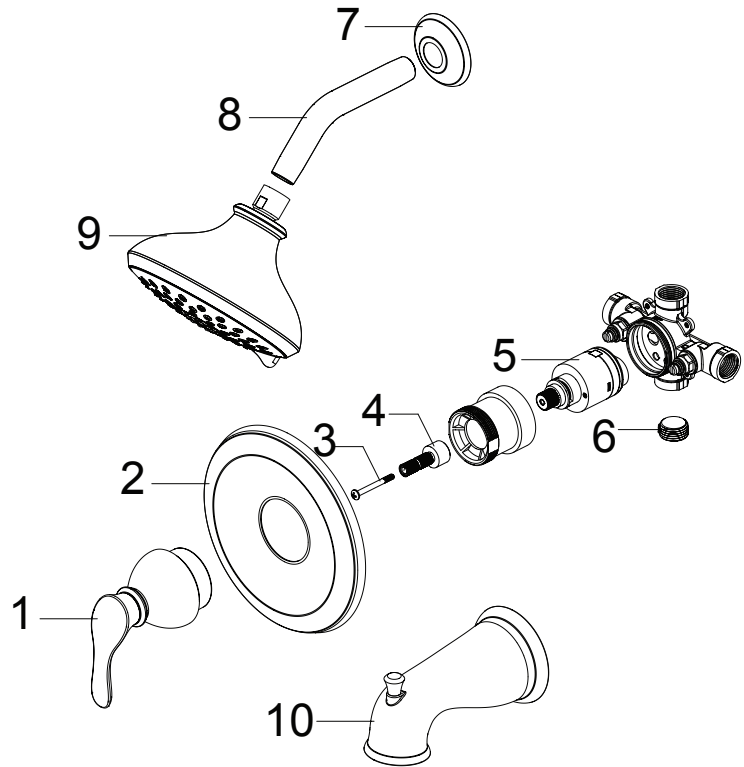
This faucet has been manufactured under the highest standard of workmanship. All parts of this faucet are warranted to be free from leaks or drips during domestic use for as long as the original purchaser owns this product. **THIS EXCLUDES INDUSTRIAL, COMMERCIAL, OR BUSINESS USE.** The manufacturer will replace **FREE OF CHARGE**, under the warranty conditions the entire unit or any part (at our option) which proves defective in material and/or workmanship under normal installation, use, and service. This warranty is limited to defective parts as stated. All costs of removal and installation of the faucet, including the replacement of warranty parts are the responsibility of the purchaser. The manufacturer shall not be liable for incidental, consequential, or special damages arising at or in connection with product use or performance except as may otherwise be accorded by law. This warranty gives you specific legal rights, and you may also have other rights which may vary from state to state. Any damage to this faucet as a result of misuse, abuse, neglect, accident, improper installation, or any use violating instructions furnished by us, **WILL VOID THIS WARRANTY.** When requesting warranty service, you will need to present a copy of your sales receipt as proof of purchase. To obtain warranty service, call our customer service department at 1-866-417-7564.

REPLACEMENT PARTS LIST

For replacement parts, call our customer service department at 1-866-417-7564, 8 a.m. - 8 p.m., EST, Monday - Friday.

PART	DESCRIPTION	PART #
1	Handle Assembly	RP13283*
2	Escutcheon	RP80351*
3	Screw	RP50155
4	Inverter	RP70040
5	Cartridge	RP20006
6	Plug	RP70392
7	Shower Flange	RP38163*
8	Shower Arm	RP38019*
9	Showerhead	RP38164*
10	Tub Spout	RP33056*

* Available in Brushed Nickel Finish.



Printed in China

AquaSource® is a registered trademark of LF, LLC. All rights reserved.

Lowes.com **AquaSource®**