



Master Forge & M Design® is a registered trademark of LF, LLC. All rights reserved.

ITEM #0503215

4-BURNER GAS GRILL WITH SIDE BURNER MODEL #1010048

Español p. 36

⚠ WARNING

Improper installation, adjustment, alteration, service or maintenance can cause injury or property damage. Read this instruction manual thoroughly before installing or servicing this equipment.

⚠ WARNING

1. Do not store or use gasoline or other flammable vapors and liquids in the vicinity of this or any other appliance.
2. An LP tank not connected for use should not be stored in the vicinity of this or any other appliance.

⚠ DANGER

If you smell gas:

1. Shut off gas to the appliance.
2. Extinguish any open flames.
3. Open the lid.
4. If the odor continues, keep away from the appliance and immediately call your gas supplier or fire department.

⚠ WARNING

For Outdoor Use Only



ATTACH YOUR RECEIPT HERE

Serial Number _____

Purchase Date _____



Questions, problems, missing parts? Before returning to your retailer, call our customer service department at **1-800-963-0211**, 8 a.m. - 6 p.m., EST, Monday - Thursday, 8 a.m. - 5 p.m., EST, Friday.

AB13574

TABLE OF CONTENTS

Safety Information	3
Package Contents	5
Hardware Contents	7
Preparation	7
Assembly Instructions	8
Installation Instructions	17
Operating Instructions	21
Care and Maintenance	24
Troubleshooting	30
Warranty	32
Exploded View	33
Replacement Parts List.	34

SAFETY INFORMATION

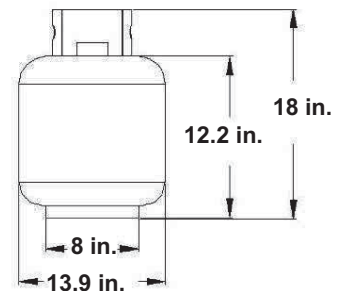
Please read and understand this entire manual before attempting to assemble, operate or install the product. If you have any questions regarding the product, please call customer service at 1-800-963-0211, 8:00 am to 6:00 pm, EST, Monday - Thursday, 8:00 a.m. to 5:00 p.m., EST, Friday.

1. The installation of this appliance must conform with local codes or, in the absence of local codes, with either the National Fuel Gas Code, ANSI Z223.1/NFPA 54, or Natural Gas and Propane Installation Code, CSA/CGA-B149.1.
2. This grill is intended for use outdoors and should not be used in a building, garage or any other enclosed or covered area.
3. This outdoor grill is not intended for installation in or on recreational vehicles and/or boats.
 4. A minimum clearance of 48 in. from combustible constructions to the sides of the grill and 48 in. from the back of the grill to combustible constructions must be maintained. This outdoor cooking gas appliance must not be placed under overhead combustible construction.
5. The use of an electrical source requires that when installed, the grill must be electrically grounded in accordance with local codes or, in the absence of local codes, with ANSI/NFPA 70, or the Canadian Electrical Code, CSA C22.1. Keep electrical supply cords and fuel supply hose away from heated surfaces.
6. Inspect the hoses before each use for excessive abrasion or wear, or cut that may affect safe operation of the grill. If there is evidence of excessive abrasion or wear, or the hose is cut, it must be replaced prior to the grill being put into operation. The replacement hose assembly must be those specified by the manufacturer.
7. Keep your grill in an area clear and free from combustible materials, gasoline and other flammable vapors and liquids.
8. DO NOT obstruct the flow of combustion and ventilation air to this appliance.
9. Keep the ventilation openings of the tank enclosure free and clear from debris.
10. Check all had connections for leaks with a soapy water solution and brush.

Never use an open flame to check from leaks.
11. Never use charcoal in the grill.
12. Never use the grill in windy areas.
13. Only a 20 lb. LP- gas cylinder is allowed. The cylinder must be constructed and marked in accordance with the Specifications for LPP Gas Cylinders of the U.S. Department of Transportation (D.O.T) or the National Standard of Canada, CAN/CSA-B339, Cylinders, Spheres and Tubes for Transportation of Dangerous Goods; and Commission.

A 20 lb. LP-Gas cylinder's dimensions are:
14. Never use the grill without the drip tray installed and hung under the burner box.


Without the drip tray, hot grease and debris could leak downward and produce a fire hazard.
15. Use only the gas pressure regulator supplied with this appliance. This regulator is a set for an outlet pressure of 11.0 wc.
16. The cylinder used must include a collar to protect the cylinder valve.




SAFETY INFORMATION

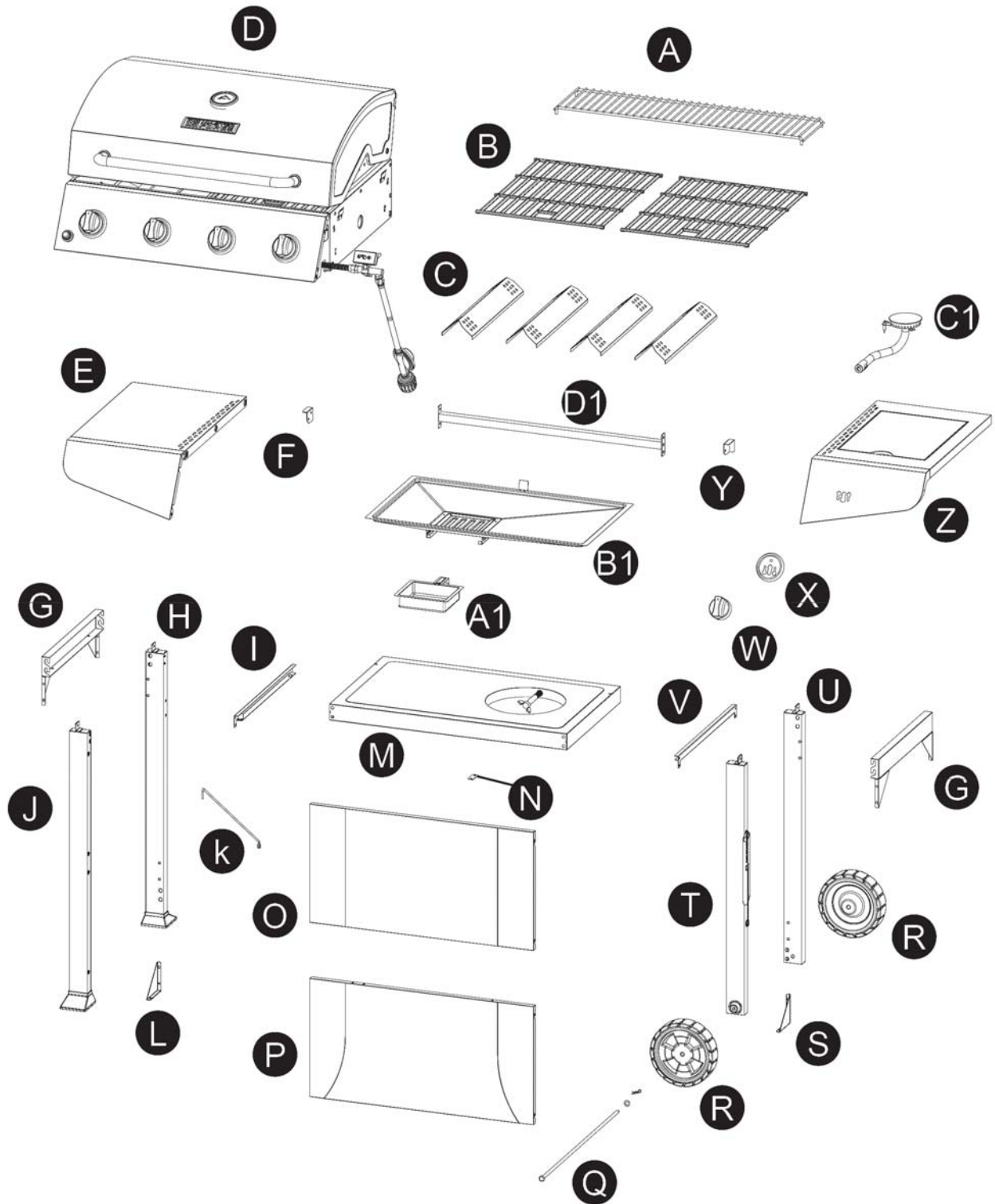
17. Do not store a spare LP-Gas cylinder under or near this appliance.
18. Never fill the cylinder beyond 80 percent full.
19. If the information in “17” and “18” is not followed exactly, a fire causing death or serious injury may occur.
20. The natural gas grill and its individual shutoff valve must be disconnected from the gas supply piping system during any pressure testing of that system at test pressures in excess of 0.5 PSI (3.5 KPa).
21. The outdoor cooking gas appliance must be isolated from the gas supply piping system by closing its individual manual shutoff valve during any pressure testing of the gas supply system at test pressures equal to or less than 1/2 PSI (3.5 kPa).
22. **CALIFORNIA PROPOSITION 65 WARNING:** The burning of gas cooking fuel generates some byproducts which are on the list of substances known by the state of California to cause cancer, reproductive harm, or other birth defects. To reduce exposure to these substances, always operate this unit according to the use and care manual, ensuring you provide good ventilation when cooking with gas.

IMPORTANT: We urge you to read this manual carefully and follow the recommendations enclosed. This will ensure you receive the most enjoyable and trouble-free operation of your new gas grill. We also advise you retain this manual for future reference.

 **WARNING:** Your grill has been designed to operate using only the gas specified by the manufacturer on the rating plate. Do not attempt to operate your grill with other gases. Failure to follow this warning could lead to a fire hazard and bodily harm and will void your warranty.

 **WARNING:** Make certain your LP (propane) tank is filled by a reputable propane dealer. An incorrectly filled or an overfilled LP tank can be dangerous. The overfilled condition combined with the warming of the LP tank (a hot summer day, tank left in the sun, etc.) can cause LP gas to be released by the pressure relief valve on the tank since the temperature increase causes the propane to expand. LP gas released from the tank is flammable and can be explosive. Refer to your Owner’s Manual for more information concerning filling your LP tank.

PACKAGE CONTENTS



PACKAGE CONTENTS

PART	DESCRIPTION	QUANTITY	PART	DESCRIPTION	QUANTITY
A	Warming rack	1	P	Cart front panel bottom	1
B	Cooking grate	2	Q	Axle	1
C	Flame tamer	4	R	Wheel	2
D	Grill Head	1	S	Corner brace right	1
E	Left side shelf	1	T	Cart leg front right	1
F	Hood stop left	1	U	Cart leg back right	1
G	Cart side brace	2	V	Grease tray bracket right	1
H	Cart leg back left	1	W	Control knob	1
I	Grease trap bracket left	1	X	Side burner knob bezel	1
J	Cart leg front left	1	Y	Hood stop right	1
K	LP tank barrier bar	1	Z	Side burner shelf	1
L	Corner brace left	1	A1	Grease cup	1
M	Cart base	1	B1	Grease tray	1
N	Cart front panel bracket	1	C1	Side burner	1
O	Cart front panel top	1	D1	Cart back brace	1

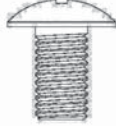
HARDWARE CONTENTS

AA



5/32-32 x 3/8 in.
Screw
Qty. 49

BB



1/4-20 x 1/2 in.
Screw
Qty. 24

CC



1/4-20 x 3/4 in.
Screw
Qty. 4

DD



Lock
washer
Qty. 6

EE



Axle washer
Qty. 1

FF



Cotter pin
Qty. 3

GG



AA Battery
Qty. 1

PREPARATION

Before beginning assembly of product, make sure all parts are present. Compare parts with package contents list and hardware contents list. If any part is missing or damaged, do not attempt to assemble the product.

Estimated Assembly Time: 40 minutes by two people

Tools Required for Assembly: Phillips screwdriver (not included).

ASSEMBLY INSTRUCTIONS

1. Assemble the grill hood


A. Remove the hood hinge screws from the grill head (D), then remove the hood from the grill head and set it aside. Shown in Fig. 1A.

Note: DO NOT OPEN THE HOOD PRIOR TO COMPLETING STEP A.

B. Remove all of the parts from inside of the grill head.

C. Attach the hood stop left (F) and hood stop right (Y) to the grill head (D) using four 5/32-32 x 3/8 in. screws (AA). Shown in Fig. 1B.

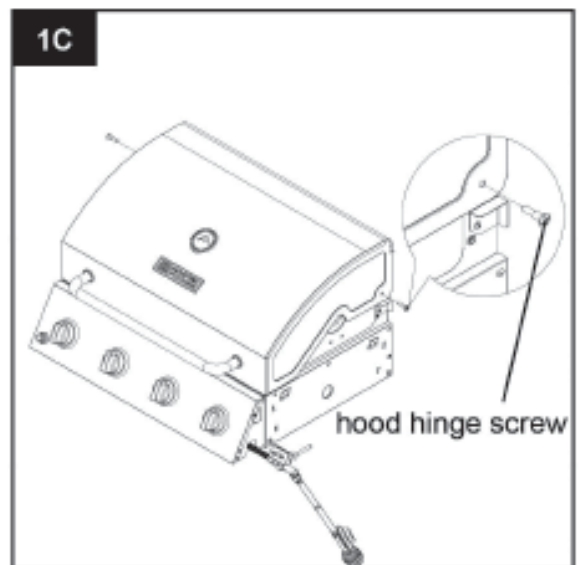
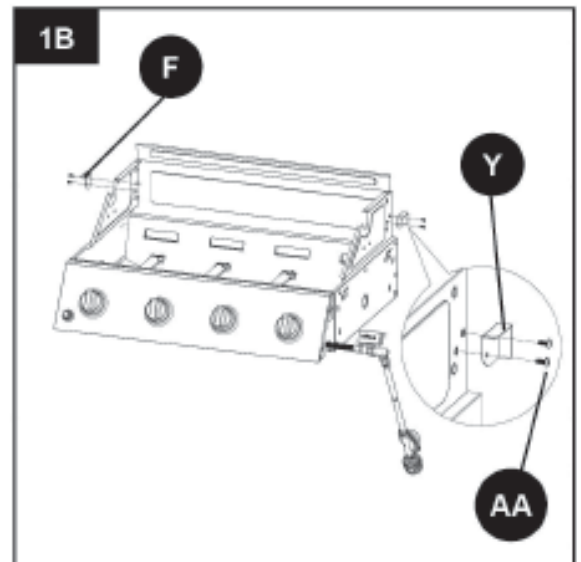
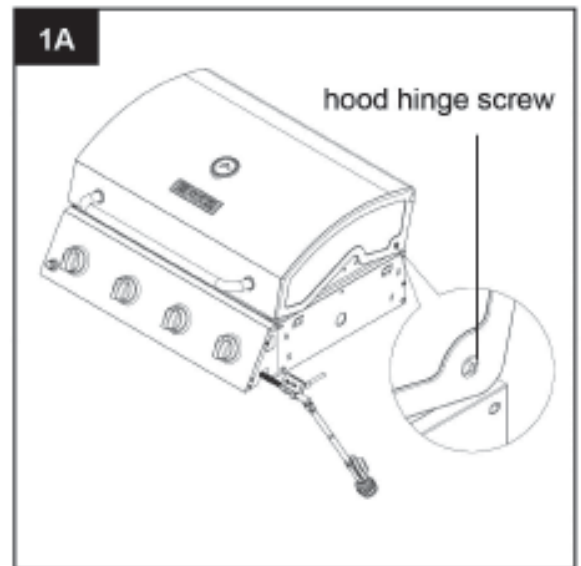
Hardware Used

AA 5/32-32 x 3/8 in. Screw  x 4

D. Reinstall the hood to the grill head (D) above the hood stops using the two previously removed hood hinge screws.

Shown in Fig. 1C

Note: The hood is reinstalled in a higher position than when it was removed. The lower position was for shipping purposes only.

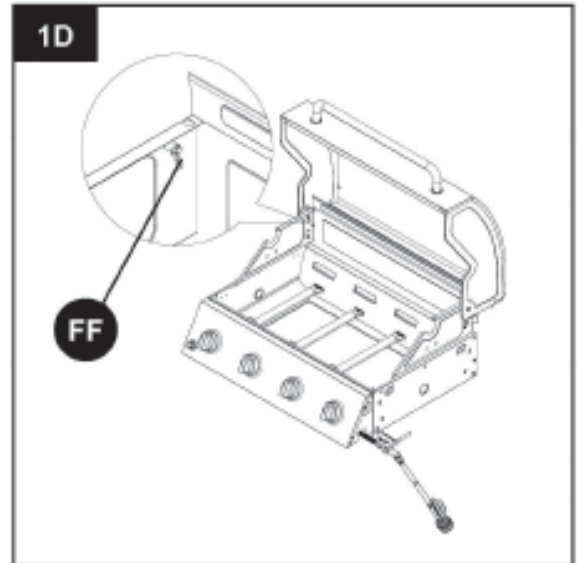


E. Open the hood and then secure the hood hinge screws in place using two cotter pins (FF). Shown in Fig. 1D.

Note: Put the assembled grill & hood to the side and then proceed to the next steps.

Hardware Used


FF Cotter pin  x 2




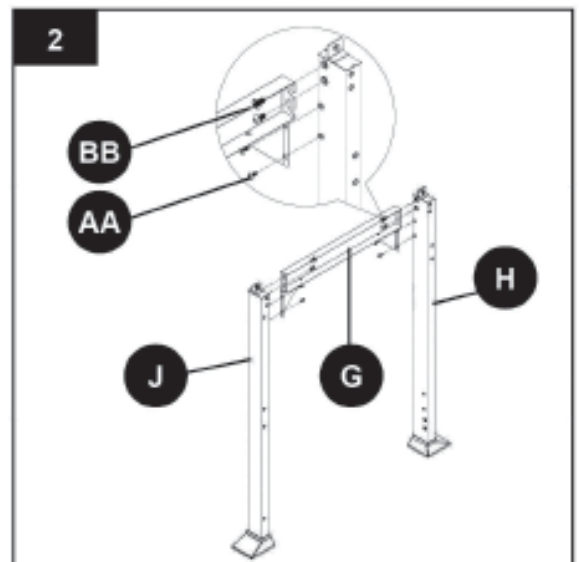
2. Assemble the left cart side

Attach the cart leg back left (H) and cart leg front left (J) to the cart side brace (G) using four 1/4-20 x 1/2 in. screws (BB) and four 5/32-32 x 3/8 in. screws (AA). Shown in Fig. 2.

Hardware Used

AA 5/32-32 x 3/8 in. Screw  x 4


BB 1/4-20 x 1/2 in. Screw  x 4




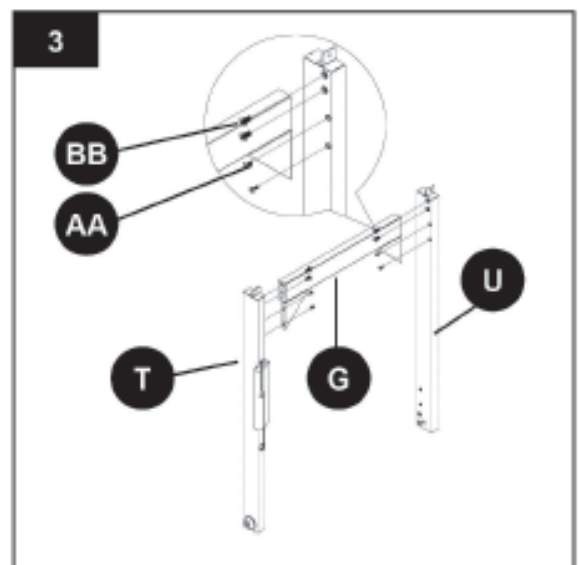
3. Assemble the right cart side

A. Attach the cart leg back right (U) and the cart leg front right (T) to the Cart side brace (G) using four 1/4-20 x 1/2 in. screws (BB) and four 5/32-32 x 3/8 in. screws (AA). Shown in Fig. 3.

Hardware Used

AA 5/32-32 x 3/8 in. Screw  x 4



BB 1/4-20 x 1/2 in. Screw  x 4

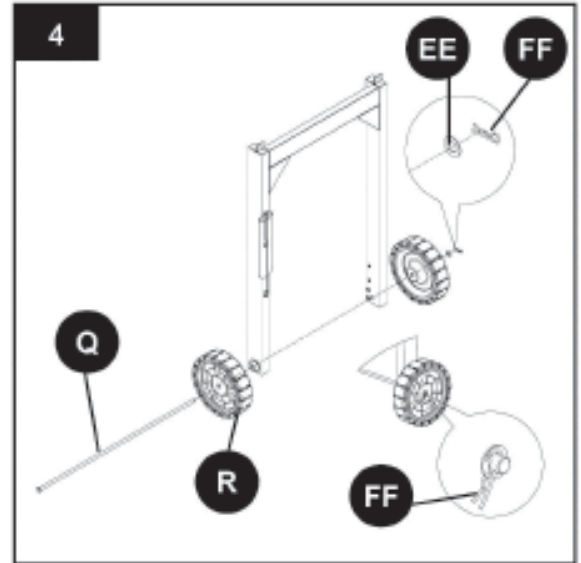


4. Assemble the wheels

Slide the axle (Q) through one wheel (R) and then through the right cart side and then the second wheel (R). Secure in place using the axle washer (EE) and a cotter pin (FF). Shown in Fig. 4.

Hardware Used


EE	Axle washer		x 1
FF	Cotter pin		x 1

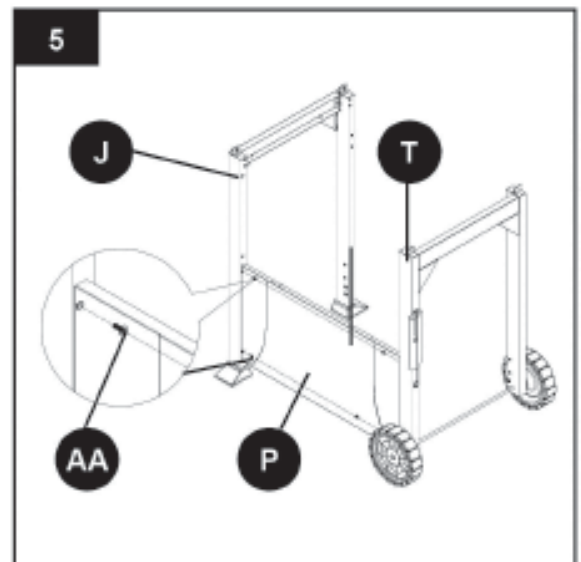


5. Assemble the front cart panel bottom

A. Attach the cart front panel bottom (P) to the left cart side assembly and then to the right cart side assembly using four 5/32-32 x 3/8 in. screws (AA). Shown in Fig. 5.

Hardware Used

AA	5/32-32 x 3/8 in. Screw		x 4
-----------	-------------------------	---	-----




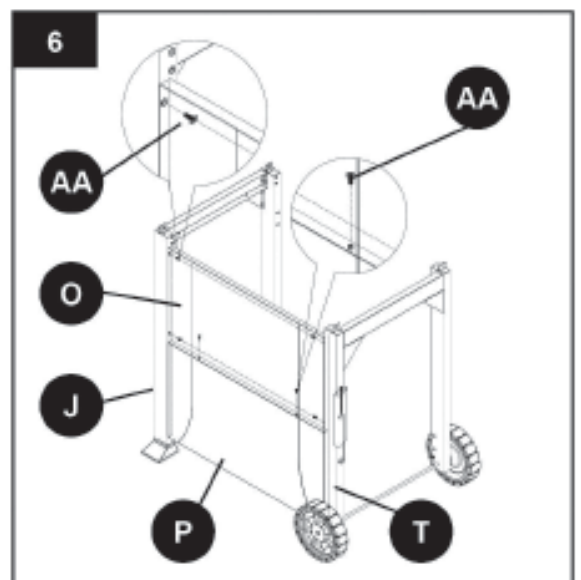
6. Assemble the front cart panel top

B. Attach the cart front panel top (O) to the left cart side assembly and then to the right cart side assembly using four 5/32-32 x 3/8 in. screws (AA). Shown in Fig. 6.

C. Attach the top and bottom cart panels together using two 5/32-32 x 3/8 in. screws (AA). Shown in Fig. 6.

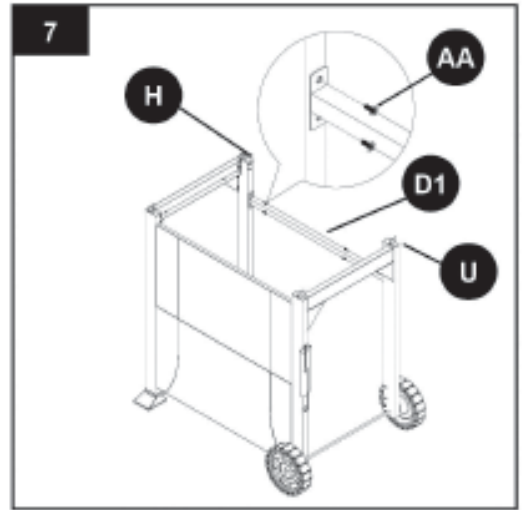
Hardware Used

AA	5/32-32 x 3/8 in. Screw		x 6
-----------	-------------------------	---	-----



7. Assemble the cart back brace

Attach the cart back brace (D1) on to the left cart side assembly and then to the right cart side assembly using four 5/32-32 x 3/8 in. screws (AA). Shown in Fig. 7.



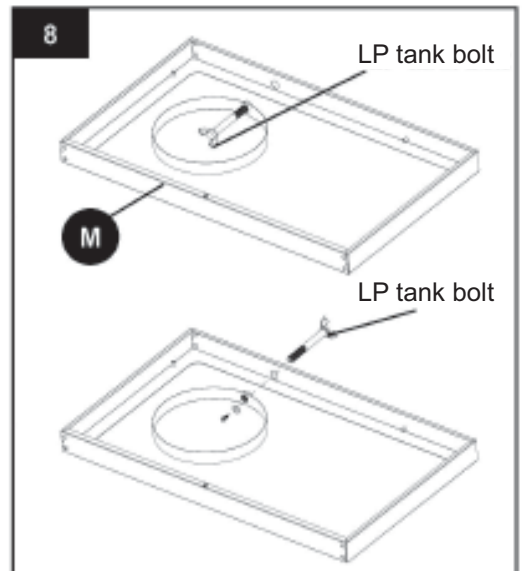
Hardware Used

AA 5/32-32 x 3/8 in. Screw x 4

8. Assemble the LP tank bolt

A. Remove the LP tank bolt from the Cart base (M). Shown in Fig. 8.

B. Reinstall the LP tank bolt as shown in Fig. 8.

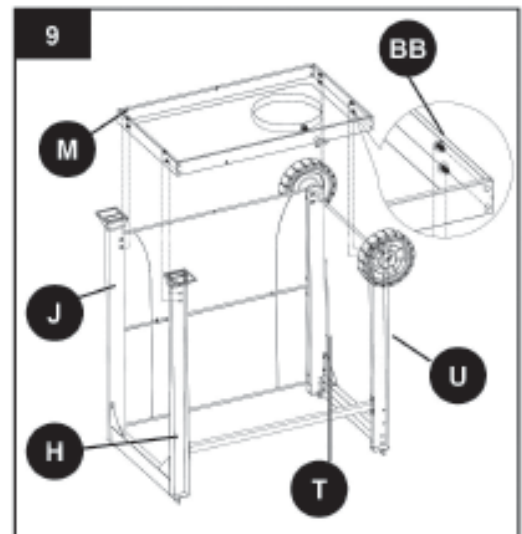


9. Assemble the cart base

Turn the cart assembly upside down and then attach the cart base (M) to the cart assembly using eight 1/4-20 x 1/2 in. screws (BB). Shown in Fig. 9.

Hardware Used

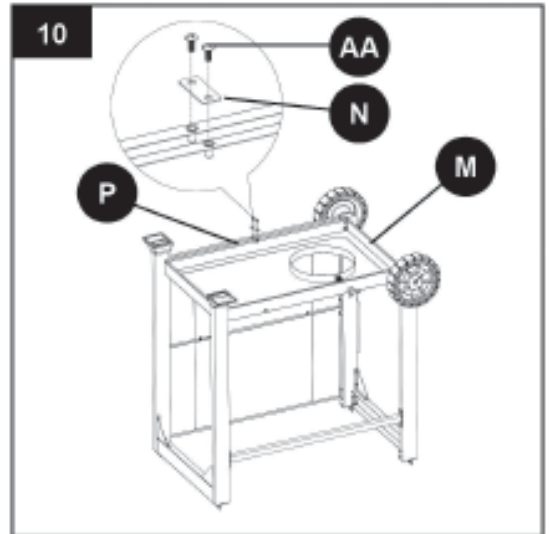
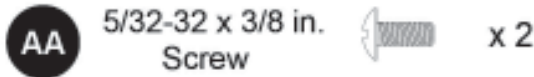
BB 1/4-20 x 1/2 in. Screw x 4



10. Assemble the cart front panel bracket

Attach the cart front panel bracket (N) to the cart base (M) and the cart front panel bottom (P) by using two 5/32-32 x 3/8 in. screws(AA). Show in Fig. 10.

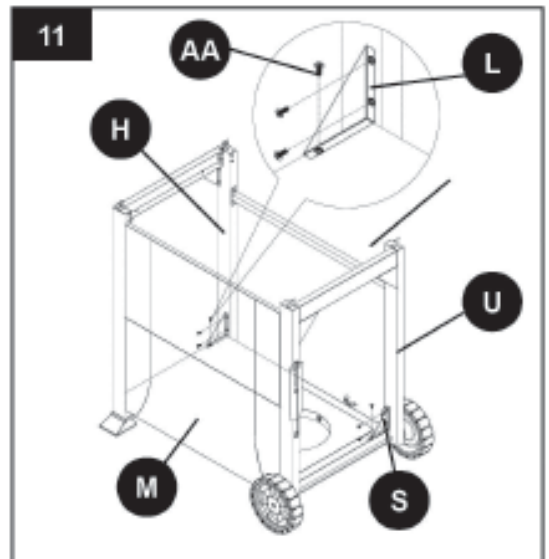
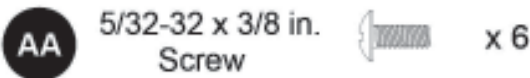
Hardware Used



11. Assemble the corner brace

E. Turn the cart right side up and then attached the corner brace left (L) and the corner brace right (S) to the cart base (M) and back cart legs using three 5/32-32 x 3/8 in. screws (AA). Shown in Fig 11.

Hardware Used

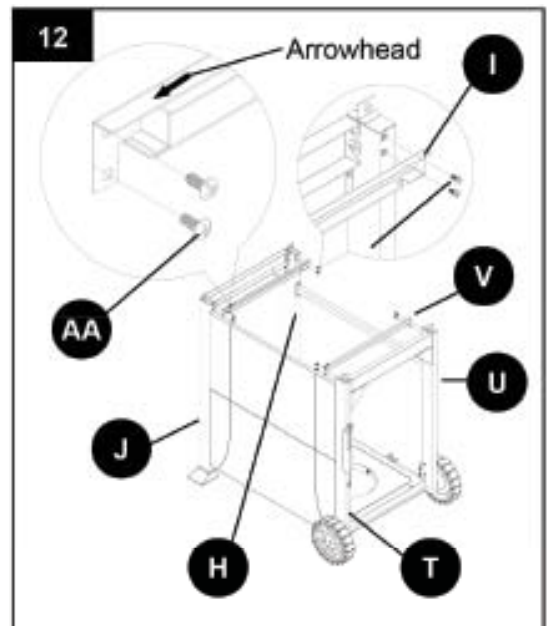


12. Assemble the grease tray brackets

A . Attach the grease tray bracket left(I) to the left front and the left back legs of the cart using four 5/32-32 x 3/8 in. screws (AA). Shown in Fig 12.

B. Repeat to attach the grease tray bracket right (V) to the right front and the right back legs of the cart using four 5/32-32 x 3/8 in. screws (AA).

Hardware Used

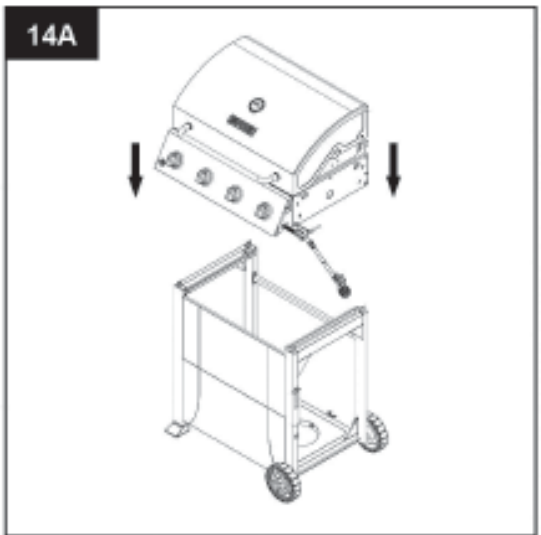
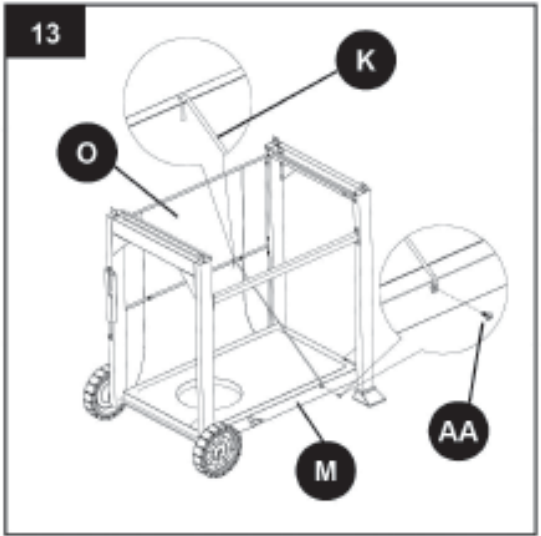


13. Attach the LP tank barrier bar

A. Slide the solid end of the LP tank barrier bar (K) into the hole in the cart front panel. Shown in Fig 13.

B. Attach the other end to the cart base (M) using one 5/32-32 x 3/8 in. screw (AA). Shown in Fig. 13.

Note: Make sure all cart screws are securely tightened before proceeding to the next steps.



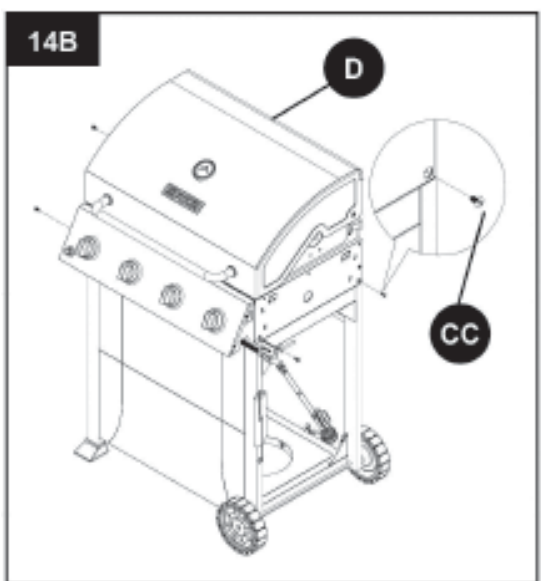
Hardware Used

AA 5/32-32 x 3/8 in. Screw x 1

14. Assemble the grill and cart

A. Have someone help you lift the grill head (D) onto the cart assembly as shown in Fig. 14A.

B. Secure the grill head (D) in place using four 1/4-20 x 3/4 in. screws (CC) as shown in Fig. 14B.



14B

14A

13

Hardware Used

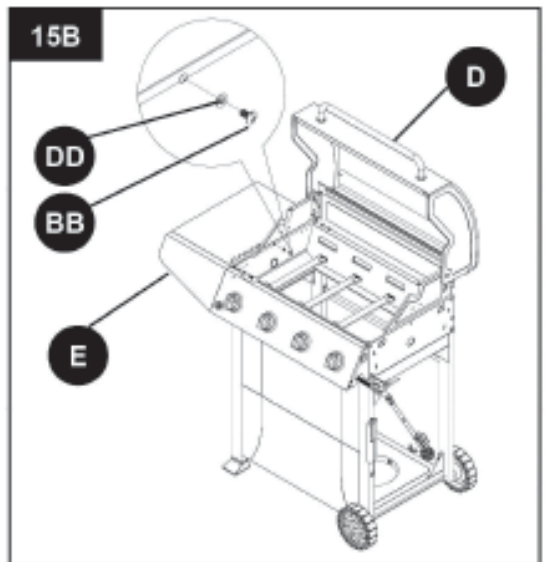
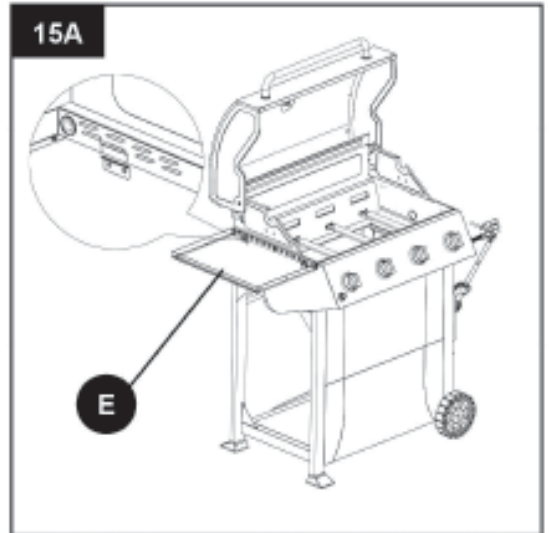
CC 1/4-20 x 3/4 in. Screw x 4

15. Install the left side shelf

A. Hang the left side shelf (E) on the side shelf brackets on the outside of the grill head (D) as shown in Fig. 15A.

B. Attach the shelf using three 1/4-20 x 1/2 in. screws (BB) and three lock washers (DD) through the holes on inside of the grill as shown in Fig. 15B.

Note: DO NOT TIGHTEN THESE SCREWS YET.



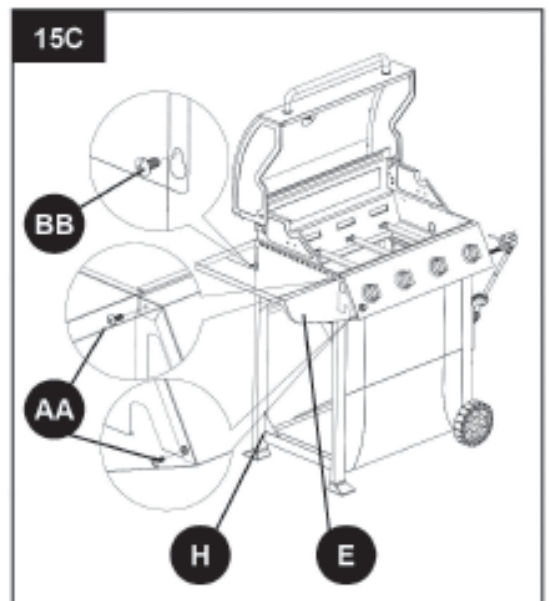
Hardware Used

- BB** 1/4-20 x 1/2 in. Screw  x 3
- DD** Lock washer  x 3

C. Use one 1/4-20 x 1/2 in. screw (BB) to attach the back lower bracket of the side shelf to the left cart leg as shown in Fig. 15C.

D. Use two 5/32-32 x 3/8 in. screws (AA) to attach the front panel of the side shelf to the control panel as shown in Fig. 15C.

Note: Align the side shelf and the control panel and then tighten all of the shelf screws installed in steps 15B and 15C.



Hardware Used

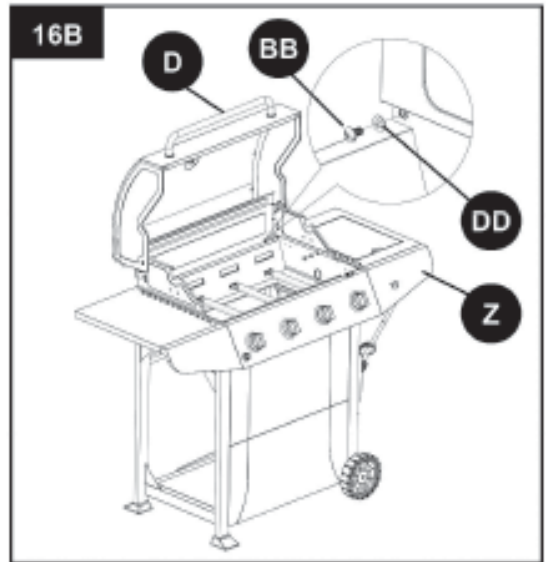
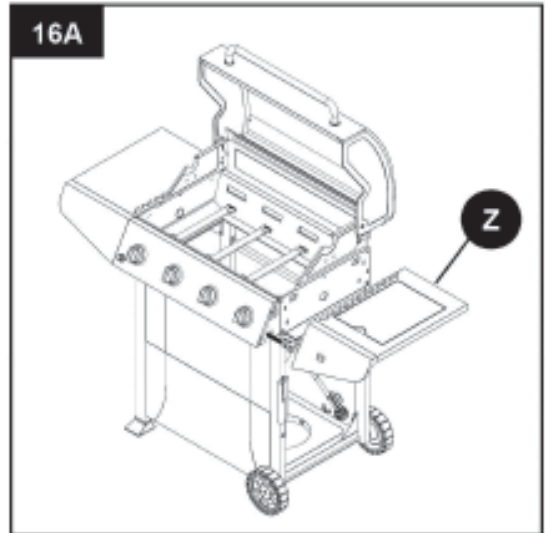
- AA** 5/32-32 x 3/8 in. Screw  x 2
- BB** 1/4-20 x 1/2 in. Screw  x 1

16. Install the side burner shelf

A. Hang the side burner shelf (Z) on the side shelf brackets on the outside of the grill head (D) as shown in Fig. 16A.

B. Attach the side burner shelf (Z) using three 1/4-20 x 1/2 in. screws (BB) and three lock washers (DD) through the holes on inside of the grill as shown in Fig. 16B.

Note: DO NOT TIGHTEN THESE SCREWS YET.



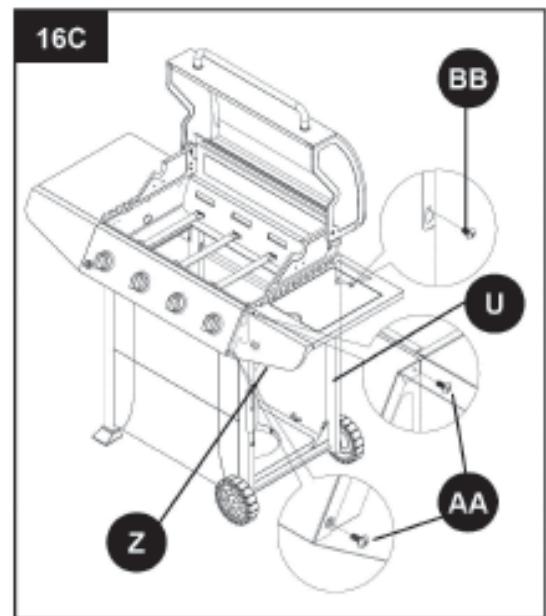
Hardware Used

- BB** 1/4-20 x 1/2 in. Screw  x 3
- DD** Lock washer  x 3

C. Use one 1/4-20 x 1/2 in. screw (BB) to attach the back lower bracket of the side shelf to the right cart leg as shown in Fig. 16C.

D. Use two 5/32-32 x 3/8 in. screws (AA) to attach the front panel of the side shelf to the control panel as shown in Fig. 16C

Note: Align the side burner shelf and the control panel and then tighten all of the shelf screws installed in steps 16B and 16C.



Hardware Used

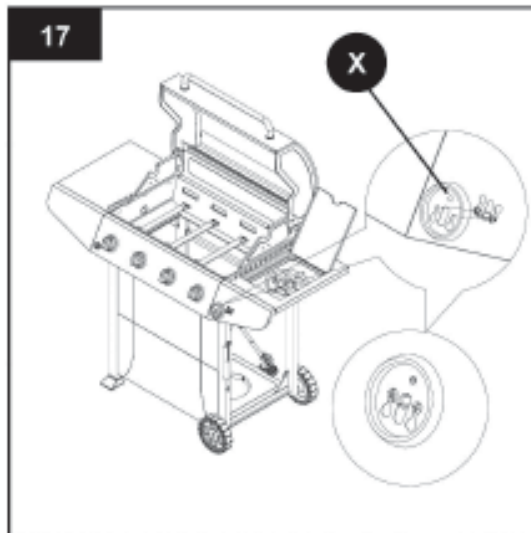
- AA** 5/32-32 x 3/8 in. Screw  x 2
- BB** 1/4-20 x 1/2 in. Screw  x 1

17. Attach the side burner valve

A. Loosen but do not remove the two preinstalled screws from the side burner valve.

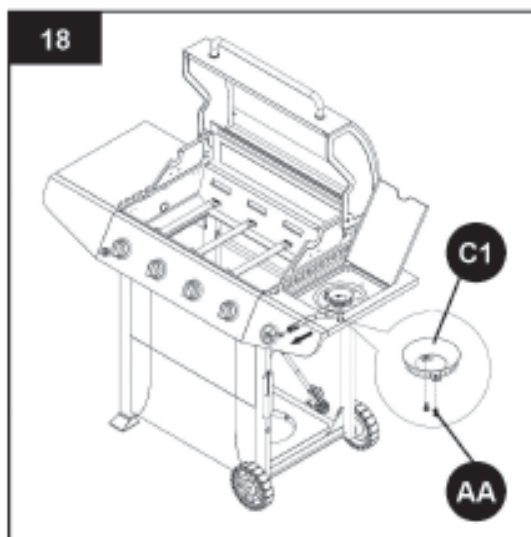
B. Insert the side burner valve screws through the keyhole slots in the front of the side burner shelf and then slide the valve upward so the screws rest in the small section of the keyhole slots.

C. Place the side burner knob bezel (X) keyhole slots over the side burner valve screws. Let the bezel slide down so that the screws rest in the small section of the keyhole slots and then tighten the screws. Shown in Fig. 17.



18. Install the side burner

A. Remove the side burner cooking grate and then insert the side burner (C1) into side burner tray and slide the burner tube over the side burner valve. Secure in place using two 5/32-32 x 3/8 in. screws (AA). Shown in Fig. 13A. Reinstall the side burner cooking grate. Shown in Fig. 18.



Hardware Used

AA 5/32-32 x 3/8 in. Screw x 2

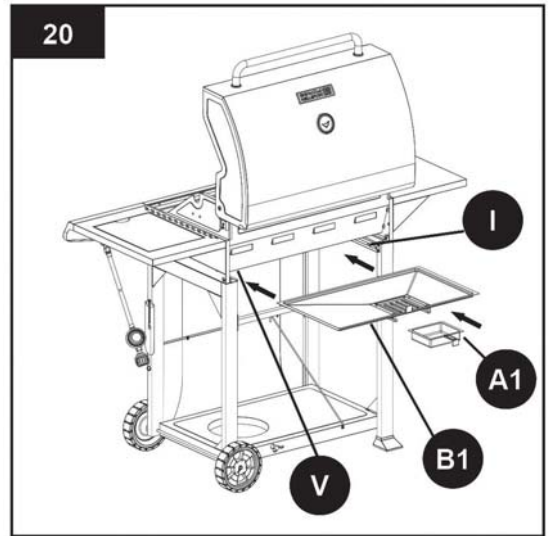
19. Assemble the electronic ignition wire

B. Attach the electronic ignition wire to the side burner electrode located under the side burner shelf as shown in Fig. 19.



20. Install the grease tray and the grease cup

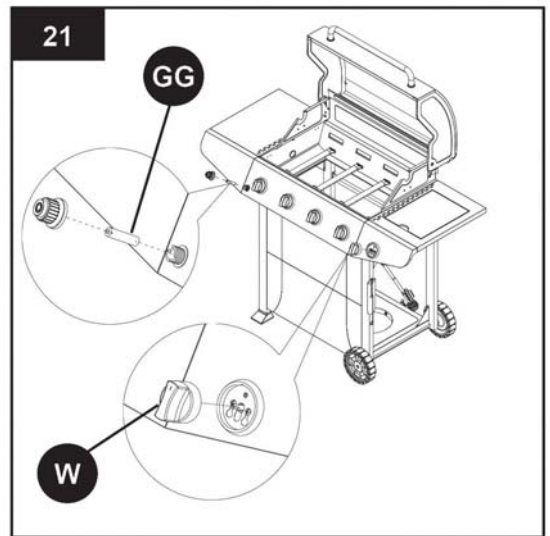
Slide the grease tray (B1) into the grease tray brackets underneath the grill. Then slide the grease cup (A1) into the grease tray as shown in Fig. 20.



21. Install the side burner knob and the battery

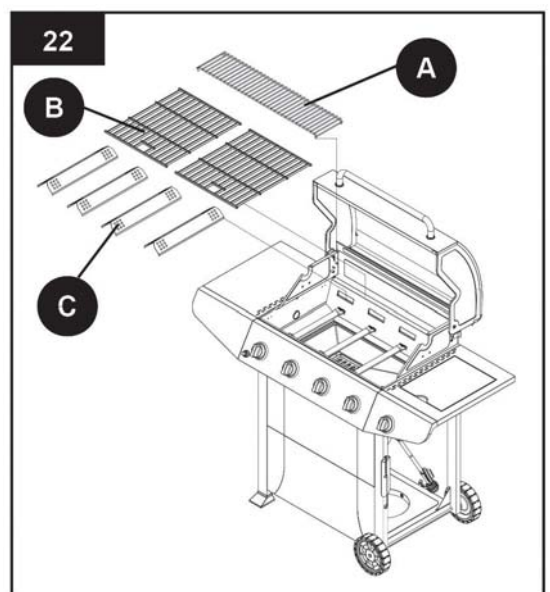
A. Insert the control knob (W) into the side burner valve stem as shown in Fig. 21
B. Unscrew the electronic igniter push button and then insert the AA battery (GG) with the positive (+) end pointing outward. Reinstall in the igniter push button as shown in Fig. 21.

Note: After installing the battery, test the electronic igniter to make sure all burner electrodes are sparking.



22. Install the cooking components

Install the flame tamers (C), cooking grates (B) and warming rack (A) as shown in Fig. 22.



INSTALLATION INTRUCTIONS

For Portable LP-Gas Connection

From front of the cart, place foot ring of 20 lb. tank into the bottom panel. Make sure the tank valve is in OFF position. Use the tank bolt to secure the tank in a fixed position. Use only a 20 lb. gas tank (See LP Gas Safety Requirements on page 24 for additional information). It is unsafe to operate the grill if the gas tank is not vertical, as seen in Fig. 24.

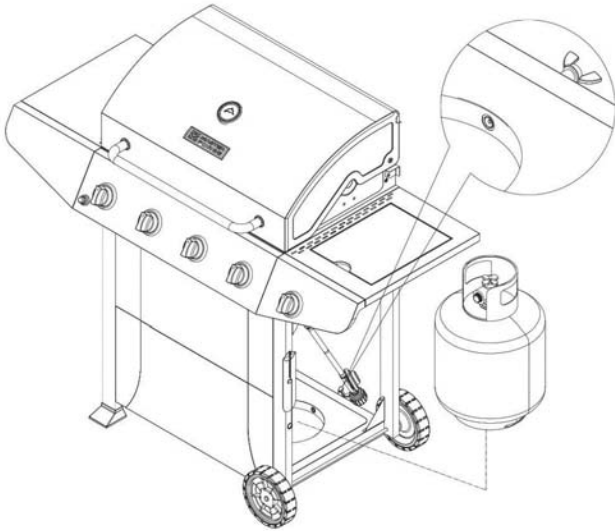


Fig. 23



Fig. 24

WARNING: The Type 1 connective coupling (see Fig. 25) supplied with your grill must not be replaced with a different type of grill/tank connection system. Removal will result in loss of warranty, gas leakage, fire and severe bodily harm.

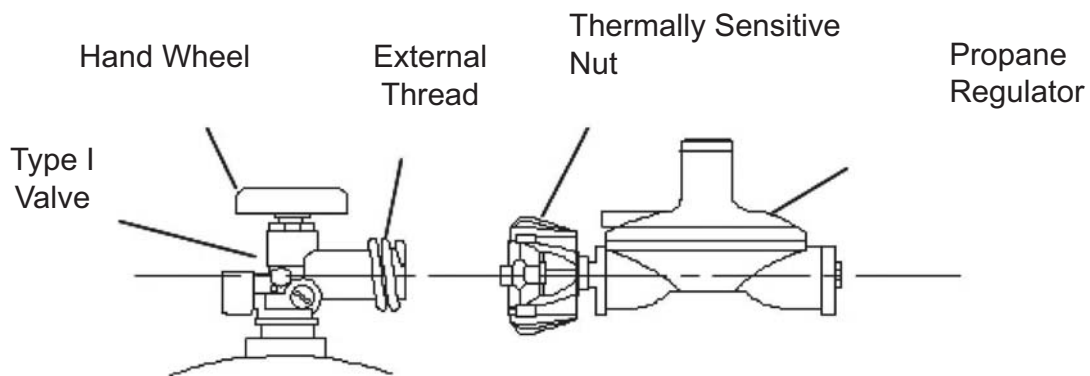


Fig. 25

The propane tank valve connection supplied with this grill incorporates four important safe guards. Hand Assembly, Hand Disassembly, Excess Flow Control and temperature-Activated Shut-Off.

a. Hand Assembly

1. Make certain the tank valve and all the appliance valves are in the "OFF" position.

INSTALLATION INSTRUCTIONS

2. When connecting the regulator/burner valve assembly to the tank valve, turn the large plastic nut clockwise until it stops.
3. Gas will not flow unless the plastic nut is completely connected.
4. HAND TIGHTEN ONLY.

b. Hand Disassembly

1. Make certain the tank valve and all the appliances valves are in the "OFF" position.
2. Turn the large plastic nut counterclockwise until it is disassembled.
3. HAND LOOSEN ONLY.

c. Excess Flow Control

The propane regulator assembly incorporates an excess flow device designed to supply the grill with sufficient gas flow under normal conditions yet control excess gas flow.

Rapid changes in pressure can trigger the excess flow device providing a low flame and low temperature. If the tank valve is turned open to allow gas flow while a burner valve is open, the surge of pressure will cause the device to activate. The device will remain closed until the pressure is equalized. This should occur within 5 seconds.

To ensure this does not cause difficulty in lighting the grill, follow these instructions:

1. Make sure all burner valves are "OFF".
2. Open the tank valve and wait 5 seconds.

d. Temperature-Activated Shut-Off

The large plastic nut on the regulator assembly is designed in coordination with a check valve in the tank valve to shut off the flow of gas when exposed to temperatures between 240-300 F. In the event of a fire or hose break, one of the safeguards will function to control or stop the flow of gas from the propane tank. Never attempt to use damaged equipment.

IMPORTANT: Before using a fresh tank of gas, please check leakage around the connections according to section "Checking Gas Leaks" on page 23 and make sure there is no leakage or vapor accumulation in the cabinet. Make sure all opening around side walls are not blocked.

IMPORTANT: Place dust cap on cylinder valve outlet whenever the cylinder is not in use. Only install the type of dust cap on the cylinder valve outlet that is provided with the cylinder valve. Other types of caps or plugs may result in leakage of propane.

Gas Requirements

The grill is set and tested at the factory for use with LP gas only. The rating plate is located on the inside panel of the left door.

INSTALLATION INSTRUCTIONS

LP Gas

If your grill is for LP gas, the regulator supplied is set for 11 in. water column (WC) and is for use with LP gas only. The factory-supplied regulator and hose must be with a 20 lb. LP gas tank.

LP GAS System

Contact your gas supplier for special regulator for bulk gas that fuels other appliances

Gas Consumption

Total gas consumption of this grill with the burner(s) on "HIGH"

Burner Type	BTU/HR
Main Burners	10,000 x 4
Side Burner	12,000 x 1

Locating the Grill

Clearance to Combustible Construction

⚠ Warning: Do not place grill under overhead, unprotected combustible surfaces.

A minimum clearance of 48 in. from the sides of the grill and a minimum clearance of 48 in. from the back of the grill to adjacent vertical combustible constructions must be maintained.

This gas appliance is designed and certified for outdoor use only. Do not operate the grill inside a building, garage, recreational vehicle, screened porch or any enclosed area. Keep the grill away from windy areas but keep the grill in a well-ventilated area do not obstruct the flow of combustion and ventilation air around the grill.

However, the manufacturer strongly suggests a 6 ft. clearance of the grill to combustible constructions.

Clearance to Noncombustible Construction

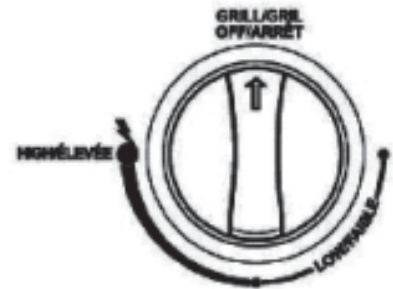
A minimum clearance of 48 in. from the back of the grill above the cooking surface to noncombustible constructions is required to allow the grill hood to open completely. A minimum of 48 in. clearance to the sides of the grill above the cooking surface to noncombustible constructions is recommended. The grill can be installed directly next to noncombustible construction below the cooking surface.

OPERATING INSTRUCTIONS

Grill Lighting Instructions

To Light the Main Burner and the Side Burner

1. Make sure the control knobs are in the "OFF" position.
2. Open the grill hood.
3. Check the ignition pin position and distance between the pin and the burner.
4. Make sure the drip tray is installed.
5. Open the LPG tank or natural gas valve.
6. Light each burner separately. Turning on two burner valves together could trip the flow limiting device in the tank connection (LP grills only).
7. Push the control knob in and turn the knob to the left to "HIGH" position.
8. Push and turn burner control knob to "HIGH" and immediately press and hold electronic igniter.
9. If the burner does not ignite, within 5 seconds immediately turn the control knob back to the "OFF" position. Wait 5 minutes and repeat step 7 two or three times.
10. If the burner still does not ignite, TURN OFF THE GAS. WAIT 5 MINUTES for excess gas to dissipate.
11. If the burner still can't be lit refer to the Troubleshooting section.



Replacing the battery

1. Unscrew the electrical ignition button and remove the old battery.
2. Replace with a new AA battery.

Note: The negative (-) side of the battery goes in first. Please refer to the mark on the side of the cap.

⚠ WARNING:

1. Make sure the hood is completely open each time you attempt to light the grill. Failure to open the hood could lead to delayed ignition resulting in bodily harm.
2. This grill is equipped with a flame observation hole in the side panel.

CAUTION: It is important to inspect the full length of the gas line hose. If it is evident there is excessive abrasion or wear, or the hose is cut, the hose must be replaced prior to the appliance being used.

If required, check your parts list for the proper replacement hose assembly.

OPERATING INSTRUCTIONS

Matching Lighting Instructions

IMPORTANT: The hood must be open when match lighting any burner.

1. Turn on gas supply.
 - a. If portable, at the LP cylinder valve.
 - b. If permanent gas supply, at the manual gas shutoff valve.
2. Locate the flame observation holes on each side.
3. Access the match clip with chain.
4. Attach either the match or paper to the clip (Fig. 26), light the match and insert it close to the ports of the burner, and push and turn the depressed knob to the left to “HIGH” position.

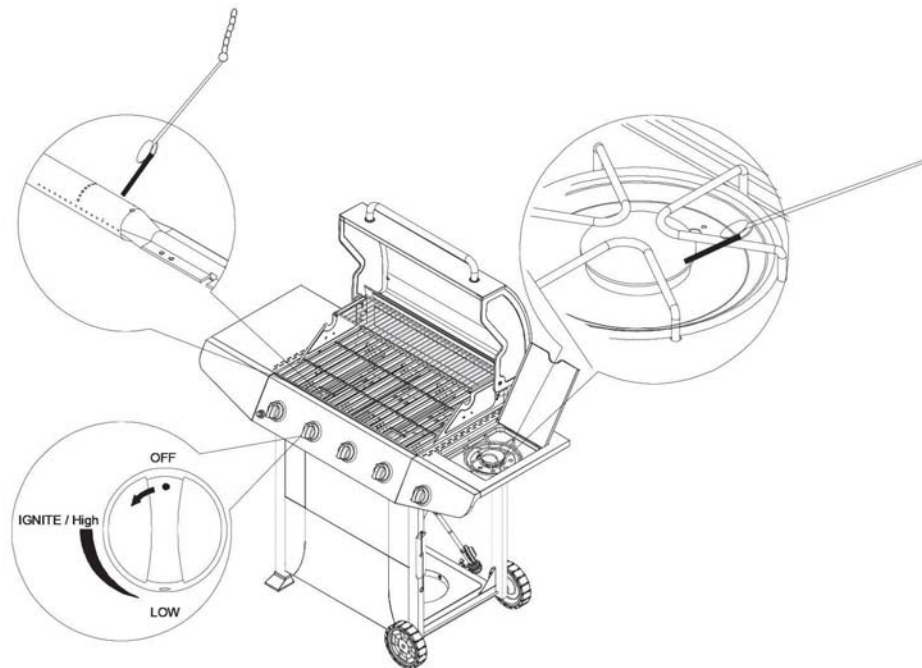


Fig. 26 Match/Paper Lighting Illustration

5. The center burner (if needed) can be lit from center grid by inserting the match clip into the front of the flame tamer. Light this burner before igniting both outside burners.
6. Depress burner valve for that burner and turn to “HIGH”.
7. Observe that the burner has ignited. Remove the match and extinguish.
8. Repeat steps 2-6 for the next burner.

Breaking in Your Grill

When firing your grill for the first time, it is advisable to run the main burner(s) on “HIGH” for 20 minutes with the hood down and then turn the main burners off. This tempers the grill.

OPERATING INSTRUCTIONS

Preheating Grill

It is extremely important that your grill be up to temperature before you begin using it. After lighting, close the hood and preheat the grill on “HIGH” for 15 minutes. This preheating will ensure that the cooking grid and grate are hot enough for proper grilling.

CAUTION: Do not cover the grids during the preheating period.

WARNING: Never leave a grill unattended to guard against possible grease fires getting out of control. Grease fires can be severe and cause grill damage, property damage and bodily harm.

Open or closed hood for grilling

Cooking with the lid open or closed is a matter of personal preference. Cooking with the lid closed is recommended if you enjoy cooking at maximum “searing” temperatures. This method will also produce more “flare up,” speed the cooking procedure and will give you a more robust, smoky, outdoor flavor. If you prefer cooking slower with less flare up, we suggest the lid-open method.

We recommend always cooking with the lid CLOSED if you are in a windy area or colder climate. Your grill has been designed and constructed to give you maximum flexibility and cooking performance. Try different cooking methods on your grill to determine which suits your needs best.

Checking Gas Leaks

Before operating your grill, after refueling, check carefully to be certain that all connections are tight and there are no gas leaks.

1. Make 2-3 ounces of leak solution by mixing liquid dishwashing soap with water.
2. Make certain all control knobs are in the “OFF” position.
3. Brush small amounts of the leak solution on all the fittings and turn the gas on.
4. If bubbles appear, there is a leak. Proceed to step 5.
5. Turn the gas off and tighten all connections.
6. Go back to 1 to retest the fittings.
7. If bubbles continue to appear, turn the gas off. Contact customer service.

⚠ WARNING

Never use a match or open flame for leak detection. Use of an open flame could result in a fire, explosion and bodily harm.

IMPORTANT: When connecting or replacing any gas pipe or fittings, all joints must be sealed with approved leak-proof sealing compound or plumber’s tape.

CARE AND MAINTENANCE

Burner Flame Check



1 in. (2.5cm)

Visually check the burner flames prior to each use. The flames should appear blue. If they do not, refer to the section on cleaning burner tubes and ports. Before cooking on your grill the first time, wash cooking grids and cooking rack with warm, soapy water. Rinse and dry thoroughly. Season with cooking oil regularly. After cooking is completed, turn grill to HIGH setting for 3 to 5 minutes to burn off excess grease or food residue.

⚠ WARNING

Check and clean burner/venturi tubes for insects and insect nests. A clogged tube can lead to a fire beneath the grill.

⚠ WARNING

The LP gas supply cylinder(s) to be used must be:

(a) Constructed and marked in accordance with the Specifications for LP-Gas Cylinders of the U.S. Department of Transportation (D.O.T) or the National Standard of Canada, CAN/CSA-B339, Cylinders, Spheres and Tubes for Transportation of Dangerous Goods; and Commission

(b) Provide with a listed overfilling prevention device.

(c) Provided with a cylinder connection device compatible with the connection for outdoor cooking appliances.

⚠ WARNING: Please remember this is an outdoor gas grill. Many areas of the grill generate extreme heat. We have taken every precaution to protect you from the contact areas. However, it is impossible to isolate all high-temperature areas. Therefore, use good judgment and a certain degree of caution when grilling on this product. We suggest a covered, protected hand during operation of grill. Do not move your grill when it is in operation or hot to the touch. Wait until your unit is turned off and properly cooled down before moving it. Failure to follow this warning could result in personal injury.

Post Heating

To keep the grates free of charred food remains, run the grill on "HIGH" for 15 minutes after cooking is complete and food has been removed.

CAUTION: Do not cover the grill during the post heating period.

After post heating your grill, turn the control knobs to the "OFF" position.

Propane Tank Shut-Off

After the burner box cools down, the propane tank valve should also be closed. If you do not want to wait for the burner box to cool, use a covered hand to turn off the propane tank valve.

CARE AND MAINTENANCE

WARNING

Do not attempt to turn off the LP tank valve without first covering your hand with a protective mitt or allowing the grill to cool down. Failure to follow this warning could result in a severe burn.

LP Gas Safety Requirements

For LP gas grills, the LP gas supply tank to be used must be: Constructed and marked in accordance with the Specifications for LP Gas Tanks of the U.S. Department of Transportation (DOT) or the National Standard of Canada, CAN/CSA-B339 Cylinders, Spheres and Tubes for Transportation of Dangerous Goods; and Commission, as applicable; and Provided with a listed Overfill Prevention Device (OPD).

The tank should be 12 in. in diameter and 18-1/2 in. tall and be equipped with a Type-1 fitting. The tank supply system must be arranged for vapor withdrawal. The tank used must include a collar to protect the cylinder valve.

Do not operate the gas grill indoors or in any enclosed area. If the gas grill is not in use, the gas must be turned off at the supply tank. If the grill is to be stored indoors, disconnect the gas supply tank and store the tank in an upright position in a cool, well-ventilated outdoor location away from your grill or any other heat source.

When checking for gas leaks, do not use an open flame. Use a soapy water solution and apply it to the pipe joints and fittings with a brush and check for bubbles. Check flexible hoses for cuts and wear that may affect the safe operation of the grill. Only the factory supplied hose and regulator must be used. Use only replacement regulator and hose assemblies specified by manufacturer.

LP tank should be securely locked by the safety tank ring at all times. An unlocked tank may fall or tilt which can cause injury or property damage. It is recommended to lock the tank all the time.

After positioning the tank in the opening, lower the safety tank ring to lock the tank. Use only a 20 lb. gas tank.

WARNING

The pressure regulator and hose assembly supplied with the outdoor cooking gas appliance must be used. Replacement pressure regulators and hose assemblies must be those specified by the outdoor cooking gas appliance manufacturer.

CARE AND MAINTENANCE

Handling the Liquid Propane Tank Safely

Remember to handle your portable liquid propane tank carefully when you take it to your dealer for a refill. Avoid dropping it or bumping it against sharp objects. Liquid propane tanks are sturdily constructed, but a series of hard jolts could damage the container.

When transporting the tank to your local propane gas dealer, make sure the valve is closed tightly and the protective cover is in place. Position the tank securely in an upright position so it will not roll around your vehicle.

If you plan to make stops for shopping or errands, have your liquid propane tank filled at the last stop before going home. Again, make certain the refilled tank is secure and in an upright position. When you return home, remove the refilled tank from your vehicle. Never leave a portable liquid tank inside a vehicle that may become overheated by the sun.

Your local liquid propane gas dealer will gladly offer you additional safety tips.

Storing the Liquid Propane Tank Safely

Whether you are between cross-country treks in your recreational vehicle or looking for a place to keep the liquid propane tank to provide fuel for your outdoor grill, keep in mind some basic safety rules about storing portable liquid propane tanks:

Do not store the tanks (whether full or empty) inside your home, the living area of an R.V., a garage, basement or workshop. It is unlikely that liquid propane will leak from the tanks. If it should leak, the fuel could be exposed to sparks from automobiles, power tools or other appliances. When storing or transporting your LP tank, it must remain in an upright position. Never lay your LP tank down on its side whether it is full or empty. Never store a spare tank under or near your grill.

CAUTION: Never transport or move your grill or grill tank without first closing the manual valve on your liquid propane gas tank.

The best place to store a liquid propane tank is in a shady or protected spot outdoors, behind your home or garage, or on a screened porch but where it is out of reach of children. Liquid propane will not evaporate. It is in a strong, closed container. It will not lose any of its clean-burning heat content, even if left outside year-round.

CARE AND MAINTENANCE

⚠ WARNING: When not connected to your grill, the LP gas tank must be stored in an upright position in a cool, shady, well-ventilated, outdoor location away from your grill or any other heat source. Failure to follow this warning could lead to tank valve damage, fire hazard and personal injury.

Refilling a Propane Tank

It is extremely important that your LP tank be filled properly when you take it to be refilled. Be sure to use a reputable LP dealer and observe how the tank is filled and at what capacity. An overfilled LP tank can be dangerous.

The proper way to fill a tank is by weight. The empty tank should be placed on a scale. The scale weights should be readjusted to a weight that would allow up to 80% of the total weight. The filling operation must end once the tank is filled to 80% of its total capacity. If the tank is not completely empty, the scale readjustment must be changed to consider the propane (LP) already in the tank.

⚠ WARNING: An LP (propane) tank is overfilled if it contains more than 80% of its total capacity or propane (LP).

An incorrectly filled or overfilled LP (propane) tank can be dangerous. If a tank is over filled and the weather causes the warming of the LP tank, (a hot day, tank left in sun or stored indoors) internal pressure is created due to expansion of the propane which in turn may cause the LP gas to be released through the pressure relief valve on the tank. The pressure relief valve is a safety device required on 20 lb. propane tanks by the Department of Transportation or the National Standard of Canada, CAN/CSA-B339 Cylinders, Spheres and Tubes for Transportation of Dangerous Goods; and Commission, as applicable, to prevent a catastrophic tank failure due to excessive pressure. LP gas released from the tank is flammable and can be explosive.

IMPORTANT: When connecting or replacing gas pipe or fittings, all joints must be sealed with approved leak-proof sealing compound or plumber's tape. After making connections, check all joints for leaks using a soapy water solution and a brush.

⚠ WARNING: Never use an open flame to test for gas leaks. Use of an open flame could result in a fire, explosion and bodily harm.

Stainless Steel

The gas grill is made of stainless steel. Stainless steel is non-rusting in certain conditions; therefore, a cover and stainless steel cleaner should be used when the grill is not in use.

Wipe with stainless steel cleaner on all non-cooking surfaces once a month.

Never clean the stainless steel when it is hot.

After initial grilling, certain areas of the grill (i.e. the vents, hood and burner box) may discolor. This is a normal discoloration caused by the intense heat from the burners.

CARE AND MAINTENANCE

Specks of grease can gather on the surface of the stainless steel and get baked-on. These can usually be removed with warm soapy water or a stainless steel cleaner. Use light pressure on the pad and always scrub in the direction of the grain. There are many outstanding products that will help clean protect on all non-cooking surfaces.

Do not use steel wool to clean the grill.

Do not use abrasive cleaners on the polished surface. Use caution when cleaning. Metal polish or mild chrome cleaner can be used to bring back luster and highlights. Naval jelly can be used to remove rust stains that occur from outside sources. Follow the naval jelly instructions carefully.

To touch up minor scratches in the stainless steel, sand the affected surface lightly with 160 dry grit emery sand paper in the direction or the grain.

Drip Tray

The drip tray collects excessive grease runoff and fallen food particles.

Allow the tray and its contents to cool before cleaning, slide out the drip tray and then wipe it clean.

Make sure the tray is installed before using the grill.

It is highly recommended that you check the tray regularly to avoid any possibility of a grease fire; however, most of the drippings will vaporize back into the cooked item giving you an outdoor grilled flavor.

Helpful Care and Maintenance Hints

Before grilling, pre-heat grill for 15 minutes on "HIGH" with hood down. To avoid uncontrolled flare-ups or grease fires, grill meats with hood open. Close hood if meats are thick or weather is cold, or if you are using a rotisserie or indirect cooking.

Always protect your hand with a pot mitten or cooking glove when coming into contact with a hot surface.

Hood up when grilling meats, especially chicken. Hood down when indirect or rotisserie cooking.

NEVER leave your grill unattended while cooking.

After use, close hood, turn burners to "HIGH" for 15 min. for self-cleaning grease burn off.

CARE AND MAINTENANCE

Care and Maintenance Time Table Chart

Grill Item	Frequency Based on Normal Use	Cleaning Method
Painted surface	Twice yearly	Car wax
Stainless surface	Twice yearly	Stainless cleaner
All grates	After each use	Burn off and wipe
Stainless grates	15 days	Wire brush/Dishwasher safe
Porcelain grates	15 days	Scrub pad soapy water/ Dishwasher safe
Burner heat tents	30 days	Wire brush
Burners	90 days	Wire brush
Burner box interior	120 days	Interior grill cleaning products

Gauging amount of LP fuel

To gauge the amount of propane fuel in your gas tank, the grill must be in operation. Place your hand at the top of the tank and slowly move down the side until the tank feels cool to the touch. This will indicate the approximate amount of propane gas in your tank; if $\frac{3}{4}$ empty, refill.

Do not use charcoal briquettes or any flammable material with your grill. Use of such material will void your warranty and may lead to a fire, explosion and bodily harm.

Many solutions given here can make your grilling experience safer and more enjoyable. You can also call the customer service department at **1-800-963-0211**, 8 a.m.- 6 p.m., EST, Monday - Thursday, 8 a.m.- 5 p.m., EST, Friday.

TROUBLESHOOTING

PROBLEM	POSSIBLE CAUSE	CORRECTIVE ACTION
Grill or side cooker will not light.	<ol style="list-style-type: none"> 1. The ignition wire came off the electrical igniter/valve. 2. The distance between the ignition pin and the burner is greater than 5/32 in.-3/16 in. (side burner). 3. The ignition wire is broken. 4. The battery died. 5. The battery is in the wrong polarity. 6. The electrode tip does not produce sparks at the burner port. 7. No gas supplied. 8. Air shutter opening is too big. 	<ol style="list-style-type: none"> 1. Reconnect the ignition wire to the electrical igniter/valve. 2. Loosen the ignition pin and adjust the distance, then fasten it again. 3. Call customer service for a replacement ignition wire. 4. Install a new AA battery. 5. Change the battery polarity. 6. Reinstall the electrode. 7. Turn on the regulator valve. 8. Loosen the air shutter and adjust the opening to a smaller size.
Burner flame is yellow and gas odor can be smelled.	<ol style="list-style-type: none"> 1. Spiders or insects block air shutter. 	<ol style="list-style-type: none"> 1. Clean blockages, check for the source of gas leaks.
Excessive flare-up	<ol style="list-style-type: none"> 1. Grilling fatty meats. 2. Knobs on "HIGH". 3. Spray water on gas flames. 4. Hood closed when grilling. 	<ol style="list-style-type: none"> 1. Grill fatty meats when the grids are cold while the knobs are on the "LOW" setting. Move the meats to the warming rack if flare up continues until flame settles down. 2. Before you are ready to grill, turn the knobs to the "OFF". 3. Never spray water on gas flames. 4. Hood up when grilling.
Burner blows out	<ol style="list-style-type: none"> 1. LP tank is empty. 2. Burner is not aligned with the control valve. 3. Gas supply is not sufficient. 	<ol style="list-style-type: none"> 1. Refill the LP Tank. 2. Install the burner correctly. 3. Check the gas supply hose and make sure there are no leaks and no knots.

TROUBLESHOOTING

PROBLEM	POSSIBLE CAUSE	CORRECTIVE ACTION
Low heat with the knob in "HIGH" position.	<ol style="list-style-type: none">1. Ports are blocked.2. LP tank has run out.	<ol style="list-style-type: none">1. Clear ports of any obstructions.2. Refill the LP tank.
Low heat, LP gas.	The Propane regulator assembly incorporates an excess flow device designed to supply the grill with sufficient gas flow. Rapid changes in pressure can trigger the excess flow device, providing a low flame and low temperature.	Please follow these instructions: <ol style="list-style-type: none">1. Make sure all burners are "OFF".2. Open the tank valve and wait 5 minutes.3. Light the burner one at a time following the lighting instructions listed on the door liner and on Page 22.

WARRANTY

Proof of purchase is required to access this warranty program, which is in effect from the date of purchase. Customers will be subject to parts, shipping, and handling fees if unable to provide proof of purchase or after the warranty has expired.

If you have any questions or problems, you can call our customer service department at **1-800-963-0211**, 8 a.m. - 6 p.m., EST, Monday - Thursday, 8 a.m. – 5 p.m., EST, Friday.

Limited Warranty

5-Year Warranty on stainless steel burners.

1-Year Warranty on all parts affecting the operation of the gas grill due to damage.

Warranty Provisions:

This warranty is non-transferable and does not cover failures due to misuse or improper installation or maintenance.

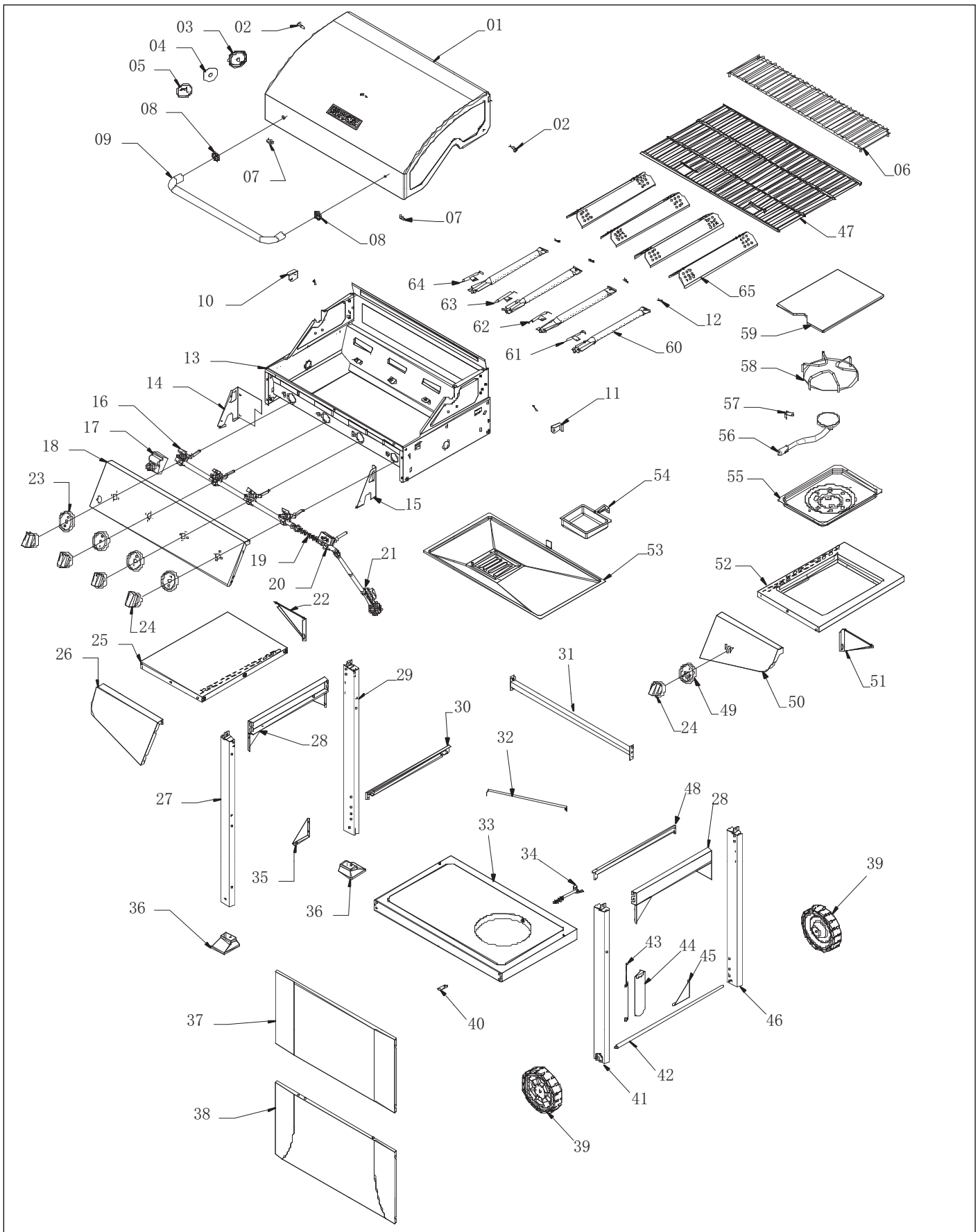
This warranty is for replacement of defective parts only. We are not responsible for incidental or consequential damages or labor costs.

This warranty does not cover corrosion or discoloration after the grill is used, or lack of maintenance, hostile environment, accidents, alterations, abuse or neglect.

This warranty does not cover damage caused by heat, abrasive and chemical cleaners, or any damage to other components used in the installation or operation of the gas grill.

Some states do not allow the limitation or exclusion of incidental or consequential damages, so the above limitations or exclusions may not apply to you. This warranty gives you specific legal rights, and you may also have other rights that vary from state to state.

EXPLODED VIEW



REPLACEMENT PARTS LIST

PART	DESCRIPTION	QTY.	PART	DESCRIPTION	QTY.
1	GRILL HOOD	1	24	KNOB	5
2	HOOD HINGE SCREW	2	25	LEFT SIDE SHELF	1
3	TEMPERATURE GAUGE BEZEL	1	26	LEFT SIDE SHELF FRONT	1
4	TEMPERATURE GAUGE HEAT INSULATING SPACER	1	27	CART LEG FRONT LEFT	1
5	TEMPERATURE GAUGE	1	28	CART SIDE BRACE	2
6	WARMING RACK	1	29	CART LEG BACK LEFT	1
7	HOOD BUMPER	2	30	GREASE TRAY BRACKET LEFT	1
8	HOOD HANDLE BEZEL	2	31	CART BACK BRACE	1
9	HOOD HANDLE	1	32	LP TANK BARRIER BAR	1
10	HOOD STOP LEFT	1	33	CART BASE	1
11	HOOD STOP RIGHT	1	34	LP TANK BOLT	1
12	COTTER PIN	4	35	CORNER BRACE LEFT	1
13	FIREBOX	1	36	CART LEG FOOT	2
14	CONTROL PANEL BRACKET LEFT	1	37	CART FRONT PANEL TOP	1
15	CONTROL PANEL BRACKET RIGHT	1	38	CART FRONT PANEL BOTTOM	1
16	MAIN GAS MANIFOLD ASSEMBLY	1	39	WHEEL	2
17	ELECTRONIC IGNITER	1	40	CART FRONT PANEL BRACKET	1
18	CONTROL PANEL	1	41	CART LEG FRONT RIGHT	1
19	SIDE BURNER HOSE	1	42	AXLE	1
20	SIDE BURNER VALVE	1	43	MATCH LIGHT TOOL	1
21	LP REGULATOR	1	44	MATCH LIGHT HOLDER	1
22	SIDE SHELF BRACKET LEFT	1	45	CORNER BRACE RIGHT	1
23	KNOB BEZEL	4	46	CART LEG BACK RIGHT	1

REPLACEMENT PARTS LIST

PART	DESCRIPTION	QTY.	PART	DESCRIPTION	QTY.
47	COOKING GRATE	2	60	MAIN BURNER	4
48	GREASE TRAY BRACKET RIGHT	1	61	MAIN BURNER ELECTRODE A	1
49	SIDE BURNER KNOB BEZEL	1	62	MAIN BURNER ELECTRODE B	1
50	SIDE BURNER CONTROL PANEL	1	63	MAIN BURNER ELECTRODE C	1
51	SIDE SHELF BRACKET RIGHT	1	64	MAIN BURNER ELECTRODE D	1
52	RIGHT SIDE SHELF	1	65	FLAME TAMER	4
53	GREASE TRAY	1	66	AA 5/32-32 X 3/8 in. SCREW	49
54	GREASE CUP	1	67	BB 1/4-20 X 1/2 in. SCREW	24
55	SIDE BURNER TRAY	1	68	CC 1/4-20 X 3/4 in. SCREW	4
56	SIDE BURNER	1	69	DD LOCK WASHER	6
57	SIDE BURNER ELECTRODE	1	70	EE AXLE WASHER	1
58	SIDE BURNER COOKING GRATE	1	71	FF COTTER PIN	3
59	SIDE BURNER LID	1	72	GG AA BATTERY	1

Master Forge & M Design® is a registered trademark of LF, LLC. All rights reserved.

Printed in China



Master Forge y el diseño de la M son marcas registradas de LF, LLC. Todos los derechos reservados.

ARTÍCULO #0503231

PARILLA DE 4 QUEMADORES CON QUEMADOR LATERAL

MODELO #RT2417S

English p. 1

⚠️ ADVERTENCIA

La instalación, ajuste, alteración, servicio o mantenimiento inadecuados pueden causar lesiones o daños materiales. Lea este manual de instrucciones detenidamente antes de instalar o dar servicio a este equipo.

⚠️ ADVERTENCIA

1. No almacene ni use gasolina u otros líquidos o vapores inflamables cerca de este o de ningún otro electrodoméstico.
2. Un tanque de propano líquido que no esté conectado para usar no debe guardarse cerca de este ni de ningún otro electrodoméstico.

⚠️ PELIGRO

Si siente olor a gas:

1. Apague la entrada de gas a la parrilla.
2. Apague cualquier llama.
3. Cierre la tapa.
4. Si el olor persiste, manténgase lejos de la parrilla y llame inmediatamente al proveedor del gas o al departamento de bomberos.

⚠️ ADVERTENCIA

Para uso en exteriores solamente.

ADJUNTE AQUÍ SU RECIBO

Número de serie _____

Fecha de compra _____



¿Preguntas, problemas, piezas faltantes? Antes de volver a la tienda, comuníquese con nuestro departamento de servicio al cliente al **1-800-963-0211**, entre 8:00 a.m. y 6:00 p.m., hora estándar del este, de lunes a jueves y entre 8:00 a.m. y 5:00 p.m., hora estándar del este, el viernes.

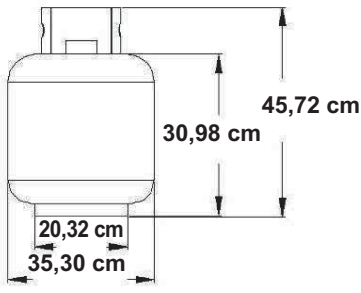


TABLA DE CONTENIDO

Información de seguridad	38
Contenido del paquete	41
Aditamentos.	42
Preparación	42
Instrucciones para el ensamblaje	43
Instrucciones para la instalación	53
Instrucciones de uso	56
Cuidado y mantenimiento	59
Detección de a problemas	65
Garantía	67
Vista ampliada	68
Lista de piezas de repuesto	69

⚠ INFORMACIÓN DE SEGURIDAD


Por favor, lea y entienda este manual en su totalidad antes de intentar ensamblar, instalar o usar este producto. Si tiene alguna pregunta sobre este producto, por favor, llame al departamento de servicio al cliente al 1-800-963-0211, entre 8:00 a.m. y 6:00 p.m., hora estándar del este, de lunes a jueves, y entre 8:00 a.m. y 5:00 p.m., hora estándar del este, los viernes.


1. La instalación de este aparato debe cumplir con los códigos locales o, en ausencia de códigos locales, con el Código Nacional de Gas Combustible, ANSI Z223.1/NFPA 54 o con el Código de Instalación de Gas Natural y Propano, CSA/CGA-B149.1.
2. Esta parrilla está diseñada para ser usada en exteriores y no debe ser usada en edificios, garajes ni en ningún lugar cerrado ni cubierto.
3. Esta parrilla para exteriores no está diseñada para ser instalada en vehículos de recreo ni en botes.
4. Se debe mantener un espacio mínimo de 121,92 cm entre los lados de la parrilla y cualquier construcción combustible y un mínimo de 121,92 cm entre la parte posterior y cualquier construcción combustible. Esta parrilla a gas para exteriores no debe ser colocada bajo un techo combustible.
5. El uso de una fuente de energía eléctrica requiere que una vez instalada, la parrilla debe estar conectada a tierra de acuerdo con los códigos locales o, en ausencia de códigos locales, con el ANSI/NFPA 70 o con el Código Eléctrico Canadiense, CSA C22.1. Mantenga los cables de suministro eléctrico y la manguera de suministro de combustible alejados de superficies calientes.
6. Inspeccione las mangueras antes de cada uso para detectar abrasión, desgaste excesivo o cortes que puedan afectar el funcionamiento seguro de la parrilla. Si hay evidencia de abrasión, desgaste excesivo o si la manguera ha sido cortada, debe reemplazar la manguera antes de usar la parrilla. El juego de mangueras de repuesto debe ser el especificado por el fabricante.
7. Mantenga su parrilla en un área despejada y libre de materiales combustibles, gasolina y otros vapores y líquidos inflamables.
8. NO OBSTRUYA el flujo de combustión y ventilación de aire hacia esta parrilla.
9. Mantenga limpia las aberturas de ventilación del depósito del tanque.
10. Revise todas las conexiones en busca de fugas con una solución de agua jabonosa y un cepillo. Nunca use una llama abierta para buscar fugas.
11. Nunca use carbón en la parrilla.
12. Nunca use la parrilla en lugares con mucho viento.
13. Use solamente un cilindro de gas propano líquido de 20 lbs. El cilindro debe estar construido y marcado de acuerdo con las especificaciones para cilindros de propano líquido del Departamento de Transporte de EE.UU. (DOT) o de la Asociación Canadiense de Normas, CAN/CSA-B339, cilindros, esferas y tubos para el transporte de mercancías peligrosas; y Comisión. Las dimensiones de un cilindro de gas de propano líquido son:

14. Nunca use la parrilla sin la bandeja de goteo instalada y colocada debajo de la caja del quemador. Sin la bandeja de goteo, la grasa caliente y otros desechos se pueden caer y producir un incendio.
15. Use solamente el regulador de presión de gas que viene con esta parrilla. Este regulador está ajustado para una presión de salida de 11,0 wc.
16. El cilindro que use debe incluir un collar para proteger la válvula del cilindro.

INFORMACIÓN DE SEGURIDAD

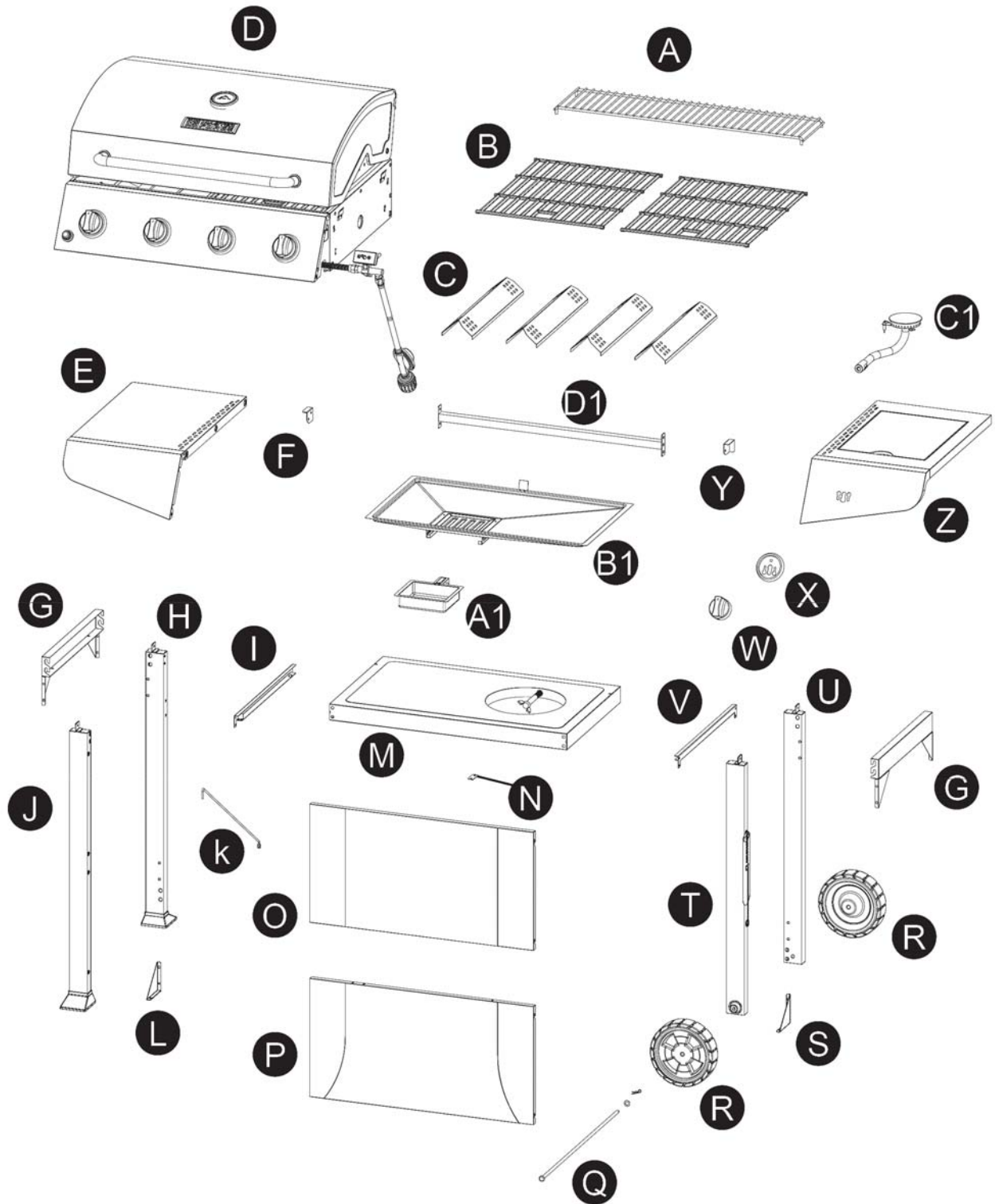
17. No guarde un cilindro de repuesto de gas propano líquido debajo o cerca de esta parrilla.
18. Nunca llene el cilindro más del 80% de su capacidad.
19. Si las instrucciones del No. 17 y del No. 18 no se siguen exactamente, puede ocurrir un fuego y causar graves lesiones o la muerte.
20. La parrilla de gas natural y su válvula de cierre individual deben estar desconectadas del sistema de tuberías de suministro de gas durante cualquier prueba de presión del sistema a presiones superiores a 0,5 PSI (3,5 KPa).
21. La parrilla a gas para cocinar en exteriores se debe aislar del sistema de tuberías de suministro de gas cerrando su válvula de cierre manual individual durante cualquier prueba de presión del sistema de suministro de gas a presiones iguales o inferiores a 1/2 PSI (3,5 kPa).
22. **ADVERTENCIA DE LA PROPUESTA 65 DE CALIFORNIA:** El quemar combustible para cocinar a gas genera algunos subproductos que se encuentran en la lista de sustancias conocidas por el estado de California como causantes de cánceres, daños al sistema reproductivo u otros defectos congénitos. Para reducir la exposición a estas sustancias, siempre opere esta unidad de acuerdo con las instrucciones del manual de uso y cuidado, asegúrese de que exista una buena ventilación cuando cocine con gas.

IMPORTANTE: Le rogamos que lea atentamente este manual y siga las recomendaciones adjuntas. Esto asegurará que usted disfrutará de la forma más agradable y sin problemas de su nueva parrilla a gas. También le aconsejamos que guarde este manual para futura referencia.

 **ADVERTENCIA:** Su parrilla ha sido diseñada para funcionar usando únicamente el gas especificado por el fabricante en la placa de calificaciones. No trate de usar la parrilla con otros gases. El incumplimiento de esta advertencia puede provocar un riesgo de incendio y lesiones corporales y anulará la garantía.

 **ADVERTENCIA:** Asegúrese de que el tanque de gas de propano líquido lo llene un distribuidor de propano de reputación. Un tanque mal llenado o llenado en exceso puede ser peligroso. Un tanque sobrellenado combinado con el calentamiento del tanque de gas (un caluroso día de verano, un tanque mantenido bajo el sol, etc.) puede causar que el gas propano líquido se escape por la válvula reguladora de presión ya que el aumento de temperatura hace que el propano se expanda. El gas propano líquido que sale del tanque es inflamable y puede ser explosivo. Consulte el manual del propietario para obtener más información sobre cómo llenar su tanque de gas.

CONTENIDO DEL PAQUETE



CONTENIDO DEL PAQUETE

PIEZA	DESCRIPCIÓN	CANTIDAD	PIEZA	DESCRIPCIÓN	CANTIDAD
A	Parrilla para calentar	1	P	Parte inferior del panel delantero del carro	1
B	Parrilla de cocción	2	Q	Eje	1
C	Difusor de llama	4	R	Rueda	2
D	Tapa de la parrilla	1	S	Refuerzo esquinero derecho	1
E	Repisa izquierda	1	T	Pata delantera derecha del carro	1
F	Tope izquierdo para la tapa	1	U	Pata trasera derecha del carro	1
G	Refuerzo izquierdo del carro	2	V	Soporte derecho de la bandeja de goteo	1
H	Pata izquierda trasera del carro	1	W	Perilla de control	1
I	Soporte izquierdo de la bandeja de goteo	1	X	Moldura de la perilla del quemador lateral	1
J	Pata izquierda delantera del carro	1	Y	Tope derecho de la tapa	1
K	Barra de protección del tanque de propano líquido	1	Z	Repisa del quemador lateral	1
L	Refuerzo esquinero izquierdo	1	A1	Taza de goteo	1
M	Base del carro	1	B1	Bandeja de goteo	1
N	Soporte del panel delantero del carro	1	C1	Quemador lateral	1
O	Tapa del panel delantero del carro	1	D1	Refuerzo trasero del carro	1

HERRAJES

AA



Tornillos de
5/32-32 x 3/8 pulg.
Cantidad: 49

BB



Tornillos de
1/4-20 x 1/2 pulg.
Cantidad: 24

CC



Tornillos de
1/4-20 x 3/4 pulg.
Cantidad: 4

DD



Arandela
de presión.
Cantidad: 6

EE



Arandela del eje.
Cantidad: 1

FF



Pasador de
retención
Cantidad: 3

GG



Batería AA.
Cantidad: 1

PREPARACIÓN

Antes de empezar a ensamblar la parrilla, asegúrese de que todas las partes estén completas. Compare las piezas con la lista de contenido del paquete y de los aditamentos. Si alguna pieza falta o está dañada, no intente ensamblar el producto.

Tiempo aproximado para el ensamblaje: 40 minutos para dos personas

Herramientas necesarias para el ensamblaje: Destornillador Phillips (no esta incluido).

INSTRUCCIONES PARA EL ENSAMBLAJE

1. Ensamble la tapa de la parrilla.


A. Quite los tornillos de la bisagra de la tapa para separarla de la parte superior de la tapa de la parrilla (D), luego quite la tapa separándola de la parte superior y póngala a un lado. Como se muestra en la Fig. 1A.

Nota: NO ABRA LA TAPA ANTES DE COMPLETAR EL PASO A.

B. Quite todas las piezas del interior de la tapa de la parrilla.

C. Fije el tope izquierdo de la tapa (F) y el tope derecho (Y) a la parte superior de la parrilla (D) usando cuatro tornillos 5/32-32 x 3/8 pulg. (AA). Como se muestra en la Fig. 1B.

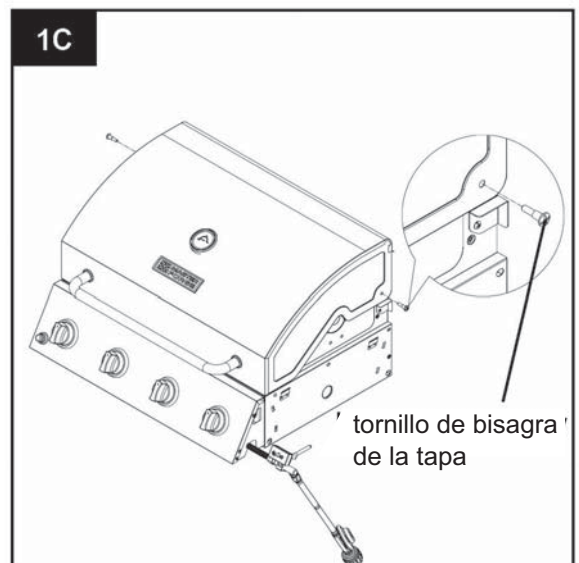
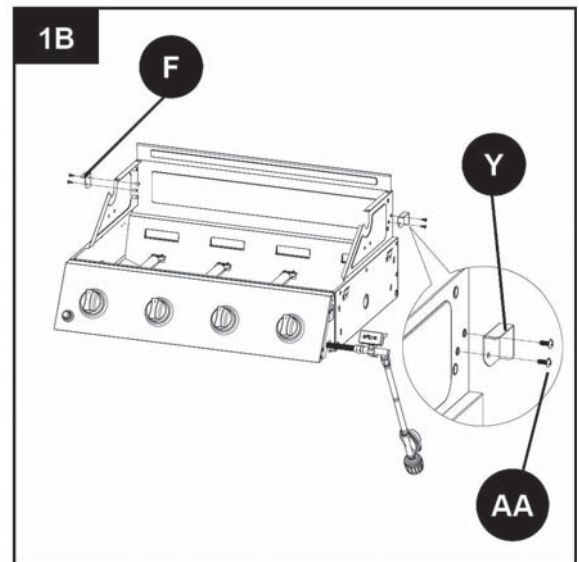
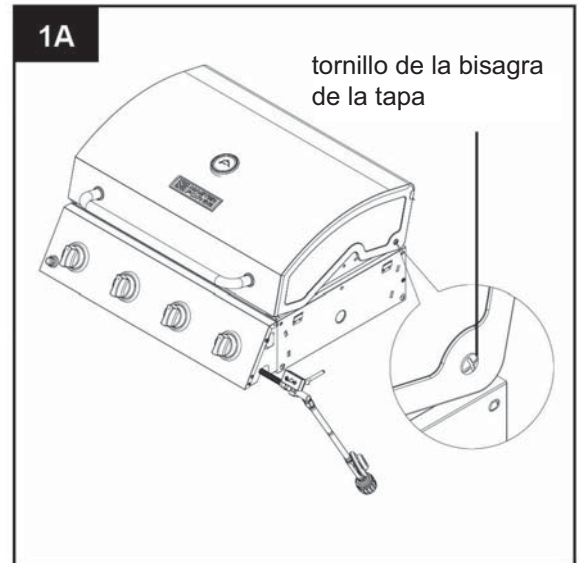
Aditamentos usados

AA Tornillos 5/32-32 x 3/8 pulg.  x 4

D. Vuelva a instalar la tapa a la parte superior de la parrilla (D) sobre los topes de la tapa usando los dos tornillos de bisagras de la tapa que quitó anteriormente.

Como se muestra en la Fig. 1C.

Nota: La tapa se vuelve a instalar a un nivel más elevado del que tenía. La posición más baja se usó para propósitos de envío solamente.

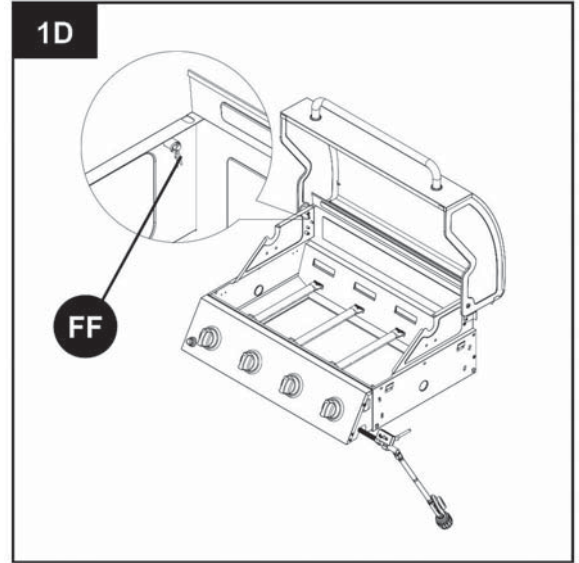


E. Abra la tapa y luego asegure los tornillos de la bisagra de la tapa en su lugar usando dos pasadores de retención (FF). Como se muestra en la Fig. 1D.

Nota: Coloque la parrilla y la tapa ensamblada a un lado y luego continúe con los siguientes pasos.

Aditamentos usados

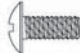
FF Pasador de retención  x 2

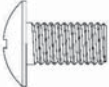


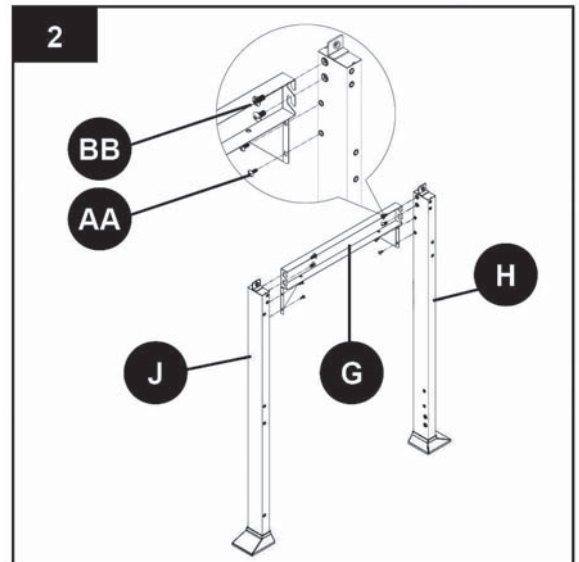
2 Ensamble el lado izquierdo del carro

Fije la pata izquierda trasera del carro (H) y la pata izquierda delantera (J) al refuerzo lateral del carro (G) usando cuatro tornillos 1/4-20 x 1/2 pulg. (BB) y cuatro tornillos 5/32-32 x 3/8 pulg. (AA). Como se muestra en la Fig. 2.

Aditamentos usados

AA Tornillos 5/32-32 x 3/8 pulg.  x 4


BB Tornillos 1/4-20 x 1/2 pulg.  x 4

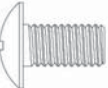


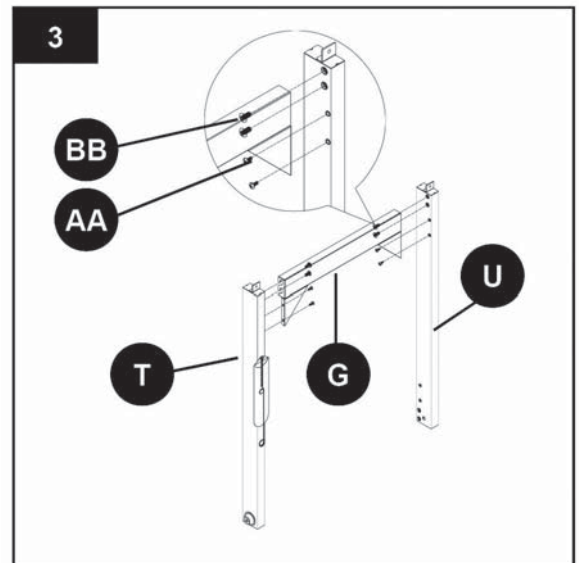
3 Ensamble el lado derecho del carro

A. Fije la pata derecha trasera del carro (U) y la pata derecha frontal (T) al refuerzo lateral del carro (G) usando cuatro tornillos 1/4-20 x 1/2 pulg. (BB) y cuatro tornillos 5/32-32 x 3/8 pulg. (AA). Como se muestra en la Fig. 3.

Herrajes usados

AA Tornillos 5/32-32 x 3/8 pulg.  x 4



BB Tornillos 1/4-20 x 1/2 pulg.  x 4

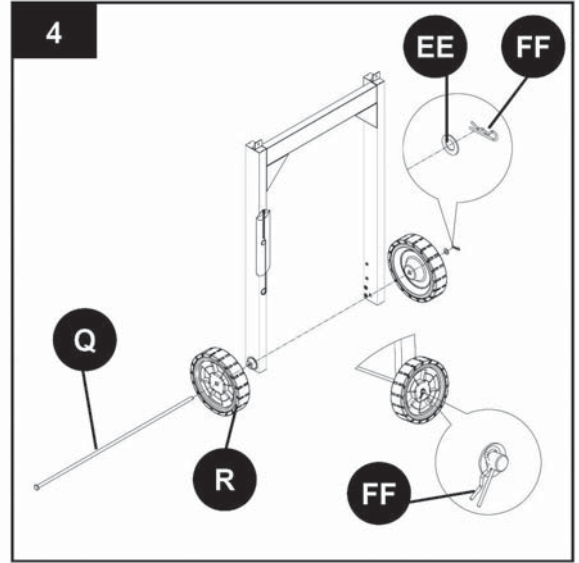


4. Ensamble las ruedas.

Deslice el eje (Q) a través de una rueda (R) y luego a través del lado derecho del carro y luego la segunda rueda (R). Asegúrelo usando la arandela del eje (EE) y el pasador de retención (FF). Como se muestra en la Fig. 4.

Aditamentos usados


EE	Arandela del eje		x 1
FF	Pasador de retención		x 1

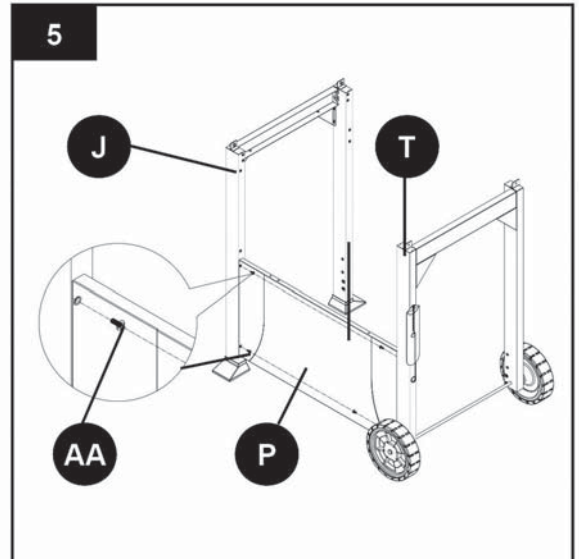


5. Ensamble el panel inferior frontal del carro

A. Fije el panel inferior frontal del carro (P) al lateral izquierdo del carro y luego al lateral derecho del carro usando cuatro tornillos 5/32-32 x 3/8 pulg. (AA). Como se muestra en la Fig. 5.

Aditamentos usados

AA	Tornillos 5/32-32 x 3/8 pulg.		x 4
-----------	-------------------------------	---	-----




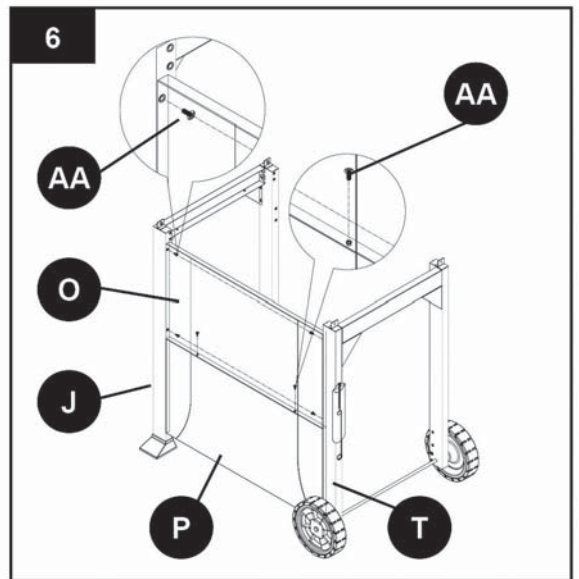
6. Ensamble el panel superior frontal del carro

B. Fije el panel superior frontal del carro (O) al izquierdo lateral del carro y luego al derecho lateral del carro usando cuatro tornillos 5/32-32 x 3/8 pulg. (AA). Como se muestra en la Fig. 6.

C. Fije los paneles superior e inferior del carro usando dos tornillos 5/32-32 x 3/8 pulg. (AA). Como se muestra en la Fig. 6.

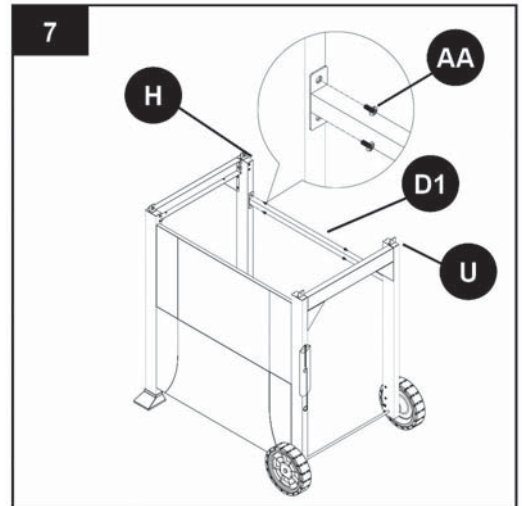
Aditamentos usados

AA	Tornillos 5/32-32 x 3/8 pulg.		x 6
-----------	-------------------------------	---	-----



7. Ensamble el refuerzo trasero del carro

Fije el refuerzo trasero del carro (D1) al lateral izquierdo del carro y luego al lateral derecho del carro usando cuatro tornillos 5/32-32 x 3/8 pulg. (AA). Como se muestra en la Fig. 7.



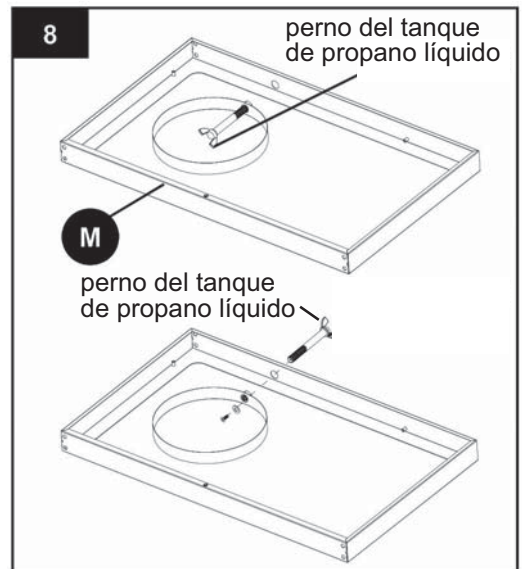
Aditamentos usados

AA Tornillos 5/32-32 x 3/8 pulg. x 4

8. Ensamble el perno del tanque de propano líquido.

A. Retire el perno del tanque de propano líquido de la base del carro (M). Como se muestra en la Fig. 8.

B. Vuelva a instalar el perno del tanque de propano líquido como se muestra en la Fig. 8

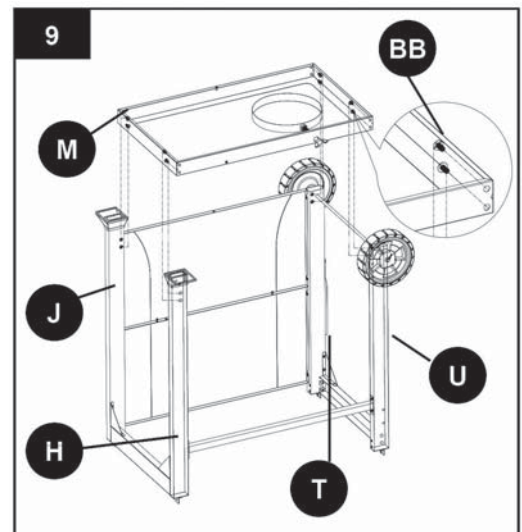


9. Ensamble la base del carro

Vire el carro y luego coloque la base del carro (M) al conjunto usando ocho tornillos de 1/4-20 x 1/2 pulg. (BB). Como se muestra en la Fig. 9.

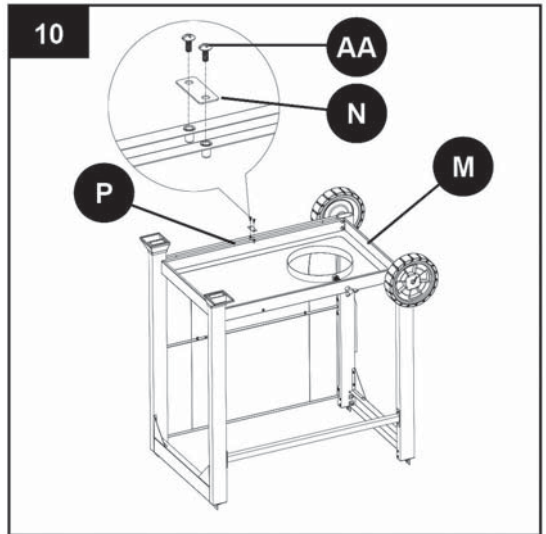
Aditamentos usados

BB Tornillos 1/4-20 x 1/2 pulg. x 4



10. Ensamble el soporte del panel frontal del carro

Fije el soporte del panel frontal del carro (N) a la base del carro (M) y a la parte inferior del panel frontal (P) usando dos tornillos de 5/32-32 x 3/8 pulg. (AA). Como se muestra en la Fig. 10.

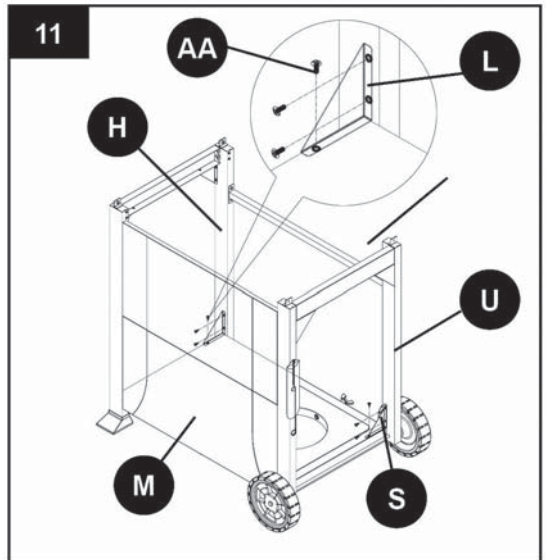


Aditamentos usados

AA Tornillos 5/32-32 x 3/8 pulg. x 2

11. Ensamble el refuerzo esquinero

E. Vire el carro con el lado derecho hacia arriba y luego fije el refuerzo izquierdo esquinero (L) y el refuerzo derecho esquinero (S) a la base del carro (M) y a las patas traseras del carro usando tres tornillos de 5/32-32 x 3/8 pulg. (AA). Como se muestra en la Fig. 11.



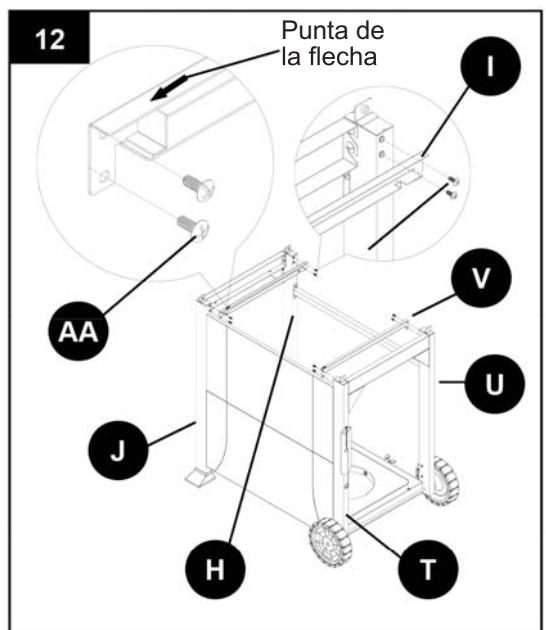
Aditamentos usados

AA Tornillos 5/32-32 x 3/8 pulg. x 6

12. Ensamble los soportes de la bandeja de goteo

A. Fije el soporte izquierdo de la bandeja de goteo (I) a las patas izquierdas delantera y trasera del carro usando cuatro tornillos de 5/32-32 x 3/8 pulg. (AA). Como se muestra en la Fig. 12.

B. Repita para fijar el soporte derecho de la bandeja de goteo (V) a las patas derechas delantera y trasera del carro usando cuatro tornillos de 5/32-32 x 3/8 pulg. (AA).



Aditamentos usados


AA Tornillos 5/32-32 x 3/8 pulg. x 8

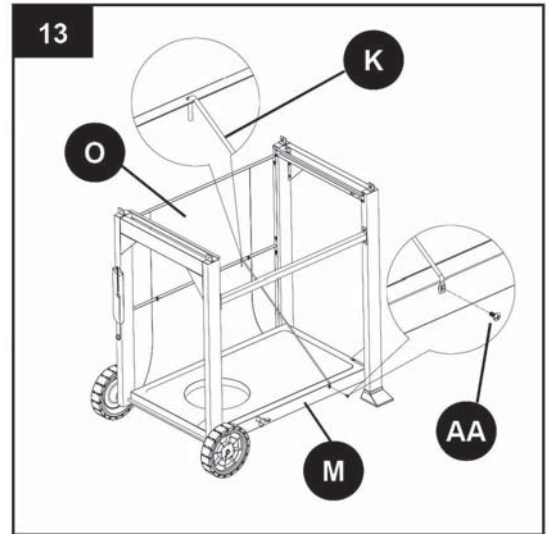
13. Fije la barra de contención del tanque de propano líquido

- A. Deslice el extremo sólido de la barra de contención del tanque de propano líquido (K) en el hoyo del panel frontal del carro. Como se muestra en la Fig. 13.
- B. Fije el otro extremo a la base del carro (M) usando un tornillo de 5/32-32 x 3/8 pulg. (AA). Como se muestra en la Fig. 13.

Nota: Asegúrese de que todos los tornillos estén bien apretados antes de continuar con los próximos pasos.

Aditamentos usados

AA	Tornillo 5/32-32 x 3/8 pulg.		x 1
-----------	------------------------------	---	-----

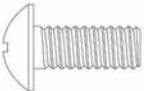


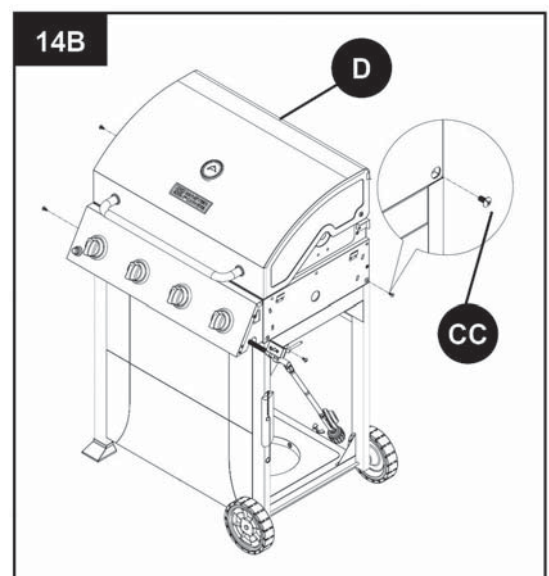
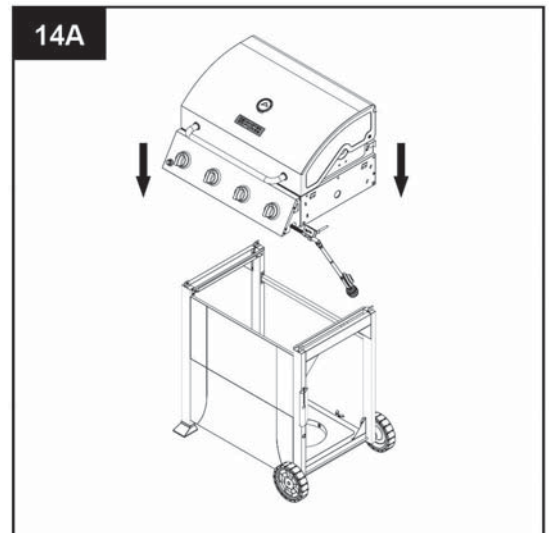
14. Ensamble la parrilla y el carro

- A. Busque ayuda para levantar la tapa de la parrilla (D) y colocarla sobre el carro como se muestra en la Fig. 14A.

- B. Refuerce la tapa de la parrilla (D) usando cuatro tornillos de 1/4-20 x 3/4 pulg. (CC) como se muestra en la Fig. 14B.

Aditamentos usados

CC	Tornillos 1/4-20 x 3/4 pulg.		x 4
-----------	------------------------------	---	-----



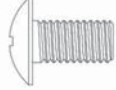

15. Instale la repisa lateral izquierda

A. Cuelgue la repisa lateral izquierda (E) sobre los soportes para la repisa lateral en el lado de la parte superior de la parrilla (D) como se muestra en la Fig. 15A.

B. Fije la repisa usando tres tornillos de 1/4-20 x 1/2 pulg. (BB) y tres arandelas de presión (DD) poniéndolas en los hoyos en el interior de la parrilla como se muestra en la Fig. 15B.

Nota: NO APRIETE ESTOS TORNILLOS TODAVÍA.

Aditamentos usados


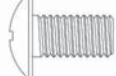
BB	Tornillos 1/4-20 x 1/2 pulg.		x 4
DD	Arandelas de presión		x 3

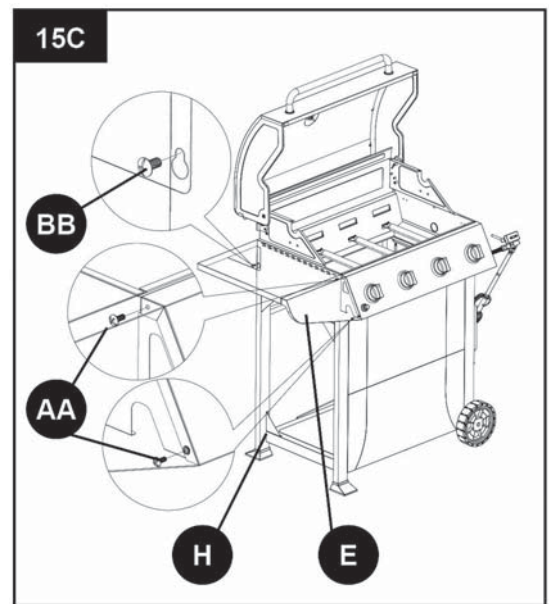
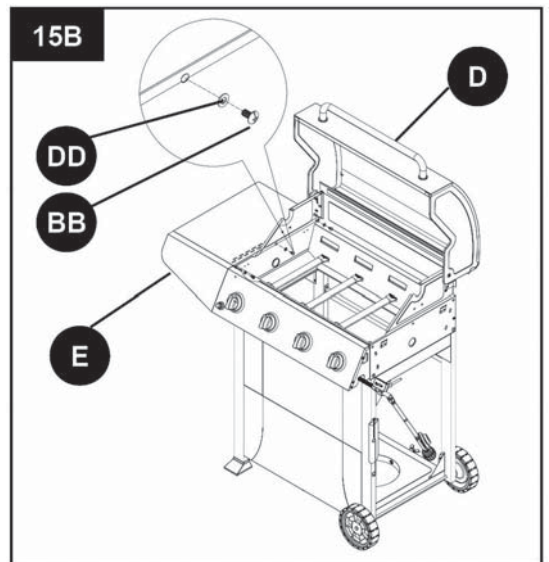
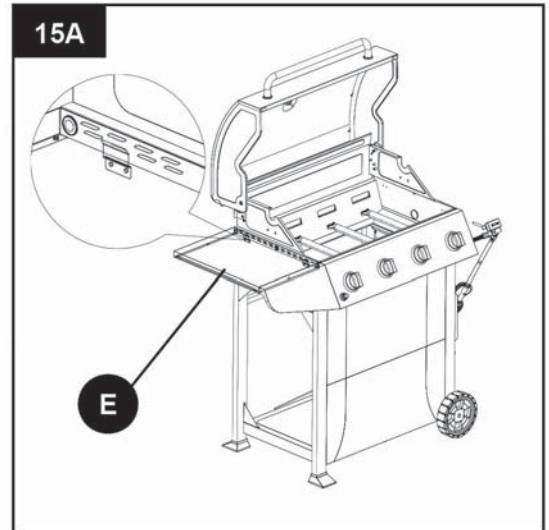
C. Use un tornillo de 1/4-20 x 1/2 pulg. (BB) para unir el soporte inferior trasero de la repisa lateral a la pata izquierda del carro como se muestra en la Fig. 15C.

D. Use dos tornillos de 5/32-32 x 3/8 pulg. (AA) para unir el panel frontal de la repisa lateral al panel de control como se muestra en la Fig. 15C.

Nota: Alinee la repisa lateral y el panel de control y luego apriete todos los tornillos de la repisa instalados en los pasos 15B y 15C.

Aditamentos usados

AA	Tornillos 5/32-32 x 3/8 pulg.		x 2
BB	Tornillo 1/4-20 x 1/2 pulg.		x 1



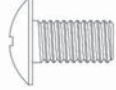

16. Instale la repisa lateral del quemador

A. Coloque la repisa lateral del quemador (Z) en los soportes laterales de la repisa en la parte exterior de la parte superior de la parrilla (D) como se muestra en la Fig. 16A.

B. Coloque la repisa lateral del quemador (Z) usando tres tornillos de 1/4-20 x 1/2 pulg. y tres arandelas de presión (DD) en los hoyos interiores de la parrilla como se muestra en la Fig. 16B.

Nota: NO APRIETE ESTOS TORNILLOS TODAVÍA.

Aditamentos usados


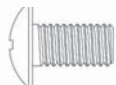
BB	Tornillos 1/4-20 x 1/2 pulg.		x 3
DD	Arandela de presión		x 3

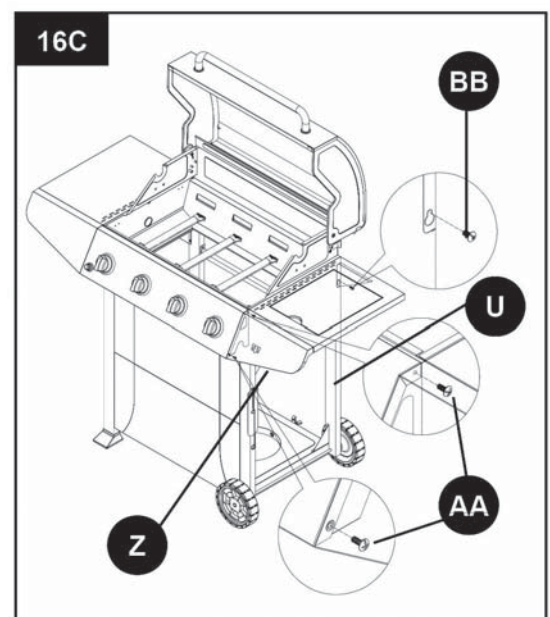
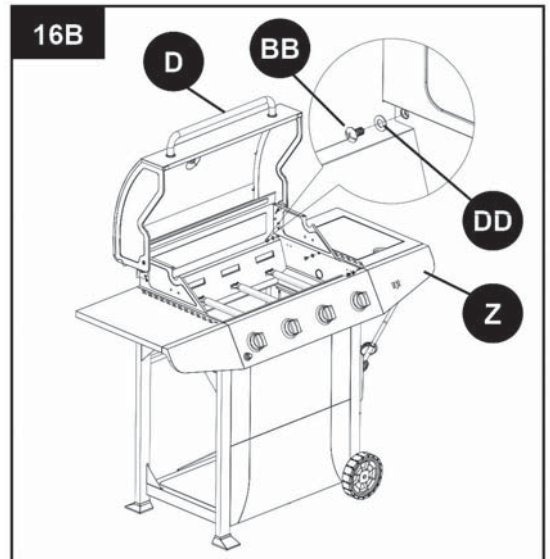
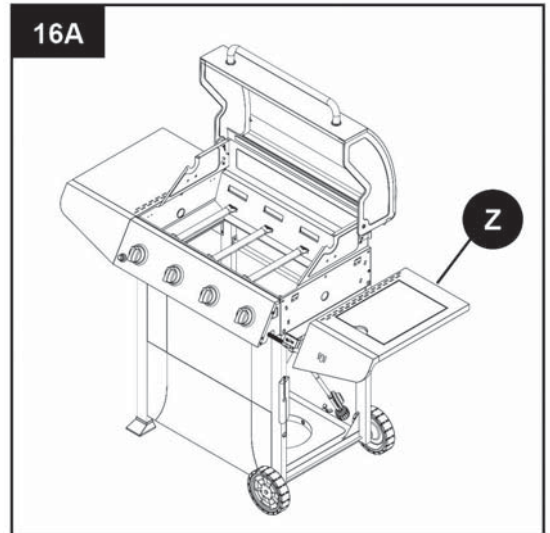
C. Use un tornillo de 1/4-20 x 1/2 pulg. (BB) para unir el soporte inferior trasero de la respisa lateral a la pata derecha del carro como se muestra en la Fig. 16C.

D. Use dos tornillos de 5/32-32 x 3/8 pulg. (AA) para unir el panel frontal de la repisa lateral al panel de control como se muestra en la Fig. 16C.

Nota: Alinee la respisa lateral del quemador y el panel de control y luego apriete todos los tornillos de la repisa instalados en los pasos 16B y 16C.

Aditamentos usados

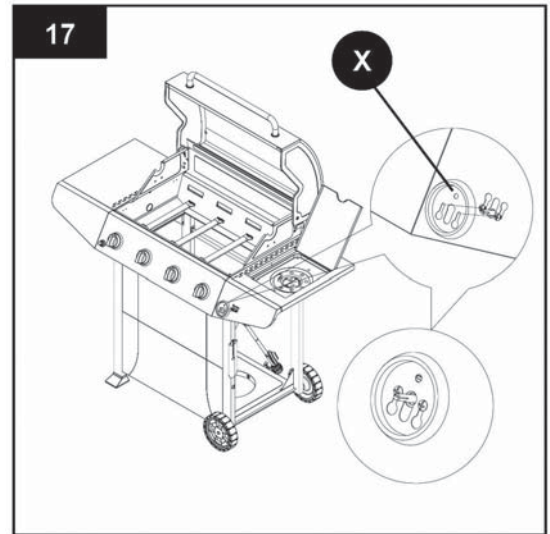
AA	Tornillos 5/32-32 x 3/8 pulg.		x 2
BB	Tornillo 1/4-20 x 1/2 pulg.		x 1



17. Coloque la válvula del quemador lateral

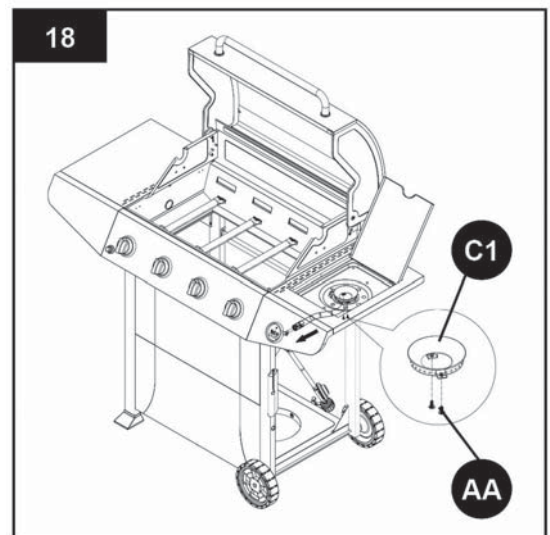
A. Afloje pero no quite los dos tornillos preinstalados de la válvula del quemador lateral.
B. Inserte los tornillos de la válvula del quemador lateral a través de las ranuras en la parte delantera de la repisa del quemador lateral y luego deslice la válvula hacia arriba para que los tornillos descansen en la pequeña sección de las ranuras.

C. Coloque la moldura de la perilla del quemador lateral (X) en las ranuras sobre los tornillos de la válvula del quemador lateral. Deje que la moldura se deslice hacia abajo para que los tornillos descansen en la pequeña sección de las ranuras y luego apriete los tornillos. Como se muestra en la Fig. 17.



18. Instale el quemador lateral

A. Quite la parrilla de cocción del quemador lateral y luego coloque el quemador lateral (C1) en la bandeja del quemador lateral y deslice la tubería del quemador sobre la válvula del quemador lateral. Apriételo usando dos tornillos de 5/32-32 x 3/8 pulg. (AA). Como se muestra en la Fig. 13A. Vuelva a instalar la parrilla de cocción del quemador lateral. Como se muestra en la Fig. 18.



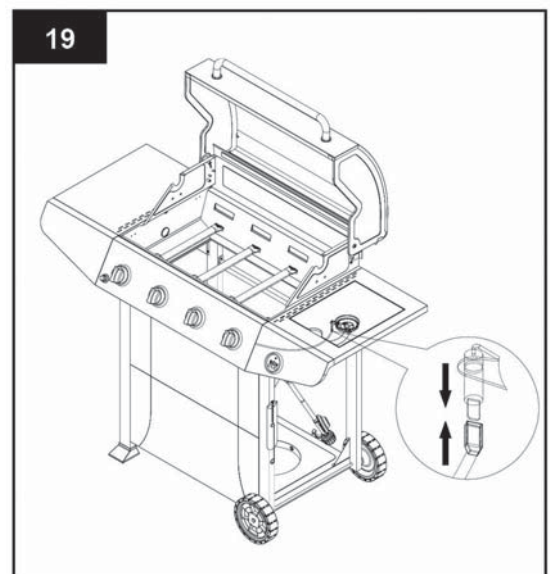
Aditamentos usados

AA Tornillos 5/32-32 x 3/8 pulg. x 2



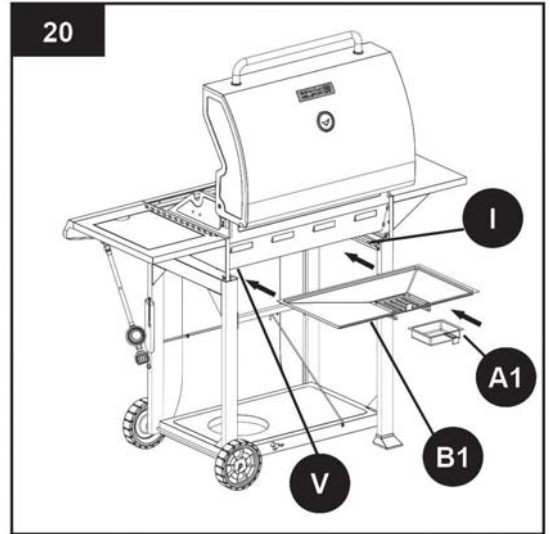
19. Ensamble el cable de encendido electrónico

B. Conecte el cable de encendido electrónico al electrodo del quemador lateral localizado debajo de la repisa del quemador lateral como se muestra en la Fig. 19.



20. Instale la bandeja de goteo y la taza de goteo de goteo

Deslice la bandeja de goteo (B1) en los soportes de la bandeja debajo de la parrilla. Luego deslice la taza de goteo (A1) en la bandeja de goteo como se muestra en la Fig. 20.

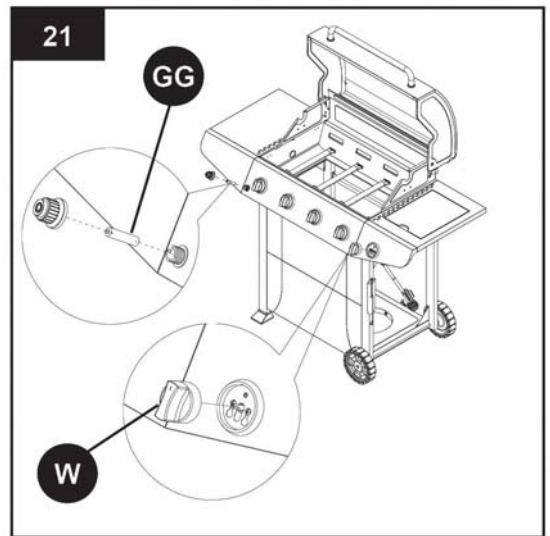


21. Instale la perilla del quemador lateral y la batería

A. Coloque la perilla del control (W) en el vástago de la válvula del quemador lateral como se muestra en la Fig. 21.

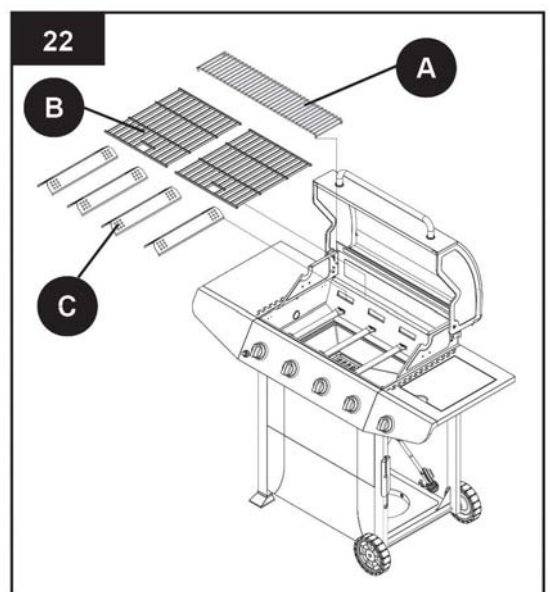
B. Afloje el botón del encendido electrónico y luego coloque la batería AA (GG) con el polo positivo (+) apuntando hacia afuera. Vuelva a instalar el botón de encendido como se muestra en la Fig. 21.

Nota: Después de instalar la batería, pruebe el encendedor electrónico para asegurarse que los electrodos del quemador funcionen.



22. Instale los componentes de cocción

Instale los difusores de llama (C), las parrillas para cocción (B) y la parrilla para calentar (A) como se muestra en la Fig. 22.



INSTRUCCIONES PARA LA INSTALACIÓN

Para la conexión de gas propano líquido portátil

En el frente del carro, coloque el aro del tanque de 20 lb. en el panel inferior. Asegúrese de que la válvula del tanque esté en la posición OFF. Use el perno del tanque para asegurar el tanque en una posición fija. Use solamente un tanque de 20 lbs. (Consulte los Requisitos de seguridad para gas propano líquido en la página 59 para más información). Es peligroso operar la parrilla si el tanque de gas no está en posición vertical, como se muestra en la Fig. 24.

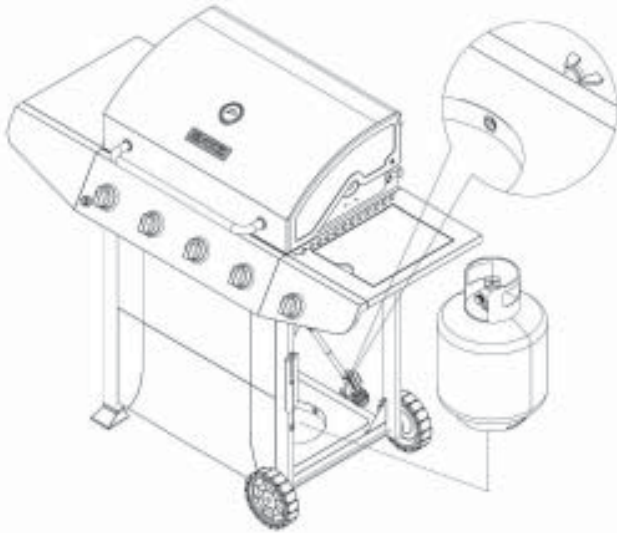
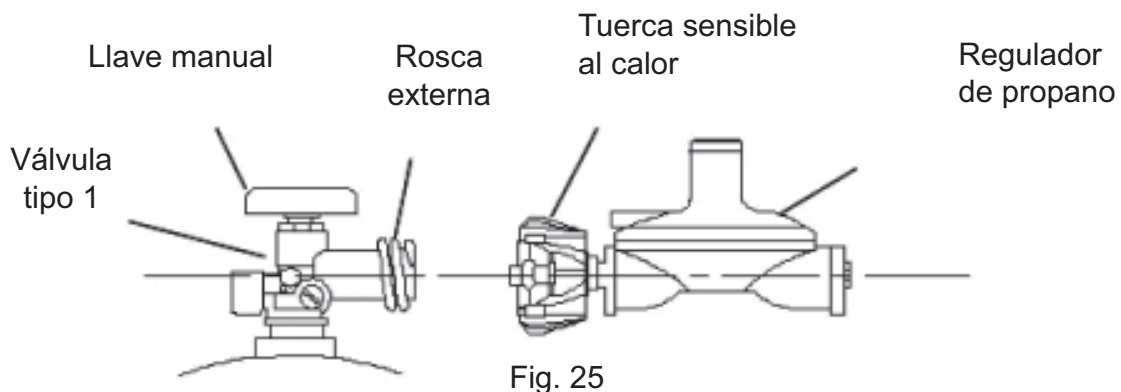


Fig. 23



Fig. 24

⚠ ADVERTENCIA: El acoplamiento de conexión Tipo 1 (ver Fig. 25) incluido con la parrilla no debe ser sustituido por un sistema diferente de conexión de la parrilla al tanque. Quitarlo provocaría en la pérdida de la garantía, fugas de gas, incendio y graves lesiones corporales.



La conexión de la válvula del tanque de propano suministrada con esta parrilla incluye cuatro medidas de seguridad importantes. Emsamblaje a mano, desmontaje a mano, control de exceso de flujo e interruptor activado por temperatura.

a. Ensamble/Ensamblado a mano

1. Asegúrese de que la válvula del tanque y todas las válvulas de la parrilla estén en la posición "OFF" (apagado).

INSTRUCCIONES PARA LA INSTALACIÓN

2. Cuando conecte el conjunto de la válvula del quemador/regulador, gire la tuerca plástica grande hacia la derecha hasta que se detenga.
3. El gas no fluirá a menos que la tuerca plástica esté completamente conectada.
4. APRIÉTELA CON LA MANO SOLAMENTE.

b. Desmontaje a mano :

1. Asegúrese de que la válvula del tanque y todas las válvulas de la parrilla estén en la posición "OFF" (apagado).
2. Gire la tuerca plástica grande hacia la izquierda hasta que se suelte.
3. AFLÓJELA CON LA MANO SOLAMENTE.

c. Control del exceso de flujo

El regulador de propano incorpora un dispositivo para el exceso de flujo diseñado para suministrar flujo de gas suficiente a la parrilla bajo condiciones normales a la vez que controla el exceso de flujo de gas. Los rápidos cambios en la presión pueden provocar que el dispositivo de exceso de flujo brinde una llama y una temperatura bajas. Si el tanque se abre para permitir flujo de gas mientras una válvula del quemador esté abierta, el aumento de presión hará que el dispositivo se active. El dispositivo permanecerá cerrado hasta que la presión se estabilice. Esto debe ocurrir en 5 segundos. Para garantizar que esto no cause dificultades para encender la parrilla, siga estas instrucciones:

1. Asegúrese de que todas las válvulas de los quemadores estén en la posición "OFF" (apagada).
2. Abra la válvula del tanque y espere 5 segundos.

d. Cierre/Shut-Off activado por temperatura

La tuerca plástica grande en el regulador está diseñada en combinación con una válvula de retención en la válvula del tanque para apagar el flujo de gas cuando esté expuesto a temperaturas entre 115° y 149° C. En caso de incendio o ruptura de la manguera, una de las medidas de seguridad funcionará para controlar o detener el flujo de gas del tanque de propano. Nunca intente usar un equipo dañado.

Importante: Antes de usar un nuevo tanque de gas, por favor, compruebe que no haya fugas en las conexiones según lo indicado en la sección "Detección de fugas de gas" en la página 58 y asegúrese de que no haya fugas ni acumulación de vapores en el gabinete. Asegúrese de que todas las aberturas de las paredes laterales no estén bloqueadas.

Importante: Coloque la tapa antipolvo en la salida de la válvula del cilindro cuando no esté en uso. Sólo instale el tipo de tapa antipolvo en la salida de la válvula del cilindro que se incluye con la válvula. Otros tipos de tapas o tapones pueden dejar escapar el propano.

Requisitos para el gas

Esta parrilla está hecha y probada en la fábrica para usarse con gas propano líquido solamente. La placa de calificación se encuentra en el panel interior de la puerta izquierda.

INSTRUCCIONES PARA LA INSTALCIÓN

Gas propano líquido

Si su parrilla es para gas propano líquido, el regulador suministrado está hecho para columna de agua (WC) de 27,94 cm y es para usar con gas propano líquido solamente. El regulador y la manguera de fábrica deben estar con un tanque de gas propano líquido de 20 lbs.

Sistema de GAS PROPANO LÍQUIDO

Póngase en contacto con su proveedor de gas para encargar un regulador especial de mayor flujo de gas que alimente otros aparatos.

Consumo de gas

El consumo total de gas de esta parrilla con quemador(es) en posición "HIGH" (alto)

Tipo de quemador	BTU/HR
Quemadores principales	10.000 x 4
Quemadores laterales	12.000 x 1

Ubicación/Instalación de la parrilla

Separación de construcciones combustibles

⚠ Advertencia: No coloque la parrilla debajo de techos ni superficies combustibles desprotegidas.

Se debe mantener un espacio libre mínimo de 121,92 cm entre los lados de la parrilla y de 121,92 cm de la parte trasera de la parrilla y cualquier construcción combustible vertical adyacente.

Este aparato de gas está diseñado y certificado para usar en exteriores/al aire libre solamente. No use esta parrilla dentro de edificios, garajes, vehículos de recreo, porches/terrazas cubiertas ni en ninguna otra área cerrada. Mantenga la parrilla alejada de zonas de mucho viento pero mantenga la parrilla en un área bien ventilada. NO obstruya el flujo de combustión y ventilación de aire alrededor de la parrilla.

Sin embargo, el fabricante sugiere enfáticamente una distancia de 1,83 m entre la parrilla y las construcciones combustibles.

Separación de construcciones incombustibles

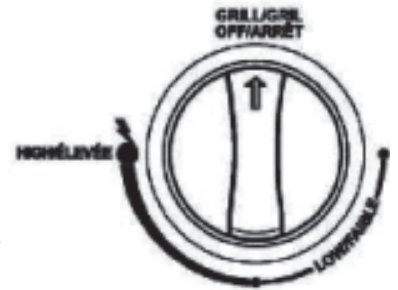
Se requiere un espacio mínimo de 121,92 cm entre la parte posterior de la parrilla por encima de la superficie de cocción y construcciones no combustibles para permitir que la tapa de la parrilla se abra completamente. Se recomienda un espacio libre mínimo de 121,92 cm entre los lados de la parrilla por encima de la superficie de cocción y construcciones no combustibles. La parrilla se puede instalar directamente al lado de una construcción no combustibles debajo de la superficie de cocción.

INSTRUCCIONES DE USO

Instrucciones para encender la parrilla

Para encender el quemador principal y los laterales

1. Asegúrese de que las perillas de control estén en la posición "OFF" (apagado).
2. Abra la tapa de la parrilla.
3. Verifique la posición del pasador de encendido y la distancia entre el pasador y el quemador.
4. Asegúrese de que la bandeja de goteo está instalada.
5. Abra la válvula del tanque de gas propano líquido o de gas natural.
6. Encienda cada quemador por separado. Encender dos válvulas de los quemadores juntas podría disparar el dispositivo limitador de flujo en la conexión del tanque (sólo en parrillas de gas propano líquido).
7. Presione la perilla de control hacia dentro y gírela hacia la izquierda a la posición "HIGH" (alta).
8. Presione y gire la perilla de control del quemador a "HIGH" y en seguida presione y mantenga presionado el encendedor electrónico.
9. Si el quemador no se enciende en 5 segundos, inmediatamente gire la perilla a la posición "OFF" (apagado). Espere 5 minutos y repita el paso 7 dos o tres veces.
10. Si el quemador todavía no se enciende, APAGUE EL GAS. ESPERE 5 MINUTOS para que se disipe el exceso de gas.
11. Si el quemador sigue sin encender, consulte la sección Detección de problemas.



Reemplazo de la batería

1. Densenrosque el botón de encendido eléctrico y quite la batería vieja.
2. Reemplace con una nueva batería AA.

Nota: El polo negativo (-) de la batería se coloca primero. Por favor, vea la marca en el lado de la tapa.

⚠ ADVERTENCIA:

1. Asegúrese de que la tapa esté completamente abierta cada vez que intente encender la parrilla. Si no abre la tapa, podría resultar en un encendido retardado y causar una lesión corporal.
2. Esta parrilla tiene un agujero de observación de la llama en el panel lateral.

PRECAUCIÓN: ES IMPORANTE INSPECCIONAR TODA LA MANGUERA DE LA LÍNEA DE GAS. SI ES EVIDENTE QUE EXISTE ABRASIÓN O DESGASTE EXCESIVO O SI LA MANGUERA ESTÁ CORTADA, LA MANGUERA DEBE SER REEMPLAZADA ANTES DE USAR LA PARRILLA.

Si es necesario, revise su lista de piezas para el ensamblaje adecuado de la manguera de reemplazo.

INSTRUCCIONES DE USO

Instrucciones para encender con cerillas

IMPORTANTE: Para encender con cerillas cualquier quemador, la tapa debe estar abierta.

1. Abra el suministro de gas.
 - a. Si es portátil, la válvula del tanque de gas de propano líquido.
 - b. Si es suministro de gas permanente, la válvula de cierre manual.
2. Localice los agujeros de observación de llama en cada lado.
3. Acceda a la presilla con cadena para la cerrilla.
4. Fije la cerilla o papel con la presilla (Fig. 26), encienda la cerilla y colóquela cerca de los puertos del quemador; empuje y gire la perilla hacia a la izquierda a la posición "HIGH" (alto).

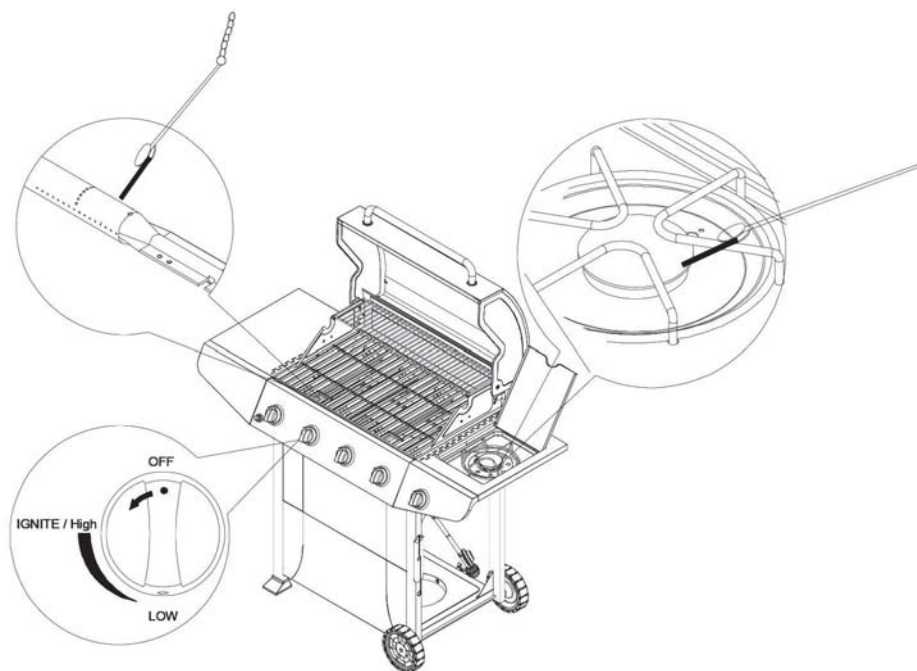


Fig. 26. Ilustración de encendido con fósforos/cerillas/papel

5. El quemador central (de ser necesario) puede encenderse desde la parrilla central al insertar la presilla de la cerilla en frente del difusor de la llama. Encienda este quemador antes de encender los dos quemadores exteriores.
6. Presione la válvula de ese quemador y gírela a la posición "HIGH" (alto).
7. Observe si el quemador se ha encendido. Retire la cerilla y apáguela.
8. Repita los pasos del 2 al 6 para el próximo quemador.

Estrene su parrilla

Cuando encienda la parrilla por primera vez, es recomendable encender el quemador principal en la posición "HIGH" (alto) durante 20 minutos con la tapa hacia abajo y luego apagar los quemadores principales. Esto atempera la parrilla.

INSTRUCCIONES DE USO

Pre calentamiento de la parrilla

Es sumamente importante que su parrilla esté a buena temperatura antes de empezar a usarla. Después de encenderla, cierre la tapa y precaliente la parrilla en “HIGH” durante 15 minutos. Este precalentamiento asegurará de que la parrilla y parrilla de cocción estén lo suficientemente calientes como para asar adecuadamente.

PRECAUCIÓN: No cubra las parrillas durante el período de precalentamiento.

ADVERTENCIA: Nunca deje la parrilla desatendida para evitar perder el control sobre posibles incendios por grasa. Los incendios de grasa pueden ser graves y causar daños a la parrilla, a la propiedad y lesiones corporales.

Abra o cierra la tapa para asar

Cocinar con la tapa abierta o cerrada es una cuestión de preferencia personal. Se recomienda cocinar con la tapa cerrada si le gusta cocinar a temperaturas máximas para “chamuscar” los alimentos. Este método también producirá más “llamaradas”, acelerará el procedimiento de cocción y le dará un sabor ahumado y más robusto, típico del ambiente exterior. Si prefiere cocinar lentamente, con menos llamas, le sugerimos el método de la tapa abierta.

Le recomendamos que siempre cocine con la tapa CERRADA si se encuentra en una zona de mucho viento o en clima frío. Su parrilla ha sido diseñada y fabricada para darle máxima flexibilidad y rendimiento de cocción. Pruebe diferentes métodos de cocción en la parrilla para determinar cual se adapta mejor a sus necesidades.

Detección de fugas de gas

Antes de usar la parrilla, después de reabastecer el gas, verifique cuidadosamente para asegurarse de que todas las conexiones estén apretadas y que no haya fugas de gas.

1. Haga una solución de 60-90 ml para comprobar fugas, mezclando jabón líquido para lavar platos con agua.
2. Asegúrese de que todas las perillas de control estén en la posición “OFF” (apagado).
3. Aplique pequeñas cantidades de la solución de fugas en todas las conexiones y abra el gas.
4. Si aparecen burbujas, hay una fuga. Vaya al paso 5.
5. Apague el gas y apriete todas las conexiones.
6. Vuelva al paso 1 para volver a probar las conexiones.
7. Si siguen apareciendo burbujas, apague el gas. Llame al servicio al cliente.

⚠️ ADVERTENCIA

Nunca use una cerilla u otra llama para detectar fugas. Usar cualquier tipo de llama puede causar un incendio, explosión y lesiones corporales.

IMPORTANTE: Al conectar o sustituir cualquier tubería o conexiones de gas, todas las uniones deben sellarse con un compuesto de sellado hermético aprobado o con cinta para plomero.

CUIDADO Y MANTENIMIENTO

Prueba de la llama del quemador



1 pulg. (2,5 cm)

Verifique visualmente las llamas del quemador antes de cada uso. Las llamas deben ser azules. Si no es así, consulte la sección de limpieza de tuberías y puertos de los quemadores. Antes de cocinar en su parrilla por primera vez, lave las parrillas y rejillas de cocción con agua tibia y jabón. Enjuáguelas y séquelas bien. Engráselas con aceite de cocina regularmente. Cuando termine de cocinar, ponga la parrilla en HIGH (alta) durante 3-5 minutos para quemar el exceso de grasa o residuos de comida.

⚠ ADVERTENCIA

Revise y limpie los tubos del quemador/tubos de venturi por detectar insectos y nidos de insectos. Un tubo obstruido puede provocar un incendio debajo de la parrilla.

⚠ ADVERTENCIA

El (Los) cilindro(s) de suministro de gas propano líquido que se utilizará(n) debe(n) ser:
(a) Fabricados y marcados según las especificaciones para cilindros de gas propano líquido del Departamento de Transporte de EE.UU. (DOT) o la Asociación de Normas Canadiense, CAN/CSA-B339, cilindros, esferas y tubos para el transporte de mercancías peligrosas y comisión

(b) Brindar un dispositivo de prevención de sobrellenado.

(c) Brindar un dispositivo de conexión de cilindro compatible con la conexión para aparatos de cocción para exteriores.

⚠ ADVERTENCIA: Por favor, recuerde que ésta es una parrilla a gas para exteriores. Muchas áreas de la parrilla generan calor extremo. Hemos tomado todas las precauciones para protegerle de las áreas de contacto. Sin embargo, es imposible aislar todas las áreas de alta temperatura. Por lo tanto, use su sentido común y un cierto grado de precaución cuando cocine en esta parrilla. Sugerimos que cubra, proteja sus manos cuando cocine en la parrilla. No mueva la parrilla cuando esté cocinando o muy caliente al tacto. Espere hasta que la unidad esté apagada y debidamente fría antes de moverla. No cumplir con esta advertencia puede ocasionar lesiones personales.

Poscalentamiento

Para mantener las parrillas libres de restos de alimentos carbonizados, deje encendida la parrilla en "HIGH" durante 15 minutos después de cocinar y de haber eliminado restos de comidas.

PRECAUCIÓN: No tape la parrilla durante el período de poscalentamiento.

Después de hacerlo, gire las perillas de control a la posición "OFF" (apagado).

Apagado del tanque de propano

Después que la caja del quemador se enfríe, la válvula del tanque de propano también se debe cerrar. Si no quiere esperar a que la caja del quemador se enfríe, con la mano protegida, cierre la válvula del tanque de propano.

CUIDADO Y MANTENIMIENTO

⚠ ADVERTENCIA

No intente cerrar la válvula del tanque de gas sin cubrir primero su mano con un guante de protección o dejar que la parrilla se enfríe. El incumplimiento de esta advertencia puede resultar en una quemadura grave.

Requisitos de seguridad de gas propano líquido

Para las parrillas de gas propano líquido, el tanque de suministro de gas propano líquido debe ser: Fabricado y marcado de acuerdo con las especificaciones para tanques de gas de propano líquido del Departamento de Transporte de EE.UU. (DOT) o la Asociación Nacional de Normas de Canadá, CAN/CSA-B339 cilindros, esferas y tubos para el transporte de mercancías peligrosas, y la Comisión, según corresponda; y equipado con un dispositivo de prevención de sobrellenado (OPD).

El tanque debe ser de 30,48 cm de diámetro y 46,99 cm de alto y estar equipado con una conexión de tipo 1.

El sistema de suministro del tanque debe poder extraer vapores.

El tanque que use debe incluir un collar para proteger la válvula del cilindro.

No use la parrilla a gas en interiores ni en un lugar cerrado. Si la parrilla a gas no está en uso, se debe apagar el tanque de suministro del gas. Si debe almacenar la parrilla en interiores, desconecte el tanque de suministro de gas y almacene el tanque en posición vertical en un lugar fresco, al aire libre, bien ventilado y lejos de su parrilla o cualquier otra fuente de calor.

Cuando compruebe si hay fugas de gas, no use una llama. Use una solución de agua jabonosa y aplíquela a las juntas y conexiones de la tubería con una brocha y compruebe si hace burbujas. Revise las mangueras flexibles para detectar cortaduras y desgastes que pueden afectar la operación segura de la parrilla. Sólo se deben utilizar la manguera y el regulador que vienen de fábrica. Use solamente los reemplazos de la manguera y del regulador especificados por el fabricante.

El tanque de gas propano líquido debe estar firmemente asegurado en todo momento por el aro de seguridad del tanque. Un tanque no asegurado puede caerse o inclinarse lo cual puede causar lesiones o daños a la propiedad. Se recomienda asegurar el tanque todo el tiempo.

Después de colocar el tanque en la abertura correspondiente, baje el aro de seguridad para asegurar el tanque. Use sólo un tanque de gas de 20 lbs.

⚠ ADVERTENCIA

Se debe usar el regulador de presión y la manguera suministrados con la parrilla a gas para exteriores. Los reguladores de presión y mangueras de reemplazo deben ser los especificados por el fabricante del aparato a gas para cocinar al aire libre.

CUIDADO Y MANTENIMIENTO

Manipulación segura del tanque de propano líquido

Recuerde manipular con cuidado el tanque de propano líquido portátil cuando lo lleve al distribuidor para rellenarlo. Evite caídas o golpes contra objetos afilados. Los tanques de propano líquido están sólidamente contruidos pero unas sacudidas bruscas pueden dañar el cilindro.

Cuando lleve el tanque al distribuidor local de gas propano, asegúrese de que la válvula esté cerrada herméticamente y la cubierta de protección esté en su lugar. Coloque el tanque de forma segura en posición vertical para que no ruede dentro de su vehículo.

Si planea hacer paradas para ir de compras o hacer gestiones, llene el tanque de gas propano líquido en la última parada antes de regresar a casa. Una vez más, asegúrese de que el tanque relleno esté seguro y en posición vertical. Cuando llegue a casa, saque el tanque de su vehículo. Nunca deje un tanque portátil de líquido dentro de un vehículo porque puede ser recalentado por el sol.

Su distribuidor local de gas propano líquido se complacerá en ofrecerle consejos de seguridad adicionales.

Almacenamiento seguro del tanque de propano líquido

Ya sea entre un paseo y otro en su casa móvil o buscando un lugar para guardar el tanque de propano líquido para suministrar gas a su parrilla exterior, tenga presente algunas reglas de seguridad básicas en cuanto al almacenaje de los tanques de propano líquido:

No guarde los tanques (ni vacíos ni llenos) en el interior de su hogar ni ninguna otra habitación de una casa móvil, garaje, sótano o taller. Hay pocas posibilidades de que el gas se escape de los tanques, pero si ello sucediera, pudiera quedar expuesto a chispas de automóviles, herramientas eléctricas o otros electrodomésticos. Cuando guarde o transporte su tanque de PL, este debe permanecer en posición vertical. Nunca acueste un tanque de PL, ni vacío ni lleno. Nunca guarde un tanque de repuesto debajo ni cerca de su parrilla.

PRECAUCIÓN: Nunca transporte ni mueva la parrilla o el tanque de la parrilla sin cerrar primero la válvula manual del tanque de gas de propano líquido.

El mejor lugar para almacenar un tanque de propano líquido es en un lugar al aire libre con sombra o protegido, detrás de su casa o del garaje o del porche pero que esté fuera del alcance de los niños. El propano líquido no se evapora. Está en un recipiente fuerte, cerrado. No perderá sus propiedades de combustión limpia, incluso si lo deja fuera todo el año.

CUIDADO Y MANTENIMIENTO

⚠ ADVERTENCIA: Cuando no esté conectado a la parrilla, el tanque de gas de propano líquido debe ser almacenado en posición vertical en un lugar al aire libre, fresco, a la sombra y bien ventilado, lejos de su parrilla o cualquier otra fuente de calor. El incumplimiento de esta advertencia puede provocar daños en la válvula del tanque, riesgo de incendio y lesiones personales.

Llenado del tanque de propano

Es muy importante que su tanque de propano líquido se llene correctamente cuando lo lleva a ser relleno. Asegúrese de usar un vendedor de gas de buena reputación y observe cómo se llena el tanque y a qué capacidad. Un tanque de propano líquido lleno en exceso puede ser peligroso.

La manera correcta de llenar un tanque es por el peso. El tanque vacío se debe colocar en una balanza. Los pesos de escala deben ser reajustados a un peso que permitiría hasta el 80% del peso total. La operación de llenado debe terminar una vez que el tanque se llena hasta el 80% de su capacidad total. Si el tanque no está completamente vacío, el reajuste de la balanza se debe cambiar para tomar en consideración el propano líquido que queda en el tanque.

⚠ ADVERTENCIA: Un tanque de propano está sobrellenado si contiene más del 80% de su capacidad total o de propano.

Un tanque de propano líquido incorrectamente llenado o llenado en exceso puede ser peligroso. Si el tanque está sobrellenado y la temperatura causa el calentamiento del tanque de propano líquido (un día caluroso, tanque en el sol o almacenado en interiores) se crea una presión interna debido a la expansión del gas propano, que a su vez puede hacer que el gas propano líquido se escape a través de la válvula de presión del tanque. La válvula de alivio de presión es un dispositivo de seguridad requerido en los tanques de propano de 20 libras por el Departamento de Transporte o la Asociación Nacional de Normas de Canadá, CAN/CSA-B339 Cilindros, esferas y tubos para el transporte de mercancías peligrosas, y Comisión, según corresponda, para prevenir una falla catastrófica del tanque debido a una presión excesiva. El gas de propano líquido que escapa del tanque es inflamable y puede ser explosivo.

IMPORTANTE: Cuando conecte o reemplace tuberías o conexiones de gas, todas las uniones deben sellarse con un compuesto de sellado hermético aprobado o con cinta de plomero. Después de hacer las conexiones, compruebe que no hay fugas en las juntas con una solución de agua jabonosa y una brocha.

⚠ ADVERTENCIA: Nunca use una llama para buscar fugas de gas. Usar una llama puede causar incendio, explosión y lesiones corporales.

Acero inoxidable

La parrilla a gas está hecha de acero inoxidable. El acero inoxidable no se oxida en ciertas condiciones, por lo tanto, cuando la parrilla no esté en uso, se debe usar una cubierta y limpiador de acero inoxidable.

Límpie todas las superficies que no son para cocinar con un limpiador de acero inoxidable una vez al mes.

Nunca limpie el acero inoxidable cuando esté caliente.

Después de las primeras parrilladas, ciertas áreas de la parrilla (conductos de ventilación, la tapa y la cámara de quemadores) se pueden decolorar. Esta es la decoloración normal y es causada por el intenso calor de los quemadores.

CUIDADO Y MANTENIMIENTO

Las manchas de grasa que caen y se queman en la superficie del acero inoxidable, por lo general, se pueden quitar con agua tibia y jabón o un limpiador de acero inoxidable. Ponga ligera presión sobre la almohadilla y siempre frote en dirección de la veta. Hay muchos productos excelentes que le ayudarán a limpiar y proteger todas las superficies que no son de cocción.

No use estropajos de metal para limpiar la parrilla

No use limpiadores abrasivos en la superficie pulida. Tenga cuidado al limpiar. Un pulidor de metal o limpiador suave para cromado se puede utilizar para recuperar el brillo y los reflejos. La jalea naval se puede usar para eliminar manchas de óxido que se producen por causas externas. Siga cuidadosamente las instrucciones de la jalea naval.

Para retocar pequeños arañazos en el acero inoxidable, lije la superficie afectada ligeramente con papel de lija de esmeril de grano 160 seco en dirección de la veta.

Bandeja de goteo

La bandeja de goteo recoge el exceso de grasa y residuos de alimentos caídos.

Deje enfriar la bandeja y el contenido antes de limpiarla, deslice la bandeja hacia afuera y luego límpiela.

Asegúrese de que la bandeja esté instalada antes de usar la parrilla.

Se recomienda que revise la bandeja con regularidad para evitar cualquier posibilidad de un incendio de grasa, sin embargo, la mayor parte de la grasa se evapora y llega de nuevo al alimento que se cocina dando un sabor de parrilla al aire libre.

Consejos útiles para el cuidado y mantenimiento

Antes de asar a la parrilla, precaliente la parrilla durante 15 minutos en "HIGH" (alto) con la tapa cerrada. Para evitar llamaradas incontrolables o incendios de grasa, cocine las carnes con la tapa abierta. Cierre la tapa si las carnes son gruesas o la temperatura es fría o si está usando un rostizador o cocción indirecta.

Proteja siempre sus manos con un guante de cocina cuando esté en contacto con una superficie caliente.

Abra la tapa para cocinar carnes, especialmente pollo. Cierre la tapa para rostizar o cocción indirecta.

NUNCA deje la parrilla desatendida mientras esté cocinando.

Después de usarla, cierre la tapa, encienda los quemadores en "HIGH" durante 15 min. para la autolimpieza y para quemar la grasa.

CUIDADO Y MANTENIMIENTO

Calendario de cuidado y mantenimiento

Artículo de la parrilla	Frecuencia basada en uso normal	Método de limpieza
Superficie pintada	Dos veces al año	Cera para carro
Superficie de acero inoxidable	Dos veces al año	Limpiador de acero inoxidable
Todas las parrillas	Después de cada uso	Quemar y limpiar
Parrillas de acero inoxidable	15 días	Cepillo de alambre/apto para lavaplatos
Parrillas de porcelana	15 días	Estropajo con agua jabonosa/apto para lavaplatos
Placa de calor del quemador	30 días	Cepillo de alambre
Quemadores	90 días	Cepillo de alambre
Interior de la cámara de quemadores	120 días	Productos de limpieza para el interior de la parrilla

Medición de cantidad de combustible de propano líquido

Para medir la cantidad de combustible de propano en el tanque de gasolina, la parrilla debe estar funcionando. Ponga su mano en la parte superior del tanque y muévala lentamente por el costado hasta que el tanque se sienta frío al tacto. Esto indicará la cantidad aproximada de gas propano en el tanque, si solo queda una tercera parte llena, vuélvalo a llenar.

No use trozos de carbón ni ningún otro material inflamable en su parrilla. El uso de ese tipo de materiales anulará la garantía y puede provocar un incendio, explosión y lesiones corporales.

Muchas de las soluciones que aquí se ofrecen pueden hacer más segura y placentera su experiencia en la parrilla. También puede llamar al departamento de servicio al cliente al **1-800-963-0211** de 8 a.m. a 6 p.m., hora estándar del este, de lunes a jueves, y de 8 a.m. a 5 p.m., hora estándar del este, los viernes.

DETECCIÓN DE PROBLEMAS

PROBLEMA	POSIBLE CAUSA	ACCIÓN CORRECTIVA
La parrilla o el quemador lateral no enciende.	<ol style="list-style-type: none"> 1. El cable de encendido se desprendió del encendedor eléctrico/de la válvula. 2. La distancia entre el pasador de encendido y el quemador es más de 3,96-4,72 mm (quemador lateral). 3. El cable de encendido está roto. 4. La batería murió. 5. La batería está con la polaridad incorrecta. 6. La punta del electrodo no produce chispas en el puerto del quemador. 7. No entra el gas. 8. La abertura del obturador de aire es demasiado grande. 	<ol style="list-style-type: none"> 1. Vuelva a conectar el cable de encendido al encendedor eléctrico/válvula. 2. Afloje el pasador del encendido y ajuste la distancia, luego apriételo de nuevo. 3. Llame al servicio al cliente para encargar un cable de encendido de repuesto. 4. Instale una nueva batería AA. 5. Cambie la polaridad de la batería. 6. Vuelva a colocar el electrodo. 7. Abra la válvula del regulador. 8. Afloje el obturador de aire y ajuste la apertura a un tamaño menor.
La llama del quemador es amarilla y hay olor a gas.	<ol style="list-style-type: none"> 1. Hay arañas o insectos bloqueando el obturador de aire. 	<ol style="list-style-type: none"> 1. Limpie cualquier obstrucción, busque las causas de fugas de gas.
Llamaradas excesivas	<ol style="list-style-type: none"> 1. Asando carnes muy grasosas. 2. Perillas en "HIGH". 3. Rociado agua en las llamas de gas. 4. Tapa cerrada cuando se asa. 	<ol style="list-style-type: none"> 1. Cocine las carnes grasosas cuando las parrillas estén frías mientras las perillas estén en la posición "LOW". Mueva las carnes a la parrilla para calentar si las llamaradas continúan y hasta que las llamaradas se calmen. 2. Antes de empezar a asar en la parrilla, gire las perillas a la posición "OFF". 3. Nunca rocíe agua en las llamas de gas. 4. Abra la tapa cuando cocine.
El quemador se apaga	<ol style="list-style-type: none"> 1. El tanque de propano líquido está vacío. 2. El quemador no está alineado con la válvula de control. 3. El suministro de gas no es suficiente. 	<ol style="list-style-type: none"> 1. Rellene el tanque de propano líquido. 2. Instale correctamente el quemador. 3. Revise la manguera de suministro de gas y asegúrese de que no haya fugas ni nudos.

DETECCIÓN DE PROBLEMAS

PROBLEMA	POSIBLE CAUSA	ACCIÓN CORRECTIVA
Temperatura baja con la perilla en la posición "HIGH".	<ol style="list-style-type: none"> 1. Los puertos están bloqueados. 2. El tanque de propano líquido se ha terminado. 	<ol style="list-style-type: none"> 1. Limpie los puertos de cualquier obstrucción. 2. Rellene al tanque de propano líquido.
Baja temperatura, gas propano líquido.	El del regulador de propano tiene un dispositivo de exceso de flujo diseñado para suministrar a la parrilla suficiente flujo de gas. Los rápidos cambios en la presión pueden disparar el dispositivo de exceso de flujo, proporcionando una llama baja lento y baja temperatura.	<p>Por favor, siga estas instrucciones:</p> <ol style="list-style-type: none"> 1. Asegúrese de que todos los quemadores estén en "OFF". 2. Abra la válvula del tanque y espere 5 minutos. 3. Encienda los quemadores, uno a la vez, siguiendo las instrucciones de encendido que aparecen en interior de la puerta y en la página 57.

GARANTÍA

Se requiere una prueba de la compra para acceder a este programa de garantía que entra en vigor a partir de la fecha de compra. Los clientes serán responsables de pagar los costos de las piezas, el envío y el manejo si no se presenta una prueba de compra, o después del vencimiento de la garantía.

Si tiene alguna pregunta o problema, puede llamar a nuestro departamento de servicio al cliente al **1-800-963-0211**, de 8 a.m. a 6 p.m., hora del este, de lunes a jueves, y de 8 a.m. a 5 p.m., hora del este, los viernes.

Garantía limitada

5 años de garantía en los quemadores de acero inoxidable.

1 año de garantía en todas las partes que afectan el funcionamiento de la parrilla a gas por daños.

Condiciones de la garantía:

Esta garantía no es transferible y no cubre fallas debido al mal uso o instalación o mantenimiento incorrectos.

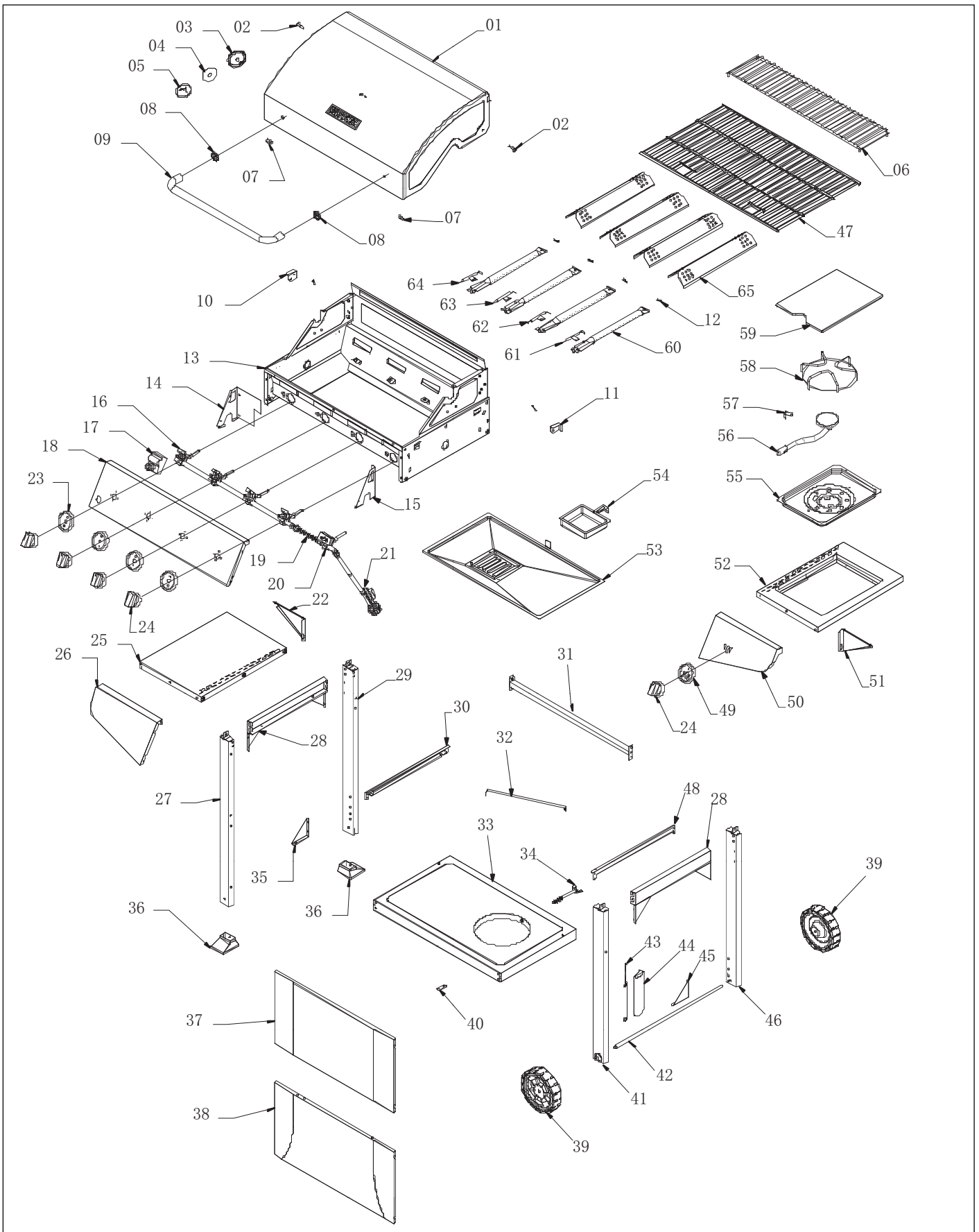
Esta garantía cubre la sustitución de piezas defectuosas solamente. No nos hacemos responsables de los daños incidentales o consecuentes o costos por mano de obra.

Esta garantía no cubre la corrosión o decoloración después de usar la parrilla, o la falta de mantenimiento, medio ambiente hostil, accidentes, alteraciones, abuso o negligencia.

Esta garantía no cubre los daños causados por el calor, productos de limpieza abrasivos y químicos, o cualquier daño a otros componentes utilizados en la instalación o funcionamiento de la parrilla a gas.

Algunos estados no permiten la limitación o exclusión de daños incidentales o consecuentes, de modo que las limitaciones o exclusiones anteriores pueden no aplicarse en su caso. Esta garantía le concede derechos legales específicos y usted también puede tener otros derechos que varían de estado a estado.

VISTA AMPLIADA



LISTA DE LAS PIEZAS DE REPUESTO

PIEZA	DESCRIPCIÓN	CANTIDAD	PIEZA	DESCRIPCIÓN	CANTIDAD
1	TAPA DE LA PARRILLA	1	24	PERILLA	5
2	TORNILLO DE LA BISAGRA DE LA TAPA	2	25	REPISA LATERAL IZQUIERDA	1
3	MOLDURA DEL INDICADOR DE TEMPERATURA	1	26	FRENTE DE LA REPISA LATERAL IZQUIERDA	1
4	ESPACIADOR AISLANTE TÉRMICO DEL INDICADOR DE TEMPERATURA	1	27	PATA FRONTAL IZQUIERDA DEL CARRO	1
5	INDICADOR DE TEMPERATURA	1	28	REFUERZO LATERAL DEL CARRO	2
6	PARRILLA PARA CALENTAR	1	29	PATA TRASERA IZQUIERDA DEL CARRO	1
7	PARAGOLPES DE LA TAPA	2	30	SOPORTE IZQUIERDO DE LA BANDEJA DE GOTEO	1
8	MOLDURA DEL ASA DE LA TAPA	2	31	REFUERZO TRASERO DEL CARRO	1
9	ASA DE LA TAPA	1	32	BARRA DE TOPE DEL TANQUE DE PL	1
10	TOPE IZQUIERDO DE LA TAPA	1	33	BASE DEL CARRO	1
11	TOPE DERECHO DE LA TAPA	1	34	PERNO DEL TANQUE DE PROPANO LÍQUIDO	1
12	PASADOR DE RETENCIÓN	4	35	REFUERZO ESQUINERO IZQUIERDO	1
13	CÁMARA DE COMBUSTIÓN	1	36	PIE DE LA PATA IZQUIERDA	2
14	SOPORTE IZQUIERDO DEL PANEL DE CONTROL	1	37	PARTE SUPERIOR DEL PANEL FRONTAL DEL CARRO	1
15	SOPORTE DERECHO DEL PANEL DE CONTROL	1	38	PARTE INFERIOR DEL PANEL FRONTAL DEL CARRO	1
16	COLECTOR PRINCIPAL DE GAS	1	39	RUEDA	2
17	ENCENDEDOR ELECTRÓNICO	1	40	SOPORTE DEL PANEL FRONTAL DEL CARRO	1
18	PANEL DE CONTROL	1	41	PATA FRONTAL DERECHA DEL CARRO	1
19	MANGUERA DEL QUEMADOR LATERAL	1	42	EJE	1
20	VÁLVULA DEL QUEMADOR LATERAL	1	43	ACCESORIO PARA ENCENDER CON CERILLA	1
21	REGULADOR DE PL	1	44	PRESILLA PARA CERRILLA	1
22	SOPORTE DE LA REPISA LATERAL IZQUIERDA	1	45	REFUERZO ESQUINERO DERECHO	1
23	MOLDURA DE LA PERILLA	4	46	PATA TRASERA DERECHA DEL CARRO	1

LISTA DE LAS PIEZAS DE REPUESTO

PIEZA	DESCRIPCIÓN	CANTIDAD	PIEZA	DESCRIPCIÓN	CANTIDAD
47	PARRILLA DE COCCIÓN	2	60	QUEMADOR PRINCIPAL	4
48	SOPORTE DERECHO DE LA BANDEJA DE GOTEO	1	61	ELECTRODO A DEL QUEMADOR PRINCIPAL	1
49	MOLDADURA DE LA PERILLA DEL QUEMADOR LATERAL	1	62	ELECTRODO B DEL QUEMADOR PRINCIPAL	1
50	PANEL DE CONTROL DEL QUEMADOR LATERAL	1	63	ELECTRODO C DEL QUEMADOR PRINCIPAL	1
51	SOPORTE DE LA REPISA LATERAL DERECHA	1	64	ELECTRODO D DEL QUEMADOR PRINCIPAL	1
52	REPISA LATERAL DERECHA	1	65	DIFUSOR DE LLAMA	4
53	BANDEJA DE GOTEO	1	66	AA - TORNILLO DE 5-32-32 X 1/2 PULG.	49
54	TAZA DE GOTEO	1	67	BB-TORNILLO DE 1/4-20 X 1/2 PULG.	24
55	BANDEJA DEL QUEMADOR LATERAL	1	68	CC - TORNILLO DE 1/4-20 X 3/4 PULG.	4
56	QUEMADOR LATERAL	1	69	DD - ARANDELA DE PRESIÓN	6
57	ELECTRODO DEL QUEMADOR LATERAL	1	70	EE - ARANDELA DEL EJE	1
58	PARRILLA DE COCCIÓN DEL QUEMADOR LATERAL	1	71	FF - PASADOR DE RETENCIÓN	3
59	TAPA DEL QUEMADOR LATERAL	1	72	GG - BATERÍA AA	1

Master Forge y el diseño de la M son marcas registradas de LF, LLC. Todos los derechos reservados.

Impreso en China