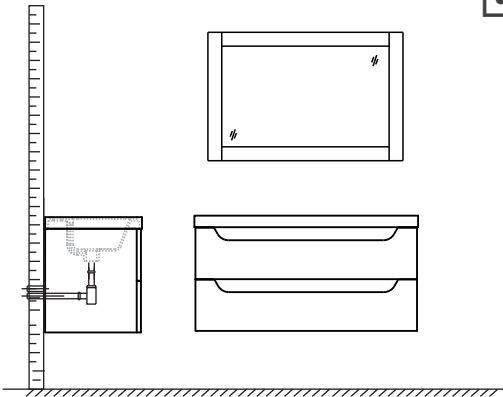
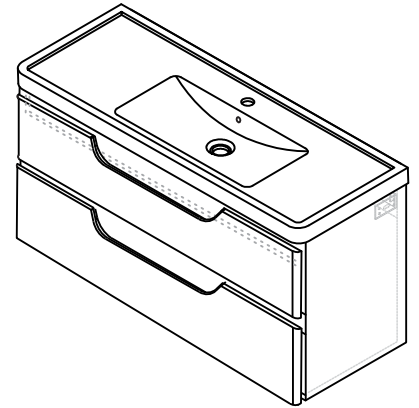


WYNDHAM COLLECTION

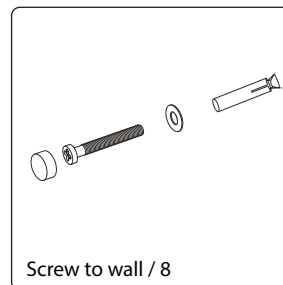
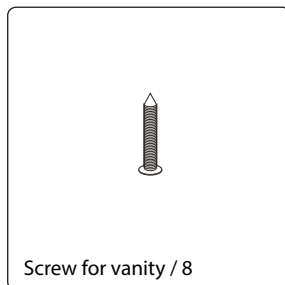
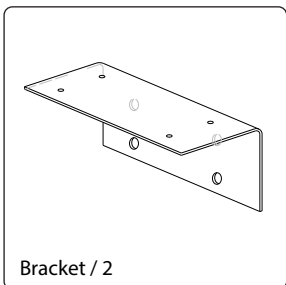
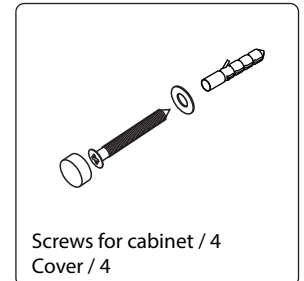
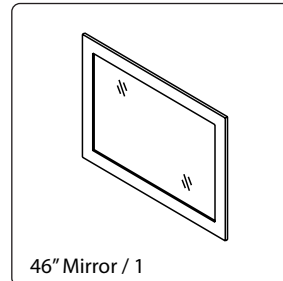
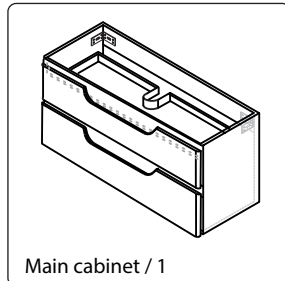
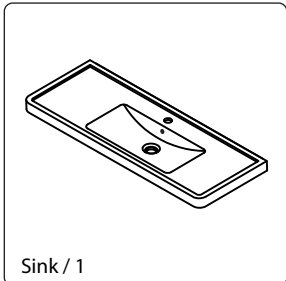


- Prior to installation please check received items against the "Packing List". Please report any missing items to your retailer immediately.
- Protect all surfaces from sharp objects, high heat sources, direct prolonged sunlight and chemical hazards.
- Professional installation recommended.

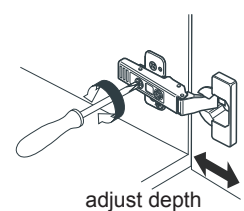
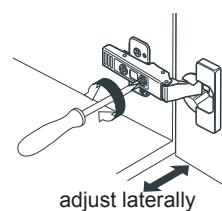
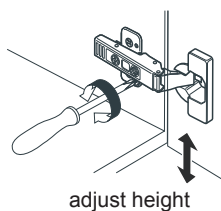
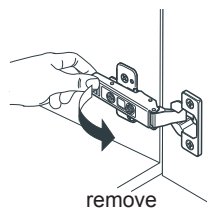
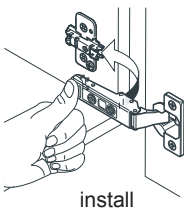


PACKING LIST

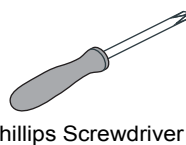
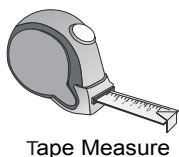
(Not all components may be included, depending on your purchase)



INSTALLATION AND ADJUSTMENT OF HINGES (if required)



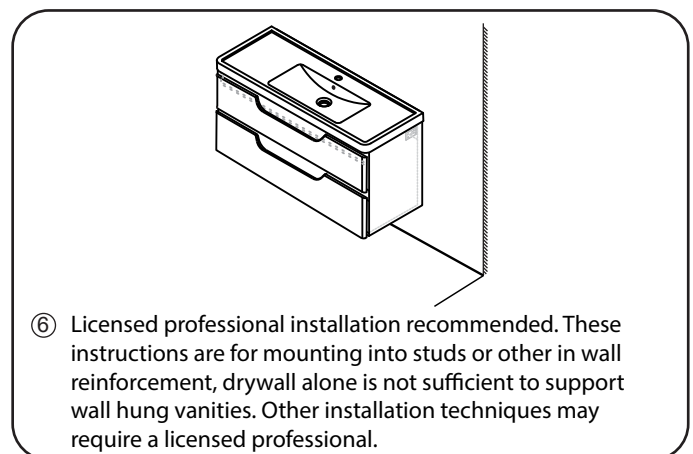
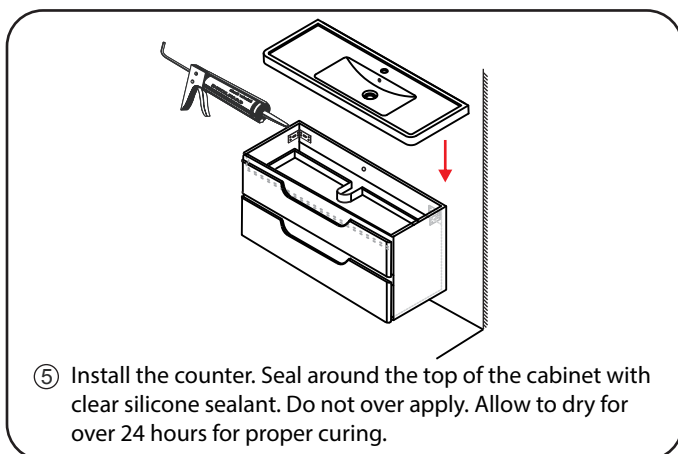
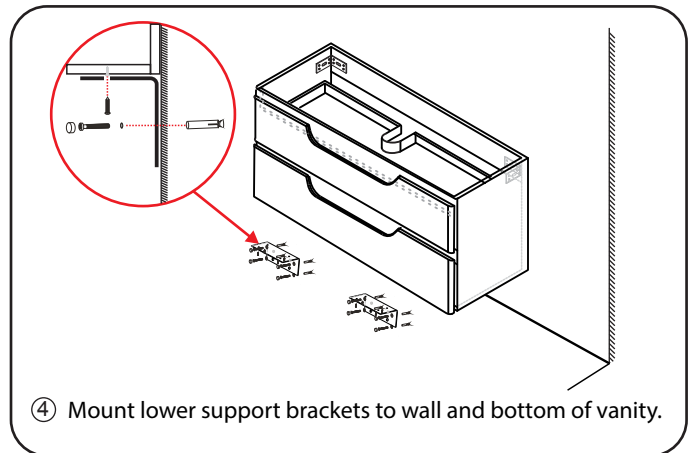
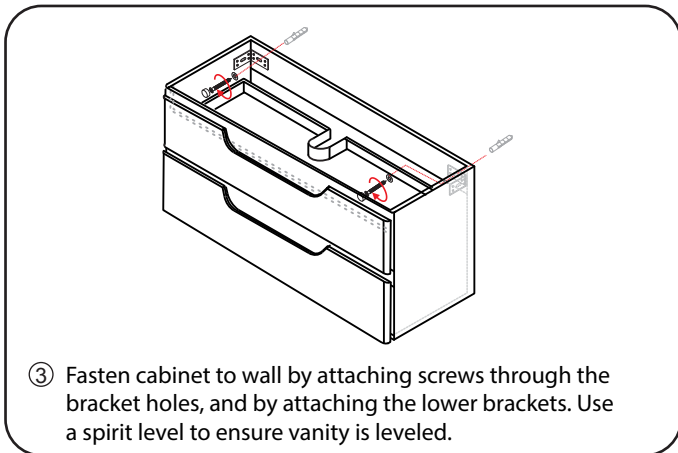
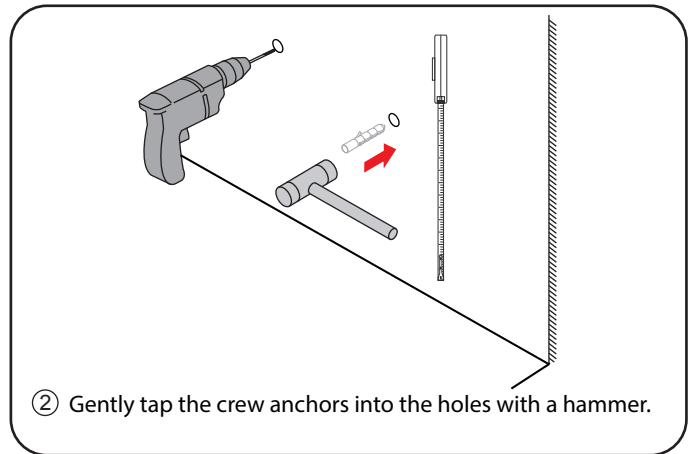
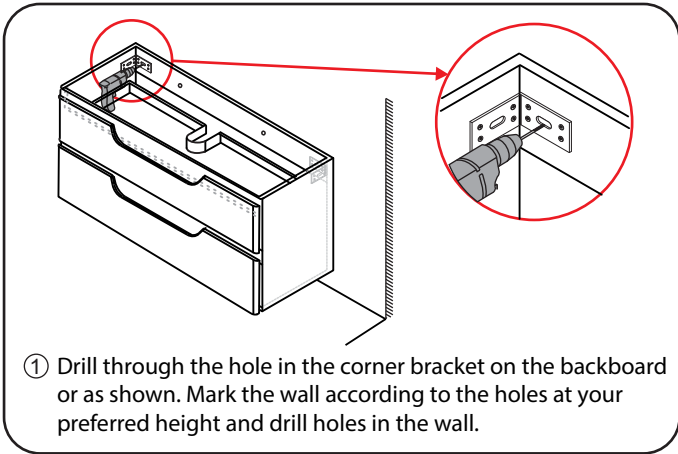
REQUIRED TOOLS NOT IN BOX



WC-7777-48
INSTALLATION-GUIDE

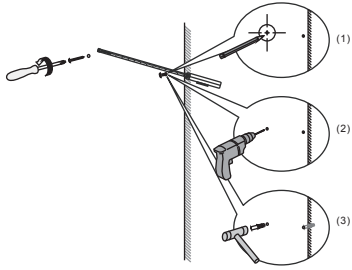
WYNDHAM COLLECTION

INSTALLATION INSTRUCTIONS

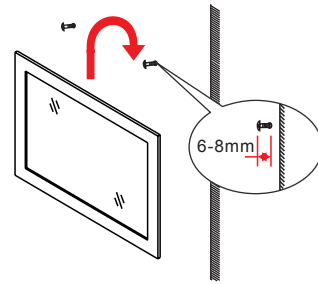


WC-7777-48
INSTALLATION-GUIDE

WYNDHAM COLLECTION



- ⑦ Install the mirror: use a pencil to mark the placement of the screw holes on the wall, drill the holes and insert the plastic wall anchors.



- ⑧ Install the screws into the wall anchors, leaving enough of the screw exposed to hang the mirror - approx. 1/4"-1/2".

WC-7777-48
INSTALLATION-GUIDE