



protect. teach. love.

Freedom™ Aluminum Pet Door

La chatière en aluminium

Freedom™

La Puerta de aluminio para mascotas Freedom™

Installation Guide
Manuel d'installation
Manual de instalación



Model Numbers
Numéros de modèles
Números de modelo

PPA00-10859
PPA00-10860
PPA00-10861
PPA00-10862
HPA11-11598
HPA11-11599
HPA11-11600
HPA11-11601

PLEASE READ THIS ENTIRE GUIDE BEFORE INSTALLING.
VEUILLEZ LIRE TOUT CE MANUEL AVANT DE COMMENCER.
POR FAVOR, LEA COMPLETAMENTE ESTA GUÍA ANTES DE COMENZAR.

IMPORTANT SAFETY INFORMATION

Explanation of Attention Words and Symbols used in this guide

! This is the safety alert symbol. It is used to alert you to potential personal injury hazards. Obey all safety messages that follow this symbol to avoid possible injury or death.

! WARNING **WARNING** indicates a hazardous situation which, if not avoided, could result in death or serious injury.

! CAUTION **CAUTION**, used with the safety alert symbol, indicates a hazardous situation which, if not avoided, could result in minor or moderate injury.

NOTICE **NOTICE** is used to address safe use practices not related to personal injury.

! WARNING

- When children are present in the home, it is important to consider the pet door during child proofing activities. The pet door may be misused by a child resulting in the child accessing potential hazards that may be on the other side of the pet door. Purchasers/Homeowners with swimming pools should ensure that the pet door is monitored at all times and that the swimming pool has adequate barriers to entry. If a new hazard is created inside or outside of your home, which may be accessed through the pet door, Radio Systems® Corporation recommends that you properly guard access to the hazard or remove the pet door. The closing panel or lock, if applicable, is provided for aesthetic and energy efficiency purposes and is not intended as a security device. Radio Systems® Corporation will not be liable for unintended use and the purchaser of this product accepts full responsibility for oversight of the opening it creates.
- Power Tools. Risk of severe injury; follow all safety instructions for your power tools. Be sure to always wear your safety goggles.

! CAUTION

- The user, prior to installation, must become familiar with all building codes that may affect the installation of the pet door and determine, along with a licensed contractor, its suitability in a given installation. This pet door is not a fire door. It is important for the owner and contractor to consider any risks that may be present inside or outside of the pet door, and any risks that may be created by subsequent changes to your property and how they may relate to the existence and use, including misuse of the pet door.

NOTICE

- Keep these instructions with important papers; be sure to transfer these instructions to the new owner of the property.

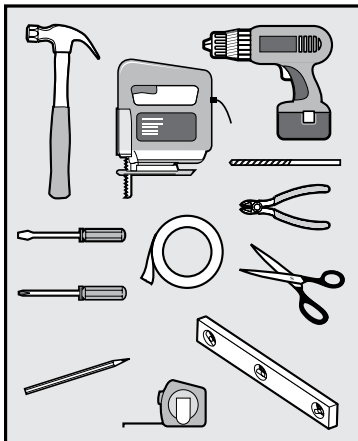
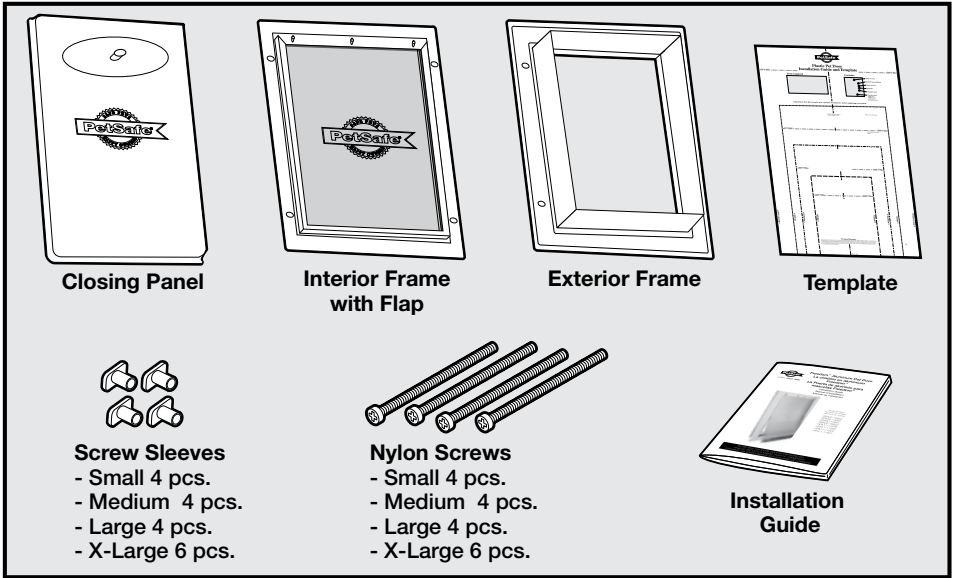
Thank you for choosing the PetSafe® brand. You and your pet deserve a companionship that includes memorable moments and a shared understanding together. Our products and training tools enhance the relationship between pets and their owners. If you have any questions about our products or training your pet, please visit our website at www.petsafe.net or contact our Customer Care Center at 1-800-732-2677.

To get the most protection out of your warranty, please register your product within 30 days at www.petsafe.net. By registering and keeping your receipt, you will enjoy the product's full warranty and should you ever need to call the Customer Care Center, we will be able to help you faster. Most importantly, PetSafe® will never give or sell your valuable information to anyone. Complete warranty information is available online at www.petsafe.net.

Table of Contents

Components.....	4
Key Definitions	4
Installing Your Pet Door	
Determine Pet Door Location	5
Prepare Door.....	5
Cut Pet Door Opening	6
Drill Holes for Frame	6
Install Pet Door	7
Train Your Pet.....	8
Replacement Flaps.....	8
Replacement Parts and Accessories	8
Terms of Use and Limitation of Liability	9
Customer Care International	9
Warranty	9
Français	11
Español	19

Components



Tools Needed

- Hammer
- Jigsaw
- Drill
- 1/2" & 3/8" Drill Bits
- Wire Cutters
- Slotted & Phillips Screwdrivers
- Masking or Painter's Tape
- Scissors
- Pencil
- Tape Measure
- Level
- Safety Equipment

Optional

- Pliers
- Caulk

NOTE: The PetSafe® Freedom™ Aluminum Pet Door can be installed in most doors and walls. Additional tools and materials, such as wood framing, may be required.

Key Definitions

Outer Frame Size: Overall pet door dimensions

Cut Out Size: Opening cut in homeowner's door for proper fit and pet door installation

Replacement Flap Size: Overall flap size when removed from pet door. During extreme changes in weather, vinyl flaps can shrink during cold months and stretch in warmer months

Flap Opening Size: Usable flap size for pet to enter and exit through pet door

Interior Frame: Pet door frame on the inside of home

Exterior Frame: Pet door frame on the outside of home

Closing Panel: Cover that snaps onto the pet door frame to close the pet door opening

Installing Your Pet Door

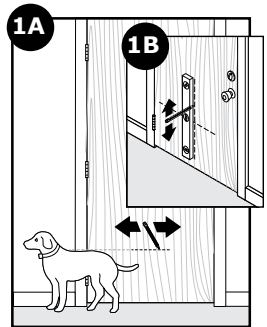
Step 1

Determine Pet Door Location

1A. Measure and mark your pet's shoulder height on the door.

1B. Determine location for the pet door. Draw a vertical center line through the shoulder height line using a level.

NOTE: If homeowner's door or other application is not level, the pet door must be marked level to swing properly.



Step 2

Prepare Door

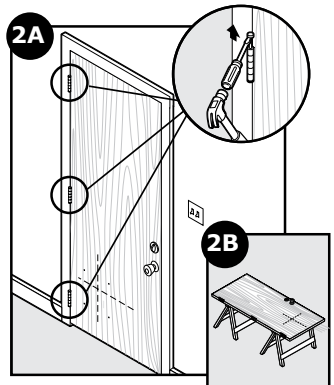
2A. Remove door from hinges.

2B. Place on a raised level surface such as saw horses.

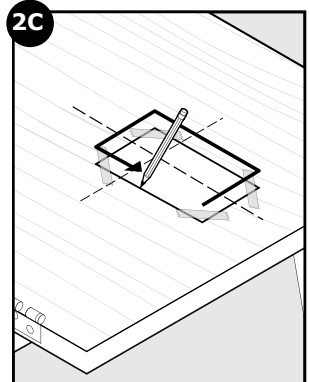
Helpful Tip: Clamp or weigh down the door to prevent it from moving.

NOTE: The Pet Door can be installed with the door hanging based on your skill level.

2C. Cut out the correct template size. Match the marked lines on the door with the shoulder and center lines on the template. Tape the template in place and carefully trace template. Make sure to trace underneath tape and connect the corners. Now, remove the template and any excess tape from the door.



NOTICE When applying template there should be a minimum of 3" between the bottom and sides of the door and the outer edge of the template to maintain the structural integrity of the door.



Step 3

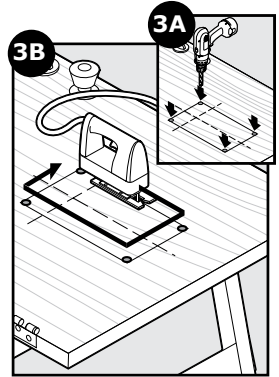
Cut Pet Door Opening

3A. Drill $\frac{3}{8}$ " holes in inside corners of drawn template. These will be the pilot holes for the saw blade.

Helpful Tip: Use both hands to hold drill steady and straight at a 90° angle.

3B. Beginning in one of the holes you just drilled, cut along the drawn template lines. After cutting out the opening, you may need to recut to square opening. This is necessary for the pet door frame to fit correctly.

Helpful Tip: Use a proper saw blade according to door material (for example a wood blade for wood door and metal blade for a metal door). When cutting use both hands to hold the saw slow, steady and straight at a 90° angle. This will prevent the blade from cutting unevenly between interior and exterior areas of door.



NOTICE

Make sure there is nothing underneath the door where you will be drilling the holes or cutting out opening.

Step 4

Drill Holes for Frame

Fit ✓

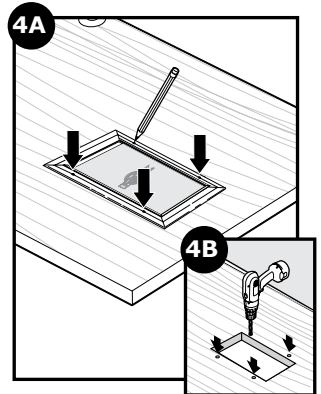
Check Before putting away the jigsaw, place the interior frame (frame with the flap) inside the cut out and check the fit. Then, place the exterior frame into the underside of the door to check the fit. If frames do not fit inside the opening, you may need to recut to square opening before proceeding with installation.

4A. Hold the interior frame (the frame with the flap) in position. Mark the screw holes.

4B. Remove the interior frame and drill $\frac{1}{4}$ " holes.

Helpful Tip: Use both hands to hold drill steady and straight at a 90° angle.

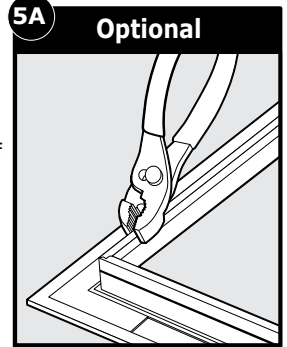
NOTE: Please note X-Large Freedom™ Aluminum Pet Door has 6 screw placement holes.



Install Pet Door

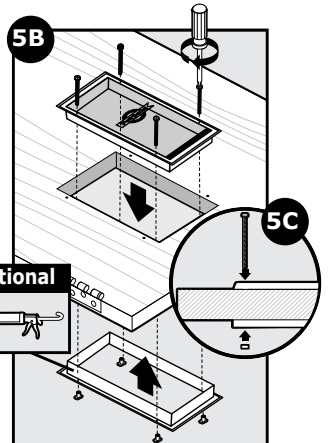
Helpful Tip: Tape the flap up to keep it out of the way during the installation.

- 5A. Optional:** Depending if your door is 1" thick or less, break away core frames of the interior and exterior frames. Use pliers to slowly and steadily bend down small sections across frame at grooved line. Go across the frame again in the same direction working the excess frame into a 90° angle. Next go back across frame in the opposite direction to slowly break off the excess.



- 5B.** Place interior frame (frame with the flap) in cutout. Next place exterior frame into cutout from underside of the door. Hold frame pieces together with one hand.

- 5C.** Drop nylon screws through holes in frame and match screw sleeve to bottom side of each screw. Pull up screw to position screw sleeve flush into exterior frame. While continuing to hold frames, tighten screws until frames come together.

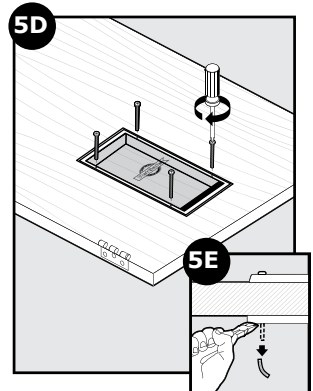


Optional: Caulk around the exterior frame (frame without the flap) and inside threshold where core covers meet for weather resistance.

- 5D.** Use a screwdriver to evenly tighten screws throughout frame. It may be necessary to adjust screws to make sure pet door fit is correct.

- 5E.** Cut off excess screw length with wire cutters. Hold wire cutters flush with frame for a clean, level cut.

Helpful Tip: Any rough edges of nylon screws left by wire cutters can be removed with a metal file.

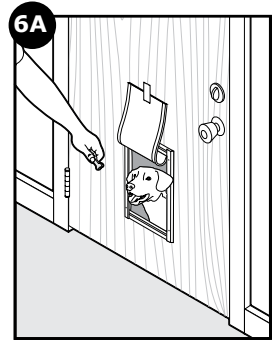


NOTICE Use a manual screwdriver to tighten the screws. Do not overtighten. Overtightening can strip the thread off the screws or bow the pet door frame.

Train Your Pet

6A. Rehang your door and begin training your pet. Tape the flap open to help your pet become familiar with the opening.

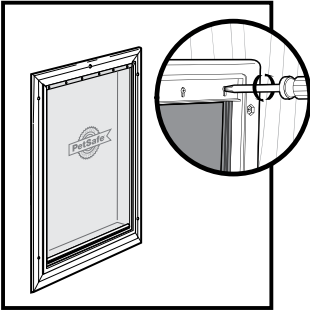
Helpful Tip: Try treats to encourage your pet to go through the pet door and become comfortable using it.



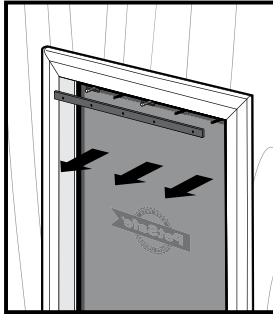
Replacement Flaps

Replace & Adjust

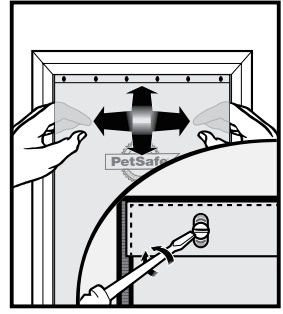
During extreme changes in weather, vinyl flaps can shrink during cold months and stretch in warmer months. Easily replace or adjust to ensure a snug fit during seasonal changes.



To Replace: Remove screws from the interior frame of pet door.



Remove bar and flap.



Replace new vinyl flap and position horizontally and vertically to fit into door frame. Replace existing bar and tighten screws in place.

To Adjust: Slightly loosen screws from interior frame of pet door.

Slightly move bar away from flap.

Adjust flap horizontally and/or vertically to fit into door frame. Push bar towards flap and tighten screws in place.

Replacement Parts and Accessories

To purchase replacement parts for your PetSafe® Freedom™ Aluminum Pet Door, contact our Customer Care Center at 1-800-732-2677 or visit our website at www.petsafe.net.

Freedom™ Aluminum Pet Door	Replacement Part Number
Small Replacement Flap	PAC11-11037
Medium Replacement Flap	PAC11-11038
Large Replacement Flap	PAC11-11039
Extra Large Replacement Flap	PAC11-11040

Terms of Use and Limitation of Liability

1. Terms of Use

This Product is offered to you conditioned upon your acceptance without modification of the terms, conditions and notices contained herein. Usage of this Product implies acceptance of all such terms, conditions, and notices.

2. Proper Use

This Product is designed for use with pets where training is desired. The specific temperament of your pet may not work with this Product. If you are unsure whether this is appropriate for your pet, please consult your veterinarian or certified trainer. Proper use includes reviewing the entire Operating Guide provided with your Product and any specific Caution statements.

3. No Unlawful or Prohibited Use

This Product is designed for use with pets only. This pet training device is not intended to harm, injure, or provoke. Using this Product in a way that is not intended could result in violation of Federal, State or local laws.

4. Limitation of Liability

In no event shall Radio Systems® Corporation be liable for any direct, indirect, punitive, incidental, special or consequential damages, or any damages whatsoever arising out of or connected with the use or misuse of this Product. Buyer assumes all risks and liability from the use of this Product.

5. Modification of Terms and Conditions

Radio Systems Corporation reserves the right to change the terms, conditions and notices under which this Product is offered.

Customer Care International

USA & Canada - Tel: 800-732-2677

Monday - Friday 8 AM - 8 PM / Saturday 9 AM - 5 PM

Australia - Tel: 1800 786 608

Monday - Friday 8:30 AM - 5 PM

New Zealand - Tel: 0800 543 054

Monday - Friday 10:30 AM - 7 PM

Warranty

One Year Non-Transferrable Limited Warranty

This Product has the benefit of a limited manufacturer's warranty. Complete details of the warranty applicable to this Product and its terms can be found at www.petsafe.net and/or are available by contacting your local Customer Care Center:

Radio Systems PetSafe Europe Ltd, 2nd Floor, Elgee Building, Market Square Dundalk, Co. Louth, Ireland

Radio Systems Corporation, 10427 PetSafe Way, Knoxville, TN 37932 USA

Australia/New Zealand – In compliance with the Australian Consumer Law, Warranties Against Defects, effective January 1, 2012, warranty details of this Product are as follows:

One Year Non-Transferrable Limited Warranty

What is covered: Radio Systems Australia Pty Ltd (hereinafter referred to as "Radio Systems") warrants to the original retail purchaser, and not any other purchaser or subsequent owner, that its Product, when subject to normal and proper residential use, will be free from defects in material or workmanship for a period of one (1) year from the purchase date. An "original retail consumer purchaser" is a person or entity who originally purchases the Product, or a gift recipient of a new Product that is unopened and in its original packaging. When serviced by Radio Systems Customer Service, Radio Systems covers labor and parts for the first year of ownership; after the first year, a service or upgrade charge will apply relative to replacement of the Product with new or refurbished items at Radio Systems' sole discretion.

The limited warranty is non-transferrable and shall automatically terminate if the original retail consumer purchaser resells the Radio Systems Product or transfers the property on which the Radio Systems Product is installed. This Limited Warranty excludes accidental damage due to dog chews; lightning damage; or neglect, alteration, and misuse. Consumers who purchase products outside of Australia, New Zealand, or from an unauthorized dealer will need to return the Product to the original place of purchase for any warranty issues. Please note that Radio Systems does not provide refunds, replacements, or upgrades for change of mind, or any other reason outside of these Warranty terms.

Claims Procedure

Any claim made under this Warranty should be made directly to Radio Systems Australia Pty Ltd Customer Care Centre at:

Radio Systems Australia Pty Ltd
PO Box 765, Mudgeeraba QLD 4213
Australia Residents: 1800 786 608
New Zealand Residents: 0800 543 054
Email: info@petsafeaustralia.com.au

To file a claim, a proof of purchase must be provided. Without a proof of purchase, Radio Systems will not repair or replace faulty components. Radio Systems requests the Consumer to contact the Radio Systems Customer Care Center to obtain a Warranty Return Number, prior to sending the Product. Failure to do so may delay in the repair or replacement of the Product.

If the Product is deemed to be faulty within 30 days from date of original purchase, Radio Systems will organize for a replacement to be sent in advance of returning the faulty Product. A Post Bag will be included with the replacement Product for the return of the faulty Product. The Product must be returned within 7 days of receiving the replacement. If the Product is deemed to be faulty after 30 days from the date of original purchase, the consumer will be required to return the Product to Radio Systems at the consumer's own expense. Radio Systems will test and replace the faulty unit or its components and return to the consumer free of charge, provided the Product is within its said warranty period. This warranty is in addition to other rights and remedies available to you under the law. Radio Systems goods come with guarantees that cannot be excluded under the Australia Consumer Law. You are entitled to a replacement or refund for a major failure and for compensation for any other reasonably foreseeable loss or damage. You are also entitled to have the goods repaired or replaced if the goods fail to be of acceptable quality and the failure does not amount to a major failure.

Should you have any queries or require any further information, please contact our Customer Care Center on 1800 786 608 (Australia) or 0800 543 054 (New Zealand).

CONSIGNES DE SÉCURITÉ IMPORTANTES

Explication des avis et symboles utilisés dans le présent manuel

! Il s'agit d'un symbole d'alerte relatif à la sécurité. Il sert à vous avertir d'un risque de blessure. Respectez tous les messages de sécurité qui suivent ce symbole afin d'éviter tout risque de blessure ou de mort.

⚠ AVERTISSEMENT **AVERTISSEMENT** indique une situation dangereuse qui, si elle n'est pas évitée, pourrait causer des blessures graves ou la mort.

⚠ ATTENTION **ATTENTION**, utilisé avec le symbole d'alerte de sécurité, indique une situation dangereuse qui, si elle n'est pas évitée, pourrait causer une blessure légère ou modérée.

AVIS **AVIS** indique les pratiques d'utilisation sûres qui ne risquent pas de causer des blessures corporelles.

⚠ AVERTISSEMENT

- Si vous avez des enfants à la maison, il est important de tenir compte de la chatière lorsqu'il est question d'assurer la sécurité des enfants. La chatière pourrait être mal employée par un enfant et l'exposer à des dangers éventuellement présents de l'autre côté de la chatière. Les acheteurs/propriétaires qui ont une piscine doivent s'assurer que la chatière est surveillée en permanence et que la piscine est entourée de barrières adéquates. Si vous effectuez une installation qui pourrait créer un nouveau danger à l'extérieur ou à l'intérieur de votre maison et que la chatière y donne accès, Radio Systems® Corporation vous recommande de protéger correctement l'accès à ce danger potentiel ou de retirer la chatière. Le panneau de fermeture ou le verrou, le cas échéant, est fourni à des fins esthétiques et d'économie d'énergie ; il ne s'agit pas d'un dispositif de sécurité. Radio Systems® Corporation décline toute responsabilité en cas d'utilisation incorrecte du produit et la responsabilité de surveiller l'ouverture créée par ce dispositif revient entièrement à l'acheteur.
- Outils électriques. Risque de blessure grave; respectez toutes les directives relatives à la sécurité qui accompagnent vos outils électriques. Veillez à toujours porter vos lunettes de protection.

⚠ ATTENTION

- Avant l'installation, l'utilisateur doit se familiariser avec les codes de construction susceptibles d'affecter l'installation de la chatière et déterminer, avec l'aide d'un entrepreneur agréé, son caractère approprié dans une installation donnée. Cette chatière n'est pas une porte coupe-feu. Il est important pour le propriétaire et l'entrepreneur de prendre en compte tous les risques éventuels à l'intérieur ou à l'extérieur de la chatière ainsi que tous les risques consécutifs aux modifications ultérieures de votre propriété, et l'impact que celles-ci peuvent avoir sur l'existence, l'utilisation, et même le mauvais usage, de la chatière.

AVIS

- Gardez ces instructions avec les documents importants; veillez à les transférer au nouveau propriétaire de votre maison, le cas échéant.

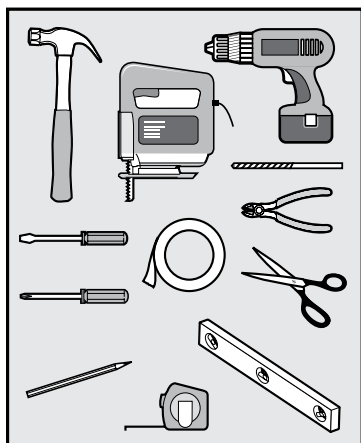
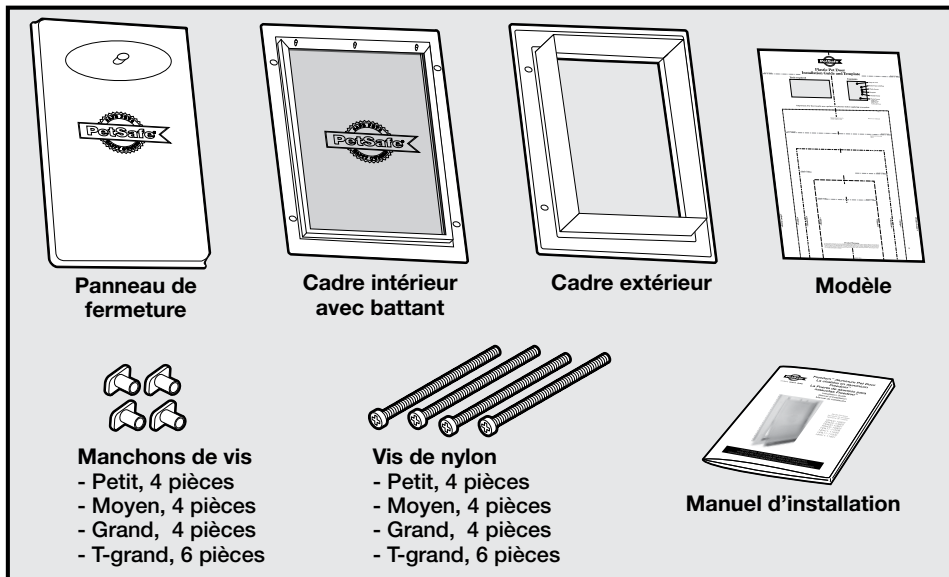
Merci d'avoir choisi la marque PetSafe®. Vous et votre animal méritez une camaraderie qui comprend des moments mémorables et une compréhension partagée. Nos produits et nos outils de dressage permettent aux animaux et leurs propriétaires de vivre une meilleure relation. Si vous avez des questions sur nos produits ou l'entraînement de votre animal, veuillez visiter notre site Internet au www.petsafe.net ou contactez notre service à la clientèle au numéro 1 800 732-2677.

Pour obtenir la protection maximale de votre garantie, veuillez enregistrer votre produit sur notre site Web dans les 30 jours suivant votre achat à l'adresse www.petsafe.net. En enregistrant votre produit moins de 30 jours après la date d'achat et en conservant votre reçu, vous bénéficierez d'une réponse plus rapide du service à la clientèle s'il advenait que vous deviez communiquer avec eux. Plus important encore, PetSafe® remettra ni ne vendra de renseignements importants à votre sujet à quiconque. L'information complète de la garantie est disponible en ligne à l'adresse www.petsafe.net.

Table des matières

Contenu du kit.....	13
Définitions.....	13
Installer votre la chatière	
Déterminer l'emplacement de la chatière.....	14
Préparer la chatière.....	14
Découper l'ouverture de la chatière.....	15
Percer les trous du cadre.....	15
Installer la chatière.....	16
Dresser votre animal.....	17
Battants de rechange.....	17
Pièces de rechange et accessoires.....	17
Conditions d'utilisation et limitation de responsabilité.....	18
Service à la clientèle international.....	18
Garantie.....	18

Contenu du kit



Outils nécessaires

- Marteau
- Scie sauteuse
- Perceuse
- Fleurets de 1,27 et 0,95 cm (1/2 et 3/8")
- Cisaille
- Tournevis cruciforme et pour écrous à fente
- Ruban masque ou de peintre
- Ciseaux
- Crayon
- Ruban à mesurer
- Niveau
- Équipement de sécurité

En option

- Pincettes
- Matériau d'étanchéité

REMARQUE : La châtière en aluminium PetSafe® Freedom™ peut être installée dans la plupart des portes et des murs. D'autres outils et matériaux, comme un cadre de bois, pourraient être nécessaires.

Définitions

Taille du cadre extérieur : dimensions hors-tout de la châtière

Taille de la découpe : taille de l'ouverture découpée dans la porte du propriétaire pour pouvoir installer correctement la châtière.

Dimensions du battant de rechange : dimensions hors-tout du battant une fois retiré de la châtière. Pendant les changements extrêmes de conditions météo, les battants de vinyle peuvent rapetisser lors des grands froids d'hiver et prendre de l'expansion pendant les canicules estivales

Taille de l'ouverture du rabat : dimension utile du battant pour que l'animal puisse entrer et sortir par la châtière

Cadre intérieur : Cadre de la châtière se trouvant vers l'intérieur de la maison

Cadre extérieur : Cadre de la châtière se trouvant vers l'extérieur de la maison

Panneau de fermeture : Couvercle se verrouillant sur le cadre de la châtière pour en fermer l'ouverture

Installer votre la chatière

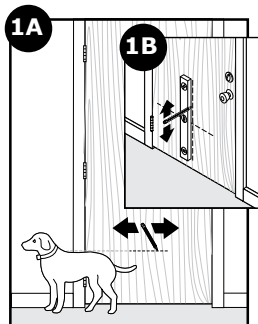
Étape 1

Déterminer l'emplacement de la chatière

1A. Mesurer et marquer la hauteur à l'épaule de votre animal sur la porte.

1B. Déterminer l'emplacement de la chatière. Tracer une ligne centrale verticale croisant la ligne représentant la hauteur à l'épaule de l'animal à l'aide d'un niveau.

REMARQUE : Si la porte du propriétaire ou tout autre support n'est pas bien nivelé, la chatière doit être installée à niveau afin de basculer correctement.



Étape 2

Préparer la chatière

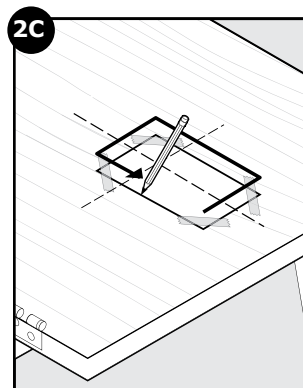
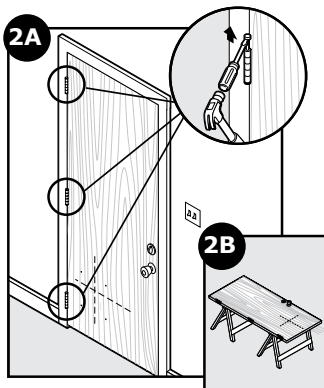
2A. Retirer la porte de ses charnières.

2B. La placer sur une surface surélevée, comme des bancs de scie.

Astuce : Coincer la porte avec des pinces ou la charger de poids pour éviter qu'elle ne bouge.

REMARQUE : La chatière peut être installée avec le battant suspendu si vos aptitudes le permettent.

2C. Couper le modèle aux bonnes dimensions. Aligner les lignes marquées sur la porte sur la ligne représentant la hauteur à l'épaule de l'animal et la ligne centrale sur le modèle. Coller le modèle en place avec du ruban adhésif en place et tracer soigneusement ses contours. S'assurer de faire le tracé en dessous du ruban adhésif et de relier les coins. Retirer ensuite le modèle et tout surplus de ruban adhésif de la porte.



AVIS

Lors de l'application du modèle de découpe, vous devez laisser au moins 8 cm (3") entre le bas et les côtés de la porte et le bord extérieur du gabarit afin de préserver l'intégrité structurelle de la porte.

Étape 3

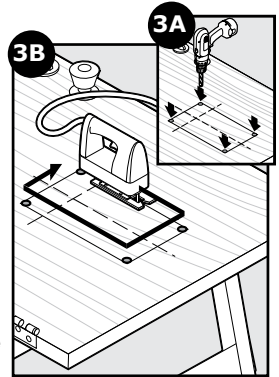
Découper l'ouverture de la chatière

3A. Percer des trous de 0,95 cm (3/8") à l'intérieur des coins du modèle dessiné. Ces trous serviront à insérer la lame de scie.

Astuce : utiliser les deux mains pour assurer la stabilité de la perceuse pour garder un angle droit de 90 degrés.

3B. En commençant par l'un des trous tout juste percés, effectuer une découpe le long des lignes du modèle tracé. Une fois l'ouverture découpée, il peut s'avérer nécessaire d'effectuer d'autres découpes afin d'égaliser l'ouverture. Cela est requis pour s'assurer que le cadre de la chatière s'ajuste correctement.

Astuce : Utiliser une lame de scie convenant au matériel (lame pour bois si la porte est en bois, lame pour métal si la porte est en métal). Au moment de couper, utiliser les deux mains pour tenir la scie stable et droite et la faire avancer lentement à un angle de 90 degrés. Cela empêchera la lame d'effectuer une découpe irrégulière entre les faces intérieure et extérieure de la porte.



AVIS

Vérifier qu'il n'y a rien sous la porte, à l'endroit où vous allez percer les trous ou découper l'ouverture.

Étape 4

Percer les trous du cadre

Verification

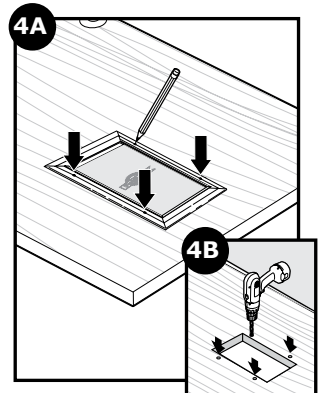
d'ajustement Avant de ranger la scie sauteuse, mettre le cadre intérieur (avec le battant) dans la découpe et vérifier l'ajustement. Placer ensuite le cadre extérieur sous la porte pour vérifier l'ajustement. Si les cadres ne s'ajustent pas à l'intérieur de l'ouverture, il peut s'avérer nécessaire de redécouper l'ouverture avant de poursuivre l'installation.

4A. Tenir le cadre intérieur (cadre avec le battant) en place. Marquer l'emplacement des trous de vis.

4B. Retirer le cadre intérieur et percer des trous de 6,4 mm (1/4").

Astuce : utiliser les deux mains pour assurer la stabilité de la perceuse pour garder un angle droit de 90 degrés.

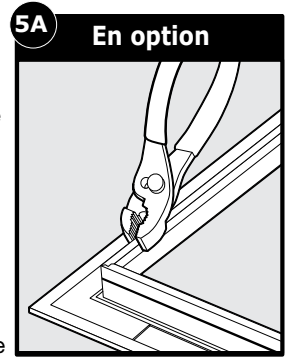
REMARQUE : Prendre en note que La chatière en aluminium Freedom™ est dotée de 6 trous de positionnement des vis.



Installer la chatière

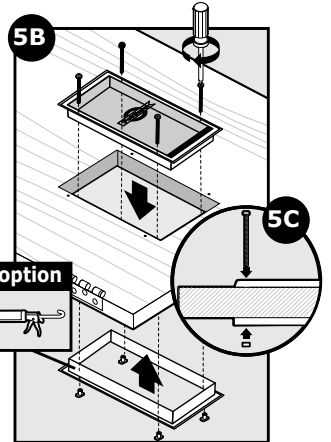
Astuce : Maintenir le battant ouvert avec du ruban adhésif pendant l'installation pour le tenir à l'écart.

5A. En option : Selon l'épaisseur de votre porte 2,5 cm (1") ou moins, briser les cadres de centre des cadres intérieur et extérieur. Utiliser des pinces pour recourber lentement et uniformément les petites sections du cadre, le long de la ligne côtélée. Passer à nouveau le long du cadre dans le même sens, en pliant l'excès de cadre à un angle de 90 degrés. Repasser ensuite sur le cadre en sens inverse pour briser l'excès en douceur.



5B. Placer le cadre intérieur (cadre avec le battant) dans l'ouverture. Placer ensuite le cadre extérieur dans l'ouverture, à partir du bas de la porte. Tenir les pièces du cadre ensemble avec une seule main.

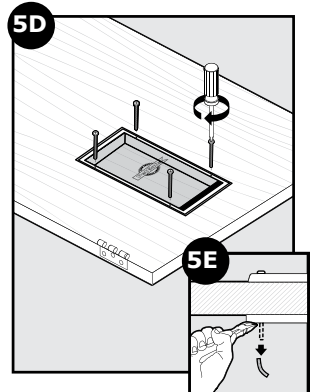
5C. Faire passer les vis de nylon dans les trous du cadre puis associer le manchon de vis sur le bas de chaque vis. Tirer les vis de manière à ce que les manchons de vis soient affleurants au cadre extérieur. Tout en continuant de maintenir les cadres, serrer les vis jusqu'à ce que les cadres soient rassemblés.



En option : Mettre du produit de calfeutrage autour du cadre extérieur (cadre sans le battant) et à l'intérieur du seuil, là où les couvercles de centre se rencontrent pour assurer la résistance aux intempéries.

5D. Utiliser un tournevis pour serrer uniformément les vis à travers le cadre. Il pourrait être nécessaire d'ajuster les vis afin que la chatière s'ajuste correctement.

5E. Couper tout excédant de vis à l'aide de cisailles. Placer les cisailles le plus près possible du cadre pour obtenir une coupe franche de niveau.



Astuce : Il est possible d'éliminer les bords grossiers des vis de nylon coupées avec les cisailles à l'aide d'une lime de métal.

AVIS

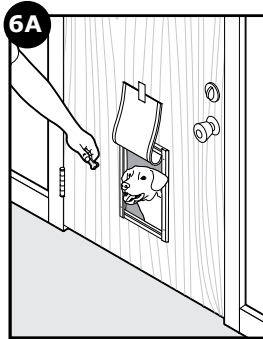
Utiliser un tournevis manuel pour serrer les vis. Ne pas trop serrer. Les filets des vis pourraient être ruinés si les vis sont trop serrées; la chatière pourrait également être déformée.

Étape 6

Dresser votre animal

6A. Remettre votre porte en place et commencer le dressage de votre animal. Maintenir le battant ouvert avec du ruban adhésif jusqu'à ce que l'animal se soit familiarisé avec l'ouverture.

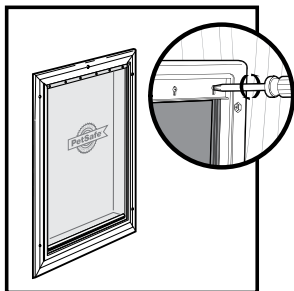
Astuce : essayez d'appâter votre animal avec des gourmandises ou des jouets pour l'inciter à passer par la chatière et se familiariser avec celle-ci.



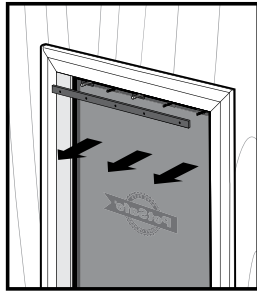
Battants de rechange

Remplacer et ajuster

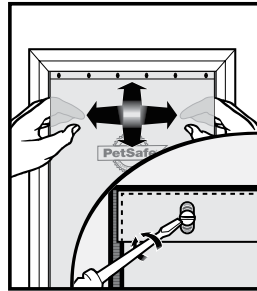
Pendant les changements extrêmes de conditions météo, les battants de vinyle peuvent rapetisser lors des grands froids d'hiver et prendre de l'expansion pendant les canicules estivales. Le battant se remplace ou s'ajuste facilement pour assurer un contact étroit pendant les changements saisonniers.



Pour remplacer : retirer les vis se trouvant du côté du cadre intérieur de la chatière.



Retirer la barre et le battant.



Remplacer le battant en vinyle par un nouveau et le placer de manière à ce qu'il s'ajuste à l'horizontale et à la verticale dans le cadre de la chatière. Remettre la barre déjà utilisée et resserrer les vis.

Pour ajuster : desserrer légèrement les vis du côté du cadre intérieur de la chatière.

Éloigner légèrement la barre du battant.

Placer le battant de manière à ce qu'il s'ajuste à l'horizontale et à la verticale dans le cadre de la chatière. Repousser la barre vers le battant et resserrer les vis.

Pièces de rechange et accessoires

Pour acheter des pièces de rechange pour votre La chatière en aluminium Freedom™ PetSafe®, communiquer avec notre service à la clientèle au 1-800-732-2677 ou se rendre sur notre site Web au www.petsafe.net.

La chatière en aluminium Freedom™	Numéro de référence de la pièce de rechange
Petit battant de rechange	PAC11-11037
Moyen battant de rechange	PAC11-11038
Grand battant de rechange	PAC11-11039
Très grand battant de rechange	PAC11-11040

Conditions d'utilisation et limitation de responsabilité

1. Conditions d'utilisation

Ce produit vous est offert conditionnellement à votre acceptation, sans modification, des conditions générales et des avis qui l'accompagnent. L'utilisation de ce produit implique une acceptation de ces conditions générales et de ces avis.

2. Utilisation adéquate

Ce produit est conçu pour être utilisé lors du dressage d'animaux de compagnie. Il se peut cependant que le tempérament particulier de votre animal ne soit pas adapté à ce Produit. Si vous n'êtes pas convaincu qu'il convienne à votre animal, veuillez consulter votre vétérinaire ou un dresseur accrédité. Vous devez lire l'intégralité du manuel d'utilisation fourni avec le produit, ainsi que tous les avertissements qui s'y rattachent.

3. Aucune utilisation illégale ou interdite

Ce produit a été conçu pour être utilisé avec des animaux uniquement. Ce dispositif de dressage d'animal n'a pas été conçu pour nuire, blesser ou provoquer. L'utilisation de ce produit d'une manière ne respectant pas son utilisation prévue peut constituer une violation de lois fédérales, d'état ou locales.

4. Limitation de responsabilité

En aucune éventualité Radio Systems® Corporation ne peut être tenu responsable pour tout dommages directs, indirects, punitifs, consécutifs, spéciaux ou accessoires ni pour tout dommages survenant ou en lien avec l'utilisation ou la mauvaise utilisation de ce produit. L'acheteur assume tous les risques et les responsabilités associés à l'utilisation de ce produit.

5. Modification des conditions

Radio Systems Corporation se réserve le droit de modifier les termes, conditions et avis sous lesquels le Produit est offert.

Service à la clientèle international

États-Unis et Canada - Tél : 800-732-2677

Du lundi au vendredi de 8h00 à 20h00 / Samedi de 9h00 à 17h00

Australie - Tél. : 1800 786 608

Du lundi au vendredi de 8h30 à 17h00

Nouvelle Zélande - Tél. : 0800 543 054

Du lundi au vendredi de 10h30 à 19h00

Garantie

Garantie limitée non transférable de un an

Ce produit est pourvu d'une garantie limitée du fabricant. Les détails complets de la garantie applicable pour ce produit et ses modalités peuvent être revus au www.petsafe.net.

INFORMACIÓN DE SEGURIDAD IMPORTANTE

Explicación de las palabras de atención y símbolos utilizados en este manual

! Este es el símbolo de alerta de seguridad. Sirve para alertarle de posibles riesgos personales. Obedezca todos los mensajes de seguridad a continuación de este símbolo para no sufrir lesiones físicas o fatales.

⚠ ADVERTENCIA **ADVERTENCIA** indica una situación peligrosa que, de no evitarse, podría producir lesiones graves o fatales.

⚠ ATENCIÓN **ATENCIÓN**, utilizada con el símbolo de alerta de seguridad, indica una situación peligrosa que, si no se evita, podría resultar en lesiones de poca gravedad o moderadas.

AVISO **AVISO** se utiliza para tratar prácticas de uso seguro no relacionadas con lesiones físicas.

⚠ ADVERTENCIA

- Cuando hay niños en la vivienda es importante tener en cuenta la puerta para mascotas para la seguridad de los niños. Un niño puede hacer uso indebido de la puerta para mascotas y encontrar posibles peligros del otro lado de la puerta para mascotas. Los compradores o propietarios de viviendas con piscinas deben asegurarse de que la puerta para mascotas esté controlada en todo momento y que la piscina tenga barreras de acceso adecuadas. Si surge un nuevo peligro dentro o fuera de su hogar, al que puede accederse por la puerta para mascotas, Radio Systems® Corporation recomienda que proteja de forma adecuada el acceso al peligro o retire la puerta para mascotas. La placa de cierre o bloqueo, si corresponde, se suministra por estética y eficacia energética y no está concebida como dispositivo de seguridad. Radio Systems® Corporation no se hará responsable del uso no previsto de la puerta para mascotas y el comprador de este producto acepta toda la responsabilidad por supervisar la abertura que crea.
- Herramientas eléctricas. Riesgo de lesiones graves; siga todas las instrucciones de seguridad de las herramientas eléctricas. Siempre asegúrese de usar sus gafas de seguridad.

⚠ ATENCIÓN

- Antes de la instalación, el usuario debe familiarizarse con todos los códigos de construcción que puedan afectar la instalación de la puerta para mascotas y determinar, junto con un instalador profesional, su conveniencia en una instalación dada. Esta puerta para mascotas no es una puerta para incendios. Es importante que el propietario y el instalador tengan en cuenta los riesgos que pueden existir de uno y otro lado de la puerta para mascotas, todos los riesgos que puedan crear cambios posteriores en su vivienda y cómo pueden estar relacionados con su existencia y uso, incluido el uso indebido de la puerta para mascotas.

AVISO

- Conserve estas instrucciones con sus documentos importantes; asegúrese de entregar estas instrucciones al nuevo propietario de la vivienda.

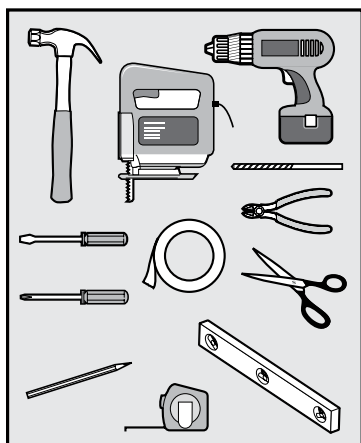
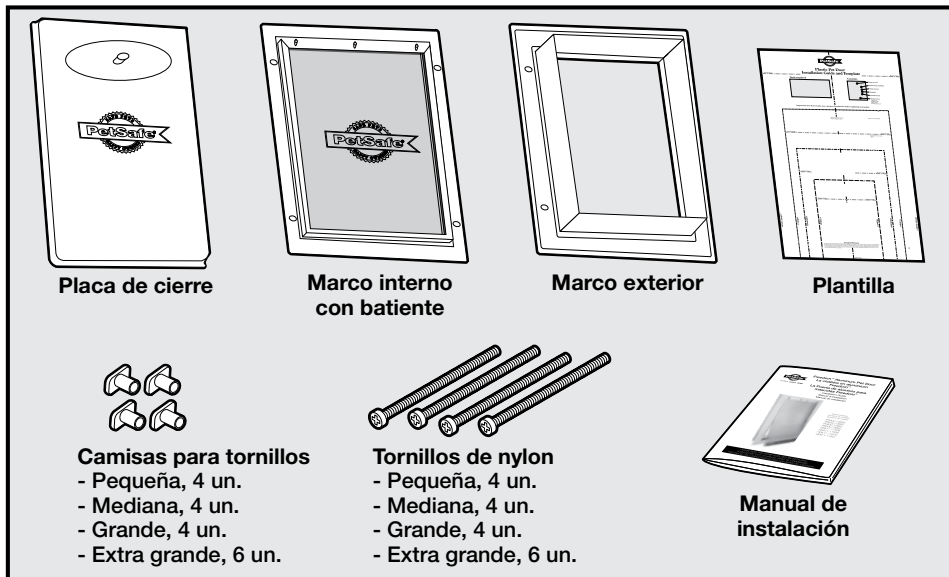
Le agradecemos por elegir la marca PetSafe®. Usted y su mascota se merecen disfrutar de una relación repleta de momentos memorables y comprensión mutua. Nuestros productos y herramientas de adiestramiento mejoran la relación entre las mascotas y sus propietarios. Si tiene alguna pregunta sobre nuestros productos o el adiestramiento de su mascota, visite nuestro sitio web en www.petsafe.net o bien, comuníquese por teléfono con nuestro Centro de atención al cliente al 1-800-732-2677.

Para aprovechar al máximo la protección de su garantía, registre su producto dentro de los 30 días posteriores a la compra en www.petsafe.net. Al registrar su producto y guardar el comprobante de compra, podrá disfrutar de la garantía completa del mismo y, si necesita llamar al Centro de atención al cliente, le podremos atender con mayor rapidez. Y, lo que es más importante, PetSafe® nunca entregará o venderá su información valiosa a nadie. La información completa de la garantía está disponible por Internet en www.petsafe.net.

Índice

Componentes.....	21
Definiciones.....	21
Instalación de la puerta para mascotas	
Determinación de la ubicación de la puerta para mascotas	22
Preparación de la puerta	22
Corte de la abertura de la puerta para mascotas.....	23
Perforación de orificios para el marco.....	23
Instalación de la puerta para mascotas.....	24
Adiestramiento de su mascota.....	25
Batientes de repuesto	25
Repuestos y accesorios	25
Términos de uso y limitación de responsabilidad	26
Centro internacional de atención al cliente	26
Garantía.....	26

Componentes



Herramientas necesarias

- Martillo
- Sierra caladora
- Taladro
- Brocas para taladro de 12.7 y 9.5 mm ($\frac{1}{2}$ y $\frac{3}{8}$ ")
- Pinzas cortacable
- Desarmadores planos y de cruz
- Cinta para cubrir o de pintor
- Tijeras
- Lápiz
- Cinta métrica
- Nivel
- Equipo de seguridad

Opcional

- Alicates
- Masilla

NOTA: La puerta de aluminio para mascotas PetSafe® Freedom™ se puede instalar en la mayoría de las puertas y paredes. Podrían necesitarse herramientas y materiales adicionales, como marcos de madera.

Definiciones

Tamaño externo del marco: Dimensiones totales de la puerta para mascotas

Tamaño de la abertura: Tamaño del corte de la abertura en la puerta de la vivienda para encajar correctamente e instalar la puerta para mascotas

Tamaño de los batientes de repuesto: Tamaño total del batiente fuera de la puerta para mascotas. Cuando se producen cambios extremos en condiciones climáticas, los batientes de vinilo pueden contraerse en los meses fríos y estirarse en los meses más cálidos.

Tamaño de la abertura del batiente: Tamaño real del batiente para la entrada y salida de la mascota por la puerta para mascotas

Marco interno: Marco de la puerta para mascotas del lado de la vivienda

Marco exterior: Marco de la puerta para mascotas del lado exterior de la vivienda

Placa de cierre: Cubierta que se cierra a presión en el marco de la puerta para mascotas para cerrar la abertura de la puerta para mascotas

Instalación de la puerta para mascotas

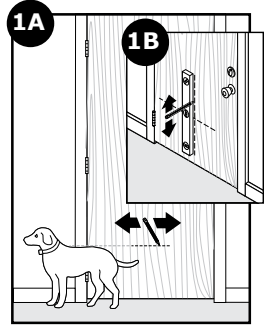
Paso 1

Determinación de la ubicación de la puerta para mascotas

1A. Mida y marque en la puerta la altura de la mascota en los omóplatos.

1B. Determine la ubicación de la puerta para mascotas. Utilice un nivel para trazar una línea vertical centrada en la línea de la altura de los omóplatos.

NOTA: Si la puerta u otra aplicación del propietario de la vivienda no está nivelada, deberá marcar la puerta para mascotas a nivel para que oscile correctamente.



Paso 2

Preparación de la puerta

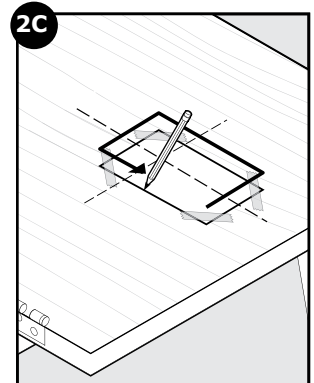
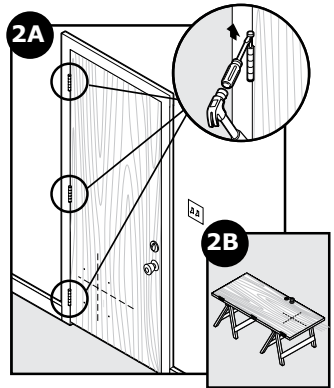
2A. Retire la puerta de las bisagras.

2B. Colóquela en una superficie elevada, como por ejemplo, sobre caballetes.

Consejo útil: Sujete la puerta con abrazaderas o pesos para inmovilizarla.

NOTA: Si usted es muy hábil, podrá instalar la puerta para mascotas con la puerta en posición vertical.

2C. Recorte según el tamaño correcto de la plantilla. Haga coincidir las líneas marcadas en la puerta con las líneas de los omóplatos y central en la plantilla. Inmovilice la plantilla con cinta y calque la plantilla con cuidado. Asegúrese de calcar la plantilla por debajo de la cinta y una los ángulos. A continuación, retire la plantilla y la cinta sobrante de la puerta.



AVISO

Cuando coloque la plantilla, debe dejar 7,6 cm (3"), como mínimo, entre la parte inferior y los lados de la puerta y el borde exterior de la plantilla para mantener la integridad estructural de la puerta.

Paso 3

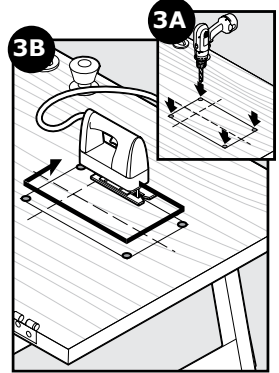
Corte de la abertura de la puerta para mascotas

3A. Realice perforaciones de 0.95 cm ($\frac{3}{8}$ ") en los ángulos interiores de la plantilla calcada. Estas perforaciones serán los orificios de guía para la hoja de la sierra.

Consejo útil: Use ambas manos para mantener el taladro firme y en posición recta a 90°.

3B. Empiece por uno de los orificios que acaba de taladrar y corte por las líneas calcadas de la plantilla. Después de cortar la abertura, quizá necesite rectificar el corte para que quede en escuadra. Esto es necesario para instalar correctamente el marco de la puerta para mascotas.

Consejo útil: Use una hoja de sierra apta para el material de la puerta (por ejemplo, una hoja para madera, si la puerta es de madera y una hoja para metal, si la puerta es metálica). Cuando corte, use ambas manos para mantener la sierra firme, estable y en posición recta a 90°. Así la hoja cortará de idéntica manera los lados interno y externo de la puerta.



AVISO

No debe haber nada en el otro lado de la puerta donde perforará los orificios o cortará la abertura.

Paso 4

Perforación de orificios para el marco

Instalar



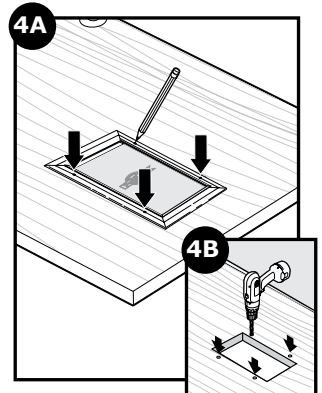
Verificar Antes de guardar la sierra caladora, coloque el marco interno (marco con el batiente) dentro del orificio recortado y verifíquelo. A continuación, coloque el marco exterior por el envés de la puerta para verificar su ajuste. Si los marcos no encajan en la abertura, quizá necesite rectificar la escuadra de la abertura antes de continuar con la instalación.

4A. Inmovilice el marco interno (marco con el batiente). Marque los orificios para tornillos.

4B. Retire el marco interno y perfora orificios de 6.3 mm ($\frac{1}{4}$ ").

Consejo útil: Use ambas manos para mantener el taladro firme y en posición recta a 90°.

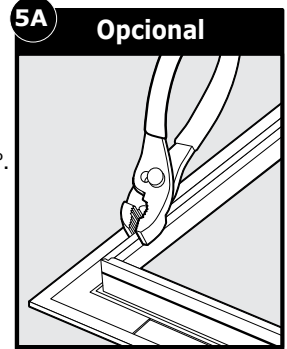
NOTA: Tenga presente que la puerta de aluminio para mascotas Freedom™ extra grande tiene 6 orificios para tornillos.



Instalación de la puerta para mascotas

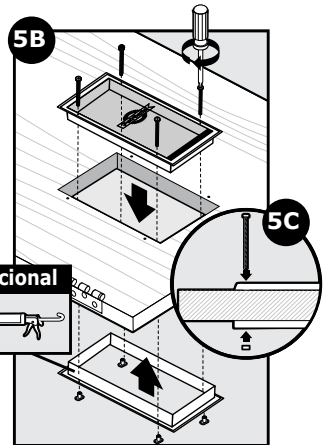
Consejo útil: Coloque cinta en el batiente para mantenerlo apartado durante la instalación.

- 5A. Opcional:** Según si el grosor de la puerta es de 2.5 cm (1") o menos, desprenda los marcos principales de los marcos interno y exterior. Utilice alicates para doblar lenta e ininterrumpidamente pequeñas secciones del marco en la línea acanalada. Pase una vez más por el marco en el mismo sentido, eliminando el sobrante de marco en un ángulo de 90°. A continuación, pase por el marco en el sentido opuesto para eliminar el resto del sobrante.



- 5B.** Coloque el marco interno (marco con el batiente) en la abertura. A continuación, coloque el marco exterior en la abertura por el envés de la puerta. Acople las piezas del marco sujetándolas con una mano.

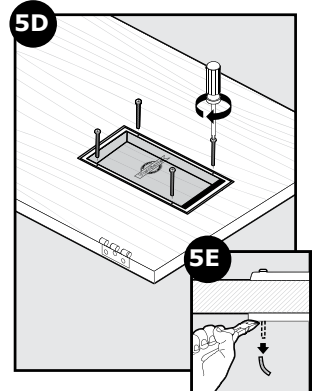
- 5C.** Introduzca los tornillos de nylon por los orificios en el marco y haga coincidir las camisas de los tornillos con los extremos de cada tornillo. Lleve el tornillo hacia arriba para colocarlo a ras con la camisa en el marco exterior. Mientras sigue sujetando los marcos, apriete los tornillos hasta que los marcos queden unidos.



Opcional: Coloque sellador alrededor del marco exterior (marco sin el batiente) y en el lugar donde se unen las cubiertas principales para brindar a la instalación resistencia a las condiciones climáticas.

- 5D.** Utilice un desarmador para apretar uniformemente los tornillos en el marco. Tal vez deba ajustar los tornillos para asegurarse de que la puerta para mascotas se ajusta correctamente.

- 5E.** Recorte el sobrante de la longitud de los tornillos con la pinza cortacable. Sujete la pinza a ras del marco para realizar un corte prolijo y a nivel.



Consejo útil: Todos los bordes irregulares de los tornillos de nylon por el corte con la pinza pueden rectificarse con una lima de metal.

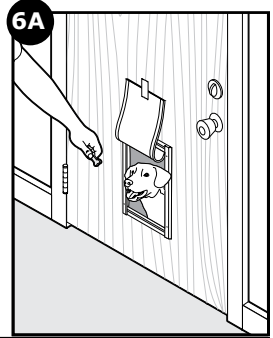
AVISO

Utilice un desarmador manual para apretar los tornillos. No los apriete excesivamente. Si lo hace, podría dañar la rosca de los tornillos o arquear el marco de la puerta para mascotas.

Adiestramiento de su mascota

6A. Vuelva a colocar la puerta y comience a adiestrar a la mascota. Coloque cinta para mantener el batiente abierto para que su mascota se familiarice con la abertura.

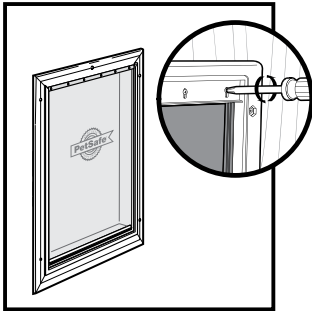
Consejo útil: Utilice premios para animar a la mascota a pasar por la puerta y a sentirse cómoda con ella.



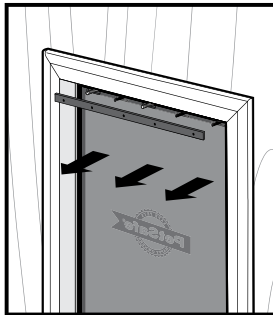
Batientes de repuesto

Reemplazo y ajuste

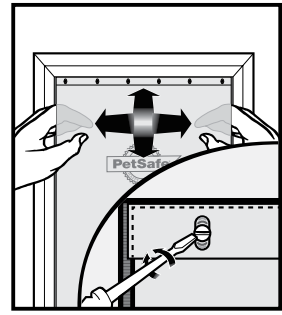
Cuando se producen cambios extremos en condiciones climáticas, los batientes de vinilo pueden contraerse en los meses fríos y estirarse en los meses más cálidos. Reemplácelos o ajústelos con facilidad para asegurarse su ajuste perfecto pese a los cambios de temporada.



Para volver a colocarlos: Quite los tornillos del marco interno de la puerta para mascotas.



Retire la varilla y el batiente.



Coloque un nuevo batiente de vinilo y ubíquelo en las posiciones horizontal y vertical correctas del marco de la puerta. Reemplace la varilla existente y apriete los tornillos.

Para ajustar: Afloje ligeramente los tornillos del marco interno de la puerta para mascotas.

Mueva ligeramente la varilla para separarla del batiente.

Ajuste el batiente en las posiciones horizontal y vertical del marco de la puerta. Lleve la varilla hacia el batiente y apriete los tornillos.

Repuestos y accesorios

Para comprar repuestos para la puerta de aluminio para mascotas PetSafe® Freedom™, comuníquese por teléfono con el Centro de atención al cliente al 1-800-732-2677 o bien, visítenos por Internet en www.petsafe.net.

La Puerta de aluminio para mascotas Freedom™	Número de pieza de repuesto
Batiente pequeño de repuesto	PAC11-11037
Batiente mediano de repuesto	PAC11-11038
Batiente grande de repuesto	PAC11-11039
Batiente extra grande de repuesto	PAC11-11040

Términos de uso y limitación de responsabilidad

1. Términos de uso

Este producto se le ofrece a condición de que acepte, sin modificaciones, los términos, las condiciones y los avisos aquí incluidos. El uso de este Producto significa la aceptación de la totalidad de tales términos, condiciones y avisos.

2. Uso correcto

Este Producto está diseñado para ser utilizado con el fin de adiestrar mascotas. El temperamento específico de su mascota podría no ser compatible con este Producto. Si no sabe si este Producto es adecuado para su mascota, consulte a su veterinario o a un adiestrador certificado. El uso apropiado incluye la lectura de todo el Manual de funcionamiento que se entrega con el Producto y todas las indicaciones de Atención.

3. Usos ilegales o prohibidos

Este Producto está diseñado para usarlo solo con mascotas. Este dispositivo de adiestramiento de mascotas no tiene como propósito herir, lesionar o provocar. El uso de este Producto en una forma que no sea la prevista podría resultar en incumplimiento de las leyes federales, estatales o locales.

4. Limitación de responsabilidad

En ningún caso, Radio Systems® Corporation será responsable por los daños directos, indirectos, punitivos, secundarios, especiales o derivados, o por los daños que podrían surgir o estar relacionados con el uso debido o indebido de este Producto. El Comprador asume todos los riesgos y responsabilidades por el uso de este Producto.

5. Modificación de las condiciones generales

Radio Systems Corporation se reserva el derecho a modificar los términos, las condiciones y los avisos según los cuales se ofrece este Producto.

Centro internacional de atención al cliente

Estados Unidos y Canadá - Tel.: 800-732-2677

Lunes a viernes, 8 a. m. a 8 p. m. / Sábado, 9 a. m. a 5 p. m.

Australia - Tel.: 1800 786 608

Lunes a viernes, 8:30 a. m. a 5 p. m.

Nueva Zelanda - Tel.: 0800 543 054

Lunes a viernes, 10:30 a. m. a 7 p. m.

Garantía

Garantía limitada intransferible por un año

El fabricante de este producto ofrece una garantía limitada. Los detalles completos de la garantía correspondiente a este producto, así como sus términos y condiciones, pueden encontrarse en www.petsafe.net.

Radio Systems® Corporation
10427 PetSafe Way
Knoxville, TN 37932

1-800-732-2677
www.petsafe.net

400-1185-11

©2010 Radio Systems® Corporation