



# LUXURY BATH SERIES

## INSTALLATION AND OPERATION INSTRUCTIONS

### Save these instructions for future use.

Complete and mail in the product registration card provided with your unit.  
Write and save the model and serial number of your unit below.

<i>Owner's Record</i>	
Date Purchased	_____
Purchased From	_____
Installed By	_____
Serial Number	_____
Model	_____

**Installer:** Leave this manual for homeowner.

**Homeowner:** Read this manual and keep for future reference.

*ALSO FIND MANUAL ON-LINE AT JACUZZI.COM*

# IMPORTANT SAFETY INSTRUCTIONS

## READ AND FOLLOW ALL INSTRUCTIONS

### SAVE THESE INSTRUCTIONS

#### INSTRUCTIONS PERTAINING TO A RISK OF FIRE, ELECTRIC SHOCK, OR INJURY TO PERSONS

**WARNING:** When using this unit, basic precautions should always be followed, including the following.

**WARNING:** Use this unit only for its intended use as described in this manual. Do not use attachments not recommended by the manufacturer.

**DANGER:** To reduce the risk of injury, do not permit children to use this unit unless they are closely supervised at all times.

**WARNING:** Never drop or insert any object into any opening.

**CAUTION:** Risk of Electric Shock: The Salon Bath may have two power sources in which case two disconnect switches are required to de-energize the unit before servicing.

### INSTALLATION

**NOTE:** This is a professional grade product. A knowledge of construction techniques, plumbing and electrical installation according to codes are required for proper installation and user satisfaction. We recommend that a licensed contractor perform the installation of all Jacuzzi® Whirlpool Bath products. Our warranty does not cover improper installation related problems.

**NOTE:** Install this unit in accordance with the Canadian Electrical Code, Part 1.

**CAUTION:** This equipment is intended for indoor use only. Install the equipment in accordance with these instructions. Use supply wires that are suitable for 75°C, including the temperature rating of the supply conductors to be used.

This unit should be electrically grounded and installed by a licensed contractor, electrician, and plumber.

Building materials and wiring should be routed away from the motor/pump or blower or other heat producing components of this unit.


A pressure wire connector is provided on the exterior of the motor/pump and heater to permit connection of an No. 8 AWG (8.4 mm) solid copper bonding conductor between this unit and all other electric equipment and exposed metal in the vicinity, as needed to comply with local requirements.

**WARNING:** This unit must be connected only to a supply circuit that is protected by a 15 A ground fault circuit interrupter (GFCI). Such a GFCI should be provided by the installer and should be tested on a routine basis. To test the GFCI, push the test button. The GFCI should interrupt power. Push the reset button. Power should be restored. If the GFCI fails to operate in this manner, the GFCI is defective. If the GFCI interrupts power to the bathtub without the test button being pushed, a ground current flowing, indicating a possibility of an electric shock. Do not use this hydromassage bathtub. Disconnect the hydromassage bathtub and have the problem corrected by a qualified service representative before using.

**WARNING:** (For permanently connected units) A green-colored terminal (or a wire connector) marked "G," "GR," "GROUND," or "GROUNDING" is provided within the terminal compartment. To reduce the risk of electric shock, connect the terminal or connector to the grounding terminal of your electric service or supply panel with a conductor equivalent in size to the circuit conductors supplying the equipment.

For built-in and drop-in units, install to permit access for servicing.

## OPERATION

 **CAUTION:** Test the ground fault circuit interrupter protecting this appliance periodically in accordance with manufacturer's instructions.

**WARNING:** Risk of hyperthermia and possible drowning: Water temperature in excess of 104°F (40°C) may be injurious to your health. Check and adjust water temperature before use.

**WARNING:** Prolonged immersion in hot water may induce hyperthermia. Hyperthermia occurs when the internal temperature of the body reaches a level several degrees above the normal body temperature of 98.6°F. The symptoms of hyperthermia include an increase in the internal temperature of the body, dizziness, lethargy, drowsiness and fainting. The effects of hyperthermia include:

- a. Failure to perceive heat.
- b. Failure to recognize the need to exit the spa or hot tub.
- c. Unawareness of impending hazard.
- d. Fetal damage in pregnant women.
- e. Physical inability to exit the spa or hot tub.
- f. Unconsciousness resulting in danger of drowning.

**WARNING:** Risk of fetal injury: Pregnant or possibly pregnant women should consult a physician before using a hydromassage bathtub equipped with a heater.

**WARNING:** The use of alcohol, drugs or medication can greatly increase the risk of fatal hyperthermia. People using medications or having an adverse medical history should consult a physician before using a hydromassage bathtub equipped with a heater.

**WARNING:** Risk of hyperthermia and possible drowning: Do not use a hydromassage bathtub equipped with a heater immediately following strenuous exercise.

**WARNING:** Do not operate this unit without the guard over the suction fitting.

**WARNING:** Keep body and hair a minimum of 6" (152 mm) away from suction fitting at all times when the hydromassage system is operating. Hair longer than shoulder length should be secured close to the head.

**WARNING:** Do not tamper with user-operated controls or such devices.

**WARNING:** Use this unit only for its intended use as described in this manual. Do not use attachments not recommended by the manufacturers.

**WARNING:** To avoid injury, exercise caution when entering or exiting the hydromassage bathtub.

**WARNING:** Risk of electrical shock: Do not permit electrical appliances such as a hair dryer, lamp, telephone, radio or television) within 60" (1.5 m) of this hydromassage bathtub.

- Do not operate hydromassage system unless the bath is filled with water to at least 1-2" (25-51 mm) above highest jet.
- Do not immerse the control panel by overfilling the bath.
- Do not use oil-based bath additives in your hydromassage bath.
- When cleaning your bath, do not use abrasive substances which will damage the bath's surface.
- To prevent discoloration of the acrylic finish, do not fill the bath with water in excess of 140°F (60°C).

PRODUCT SPECIFICATIONS ARE SUBJECT TO CHANGE WITHOUT NOTICE.

USE INSTALLATION INSTRUCTIONS SUPPLIED WITH PRODUCT.

The Company has obtained applicable code (standards) listings generally available on a national basis for products of this type. It is the responsibility of the installer/owner to determine specific local code compliance prior to installation of the product. The Company makes no representation or warranty regarding, and will not be responsible for any code compliance.

# CONTENTS

Important Safety Instructions . . . . .	2
Specifications . . . . .	5
Rectangular Baths . . . . .	5
Oval and Round Baths . . . . .	7
Corner Baths . . . . .	8
Rough-in . . . . .	9
Rectangular Baths . . . . .	9
Oval Baths . . . . .	12
Corner and Round Baths . . . . .	13
Installation . . . . .	14
Framing and Support . . . . .	14
Anchor Straps . . . . .	14
Service Access . . . . .	15
Clearance Recommendations . . . . .	16
Unit Installation . . . . .	16
Begin Installation . . . . .	17
Electrical Connections . . . . .	18
Plumbing and Water Supply . . . . .	19
Drain Information . . . . .	19
Plumbing . . . . .	19
Water Supply . . . . .	19
Shower Information . . . . .	19
Anti-Siphon Valve . . . . .	19
Clean-Up After Installation . . . . .	19
Operation . . . . .	20
Water Level . . . . .	20
Controlling Whirlpool Action . . . . .	20
Electronic Control Panel Operation . . . . .	21
General Functions . . . . .	21
Normal Operation . . . . .	22
RapidHeat . . . . .	23
Operation . . . . .	23
Vacuum/Pressure Switch . . . . .	23
High-Limit Switch . . . . .	23
Cleaning the Bath . . . . .	23
Repairs to the Surface . . . . .	23
Maintenance . . . . .	24
Bath Additives . . . . .	24
Spinning Jets Maintenance . . . . .	24
Purging the Whirlpool System . . . . .	24
Systems Clean™ Instruction . . . . .	24
Suction Cover/Strainer Maintenance . . . . .	25
Lighting (Chromatherapy Lighting) . . . . .	25
Lighting (Optional Illumatherapy™ Lighting) . . . . .	25
Troubleshooting Guide . . . . .	26
Authorized Service . . . . .	27
Limited Warranty . . . . .	

# SPECIFICATIONS

## RECTANGULAR BATHS

**IMPORTANT:** Read complete instructions before beginning installation.

Each whirlpool bath arrives ready for installation, completely equipped with motor/pump assembly, heater, plumbing, and fittings necessary for whirlpool operation. An optional drain/overflow kit is available for installation on the bath.

Remove the bath from the carton. Retain the shipping carton until satisfactory inspection of the product has been made.

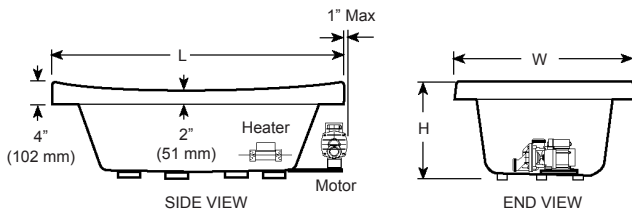
**CAUTION:** Do not lift the bath by the plumbing at any time; handle by the shell only.

Immediately upon receipt, inspect the shell before installing. Should inspection reveal any damage or defect in the finish,

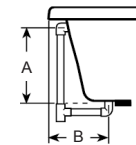
do not install the bath. Damage or defect to the finish claimed after the bath is installed is excluded from the warranty. Jacuzzi® Whirlpool Bath's responsibility for shipping damage ceases upon delivery of the products in good order to the carrier. Refer any claims for damage to the carrier. For definitions of warranty coverage and limitations, refer to the published warranty information packed with the product.

All bath units are factory tested for proper operation and watertight connections prior to shipping.

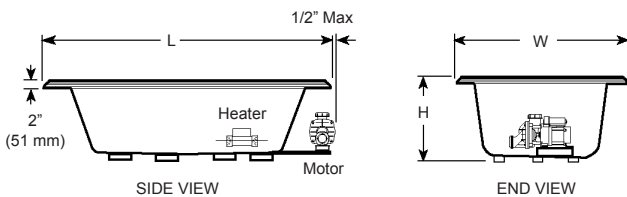
**NOTE:** Prior to installation, the bath must be filled with water and operated to check for leaks that may have resulted from shipping damage or mishandling. Jacuzzi® Whirlpool Bath is not responsible for any defect that could have been discovered, repaired, or avoided by following this inspection and testing procedure.



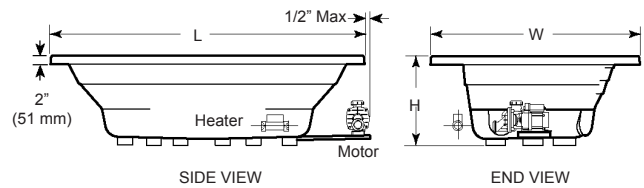
**Allusion**



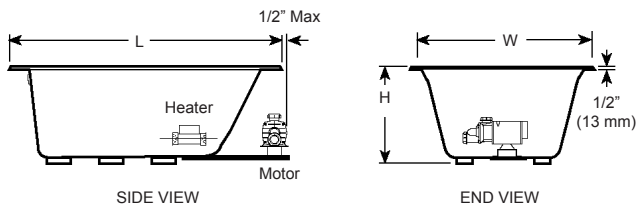
**Drain/Overflow**



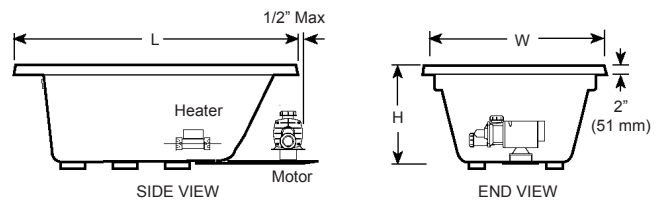
**Bellavista**



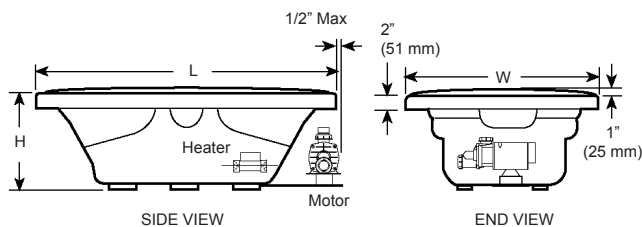
**Ciprea™, RH**



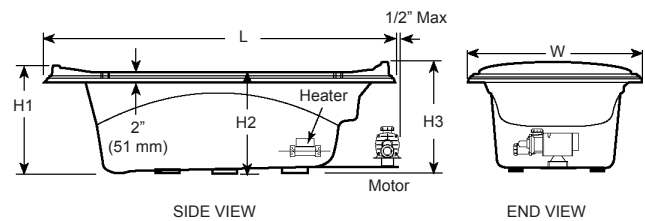
**Elara**



**Reál, RH**



**Sabella**



**Torretta 36**

# RECTANGULAR

Operating gallons are in U.S. gallons; overall dimensions for all units are nominal with a tolerance of +0 and 1/4 inch (6.4mm). Units shown are right-hand (RH) units only.

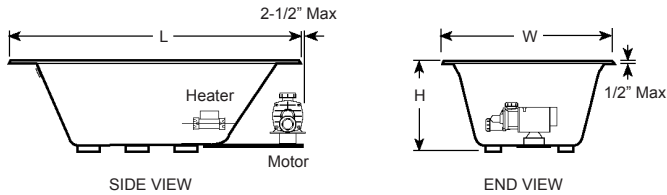
MODEL	DIMENSIONS	DRAIN/OVERFLOW	CUTOUT	TOTAL WEIGHT/ FLOOR LOADING	OPERATING GALLONS	PRODUCT WEIGHT	SKIRT AND MOUNTING	HEATER
Allusion™ 6636 RH	66" (1676 mm) L 36" (914 mm) W 26" (660 mm) H	17-3/8" (441 mm) A 11-15/16" (210 mm) B	Template provided, PN: BY20000	843 lb (383 kg)/ 51 lb/ft <sup>2</sup> (248 kg/m <sup>2</sup> )	55 gal (208 Lt) min, 75 gal (284 Lt) max	135 lb (61 kg)	Not available	Factory installed intake (S749000 Heater)
Allusion™ 7236 RH	72" (1829 mm) L 36" (914 mm) W 26" (660 mm) H	17-3/8" (441 mm) A 11-15/16" (210 mm) B	Template provided, PN: BY20000	978 lb (489 kg)/ 54 lb/ft <sup>2</sup> (263 kg/m <sup>2</sup> )	65 gal (246 Lt) min, 85 gal (322 Lt) max	145 lb (66 kg)	Not available	Factory installed intake (S749000 Heater)
Allusion™ 7242 RH	72" (1829 mm) L 42" (1067 mm) W 26" (660 mm) H	17-3/8" (441 mm) A 11-15/16" (210 mm) B	Template provided, PN: BY20000	1127 lb (470 kg)/ 54 lb/ft <sup>2</sup> (263 kg/m <sup>2</sup> )	75 gal (284 Lt) min, 99 gal (375 Lt) max	169 lb (77 kg)	Not available	Factory installed intake (S749000 Heater)
Bellavista™ 5 RH	60" (1524 mm) L 42" (1067 mm) W 26" (660 mm) H	20" (508 mm) A 11-3/4" (298 mm) B	Template provided, PN: P187000	1026 lb (466 kg)/ 59 lb/ft <sup>2</sup> (288 kg/m <sup>2</sup> )	80 gal (303 Lt)	110 lb (50 kg)	Not available	Factory installed intake (S749000 Heater)
Bellavista™ 5.5 RH	66" (1676 mm) L 42" (1067 mm) W 26" (660 mm) H	20" (508 mm) A 11-3/4" (298 mm) B	Template provided, PN: P187000	1078 lb (490 kg)/ 56 lb/ft <sup>2</sup> (273 kg/m <sup>2</sup> )	85 gal (322 Lt)	120 lb (56 kg)	Not available	Factory installed intake (S749000 Heater)
Bellavista™ 6 RH	72" (1829 mm) L 42" (1067 mm) W 26" (660 mm) H	20" (508 mm) A 11-3/4" (298 mm) B	Template provided, PN: P187000	1130 lb (514 kg)/ 54 lb/ft <sup>2</sup> (263 kg/m <sup>2</sup> )	90 gal (341 Lt)	130 lb (59 kg)	Not available	Factory installed intake (S749000 Heater)
Ciprea™ RH	72" (1829 mm) L* 48" (1219 mm) W 20-1/2" (521 mm) H	16-1/4" (413 mm) A 13-1/2" (343 mm) B	NA	895 lb (407 kg)/ 37 lb/ft <sup>2</sup> (180 kg/m <sup>2</sup> )	57 gal (216 Lt)	170 lb (77 kg)	Included	Factory installed intake (S749000 Heater)
Elara™ 6042 LH and RH	60" (1524 mm) L 42" (1067 mm) W 23-1/2" (597 mm) H	18.5" (470 mm) A 10.6" (269 mm) B	58x40" (1473x1016mm), Undermount template provided, PN: DQ50000	1126 lb (512 kg)/ 65.4 lb/ft <sup>2</sup> (319 kg/m <sup>2</sup> )	83 gal (314 Lt) min, 92 gal (348 Lt) max	200 lb (91 kg)	Not available	Factory installed intake (S749000 Heater)
Elara™ 6636 LH and RH	66" (1676 mm) L 36" (914 mm) W 23-1/2" (597 mm) H	18.5" (470 mm) A 10.6" (269 mm) B	64x34" (1626x864mm), Undermount template provided, PN: DQ51000	1039 lb (472 kg)/ 63 lb/ft <sup>2</sup> (307 kg/m <sup>2</sup> )	75 gal (284 Lt) min, 83 gal (314 Lt) max	200 lb (91 kg)	Not available	Factory installed intake (S749000 Heater)
Elara™ 7242 LH and RH	72" (1829 mm) L 42" (1067 mm) W 23-1/2" (597 mm) H	18.5" (470 mm) A 10.6" (269 mm) B	70x40" (1778x1016mm), Undermount template provided, PN: BZ5000	1345 lb (611 kg)/ 64 lb/ft <sup>2</sup> (312 kg/m <sup>2</sup> )	95 gal (360 Lt) min, 105 gal (398 Lt) max	215 lb (98 kg)	Not available	Factory installed intake (S749000 Heater)
Reál™ RH	72" (1829 mm) L* 42" (1067 mm) W 23" (584 mm) H	20" (508 mm) A 14" (356 mm) B	70x40" (1778x1016mm)	1130 lb (514 kg)/ 54 lb/ft <sup>2</sup> (263 kg/m <sup>2</sup> )	90 gal (341 Lt)	130 lb (59 kg)	Not available	Factory installed intake (S749000 Heater)
Sabella™ RH	72" (1829 mm) L 47" (1194 mm) W 23-3/4" (584 mm) H	20" (508 mm) A 14" (356 mm) B	Template provided, PN: P187000	1199 lb (545 kg)/ 51 lb/ft <sup>2</sup> (249 kg/m <sup>2</sup> )	98 gal (371 Lt)	133 lb (60 kg)	Not available	Factory installed intake (S749000 Heater)
Torretta™ 36	72" (1829 mm) L 35-1/8" (892 mm) W 22-7/8" (581 mm) H1 21" (533 mm) H2 23-1/2" (597 mm) H3	18-3/16" (459 mm) A 15" (381 mm) B	Template provided, PN: P652000	948 lb (431 kg)/ 54 lb/ft <sup>2</sup> (263 kg/m <sup>2</sup> )	70 gal (265 Lt)	115 lb (52 kg)	Not available	Factory installed intake (S749000 Heater)

\*Add 1/4 inch to this dimension to rough-in for a three-wall niche

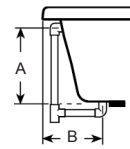
**FOR ALL UNITS:** Electrical service requirements: All require a dedicated GFCI-protected separate circuit  
 RapidHeat™: 120 VAC, 15 A, 60 Hz dedicated GFCI-protected separate circuit  
 Motor/Pump and: 120 VAC, 20 A, 60 Hz dedicated GFCI-protected separate circuit

## OVAL AND ROUND BATHS

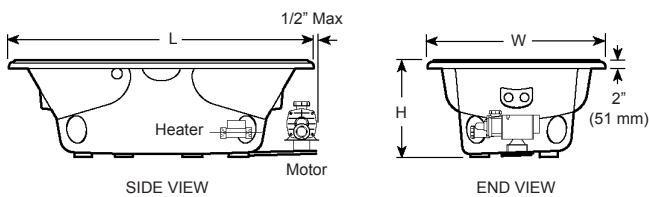
Operating gallons are in U.S. gallons; overall dimensions for all units are nominal with a tolerance of +0 and 1/4 inch (6.4mm). Units shown are right-hand (RH) units only.



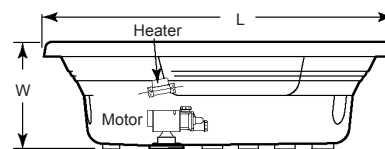
**Duetta™**



**Drain/Overflow**



**Venicia™**



**Cortina™**

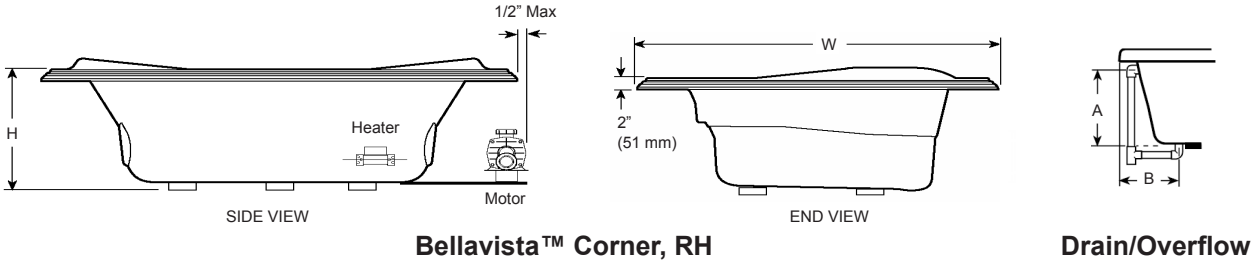
MODEL	DIMENSIONS	DRAIN/OVERFLOW	CUTOUT	TOTAL WEIGHT/ FLOOR LOADING	OPERATING GALLONS	PRODUCT WEIGHT	SKIRT AND MOUNTING	HEATER
Cortina™ RH	72" (1829 mm) L 72" (1829 mm) W 22-1/4" (565 mm) H	16-3/4" (426 mm) A 19-1/4" (489 mm) B	70" Diameter hole (1778 mm)	1293 lb (588 kg)/ 36 lb/ft² (176 kg/m²)	100 gal (379 Lt)	210 lb (95 kg)	Not available	Factory installed discharge (U394000 Heater)
Duetta™ 6042 RH	60" (1524 mm) L 42" (1067 mm) W 26" (660 mm) H	18.4" (467 mm) A 11" (279 mm) B	Template provided, PN: DA09000	999 lb (454 kg)/ 57.1 lb/ft² (278 kg/m²)	77 gal (291 Lt) min, 83 gal (314 Lt) max	110 lb (50 kg)	Not available	Factory installed intake (S749000 Heater)
Duetta™ 6636 RH	66" (1676 mm) L 36" (914 mm) W 26" (660 mm) H	18.4" (467 mm) A 11" (279 mm) B	Template provided, PN: DA08000	1019 lb (463 kg)/ 61.8 lb/ft² (301 kg/m²)	75 gal (284 Lt) min, 80 gal (303 Lt) max	180 lb (82 kg)	Not available	Factory installed intake (S749000 Heater)
Duetta™ 6642 RH	66" (1676 mm) L 42" (1067 mm) W 26" (660 mm) H	18.4" (467 mm) A 11" (279 mm) B	Template provided, PN: DA07000	1106 lb (503 kg)/ 57.5 lb/ft² (280 kg/m²)	90 gal (341 Lt) min, 95 gal (360 Lt) max	117 lb (53 kg)	Not available	Factory installed intake (S749000 Heater)
Duetta™ 7242 RH	72" (1829 mm) L 42" (1067 mm) W 26" (660 mm) H	18.4" (467 mm) A 11" (279 mm) B	Template provided, PN: DA06000	1277 lb (581 kg)/ 60.8 lb/ft² (296 kg/m²)	98 gal (371 Lt) min, 106 gal (401 Lt) max	130 lb (59 kg)	Not available	Factory installed intake (S749000 Heater)
Venicia™ RH	72" (1829 mm) L 42" (1067 mm) W 23" (584 mm) H	20" (508 mm) A 14" (356 mm) B	Template provided, PN: P187000	1130 lb (514 kg)/ 54 lb/ft² (263 kg/m²)	90 gal (341 Lt)	130 lb (59 kg)	Not available	Factory installed intake (S749000 Heater)

\*Add 1/4 inch to this dimension to rough-in for a three-wall niche

FOR ALL UNITS: Electrical service requirements: All require a dedicated GFCI-protected separate circuit  
 RapidHeat™: 120 VAC, 15 A, 60 Hz dedicated GFCI-protected separate circuit  
 Motor/Pump and: 120 VAC, 20 A, 60 Hz dedicated GFCI-protected separate circuit

# CORNER BATHS

Operating gallons are in U.S. gallons; overall dimensions for all units are nominal with a tolerance of +0 and 1/4 inch (6.4mm). Units shown are right-hand (RH) units only.



MODEL	DIMENSIONS	DRAIN/OVERFLOW	CUTOUT	TOTAL WEIGHT/ FLOOR LOADING	OPERATING GALLONS	PRODUCT WEIGHT	SKIRT AND MOUNTING	HEATER
Bellavista™ Corner, RH	60" (1524 mm) L 60" (1524 mm) W 21-3/4" (553 mm) H	18-7/8" (479 mm) A 14" (356 mm) B	Template provided, PN: P654000	1046 lb (475 kg)/ 42 lb/ft² (205 kg/m²)	80 gal (303 Lt)	130 lb (59 kg)	Not available	Factory installed intake (S749000 Heater)

\*Add 1/4 inch to this dimension to rough-in for a three-wall niche

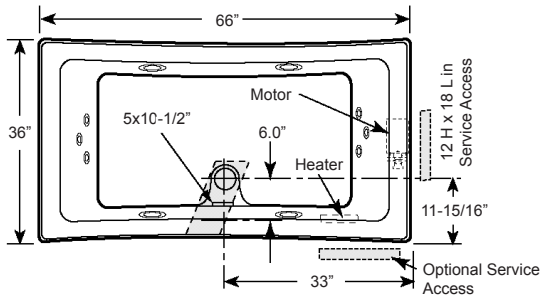
FOR ALL UNITS: Electrical service requirements: All require a dedicated GFCI-protected separate circuit  
 RapidHeat™: 120 VAC, 15 A, 60 Hz dedicated GFCI-protected separate circuit  
 Motor/Pump and: 120 VAC, 20 A, 60 Hz dedicated GFCI-protected separate circuit



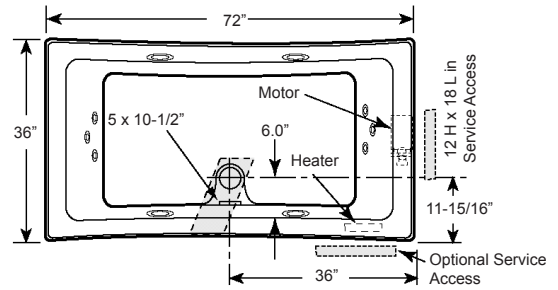
# ROUGH-IN

## RECTANGULAR BATHS

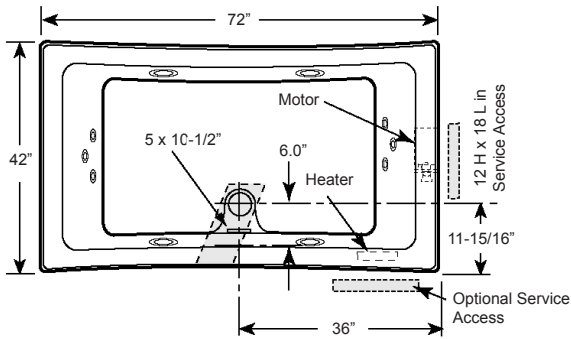
Some tubs are supplied with cutout template or undermount template. Refer to cutout in the Specifications section for template part numbers.



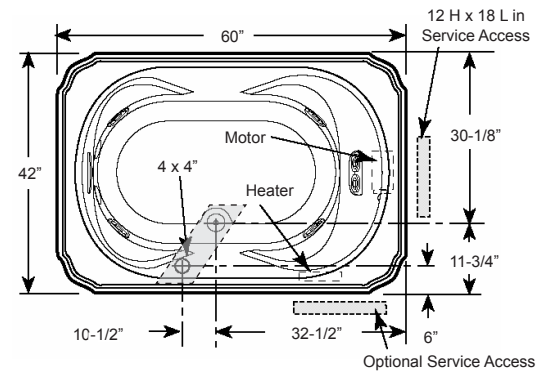
**Allusion™ 6636, RH**



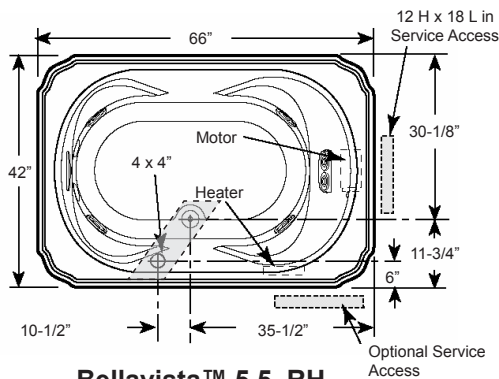
**Allusion™ 7236, RH**



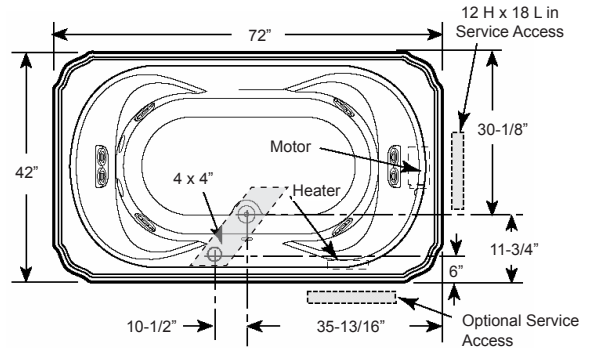
**Allusion™ 7242, RH**



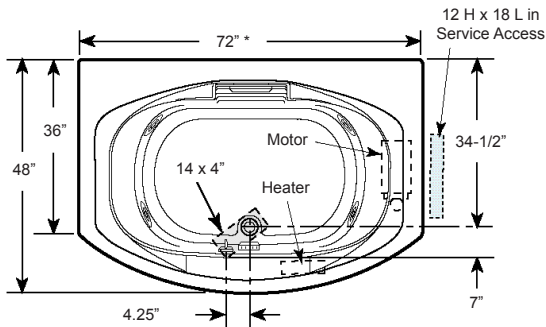
**Bellavista™ 5, RH**



**Bellavista™ 5.5, RH**



**Bellavista™ 6, RH**



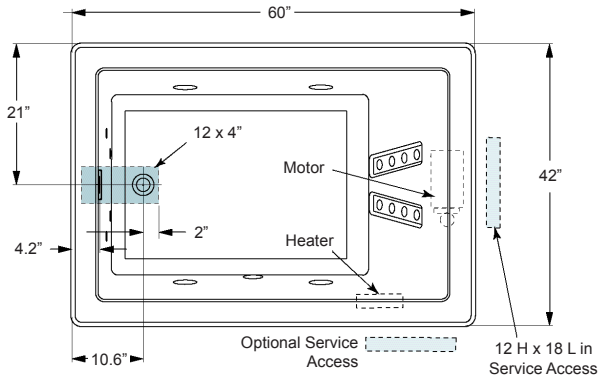
**Ciprea®, RH**

\*Add 1/4 inch to this dimension to rough-in for a three-wall niche

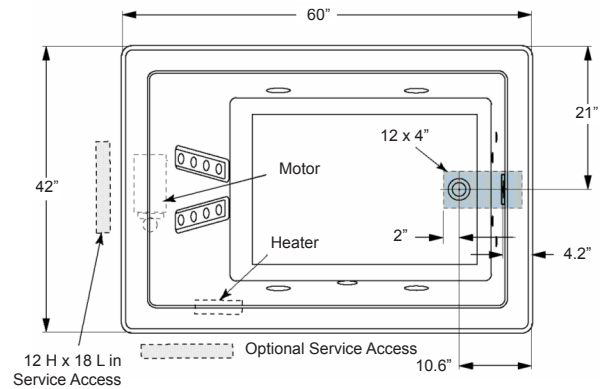
- NOTES:**
1. Measurements inside each unit represent cutout in floor to allow for drain/overflow.
  2. All measurements are in inches. To convert to millimeters, multiply inches by 25.4.
  3. Service Access dimensions are given in minimum size.
  4. The overall dimensions are nominal with a tolerance of +0 and -1/4 inch (6.4 mm).

## RECTANGULAR BATHS

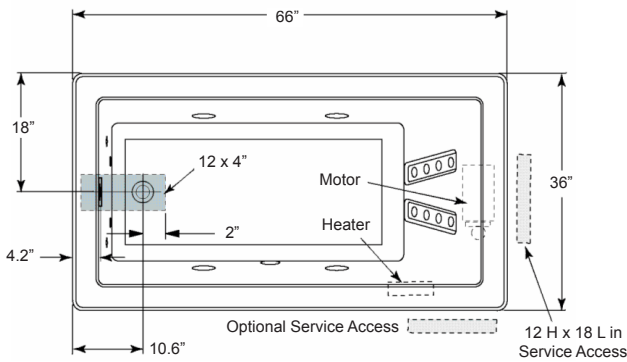
Some tubs are supplied with cutout template or undermount template. Refer to cutout in the Specifications section for template part numbers.



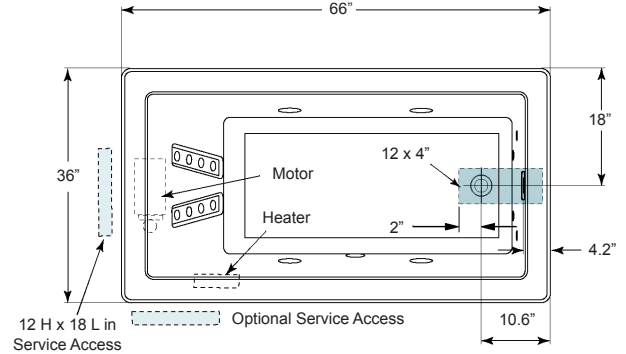
**Elara™ 6042, LH**



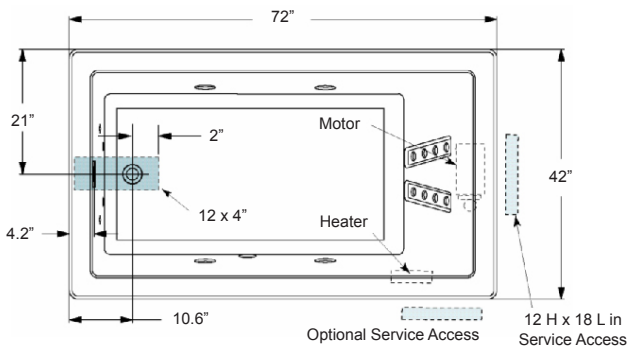
**Elara™ 6042, RH**



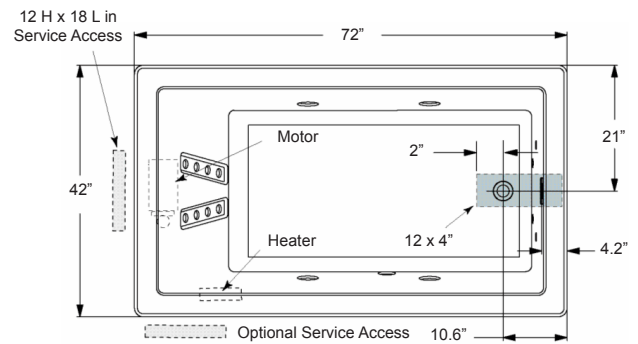
**Elara™ 6636, RH**



**Elara™ 6636, LH**



**Elara™ 7242, RH**

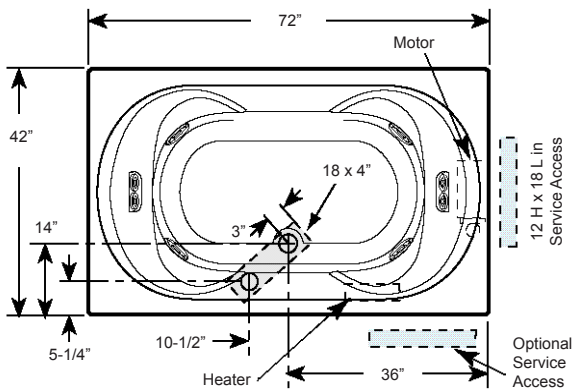


**Elara™ 7242, LH**

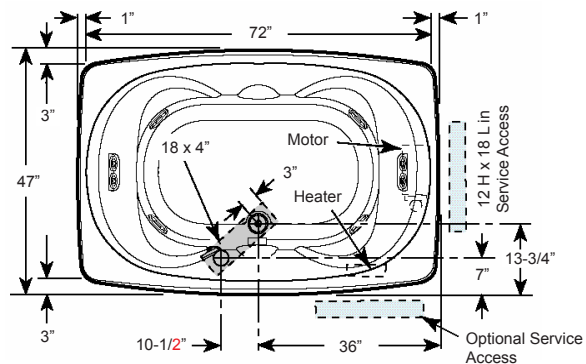
\*Add 1/4 inch to this dimension to rough-in for a three-wall niche

- NOTES:**
1. Measurements inside each unit represent cutout in floor to allow for drain/overflow.
  2. All measurements are in inches. To convert to millimeters, multiply inches by 25.4.
  3. Service Access dimensions are given in minimum size.
  4. The overall dimensions are nominal with a tolerance of +0 and -1/4 inch (6.4 mm).

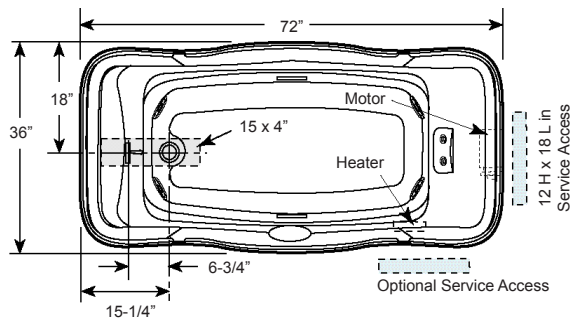
Some tubs are supplied with cutout template or undermount template. Refer to cutout in the Specifications section for template part numbers.



Reál™, RH



Sabella™, RH



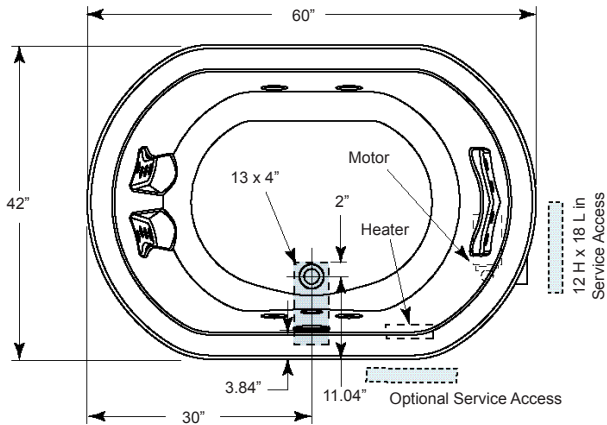
Torretta™ 36, LH

\*Add 1/4 inch to this dimension to rough-in for a three-wall niche

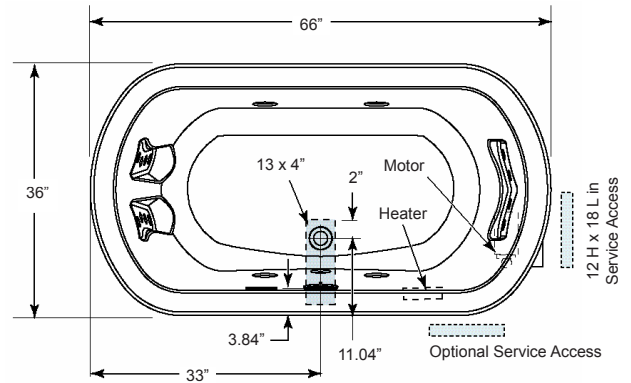
- NOTES:**
1. Measurements inside each unit represent cutout in floor to allow for drain/overflow.
  2. All measurements are in inches. To convert to millimeters, multiply inches by 25.4.
  3. Service Access dimensions are given in minimum size.
  4. The overall dimensions are nominal with a tolerance of +0 and -1/4 inch (6.4 mm).

# OVAL BATHS

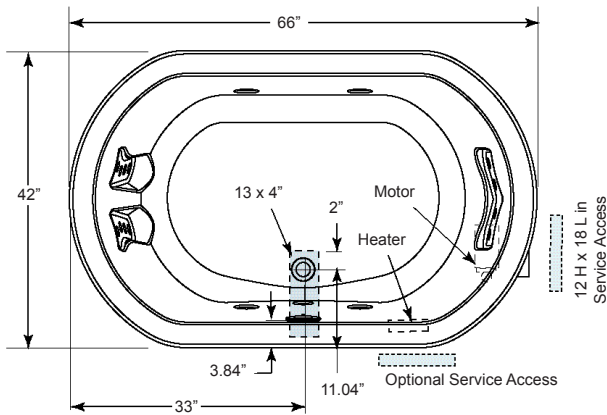
Some tubs are supplied with cutout template or undermount template. Refer to cutout in the Specifications section for template part numbers.



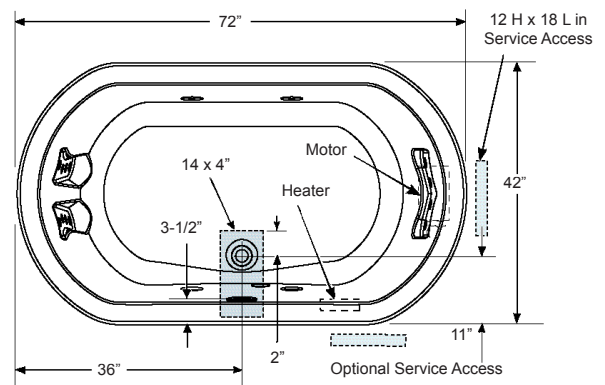
**Duetta 6042**



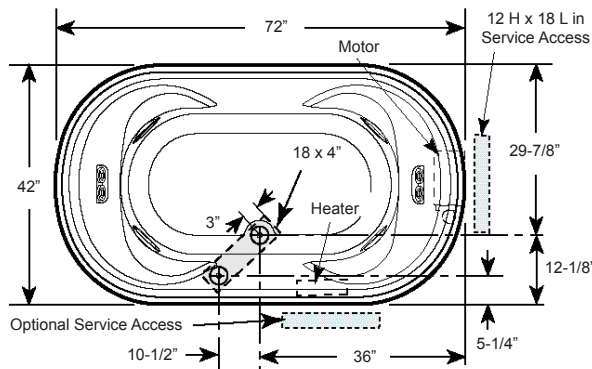
**Duetta 6636**



**Duetta 6642**



**Duetta 7242**



**Venicia™, RH**

\*Add 1/4 inch to this dimension to rough-in for a three-wall niche

- NOTES:**
1. Measurements inside each unit represent cutout in floor to allow for drain/overflow.
  2. All measurements are in inches. To convert to millimeters, multiply inches by 25.4.
  3. Service Access dimensions are given in minimum size.
  4. The overall dimensions are nominal with a tolerance of +0 and -1/4 inch (6.4 mm).



# INSTALLATION

## FRAMING AND SUPPORT

The drain/overflow of the bath extends below the bottom of the bath. Note that this requires a cutout in the floor.

The floor structure beneath the bath must be able to support a total weight of bath, water, and bather. Refer to the table under total weight for your model. The unit must be supported from the bottom of the bath and not from the bath rim or tile flange. If the subfloor is level and a continuous surface, no other preparation is necessary. You can proceed to install the bath. If the subfloor is not level, you **MUST** level the entire surface prior to installing the bath. The use of materials that provide a level installation are allowed provided the method used will insure a level bath that is supported from the bottom. Materials that may be used are a floor leveling compound, mortar, plaster or minimal expansion structural foam having a density of a minimum of 5 lbs./cubic feet; however the bath must remain level in order for it to drain properly and all foam

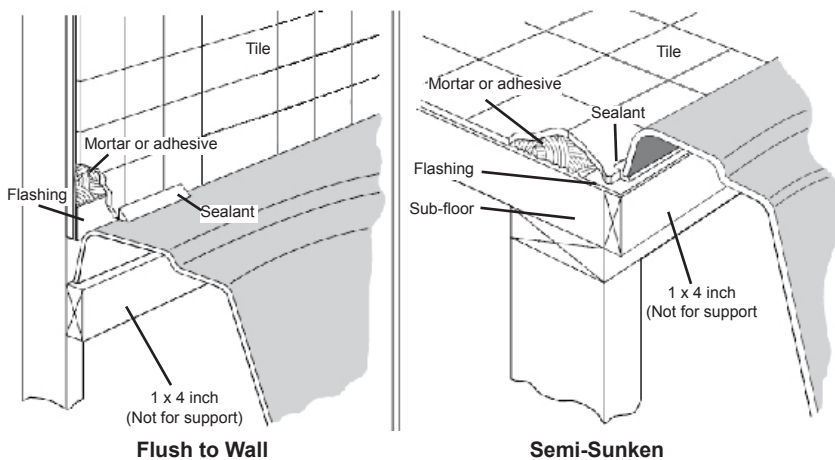
feet must make full contact with the leveling material. Both sides of a joint or splice of subfloor should be level to each other. When attaching baths with flanges to stud wall, use shims to fill any gaps between the bath flange and studs.

The rim of the bath is not designed to support weight. If finish material is to overlap or contact the bath, the added weight must be fully self-supporting.

The protective film liner inside the bath is used to prevent damage to the finish during installation. Before installation, remove liner to inspect for any defects, reapply and do not remove until final cleanup.

**IMPORTANT:** If a skirt is to be used, it must be installed at the time of unit installation, refer to skirt installation instructions. Install optional trim parts when all installation has been completed.

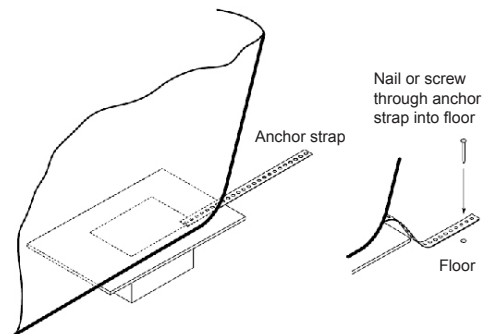
## TYPICAL INSTALLATIONS



## ANCHOR STRAPS

Drop-in tubs are equipped with metal anchor straps. These can be anchored to the floor to reduce movement during tile cure time. If mortar or similar anchoring material is used, these straps are not needed.

## ANCHOR STRAP

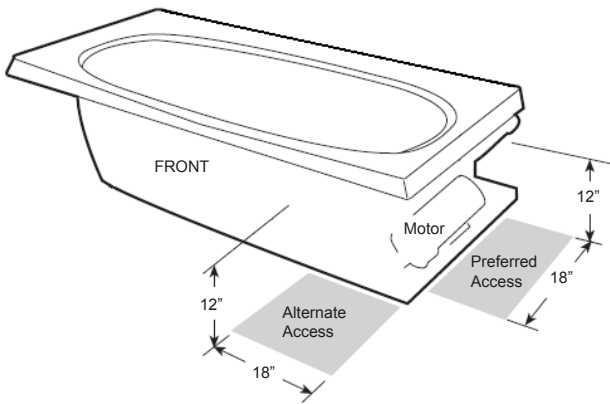


**SERVICE ACCESS** (Corner and Regular Baths)

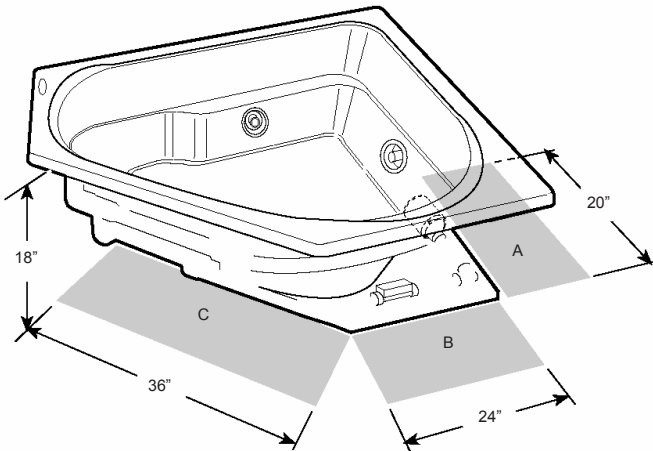
For partially or fully sunken installations, allow for access to service connections. It is the installer's responsibility to provide sufficient service access. The recommended minimum dimensions allowable for service to the bath are shown in the "Service Access" illustration.

Provide adequate area around the unit for air circulation for cooling the motor and to supply sufficient air to the jets. Do not insulate this area or around motor.

**SERVICE ACCESS (Regular Baths)**

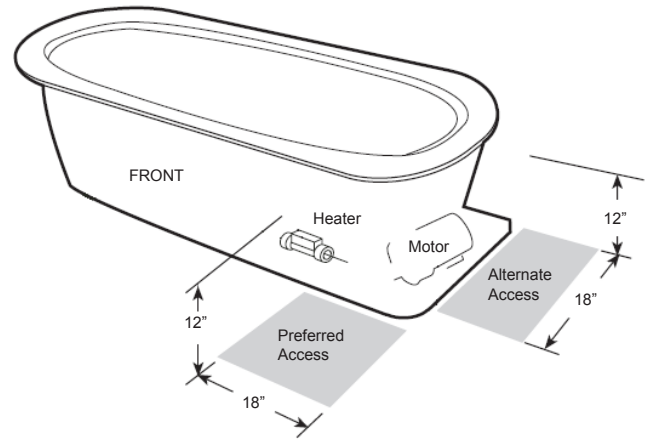


**SERVICE ACCESS (Corner Baths)**



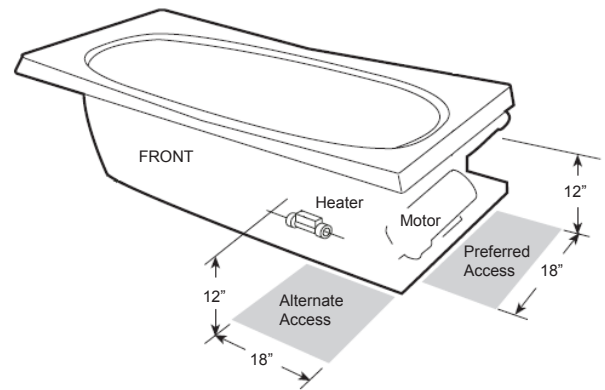
The Duetta Whirlpool baths should access as shown below.

**DUETTA SERVICE ACCESS (Without Skirt)**



The Allusion Whirlpool baths should access as shown below.

**ALLUSION SERVICE ACCESS**



In some cases, access may not have been provided because of the design of the bath environment and having full understanding that in this case, it may be necessary to remove the unit for service.

If this is the case, diagnosing a problem may not be possible without complete access to the plumbing system. This would necessitate the removal of the unit. Although this practice is not commonly implemented, it is an acceptable method.

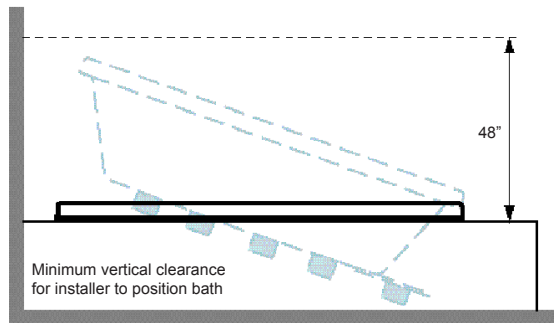
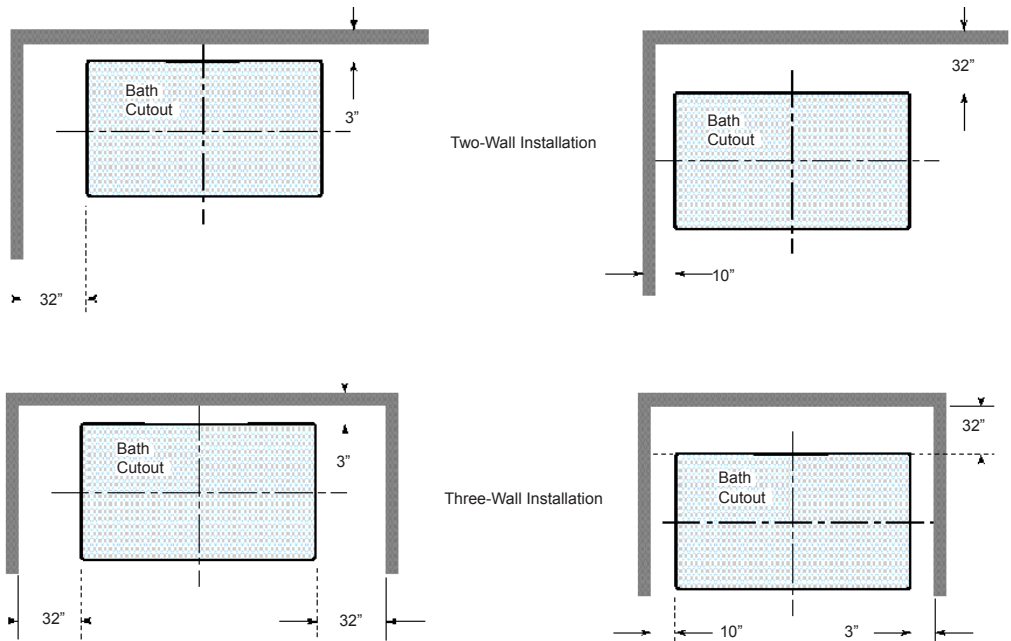
**NOTE:** In some cases, access for Preferred Access may have been provided. If service is required in the Alternate Access, the unit will be pulled for service and reinstalled.

If service access has not been provided, it is the homeowner's responsibility to remove the bath and provide the required access, should a repair become necessary.

**CLEARANCE RECOMMENDATIONS**

**CLEARANCE RECOMMENDATIONS**

The installation clearance recommendations below are to ensure that installers have enough space to maneuver and insert tub. The Jacuzzi® Luxury line whirlpool tubs have electrical, plumbing and lighting systems installed. Do not lift the bath by the plumbing or wiring at any time; handle by the shell only.



**UNIT INSTALLATION**

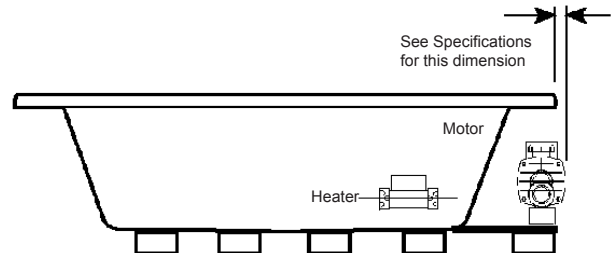
Note that the motor/pump protrudes beyond the bath rim a maximum distance of 1" (25.4 mm). Care should be used when lowering the tub into cutout to prevent injury to installer(s), finished surfaces, or tub and components.

Clearance around bath must be provided for installers, see Clearance Recommendations. Damage to shell, plumbing, wiring, lighting, and other components because of failure to observe minimum clearances are not the responsibility of Jacuzzi® Whirlpool Bath.

All deck finish work must be completed before installation. Use the Cutout Template provided. Flooring surface inside the cutout to deck height must not exceed height specification for tub.

Cover all finished surfaces to protect from damage during tub installation.

Turn OFF power supply to dedicated GFCI protected circuits.





## Begin Installation

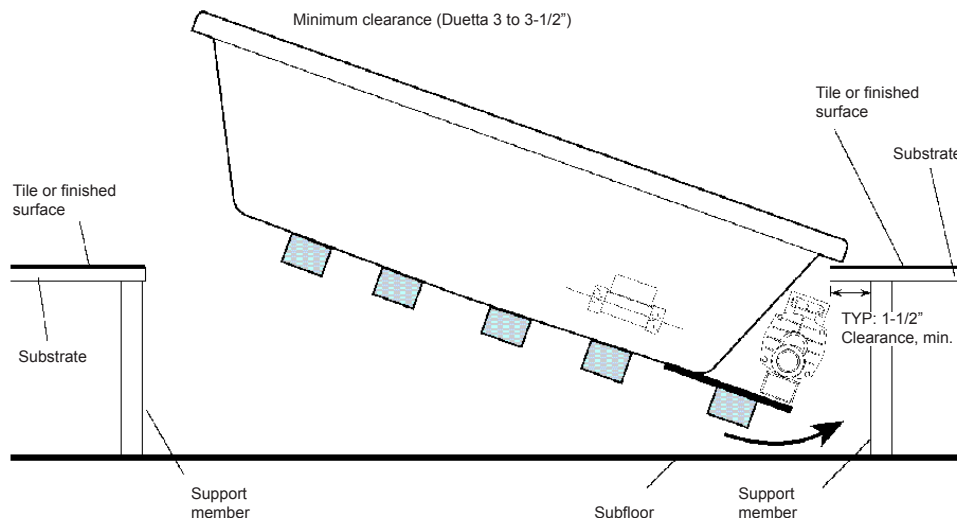
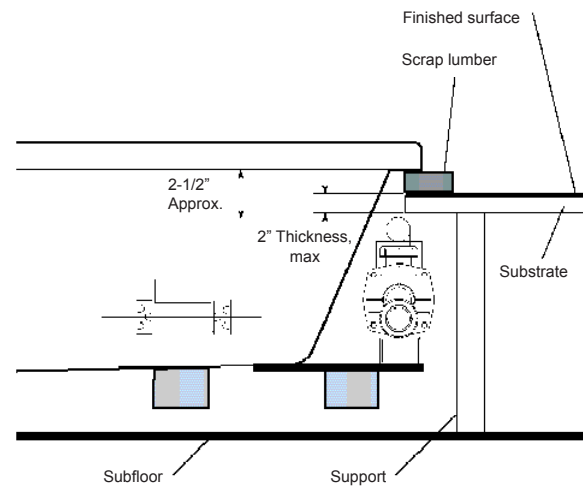
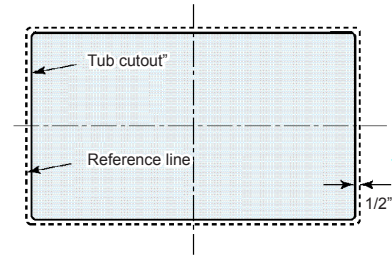
1. Optionally, use a washable marker to scribe a reference line 1" (25.4 mm) outside the cutout edge on the deck surface. This may assist in final alignment of the tub.

**CAUTION:** Install any trim kits, faucets, or other tub components before installing.

2. To install unit insert the motor/pump end first when lowering the tub into the cutout opening as shown in the bottom illustration. Do not use plumbing fixtures or plumbing lines to lower unit. The clearance under the substrate is required for air flow circulation requirements.
3. Place a piece of scrap lumber under each corner as a temporary support for the tub rim. Inspect all fittings, plumbing, and control lines after inserting to insure components are not damaged, disconnected, or contacting the finish surface substrate or support members.
4. Connect flex water supply lines to faucet.
5. Plug power cords into GFCI outlet.
6. Remove fingers, hands, and all other items from under the rim edge before lowering the tub. Slightly lift one tub end and remove the scrap lumber. Gently lower the tub rim until it contacts the deck surface. Slightly lift the remaining tub end and remove the scrap lumber. Gently lower the tub rim until it contacts the deck surface.

If you created the optional reference lines, align the tub over the cutout.

7. Connect drain line.
8. Turn ON the power supply to the dedicated GFCI protected circuits.
9. Check for leaks and check system operation.



## ELECTRICAL CONNECTIONS

Separate circuits, each must be protected by a Ground Fault Circuit Interrupter (GFCI), are required for the pump/motor and the RapidHeat™ Heater. Refer to the electrical specification for each model, see Specifications. Install duplex outlets to the studwall underneath the bathtub, at least 4" (102 mm) above the floor or in accordance with local building or electrical codes. Duplex outlets are not provided. Because these units are manufactured with an electronic control panel, no remote switch or timer is necessary.

Tubs with electronic control panels combine the electrical requirements of the pump/motor and electronic controls into a control box. For these units the power supply cord from the pump/motor runs to the control box. The power supply cord from the pump/motor runs to the control box. The power supply cord from the pump/motor should be connected to the 20 AMP GFCI circuit.

Before installing electrical connections, inspect the pump/motor and heater nameplates and confirm you have 120 VAC, 20 AMP and 15 AMP service requirements. The GFCI circuits must match these requirements. Care must be taken to connect the 20 AMP pump/motor or control box power cord ONLY to the 20 AMP GFCI circuit, and to connect the 15 AMP heater power cord ONLY to the 15 AMP GFCI circuit. Do NOT switch power cords and GFCI circuits.

With a No. 8 solid copper wire, bond the heater to the house electrical panel or approved local bond. A bonding lug is provided on the heater. With another No. 8 solid copper wire, bond the pump/motor to the house electrical panel or approved local bond. A bonding lug is provided on the pump/motor.

At initial start-up and before each use thereafter with power ON, push the GFCI test button on each circuit. The reset button should pop out. Push this button in to reset. If the interrupter fails to operate in this manner, there is a ground current flowing or a device malfunction, indicating the possibility of electrical shock. Turn off power and do not use the bath until the source of the problem has been identified and corrected.

**DANGER:** Risk of electric shock. Connect only to a circuit protected by a Ground Fault Circuit Interrupter (GFCI).

**CAUTION:** Operating the motor/pump without enough water in the bath can cause leaking and permanent damage to the pump. Before power is applied to the installation, make sure the switch is in the OFF position to avoid pump damage.

## LUXURY WHIRLPOOL INTERCONNECTION DIAGRAM

The interconnection of the Luxury Whirlpool equipment is shown in the following figure. It shows the only acceptable manner in which the system components may be interconnected for efficient and safe operation. If the equipment is not configured as shown in the figure, the equipment may not operate or it may result in damage to the equipment



### LEGEND

- A. Air control valve assembly
- B. System Control Module
- C. Ozone Generator, Water
- D. Pump-Motor, Two Speed, 115 VAC
- E. Pump-motor-ozone power distribution box
- F. Power supply plug, 115 VAC, 20 A
- G. Control panel, Seven-button
- H. Chromatherapy light

## PLUMBING AND WATER SUPPLY

Details for drain information, plumbing, and water supply are provided below.

### Drain Information

A drain/overflow assembly (sold separately) must be installed on the bath, water tested, and connected to the sanitary system of the house. After opening the carton, inspect for damage and verify that the kit is of the proper finish. In the Jacuzzi® Whirlpool Bath drain/overflow kit, note that the waste flange, strainer, overflow cover and cover screws are packaged in a separate package within the kit to protect the trim finish. Follow the installation instructions provided with the drain/overflow kit. After the drain is fully installed, test for proper drainage. If the unit does not drain properly, rectify this condition before proceeding with the installation. Jacuzzi® Whirlpool Bath is not responsible for removal or reinstallation costs.

**NOTE:** Watertight installation of the drain is the installer's responsibility. Drain leakage is excluded from the Jacuzzi® Whirlpool Bath warranty of this product.

### Plumbing


Pump, jets, and suction fittings for the whirlpool system are factory plumbed in schedule 40 PVC piping.

All Jacuzzi® Whirlpool Bath products are factory tested for proper operation and watertight connections prior to shipping. If leaks are detected, notify your Jacuzzi® Whirlpool Bath dealer. Do not install the unit.

### Water Supply

Consult local authorities for plumbing code requirements in your area.

**IMPORTANT:** Proper installation of the fill spout plumbing and compliance with local codes are the responsibility of the installer. Jacuzzi® Whirlpool Bath does not warrant connections of water supply fittings and piping, fill systems, or drain/overflow systems. Nor is it responsible for damage to the bath which occurs during installation.

 **CAUTION:** A nonflammable protective barrier must be placed between soldering work and bath unit to prevent damage to the bath.

## SHOWER INFORMATION

Because of some baths' unique contour design, a rigid shower door cannot readily be installed. If a shower is desired, we recommend a hand-held shower be installed in conjunction with a shower curtain, as this will allow the user to control the direction of the spray.

**NOTE:** Proper installation of a shower is the responsibility of the installer. Jacuzzi® Whirlpool Bath is not responsible for damage to the unit or for water damage which might occur due to its installation.

### ANTI-SIPHON VALVE

Optional Anti-Siphon valve installation. Anti-Siphon valve is not supplied with the tub. Consult your local plumbing code requirements for the minimum height above the tub rim.

### CLEAN-UP AFTER INSTALLATION

The acrylic finish will give long-lasting beauty when properly maintained. To avoid dulling and scratching of the finish, never use abrasive cleaners or harsh chemicals. A mild liquid detergent and warm water will clean soiled surfaces.

Remove spilled plaster with a wood or plastic edge. Metal tools will scratch the surface. Spots left by plaster or grout can be removed if lightly rubbed with a mild detergent and a damp cloth or sponge.

Minor scratches that do not penetrate the color finish can be removed by lightly sanding the surface with a 600-grit, wet-dry sandpaper. To restore the glossy finish, use a special compound like Meguiar's No. 10 Mirror Glaze. If it is not available, use an automotive rubbing compound followed by an application of automotive paste wax.

Major scratches and gouges that penetrate the acrylic surface may require refinishing. Ask your Jacuzzi® Whirlpool Bath dealer for special instructions or visit our web site at:

<http://www.jacuzzi.com/>

To find service agent listings for:

Electrical or Mechanical Repairs, visit:

<http://jacuzzi.com/pdf/ASA.PDF>

Finish, Surface, or Shell-Related Repairs, visit:

<http://jacuzzi.com/pdf/AFC.PDF>

Repair Parts or Accessories, visit:

<http://jacuzzi.com/pdf/MPD.PDF>

# OPERATION

**NOTE:** These instructions pertain to all bath products manufactured by Jacuzzi® Whirlpool Bath. Not all features discussed in this instruction manual apply to all baths.

All baths manufactured by Jacuzzi® Whirlpool Bath are designed for “fill and drain,” which means the bath should be drained after each use and filled with fresh water by the next bather. This is a health precaution, as these baths are not designed to hold water continuously like pools or spas. If you want a unit designed to continuously hold water, see your Jacuzzi® Whirlpool Bath dealer for the complete line of whirlpool spas available.

## WATER LEVEL

Close the drain and fill the bath until water is at least 1 to 2” (25 to 51 mm) above the highest jet (see water line indicated in the illustration).

**CAUTION:** Do not turn on the whirlpool system at any time if the jets are not completely immersed in water. Do not immerse the control panel by overfilling the bath. Running the whirlpool system when there is insufficient water in the bath could result in water spraying outside the bath area.

**IMPORTANT:** When exiting the bath, the water level will drop below the jets which could result in water being sprayed out of the unit. To prevent this, you must turn the unit off before exiting the bath.

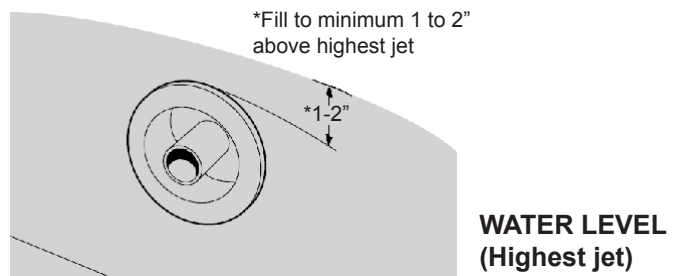
## CONTROLLING WHIRLPOOL ACTION

The whirlpool action in your bath, controlled manually and electronically, is influenced by three factors: Direction of flow, force of water, and force of air. Every bath manufactured by Jacuzzi® Whirlpool Bath that is equipped with fully adjustable PowerPro® jets, are manually adjustable for direction and water force. Some baths have additional jets which can be adjusted for direction only. Baths equipped with 2 speed motors and electronic controls can also influence water force and force of air.

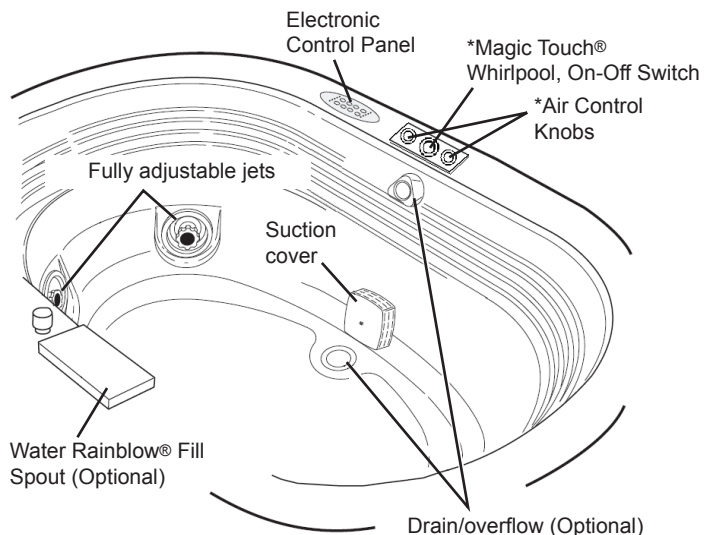
**DIRECTION:** To change the direction of the water flow, swivel the jet nozzle to the desired angle. The jets can be directed individually toward any location on your body to provide a hydromassage. The jets can also be adjusted so that they all point in the same direction (clockwise or counterclockwise) to circulate the water in a circular motion around the bath, causing a total whirlpool effect.

**WATER FORCE:** The high volume, fully adjustable PowerPro® jets can be manually adjusted to control the force of the water coming into the bath. For robust action, increase the force of the flow by rotating the jet handles to the left (counterclockwise). For a more gentle effect, rotate the handles to the right (clockwise). Customize water force by lowering water volume of 1 jet to increase water force in another jet. In units with 2-speed motors the water force can be increased or decreased using the electronic control. Never run the whirlpool system with all the jets closed.

**FORCE OF AIR:** Force of air is controlled electronically. Refer to the Control Panel instructions for details in adjusting force of air.

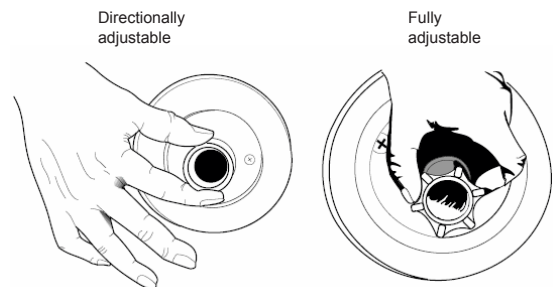


## Typical Bath Fittings



\*Selected units come with manual controls only.

## Jets



## ELECTRONIC CONTROL PANEL OPERATION

(With optional Chromotherapy/Illumatherapy™ lighting)

All tubs in this product line come with electronic controls and standard Chromotherapy or Illumatherapy™. Read and follow the operation instructions for the control system of your unit.

### General Functions

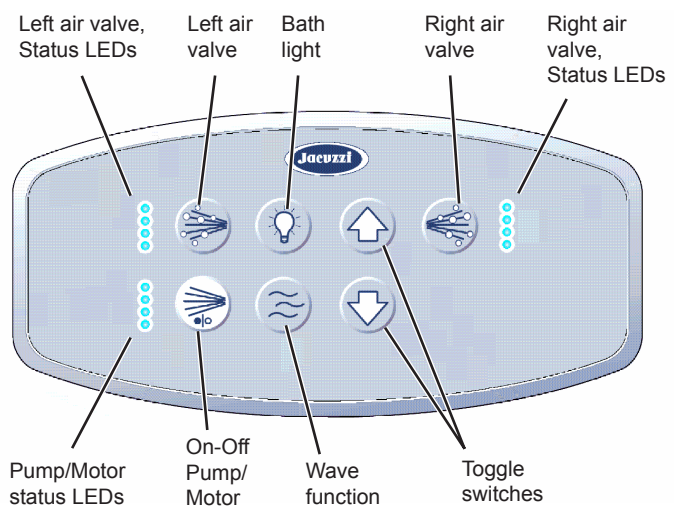
This Jacuzzi® tub is equipped with a seven-button electronic control panel. The seven-button panel controls a two-speed pump/motor, Chromotherapy or Illumatherapy™ lighting, air controls, and wave control. The LED lights (in the control panel) indicate function levels. When switching between functions, the LED for the inactive functions will dim and the active function will brighten.

When the water level is below the sensor, the pump/motor can not be activated. If the ON/OFF pump/motor button is pressed at this time, the pump/motor will not operate. When the water goes above the water level sensor, the pump/motor can be activated. If the water level drops below the level sensor, the pump/motor will shut off.

The pump/motor will automatically shut off thirty minutes after the pump/motor was turned on.

**NOTE:** Ensure the water level sensor located inside the bath is free of any soap or dirt buildup.

## CONTROL PANEL



**NORMAL OPERATION** (With bath filled to proper level)

**NOTE:** When switching between functions, the LED for the inactive functions will dim and the active function will brighten.



**Pump/Motor Switch (ON/OFF )**

Pressing this switch will turn ON the two-speed pump/motor at HIGH speed. Pressing a second time will turn OFF the pump/motor. To change speeds, use the Toggle buttons.



**Pump/Motor Status LED Indicator**

When the pump/motor is ON at HIGH speed, all four LED indicator lights will be lit. When the pump/motor is ON at LOW speed, the bottom LED indicator light will be lit.



**Left Air Valve Switch**

Pressing this button will activate the left air valves using the Toggle buttons to increase/decrease air flow to the left set of jets. The air flow can be adjusted from no air to maximum air.



**Left Air Valve Status LED Indicator**

The Left Air Valve Status LED will show four LED lights at maximum air, and only one LED light when the air is turned OFF. Each additional LED indicates more air flow.

**NOTE:** Pressing a toggle button after pressing either Air Valve button will increase or decrease wave action on that air valve.



**Right Air Valve Switch**

Pressing this button will activate the right air valves. Use the Toggle buttons to increase/decrease air flow to the right set of jets. The air flow can be adjusted from no air to maximum air.



**Right Air Valve Status LED**

The Right Air Valve Status LED will show four LED lights at maximum air, and only one LED light when the air is turned OFF. Each additional LED indicates more air flow.



**Wave Function Switch (ON/OFF )**

Pressing this button activates wave action by opening and closing air valves. Pressing a second time will turn OFF the wave action.

When pressing this button after pressing the Pump/Motor button or the Air Valve button, the wave action will work on both Right and Left Air valves.

**NOTE:** Pressing a toggle button after pressing both the Pump/Motor button first and then the Wave Function button will increase or decrease wave action on both air valves.



**Bath Light Switch (ON/OFF )**

Pressing this button will turn ON the white bath light(s). Pressing the Toggle buttons at this time will increase or decrease light intensity.

Pressing the button a second time will access the saved favorite color. To cycle lighting colors use the Toggle button. Pressing the Toggle button again will stop the light cycling. The color displayed when the cycle has been stopped will be saved as your favorite color.

Pressing it a third time will turn OFF the light.



**Toggle Switches**

The Toggle buttons, up and down, act on each of the other switches to increase, decrease, or modify functionality. Use the up arrow to increase and the down arrow to decrease.

- Pressing a Toggle button after pressing the Pump/Motor button will increase or decrease speeds on the Pump/Motor. If the pump/motor is on HIGH speed, press the down arrow to select LOW speed. If the pump/motor is on LOW speed, press the up arrow to select HIGH speed.
- Pressing an up or down Toggle button after pressing the Bath Light button once will increase or decrease the white light brightness. Pressing an up or down Toggle button after pressing the Bath Light button twice will begin cycling the light colors.  
  
Leave the colors cycling or press the same Toggle button again to stop the color cycling.  
  
With the lights stopped on a color pressing the Bath Light button a third time will turn OFF the light. (A favorite color will be saved ONLY when the cycling has been stopped on that color and then turned OFF.)
- Use the up and down Toggle switch to increase or decrease air flow to the left and right set of jets. The air flow can be adjusted from no air to maximum air.

**RAPIDHEAT™**

These units have a RapidHeat™ heater installed on the intake or discharge lines. The heater will help maintain the temperature of the water in the bath.

**Operation**

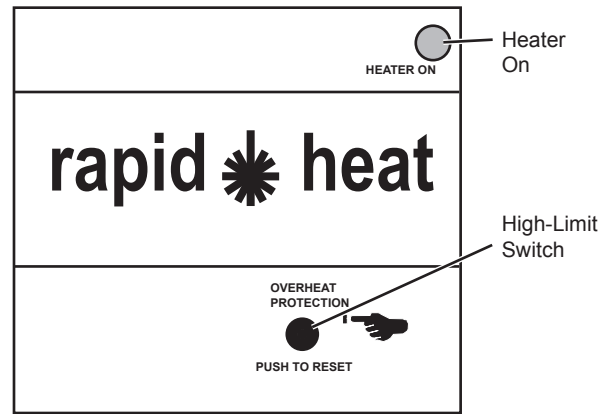
With the heater installed and the whirlpool pump is operating, the heating function is totally automatic. No user control required.

**Vacuum/Pressure Switch**

The heater is equipped with a preset vacuum/pressure switch which will not allow the heater to turn ON if the pump is not running with water flowing through the whirlpool system.

**High-Limit Switch**

The heater includes an exclusive High-Limit switch. This safety circuit will not false-trip from hot tap water. It will only turn off the heater if the thermostat fails. To reset, press the button. If the high-limit trips frequently, contact your Authorized Electrical/Mechanical Service Provider.



**CLEANING THE BATH**

To clean your bath, simply use a mild, nonabrasive liquid detergent solution. You can protect and restore the gloss to a dulled acrylic surface by applying Meguiar's No. 10 Mirror Glaze®, a product specifically designed for use on acrylic finishes. If Meguiar's is not available, an acrylic polish of equal quality or automotive paste wax is acceptable.

Never use abrasive household cleaners on any Jacuzzi® Whirlpool Bath product.

**REPAIRS TO THE SURFACE**

Minor scratches which do not penetrate the color finish can be removed by lightly sanding with 600-grit, wet/dry sandpaper. Restore the gloss using Meguiar's Mirror Glaze® or automotive paste wax.

Major scratches and gouges which penetrate the acrylic surface will require refinishing. Ask your Jacuzzi® Whirlpool Bath dealer for special instructions.

# MAINTENANCE

## BATH ADDITIVES

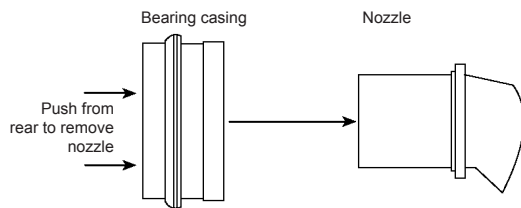
**NOTE:** Do not use oil or oil-based bath additives.

If you want to use any kind of bath additive, use only a small amount of low-foaming powder or crystal substance; the whirlpool action intensifies the foaming properties of soaps.

The use of certain bath oils, bubble baths and bath additives may increase the level of accumulations of bath residue in the whirlpool system. If excess accumulations persist, you should discontinue use of these products.

## SPINNING JETS MAINTENANCE (Models equipped with spinning jets)

If hair or other kind of debris gets caught in the bearings of these jets, it could cause them to stop spinning. This may require disassembly and cleaning. To do this, simply grab the nozzle and pull straight out of the jet housing. The bearing casing will be attached to the nozzle. These can be separated by holding the casing and pushing the nozzle out from the rear of the casing. After cleaning, reassemble in reverse.



## PURGING THE WHIRLPOOL SYSTEM

**NOTE:** The Whirlpool system should be purged at least twice a month.

To remove accumulations of bath residue from the whirlpool system, it is recommended that a whirlpool bath be purged at least twice a month. For best results, however, we recommend that you purge your whirlpool bath after each use using, Systems Clean™, our exclusive two-part plumbing system cleaner made specifically for whirlpool baths.

Systems Clean™ is available through an authorized Jacuzzi® Whirlpool Bath distributor or by calling us direct at 1-800-288-4002.

## SYSTEMS CLEAN™ INSTRUCTIONS

Refer to the instructions on the Systems Clean™ packet.

**CAUTION:** Do not use while bathing. Use extreme caution when handling this product.

Immediately after bathing and exiting the whirlpool bath, leave the bath water in the tub and add more hot water. The water level in the tub must be at least 2" (51 mm) above the highest jet.

**NOTE:** Inducted air from the hydromassage system will cause the Systems Clean™ contents to foam increasing odor.

Turn OFF the whirlpool air control or turn it to the lowest setting and pour in the entire contents of Packet No. 1 ONLY directly into the bath water. For best results, pour the System Clean into the tub near the intake for the circulation pump and be sure to avoid contact with your skin. Allow the whirlpool to run for 30 seconds and then add Packet No. 2 ONLY. It is important to use Packet No. 1 before Packet No. 2 to avoid a strong odor. Allow the bath to run for 5 to 10 minutes then drain the tub completely. Refill the tub with cold water and run for 2 to 3 minutes. Drain completely and rinse off any residue. Remember to reset the air valves to your bathing comfort level.

**DANGER:** Harmful if swallowed. Eye irritant. Protect your eyes, skin and mucus membranes from contact with this product or its concentrated solution. A strong alkaline product can cause severe burns to the eyes and skin.

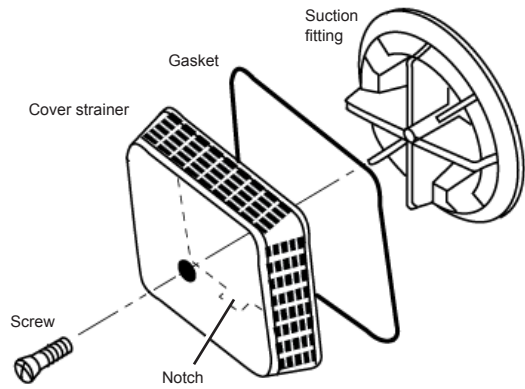
If you have followed the standard purging instructions above and still have an excess accumulation of bath residue and desire an alternative cleaning mechanism, we recommend Super Systems Clean™ Plus, manufactured by Stearns Packaging, to rectify this condition. This may be obtained by contacting us at 1-800-288-4002. It is recommended that you follow the instructions provided by the manufacturer with the product. Repeated use may be necessary. Super Systems Clean™ Plus does not replace the necessity to regularly purge your whirlpool system with Systems Clean™ Plus as recommended.



**SUCTION/INTAKE COVER/STRAINER**

Clean the suction/intake cover/strainer of hair and debris when necessary. To do this, remove the center screw and detach the square cover. Clean the cover by backflushing debris from the holes. Replace the suction/intake cover immediately after cleaning. When reinstalling, orient the cover/strainer with the small notch at the bottom. The gasket must be inserted into the groove of the cover/strainer before reinstalling onto the suction fitting.

**CAUTION:** Keep hair a minimum of 6 inches (152 mm) away from the suction/intake fitting at all times when the whirlpool system is operating. Hair longer than shoulder length should be secured close to the head, or a bathing cap should be worn. Do not operate the whirlpool system with the suction/intake cover removed! It is a safety device and must always be in place on the suction fitting to minimize the potential hazard of hair or body entrapment.



**Suction Cover, Strainer Assembly**

**LIGHTING (Chromotherapy)**

Your unit has Chromotherapy (LED) lighting. If the lights fail to function contact your Jacuzzi® Whirlpool Bath dealer. There are no customer serviceable components on the Chromotherapy lighting.

Replacement fixtures are available from your Jacuzzi® Whirlpool Bath dealer.

**LIGHTING (Optional Illumatherapy™)**

If your unit has Illumatherapy (fiberoptic) lighting and the lights fail to function contact your Jacuzzi® Whirlpool Bath dealer. There are no customer serviceable components on the Illumatherapy lighting.

Replacement fixtures are available from your Jacuzzi® Whirlpool Bath dealer.

# TROUBLESHOOTING GUIDE

PROBLEM	PROBABLE CAUSES	REMEDY
Pump/motor does not start	No power to pump/motor	Reset GFCI
	Pump/motor not plugged in	Insert plug fully into outlet
	Pump/motor faulty	Replace pump/motor assembly
Control Panel not responding	No power to control panel	Power down the system by either unplugging the unit or shutting off the power at the house breaker panel. Wait 15 seconds then power back up. Retry the system by activating the feature that was not responding
	Control panel cable is disconnected	Reconnect control panel cable at control or junction bo
Pump/motor operates but no fully-adjustable jets are functioning	Jets are closed	Open jets by counterclockwise rotation
	Suction cover/strainer may be clogged	With motor turned Off, remove suction cover-strainer and remove any debris. Clean thoroughly before replacing. <b>Replace suction cover before operating</b>
Pump/motor operates but air is not injected into water	Air valves closed	Use electronic control panel to open air valves. Reset air valves to allow air flow
Water leakage from pump unions	Overtightened, O-ring may be pinched or improperly seated or undertightened	Untighten unions to check and reseal O-ring. If O-ring has been pinched out of shape, replace it (refer to Service Support number below). When tightening union nuts, hand tighten only
	Motor thermal protection has deactivated pump-motor due to overheating (Supply voltage low)	Let motor cool; thermal protection will reset. Check for proper ventilation (Check supply voltage)
Pump/motor shuts off by itself before set time elapses	GFCI tripped	Reset GFCI. If it continues to trip, do not use this unit. Disconnect the unit and have the problem corrected by a licensed electrician before using
	Inadequate supply wiring	Consult a licensed electrician to correct wiring to unit
Chromatherapy lights fail to operate	Connector has come loose	Consult the nearest Jacuzzi authorized service agent
Lighting does not work	Cable disconnected or broken	Reconnect loose cable. Repair broken cables wires

**NOTE:** If unit is within the warranty period, contact Service Support at 800-288-4002 with bath's serial number before work is started. The serial number is located on the specification/serial number plate, see Authorized Service.

# AUTHORIZED SERVICE

If you need a referral for a service company near you, or need assistance with operation or maintenance-related questions, please call our Service Support Department at 1-800-288-4002. Visit our web site at <http://www.jacuzzi.com/> for products, services, and an on-line copy of these Installation and Operation Instructions.

To find service agent listings for:

Electrical or Mechanical Repairs visit <http://jacuzzi.com/pdf/ASA.PDF>

Finish, Surface, or Shell-Related Repairs visit <http://jacuzzi.com/pdf/AFC.PDF>

Repair Parts or Accessories visit <http://jacuzzi.com/pdf/MPD.PDF>

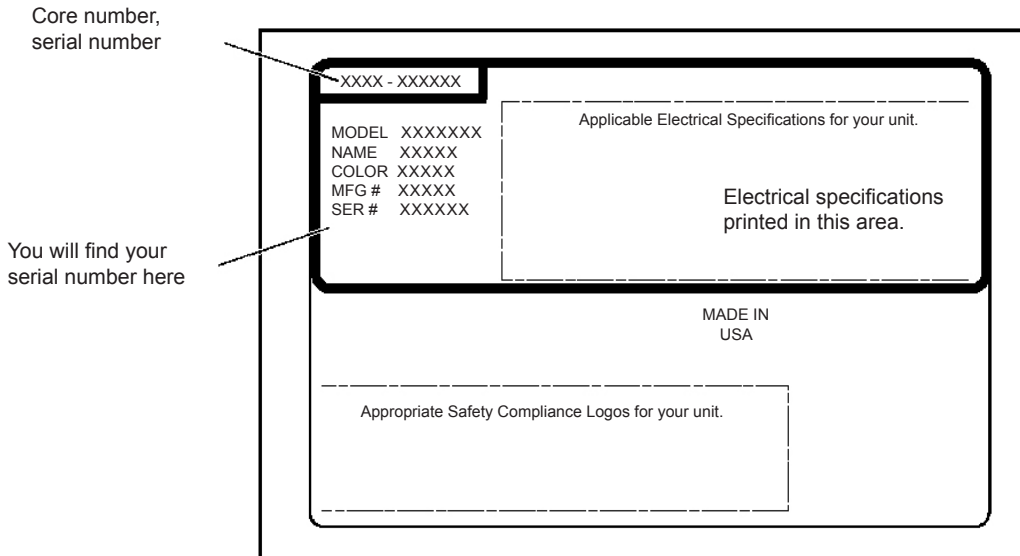
When requesting service or technical assistance please have available both the model and serial number of your unit. This information can be obtained from the product registration card provided with your unit. If the card has been misplaced, this information can be obtained from the specification/serial number label on the unit itself (for location of specification/serial number label see below).

## BATH PRODUCTS

On the whirlpool bath, the label is located on the wall of the bath near the pump/motor.

On non-jetted baths, the label is located next to the drain/overflow.

### SPECIFICATION/SERIAL NUMBER LABEL



PRODUCT SPECIFICATIONS ARE SUBJECT TO CHANGE WITHOUT NOTICE.

USE INSTALLATION INSTRUCTIONS SUPPLIED WITH PRODUCT.

Jacuzzi® Whirlpool Bath has obtained applicable code (standards) listings generally available on a national basis for products of this type. It is the responsibility of the installer/owner to determine specific local code compliance prior to installation of the product. Jacuzzi® Whirlpool Bath makes no representation or warranty regarding, and will not be responsible for any code compliance.

### **Jacuzzi® Whirlpool Bath**

14525 Monte Vista Avenue  
Chino, California, 91710

## Limited Lifetime Warranty on Jacuzzi Branded Baths for the for the Comfort, Comfort Plus, Pure Air®, Luxury, Salon™ Spa, and Pure Air® II Collections

### WARRANTY COVERAGE

Jacuzzi Whirlpool Bath (the "Company") offers the following expressed limited lifetime warranty to the original purchaser of any Jacuzzi® Whirlpool Bath products provided in the Company's Comfort, Comfort Plus, Pure Air®, Pure Air® II, and Luxury™ collections ("Bath") who purchases the Bath for personal or single family residential use ("User"): The Company will repair or replace, at its sole option, the Bath or its equipment in accordance with the following terms and conditions. This warranty does not apply to non-branded Bath products manufactured by the Company.

### LIFETIME WARRANTY ON BATHS

The Company extends to the User of the Bath a non-transferable limited lifetime warranty that the shell will maintain its structural integrity and configuration and be free of water loss due to a defect in the tub shell. This warranty covers only the tub shell and the manufacturer installed pump, jets, controls, and blower against defects in material or workmanship. This warranty does not apply to any display models or to any options or accessories which are covered under our limited ninety (90) day warranty set forth below. Warranty coverage begins on the date the unit was originally purchased by the User and upon receipt by the Company of a completely filled out Warranty Registration Card as described below.

### 2 YEAR LABOR WARRANTY FOR ALL FACTORY INSTALLED COMPONENTS

Our limited labor warranty is for a period of two (2) years from the date the unit was originally purchased by the User, but not more than Three (3) Years from date of manufacture. All factory installed components (e.g., pump, motor, blower, and plumbing) are covered under our labor warranty against failure due to defects in materials and workmanship.

### NINETY DAY (PARTS ONLY) LIMITED WARRANTY ON OPTIONS AND ACCESSORIES

Our limited warranty on options and accessories is for ninety (90) days for parts only. Our warranty covers options and accessories manufactured (e.g., fill spout kits, trim kits, skirts, video monitors, plasma television screens, CD and MP3 players and other music and video devices and optional heaters) against defects in material or workmanship. Warranty coverage begins on the date the option or accessory was originally purchased by the User. These items may be covered by a manufacturer's warranty which may have a longer duration than this limited warranty. Please confirm with the manufacturer the duration of the appropriate warranty for Options and Accessories.

### WARRANTY LIMITATIONS

Our limited warranty does not cover defects, damage, or failure caused by the common carrier, installer, user, or other persons, pets, or rodents, or resulting from, without limitation, any of the following: careless handling (lifting unit by plumbing, abrading finish, etc.) including its own negligence; modification of any type for any reason (including modification to meet local codes); improper installation (including installation not in accordance with instructions and specifications provided with the unit); connections supplied by the installer of the equipment; improper voltage supply or unauthorized electrical modification; misuse; incorrect operation, or lack of proper routine maintenance; operation of the unit without specified minimum amount of water or at inappropriate water temperature; use of abrasive or improper cleaners; or acts of God, such as lightning, floods, earthquakes, etc.

In addition, THE COMPANY WILL NOT BE RESPONSIBLE FOR INCIDENTAL OR CONSEQUENTIAL DAMAGES or losses arising from any cause (e.g., water damage to carpet, ceiling, tiles, marble, loss of use, etc.) including its own negligence; damages to, respecting, or resulting from: plated parts when pool and/or spa chemicals are used in the unit or hard water conditions; optional bath equipment not manufactured by the Company but supplied by Dealer, installer or the Company; the unit's prior usage as an operational display; or defects that should have been discovered before installation.

This limited warranty does not include: labor, transportation, or other costs incurred in the removal and/or reinstallation of the original unit and/or installation of a replacement unit; any costs relating to obtaining access for repair; or loss of use damage, including loss of sales, profit or business advantage of any kind under any circumstances. Bath units are excluded from any warranty coverage if any addition, deletion, or modification of any kind whatsoever has been made to the unit (or to any component). Warranty coverage is provided in the United States of America and Canada only.

### EXCLUSION OF IMPLIED WARRANTIES

IMPLIED WARRANTIES OF MERCHANTABILITY AND FITNESS FOR A PARTICULAR PURPOSE ARE DISCLAIMED ALTOGETHER OR TO THE FULLEST EXTENT ALLOWED BY LAW.

NOTICE: This warranty gives you specific legal rights, and you may also have other rights which vary from state to state. There are no warranties applicable to Jacuzzi Whirlpool Bath products except as expressly stated herein or as implied by applicable state and federal laws. The Company will not be responsible for any statements or representations made in any form that go beyond, are broader than or are inconsistent with any authorized literature or specifications furnished by the Company. Some states do not allow limitations on how long an implied warranty lasts, or the exclusion or limitation of incidental or consequential damages, so the above limitations and exclusions may not apply to you.

Luxury Bath by Jacuzzi®  
K339000Y, April 2008



Jacuzzi© Whirlpool Bath  
14525 Monte Vista Avenue  
Chino, California 91710

**RETURN OF WARRANTY CARD**

The attached Warranty Registration Card MUST be filled out by the purchaser within thirty (30) days from purchase and received by Jacuzzi Whirlpool Bath in order for this warranty to become effective.

**RESPONSIBILITIES OF OTHERS**

Inspecting the unit prior to installation is the responsibility of the installer or building contractor who acts on behalf of the User. They are responsible for ensuring the unit is free of defect or damage. Notices are placed on and in the unit and on the shipping carton advising the installer of this responsibility. In the event of a problem, the unit must not be installed. The Company is not responsible for failures or damage that could have been discovered, repaired, or avoided by proper inspection and testing (including proper water testing) prior to installation.

Damage occurring in transit is the responsibility of the carrier. The User or installer MUST open the crate and inspect the unit for damage when it is delivered. If damage is discovered, it must be reported immediately to the seller and the carrier in writing, and an inspection requested. Failure of the carrier to respond should be reported to the seller and the carrier. Your freight claims should be filed promptly thereafter.

It is the responsibility of the installer, building contractor, or User to provide access for service. The Company is not responsible for any costs relating to obtaining access for repair. The User shall bear such costs and, if appropriate, must seek recovery from the installer.

Damage occurring to the unit during installation is the responsibility of the installer and/or building contractor and damage occurring thereafter is the responsibility of the user.

Failure of any optional equipment is the sole responsibility of the equipment manufacturer except as provided above and shall not extend to or apply to any replacement parts for the Options and Accessories. Any replacement parts shall be covered by the original equipment manufacturer.

The Distributor or Dealer is responsible for knowing local code requirements and notifying the installing contractor and/or User of these requirements at the time of purchase. The Company is not responsible for costs to modify any product to obtain any code approval, such as city, county, or state building codes in U.S.A. or municipal or provincial codes in Canada.

**WARRANTY SERVICE**

For the customer's benefit, the Company maintains a list of independent service personnel to perform required warranty service repairs. Such firms are not agents or representatives of the Company and cannot bind the Company by words or conduct.

The Company will provide the warranty service described above when the following conditions have been met: the failure is of the nature or type covered by the warranty; the User has informed an Authorized Jacuzzi Whirlpool Bath Service Agent or Warranty Service Department Representative of the nature of the problem during the warranty period; conclusive evidence (e.g., proof of purchase or installation) is provided to the foregoing by the user proving that the failure occurred or was discovered within the warranty period; an authorized independent service person or Company representative has been permitted to inspect the unit during regular business hours within a reasonable time after the problem was reported by the User.

In order to obtain warranty service, contact the nearest Jacuzzi Whirlpool Bath Authorized Service Agent ([http://www.jacuzzi.com/trade/bath\\_product\\_support/repairs/](http://www.jacuzzi.com/trade/bath_product_support/repairs/)) for listing. Describe the problem and the Authorized Service Agent will inspect the unit and provide the required warranty service.

If you are unable to contact a Jacuzzi Whirlpool Bath Authorized Service Agent, call or write:

Jacuzzi Whirlpool Bath  
Warranty Service Department  
14525 Monte Vista Avenue  
Chino, California 91710  
Call: 1-(800) 288-4002

To obtain warranty replacement for factory-installed components for Company supplied options and accessories manufactured and supplied by the Company, call or write the above. Provide a description of the problem and proof of purchase. You will be instructed how to obtain replacements and where to return, at your expense, the failed component(s), option(s), or accessory(ies).

All replacement parts, equipment, and repairs shall assume the remaining warranty period of the part(s) replaced. The Company's warranty obligation shall be discharged upon tender of replacement or repair. The customer's refusal to accept the tender terminates the Company's warranty obligation.

To register your product, please go to our web-site [Jacuzzi.com](http://www.jacuzzi.com), click on Bath and Showers, then select ONLINE WARRANTY REGISTRATION from the top of the page. You will then be prompted to enter your product Serial Number followed by your warranty registration information.

Ninety-Day Parts Only Limited Warranty On Accessory(ies)  
 Limited Warranty On Accessory(ies)

Ninety-Day Parts Only Limited Warranty On Accessory(ies)  
 Limited Warranty On Accessory(ies)

**JACUZZI WHIRLPOOL BATH**  
K339000Y



**WARRANTY REGISTRATION CARD**

This card must be filled out and returned to the address printed on the other side within thirty (30) days from date of purchase in order for this warranty to be come effective.

Purchaser's Name \_\_\_\_\_

Purchaser's Address \_\_\_\_\_

City \_\_\_\_\_ State \_\_\_\_\_ Zip \_\_\_\_\_

Date of Purchase \_\_\_\_\_

Model Name \_\_\_\_\_

Serial Number \_\_\_\_\_

Dealer's Name \_\_\_\_\_

Dealer's Address \_\_\_\_\_

- How did you first hear about this Jacuzzi® product?
  - Advertisement  Article in Magazine/Newspaper
  - Visited Dealer/Plumbing Supplier  Yellow Pages
  - Builder/Plumber/Remodeler  Decorator/Architect
  - Visited Retailer/Home Center Store
  - Word of Mouth ... Friend/Relative/Acquaintance
  - Other (Please Describe) \_\_\_\_\_
- Who first gave you specific information about this product (specifications, prices, etc.)?
  - Dealer/Plumbing Supplier  Builder  Remodeler
  - Plumbing Contractor  Retailer/Home Center Store
  - Decorator/Architect  Already Installed
  - What was the main reason for purchase?
    - Styling  Warranty/Service  Product Features
    - Brand Name  Price  Hydrotherapy
    - Home Resale \_\_\_\_\_
    - Other \_\_\_\_\_
- Who finally decided which product you would buy?
  - Self  Spouse  Self and Spouse Together
  - Other Family Member  Designer/Architect
  - Builder/Plumber/Remodeler  Already Installed
  - Who installed?  Already installed/New Home
  - Contractor/Plumber when remodeling
  - Self/Spouse when remodeling
  - Other \_\_\_\_\_
- What is the current market value of this property?
  - Please estimate \$ \_\_\_\_\_
- What is the age of the head of the household? \_\_\_\_\_ years
- What other manufacturers did you consider?
  - Ejer  Lasco  Price Pritser  Aqua Glass
  - Kohler  American Standard  Sterling
  - Other (Specify) \_\_\_\_\_
- How long did you shop before purchasing unit?
  - 1 day  2 months- 6 months
  - 2-7 days  6 months- 1 year
  - 1 week- 2 weeks  1 year- 2 years
  - 2 weeks- 4 weeks  +2 years
  - 1 month- 2 months
- Approximately how long have you lived in this home? \_\_\_\_\_
- Please indicate, approximately, the total annual income of your household.
  - Up to \$24,999  \$50,000 to \$74,999
  - \$25,000 to \$29,999  \$75,000 to \$99,999
  - \$30,000 to \$39,999  \$100,000 to \$149,999
  - \$40,000 to \$49,999  \$150,000 and Above
- Was your purchase process?
  - Very easy  Easy  Difficult  Very Difficult
  - How technically aware were you of the patented Jacuzzi® jet system prior to your purchase?  Not aware  Somewhat aware  Very aware

***THIS PAGE INTENTIONALLY LEFT BLANK***



# SÉRIE DE BAINS LUXURY

## INSTRUCTIONS D'INSTALLATION ET DE FONCTIONNEMENT

**Conserver ces instructions pour une utilisation ultérieure.**

Complet et le courrier dans la carte d'enregistrement de produit fournie avec votre unité.  
Écrivez et sauvez le numéro de modèle et série de votre unité ci-dessous.

### À remplir par le propriétaire

Date d'achat \_\_\_\_\_

Lieu d'achat \_\_\_\_\_

Installé par \_\_\_\_\_

Numéro de série \_\_\_\_\_

Modèle \_\_\_\_\_

**Installateur:** Manuel destiné au propriétaire.

**Propriétaire:** Lisez ce manuel et conservez-le pour référence future.

*TROUVEZ AUSSI LE MANUEL EN LIGNE INTERNET À JACUZZI.COM*

# INSTRUCTIONS DE SÉCURITÉ IMPORTANTES

## LIRE ET RESPECTER TOUTES LES INSTRUCTIONS

### CONSERVER CES INSTRUCTIONS

#### INSTRUCTIONS CONCERNANT LES RISQUES D'INCENDIE, LES CHOCS ÉLECTRIQUES ET LES BLESSURES

**AVERTISSEMENT:** Lorsque cette unité est utilisée, des précautions de base doivent toujours être prises notamment:

**AVERTISSEMENT:** Utiliser cette unité uniquement conformément à l'usage prévu tel qu'indiqué dans ce manuel. Ne pas utiliser d'accessoires non recommandés par le fabricant.

**DANGER:** Pour réduire les risques de blessures, ne pas laisser les enfants utiliser cette unité sauf en cas de surveillance étroite par un adulte.

**AVERTISSEMENT:** Ne jamais faire tomber ou insérer un objet dans une ouverture.

**AVERTISSEMENT:** Le risque de Décharge électrique: Le Bain de Salon peut avoir deux sources de pouvoir dans le cas où deux débranche des changements sont tenu de de-energize l'unité avant l'entretien.

### INSTALLATION

**REMARQUE :** Ceci est un produit de classe professionnelle. Une connaissance des techniques de construction, de la plomberie et de l'installation électrique conformément aux codes en vigueur est requise pour une installation adéquate et la satisfaction de l'utilisateur. Il est recommandé de faire effectuer l'installation de tous les produits Jacuzzi® Whirlpool Bath par un entrepreneur licencié. Notre garantie ne couvre pas les problèmes liés à une installation incorrecte.

**REMARQUE:** Installer cet appareil en respectant le code électrique canadien, 1re Partie.

**AVERTISSEMENT:** Ce matériel est prévu pour utiliser à l'intérieur uniquement. Installer ce matériel en suivant ces instructions. Utiliser des fils d'alimentation appropriés pour 75°C, y compris le nominal de température des conducteurs d'alimentation à utiliser. Cette unité doit être électriquement mise à la terre et installée par un entrepreneur, un électricien ou un plombier qualifié. Les matériaux de construction et le câblage doivent être écartés du moteur/de la pompe, de la soufflante ou de tout autre composant de l'unité générant de la chaleur.

Un connecteur à pression est fourni à l'extérieur du moteur/de la pompe et du chauffage pour permettre de connecter un conducteur de raccordement en cuivre massif de 8,4 mm (N° 8 Awg [calibre des fils Américain]).


**AVERTISSEMENT:** Cet appareil ne doit être branché qu' à un circuit d'alimentation protégé par un disjoncteur de fiche de terre 15 A (GFCI). Le disjoncteur de fuite à la terre doit être fourni par l'installateur et doit être testé régulièrement. Pour tester le disjoncteur de fuite à la terre, appuyer sur le bouton de test. Le disjoncteur doit couper l'alimentation. Appuyer sur le bouton de réinitialisation. L'alimentation doit être restauré. Si le disjoncteur ne fonctionne pas de cette manière, il est défectueux. Si le disjoncteur coupe l'alimentation vers la baignoire sans que le bouton de test n'ait été activé, un courant à la terre est présent, indiquant un risque de choc électrique. Ne pas utiliser cette baignoire à hydromassage. Débrancher la baignoire à hydromassage et faire corriger le problème par un technicien d'entretien qualifié avant d'utiliser le produit.

**AVERTISSEMENT:** (Pour les unités à connexion permanente) une borne verte (ou un connecteur marqué «G.» «GR,» «GROUND» (terre), ou «GROUNDING» (mise a la terre) est fourni dans le compartiment de la borne. Pour réduire les risques de choc électrique, connecter la borne ou le connecteur à la borne de terre du service électrique ou du panneau d'alimentation avec un connecteur de taille similaire à celle des conducteurs du circuit.

Pour les unités intégrées et encastrées, installer de façon à permettre l'accès pour l'entretien.



## FONCTIONNEMENT

 **MISE EN GARDE:** Tester régulièrement le disjoncteur de fuite à la terre protégeant cet appareil conformément aux instructions du fabricant.

**AVERTISSEMENT:** Risque d'hyperthermie et de noyade; une température de l'eau supérieure à 40°C (104°F) peut nuire à la santé. Vérifier et régler la température de l'eau avant l'utilisation.

**AVERTISSEMENT:** Une immersion prolongée dans l'eau chaude peut provoquer une hyperthermie. L'hyperthermie a lieu lorsque la température interne du corps atteint un niveau de plusieurs de degrés au-delà de la température normale du corps de 37°C (98,6°F). Les symptômes de l'hyperthermie incluent une augmentation de la température interne du corps, des vertiges, une léthargie, une somnolence et un évanouissement. Les effets de l'hyperthermie incluent:

- a. Réduction de la perception de la chaleur.
- b. Non-reconnaissance du besoin de sortir de la baignoire ou du Jacuzzi®.
- c. Non-conscience de la présence d'un danger imminent.
- d. Lésions du fœtus chez les femmes enceintes.
- e. Inaptitude physique à sortir de la baignoire ou du Jacuzzi®.
- f. Inconscience entraînant un danger de noyade.

**AVERTISSEMENT:** Risque de lésions du fœtus; les femmes enceintes ou possiblement enceintes doivent consulter un médecin avant d'utiliser une baignoire à hydromassage équipée d'un chauffage.

**AVERTISSEMENT:** L'Usage d'alcool, de stupéfiants ou de médicaments peut grandement augmenter les risques d'hyperthermie fatale. Les personnes prenant des médicaments et/ou présentant un passé médical problématique doivent consulter un médecin avant d'utiliser une baignoire à hydromassage équipée d'un chauffage.

**AVERTISSEMENT:** Risque d'hyperthermie et de noyade; ne pas utiliser la baignoire à hydromassage équipée d'un chauffage immédiatement suite à une activité physique vigoureuse.

**AVERTISSEMENT:** Ne pas faire fonctionner cette unité sans le garant installé sur le raccord d'aspiration.

**AVERTISSEMENT:** Garder le corps et les cheveux à au moins 152 mm (6 po) du raccord d'aspiration à tout moment lorsque le système d'hydromassage est activé. Les cheveux plus long que les épaules doivent être bien attachés près de la tête.

**AVERTISSEMENT:** Ne pas modifier les commandes de l'utilisateur ou les dispositifs similaires.

**AVERTISSEMENT:** Utiliser cette unité uniquement conformément à l'usage prévu tel qu'indiqué dans ce manuel. Ne pas utiliser d'accessoires non recommandés par les fabricants.

**AVERTISSEMENT:** Pour éviter les blessures, faire preuve de prudence pour entrer et sortir de la baignoire à hydromassage.

**AVERTISSEMENT:** Risque de choc électrique; ne pas permettre d'appareils électriques (tels que sèche-cheveux, lampe, téléphone, radio ou télévision) à moins d' 1,5 m (60 po) de cette baignoire à hydromassage.

- Ne pas utiliser le système à hydromassage à moins que la baignoire ne soit remplie jusqu'à au moins 25-51 mm (1-2 po) au-dessus du jet le plus haut.
- Ne pas immerger le panneau de commande en remplissant trop la baignoire.
- Ne pas utiliser de produits de bain à base d'huile dans la baignoire à hydromassage.
- Lors du nettoyage de la baignoire, ne pas utiliser de substances abrasives pouvant endommager la surface de la baignoire.
- Pour éviter la décoloration du fini en acrylique, ne pas remplir la baignoire d'eau à une température supérieure à 60°C (140°F).

LES SPÉCIFICATIONS DU PRODUIT SONT SUJETTES À MODIFICATION SANS PRÉAVIS.

UTILISER LES INSTRUCTIONS D'INSTALLATION FOURNIES AVEC LE PRODUIT.

La société a obtenu l'homologation aux codes (normes) en vigueur généralement applicables aux produits de ce type à une échelle nationale. Il relève de la responsabilité de l'installateur/du propriétaire de déterminer la conformité aux codes locaux spécifiques avant l'installation du produit. La société ne fait aucune représentation ou garantie concernant toute conformité aux codes et ne peut également pas en être tenue responsable.

# TABLE DES MATIÈRES

Instructions de Sécurité Importantes . . . . .	32
Spécifications . . . . .	35
Baignoires Rectangulaires . . . . .	35
Baignoires Ovalees et Ronds . . . . .	37
Baignoires de Coin . . . . .	38
Plomberie Brute . . . . .	39
Baignoires Rectangulaires . . . . .	39
Baignoires Ovalees . . . . .	42
Baignoires de Coin et de Ovalados . . . . .	43
Installation . . . . .	44
Armature et Support . . . . .	44
Bandes D’Ancrage . . . . .	44
Accès pour l’Eentretien . . . . .	45
Recommandations de Déblayage . . . . .	46
Installation d’Unité . . . . .	46
Commencez l’Installation . . . . .	47
Connexions Électriques . . . . .	48
Plomberie et Arrivée D’eau . . . . .	49
Informations Concernant la Vidange . . . . .	49
Plomberie . . . . .	49
Arrivée d’Eau . . . . .	49
Informations de Douche . . . . .	49
Soupape Anti-Siphonnement (en Option) . . . . .	49
Nettoyage Après l’Installation . . . . .	49
Fonctionnement . . . . .	50
Niveau de l’Eau . . . . .	50
Contrôle de l’Action de Tourbillon . . . . .	50
Fonctionnement du Panneau de Contrôle . . . . .	51
Fonctions Générales . . . . .	51
Opération Normale . . . . .	52
Fonctionnement du RapidHeat . . . . .	53
Fonctionnement . . . . .	53
Contacteur à Vide . . . . .	53
Contacteur Haute Limite . . . . .	53
Nettoyage de la Baignoire . . . . .	53
Réparations de Surface . . . . .	53
Entretien . . . . .	54
Produits de Bain . . . . .	54
Le Fait de Lancer la Maintenance de Jets . . . . .	54
Purge du Système à Remous . . . . .	54
Instructions de Systems Clean . . . . .	54
Entretien du Couvercle d’Aspiration/du Filtre . . . . .	55
L’éclairage (Chromotherapy Allumant) . . . . .	55
L’éclairage (Illumathery Allumant Optionnel) . . . . .	55
Dépannage Général . . . . .	56
Entretien et Réparations par des Techniciens Agrées . . . . .	57
Garantie Limitée . . . . .	

# SPÉCIFICATIONS

## BAIGNOIRES RECTANGULAIRES

**IMPORTANT:** Lire les instructions dans leur intégralité avant de commencer l'installation.

Chaque baignoire à remous est livrée prête pour l'installation et complètement équipée du moteur/de la pompe, de la tuyauterie et des raccords nécessaires au fonctionnement de la baignoire à remous. Un kit de vidange/trop-plein est disponible pour être installé sur la baignoire.

Retirer la baignoire du carton. Conserver le carton d'expédition jusqu'à ce qu'une inspection satisfaisante du produit ait eu lieu.

**MISE EN GARDE:** Ne jamais relever la baignoire par la tuyauterie; manipuler uniquement par la coque.

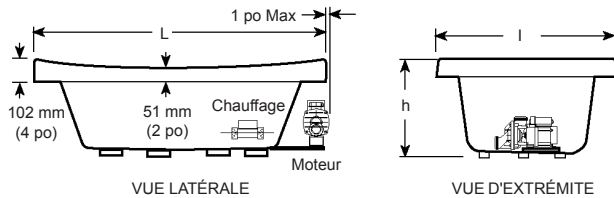
Dès réception, inspecter la coque avant l'installation. Si l'inspection révèle un dommage ou un défaut quelconque dans le fini, ne pas installer la baignoire. Les réclamations

concernant les dommages ou les défauts faites après l'installation de la baignoire sont exclues de la garantie. La responsabilité de Jacuzzi® Whirlpool Bath concernant les dommages durant l'expédition cesse à la livraison de produit en bon état au transporteur. Faire toute réclamation en cas de dommages auprès du transporteur. Pour les définitions concernant la couverture et les limitations de la garantie, consulter les informations de garantie publiées emballées avec le produit.

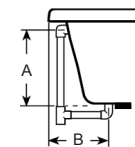
Toutes les baignoires sont testées en usine pour vérifier leur bon fonctionnement et l'étanchéité des connexions avant l'expédition.

**REMARQUE:** Avant l'installation, la baignoire doit être remplie avec de l'eau et actionnée pour vérifier qu'il n'y a pas de fuites résultant de dommages qui auraient pu avoir lieu durant le transport ou la manipulation. Jacuzzi® Whirlpool Bath n'est pas responsable des défauts qui auraient pu être découverts, réparés ou évités en suivant cette procédure d'inspection et de test.

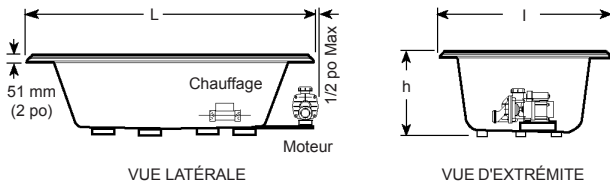
FRANÇAIS



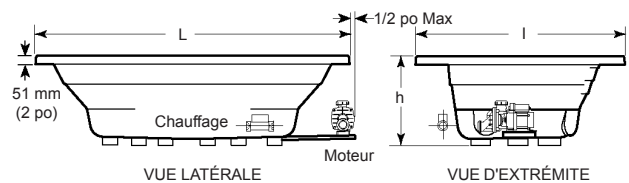
**Allusion**



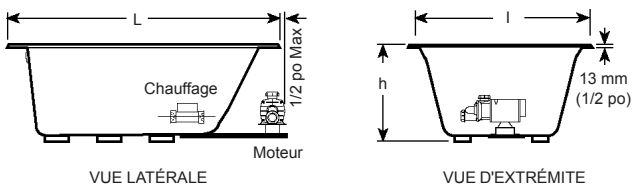
**Vidange/Trop-plein**



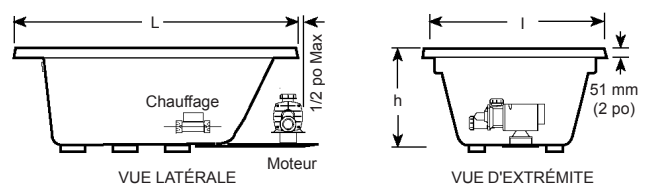
**Bellavista**



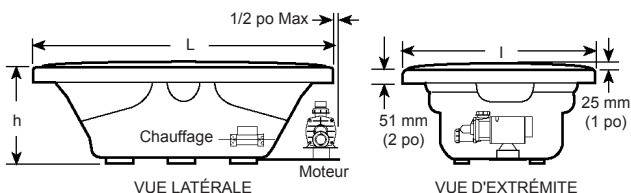
**Ciprea™, RH**



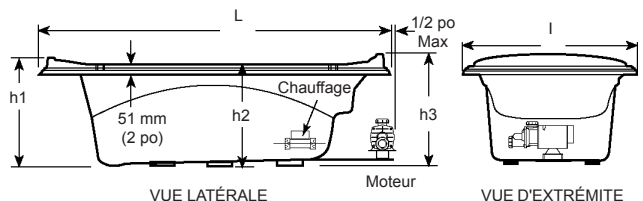
**Elara**



**Reál, RH**



**Sabella**



**Torretta 36**

## BAIGNOIRES RECTANGULAIRES

Les gallons opérants sont dans les gallons américains; les dimensions sont nominales avec une tolérance de +0 et 6,4 mm (1/4 po). Les unités montrées ici sont des unités du côté droit (D) seulement.

MODÈLE	DIMENSIONS	VIDANGE/TROP-PLEIN	DÉCOUPE	POIDS TOTAL/ CHARGE AU SOL	CONTENANCE MOYENNE	POIDS DU PRODUIT	JUPE ET MON- TANTS	CHAUFFAGE
Allusion™ 6636 D	1676 mm (66 po) L 914 mm (36 po) l 660 mm (26 po) h	441 mm (17-3/8 po) A 210 mm (11-15/16) B	Gabarit fourni, PN: BY20000	383 kg (843 lb)/ 248 kg/m <sup>2</sup> (51 lb/ft <sup>2</sup> )	208 Lt (55 gal) min, 284 Lt (75 gal) max	61 kg (135 lb)	Non disponible	Chauffage (230 V) installé d'usine, S749000
Allusion™ 7236 D	1829 mm (72 po) L 914 mm (36 po) l 660 mm (26 po) h	441 mm (17-3/8 po) A 210 mm (11-15/16 po) B	Gabarit fourni, PN: BY20000	489 kg (978 lb)/ 263 kg/m <sup>2</sup> (54 lb/ft <sup>2</sup> )	246 Lt (65 gal) min, 322 Lt (85 gal) max	66 kg (145 lb)	Non disponible	Chauffage (230 V) installé d'usine, S749000
Allusion™ 7242 RH	1829 mm (72 po) L 1067 mm (42 po) l 660 mm (26 po) h	441 mm (17-3/8 po) A 210 mm (11-15/16 po) B	Gabarit fourni, PN: BY20000	470 kg (1127 lb)/ 263 kg/m <sup>2</sup> (54 lb/ft <sup>2</sup> )	284 Lt (75 gal) min, 375 Lt (99 gal) max	77 kg (169 lb)	Non disponible	Chauffage (230 V) installé d'usine, S749000
Bellavista™ 5 D	1524 mm (60 po) L 1067 mm (42 po) l 660 mm (26 po) h	508 mm (20 po) A 298 mm (11-3/4 po) B	Gabarit fourni, PN: P187000	466 kg (1026 lb)/ 288 kg/m <sup>2</sup> (59 lb/ft <sup>2</sup> )	303 Lt (80 gal)	50 kg (110 lb)	Non disponible	Chauffage (230 V) installé d'usine, S749000
Bellavista™ 5.5 D	1676 mm (66 po) L 1067 mm (42 po) l 660 mm (26 po) h	508 mm (20 po) A 298 mm (11-3/4 po) B	Gabarit fourni, PN: P187000	490 kg (1078 lb)/ 273 kg/m <sup>2</sup> (56 lb/ft <sup>2</sup> )	322 Lt (85 gal)	56 kg (120 lb)	Non disponible	Chauffage (230 V) installé d'usine, S749000
Bellavista™ 6 D	1829 mm (72 po) L 1067 mm (42 po) l 660 mm (26 po) h	508 mm (20 po) A 298 mm (11-3/4 po) B	Gabarit fourni, PN: P187000	514 kg (1130 lb)/ 263 kg/m <sup>2</sup> (54 lb/ft <sup>2</sup> )	341 Lt (90 gal)	59 kg (130 lb)	Non disponible	Chauffage (230 V) installé d'usine, S749000
Ciprea™ D	1829 mm (72 po) L* 1219 mm (48 po) l 521 mm (20-1/2 po) h	413 mm (16-3/4 po) A 343 mm (13-1/2 po) B	NA	407 kg (895 lb)/ 180 kg/m <sup>2</sup> (37 lb/ft <sup>2</sup> )	216 Lt (57 gal)	77 kg (170 lb)	Intégrale	Chauffage (230 V) installé d'usine, S749000
Elara™ 6042 G et D	1524 mm (60 po) L 1067 mm (42 po) l 597 mm (23-1/2 po) h	470 mm (18.5 po) A 269 mm (10.6 po) B	1473 x 1016 mm (58 x 40"), Gabarit fourni, undermount, PN: DQ50000	512 kg (1126 lb)/ 319 kg/m <sup>2</sup> (65.4 lb/ft <sup>2</sup> )	314 Lt (83 gal) min, 348 Lt (92 gal) max	91 kg (200 lb)	Non disponible	Chauffage (230 V) installé d'usine, S749000
Elara™ 6636 G et D	1676 mm (66 po) L 914 mm (36 po) l 597 mm (23-1/2 po) h	470 mm (18.5 po) A 269 mm (10.6 po) B	1626 x 864 mm (64 x 34"), Gabarit fourni, undermount, PN: DQ51000	472 kg (1039 lb)/ 307 kg/m <sup>2</sup> (63 lb/ft <sup>2</sup> )	284 Lt (75 gal) min, 314 Lt (83 gal) max	91 kg (200 lb)	Non disponible	Chauffage (230 V) installé d'usine, S749000
Elara™ 7242 G et D	1829 mm (72 po) L 1067 mm (42 po) l 597 mm (23-1/2 po) h	470 mm (18.5 po) A 269 mm (10.6 po) B	1778 x 1016mm (70 x 40"), Gabarit fourni, undermount, PN: BZ5000	611 kg (1345 lb)/ 312 kg/m <sup>2</sup> (64 lb/ft <sup>2</sup> )	360 Lt (95 gal) min, 398 Lt (105 gal) max	98 kg (215 lb)	Non disponible	Chauffage (230 V) installé d'usine, S749000
Reál™ D	1829 mm (72 po) L* 1067 mm (42 po) l 584 mm (23 po) h	508 mm (20 po) A 356 mm (356 po) B	1778 x 1016 mm (70 x 40 inches)	514 kg (1130 lb)/ 263 kg/m <sup>2</sup> (54 lb/ft <sup>2</sup> )	341 Lt (90 gal)	59 kg (130 lb)	Non disponible	Chauffage (230 V) installé d'usine, S749000
Sabella™ D	1829 mm (72 po) L 1194 mm (47 po) l 584 mm (23-3/4 po) h	508 mm (20 po) A 356 mm (14 po) B	Gabarit fourni, PN: P187000	545 kg (1199 lb)/ 249 kg/m <sup>2</sup> (51 lb/ft <sup>2</sup> )	371 Lt (98 gal)	60 kg (133 lb)	Non disponible	Chauffage (230 V) installé d'usine, S749000
Torretta™ 36	1829 mm (72 po) L 892 mm (35-1/8 po) l 581 mm (22-7/8 po) h1 533 mm (21 po) h2 597 mm (23-1/2 po) h3	459 mm (18-3/16 po) A 381 mm (15 po) B	Gabarit fourni, PN: P652000	431 kg (948 lb)/ 263 kg/m <sup>2</sup> (54 lb/ft <sup>2</sup> )	265 Lt (70 gal)	52 kg (115 lb)	Non disponible	Chauffage (230 V) installé d'usine, S749000

\*Ajouter 6,4 mm (1/4 po) à cette dimension lors de l'installation de la plomberie brute pour une niche à 3 parois.

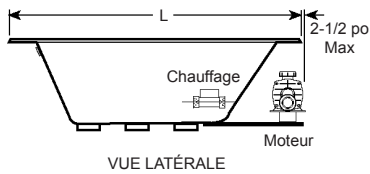
**POUR TOUTES LES UNITÉS:** Exigences électriques : Toutes les unités nécessitent un circuit séparé protégé par un disjoncteur de fuite à la terre dédié.

RapidHeat™ (en option) : Circuit séparé protégé par disjoncteur de fuite à la terre dédié de 120 V CA, 15 A, 60 Hz.

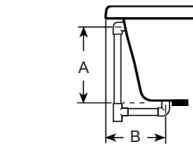
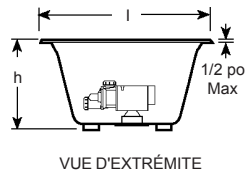
Moteur/pompe : Circuit séparé protégé par disjoncteur de fuite à la terre dédié de 120 V CA, 15 A, 60 Hz.

## BAIGNOIRES OVALES ET ROND

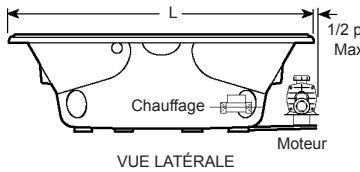
Les gallons opérants sont dans les gallons américains; les dimensions sont nominales avec une tolérance de +0 et 6,4 mm (1/4 po). Les unités montrées ici sont des unités du côté droit (D) seulement.



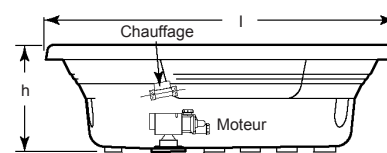
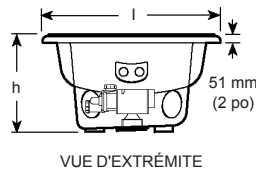
**Duetta™**



**Vidange/Trop-plein**



**Venicia™**



**Cortina™**

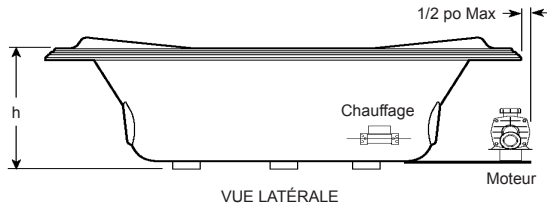
MODÈLE	DIMENSIONS	VIDANGE/TROP-PLEIN	DÉCOUPE	POIDS TOTAL/ CHARGE AU SOL	CONTENANCE MOYENNE	POIDS DU PRODUIT	JUPE ET MONTANTS	CHAUFFAGE
Cortina™ D	1829 mm (72 po) L 1829 mm (72 po) l 565 mm (22-1/4 po) h	426 mm (16-3/4 po) A 489 mm (19-1/4 po) B	1778 mm Diameter hole (70 po)	588 kg (1293 lb)/ 176 kg/ (m <sup>2</sup> 36 lb/ft <sup>2</sup> )	379 Lt (100 gal)	95 kg (210 lb)	Non disponible	Intall à l'usine, Renvoi (U394000 Chauffage)
Duetta™ 6042 D	1524 mm (60 po) L 1067 mm (42 po) l 660 mm (26 po) h	467 mm (18.4 po) A 279 mm (11 po) B	Template provided, PN: DA09000	454 kg (999 lb)/ 278 kg/m <sup>2</sup> (57.1 lb/ft <sup>2</sup> )	291 Lt (77 gal) min, 314 Lt (83 gal) max	50 kg (110 lb)	Non disponible	Installation en usine, Entrée (S749000 Chauffage)
Duetta™ 6636 D	1676 mm (66 po) L 914 mm (36 po) l 660 mm (26 po) h	467 mm (18.4 po) A 279 mm (11 po) B	Template provided, PN: DA08000	463 kg (1019 lb)/ 301 kg/m <sup>2</sup> (61.8 lb/ft <sup>2</sup> )	284 Lt (75 gal) min, 303 Lt (80 gal) max	82 kg (180 lb)	Non disponible	Installation en usine, Entrée (S749000 Chauffage)
Duetta™ 6642 D	1676 mm (66 po) L 1067 mm (42 po) l 660 mm (26 po) h	467 mm (18.4 po) A 279 mm (11 po) B	Template provided, PN: DA07000	503 kg (1106 lb)/ 280 kg/m <sup>2</sup> (57.5 lb/ft <sup>2</sup> )	341 Lt (90 gal) min, 360 Lt (95 gal) max	53 kg (117 lb)	Non disponible	Installation en usine, Entrée (S749000 Chauffage)
Duetta™ 7242 D	1829 mm (72 po) L 1067 mm (42 po) l 660 mm (26 po) h	467 mm (18.4 po) A 279 mm (11 po) B	Template provided, PN: DA06000	581 kg (1277 lb)/ 296 kg/m <sup>2</sup> (60.8 lb/ft <sup>2</sup> )	371 Lt (98 gal) min, 401 Lt (106 gal) max	59 kg (130 lb)	Non disponible	Installation en usine, Entrée (S749000 Chauffage)
Venicia™ D	1829 mm (72 po) L 1067 mm (42 po) l 584 mm (23 po) h	508 mm (20 po) A 356 mm (14 po) B	Template provided, PN: P187000	514 kg (1130 lb)/ 263 kg/m <sup>2</sup> (54 lb/ft <sup>2</sup> )	341 Lt (90 gal)	59 kg (130 lb)	Non disponible	Installation en usine, Entrée (S749000 Chauffage)

\*Ajouter 6,4 mm (1/4 po) à cette dimension lors de l'installation de la plomberie brute pour une niche à 3 parois.

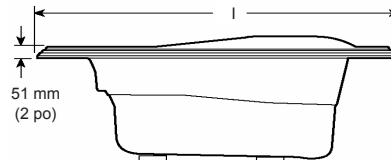
**POUR TOUTES LES UNITÉS:** Exigences électriques : Toutes les unités nécessitent un circuit séparé protégé par un disjoncteur de fuite à la terre dédié.  
 RapidHeat™ (en option) : Circuit séparé protégé par disjoncteur de fuite à la terre dédié de 120 V CA, 15 A, 60 Hz.  
 Moteur/pompe : Circuit séparé protégé par disjoncteur de fuite à la terre dédié de 120 V CA, 15 A, 60 Hz.

## BAIGNOIRES DE COIN

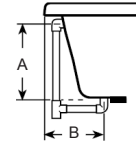
Les gallons opérants sont dans les gallons américains; les dimensions sont nominales avec une tolérance de +0 et 6,4 mm (1/4 po). Les unités montrées ici sont des unités du côté droit (D) seulement.



VUE LATÉRALE



VUE D'EXTRÉMITÉ



### Bellavista™ Corner, RH

### Vidange/Trop-plein

MODÈLE	DIMENSIONS	VIDANGE/TROP-PLEIN	DÉCOUPE	POIDS TOTAL/ CHARGE AU SOL	CONTENANCE MOYENNE	POIDS DU PRODUIT	JUPE ET MONTANTS	CHAUFFAGE
Bellavista™ Corner, D	60" (1524 mm) L 60" (1524 mm) l 21-3/4" (553 mm) h	18-7/8" (479 mm) A 14" (356 mm) B	Template provided, PN: P654000	1046 lb (475 kg)/ 42 lb/ft² (205 kg/m²)	80 gal (303 Lt)	130 lb (59 kg)	Not available	Factory installed intake (S749000 Heater)
<p>*Ajouter 6,4 mm (1/4 po) à cette dimension lors de l'installation de la plomberie brute pour une niche à 3 parois.</p> <p><b>POUR TOUTES LES UNITÉS:</b> Exigences électriques : Toutes les unités nécessitent un circuit séparé protégé par un disjoncteur de fuite à la terre dédié.</p> <p>RapidHeat™ (en option) : Circuit séparé protégé par disjoncteur de fuite à la terre dédié de 120 V CA, 15 A, 60 Hz.</p> <p>Moteur/pompe : Circuit séparé protégé par disjoncteur de fuite à la terre dédié de 120 V CA, 15 A, 60 Hz.</p>								

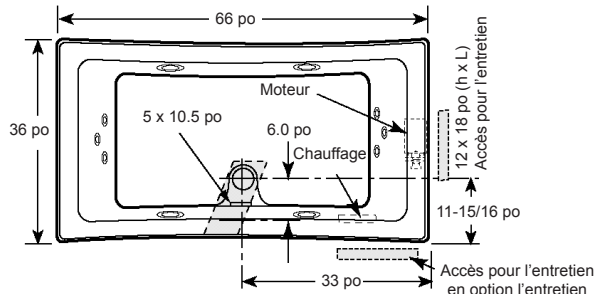
FRANÇAIS

# PLOMBERIE BRUTE

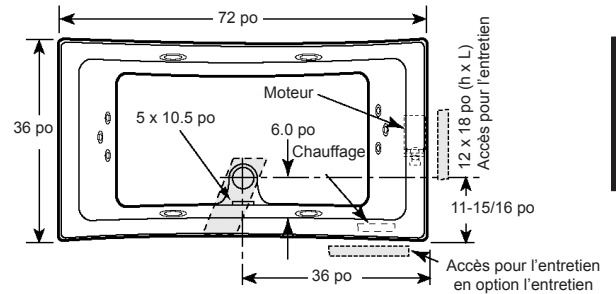
## BAIGNOIRES RECTANGULAIRES

Certaines baignoires sont fournies avec un gabarit de découpage ou un gabarit de montage par en dessous. Référez vous à la section Découpage de Spécifications pour connaître les numéros des pièces.

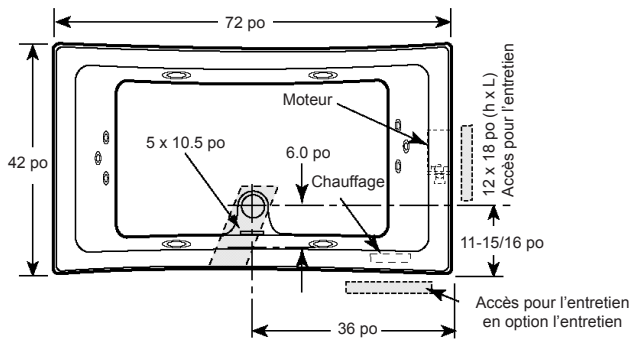
FRANÇAIS



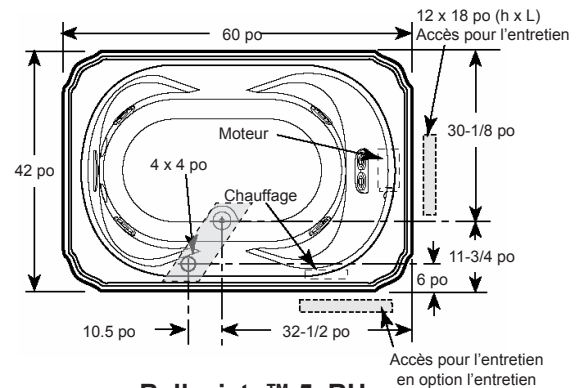
**Allusion™ 6636, RH**



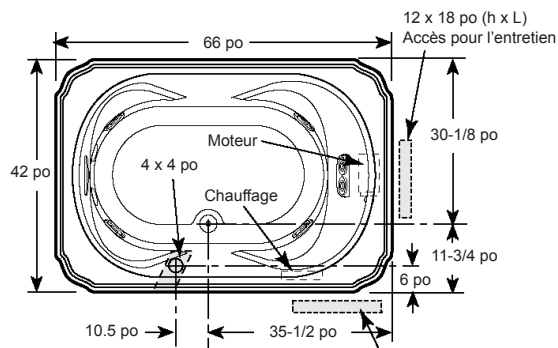
**Allusion™ 7236, RH**



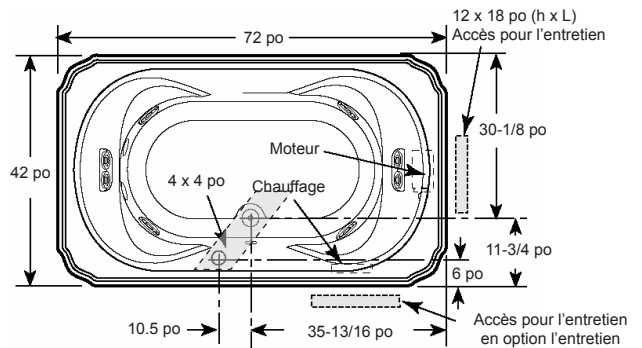
**Allusion™ 7242, RH**



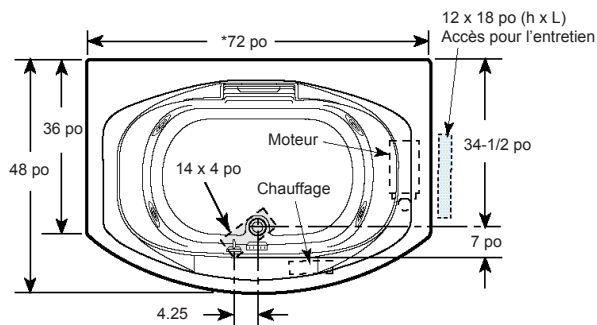
**Bellavista™ 5, RH**



**Bellavista™ 5.5, RH**



**Bellavista™ 6, RH**



**Ciprea®, RH**

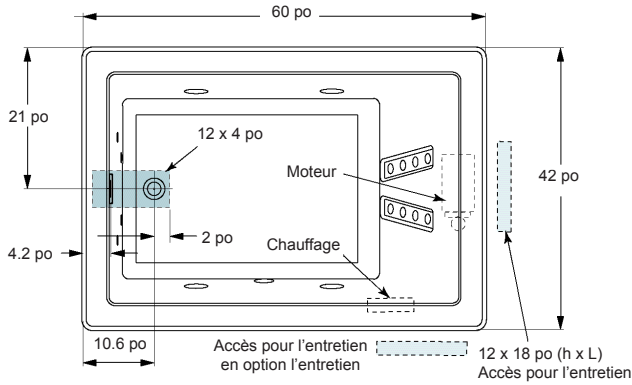
\*Ajouter 6.4 mm (1/4 po) à cette dimension lors de l'installation de la plomberie brute pour une niche à 3 parois.

### REMARQUE:

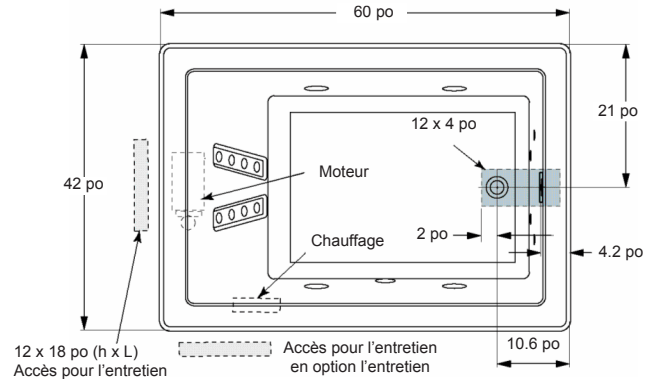
1. Les dimensions à l'intérieur de chaque unité représentent la découpe dans le plancher pour le système de vidange/trop-plein.
2. Toutes les dimensions sont en pouces. Pour convertir en millimètres, multiplier les pouces par 25,4.
3. Les dimensions données pour les accès pour l'entretien représentent la dimension minimum.
4. Les dimensions sont nominales avec une tolérance de +0 et 6,4 mm (1/4 po).

## BAIGNOIRES RECTANGULAIRES

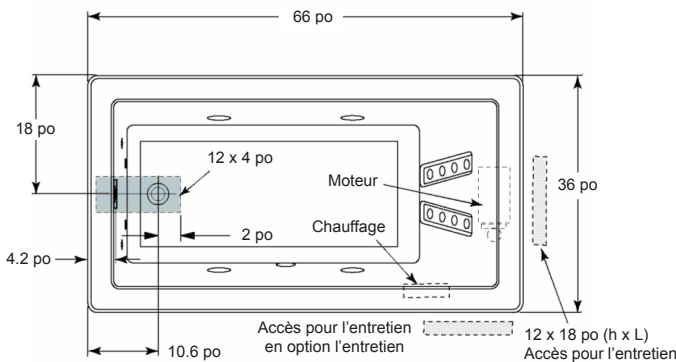
Certaines baignoires sont fournies avec un gabarit de découpage ou un gabarit de montage par en dessous. Référez vous à la section Découpage de Spécifications pour connaître les numéros des pièces.



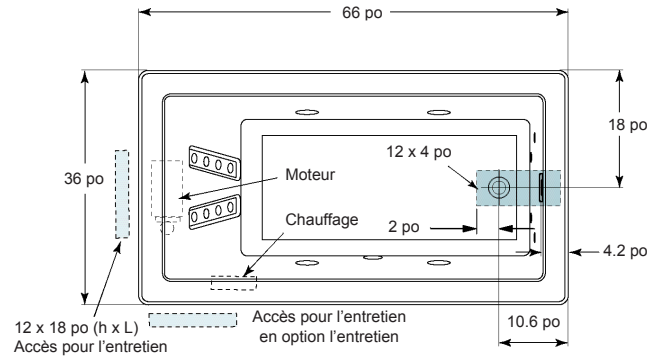
**Elara™ 6042, LH**



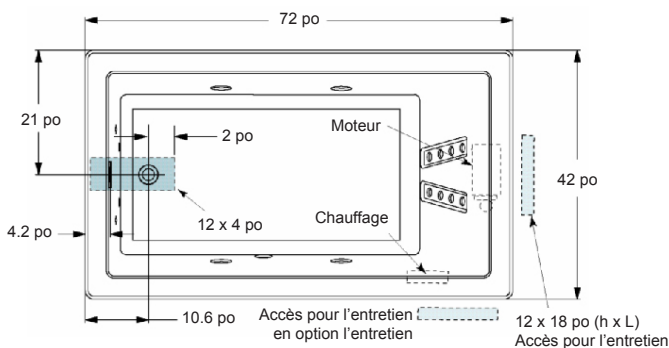
**Elara™ 6042, RH**



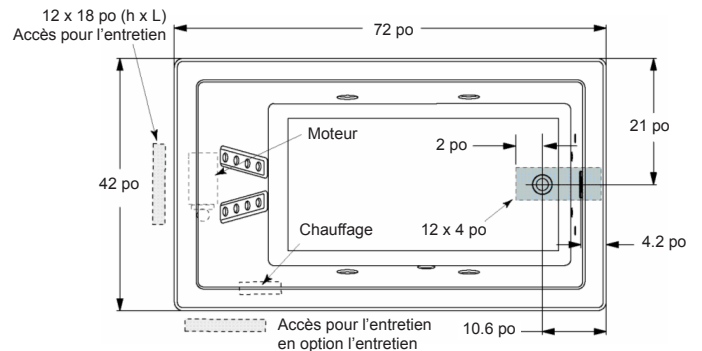
**Elara™ 6636, RH**



**Elara™ 6636, LH**



**Elara™ 7242, RH**



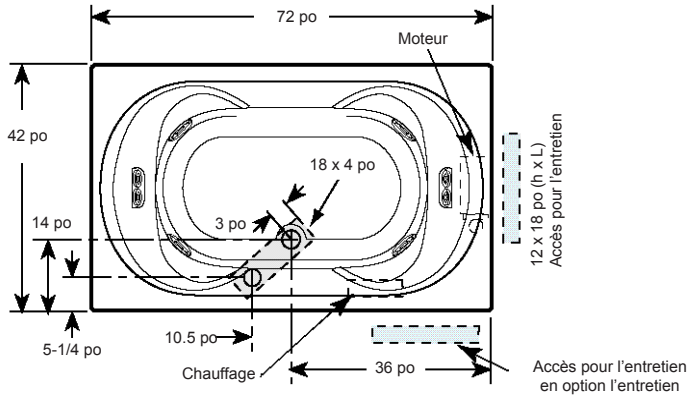
**Elara™ 7242, LH**

\*Ajouter 6,4 mm (1/4 po) à cette dimension lors de l'installation de la plomberie brute pour une niche à 3 parois.

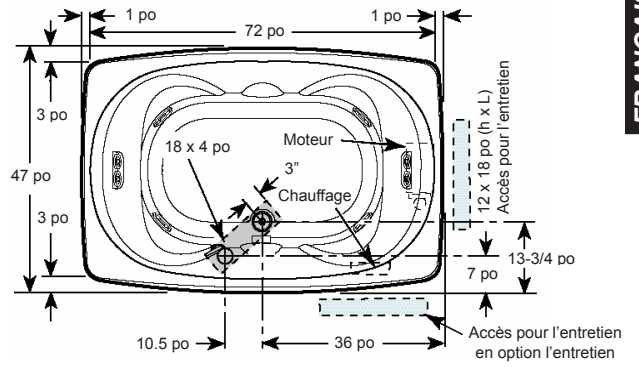
- REMARQUE: 1. Les dimensions à l'intérieur de chaque unité représentent la découpe dans le plancher pour le système de vidange/trop-plein.  
 2. Toutes les dimensions sont en pouces. Pour convertir en millimètres, multiplier les pouces par 25,4.  
 3. Les dimensions données pour les accès pour l'entretien représentent la dimension minimum.  
 4. Les dimensions sont nominales avec une tolérance de +0 et 6,4 mm (1/4 po).



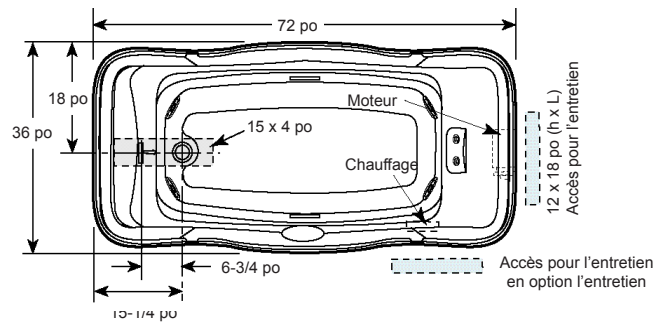
Certaines baignoires sont fournies avec un gabarit de découpage ou un gabarit de montage par en dessous. Référez vous à la section Découpage de Spécifications pour connaître les numéros des pièces.



Reál™, RH



Sabella™, RH



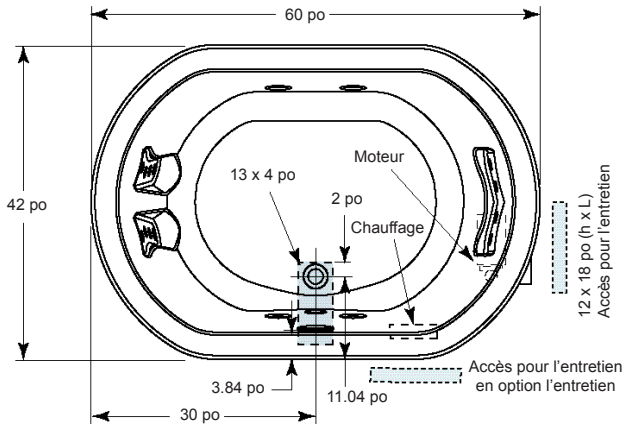
Torretta™ 36, LH

\*Ajouter 6,4 mm (1/4 po) à cette dimension lors de l'installation de la plomberie brute pour une niche à 3 parois.

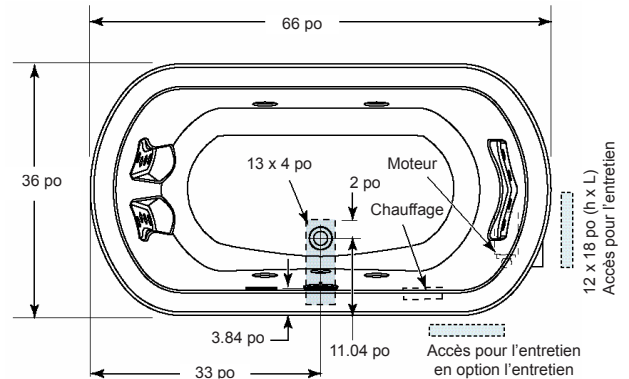
- REMARQUE:
1. Les dimensions à l'intérieur de chaque unité représentent la découpe dans le plancher pour le système de vidange/trop-plein.
  2. Toutes les dimensions sont en pouces. Pour convertir en millimètres, multiplier les pouces par 25,4.
  3. Les dimensions données pour les accès pour l'entretien représentent la dimension minimum.
  4. Les dimensions sont nominales avec une tolérance de +0 et 6,4 mm (1/4 po).

## BAIGNOIRES OVALES

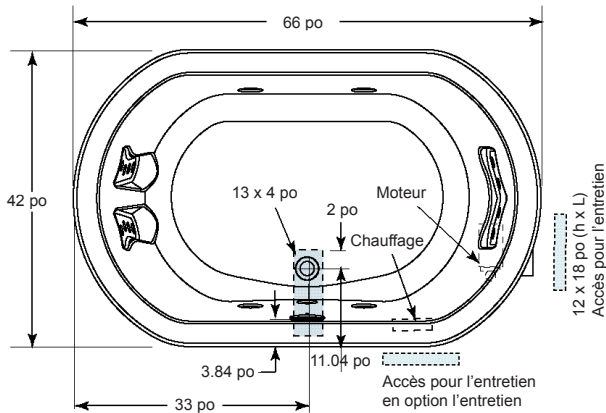
Certaines baignoires sont fournies avec un gabarit de découpage ou un gabarit de montage par en dessous. Référez vous à la section Découpage de Spécifications pour connaître les numéros des pièces.



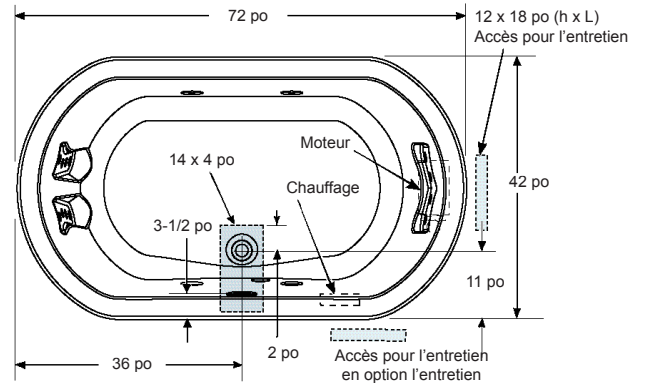
**Duetta 6042**



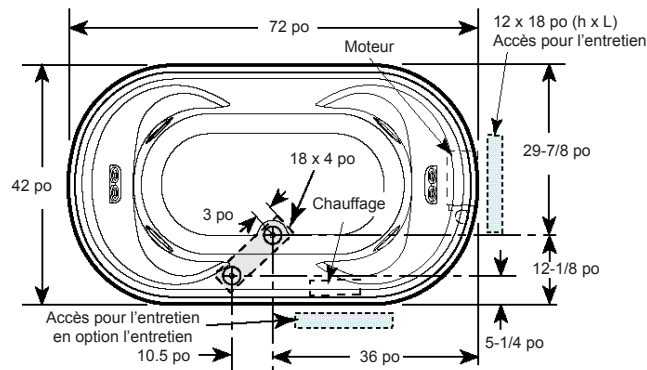
**Duetta 6636**



**Duetta 6642**



**Duetta 7242**



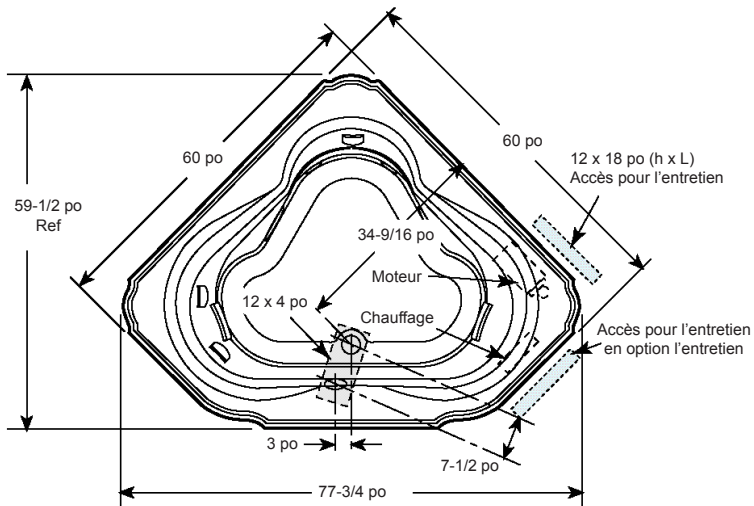
**Venicia™, RH**

\*Ajouter 6,4 mm (1/4 po) à cette dimension lors de l'installation de la plomberie brute pour une niche à 3 parois.

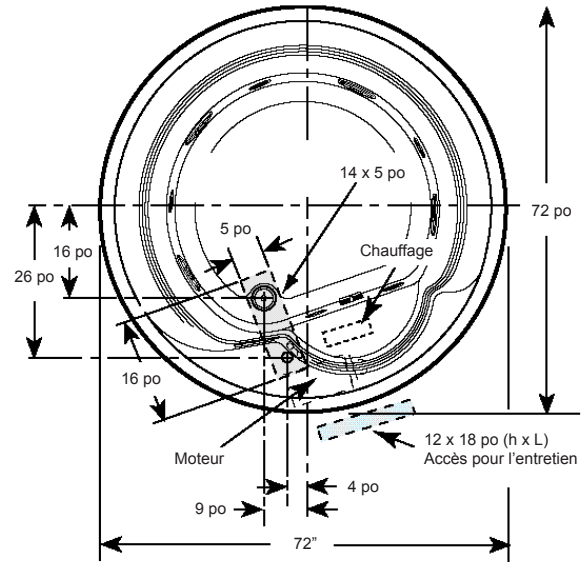
- REMARQUE:
1. Les dimensions à l'intérieur de chaque unité représentent la découpe dans le plancher pour le système de vidange/trop-plein.
  2. Toutes les dimensions sont en pouces. Pour convertir en millimètres, multiplier les pouces par 25,4.
  3. Les dimensions données pour les accès pour l'entretien représentent la dimension minimum.
  4. Les dimensions sont nominales avec une tolérance de +0 et 6,4 mm (1/4 po).

## BAIGNOIRES DE COIN ET DE OVALADOS

Certaines baignoires sont fournies avec un gabarit de découpage ou un gabarit de montage par en dessous. Référez vous à la section Découpage de Spécifications pour connaître les numéros des pièces.



**Bellavista™ Corner, RH**



**Cortina™, RH**

\*Ajouter 6,4 mm (1/4 po) à cette dimension lors de l'installation de la plomberie brute pour une niche à 3 parois.

- REMARQUE:
1. Les dimensions à l'intérieur de chaque unité représentent la découpe dans le plancher pour le système de vidange/trop-plein.
  2. Toutes les dimensions sont en pouces. Pour convertir en millimètres, multiplier les pouces par 25,4.
  3. Les dimensions données pour les accès pour l'entretien représentent la dimension minimum.
  4. Les dimensions sont nominales avec une tolérance de +0 et 6,4 mm (1/4 po).

# INSTALLATION

## ARMATURE ET SUPPORT

Le système de vidange/trop-plein de la baignoire dépasse en dessous du bas de la baignoire. Noter que ceci nécessite une découpe dans le plancher.

La structure du plancher sous la baignoire doit pouvoir supporter le poids total de la baignoire, de l'eau et de l'utilisateur. Consulter le tableau concernant le modèle en question dans la section concernant le poids total. L'unité doit être supportée au niveau du fond de la baignoire et non pas par le bord de la baignoire ou par la bride de carrelage. Si le sous-plancher est plat et horizontal, et est une surface continue, aucune autre préparation n'est nécessaire. L'installation de la baignoire peut commencer. Si le sous-plancher n'est pas plat et horizontal, la surface entière DOIT être mise à niveau avant l'installation de la baignoire. L'utilisation de matériaux fournissant une installation parfaitement horizontale est permise lorsque la méthode utilisée permet de garantir une baignoire bien horizontale soutenue pas le bas. Les matériaux permis pour la mise à niveau du sol sont le mortier, le plâtre ou la mousse structurée à expansion minimale d'une densité minimum de 80 kg/m<sup>3</sup> (5 lb/pi<sup>3</sup>); la baignoire doit cependant rester bien horizontale

pour permettre une bonne vidange et tous les pieds de mousse doivent entièrement entrer en contact avec le matériau de mise à niveau. Lors de la fixation de la baignoire avec des brides sur la cloison à montant, utiliser des cales pour remplir tout espace entre la bride de la baignoire et les pores.

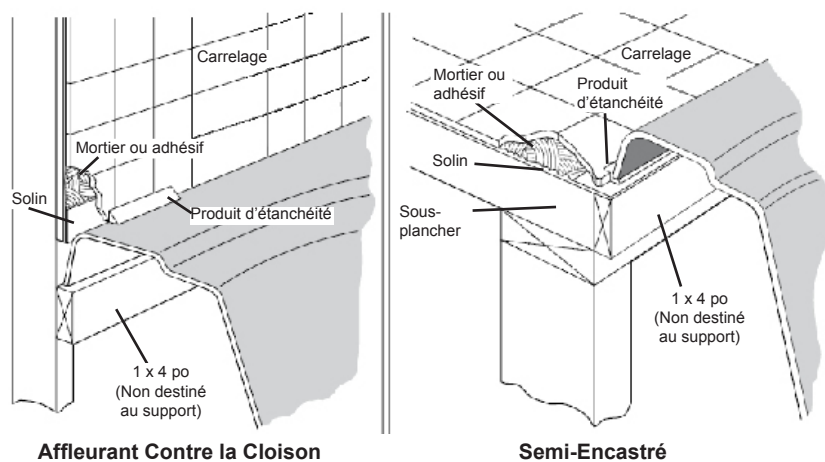
Le bord de la baignoire n'est pas conçu pour soutenir un poids. Si le matériau de finition doit chevaucher ou entrer en contact avec la baignoire, le poids supplémentaire doit être entièrement autoportant.

Le revêtement/film de protection dans la baignoire est destiné à éviter les dommages au fini durant l'installation. Avant l'installation, retirer le revêtement pour détecter tout défaut éventuel, puis le réappliquer et ne pas le retirer avant le nettoyage final.

**IMPORTANT:** Si une jupe doit être utilisée, il doit être installé au moment de l'installation d'unité, faire allusion aux instructions d'Installation de Jupe. Installez des parties soignées optionnelles quand toute l'installation a été accomplie.

FRANÇAIS

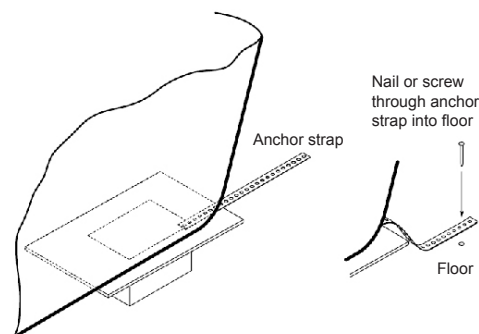
## INSTALLATIONS STANDARD



## BANDES D'ANCRAGE

### BANDES D'ANCRAGE

Passez les cuves sont équipées avec les courroies en métal d'ancrage. Ceux-ci peuvent être ancrés à l'étage pour réduire le mouvement pendant le temps de cure de tuile. Si le mortier ou la matière d'ancrage semblable sont utilisés, ces courroies ne sont pas nécessaires.

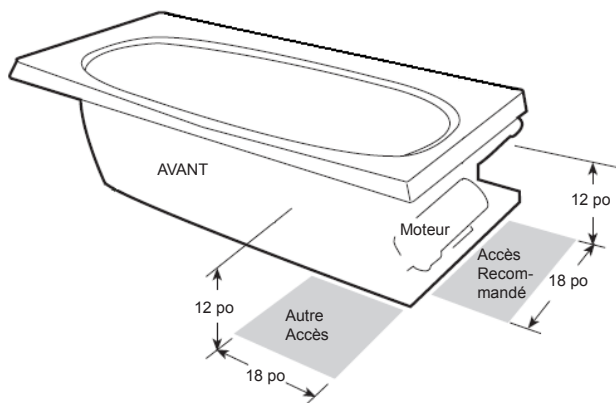


## ACCÈS POUR L'ENTRETIEN

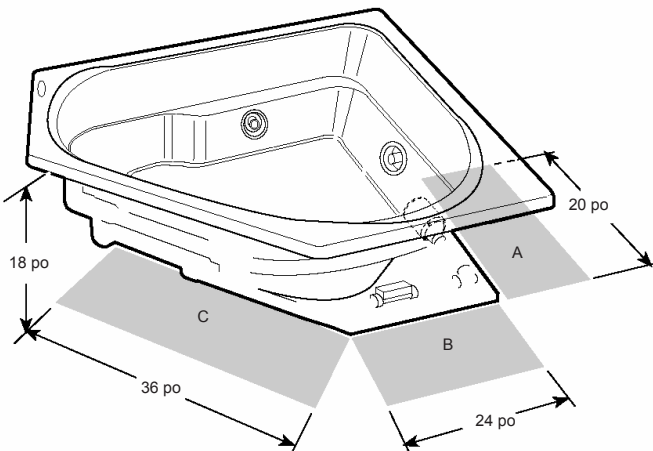
Pour des installations partiellement ou entièrement encastrées, prévoir un accès pour les branchements. Il relève de la responsabilité de l'installateur de fournir un accès suffisant pour l'entretien. Les dimensions minimum recommandées permettant de faire l'entretien de la baignoire sont indiquées sans le schéma « Accès pour l'entretien » ci-dessous.

Assurez une aération appropriée pour le refroidissement et pour qu'il y ait assez d'air au ventilateur. De plus, assurez un espace approprié autour de l'appareil pour la circulation d'air afin de refroidir le moteur et de fournir assez d'air pour les jets. N'isolez pas cet espace ou l'espace autour du ventilateur ou du moteur.

### ACCÈS POUR L'ENTRETIEN (Bain Rectangulaire)

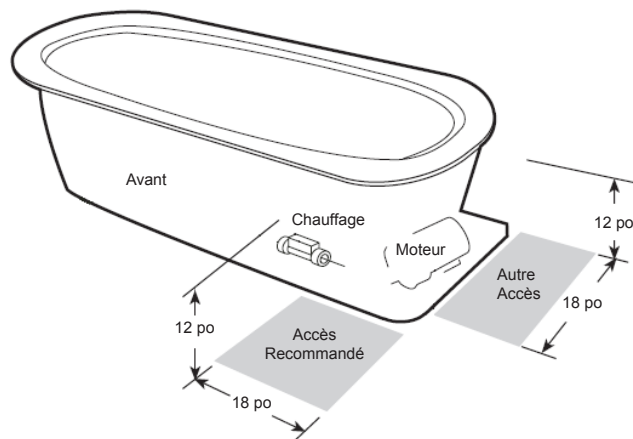


### ACCÈS POUR L'ENTRETIEN (Bain de Coin)



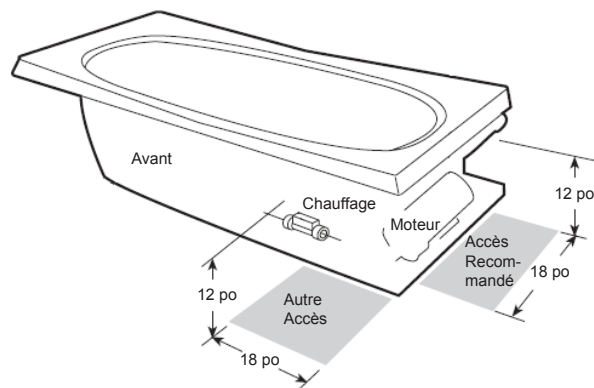
Les bains Duetta Whirlpool devraient être accédés comme montré ci-dessous.

### DUETTA SERVICE ACCESS (Without Skirt)



Les bains Allusion Whirlpool devraient être accédés comme montré ci-dessous.

### ALLUSION SERVICE ACCESS



Dans certains cas, l'approche ne peut pas avoir été fournie à cause du design de l'environnement de bain et du fait d'avoir la compréhension complète que dans ce cas-là, il peut être nécessaire d'enlever l'unité pour le service.

Si c'est le cas, en diagnostiquant un problème peut ne pas être possible sans approche complète au système de plomberie. Cela nécessiterait l'enlèvement de l'unité. Bien que cette pratique ne soit pas communément exécutée, c'est une méthode acceptable.

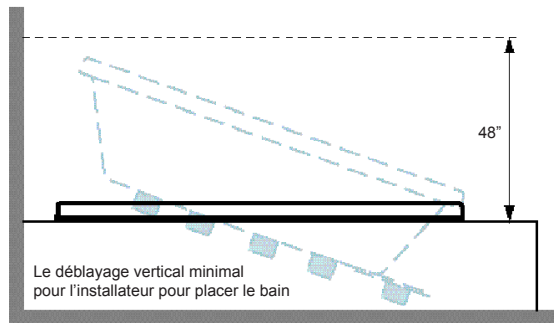
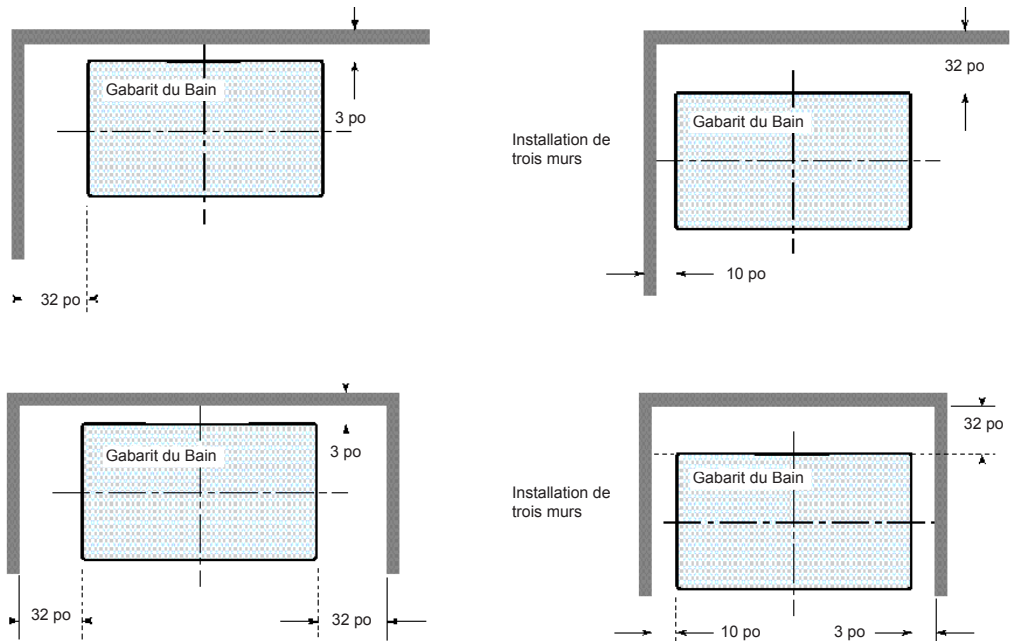
**NOTEZ:** Dans certains cas, l'approche pour l'Approche Favorisée peut avoir été fournie; si le service est exigé dans l'Approche Alternante, l'unité sera tirée pour le service et réinstallée.

Si l'approche de service n'a pas été fournie, c'est la responsabilité du propriétaire d'enlever le bain et fournir l'approche voulue, doit une réparation devenir nécessaire.

**Recommandations de Déblayage**

**RECOMMANDATIONS DE DÉBLAYAGE**

Les recommandations de déblayage d'installation doivent ci-dessous garantir que les installateurs ont assez d'espace pour manoeuvrer et insérer la cuve. Les cuves de tourbillon de ligne de Créateur/Luxe ont électrique, la plomberie et les systèmes prenants installés. Ne soulevez pas le bain par la plomberie ou télégraphiant d'un moment à l'autre; la poignée par la coquille seulement.



**Installation d'Unité**

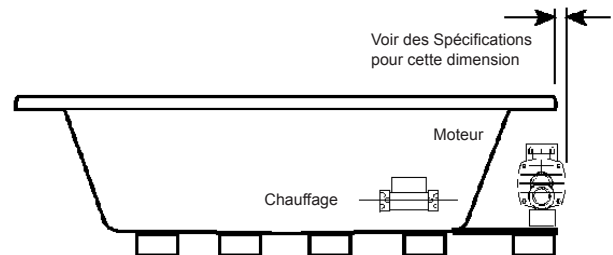
Notez que le moteur/pompe dépasse au-delà du bord de bain une distance maximum de 25.4 mm (1 po). Le soin devrait être utilisé en baissant la baignoire dans le découpé pour prévenir la blessure à l'installateur (s), les surfaces finies, ou la cuve et les composantes.

Le déblayage autour du bain doit être fourni aux installateurs, voir des Recommandations de Déblayage. Le dommage pour pilonner, la plomberie, l'installation électrique, l'éclairage et d'autres composantes à cause de l'échec d'observer les déblayages minimaux n'est pas la responsabilité de Jacuzzi® Whirlpool Bath.

Tout le travail de fin de pont doit être accompli avant l'installation. Utilisez le gabarit découpé fourni. La surface de l'étage thr à l'intérieur de la silhouette à la hauteur de pont ne doit pas excéder la spécification de hauteur pour la cuve.

Couvrez toutes les surfaces finies pour protéger du dommage pendant l'installation de cuve.

Éteignez l'alimentation électrique aux circuits protégés de GFCI dévoué.

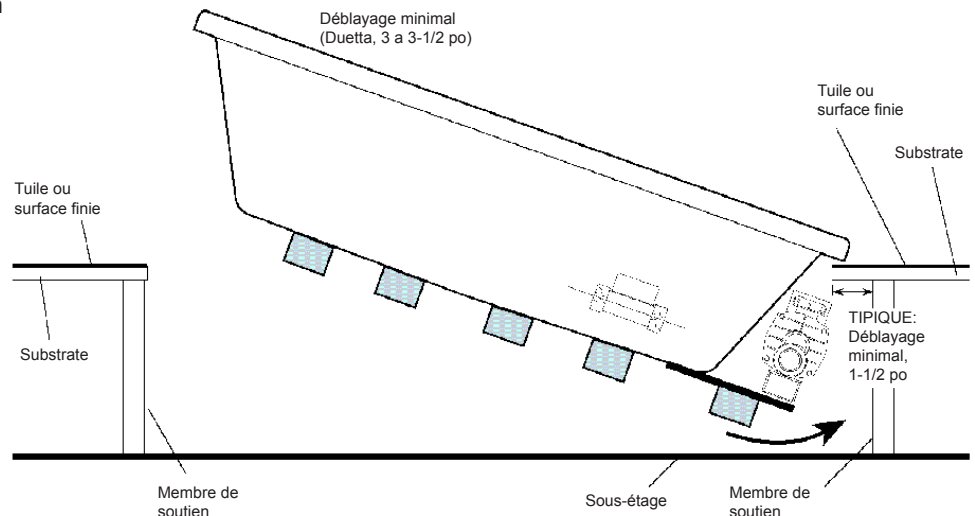
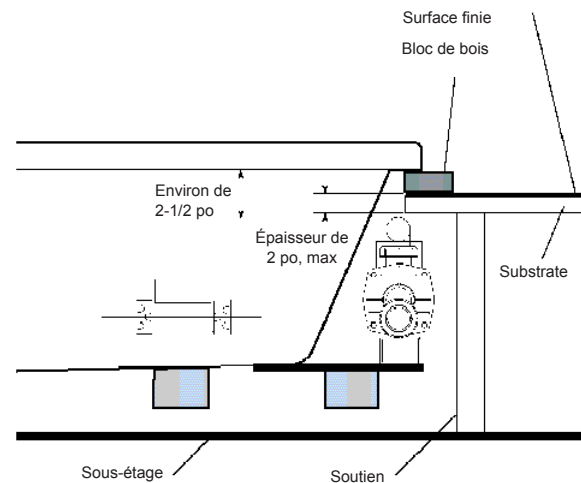
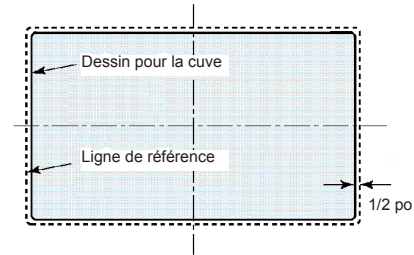


## COMMENCEZ L'INSTALLATION

1. Sur option, utilisez un marqueur lavable au scribe une ligne de référence 1" (25,4 millimètres) à l'extérieur du bord découpé sur la surface de pont. Cela peut aider à l'alignement final de la cuve.

**MISE EN GARDE:** Installez n'importe quels kits soignés, robinets, ou d'autres composants de cuve avant le fait d'installer.

2. Installer l'unité insèrent la fin de moteur/pompe d'abord en baissant la cuve dans la silhouette ouvrant comme montré en illustration de fond. N'utilisez pas d'installations de plomberie ou de lignes de plomberie pour baisser l'unité. Le déblayage sous le substrate est exigé pour les exigences de circulation d'écoulement d'air.
3. Placer un morceau de bois de construction de petit morceau sous chaque coin comme un soutien temporaire en faveur du bord de cuve. Inspectez tous les essayages, la plomberie et contrôlez des lignes après le fait d'insérer pour assurer des composantes ne sont pas nuis, débranchés, ou le contactant de la surface de fin substrate ou soutiennent des membres.
4. Communiquer plient des lignes d'approvisionnement en eau au robinet.
5. Cordes de pouvoir de prise de courant dans l'issue GFCI.
6. Enlever des doigts, des mains et tous les autres articles du bord de bord avant le fait de baisser la cuve. Soulevez légèrement une fin de cuve et enlevez le bois de construction de petit morceau. Baissez doucement le bord de cuve jusqu'à ce qu'il contacte la surface de pont. Soulevez légèrement la fin de cuve restante et enlevez le bois de construction de petit morceau. Baissez doucement le bord de cuve jusqu'à ce qu'il contacte la surface de pont.
7. Raccorder la ligne de canalisation.
8. Allumer l'alimentation électrique aux circuits protégés de GFCI dévoué..
9. Vérifier pour les fuites et l'opération chèque..



## CONNEXIONS ÉLECTRIQUES

Les circuits séparés, chacun doit être protégé par un Interrupteur de Circuit de Faute de Terre (GFCI), sont exigés pour la pompe/moteur et le RapidHeat™ le Chauffage. Faites allusion à la spécification électrique pour chaque modèle, voir des Spécifications. Installez des issues duplex au studwall au-dessous de la baignoire, au moins 102 mm (4 po) au-dessus de l'étage ou conformément au bâtiment local ou aux codes électriques. Les issues duplex ne sont pas fournies. Parce que ces unités sont fabriquées avec un pupitre de commande électronique, aucun changement lointain ou compte-minutes ne sont nécessaires.

Les cuves avec les pupitres de commande électroniques combinent les exigences électriques de la pompe/moteur et des commandes électroniques dans une boîte de contrôle. Pour ces unités la corde d'alimentation électrique de la pompe/moteur court à la boîte de contrôle. La corde d'alimentation électrique de la boîte de contrôle devrait être raccordée au 20 A le circuit de GFCI.

Avant le fait d'installer des connexions électriques, inspectez la pompe/moteur et les plaques de chauffage et confirmez que vous avez 120 VAC, 20 et 15 A exigences de service. Les circuits GFCI doivent correspondre à ces exigences. Le soin doit être pris pour raccorder la pompe/moteur d' 20 A ou la corde de pouvoir de boîte de contrôle seulement au 20

A le circuit de GFCI, et raccorder la 15 corde de pouvoir de chauffage seulement au 15 A le circuit de GFCI. N'échangez pas de cordes de pouvoir et de circuits GFCI.

Avec No. 8 du fil couleur cuivre solide, l'obligation le chauffage à la maison le comité électrique ou l'obligation locale approuvée. Un bonding traîne est fourni sur le chauffage. Avec un autre No. 8 du fil couleur cuivre solide, l'obligation la pompe/moteur à la maison le comité électrique ou l'obligation locale approuvée. Un traîne de l'obligation est fourni sur la pompe/moteur.

Au démarrage initial et avant chaque utilisation par la suite avec le pouvoir SUR, poussez le bouton d'épreuve de GFCI sur chaque circuit. Le bouton de réinitialisation devrait sortir. Poussez ce bouton dans à la réinitialisation. Si l'interrupteur manque d'opérer dans cette manière, il y a le fait de couler de courant de terre ou un mauvais fonctionnement d'artifice, en indiquant la possibilité de choc électrique. Éteignez le pouvoir et n'utilisez pas le bain jusqu'à ce que la source du problème ait été identifiée et corrigée.

**DANGER:** Risque de décharge électrique. Communiquez seulement à un circuit protégé par un GFCI.

**MISE EN GARDE:** Le fait de faire marcher la pompe sans assez d'eau dans le bain peut provoquer le dommage fuyant et permanent à la pompe. Avant que le pouvoir est appliqué à

## INTERCONNEXION DE BAIN LUXURY WHIRLPOOL

L'interconnexion de l'équipement est montrée dans la figure suivante. Il montre la seule manière acceptable dans laquelle les composants de système peuvent être raccordés pour l'opération efficace et sûre. Si l'équipement n'est pas configuré comme montré dans la figure, l'équipement peut ne pas opérer ou il peut s'ensuivre dans le dommage à l'équipement.



### LÉGENDE

- A. Assemblage de valve de contrôle aérien
- B. Module de Contrôle de Système
- C. Générateur d'Ozone, Eau
- D. Le moteur de pompe, deux vitesse, 115 VAC
- E. Boîte de distribution de pouvoir pour le moteur de pompe et l'ozone
- F. La prise de courant d'alimentation électrique, 115 VAC, 20 A
- G. Pupitre de commande, Sept boutons
- H. Lumière de Chromatherapy



l'installation, assurez-vous que le changement est dans la position pour éviter le dommage de pompe.

## PLOMBERIE ET ARRIVÉE D'EAU

Les détails pour les informations de canalisation, la plomberie et l'approvisionnement en eau sont fournis ci-dessous.

### Informations Concernant la Vidange

Le système de vidange/trop-plein (vendu séparément) doit être installé sur la baignoire et connecté au système sanitaire du bâtiment. À l'ouverture du kit, inspecter le produit pour vérifier qu'il n'est pas endommagé et que le fini est adéquat. Dans le kit de vidange/trop-plein, noter que la bride de vidange, le plongeur, le couvercle de trop-plein et les vis du couvercle sont emballés séparément dans le kit pour protéger le fini de la garniture. Suivre les instructions d'installation fournies dans le kit de vidange-trop-plein. Une fois le système de vidange entièrement installé, le tester pour vérifier qu'il fonctionne bien. Si l'unité ne se vidange pas correctement, corriger le problème avant de continuer l'installation. Jacuzzi® Whirlpool Bath n'est pas responsable des coûts de retrait ou de réinstallation.

**REMARQUE:** L'installation étanche du système de vidange relève de la responsabilité de l'installateur. Les fuites du système de vidange sont exclues de la garantie offerte par Jacuzzi® Whirlpool Bath pour le produit.

### Plomberie

La pompe, les jets et les raccords d'aspiration du système à remous sont raccordés en usine avec des tuyaux en PVC de schedule 40.

Tous les produits Jacuzzi® Whirlpool Bath sont testés en usine pour vérifier leur bon fonctionnement et l'étanchéité des connexions avant l'expédition. Si des fuites sont détectées, avertir le distributeur Jacuzzi® Whirlpool Bath. Ne pas installer l'unité.

### Arrivée d'Eau

Consulter les autorités locales pour obtenir les exigences du code de plomberie en vigueur.

**IMPORTANT:** Il relève de la responsabilité de l'installateur d'effectuer une installation adéquate de la plomberie du bec de remplissage et de respecter la conformité aux codes locaux. Jacuzzi® Whirlpool Bath ne garantit pas les connexions des raccords et de la tuyauterie d'arrivée d'eau, les systèmes de remplissage ou de vidange/trop-plein. La société n'est également pas responsable des dommages à la baignoire ayant lieu durant l'installation.

**MISE EN GARDE:** Une barrière de protection non

inflammable doit être placée entre les travaux de soudure et la baignoire pour éviter les dommages à la baignoire.

## INFORMATIONS DE DOUCHE

À cause du design de contour unique de quelques baignoires, une porte de douche rigide ne peut pas sans hésiter être installée. Si une douche est désirée, nous recommandons à une douche de reportage à être installée dans la conjonction avec un rideau de douche, comme cela permettra à l'utilisateur de contrôler la direction du spray.

**NOTEZ:** l'installation nécessaire d'une douche est la responsabilité de l'installateur. Le Jacuzzi® Whirlpool le Bain n'est pas responsable du dommage à l'unité ou du dommage d'eau qui pourrait se produire en raison de son installation.

### SOUPAPE ANTI-SIPHONNEMENT (En Option)

Installation de la soupape anti siphonnement optionnelle. La soupape anti siphonnement n'est pas fournie avec la baignoire. Vérifiez les exigences du Code de plomberie de votre région pour connaître la hauteur maximale au dessus du bord de la baignoire.

## NETTOYAGE APRÈS L'INSTALLATION

Les en acrylique finissent donnera la beauté résistante quand correctement maintenu. Pour éviter dulling et la suppression de la fin, n'utilisez jamais des appareils de nettoyage abrasifs ou des produits chimiques durs. Un détergent liquide léger et une eau chaude nettoieront des surfaces salies.

Enlevez le plâtre déversé avec un bord de bois ou de plastique. Les instruments en métal supprimeront la surface. Les taches quittées par le plâtre ou le coulis de ciment peuvent être enlevées si légèrement frotté avec un détergent léger et un tissu humide ou une éponge.

Les égratignures mineures qui ne pénètrent pas la fin en couleur peuvent être enlevées par légèrement travaillez la surface avec un papier de verre de 600 sables, sec-mouillé. Restituer la fin brillante, utilisation une enceinte spéciale comme le Meguiar's No. 10 Mirror Glaze sous verre. Si ce n'est pas disponible, utilisez une enceinte de frottement automotrice suivie par une application de cire de colle automotrice.

Les égratignures importantes et les gouges qui pénètrent la surface en acrylique peuvent exiger le refinissage.

Demandez à votre commerçant Jacuzzi des instructions spéciales, ou visitez notre site Internet à:

<http://www.jacuzzi.com>

Pour trouver une liste des techniciens d'entretien pour:

Réparations électriques ou mécaniques, visitez:

<http://jacuzzi.com/pdf/ASA.PDF>

Réparations sur la finition, les surfaces ou la coque, visitez: <http://jacuzzi.com/pdf/AFC.PDF>

Pièces détachées ou accessoires:

# FONCTIONNEMENT

visitez <http://jacuzzi.com/pdf/MPD.PDF>

**REMARQUE:** Ces consignes concernent tous les produits pour baignoire fabriqués par Jacuzzi® Whirlpool Bath. Les caractéristiques mentionnées dans cette brochure ne s'appliquent pas à toutes les baignoires.

Toutes les baignoires fabriquées par Jacuzzi® Whirlpool Bath sont conçues pour être remplies et vidées, ce qui signifie que la baignoire doit être vidée après chaque utilisation et remplie avec de l'eau fraîche par le prochain utilisateur. Ceci est une mesure d'hygiène, car ces baignoires ne sont pas conçues pour contenir de l'eau en continu, à l'inverse des piscines et des Jacuzzi®. Si une unité conçue pour contenir de l'eau de façon continue est souhaitée, voir le distributeur Jacuzzi® Whirlpool Bath pour obtenir la gamme complète des spas à remous disponibles.

## NIVEAU DE L'EAU

Boucher la baignoire et la remplir d'eau jusqu'à au moins 25 à 51 mm (1 à 2 po) au-dessus du jet le plus haut (voir la ligne d'eau indiquée sur le schéma).

**MISE EN GARDE:** N'allumez pas le système de tourbillon d'un moment à l'autre si les jets ne sont pas complètement plongés dans l'eau. Ne plongez pas le pupitre de commande en trop remplissant le bain. La course à pied du système de tourbillon quand il y a de l'eau insuffisante dans le bain pourrait s'ensuivre dans l'eau arrosant à l'extérieur de la région de bain.

**IMPORTANT:** Lorsque vous sortez du bain, le niveau d'eau descendra sous les jets, ce qui fera peut être jaillir de l'eau hors de l'appareil. Pour éviter ce problème, vous devez fermer l'appareil avant de sortir de la baignoire.

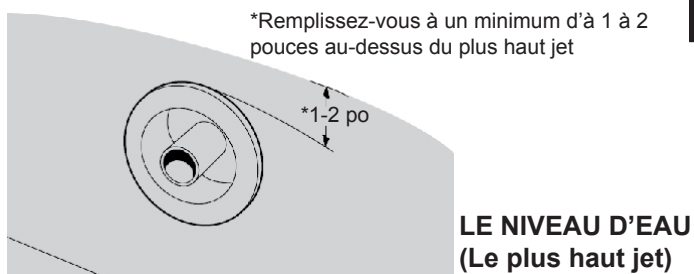
## CONTRÔLE DE L'ACTION DE TOURBILLON

L'action de tourbillon dans votre bain, contrôlé manuellement et électroniquement, est sous l'influence de trois facteurs : la Direction d'écoulement, la force d'eau et de force d'air. Chaque bain fabriqué par le Jacuzzi® Whirlpool le Bain qui est équipé avec PowerPro® complètement ajustable les jets, est manuellement ajustable pour la direction et la force d'eau. Quelques bains ont des jets supplémentaires qui peuvent être réglés pour la direction seulement. Les bains équipés avec 2 moteurs de vitesse et commandes électroniques peuvent aussi influencer la force d'eau et la force d'air.

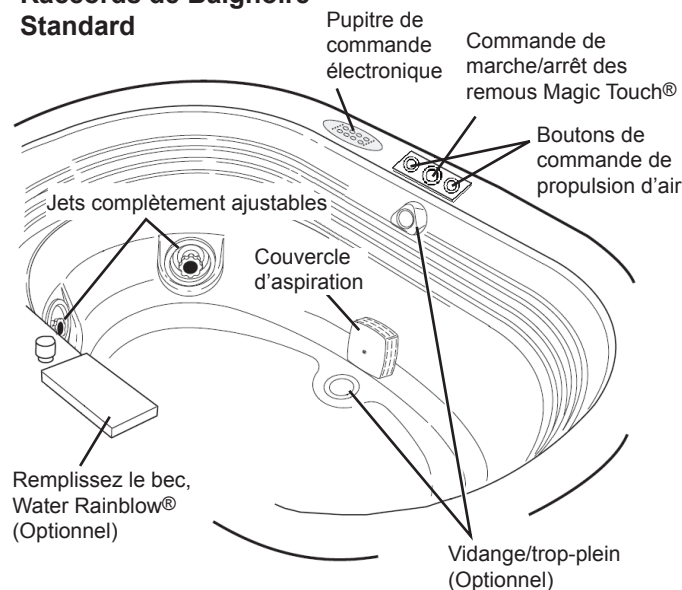
**DIRECTION:** Pour changer la direction de l'écoulement d'eau, faites pivoter l'ajutage en jais à l'angle désiré. Les jets peuvent être ordonnés individuellement vers n'importe quel endroit sur votre corps de fournir un hydromassage. Les jets peuvent aussi être réglés pour qu'ils tous montent dans la même direction (dans le sens des aiguilles d'une montre ou en sens inverse des aiguilles d'une montre) pour faire circuler de l'eau dans un mouvement circulaire autour du bain, en provoquant un effet de tourbillon total.

**FORCE D'EAU:** Le haut volume, PowerPro® complètement ajustable les jets peut être manuellement réglé pour contrôler

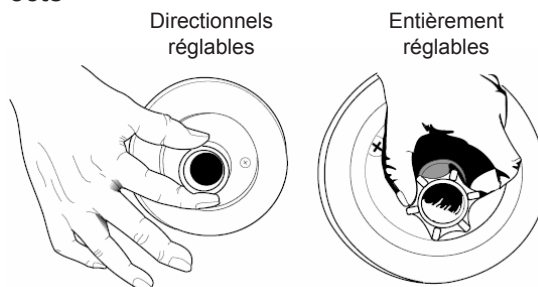
la force de l'eau en entrant du bain. Pour l'action robuste, augmentez la force de l'écoulement en faisant tourner les poignées en jais vers la gauche (en sens inverse des aiguilles d'une montre). Pour un effet plus doux, faites tourner les poignées vers la droite (dans le sens des aiguilles d'une montre). Fabriquez sur commande la force d'eau en baissant le volume d'eau de 1 jet pour augmenter la force d'eau dans un autre jet. Dans les unités avec les moteurs de 2 vitesses la force d'eau peut être augmentée ou a diminué l'utilisation du contrôle électronique. Ne dirigez jamais le système de tourbillon avec tous les jets fermés.



## Raccords de Baignoire Standard



## Jets



**FORCE D'AIR:** La Force d'air est contrôlée électroniquement. Faites allusion aux instructions de Pupitre de commande pour les détails dans la force s'adaptant d'air.

## FONCTIONNEMENT DU PANNEAU DE CONTRÔLE (Avec Chromotherapy/Illumatherapy Optionnel™ Allumant)

Toutes les cuves dans cette gamme de produits viennent avec les commandes électroniques et Chromotherapy standard ou Illumatherapy™. Lisez et suivez les instructions d'opération pour le système de contrôle de votre unité.

### Fonctions Générales

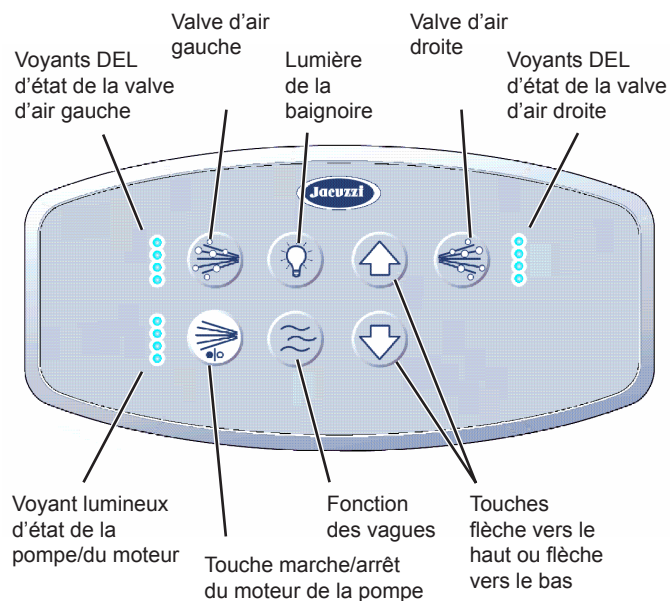
Ce Jacuzzi® la cuve est équipé avec un pupitre de commande électronique de sept boutons. Le comité de sept boutons contrôle une pompe/moteur de deux vitesses, Chromotherapy ou un éclairage d'Illumatherapy™, des commandes aériennes et un contrôle de signe. Les lumières MENÉES (dans le pupitre de commande) indiquent des niveaux de fonction. En échangeant entre les fonctions, le MENÉ pour les fonctions inactives baissera et la fonction active s'éclaircira.

Quand le niveau d'eau est au-dessous du détecteur, la pompe/moteur ne peut pas être activée. Si le SUR/DE le bouton pump/motor est appuyé à ce temps, la pompe/moteur n'opérera pas. Quand l'eau va au-dessus du détecteur de niveau d'eau, la pompe/moteur peut être activée. Si le niveau d'eau tombe au-dessous du détecteur de niveau, la pompe/moteur arrêtera.

La pompe/moteur arrêtera automatiquement trente minutes après que la pompe/moteur a été allumée.

**REMARQUE :** Garantisiez que le détecteur de niveau d'eau

## PANNEAU DE CONTRÔLE



**OPÉRATION NORMALE:** (Avec le bain rempli au niveau nécessaire)

**REMARQUE:** En échangeant entre les fonctions, le MENÉ pour les fonctions inactives baissera et la fonction active s'éclaircira.



**Touche de la Pompe/du Moteur (Marche/Arrêt)**

Appuyer sur la touche mettra EN MARCHÉ la pompe/le moteur à 2 vitesses en HAUTE vitesse. Appuyer une deuxième fois sur la touche ARRÊTERA la pompe/le moteur. Pour changer les vitesses, utilisez les touches flèches vers le haut ou flèche vers le bas.



**Voyant DEL d'état de la Pompe/du Moteur**

Lorsque la pompe/le moteur est EN MARCHÉ à HAUTE vitesse, les 4 voyants lumineux DEL seront allumés. Lorsque la pompe/le moteur est EN MARCHÉ à BASSE vitesse, le voyant lumineux DEL du bas sera allumé.



**Touche de la valve d'air, Gauche**

Appuyer sur cette touche activera les valves d'air gauches, en utilisant les touches flèche vers le haut ou flèche vers le bas pour augmenter/diminuer la circulation d'air des jets de gauche. La circulation d'air peut être réglée de nulle à maximale.



**Voyants DEL d'état de la Valve d'Air Gauche**

Les voyants lumineux DEL d'état de la valve d'air gauche auront quatre (4) voyants lumineux DEL allumés pour le niveau d'air maximum et seulement 1 voyant lumineux DEL lorsque la circulation d'air est arrêtée. Tout voyant lumineux supplémentaire indique que la circulation d'air est plus grande.

**REMARQUE:** La pression sur un bouton de bouton de duffel-coat après le fait d'appuyer le bouton d'Air Valve augmentera ou diminuera l'action de signe sur cette valve aérienne.



**Touche de la valve d'air droite**

Appuyer sur cette touche activera les valves d'air droites. Utilisez les touches flèche vers le haut ou flèche vers le bas pour augmenter ou diminuer la circulation d'air des jets à droite. La circulation d'air peut être réglée de nulle à maximale.



**Voyants DEL d'état de la Valve d'Air Droite**

Le Statut de Valve Aérien Juste MENÉ montrera quatre lumières MENÉES à l'air maximum et seulement une lumière MENÉE quand l'air est éteint. Chacun supplémentaire MENÉ indique plus d'écoulement d'air.



**Touche de Fonction des Vagues (Marche/Arrêt)**

Appuyer sur cette touche active le mouvement des vagues en ouvrant et fermant les valves d'air. Appuyer une deuxième fois sur la touche ARRÊTERA le mouvement des vagues.

Lorsque vous appuyez sur cette touche après avoir appuyé sur la touche de la pompe/du moteur ou sur la touche de la valve d'air, le mouvement des vagues sera actionné pour les valves d'air gauches et droites.

**REMARQUE:** En appuyant sur un bouton de duffel-coat après le fait d'appuyer tant le bouton Pump/Motor d'abord qu'ensuite le bouton de Wave Function augmentera ou diminuera l'action de signe sur les deux valves aériennes.



**Touche de l'éclairage de la Baignoire (Marche/Arrêt)**

Appuyer sur cette touche ALLUMERA les lumières blanches de la baignoire. Appuyer sur les touches flèche vers le haut ou flèche vers le bas à ce moment augmentera ou diminuera l'intensité de l'éclairage.

Appuyer sur cette touche une deuxième fois vous donnera accès à la couleur préférée enregistrée. Pour voir toutes les couleurs du cycle d'éclairage, utilisez les touches flèche vers le haut ou flèche vers le bas. Appuyer sur les touches flèche vers le haut ou flèche vers le bas de nouveau arrêtera le cycle d'éclairage. La couleur affichée lorsque le cycle a été arrêté sera enregistrée comme votre couleur préférée.

Appuyez sur cette touche une troisième fois pour ÉTEINDRE l'éclairage.



**Touches Flèche vers le haut ou Flèche vers le bas**

Les touches flèche vers le haut ou flèche vers le bas agissent sur chacune des autres touches pour augmenter, diminuer ou changer les fonctions. Utilisez la flèche pointant vers le haut pour augmenter et la flèche pointant vers le bas pour diminuer.



- Appuyer sur une touche flèche vers le haut ou flèche vers le bas après avoir appuyé sur la touche de la pompe/du moteur augmentera ou diminuera les vitesses de la pompe/du moteur. Si la pompe/le moteur est à HAUTE vitesse, appuyez sur la flèche pointant vers le bas pour choisir BASSE vitesse. Si la pompe/le moteur est à BASSE vitesse, appuyez sur la flèche pointant vers le haut pour choisir HAUTE vitesse.

**CONTINUED**



## CONTINUED

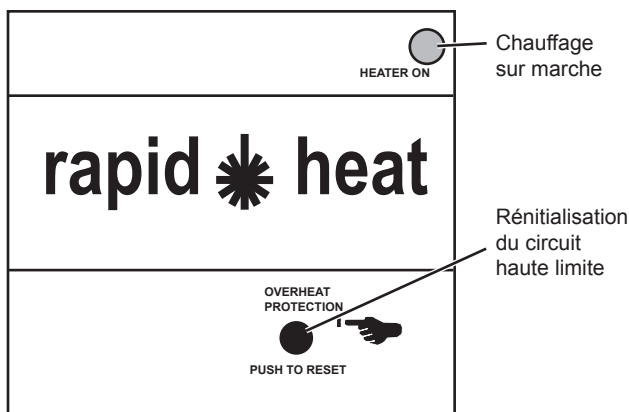


- Appuyer sur les touches flèche vers le haut ou flèche vers le bas après avoir appuyé une fois sur la touche d'éclairage de la baignoire fera augmenter ou diminuer l'intensité de la lumière blanche. Appuyer sur une touche flèche vers le haut ou flèche vers le bas après avoir appuyé deux fois sur la touche d'éclairage de la baignoire fera débiter le cycle de changement de couleur.

Laissez le cycle de changement de couleur fonctionner ou appuyez sur la même touche flèche vers le haut ou flèche vers le bas de nouveau pour arrêter le cycle de changement de couleur.

Lorsque l'éclairage est arrêtée à une couleur, appuyez sur la touche d'éclairage de la baignoire une troisième fois pour ÉTEINDRE l'éclairage. (Une couleur préférée sera enregistrée SEULEMENT une fois que le cycle est arrêté sur la couleur puis éteinte.)

- Utilisez l'en haut et en bas du changement de Bouton de duffel-coat pour augmenter ou diminuer l'écoulement d'air au quitté et l'ensemble juste des jets. L'écoulement d'air ne peut être réglé d'aucun air à l'air maximum.



trouvé à l'intérieur du bain est sans n'importe quel savon ou accumulation de crasse.

## FUNCTIONNEMENT DU RAPIDHEAT™

Ces unités font installer un chauffage RapidHeat™ sur les lignes de renvoi ou la consommation. Le chauffage aidera à maintenir la température de l'eau dans le bain.

### Fonctionnement

Avec le chauffage installé et la pompe de tourbillon opère, la fonction chauffante est complètement automatique. Aucun contrôle d'utilisateur exigé.

### Contacteur à Vide

Le chauffage est équipé d'un contacteur à vide pré-réglé ou le contacteur de pression qui empêche le chauffage de se mettre en marche si la pompe ne tourne pas avec un débit d'eau dans le système à remous.

### Contacteur Haute Limite

Le chauffage inclut un contacteur haute limite exclusive. Ce circuit de sécurité ne se déclenche pas par erreur si de l'eau chaude du robinet est versée. Il n'éteint le chauffage qu'en cas de défaillance du thermostat. Pour le réinitialiser, appuyer sur le bouton. Si le contacteur haute limite se déclenche fréquemment, contacter un spécialiste de l'entretien électrique/mécanique agréé.

## NETTOYAGE DE LA BAIGNOIRE

Pour nettoyer la baignoire, il suffit d'utiliser un détergent liquide non abrasif. Vous pouvez protéger et restaurer le brillant d'une surface acrylique ternie en appliquant de la pâte Mirror Glaze No. 10 de Meguiar, un produit spécialement conçu pour une utilisation sur les finis en acrylique. Si ce produit n'est pas disponible, un produit polissant pour acrylique de qualité similaire ou une cire en pâte automobile sont également acceptables.

Ne jamais utiliser de nettoyeurs ménagers sur tous les produits Jacuzzi® Whirlpool Bath.

## RÉPARATIONS DE SURFACE

Les égratignures mineures qui ne pénètrent pas la fin en couleur peuvent être enlevées par légèrement sanding avec le papier de verre mouillé/sec de 600 sables. Restituez le lustre en utilisant le Meguiar's Mirror Glaze, ou la cire de colle automotrice.

Les égratignures importantes et les gouges qui pénètrent la

surface en acrylique exigeront le refinissage. Demandez à votre commerçant de Jacuzzi® Whirlpool Bath des instructions spéciales.

## PRODUITS DE BAIN

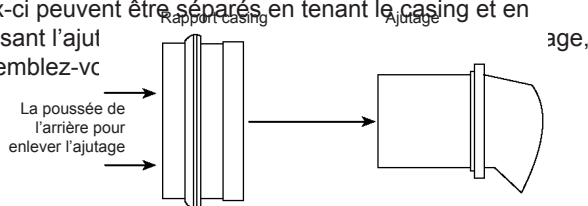
**REMARQUE :** Ne pas utiliser d'huile ou de produits de bain à base d'huile.

Si l'utilisation de produits de bain est souhaitée, utiliser uniquement une petite quantité de poudre ou de cristaux peu moussaux; l'action des remous intensifie le pouvoir moussant des savons.

L'utilisation de certaines huiles de bain, certains bains moussants et produits de bain peut augmenter le niveau de résidus de bain s'accumulant dans le système à remous. Si une accumulation excessive persiste, arrêter d'utiliser ces produits.

## LE FAIT DE LANCER LA MAINTENANCE DE JETS (Les Modèles équipés avec le fait de lancer des jets)

Si les cheveux ou d'autre sorte de débris sont attrapés dans les rapports de ces jets, il pourrait les faire arrêter de tourner. Cela peut exiger le démantèlement et le nettoyage. Pour le faire, saisissez simplement l'ajutage et tirez directement de l'habitation en jais. Le rapport casing sera attaché à l'ajutage. Ceux-ci peuvent être séparés en tenant le casing et en poussant l'ajul rassemblez-vc



## PURGE DU SYSTÈME À REMOUS

**REMARQUE :** Le système à remous doit être purgé au moins deux fois par mois.

Pour retirer les accumulations de résidus de bains du système à remous, il est recommandé de purger la baignoire à remous au moins deux fois par mois. Cependant, pour de meilleurs résultats, il est recommandé de purger la baignoire à remous après chaque usage en utilisant notre nettoyant pour plomberie en deux parties spécialement conçu pour les baignoires à remous.

Le produit Systems Clean™ est disponible auprès des distributeurs Jacuzzi® Whirlpool Bath agréés ou en nous appelant directement au 1-800-288-4002.



## INSTRUCTIONS DE SYSTEMS CLEAN

Renvoyez à l'instruction sur le paquet de Système Propre.

**MISE EN GARDE:** N'utilisez pas ce produit en baignant. Utilisez la prudence extrême en manipulant ce produit.

Immédiatement après le bain et en sortant de la baignoire à remous, laisser l'eau du bain dans la baignoire et ajouter de l'eau chaude, si nécessaire, de sorte que l'eau soit à au moins 25 mm à 51 mm (1 à 2 po) au-dessus du jet le plus haut.

**REMARQUE:** l'air initié du système d'hydromassage provoquera les contenus de Systems Clean™ à la mousse augmentant l'odeur.

Si votre cuve a des commandes aériennes, éteignez le contrôle d'air de tourbillon ou tournez-le au cadre le plus bas et versez les contenus entiers de PAQUET 1 SEULEMENT directement dans l'eau de bain. Pour les meilleurs résultats, versez le Système Propre dans la cuve près de la consommation pour la pompe de circulation [la couverture/ passoire de succion] et soyez sûrs d'éviter le contact avec votre peau. Permettez au tourbillon de courir depuis 30 secondes et ajouter ensuite le PAQUET 2 SEULEMENT. **Il est important d'utiliser le PAQUET 1 avant le PAQUET 2 pour éviter une forte odeur.** Admettez que le bain pour courir depuis 5 à 10 minutes égoutte alors la cuve complètement. Rechargez la cuve avec l'eau froide et courez depuis 2 à 3 minutes. La canalisation complètement et le rinçage de n'importe quel résidu.

**DANGER:** Peut être dangereux si avalé. Irritant pour les yeux. Protégez les yeux, la peau et les muqueuses d'un contact direct avec ce produit ou sa solution concentrée. Un produit alcalin peut causer des brûlures sévères aux yeux et à la peau.

Si les instructions de purge standard ci-dessus ont été respectées et qu'il continue à y avoir une accumulation excessive de résidus de bains et qu'un autre système de nettoyage est souhaité, nous recommandons le système SUPER SYSTEMS CLEAN PLUS fabriqué par Stearns Packaging pour remédier à ce problème. Il peut être obtenu en nous appelant au 1-800-288-4002. Il est recommandé de suivre les instructions fournies par le fabricant avec le produit. Un usage répété peut être nécessaire. Le système SUPER

SYSTEMS CLEAN PLUS ne dispense pas d'effectuer la purge régulière du système à remous avec le produit Systems Clean, telle que recommandée.

## ENTRETIEN DU COUVERCLE D'ASPIRATION/ DU FILTRE

Nettoyer le couvercle d'aspiration/le filtre en ôtant les cheveux et les débris régulièrement. Pour ce faire, retirer la vis centrale et détacher le couvercle carré. Nettoyer le couvercle en rinçant les débris pour les faire sortir des orifices. Replacer immédiatement le couvercle d'aspiration après le nettoyage. Lors de la réinstallation, orienter le couvercle/le filtre avec la petite encoche vers le bas. Le joint doit être inséré dans la rainure du couvercle/filtre avant la réinstallation sur le raccord d'aspiration.

**MISE EN GARDE:** Maintenir les cheveux à au moins 152 mm (6 po) du raccord d'aspiration à tout moment lorsque le système à remous est activé. Les cheveux plus longs que les épaules doivent être bien attachés près de la tête, ou utiliser un bonnet de bain. Ne pas utiliser le système à remous sans le couvercle d'aspiration! Il constitue un dispositif de sécurité et doit toujours être en place sur le raccord d'aspiration pour réduire les risques potentiels de happement des cheveux ou des parties du corps.

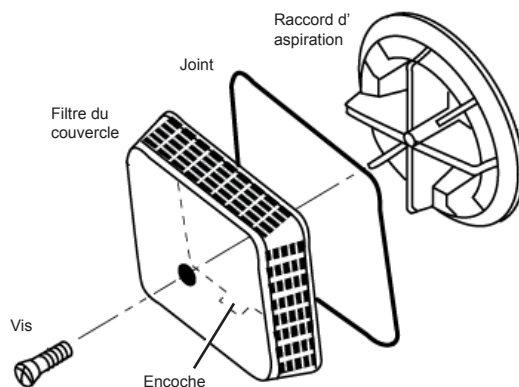
### L'ÉCLAIRAGE (Chromotherapy)

Votre unité a l'éclairage (MENÉ) de Chromotherapy. Si les lumières manquent de fonctionner le contact votre Jacuzzi® Whirlpool le commerçant de Bain. Il n'y a aucun client les composants utiles sur l'éclairage de Chromotherapy.

Les installations de remplacement sont disponibles de votre Jacuzzi® Whirlpool le commerçant de Bain.

### L'ÉCLAIRAGE (Illumatherapy™ Optionnel)

Si votre unité a Illumatherapy (fiberoptic) l'éclairage et les lumières manquent de fonctionner le contact votre Jacuzzi®



**Couvercle d'Aspiration/Filtre**

Whirlpool le commerçant de Bain. Il n'y a aucun client les composants utiles sur l'éclairage d'Illumatherapy.

Les installations de remplacement sont disponibles de votre Jacuzzi® Whirlpool le commerçant de Bain.

# DÉPANNAGE GÉNÉRAL

PROBLÈME	CAUSES PROBABLES	REMÈDE
La pompe/le moteur ne démarre pas	Pompe/moteur non alimenté(e).	Réinitialiser le disjoncteur de fuite à la terre.
	Pompe/moteur non branché(e).	Insérer complètement la prise dans la prise murale.
	Pompe/moteur défectueux/se.	Remplacer la pompe/le moteur.
Pupitre de commande pas répondant	aucun pouvoir du pupitre de commande	Le pouvoir en bas le système par le fait de non brancher l'unité ou par le fait d'arrêter le pouvoir au comité de brisant de maison. Attendez 15 secondes alors le pouvoir fait marche arrière. Réessayez le système en activant la caractéristique qui ne répondait pas
	Le câble de pupitre de commande est débranché	Reraccordez le câble de pupitre de commande à l'odeur corporelle de jonction ou au contrôle
La pompe/le moteur fonctionne mais aucun jet entièrement réglable ne fonctionne.	Les jets sont fermés.	Ouvrir les jets en les tournant dans le sens antihoraire
	Le couvercle d'aspiration est peut-être obstrué.	Avec le moteur à l'arrêt, retirer le couvercle de sécurité et retirer les débris. <b>Remplacer le couvercle d'aspiration avant de remettre l'unité en marche.</b>
La pompe/le moteur fonctionne mais l'air n'est pas diffusé dans l'eau	Robinetts d'air fermés.	Utilisez le pupitre de commande électronique aux valves de plein air. La reconstruction les valves aériennes pour permettre l'écoulement d'air
Fuite d'eau provenant des raccords de la pompe.	Serrage excessif, le joint torique est peut-être pincé ou mal installé, serrage insuffisant.	Desserrer les raccords et vérifier ou réinstaller le joint torique. Si le joint torique a été pincé et déformé, le remplacer (voir le numéro d'assistance pour l'entretien et les réparations ci-dessous). Lors du serrage des écrous des raccords, <b>effectuer le serrage à la main uniquement.</b>
	La protection thermique du moteur a désactivé la pompe/le moteur en raison d'une surchauffe. (Tension d'alimentation basse.)	Laisser le moteur refroidir; la protection thermique se réinitialise. Vérifier que la ventilation est adéquate. (Vérifier la tension d'alimentation.)
La pompe/le moteur s'arrête automatiquement ou avec le minuteur mural avant que la durée réglée ne soit écoulée.	Le disjoncteur de fuite à la terre est déclenché.	Réinitialiser le disjoncteur de fuite à la terre. S'il continue à se déclencher, ne pas utiliser l'unité. Débrancher l'unité et faire appel à un électricien qualifié pour remédier au problème avant d'utiliser l'unité de nouveau.
	Câblage d'alimentation inadéquat.	Consulter un électricien qualifié pour corriger le câblage de l'unité.
L'éclairage pour la chromothérapie ne fonctionne pas	Le connecteur est lâche	Consultez l'agent gestionnaire autorisé le plus près
L'éclairage ne travaille pas	Le câble débranché ou cassé	Reraccordez le câble desserré. Réparez des fils câblés cassés

**REMARQUE:** Si l'unité est dans la période de garantie, contacter l'assistance pour l'entretien et les réparations de Jacuzzi® Whirlpool Bath au 1-800-288-4002 avec le numéro de série de la baignoire avant de commencer les réparations. Le numéro de série est situé sur la plaque des spécifications/du numéro de série, voir Entretien et Réparations par des Techniciens Agréés.



# ENTRETIEN ET RÉPARATIONS PAR DES TECHNICIENS AGRÉÉS

Pour obtenir une recommandation pour une entreprise de réparation locale, ou pour obtenir de l'aide concernant le fonctionnement ou l'entretien, veuillez appeler le département d'assistance pour l'entretien et les réparations au 1-800-288-4002. Visitez notre site Web à <http://www.jacuzzi.com/> pour découvrir nos produits, services, et une copie en ligne Internet d'entre ceux-ci l'Installation et les Instructions d'Opération.

Pour trouver une liste des techniciens d'entretien pour:

Réparations électriques ou mécaniques, visitez <http://jacuzzi.com/pdf/ASA.PDF>

Réparations sur la finition, les surfaces ou la coque, visitez <http://jacuzzi.com/pdf/AFC.PDF>

Pièces détachées ou accessoires, visitez <http://jacuzzi.com/pdf/MPD.PDF>

Pour toute demande d'assistance technique ou pour les réparations/l'entretien, veuillez avoir à disposition le modèle et le numéro de série de l'unité. Cette information peut être obtenue sur la carte d'enregistrement du produit fournie avec l'unité. Si la carte est perdue, cette information peut être obtenue sur l'étiquette des spécifications/du numéro de série sur l'unité même (pour l'emplacement de l'étiquette des spécifications/du numéro de série, voir ci-dessous).

## BAIGNOIRES

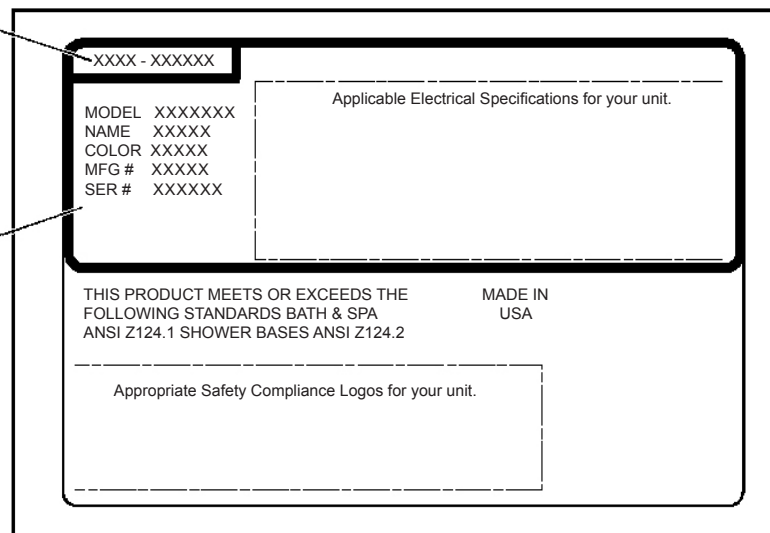
Sur le bain de tourbillon, l'étiquette est trouvée sur le mur du bain près de la pompe/moteur.

Sur les bains non-envolés, l'étiquette est trouvée à côté du fait d'égoutter/déborder..

### Plaque des Spécification/Du Numéro de Série

Numéro de l'unité principale-numéro de série

Le numéro de série est indiqué ici



LES SPÉCIFICATIONS DU PRODUIT SONT SUJETTES À MODIFICATION SANS PRÉAVIS

UTILISER LES INSTRUCTIONS D'INSTALLATION FOURNIES AVEC LE PRODUIT

La société a obtenu l'homologation aux codes (normes) en vigueur généralement applicables aux produits de ce type à une échelle nationale. Il relève de la responsabilité de l'installateur/du propriétaire de déterminer la conformité aux codes locaux spécifiques avant l'installation du produit. La société ne fait aucune représentation ou garantie concernant toute conformité aux codes et ne peut également pas en être tenue responsable.

**Jacuzzi® Whirlpool Bath**

14525 Monte Vista Avenue  
Chino, California, 91710

# Garantie limitée à vie sur les baignoires de marque Jacuzzi de la Collection Comfort, Comfort Plus, Pure Air®, Luxury, Salon™, et Pure Air® II

## COUVERTURE DE LA GARANTIE

Jacuzzi Whirlpool Bath (la « Société ») offre la garantie limitée à vie expresse suivante à l'acheteur d'origine (« Utilisateur ») d'une baignoire à remous Jacuzzi® offerte dans la collection Comfort, Comfort Plus, Pure Air®, Pure Air® II, et Luxury™ de la Société ayant fait l'achat d'une baignoire pour un usage personnel ou résidentiel en maison individuelle: La Société réparera ou remplacera, à sa discrétion, la baignoire ou son équipement, conformément aux termes et conditions suivants. Cette garantie ne s'applique pas aux produits de Bain non-de marque fabriqués par la Société.

## GARANTIE À VIE SUR LES BAIGNOIRES

La société étend à l'utilisateur de la baignoire une garantie à vie limitée non transférable concernant l'intégrité structurelle et la configuration de la coque, ainsi que l'absence de fuites d'eau provenant d'un défaut de coque de la baignoire. Cette garantie couvre uniquement la coque de la baignoire et la pompe, les jets, les commandes et le ventilateur installés par le fabricant contre tout défaut de main d'œuvre et de fabrication. Cette garantie ne s'applique pas aux modèles d'exposition ou à toute option ou tout accessoire couverts par la garantie limitée de quatre-vingt-dix (90) jours indiquée ci-dessous. La couverture de la garantie commence à la date d'achat d'origine de l'unité par l'Utilisateur et à réception par la Société de la fiche de garantie entièrement remplie, tel que décrit ci-dessous.

## GARANTIE D'DEUX ANS SUR LA MAIN D'ŒUVRE POUR TOUS LES COMPOSANTS INSTALLÉS EN USINE

Notre garantie limitée sur la main d'œuvre est valable pour une période d deux (2) ans à partir de la date d'achat d'origine par l'utilisateur, mais ne dépassant pas trois (3) ans à partir de la date de fabrication. Tous les composants installés en usine (par exemple, la pompe, le moteur, le ventilateur, et la plomberie) sont couverts par notre garantie sur la main d'œuvre contre les pannes dues à des vices de fabrication et de main d'œuvre.

## GARANTIE LIMITÉE DE 90 JOURS (PIÈCES UNIQUEMENT) SUR LES AUTRES OPTIONS ET ACCESSOIRES

Notre garantie limitée sur les options et les accessoires est depuis quatre-vingt-dix (90) jours pour les parties seulement. Notre garantie couvre des options et des accessoires fabriqués (par ex., remplissez des kits de bec, coupez des kits, des jupes, des moniteurs vidéos, des écrans de télévision de plasma, un CD et des joueurs MP3 et d'autre musique et des artifices vidéos et des chauffages optionnels) contre les défauts dans la matière ou le travail professionnel. La couverture de Garantie commence à la date l'option ou le complice ont été à l'origine achetés par l'Utilisateur. Ces articles peuvent être couverts selon la garantie d'un fabricant qui peut avoir une plus longue durée que cette garantie limitée. Confirmez s'il vous plaît avec le fabricant la durée de la garantie appropriée pour les Options et les Accessoires.

## LIMITES DE LA GARANTIE

Notre garantie limitée ne couvre pas les défauts, les dommages ou les pannes causés par le transporteur général, l'installateur, l'Utilisateur ou d'autres personnes, les animaux domestiques ou les rongeurs, ou par les faits suivants, de manière non limitative: manipulation négligente (levage de l'unité par la plomberie, abrasant la finition, etc.), y compris notamment sa propre négligence; modification quelconque pour une raison quelconque (y compris les modifications faites pour conformité aux codes locaux); mauvaise installation (y compris installation non conforme aux instructions et aux spécifications fournies avec l'unité); connexions fournies par l'installateur de l'équipement; alimentation électrique incorrecte ou modification électrique non autorisée; utilisation incorrecte; fonctionnement incorrect, y compris entretien de routine insuffisant; fonctionnement de l'unité sans la quantité d'eau minimum spécifiée ou avec de l'eau à une température inappropriée; utilisation de nettoyeurs abrasifs ou inappropriés; catastrophes naturelles, telles que foudre, inondations, tremblements de terre, etc.

En outre, LA SOCIÉTÉ NE SERA PAS RESPONSABLE DES DOMMAGES ACCESSOIRES OU INDIRECTS, des pertes découlant de toute cause (par exemple, dégâts des eaux sur les tapis, plafonds, carrelage, marbre, perte de jouissance, etc.) y compris sa propre négligence, des dommages concernant ou résultant de: pièces galvanisées lorsque des produits chimiques pour piscine et/ou cuve thermale sont utilisés dans l'unité ou conditions d'eau dure; équipement de baignoire en option non fabriqué par la société mais fourni par le distributeur, l'installateur ou la Société; utilisation antérieure de l'unité en tant que modèle de démonstration; défauts qui auraient dû être découverts avant l'installation.

Cette garantie limitée n'inclut pas: la main d'œuvre, le transport, ni les autres coûts occasionnés lors du retrait et/ou de la réinstallation de l'unité d'origine et/ou de l'installation d'une unité de rechange; les coûts liés à l'obtention d'un accès pour la réparation; les dommages dus à la perte de jouissance, y compris les pertes de nature commerciale ou les manques à gagner de toutes sortes et sous n'importe quelle circonstance. Les baignoires sont exclues de toute couverture de garantie si un ajout, un retrait ou une modification quelconque et de toute nature a été effectué sur l'unité (ou l'un de ses composants). La couverture de garantie est fournie pour les États-Unis d'Amérique et le Canada uniquement.

## EXCLUSION DE GARANTIES IMPLICITES

LES GARANTIES IMPLICITES DE QUALITÉ MARCHANDE OU D'ADAPTATION À UN BUT PARTICULIER SONT DÉNIÉES COMPLÈTEMENT OU DANS LA PLUS GRANDE MESURE PERMISE PAR LA LOI.

AVIS: Cette garantie octroie des droits spécifiques et d'autres droits pouvant varier d'un état ou province à l'autre peuvent également exister. Il n'existe pas de garanties applicables aux produits de Jacuzzi Whirlpool Bath autres que celles expressément déclarées dans ce document et découlant des lois fédérales et des États. La société ne sera pas responsable des déclarations et des représentations faites sous toute forme, s'étendant au-delà, dépassant ou étant inconsistantes avec la documentation autorisée et les spécifications fournies par la société.

Certains États ne permettant pas de limitations de durée sur les garanties implicites, ou l'exclusion et la limitation des dommages accessoires et consécutifs, les limitations et exclusions ci-dessus peuvent ne pas s'appliquer.

Luxury Bath by Jacuzzi®, K339000Y, Avril 2008



Jacuzzi© Whirlpool Bath  
14525 Monte Vista Avenue  
Chino, California 91710

## RENOVI DE LA FICHE DE GARANTIE

La fiche de garantie jointe DOIT être remplie par l'acheteur dans les trente (30) jours suivants l'achat et reçue par Jacuzzi Whirlpool Bath afin que cette garantie puisse entrer en vigueur.

### RESPONSABILITÉS DES TIERS

L'inspection de l'unité préalable à l'installation relève de la responsabilité de l'installateur ou de l'entrepreneur en bâtiments agissant pour le compte de l'utilisateur. Ceux-ci sont responsables d'assurer que l'unité est exempte de défauts ou de dommages. Des avis sont placés sur et dans l'unité, et sur le carton d'expédition, alertant l'installateur de cette responsabilité. En cas de problème, l'unité ne doit pas être installée. La Société n'est pas responsable des pannes et des dommages qui auraient pu être découverts, réparés ou évités par une inspection et des tests adéquats (y compris les tests d'eau adéquats) avant l'installation.

Les dommages ayant lieu durant le transit relèvent de la responsabilité du transporteur. L'utilisateur ou l'installateur DOIVENT ouvrir l'emballage et inspecter l'unité pour vérifier l'absence de dommages lors de la livraison. Si des dommages sont notés, ceux-ci doivent être immédiatement reportés au vendeur et au transporteur par écrit, et une inspection doit être demandée. L'absence de réponse du transporteur doit être reportée au vendeur et au transporteur. Les réclamations doivent être soumises au plus tôt.

L'accès pour les réparations relève de la responsabilité de l'installateur, de l'entrepreneur en bâtiments ou de l'utilisateur. La Société n'est pas responsable des coûts liés à l'obtention de l'accès pour les réparations. L'utilisateur est responsable de ces frais, et, le cas échéant, doit en demander le remboursement auprès de l'installateur.

Les dommages à l'unité ayant lieu durant l'installation relèvent de la responsabilité de l'installateur et/ou de l'entrepreneur en bâtiments, et les dommages ayant lieu ultérieurement relèvent de la responsabilité de l'utilisateur.

Les pannes de tout équipement en option relèvent de la responsabilité exclusive du fabricant de l'équipement, sauf dans les cas ci-dessus, et ne s'étendent pas, ni ne s'appliquent, aux pièces de rechange des options et des accessoires. Toute pièce de rechange est couverte par le fabricant de l'équipement d'origine.

Le distributeur ou le revendeur est responsable de l'application des codes locaux et doit en avertir l'entrepreneur responsable de l'installation et/ou l'utilisateur lors de l'achat. La Société n'est pas responsable des frais de modification du produit en vue d'obtenir la conformité aux codes, tels que les codes locaux (villes, comtés et États) pour les États-Unis et les codes municipaux ou provinciaux au Canada.

### ENTRETIEN ET RÉPARATIONS DANS LE CADRE DE LA GARANTIE

Pour le bénéfice du client, la société offre une liste de personnel d'entretien indépendant pour effectuer les entretiens et les réparations requis dans le cadre de la garantie. De telles sociétés ne sont pas des agents ou des représentants de la Société et ne peuvent pas lier la société en termes ou en conduite.

La Société fournira l'entretien ou les réparations sous garantie décrits ci-dessus lorsque les conditions suivantes sont réunies: la panne est de nature ou de type couvert par la garantie; l'utilisateur a informé l'agent du département d'entretien et de réparation autorisé de Jacuzzi Whirlpool Bath ou le représentant du département d'entretien et de réparation sous garantie de la nature du problème dans la période de garantie; une preuve concluante (par exemple, preuve d'achat ou d'installation) est fournie aux parties indiquées précédemment par l'utilisateur prouvant que la panne a eu lieu ou a été découverte dans la période de garantie; une personne du département de l'entretien et des réparations indépendante et autorisée ou un représentant de la société a obtenu la permission d'inspecter l'unité durant les heures ouvrables et dans un délai raisonnable après que le problème a été reporté par l'utilisateur.

Pour obtenir l'entretien ou les réparations sous garantie, contacter l'agent de l'entretien et des réparations autorisé de Jacuzzi Whirlpool Bath le plus proche ([http://www.jacuzzi.com/trade/bath\\_product\\_support/repairs/](http://www.jacuzzi.com/trade/bath_product_support/repairs/)). Donner une description du problème, l'agent de l'entretien et des réparations autorisé inspectera l'unité et fournira l'entretien ou les réparations sous garantie requis.

En cas d'incapacité à contacter un agent de l'entretien et des réparations de Jacuzzi Whirlpool Bath, veuillez appeler le numéro ou écrire à l'adresse:

Jacuzzi Whirlpool Bath  
Warranty Service Department  
14525 Monte Vista Avenue,  
Chino, California 91710  
Téléphone: 1-(800) 288-4002

Pour obtenir le remplacement sous garantie des composants installés en usine pour les options et accessoires fournis et fabriqués par la société, veuillez écrire à l'adresse ou appeler le numéro ci-dessus. Veuillez fournir une description du problème et une preuve d'achat. Vous obtiendrez les instructions sur l'obtention des pièces de rechange et comment renvoyer, à vos frais, le ou les composants, options ou accessoires défectueux.

Toutes les pièces de rechange, l'équipement et les réparations bénéficient de la période de garantie restante des pièces remplacées.

L'obligation de garantie de la société sera acquittée après l'offre de remplacement ou de réparation. Le refus du client d'accepter l'offre met fin à l'obligation de garantie de la société.

*Notes s'il vous plaît que la Carte d'Enregistrement peut être accomplie en ligne Internet à Jacuzzi.com*



Il faut remplir cette carte et la retourner à l'adresse imprimée au verso dans les trente (30) jours qui suivent la date d'achat pour que cette garantie prenne effet.



**CARTE D'ENREGISTREMENT DE GARANTIE**

Nom de l'acheteur \_\_\_\_\_ Adresse de l'acheteur \_\_\_\_\_ Ville \_\_\_\_\_ État \_\_\_\_\_ Code postal \_\_\_\_\_  
 Date d'achat \_\_\_\_\_ Nom du modèle \_\_\_\_\_ Numéro de série \_\_\_\_\_  
 Nom du vendeur \_\_\_\_\_ Adresse du vendeur \_\_\_\_\_  
 1. Comment est-ce que vous avez entendu parler de ce produit Jacuzzi® la première fois?  
 Publicité  Article dans un Magazine/Journal  Pages jaunes  
 Visite au Détaillant/Fournisseur d'articles de plomberie  
 Constructeur/Plombier/Remèdeleur  Décorateur/Architecte  
 Visite Détaillant/Centre d'équipement ménager  
 Bouche à oreille... Ami/Parent/Connaissance  
 Autre (Décrire s.v.p.) \_\_\_\_\_  
 2. Quelle est la personne qui vous a donné des renseignements spécifiques sur ce produit (spécifications, prix, etc.)?  
 Détaillant/Fournisseur d'articles de plomberie  Constructeur  
 Remèdeleur  Entreprise de plomberie  Déjà installé  
 Détaillant/Centre d'équipement ménager  Décorateur/Architecte  
 Décorateur/Architecte  
 Autre (Décrire s.v.p.) \_\_\_\_\_  
 3. Quelle est la raison principale de votre achat?  
 Style  Service garantie  Caractéristiques de l'appareil  
 Marque  Prix \$ \_\_\_\_\_  Hydrothérapie  
 Vente de la maison  Autre \_\_\_\_\_  
 4. Qui a décidé quel produit acheter?  
 Moi-même  Conjoint  Épouse et moi-même ensemble  
 Autre membre de la famille  Designer/Architecte  
 Constructeur/Plombier/Remèdeleur  Déjà installé  
 5. Qui a installé?  
 Déjà installé/nouvelle maison  
 Entrepreneur/Plombier pendant le remodelage  
 Moi-même/Épouse pendant le remodelage  
 Autre \_\_\_\_\_  
 6. Quelle est la valeur actuelle de cette propriété? Estimation s.v.p. \$ \_\_\_\_\_  
 7. Quel est l'âge du chef de famille? \_\_\_\_\_ ans  
 8. Quels autres fabricants ont été considérés?  
 Eiler  Lasco  Price Frister  Aqua Glass  
 Kohler  American Standard  Sterling  Autre (Spécifier) \_\_\_\_\_  
 9. Pendant combien de temps avez-vous cherché avant d'acheter l'appareil?  
 1 jour  1 - 2 semaines  1 - 2 mois  6 mois - 1 an  
 2 - 7 jours  2 - 4 semaines  2 - 6 mois  1 - 2 ans  +2 ans  
 10. Pendant combien de temps environ avez-vous habité dans cette maison? \_\_\_\_\_  
 11. Veuillez indiquer le revenu annuel total approximatif de votre famille.  
 Jusqu'à 24,999 \$  40,000 \$ à 49,999 \$  100,000 \$ à 140,000 \$  
 25,000 \$ à 29,999 \$  50,000 \$ à 74,999 \$  150,000 \$ et plus  
 30,000 \$ à 39,999 \$  75,000 \$ à 99,999 \$  
 12. Est-ce que l'achat a été?  Très facile  Facile  Difficile  Très difficile  
 13. Est-ce que vous connaissez techniquement le système de jets Jacuzzi® breveté avant votre achat?  
 Non  Quelque peu  Très bien

Garantie Limitée de 90 Jours (Pièces Uniquement) sur les Accessoires

Garantie Limitée de 90 Jours (Pièces Uniquement) sur les Accessoires

JACUZZI WHIRLPOOL BATH  
K339000Y

***THIS PAGE INTENTIONALLY LEFT BLANK***



# SERIE DE TINAS LUXURY

## INSTRUCCIONES DE INSTALACION Y OPERACION

### **Conserve estas instrucciones para uso futuro**

Completar y mandar por correo la Tarjeta de Registro para la Garantía.  
Anotar y guardar el número de serie y el número de modelo de la unidad.

#### ***Registro de Propietario***

Fecha de compra \_\_\_\_\_

Comprado a \_\_\_\_\_

Instalado por \_\_\_\_\_

Número de serie \_\_\_\_\_

Número de modelo \_\_\_\_\_

**Instalador:** Deje este manual para el propietario.

**Propietario:** Lea este manual y guárdalo para para la futura referencia.

**TAMBIÉN ENCUENTRE EL MANUAL EN INTERNET EN JACUZZI.COM**

# INSTRUCCIONES IMPORTANTES DE SEGURIDAD

## LÉA Y SIQUE TODAS LAS INSTRUCCIONES

### GUARDE ESTAS INSTRUCCIONES

#### INSTRUCCIONES QUE PERTENECEN A UN RIESGO DE EL FUEGO, DE EL CALAMBRE, O DE LA HERIDA A PERSONAS

**ADVERTENCIA:** Cuando se usa bañeras eléctricas, las precauciones básicas siempre deben seguir lo que sigue.

**ADVERTENCIA:** Utiliza esta unidad solo para su uso destinado descrito en este manual. No utilice las instrucciones no recomendado por los fabricantes.

**PELIGRO:** Para reducir el riesgo de peligro, no permite que niños utilicen esta unidad a menos que ellos sean supervisados de cerca siempre.

**ADVERTENCIA:** Nunca deje caer o mete cualquier objeto en alguna apertura.

**PRECAUCION:** Riesgo de descarga eléctrica: El Baño de Salón puede tener dos fuentes de alimentación en cuyo caso se requiere dos interruptores para desactuar la bañera antes de usar.

## INSTALACION

**NOTA:** Este producto debe ser instalado por profesionales. Es necesario contar con conocimientos técnicos de construcción, instalaciones eléctricas y plomería de acuerdo con las normas para lograr una instalación adecuada y la satisfacción del usuario. Recomendamos que la instalación de todos los productos Jacuzzi® Whirlpool Bath estén a cargo de un contratista certificado. Nuestra garantía no cubre problemas relacionados con instalaciones inadecuadas.

**NOTA:** Instale esta unidad de acuerdo con la normativa canadiense para electricidad, Parte 1.

**PRECAUCIÓN:** Este equipo está diseñado para uso en interiores únicamente. Instale el equipo de acuerdo con estas instrucciones. Utilice cables de alimentación que sean adecuados para 75° C, incluyendo la clasificación de temperatura de los conductores de alimentación que se utilizarán.

Esta unidad se debe molar eléctricamente y debe ser instalada por un contratista licenciado, por el electricista, y por el plomero.

Las materias del edificio y el alambrado se deben dirigir lejos de la motriz/bomba o fuelle u otro calor que produce los componentes de esta unidad.


El motor y el calentador tienen en su parte exterior un conector de cable a presión para permitir la conexión de un conductor de unión sólido de cobre No. 8 Awg (8.4 mm) entre esta unidad y el resto de los equipos eléctricos y metales expuestos cercanos, a fin de cumplir con las normas locales.

**ADVERTENCIA:** Esta unidad deberá estar conectada únicamente a un circuito de alimentación que esté protegido por un interruptor de circuito de falla conectado a tierra (GFCI) 15 A. Tal GFCI debe ser proporcionado por el instalador y debe ser probado en una base rutinaria. Para probar el GFCI, presione el botón de prueba. El GFCI debe interrumpir el poder eléctrico. Presione botón. La energía se debe restaurar. Si el GFCI falla al operar de esta manera, el GFCI está defectuoso. Si el GFCI interrumpe la energía a la bañera sin el botón de la prueba para se activado, una corriente del suelo que fluye, indicando una posibilidad de un descarga eléctrica. No utilice esta bañera de hydromassage. Desconecte la bañera de hydromassage y corrija el problema por un representante calificado del servicio antes de utilizar.

**ADVERTENCIA:** (Unidades de conexión permanente) estas unidades cuentan con una terminal verde (o un conector de cable marcado con "G," "GR," "GROUND," o "GROUNDING") dentro del compartimiento de terminales. Para reducir el riesgo de descarga eléctrica, conecte la terminal o el conector a la terminal de tierra del servicio eléctrico o del tablero de alimentación con un conductor del mismo tamaño de los conductores del circuito que suministran este equipo.

Para unidades de construcción fija y las de inserción se requieren dejar espacio para acceso de servicio.

## OPERACION

 **PRECAUCIÓN:** Pruebe el interruptor de circuito de defecto de suelo que protege este aparato periódicamente de acuerdo con las instrucciones del fabricante.

**ADVERTENCIA:** Riesgo de hipotermia y posibilidad de ahogarse. La temperatura del agua que supere los 104° F (40° C) puede ser perjudicial para la salud. Controle y regule la temperatura del agua antes de utilizar la tina.

**ADVERTENCIA:** La inmersión prolongada en el agua caliente puede inducir hipotermia. La hipertermia ocurre cuando la temperatura interna del cuerpo alcanza grados encima de la temperatura corporal normal de 98.6° F. Los síntomas de hipotermia consiste en el aumento de la temperatura interna del cuerpo, el mareo, el letargo, somnolencia y desmayo. Los efectos de hipertermia incluyen:

- a. Impide la percepción de calor.
- b. Impide reconocer la necesidad de salir la bañera de Jacuzzi®.
- c. Desconocimiento del peligro inminente.
- d. Daño fetal en mujeres encintas.
- e. Incapacidad física de salir de bañeras de Jacuzzi®.
- f. Desconocimiento trascendente que tiene como resultado el peligro de ahogar.

**ADVERTENCIA:** Riesgo de lesión fetal. Las mujeres embarazadas o que puedan estarlo deben consultar a un médico antes de utilizar una tina de hidromasaje con calentador.

**ADVERTENCIA:** El uso de alcohol, las drogas o la medicina pueden aumentar mucho el riesgo de hipertermia fatal. Las personas que tomen medicamentos o que tengan una historia clínica problemática deben consultar a un médico antes de utilizar una tina de hidromasaje con calentador.

**ADVERTENCIA:** Riesgo de hipertermia y posibilidad de ahogarse. No utilice una tina de hidromasaje con calentador inmediatamente después de hacer ejercicios intensos.

**ADVERTENCIA:** No opere esta bañera sin la protección sobre el sistema de succión.

**ADVERTENCIA:** Mantenga el cuerpo y el cabello a una distancia mínima de 6 pulgadas (1.5 m) del accesorio de succión mientras el sistema de hidromasaje esté en funcionamiento. Si el largo del cabello excede los hombros, se lo debe sujetar cerca de la cabeza.

**ADVERTENCIA:** No alterar con controles usuario-operados ni tales dispositivos.

**ADVERTENCIA:** Utiliza esta unidad solo para su uso destinado descrito como en este manual. No utilice las fijaciones no recomendados por los fabricantes.

**ADVERTENCIA:** Para evitar lesiones, tenga cuidado al entrar y salir de la tina de hidromasaje.

**ADVERTENCIA:** Riesgo de descarga eléctrica. No utilice electrodomésticos, como secadores de cabello, lámparas, teléfonos, radios o televisores, en un radio de 60 pulgadas (1524 mm) de la tina de hidromasaje.

- Ponga en funcionamiento el sistema de hidromasaje sólo cuando la bañera tenga un nivel de agua que supere en 1 a 2 pulgadas (25.4 mm a 51 mm) como mínimo a la cabeza de aire más alta.
- No llene en exceso la bañera para evitar que el panel de control quede sumergido.
- No utilice aditivos para baño a base de aceites en la bañera de hidromasaje.
- No utilice sustancias abrasivas para limpiar la bañera, ya que pueden arruinar la superficie.
- Para evitar la decoloración del acabado acrílico, no llene la tina con agua a más de 140° F (60° C).

LAS ESPECIFICACIONES DE LOS PRODUCTOS ESTÁN SUJETAS A CAMBIOS SIN AVISO.

UTILICE LAS INSTRUCCIONES DE INSTALACIÓN ENTREGADAS CON EL PRODUCTO.

La empresa ha obtenido los listados de los códigos aplicables (normas) que suelen estar disponibles a nivel nacional para productos de este tipo. Es responsabilidad del instalador o propietario determinar el cumplimiento de las normas locales específicas antes de instalar el producto. La empresa no realiza manifestaciones ni ofrece garantías con respecto al cumplimiento de ninguna norma, ni será responsable de dicho cumplimiento.

# CONTENIDO

Instrucciones Importantes de Seguridad . . . . .	62
Especificaciones . . . . .	65
Baños Rectangulares . . . . .	65
Bañeras Ovalados y Redondas . . . . .	67
Bañeras de Esquina . . . . .	68
Planta de Instalaciones . . . . .	69
Baños Rectangulares . . . . .	69
Bañeras Ovalados . . . . .	72
Bañeras de Esquina y Redondas . . . . .	73
Instalación . . . . .	74
Estructura y Soporte . . . . .	74
Ancla Correa . . . . .	74
Acceso de Servicio . . . . .	75
Recomendaciones de Espacio . . . . .	76
Instalación de la Unidad . . . . .	76
Comenzar la Instalación . . . . .	77
Conexiones Eléctricas . . . . .	78
Plomería y Suministro de Agua . . . . .	79
Información Sobre el Desagüe . . . . .	79
Plomería . . . . .	79
Suministro de Agua . . . . .	79
Información Sobre Duchas . . . . .	79
Válvula Antisifón . . . . .	79
Limpieza Después de Instalación . . . . .	79
Operación . . . . .	80
Nivel de Agua . . . . .	80
Control del Hidromasaje . . . . .	80
Operación del Panel . . . . .	81
Funciones Generales . . . . .	81
Operación Normal . . . . .	82
Calentador RapidHeat . . . . .	83
Operación . . . . .	83
Interruptor de Vacío/Presión . . . . .	83
Interruptor de Límite Máximo . . . . .	83
Limpieza de la Tina . . . . .	83
Reparaciones de la Superficie . . . . .	83
Mantenimiento . . . . .	84
Aditivos de Baño . . . . .	84
Las Cabezas que Giran (Si Aplica) . . . . .	84
Purificación del Sistema de Hidromasaje . . . . .	84
El Uso de Systems Clean . . . . .	84
Filtro/Placa Protectora de Succión . . . . .	85
Iluminación (Cromoterapia) . . . . .	85
Iluminación (Illumatherapy Opcional) . . . . .	85
Guía de Problemas Y Soluciones . . . . .	86
Servicio Autorizado . . . . .	87
Garantía Limitada . . . . .	



# ESPECIFICACIONES

## BANOS RECTANGULARES

**IMPORTANTE:** Lea todas las instrucciones antes de comenzar la instalación.

Las tinas de hidromasaje se entregan listas para instalar y completamente equipadas con la unidad de bomba/motor, el calentador y los accesorios de plomería necesarios para el funcionamiento del hidromasaje. Hay un equipo de desagüe/rebosadero opcional disponible para instalar en el baño.

Saque la tina de la caja de embalaje. Conserve la caja hasta haber revisado completamente el producto.

**PRECAUCION:** No levante la tina sujetándola por los accesorios de plomería sino por el casco.

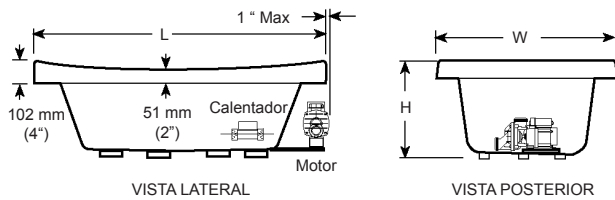
Controle el casco en cuanto lo reciba. Si detecta algún daño o desperfecto en el acabado, no instale la tina. La garantía no incluye los reclamos por daños o desperfectos en el acabado

una vez instalada la tina. La responsabilidad de Jacuzzi Whirlpool Bath por daños en el envío termina al entregar los productos en buen estado al transportista. Presente los reclamos por daños al transportista. Para obtener las definiciones de cobertura y las limitaciones de la garantía, consulte la garantía enviada con el producto.

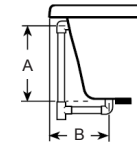
Se ha probado en la fábrica el funcionamiento de todas las tinas y el buen estado de las conexiones antes del envío.

**NOTA:** Antes de la instalación, llene la tina con agua y hágala funcionar para comprobar que no haya fugas provocadas por la incorrecta manipulación o daños ocasionados durante el envío. Jacuzzi Whirlpool Bath no se hace responsable de los desperfectos que se hubieran podido descubrir, reparar o evitar de haberse seguido este procedimiento de inspección y prueba.

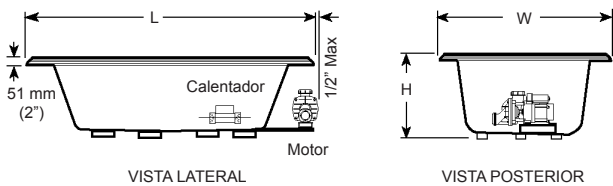
ESPAÑOL



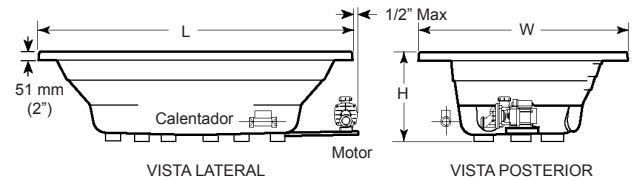
**Allusion**



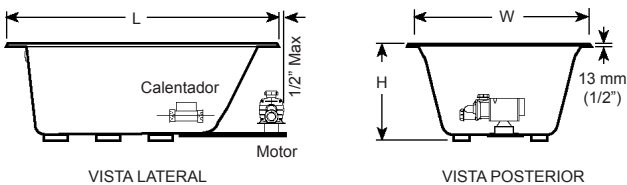
**Desagüe/Rebosadero**



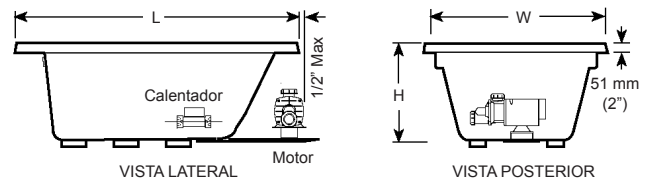
**Bellavista**



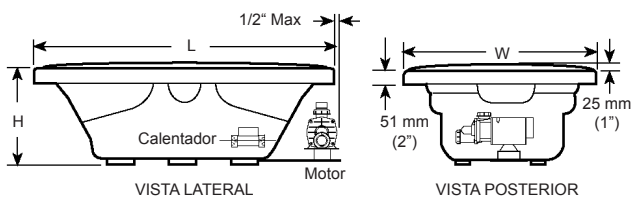
**Ciproa™, RH**



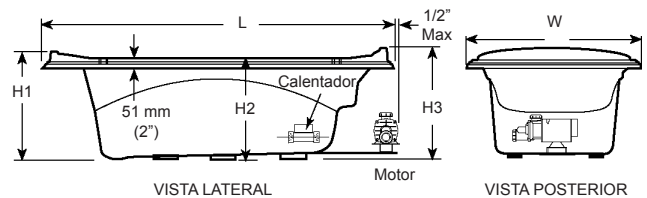
**Elara**



**Reál, RH**



**Sabella**



**Torretta 36**

## BANOS RECTANGULARES

Los galones de operaciones están en galones estadounidenses; en general las dimensiones para todas las unidades son nominales con una tolerancia de 0 a 1/4" (6.4 mm). También, RH = Mano Derecho y LH = Mano Izquierda.

MODELO	MEDIDAS	DESAGUE/ REBOSADERO	CORTE	CARGA TOTAL SOBRE EL PISO	CAPACIDAD	PESO	FALDON Y MONTAJE	CALENTADOR
Allusion™ 6636 RH	1676 mm (66") L 914 mm (36") W 660 mm (26") H	441 mm (17-3/8") A 210 mm (11-15/16") B	Proporcionado, PN: BY20000	383 kg (843 lb)/ 248 kg/m <sup>2</sup> (51 lb/ft <sup>2</sup> )	208 Lt (55 gal) min, 284 Lt (75 gal) max	61 kg (135 lb)	No disponible	Instalado, entrada (S749000)
Allusion™ 7236 RH	1829 mm (72") L 914 mm (36") W 660 mm (26") H	441 mm (17-3/8") A 210 mm (11-15/16") B	Proporcionado, PN: BY20000	489 kg (978 lb)/ 263 kg/m <sup>2</sup> (54 lb/ft <sup>2</sup> )	246 Lt (65 gal) min, 322 Lt (85 gal) max	66 kg (145 lb)	No disponible	Instalado, entrada (S749000)
Allusion™ 7242 RH	1829 mm (72") L 1067 mm (42") W 660 mm (26") H	441 mm (17-3/8") A 210 mm (11-15/16") B	Proporcionado, PN: BY20000	470 kg (1127 lb)/ 263 kg/m <sup>2</sup> (54 lb/ft <sup>2</sup> )	284 Lt (75 gal) min, 375 Lt (99 gal) max	77 kg (169 lb)	No disponible	Instalado, entrada (S749000)
Bellavista™ 5 RH	1524 mm (60") L 1067 mm (42") W 660 mm (26") H	508 mm (20") A 298 mm (11-3/4") B	Proporcionado, PN: P187000	466 kg (1026 lb)/ 288 kg/m <sup>2</sup> (59 lb/ft <sup>2</sup> )	303 Lt (80 gal)	50 kg (110 lb)	No disponible	Instalado, entrada (S749000)
Bellavista™ 5.5 RH	1676 mm (66") L 1067 mm (42") W 660 mm (26") H	508 mm (20") A 298 mm (11-3/4") B	Proporcionado, PN: P187000	490 kg (1078 lb)/ 273 kg/m <sup>2</sup> (56 lb/ft <sup>2</sup> )	322 Lt (85 gal)	56 kg (120 lb)	No disponible	Instalado, entrada (S749000)
Bellavista™ 6 RH	1829 mm (72") L 1067 mm (42") W 660 mm (26") H	508 mm (20") A 298 mm (11-3/4") B	Proporcionado, PN: P187000	514 kg (1130 lb)/ 263 kg/m <sup>2</sup> (54 lb/ft <sup>2</sup> )	341 Lt (90 gal)	59 kg (130 lb)	No disponible	Instalado, entrada (S749000)
Ciprea™ RH	1829 mm (72") L* 1219 mm (48") W 521 mm (20-1/2") H	413 mm (16-3/4") A 343 mm (13-1/2") B	NA	407 kg (895 lb)/ 180 kg/m <sup>2</sup> (37 lb/ft <sup>2</sup> )	216 Lt (57 gal)	77 kg (170 lb)	Integrado	Instalado, entrada (S749000)
Elara™ 6042 LH y RH	1524 mm (60") L 1067 mm (42") W 597 mm (23-1/2") H	470 mm (18.5") A 269 mm (10.6") B	1473 x 1016 mm (58 x 40"), Proporcionado, undermount, PN: DQ50000	512 kg (1126 lb)/ 319 kg/m <sup>2</sup> (65.4 lb/ft <sup>2</sup> )	314 Lt (83 gal) min, 348 Lt (92 gal) max	91 kg (200 lb)	No disponible	Instalado, entrada (S749000)
Elara™ 6636 LH y RH	1676 mm (66") L 914 mm (36") W 597 mm (23-1/2") H	470 mm (18.5") A 269 mm (10.6") B	1626 x 864 mm (64 x 34"), Proporcionado, undermount, PN: DQ51000	472 kg (1039 lb)/ 307 kg/m <sup>2</sup> (63 lb/ft <sup>2</sup> )	284 Lt (75 gal) min, 314 Lt (83 gal) max	91 kg (200 lb)	No disponible	Instalado, entrada (S749000)
Elara™ 7242 LH y RH	1829 mm (72") L 1067 mm (42") W 597 mm (23-1/2") H	470 mm (18.5") A 269 mm (10.6") B	1778 x 1016mm (70 x 40"), Proporcionado, undermount, PN: BZ5000	611 kg (1345 lb)/ 312 kg/m <sup>2</sup> (64 lb/ft <sup>2</sup> )	360 Lt (95 gal) min, 398 Lt (105 gal) max	98 kg (215 lb)	No disponible	Instalado, entrada (S749000)
Real™ RH	1829 mm (72") L* 1067 mm (42") W 584 mm (23") H	508 mm (20") A 356 mm (356") B	1778 x 1016 mm (70 x 40")	514 kg (1130 lb)/ 263 kg/m <sup>2</sup> (54 lb/ft <sup>2</sup> )	341 Lt (90 gal)	59 kg (130 lb)	No disponible	Instalado, entrada (S749000)
Sabella™ RH	1829 mm (72") L 1194 mm (47") W 584 mm (23-3/4") H	508 mm (20") A 356 mm (14") B	Proporcionado, PN: P187000	545 kg (1199 lb)/ 249 kg/m <sup>2</sup> (51 lb/ft <sup>2</sup> )	371 Lt (98 gal)	60 kg (133 lb)	No disponible	Instalado, entrada (S749000)
Torretta™ 36	1829 mm (72") L 892 mm (35-1/8") W 581 mm (22-7/8") H1 533 mm (21") H2 597 mm (23-1/2") H3	459 mm (18-3/16") A 381 mm (15") B	Proporcionado, PN: P652000	431 kg (948 lb)/ 263 kg/m <sup>2</sup> (54 lb/ft <sup>2</sup> )	265 Lt (70 gal)	52 kg (115 lb)	No disponible	Instalado, entrada (S749000)

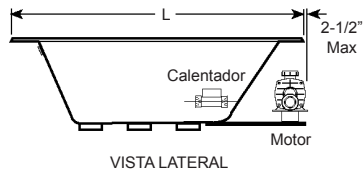
\*Agregue ¼ pulg. (6,35 mm) a esta medida cuando instale la tina en un nicho con tres paredes.

**PARA TODAS LAS UNIDADES:** Requisitos eléctricos: Todas requieren un circuito independiente protegido con un GFCI dedicado.  
RapidHeat™: 120 VAC, 15 AMP, 60 Hz con circuito independiente protegido con un GFCI dedicado.  
Bomba/motor: 120 VAC, 20 AMP, 60 Hz con circuito independiente protegido con un GFCI dedicado.

ESPAÑOL

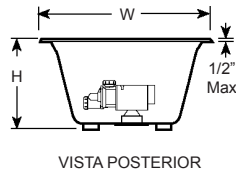
## BAÑERAS OVALADAS Y REDONDAS

Los galones de operaciones están en galones estadounidenses; en general las dimensiones para todas las unidades son nominales con una tolerancia de 0 a 1/4" (6.4 mm). También, RH = Mano Derecho y LH = Mano Izquierda.

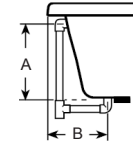


VISTA LATERAL

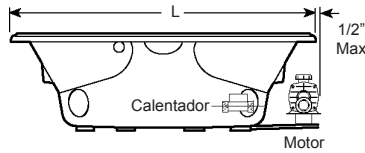
Duetta™



VISTA POSTERIOR

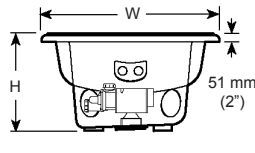


Desagüe/Rebosadero

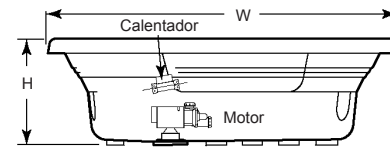


VISTA LATERAL

Venicia™



VISTA POSTERIOR



Cortina™

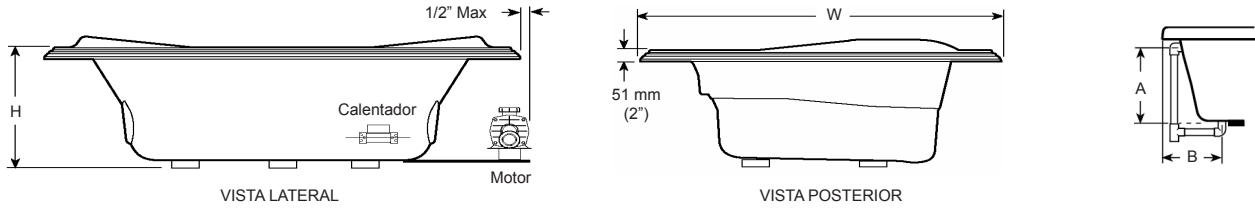
MODELO	MEDIDAS	DESAGUE/ REBOSADERO	CORTE	CARGA TOTAL SOBRE EL PISO	CAPACIDAD	PESO	FALDON Y MONTAJE	CALENTADOR
Cortina™ RH	1829 mm (72") L 1829 mm (72") W 565 mm (22-1/4") H	426 mm (16-3/4") A 489 mm (19-1/4") B	1778 mm Diameter hole (70")	588 kg (1293 lb)/ 176 kg/ (m <sup>2</sup> 36 lb/ft <sup>2</sup> )	379 Lt (100 gal)	95 kg (210 lb)	Non disponible	Instalado, descarga (U394000 )
Duetta™ 6042 RH	1524 mm (60") L 1067 mm (42") W 660 mm (26") H	467 mm (18.4") A 279 mm (11") B	Template provided, PN: DA09000	454 kg (999 lb)/ 278 kg/m <sup>2</sup> (57.1 lb/ft <sup>2</sup> )	291 Lt (77 gal) min, 314 Lt (83 gal) max	50 kg (110 lb)	Non disponible	Instalado, entrada (S749000)
Duetta™ 6636 RH	1676 mm (66") L 914 mm (36") W 660 mm (26") H	467 mm (18.4") A 279 mm (11") B	Template provided, PN: DA08000	463 kg (1019 lb)/ 301 kg/m <sup>2</sup> (61.8 lb/ft <sup>2</sup> )	284 Lt (75 gal) min, 303 Lt (80 gal) max	82 kg (180 lb)	Non disponible	Instalado, entrada (S749000)
Duetta™ 6642 RH	1676 mm (66") L 1067 mm (42") W 660 mm (26") H	467 mm (18.4") A 279 mm (11") B	Template provided, PN: DA07000	503 kg (1106 lb)/ 280 kg/m <sup>2</sup> (57.5 lb/ft <sup>2</sup> )	341 Lt (90 gal) min, 360 Lt (95 gal) max	53 kg (117 lb)	Non disponible	Instalado, entrada (S749000)
Duetta™ 7242 RH	1829 mm (72") L 1067 mm (42") W 660 mm (26") H	467 mm (18.4") A 279 mm (11") B	Template provided, PN: DA06000	581 kg (1277 lb)/ 296 kg/m <sup>2</sup> (60.8 lb/ft <sup>2</sup> )	371 Lt (98 gal) min, 401 Lt (106 gal) max	59 kg (130 lb)	Non disponible	Instalado, entrada (S749000)
Venicia™ RH	1829 mm (72") L 1067 mm (42") W 584 mm (23") H	508 mm (20") A 356 mm (14") B	Template provided, PN: P187000	514 kg (1130 lb)/ 263 kg/m <sup>2</sup> (54 lb/ft <sup>2</sup> )	341 Lt (90 gal)	59 kg (130 lb)	Non disponible	Instalado, entrada (S749000)

\*Agregue 1/4 pulg. (6.35 mm) a esta medida cuando instale la tina en un nicho con tres paredes.

PARA TODAS LAS UNIDADES: Requisitos eléctricos: Todas requieren un circuito independiente protegido con un GFCI dedicado.  
RapidHeat™: 120 VAC, 15 AMP, 60 Hz con circuito independiente protegido con un GFCI dedicado.  
Bomba/motor: 120 VAC, 20 AMP, 60 Hz con circuito independiente protegido con un GFCI dedicado.

## BANOS DE ESQUINA

Los galones de operaciones están en galones estadounidenses; en general las dimensiones para todas las unidades son nominales con una tolerancia de 0 a 1/4" (6.4 mm). También, RH = Mano Derecho y LH = Mano Izquierda.



**Bellavista™ Corner, RH**

**Desagüe/Rebosadero**

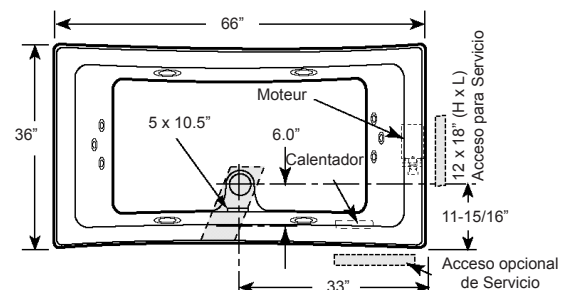
MODELO	MEDIDAS	DESAGUE/ REBOSADERO	CORTE	CARGA TOTAL SOBRE EL PISO	CAPACIDAD	PESO	FALDON Y MONTAJE	CALENTADOR
Bellavista™ Esquina, RH	1524 mm (60") L 1524 mm (60") W 553 mm (21-3/4") H	479 mm (18-7/8") A 356 mm (14") B	Provisionado, PN: P654000	475 kg (1046 lb)/ 205 kg/m <sup>2</sup> (42 lb/ft <sup>2</sup> )	303 Lt (80 gal)	59 kg (130 lb)	No disponible	Instalada, entrada (S749000)
<p>*Agregue ¼ pulg. (6.35 mm) a esta medida cuando instale la tina en un nicho con tres paredes.</p> <p>PARA TODAS LAS UNIDADES: Requisitos eléctricos: Todas requieren un circuito independiente protegido con un GFCI dedicado.</p> <p>RapidHeat™: 120 VAC, 15 AMP, 60 Hz con circuito independiente protegido con un GFCI dedicado.</p> <p>Bomba/motor: 120 VAC, 20 AMP, 60 Hz con circuito independiente protegido con un GFCI dedicado.</p>								

ESPAÑOL

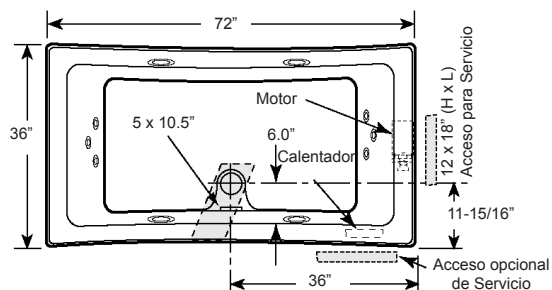
# PLANTA DE INSTALACIONES

## BANOS RECTANGULARES

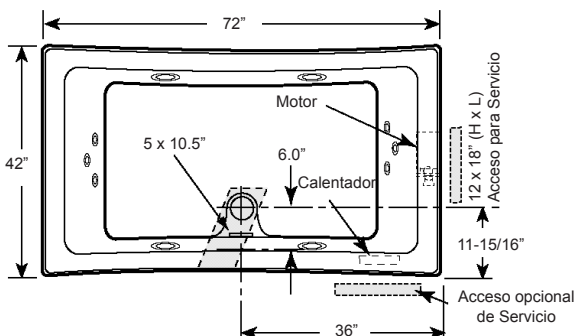
Algunas tinas son suministradas de plantilla de recorte o plantilla undermount. Refiérase a la sección de Especificaciones para número de parte del corte.



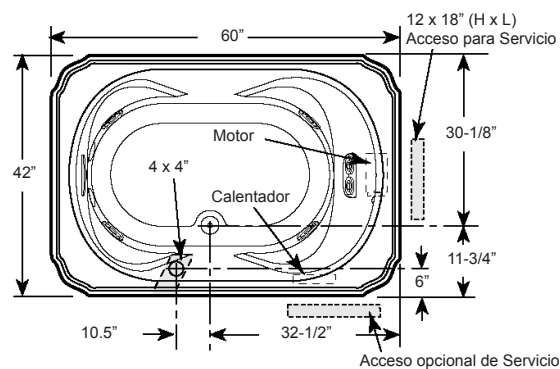
**Allusion™ 6636, RH**



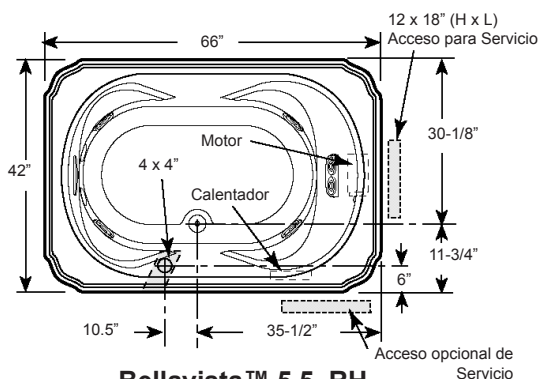
**Allusion™ 7236, RH**



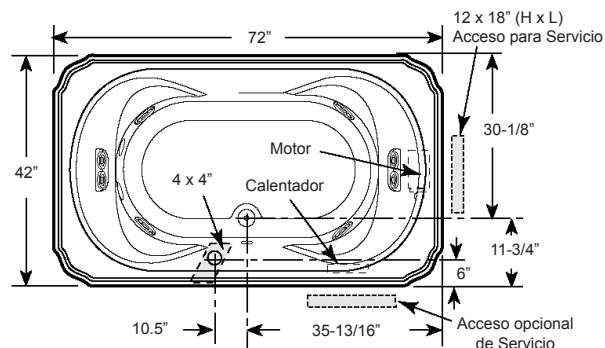
**Allusion™ 7242, RH**



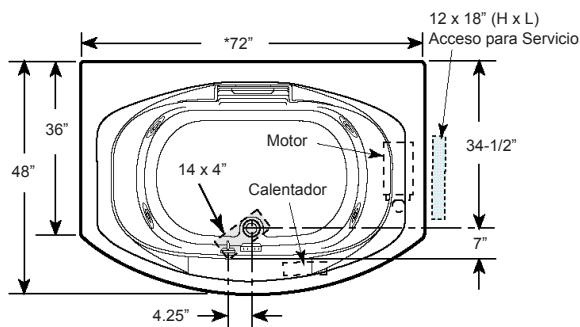
**Bellavista™ 5, RH**



**Bellavista™ 5.5, RH**



**Bellavista™ 6, RH**



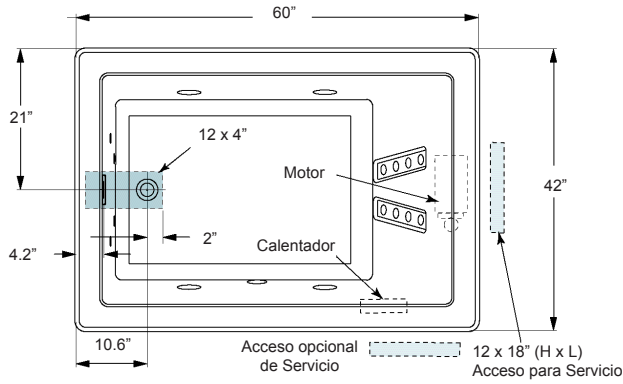
\*Añada 1/4 pulg. (6.4 mm) a esta medida al instalar las unidades de 3 muros.

1. Las medidas que aparecen adentro de la unidad representan el corte necesario en el piso para la instalación de desagüe/rebosadero.
2. Todas las medidas vienen en pulgadas; para convertirlas a milímetros, multiplique por 25.4.
3. Mantenga las dimensiones del acceso dadas son tamaño mínimo.
4. Las dimensiones en general son nominales con una tolerancia de +0 y -1/4 pulg. (+0 y -6.4 mm).

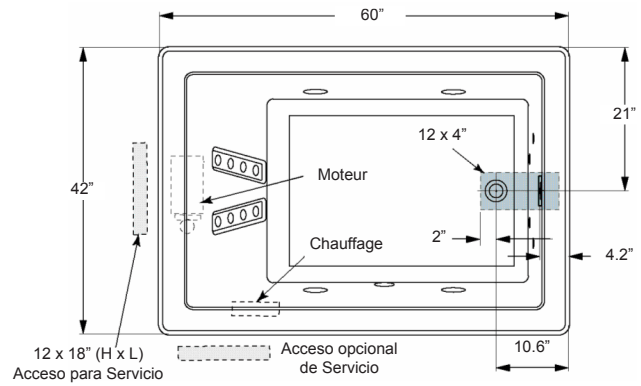
ESPAÑOL

## BANOS RECTANGULARES

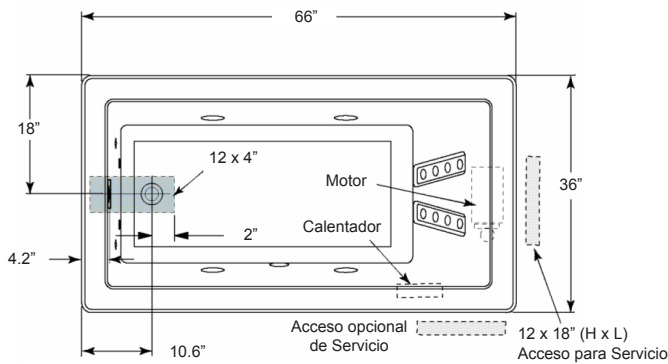
Algunas tinas son suministradas de plantilla de recorte o plantilla undermount. Refiérase a la sección de Especificaciones para número de parte del corte.



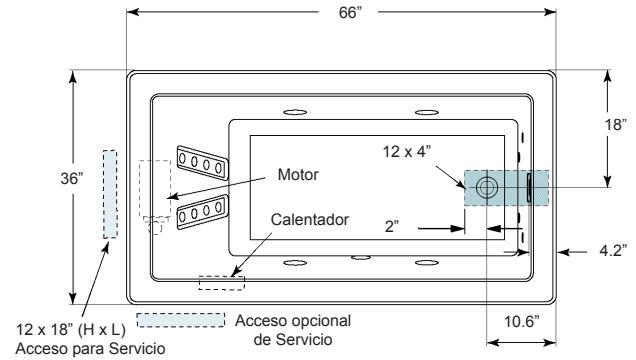
**Elara™ 6042, LH**



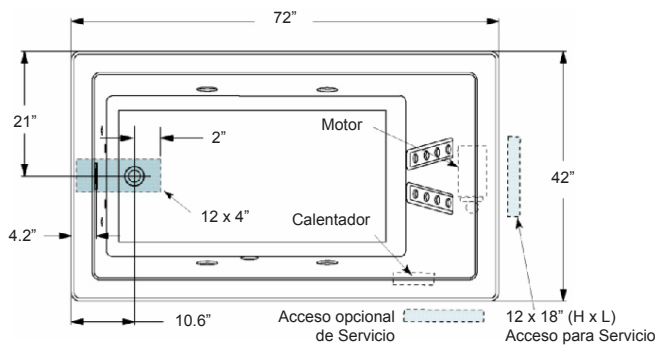
**Elara™ 6042, RH**



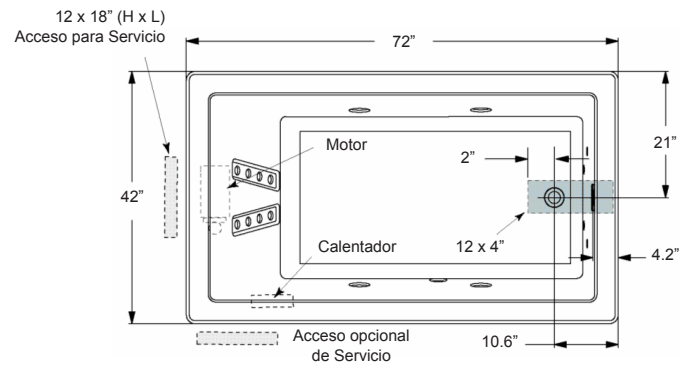
**Elara™ 6636, RH**



**Elara™ 6636, LH**



**Elara™ 7242, RH**



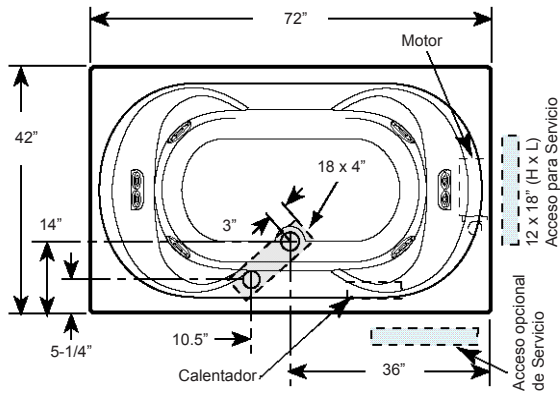
**Elara™ 7242, LH**

\*Añada 1/4 pulg. (6.4 mm) a esta medida al instalar las unidades de 3 muros.

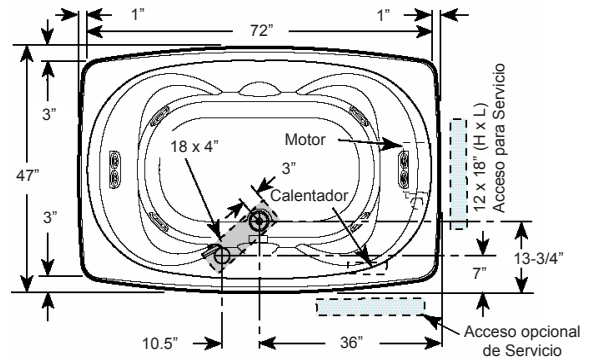
1. Las medidas que aparecen adentro de la unidad representan el corte necesario en el piso para la instalación de desagüe/rebosadero.
2. Todas las medidas vienen en pulgadas; para convertirlas a milímetros, multiplique por 25.4.
3. Mantenga las dimensiones del acceso dadas son tamaño mínimo.
4. Las dimensiones en general son nominales con una tolerancia de +0 y -1/4 pulg. (+0 y -6.4 mm).

## BANOS RECTANGULARES

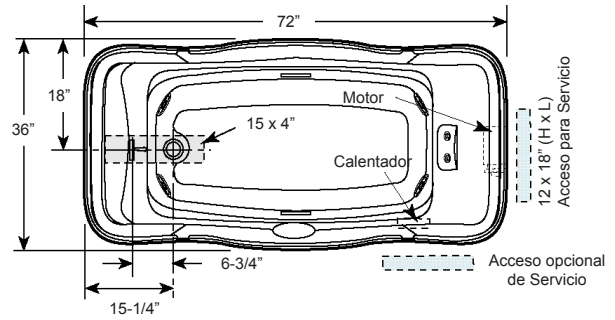
Algunas tinas son suministradas de plantilla de recorte o plantilla undermount. Refiérase a la sección de Especificaciones para número de parte del corte.



**Reál™, RH**



**Sabella™, RH**



**Torretta™ 36, LH**

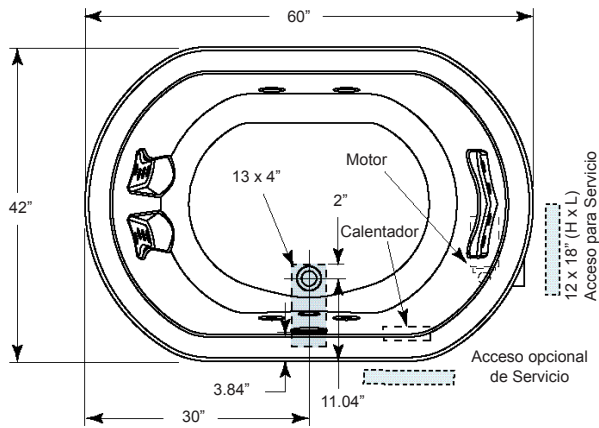
\*Añada 1/4 pulg. (6.4 mm) a esta medida al instalar las unidades de 3 muros.

1. Las medidas que aparecen adentro de la unidad representan el corte necesario en el piso para la instalación de desagüe/rebosadero.
2. Todas las medidas vienen en pulgadas; para convertirlas a milímetros, multiplique por 25.4.
3. Mantenga las dimensiones del acceso dadas son tamaño mínimo.
4. Las dimensiones en general son nominales con una tolerancia de +0 y -1/4 pulg. (+0 y -6.4 mm).

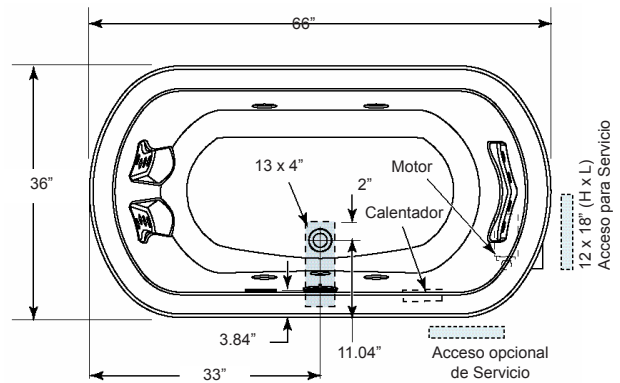
ESPAÑOL

## BAÑERAS OVALADAS

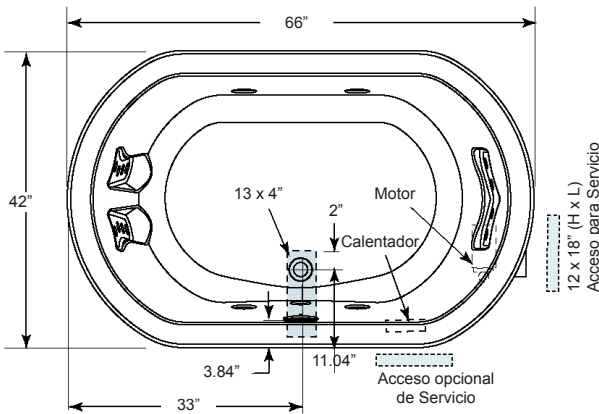
Algunas tinas son suministradas de plantilla de recorte o plantilla undermount. Refiérase a la sección de Especificaciones para número de parte del corte.



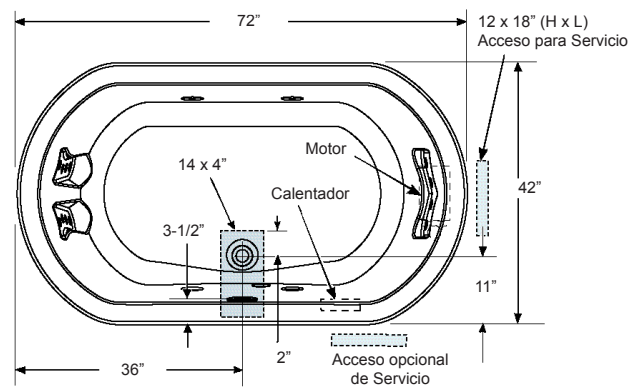
**Duetta 6042**



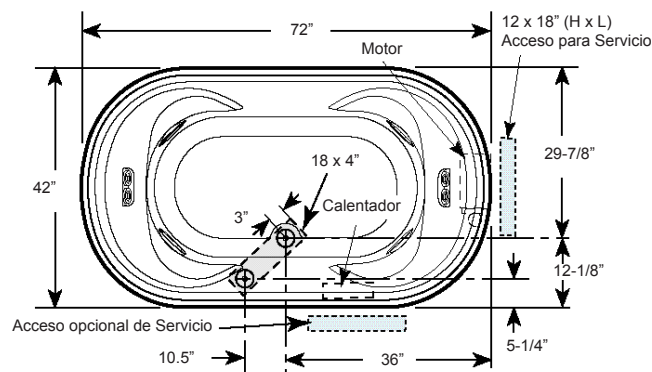
**Duetta 6636**



**Duetta 6642**



**Duetta 7242**



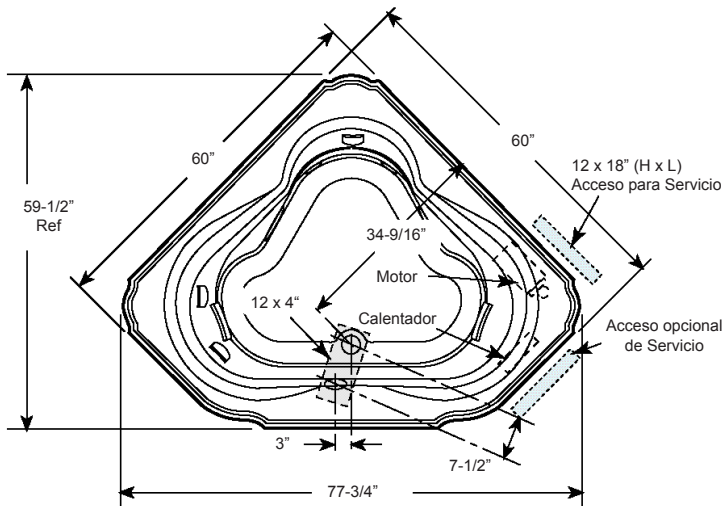
**Venicia™, RH**

\*Añada 1/4 pulg. (6.4 mm) a esta medida al instalar las unidades de 3 muros.

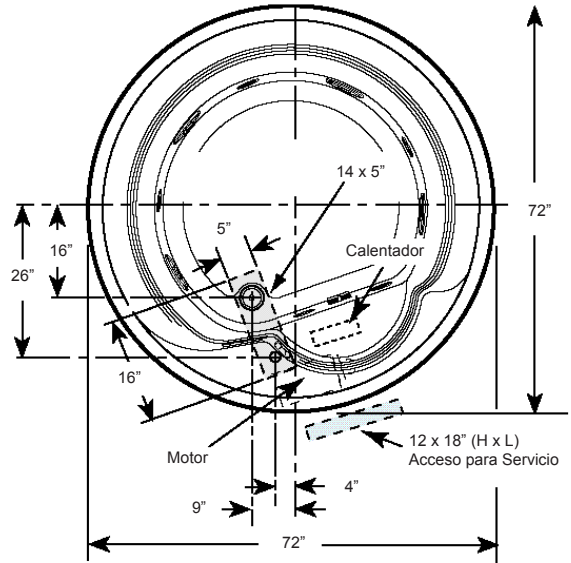
1. Las medidas que aparecen adentro de la unidad representan el corte necesario en el piso para la instalación de desagüe/rebosadero.
2. Todas las medidas vienen en pulgadas; para convertirlas a milímetros, multiplique por 25.4.
3. Mantenga las dimensiones del acceso dadas son tamaño mínimo.
4. Las dimensiones en general son nominales con una tolerancia de +0 y -1/4 pulg. (+0 y -6.4 mm).



## BAÑERAS DE ESQUINA Y REDONDAS



**Bellavista™ Corner, RH**



**Cortina™, RH**

\*Añada 1/4 pulg. (6.4 mm) a esta medida al instalar las unidades de 3 muros.

1. Las medidas que aparecen adentro de la unidad representan el corte necesario en el piso para la instalación de desagüe/rebosadero.
2. Todas las medidas vienen en pulgadas; para convertirlas a milímetros, multiplique por 25.4.
3. Mantenga las dimensiones del acceso dadas son tamaño mínimo.
4. Las dimensiones en general son nominales con una tolerancia de +0 y -1/4 pulg. (+0 y -6.4 mm).

# INSTALACION

## ESTRUCTURA Y SOPORTE

La instalación del desagüe y del rebosadero se extiende por debajo de la parte inferior de la bañera. Cabe señalar que para esto se requiere hacer un corte en el piso.

La estructura del piso debajo de la bañera debe poder soportar el peso total de la bañera, el agua, y el ocupante. Consulte el cuadro correspondiente al peso total de su modelo. La unidad tiene que estar soportada por la parte inferior de la bañera y no del borde o pestaña de la misma. Si el subsuelo es plano y posee una superficie continua ninguna otra preparación es necesaria. Entonces, usted puede continuar con la instalación de la bañera. En cambio, si el subsuelo no está nivelado, usted tiene que nivelar toda la superficie antes de instalar la bañera. El uso de materiales de relleno o que permiten una instalación a nivel, son permitidos siempre y cuando el método que se use garantice una bañera nivelada y debidamente sujeta por debajo. Los materiales que se pueden utilizar son: un compuesto de nivelación para piso, mortero, yeso de construcción, o espuma de mínima expansión estructural con una densidad de un mínimo de 5 lb/pie cúbico; sin embargo el baño debe mantenerse nivelado para garantizar una apropiada descarga y que todos

los pies de espuma hagan total contacto con la materia que nivela. Ambos lados de la junta o empalmes del subsuelo deben estar nivelados. Al fijar la bañera al muro, utilizando pestañas, use planchas de relleno para salvar cualquier espacio entre las pestañas de la bañera y el muro.

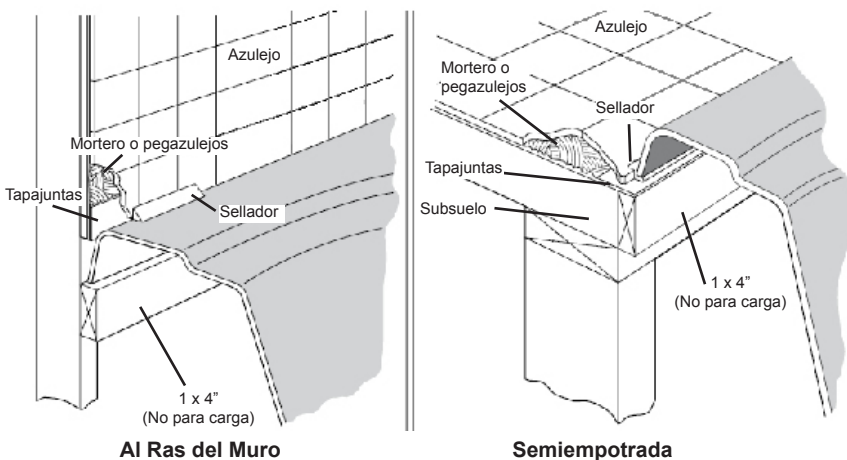
El borde de la bañera no está hecho para soportar peso. Si el material de recubrimiento va a estar en contacto con la bañera o sobrepuesto, el peso adicional no debe recaer sobre ella.

El plástico protector debe permanecer dentro de la bañera durante la instalación. Antes de la instalación remueva el plástico, inspeccione que la bañera no tenga daños o defectos, coloque nuevamente el plástico ya que, éste protege la superficie de daños ocasionados por zapatos, herramienta, etc. Finalmente retírelo al completar la instalación y hacer la limpieza final.

**IMPORTANTE:** Si se ha de utilizar un faldón, éste deberá instalarse cuando se esté instalando la unidad. - Consulte las instrucciones de instalación del faldón. Cuando se haya completado toda la instalación, instale las partes opcionales de las vestiduras.

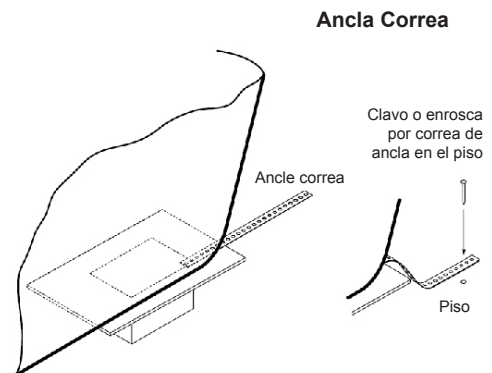
ESPAÑOL

## Instalaciones Típicas



## ANCLA CORREA

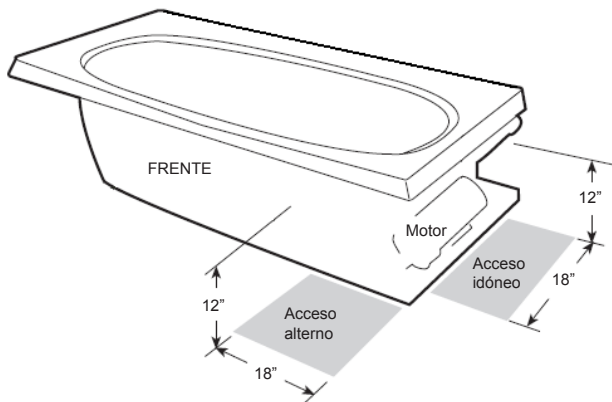
Para una tina que se baja en posición, se equipa con correas de ancla metálica. La tina puede ser anclada al piso para reducir el movimiento durante tiempo de curación de mosaico. Si se utiliza motero o materia semejante, estas correas no se necesitan.



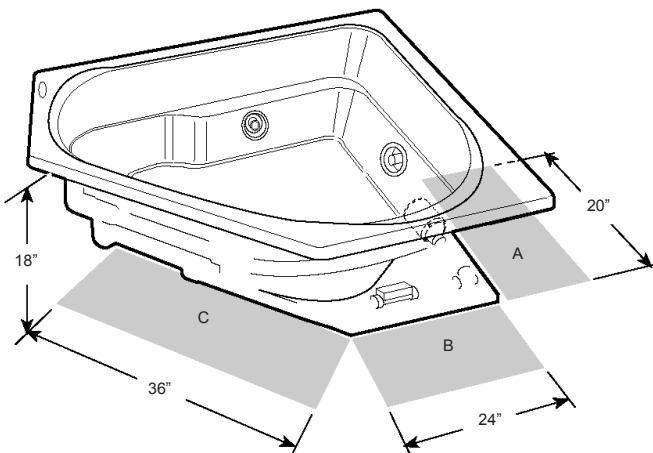
## ACCESO DE SERVICIO (Tina de Esquina y Regular)

En el caso de instalaciones parciales o totalmente empotradas, deje un acceso a las conexiones de servicio. Es responsabilidad del instalador dejar espacio suficiente para el registro. Las medidas mínimas recomendables permitidas para el registro de la bañera se muestran en la ilustración que lleva el nombre de "Acceso para servicio sin faldón".  
Provea el área adecuada alrededor de la bañera para permitir la circulación del aire, el enfriamiento del motor y para proveer aire suficiente a las boquillas de salida de agua. No ponga aislamiento en esta área o alrededor del motor.

### Acceso de Servicio (Tina Rectangular)

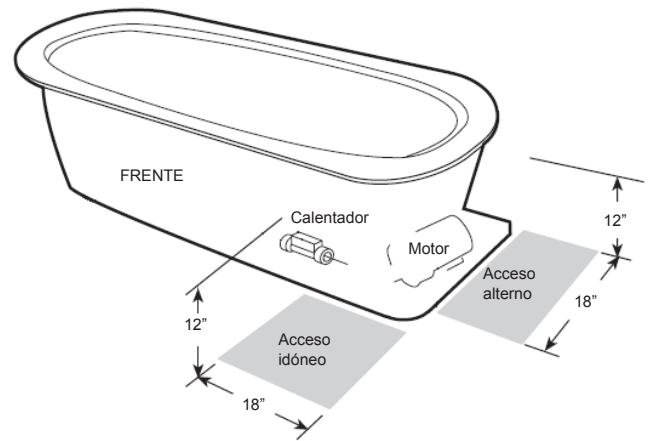


### Acceso de Servicio (Tina de Esquina)



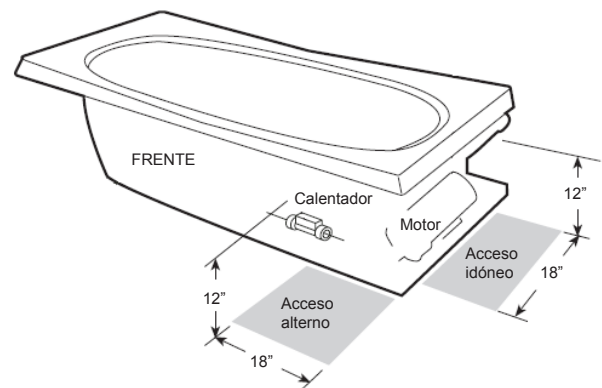
El baño Duetta Whirlpool debería tener acceso como mostrado abajo

### Acceso de Servicio de Duetta (Sin Falda)



El baño Allusion Whirlpool debería tener acceso como mostrado abajo.

### Acceso de Servicio de Allusion



En algunos casos, puede ser que no hay acceso de servicio por el diseño del ambiente. Fue instalado sabiendo que puede ser necesario quitar la unidad para completar servicio.

En este caso, puede ser imposible diagnosticar un problema sin acceso completo al sistema de plomería, y es necesario quitar la unidad de su lugar. Aunque no es común, es un método aceptable.

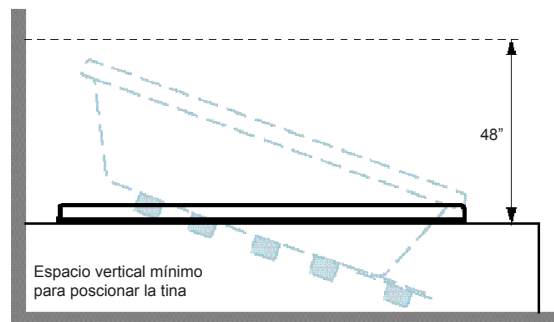
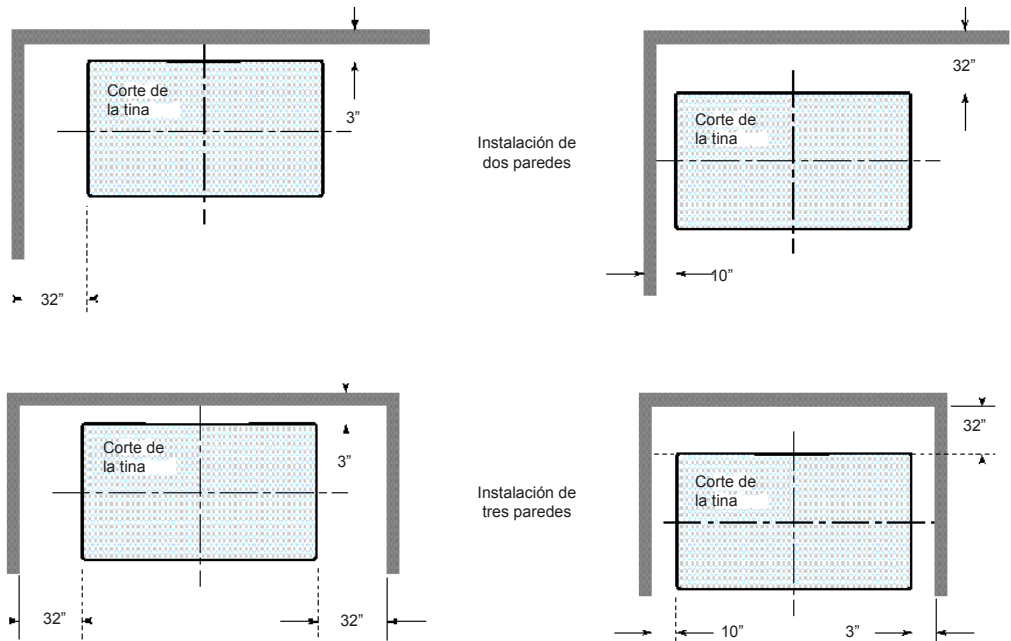
**NOTA:** En algunos casos, el Acceso Preferido puede haber sido proveído. Si se requiere el Acceso Alternativo, hay que quitar la unidad para servicio y después instalarlo de nuevo.

En el caso que acceso no fue proveído, es la responsabilidad del dueño de casa quitar la tina para proveer acceso requerido si servicio es necesario.

## Recomendaciones de Espacio

### RECOMENDACIONES DE ESPACIO

El espacio recomendado abajo para la instalación es para asegurar que el instalador tiene suficiente espacio para trabajar yu instalar la tina. La tina Luxury tiene sus sistema eléctrica, de plomería, y luces instalados. No levanta la tina nunca por la plomería o alambres para nada, solo por la cáscara de la tina.



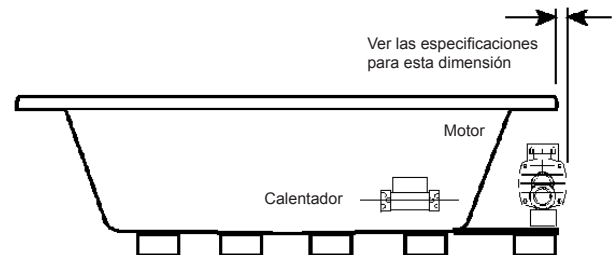
### INSTALACIÓN DE LA UNIDAD

Notar que el motor extiende más allá del borde de la tina una medida máxima de 25 mm (1 pulgada). Cuidado al bajar la tina en el recorte para prevenir la herida al instalador, herida a los dedos, daño a la tina y su acabado fino, y los componentes.

El espacio alrededor de la tina es necesario para el instalador, ver Recomendaciones de Espacio. Daño a la cáscara, plomería, alambrado, iluminación, y demás componentes, debido al fracaso de observar el espacio recomendado, no es responsabilidad de Jacuzzi® Whirlpool Bath.

Toda la preparación del plataforma para la tina debe estar completo antes de instalación. Utilizar el patrón proporcionado. El área del suelo dentro del patrón al altura del plataforma no puede exceder la especifición de altura para la tina. Proteger la tina y su acabado fino de todo daño durante la instalación.

Apagar el suministro de energía para los circuitos dedicados protegidos por GFCI.

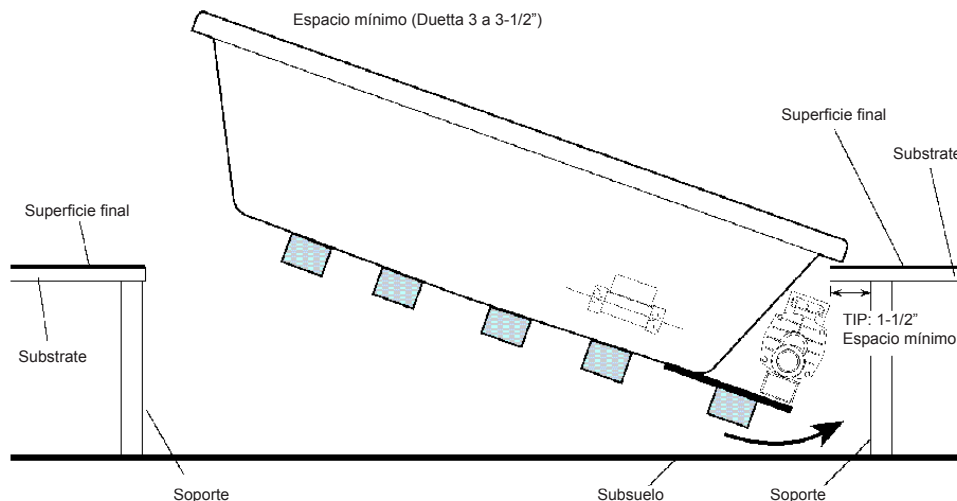
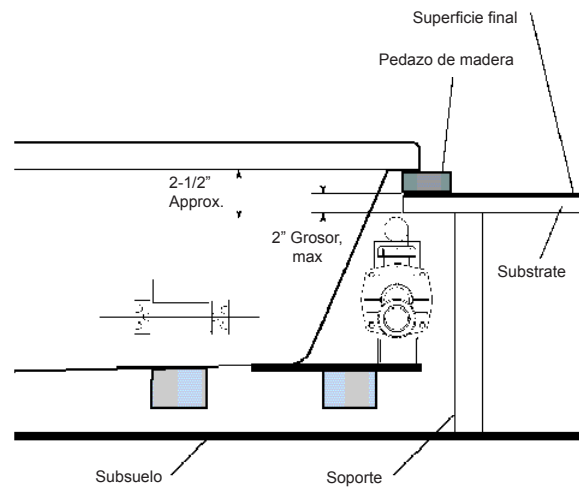
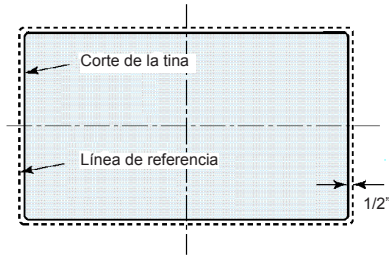


## COMENZAR LA INSTALACIÓN

1. Usar un plumón de tinta no permanente para hacer una línea de referencia. Poner la línea 25.4 mm (1 pulgada) fuera del borde del patrón del plataforma, para alineamiento final de la tina.

**PRECAUCION:** Instalar todo equipo final, grifo, o otros componentes de la tina antes de instalar.

2. Para instalar la unidad, insertar primero el lado del motor y bajarla hacia la abertura del corte del patrón, como muestra la ilustración abajo. No mover o bajar la unidad por la plomería ni las cables. Usar la cáscara de la tina para bajar la unidad. El espacio bajo es sustrato se requiere para la circulación de aire.
3. Colocar una pieza de madera bajo cada esquina de la tina para soportarla temporalmente. Ahora inspeccionar todo la plomería, accesorios, líneas y cables para asegurar que no hay daño. No debe haber desconexiones ni contacto con la tina. También inspeccionar los áreas que soporten la tina.
4. Conectar las líneas flexibles para agua al grifo.
5. Conectar las líneas para los circuitos dedicados protegidos por GFCI.
6. Quitar todo equipo y materiales desde el área abajo de la tina. Cuidar que los dedos no se lastiman, y levanta poquito un lado de la tina para quitar la madera temporal. Bajar la tina con quitadado hasta que hay contacto con la plataforma.  
Hacer igual con el otro lado de la tina, quitando la madera y bajando ese lado de la tina en su lugar. Utilizar la línea de referencia para alinear la tina sobre el corte del patrón.
7. Conectar la línea de desagüe.
8. Encender la energía a los circuitos dedicados protegidos por GFCI.
9. Inspeccionar para fugas y para operación correcta para el sistema de hidromasaje.



## CONEXIONES ELÉCTRICAS

Se requieren circuitos independientes, protegidos cada uno por un interruptor de circuito por falla de tierra o disyuntor diferencial (GFCI), para el conjunto bomba/motor y el calentador RapidHeat™. Consulte las especificaciones eléctricas de cada modelo en las páginas 2 a 4. Instale tomacorrientes dúplex en la pared debajo de la tina, por lo menos 4 pulgadas (10,15 cm) arriba del piso o de acuerdo con las normas eléctricas o de construcción locales. No se suministran los tomacorrientes dúplex. Si desea un temporizador opcional para 115 VAC, puede solicitarlo a Jacuzzi® Whirlpool Bath.

Las tinas con tableros de control electrónico combinan los requisitos eléctricos del conjunto bomba/motor con los controles electrónicos en una caja de control. En estas unidades, el cable de alimentación del conjunto bomba/motor se conecta a la caja de control. El cable de alimentación de la caja de control debe estar conectado al circuito con GFCI de 20 AMP.

Antes de instalar las conexiones eléctricas, controle las placas de datos del conjunto bomba/motor y el calentador y verifique que se cumplan los requisitos de servicio de 120 VAC, 20 AMP y 15 AMP. Los circuitos con GFCI deben cumplir estos requisitos. Controle cuidadosamente que se conecte el cable de alimentación de 20 AMP de la caja de control o el conjunto bomba/motor ÚNICAMENTE al circuito con GFCI de 20 AMP y el cable de alimentación de 15 AMP del calentador

ÚNICAMENTE al circuito con GFCI de 15 AMP. NO permute los cables de alimentación y los circuitos con GFCI.

Conecte el calentador con un cable de cobre macizo No. 8 al tablero eléctrico de la vivienda o a una conexión local aprobada. El calentador tiene un terminal de conexión a tierra. Conecte el conjunto bomba/motor al tablero eléctrico de la vivienda o a una conexión local aprobada con otro cable de cobre macizo No. 8. El conjunto bomba/motor tiene un terminal de conexión a tierra.

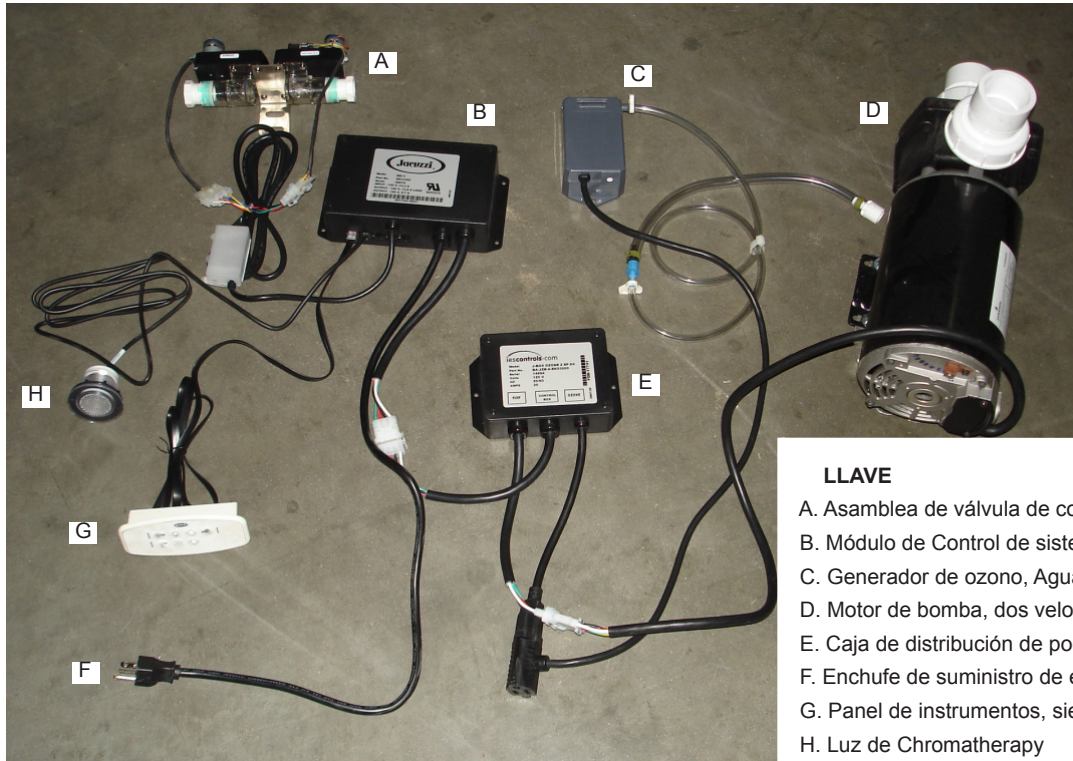
Al hacer funcionar el calentador por primera vez y antes de cada uso de allí en adelante, presione el botón de prueba del GFCI de cada circuito con el suministro de energía conectado. Debe saltar el botón de reinicio. Presiónelo para que se reinicie. Si el interruptor no funciona de este modo, hay corriente a tierra que fluye o un dispositivo que falla, lo que indica la posibilidad de una descarga eléctrica. Corte el suministro de energía y no utilice la tina hasta identificar y corregir el origen del problema.

**PELIGRO:** Riesgo de Descarga Eléctrica. Haga la conexión sólo a un circuito protegido por un interruptor de circuito por falla de tierra (GFCI).

**PRECAUCIÓN:** Si pone en funcionamiento el conjunto bomba/motor sin que haya suficiente cantidad de agua en la tina, se pueden producir fugas y daños permanentes a la bomba. Antes de aplicar energía eléctrica a la instalación, asegúrese de que el interruptor esté en la posición OFF (APAGADO) para evitar que se dañe la bomba.

## LUXURY WHIRLPOOL DIAGRAMA DE INTERCONEXIÓN

La interconexión del equipo de Luxury Whirlpool es mostrada en la figura siguiente. Esto muestra la única manera aceptable en la cual los componentes de sistema pueden ser interconectados para la operación eficiente y segura. Si el equipo no es configurado como mostrado en la figura, el equipo puede no funcionar o esto puede causar el daño al equipo.



### LLAVE

- A. Asamblea de válvula de control aérea
- B. Módulo de Control de sistema
- C. Generador de ozono, Agua
- D. Motor de bomba, dos velocidades, 115 VAC
- E. Caja de distribución de poder para motor de bomba y ozono
- F. Enchufe de suministro de energía, 115 VAC, 20 A
- G. Panel de instrumentos, siete botones
- H. Luz de Chromatherapy

## PLOMERÍA Y SUMINISTRO DE AGUA

Detalles de el drenaje, plomería, y suministra de agua están presentados abajo.

### Información sobre el desagüe

Se debe instalar en la tina una unidad de desagüe/rebosadero (que se vende por separado), verificar que no presente fugas y conectarla al sistema sanitario de la vivienda. Después de abrir la caja de embalaje, verifique que no tenga daños y controle que el acabado sea el correcto. Para proteger el acabado de las guarniciones, la pestaña, el filtro, la placa protectora del rebosadero y los tornillos de la placa vienen en un paquete separado de la unidad de desagüe/rebosadero de Jacuzzi® Whirlpool Bath. Siga las instrucciones de instalación incluidas en la unidad de desagüe/rebosadero. Después de instalar el desagüe, controle que drene correctamente. Si no es así, solucione el problema antes de continuar con la instalación. Jacuzzi® Whirlpool Bath no se hace responsable de los costos de extracción y/o reinstalación.

**NOTA:** Es responsabilidad del instalador que la instalación del desagüe no presente fugas. Las pérdidas del desagüe no están incluidas en la garantía de este producto ofrecida por Jacuzzi® Whirlpool Bath.

### Plomería


La bomba, las boquillas y los accesorios de succión del sistema de hidromasaje se conectan en la fábrica con tuberías de PVC clasificación 40.

Todos los productos Jacuzzi® Whirlpool Bath se prueban en la fábrica antes de su envío para verificar que funcionen correctamente y que las conexiones no tengan fugas. Si detecta fugas, notifique al distribuidor de Jacuzzi® Whirlpool Bath. No instale la unidad.

### Suministro de Agua

Consulte a las autoridades locales cuáles son los requisitos establecidos por las normas de plomería en su zona.

**IMPORTANTE:** Es responsabilidad del instalador colocar correctamente las boquillas de llenado y cumplir con las normas locales. La garantía de Jacuzzi® Whirlpool Bath no cubre las conexiones de las cañerías y accesorios de suministro de agua, los sistemas de llenado ni los sistemas de desagüe/rebosadero. Tampoco se responsabiliza de los daños producidos a la tina durante la instalación.

 **PRECAUCIÓN:** Debe colocarse una barrera protectora ininflamable entre el trabajo de soldadura y la tina para evitar que se dañe.

## Información Sobre Duchas

Debido al exclusivo diseño del contorno de estas tinas, no se puede instalar fácilmente una puerta rígida para ducha. Si desea colocar una ducha, recomendamos que instale una ducha de mano y una cortina para ducha, de modo que el usuario pueda controlar la dirección del rociador.

**NOTA:** Es responsabilidad del instalador colocar correctamente la ducha. Jacuzzi® Whirlpool Bath no se responsabiliza por daños en la unidad ni por los producidos por el agua durante la instalación.

### Válvula Antisifón

Instalación de una válvula antisifón opcional. Dicha válvula no está incluida con la tina. Consulte los requisitos de las normas de plomería en cuanto a la altura mínima sobre el borde de la tina.

### Limpieza Después de Instalación

El acabado acrílico puede dar muchos años de belleza si está mantenido correctamente.

Para evitar el perdicio de la belleza del acabado o evitar rasguñar, no usa ningún limpiador abrasivo o de químico áspero. Un detergente líquido suave con agua caluroso va a limpiar los superficies sucios.

Quitar el yeso derramado con el borde de madera o plástico. Los instrumentos metálicos rasguñarán al acabado. Las manchas dejadas por el yeso o lechada pueden ser limpiados con detergente suave con una tela o esponja húmeda.

Los rasguños menores, que no penetran el superficie de color, pueden ser quitados por el enarenamiento ligero a la superficie con papel de lija mojado-seco de grava 600 arena, húmedo. Para restaurar el acabado lustroso, usar un producto especial, como el Meguiar's No. 10 Mirror Glaze. Si no está disponible, utilizar un compuesto de frotamiento automotor seguido de una aplicación de la cera de pasta automotor.

Los rasguños mayores y rayones profundos, que penetran la superficie acrílica, puede requerir el rehacer del superficie. Contactar a su distribuidor Jacuzzi® Whirlpool Bath para instrucciones especiales, o visitar nuestro sitio de internet.

<http://www.jacuzzi.com/>

Para encontrar las listas de agente de servicio para:

Reparaciones eléctricas o Mecánicas:

<http://jacuzzi.com/pdf/ASA.PDF>

Acabado o Cáscara de la tina:

<http://jacuzzi.com/pdf/AFC.PDF>

Reparación de partes o Accesorios:

<http://jacuzzi.com/pdf/MPD.PDF>

# OPERACION

**NOTA:** Estas instrucciones se aplican a todas las tinas fabricadas por Jacuzzi® Whirlpool Bath. No todas las características mencionadas en estas instrucciones corresponden a todas las tinas.

Todas las tinas fabricadas por Jacuzzi® Whirlpool Bath están diseñadas para "llenar y vaciar", lo que significa que debe vaciar la tina después de cada uso y llenarla nuevamente con agua limpia para volver a usarla la próxima vez. Es una precaución sanitaria, ya que estas tinas no están diseñadas para mantener agua en forma continua, como las piscinas o los spas. Si quiere una unidad que pueda conservar agua continuamente, pídale a su distribuidor de Jacuzzi® Whirlpool Bath información sobre la línea completa de spas de hidromasaje disponibles.

## NIVEL DE AGUA

Cierre el desagüe y llene la tina hasta que el nivel de agua esté como mínimo a 1 pulg. (25.4 mm) por encima de la boquilla más alta (consulte el nivel de agua indicado en la ilustración).

**PRECAUCION:** No encienda el sistema de hidromasaje hasta que las boquillas no estén completamente sumergidas en agua. No llene en exceso la tina para evitar que el panel de control quede sumergido. Si activa el sistema de hidromasaje con una cantidad insuficiente de agua, se puede salpicar agua fuera del área de la tina. Si activa el sistema de hidromasaje sin agua, se dañará la bomba de recirculación.

**IMPORTANTE:** Al salir de la tina, el nivel de agua quedará por debajo de las boquillas y se podría salpicar agua fuera de la unidad. Para evitarlo, apague la unidad antes de salir de la tina.

## CONTROL DEL HIDROMASAJE

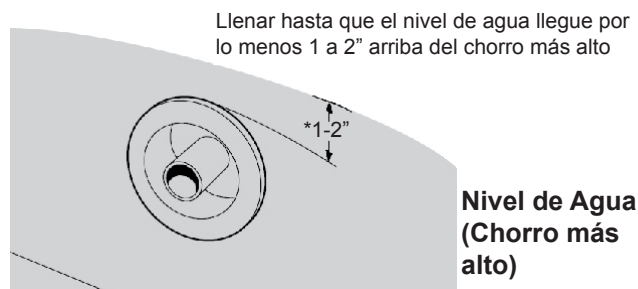
El hidromasaje de la tina depende de tres factores: la dirección del caudal, la fuerza del agua y la fuerza del aire. Todas las tinas fabricadas por Jacuzzi® Whirlpool Bath cuentan con boquillas regulables PowerPro®, que pueden adaptarse a estos tres factores. Algunas tinas tienen boquillas adicionales para regular la dirección y el flujo del aire únicamente.

**Dirección:** Para modificar la dirección del caudal del agua, gire la boquilla hacia el ángulo deseado. Las boquillas pueden dirigirse en forma independiente hacia cualquier parte del cuerpo para brindar hidromasajes. También se las puede regular para que todas apunten a la misma dirección (hacia la izquierda o la derecha) para mover el agua en forma circular, logrando un efecto de remolino total.

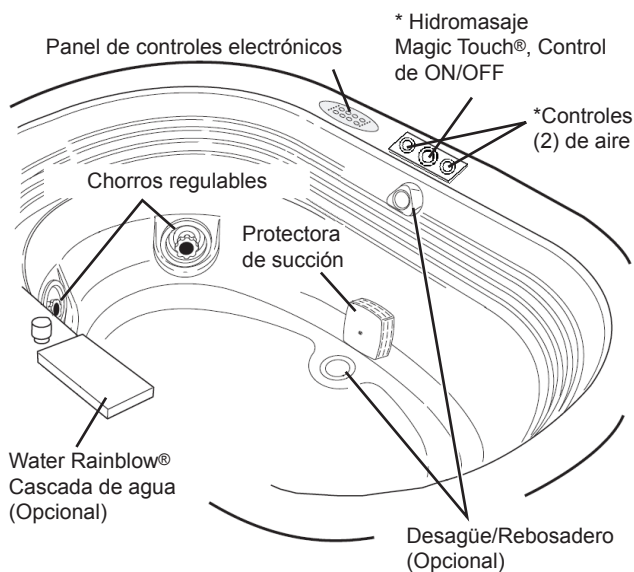
**Fuerza del Agua:** Los chorros de alto volumen regulables pueden ajustarse para controlar la fuerza del agua que cae a la tina. Para incrementar la fuerza haga girar a la izquierda los controles de los chorros; para reducirla, hágalos girar a la derecha. Personalice la fuerza de agua bajando agua el volumen de uno (1) chorro (chorros) para aumentar la fuerza de agua en otro chorro (chorros). Nunca active el sistema hidroterapéutico si los chorros están cerrados.

**Fuerza del Aire:** La tina tiene dos perillas que sirven como controles del sistema de inducción de aire. La intensidad del hidromasaje depende de la cantidad de aire que se induzca en el agua. A medida que aumenta la cantidad de aire, se incrementa

la fuerza del hidromasaje. Para lograr la máxima inducción de aire, haga girar los controles a la izquierda, hacia los círculos más grandes. Para disminuir las burbujas de aire, reduzca la inducción de agua haciendo girar los controles hacia la derecha. Cuando los controles se ajustan en los círculos más pequeños, sólo circula agua en la tina.

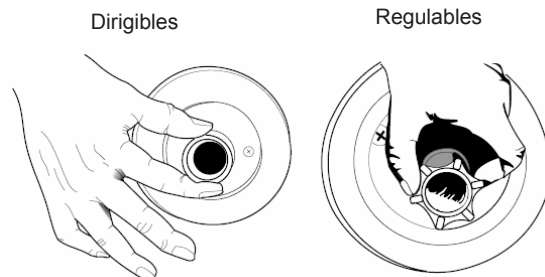


## Rasgos Generales



\*Ciertas unidades tienen controles manuales solamente

## Chorros



ESPAÑOL



## OPERACIÓN DE PANEL (con iluminación de Chromotherapy o Illumatherapy™ opcional)

Todas las bañeras en esta línea de productos vienen con controles electrónicos e iluminación de Chromatherapy estándar. Lea y siga las instrucciones de operación para el sistema de control de su bañera.

### Funciones Generales

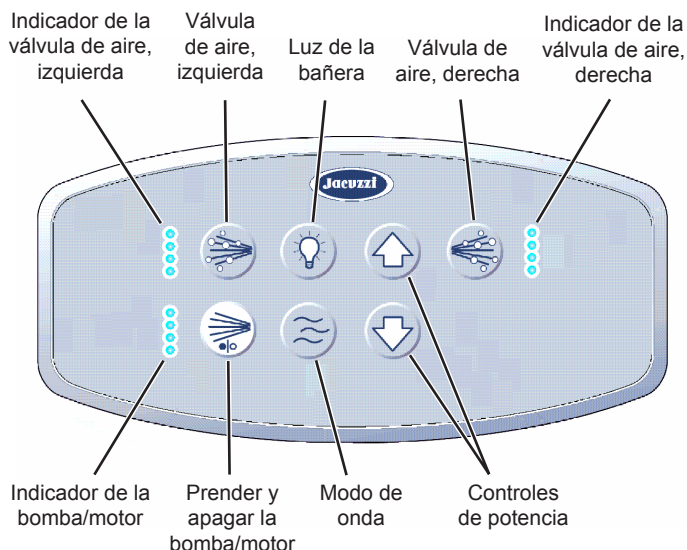
Esta bañera de Jacuzzi® es equipada con un panel de instrumentos electrónico de siete botones. El panel de siete botones controla una bomba/motor de dos velocidades, iluminación de Chromatherapy, controles para aire, y control de onda. Las luces LED (en el panel de instrumentos) indican niveles de función. Cambiando entre funciones, el LED para las funciones inactivas se atenuará y la función activa aclarará.

Cuando el nivel de agua es por debajo del sensor, el motor no puede activarse. Si se utiliza el control ON/OFF (Prender/ Apagar), el motor no se prende. Si el agua llega al nivel del sensor, sí se puede prender. Si el agua baja al nivel del sensor otra vez, se apagará el motor automáticamente.

La bomba/motor se apaga automáticamente después de 30 minutos.

**NOTA:** Asegure que los sensores de nivel de agua localizados dentro de la bañera están limpios de cualquier jabón o concentración de otras partículas.

## PANEL DE CONTROLES



ESPAÑOL

## OPERACION NORMAL (Con agua al nivel correcto)

**NOTA:** El Indicador para funciones inactivos va a disminuirse y las funciones activas va a iluminarse fuerte.



### Control de la Bomba/Motor (PRENDER/APAGAR)

Presionar el Control encenderá la bomba/motor de dos velocidades en ALTA velocidad. El presionar por segunda vez apagará la bomba/motor. Para cambiar velocidades, se usa el Control de Potencia.



### Indicador de la Bomba/Motor

Cuando la bomba/motor está prendida en velocidad alta, los cuatro indicadores estarán encendidas; cuando la bomba/motor está prendida en velocidad baja, el indicador abajo estará prendido.



### Válvula de Aire, Izquierda

El Presionar del Control activará la válvula de aire, izquierda; utilizando el Control de Potencia va a incrementar/disminuir el flujo de aire a las cabezas de la izquierda. El flujo de aire se puede ajustar desde cero hasta máximo aire.



### Indicador de la Válvula de Aire, Izquierda

El indicador mostrará cuatro luces máximo de la válvula de aire, izquierda, y solo una cuando el aire está apagado. Más flujo de aire se indica con otra luz prendida.

**NOTA:** Usar el Control de Potencia después de usar la Válvula de Aire para incrementar o disminuir la acción del Modo de Onda de la válvula.



### Válvula de Aire, Derecha

El Presionar del Control activará la válvula de aire, derecha; utilizando el Control de Potencia va a incrementar/disminuir el flujo de aire a los jets de la izquierda. El flujo de aire se puede ajustar desde nada hasta máximo aire.



### Indicador de la Válvula de Aire, Derecha

El indicador mostrará cuatro luces para aire máximo de la válvula de aire, derecha, y una cuando el aire está apagado. Más flujo de aire se indica con otro luz prendido.



### Modo de Onda (PRENDER/APAGAR)

Apretar el Control para activar la acción de movimiento del agua por abrir y cerrar las válvulas de aire; apretarlo la segunda vez para APAGAR la acción de onda.

Al presionar el Control después de apretar el Control de Bomba/Motor o el Control de la Válvula de Aire para inicializar ambos Válvulas Derecha e Izquierda.

**NOTA:** Apretar el Control de Potencia después de usar el Control de la Bomba/Motor primero y luego lo de Modo de Onda va a incrementar o disminuir el movimiento de ondas para los dos válvulas de aire.



### Luz de la Bañera (PRENDER/APAGAR)

Presionar el Control de Luz y la luz blanca se prende; utilizar el Control de Potencia para incrementar o disminuir la luz.

Presionar el Control de la Luz una segunda vez para accesar el color favorito. Para inicializar el ciclo de todos colores, utilizar el Control de Potencia; Presionar el Control de Potencia otra vez para parar el ciclo. Al apagar el ciclo, el color mostrado se guarda memorizado como el color favorito.

Presionar el Control de Luz la tercera vez para APAGAR la luz.



### Controles de Potencia

Los dos Controles de Potencia, de flecha arriba y flecha abajo, controlan la intensidad de los demás funciones, para incrementar, disminuir, o modificarlas. La flecha de arriba es para incrementar y la de abajo para disminuir.



- Presionar el Control de Potencia después de prender el Control de la Bomba/Motor va a incrementar o disminuir la presión de la Bomba/Motor: Si la presión está ALTA, presionar el Control de Potencia de flecha abajo para disminuir la presión del motor; si está BAJA, presionar el Control de flecha arriba para incrementar la presión.

- Presionar un Control de Potencia después de prender el Control de Luz una vez va a incrementar o disminuir la luz blanca.

Presionar un Control de Potencia después de apretar el Control de Luz dos veces va a iniciar el ciclo de colores.

Se puede dejar cambiando las luces o presionar otra vez el Control de Potencia para parar el ciclo.

Con el ciclo parado en un cierto color, presionar el Control de la Luz otra vez va a apagar la luz. (El color mostrado al apagar el ciclismo se guarda en memoria como el color favorito al apagar la luz.)

- Usar el Control de Potencia para incrementar o disminuir el flujo de aire en el juego de cabezas para el lado derecho o izquierda. El flujo de aire se puede ajustar desde el posición de no aire hasta aire máximo.

## CALENTADOR RAPIDHEAT™

El Jacuzzi® Luxury Bath Series viene con el calentador RapidHeat instalado para mantener la temperatura del agua en el baño.

### Operación

Una vez que el calentador está instalado y la bomba de hidromasaje está funcionando, la función de calentamiento se activa en forma automática. No es necesario el control del Usuario.

### Interruptor de Vacío/Presión

El calentador cuenta con un interruptor de vacío/presión predeterminado que impedirá el encendido del calentador si la bomba no está funcionando con agua en el sistema de hidromasaje.

### Interruptor de Límite Máximo

El calentador incluye un interruptor de límite máximo exclusivo. Este circuito de seguridad no tendrá un disparo falso a causa del agua caliente. Sólo apagará el calentador si el termostato falla. Para reiniciarlo, presione el botón. Si el interruptor de límite máximo se dispara con frecuencia, comuníquese con Jacuzzi® Whirlpool Bath.

## LIMPIEZA DE LA TINA

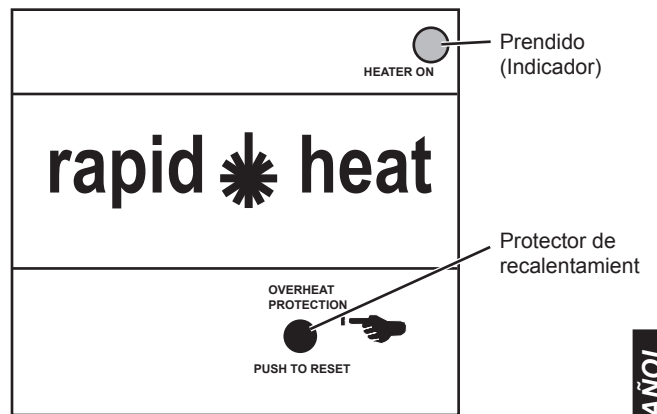
Para limpiar la tina utilice un detergente líquido suave, no abrasivo. Puede proteger y recuperar el brillo de una superficie de acrílico aplicando Mirror Glaze No. 10 de Meguiar, un producto específicamente diseñado para utilizar en acabados acrílicos. Si no, puede utilizar un lustrador de acrílicos de la misma calidad o cera en pasta para automóviles.

Nunca utilice limpiadores abrasivos en ninguno de los productos Jacuzzi® Whirlpool Bath.

## REPARACIONES DE LA SUPERFICIE

Los rayones menos profundos que no alteran el acabado de color se pueden quitar con papel de lija húmedo o seco de grano 600. Recupere el brillo con Mirror Glaze de Meguiar o con cera en pasta para automóviles.

Para quitar las marcas y rayones profundos que alteran la superficie de acrílico es necesario aplicar un acabado nuevo. Consulte a su distribuidor de Jacuzzi® Whirlpool Bath para obtener instrucciones más precisas.



## ADITIVOS DE BAÑO

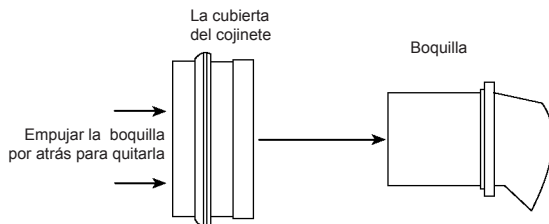
**NOTA:** No utilice aditivos de baño con base aceitosa.

Si Ud. desea utilizar cualquier clase de aditivo en el bañera, utilice solamente una pequeña cantidad de polvo o sustancia cristalina de poca espuma; la acción de hidromasaje intensifica las propiedades de hacer espuma de los jabones.

El uso de ciertos aceites de baño, baños de burbujas y aditivos de baño pueden incrementar el nivel de acumulación de residuos en el sistema de bañeras de hidromasaje que puede causar una indicación falsa en los sensores del nivel de agua. Si los excesos de acumulaciones persisten, Ud. debe dejar de seguir usando estos productos.

## LAS CABEZAS QUE GIRAN (Si Aplica)

Si hay pelo o otro clases de escombros agarados en los portes de las cabezas, puede obstruir la operation de la giración. Este situación requiere el demontaje de la cabeza(s) para limpieza. Para hacerlo, simplemente agarre el inyector y extraerlo directamente del alojamiento de su revestimiento. El revesimiento va a acompañar la cabeza. Hay que separarlos, empujando la cabeza por atrás del revestimiento. Al limpiar la cabeza, reúnanse al revés y reinstalar la pieza como fue.



## PURIFICACIÓN DEL SISTEMA DE HIDROMASAJE

**NOTA:** El sistema de hidromasaje debe purificarse por lo menos dos veces al mes

Para eliminar los residuos de bañera, acumulados en el sistema de hidromasaje, es recomendable limpiar el sistema de hidromasaje por lo menos dos veces por semana. Sin embargo, para obtener mejores resultados, le recomendamos que limpie su sistema después de cada uso, utilizando Systems Clean™, nuestro detergente exclusivo de dos partes, fabricado especialmente para baños hidromasajes.

“Systems Clean™” está disponible mediante nuestros Distribuidores autorizados de baños Jacuzzi® Whirlpool o llamándonos directamente al 1-800-288-4002.

## EL USO DE SYSTEMS CLEAN™

Referir a las instrucciones que viene en el paquete de Systems Clean™.

**ADVERTENCIA:** ¡No use este producto bañándose! Use la precaución extrema manejando este producto.

Inmediatamente después del baño, y después de salir de la bañera, deje el agua y agregue agua caliente si es necesario, de tal modo que el nivel del agua este por lo menos de 51 mm (2 pulgadas) sobre la cabeza más alto.

**NOTA:** Aire inducido del sistema del hidromasaje va a causar el Systems Clean hacer espuma con olor fuerte.

Apagar el control de aire del hidromasaje o ajustarlo a la posición más bajo. Luego vierta el contenido del Paquete No. 1 directamente en el agua del baño. Para los mejores resultados, vierta el paquete en el agua cerca de la bomba de circulación. Permitir que el hidromasaje corre para 30 segundos, luego añadir el Paquete No. 2. Ahora permite correr el hidromasaje para 5 a 10 minutos, y drenar el baño completamente. Llenar la tina de agua con agua frio y permitir correr el hidromasaje para 2 a 3 minutos, y quitar el agua completamente y limpiar cualquier residuo para dejar todo limpio. Acuérdesese de reinicializar las válvulas de aire a su nivel de comodidad bañador.

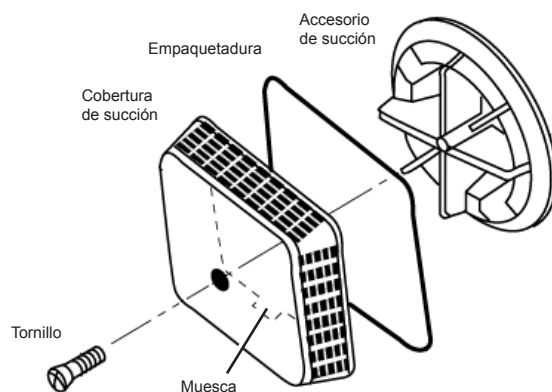
**PELIGRO:** Es peligroso para ingerir, además irrita los ojos. Proteja los ojos, piel, y membranas de mucosidad del contacto con este producto o una solución concentrada. Un producto alcalino fuerte puede causar quemaduras severas a los ojos y piel.

Si usted ha seguido las instrucciones estandar de limpieza mencionadas, y todavía tiene excesos de residuos acumulados sobre la bañera y desea un mecanismo alternativo de limpieza, recomendamos SUPER SYSTEMS CLEAN PLUS, manufacturado por Stearns Packaging para rectificar esta situación. Este producto se puede obtener contactándonos al 1-800-288-4002. Se recomienda que usted siga las instrucciones del fabricante incluidas con el producto. Pueda que sea necesario usar este producto repetidamente. SUPER SYSTEMS CLEAN PLUS no reemplaza la necesidad de limpiar el sistema periódicamente con Systems Clean, de acuerdo a las recomendaciones dadas.

## FILTRO/PLACA PROTECTORA DE SUCCIÓN

Quite cabellos y residuos del filtro/placa protectora de succión cuando sea necesario. Quite el tornillo del centro y retire la placa cuadrada. Límpiela quitando los residuos de los orificios con agua. Vuelva a colocar la placa protectora de succión inmediatamente después de limpiarla. Reinstálela con la muesca pequeña hacia abajo. La junta se debe introducir en la ranura del filtro/placa antes de colocarla en el accesorio de succión.

**PRECAUCIÓN:** Mantenga el cabello a una distancia mínima de 6 pulg. (15 cm) del accesorio de succión toda vez que el sistema de hidromasaje esté en funcionamiento. Si el largo del cabello excede los hombros, se lo debe sujetar cerca de la cabeza o se debe utilizar una gorra de baño. No ponga en funcionamiento el sistema de hidromasaje si la placa protectora de succión no está colocada. Es un dispositivo de seguridad que siempre debe proteger el accesorio de succión para reducir al mínimo el riesgo potencial de que queden atrapados los cabellos o alguna parte del cuerpo.



**Placa Protectora de Succión**

## Iluminación (Cromoterapia)

Si su unidad tiene iluminación (LED) de cromoterapia pero las luces no funcionan, comuníquese con su distribuidor de Jacuzzi® Whirlpool Bath. La iluminación de cromoterapia no tiene componentes que el cliente pueda reparar.

Puede solicitar los accesorios de repuesto a su distribuidor de Jacuzzi® Whirlpool Bath.

## Iluminación (Illumatherapy™, Opcional)

Si su unidad tiene iluminación (con fibra óptica) Illumatherapy pero las luces no funcionan, comuníquese con su distribuidor de Jacuzzi® Whirlpool Bath. La iluminación Illumatherapy no tiene componentes que el cliente pueda reparar.

Puede solicitar los accesorios de repuesto a su distribuidor de Jacuzzi® Whirlpool Bath.

# GUIA DE PROBLEMAS Y SOLUCIONES

PROBLEMA	CAUSAS PROBABLES	SOLUCION
La bomba/motor no arranca.	No llega corriente a la bomba/motor.	Reconecte el GFCI.
	No está conectada la bomba/motor.	Inserte totalmente el enchufe en el tomacorriente.
	Bomba/motor defectuosa.	Reemplace el ensamblaje de la bomba/motor.
Panel de Control no responde	No hay poder al Panel	Apagar el sistema por desconectar del cale o por quitar poder al nivel de la casa. Esperar 15 segundos y luego, reinicializar el poder a la unidad. Intentar otra vez usar el Panel de Control
	Está desconectado el cable del Panel	Connectar al cable entre el Panel y la Caja de Control
La bomba/motor funciona, pero las cabezas ajustables no funcionan.	Las cabezas de agua están cerrados.	Abra los cabezas de agua rotando en dirección hacia la izquierda
	La cobertura de succión puede estar bloqueada.	Con el motor desconectado, retire la tapa de succión y quite toda la basura. Vuelva a colocar la cobertura de succión antes de volver a operar el equipo.
La bomba/motor funciona, pero el aire no entra al agua.	Las válvulas de aire están cerradas.	Utilizar el Panel de Control para abrir las válvulas de aire. Reinicializar las válvulas para permitir el flujo de aire
Fuga de agua en las uniones de la bomba.	Muy ajustado, anillo tórico mal acoplado, mal colocado o mal ajustado.	Aflove los empalmes, revise y vuelva a colocar el anillo tórico. Si el anillo tórico ha perdido su forma, reemplácelo (refiérase al número de teléfono abajo). Cuando ajuste las tuercas de empalme, hágalo únicamente en forma manual.
	Debido a sobre calentamiento (suministro de voltaje bajo), la protección termal del motor ha desactivado la bomba/motor.	Deje enfriar el motor; la protección termal se volverá a conectar. Revise la existencia de ventilación apropiada. (Revise el suministro de voltaje.)
Bomba/motor se apaga por sí solo, o mediante el cronómetro, antes del tiempo fijado.	GFCI desconectado.	Reconecte el GFCI. Si continúa desconectándose, no utilice este equipo. Desconecte el equipo y haga que el problema sea arreglado por un electricista calificado antes de volver a utilizarlo.
	Cable de alimentación inadecuado.	Consulte con un electricista calificado para corregir el cableado de la unidad.
Las luces de Chromatherapy dejan de funcionar	El conector ha venido suelto	Consulte el Agente de Servicio autorizado de Jacuzzi® más cercano
Las luces no funcionan	El cable está desconectado o está roto	Connectar el cable o reparar los cables rotos

ESPAÑOL

**NOTA:** Si la unidad está dentro del plazo de su garantía, contacte al Servicio de apoyo de Jacuzzi® Whirlpool Bath al 1- (800) 288-4002, y verifique el número de serie de la unidad antes de que se inicie el trabajo. El número de serie se localiza en las especificaciones/placa de número de serie, ver Servicio Autorizado.

# SERVICIO AUTORIZADO

Si usted necesita obtener información sobre una compañía de servicios en su cercanía, o necesita asistencia para preguntas sobre la operación o mantenimiento del producto, por favor llame a nuestro Departamento de Servicios de Apoyo, teléfono 1-800-288-4002. Para obtener una lista de agentes de servicios, visite nuestra página internet, [http://www.jacuzzi.com/ para productos, servicios](http://www.jacuzzi.com/para_productos_servicios), y una copia en línea Internet de el manual de Instalación e Instrucciones de Operación.

Para encontrar las listas de agente de servicio para:

Reparaciones eléctricas o Mecánicas, visitar: <http://jacuzzi.com/pdf/ASA.PDF>

Acabado de la Superficie o Reparaciones relacionadas con el Esqueleto, visitar: <http://jacuzzi.com/pdf/AFC.PDF>

Reparación de partes o Accesorios, visitar: <http://jacuzzi.com/pdf/MPD.PDF>

Cuando solicite servicios o asistencia técnica, por favor tenga a la mano tanto el modelo, como el número de serie de la unidad. Esta información puede ser obtenida en la tarjeta de registro del producto, proporcionada junto con su bañera. Si la tarjeta ha sido desplazada, esta información se podrá obtener en la etiqueta de especificaciones/número de serie, colocada en la bañera (para la ubicación de esta etiqueta, ver a continuación).

## PRODUCTOS PARA LA BAÑERA

Tinas de hidromasaje: La placa está en el lateral de la tina, cerca del conjunto bomba/motor.

Tinas sin hidromasaje: La placa está ubicada cerca del rebosadero.

ESPAÑOL

### ETIQUETA DE ESPECIFICACIONES/NÚMERO DE SERIE

Número del modelo,  
Número de serie

Se encuentra el  
número de serie aquí

XXXX - XXXXXX

MODEL	XXXXXXX	Applicable Electrical Specifications for your unit.
NAME	XXXXXX	
COLOR	XXXXXX	
MFG #	XXXXXX	
SER #	XXXXXXX	

THIS PRODUCT MEETS OR EXCEEDS THE FOLLOWING STANDARDS BATH & SPA  
ANSI Z124.1 SHOWER BASES ANSI Z124.2

MADE IN USA

Appropriate Safety Compliance Logos for your unit.

LAS ESPECIFICACIONES DE LOS PRODUCTOS ESTÁN SUJETAS A CAMBIOS SIN AVISO.

UTILICE LAS INSTRUCCIONES DE INSTALACIÓN ENTREGADAS CON EL PRODUCTO.

La empresa ha obtenido los listados de los códigos aplicables (normas) que suelen estar disponibles a nivel nacional para productos de este tipo. Es responsabilidad del instalador o propietario determinar el cumplimiento de las normas locales específicas antes de instalar el producto. La empresa no realiza manifestaciones ni ofrece garantías con respecto al cumplimiento de ninguna norma, ni será responsable de dicho cumplimiento.

**Jacuzzi® Whirlpool Bath**

14525 Monte Vista Avenue

Chino, California 91710

# Garantía Limitada de por Vida para las Bañeras Marca Jacuzzi de la Colección de Comfort, Comfort Plus, Pure Air®, Luxury, Salon™ Spa, y Pure Air® II

## COBERTURA DE LA GARANTÍA

Jacuzzi Whirlpool Bath (la "Compañía") ofrece la siguiente garantía expresa limitada de por vida al comprador original («Usuario») de cualquier producto Jacuzzi® Whirlpool Bath incluido en la colección de Comfort, Comfort Plus, Pure Air®, Pure Air® II, y Luxury™ de la Compañía, que compre la Bañera para uso personal o residencial unifamiliar. La Compañía reparará o reemplazará, a su exclusiva elección, la Bañera o su equipo de acuerdo con los siguientes términos y condiciones. Esta garantía no se aplica a productos de Baño no marcados fabricados por la Compañía.

## GARANTÍA DE POR VIDA PARA LAS BAÑERAS

La Compañía le extiende al usuario de la Bañera una garantía intransferible limitada de por vida que establece que el casco mantendrá su integridad y configuración estructural y que no tendrá pérdida de agua debido a un defecto en el casco de la bañera. Esta garantía cubre contra defectos en el material o en la mano de obra únicamente el casco de la bañera y la bomba, los chorros, los controles y el soplador instalados por el fabricante. Esta garantía no se aplica a ningún modelo de exposición ni a ninguna opción o accesorio que estén cubiertos por nuestra garantía limitada por noventa (90) días establecida a continuación. La cobertura de la garantía comienza en la fecha en que el usuario compró originalmente la unidad y al momento en que la Compañía recibe la Tarjeta de Registro de la garantía debidamente completada según se describe a continuación.

## GARANTÍA DE MANO DE OBRA POR 2 AÑOS PARA TODOS LOS COMPONENTES INSTALADOS DE FÁBRICA

Nuestra garantía limitada de mano de obra es por un período de dos (2) años a partir de la fecha en que el usuario compró originalmente la unidad pero por no más tres (3) años a partir de la fecha de fabricación. Nuestra garantía cubre todos los componentes instalados de fábrica (por ejemplo, la bomba, el motor, el soplador y la plomería) contra fallas debido a defectos en los materiales y en la mano de obra.

## GARANTÍA LIMITADA POR 90 DÍAS (PIEZAS ÚNICAMENTE) PARA LAS OTRAS OPCIONES Y ACCESORIOS

Nuestra garantía limitada en opciones y accesorios es durante noventa (90) días para partes sólo. Nuestra garantía cubre opciones y accesorios fabricados (p.ej, el juego de grifo, equipo para recortar, faldas, monitores de vídeo, pantallas de televisión plasma, CD y jugadores MP3, y otra música y dispositivos de vídeo y calentadores opcionales) contra defectos en material o habilidad. La cobertura de garantía comienza en la fecha la opción o el accesorio fue al principio comprado por el Usuario. Estos artículos pueden ser cubiertos por la garantía de un fabricante que puede tener una duración más larga que esta garantía limitada. Por favor confirme con el fabricante la duración de la garantía apropiada para Opciones y Accesorios.

## LIMITACIONES DE LA GARANTÍA

Nuestra garantía limitada no cubre defectos, daños ni fallas ocasionadas por el transportista, el instalador, el usuario u otras personas, mascotas o roedores, ni los que resulten, sin limitación, de cualquiera de las siguientes causas: manipulación descuidada (levantar la unidad tomándola de la grifería, raspar el acabado, etc.) inclusive por su propia negligencia; modificación de cualquier tipo por cualquier motivo (incluso modificaciones para cumplir con los códigos locales); instalación incorrecta (incluso la instalación no conforme a las instrucciones y especificaciones suministradas con la unidad); conexiones proporcionadas por el instalador del equipo; tensión de alimentación inadecuada o modificación eléctrica no autorizada; mal uso; funcionamiento incorrecto o falta de mantenimiento de rutina adecuado; funcionamiento de la unidad sin la cantidad mínima de agua especificada o con agua a temperatura inadecuada; uso de limpiadores abrasivos o inapropiados; o actos fortuitos tales como rayos, inundaciones, terremotos, etc.

Además, LA COMPAÑÍA NO SERÁ RESPONSABLE DE DAÑOS INCIDENTALES O CONSECUENTES o pérdidas derivadas de cualquier causa (por ejemplo, daños causados por el agua en las alfombras, techos, azulejos, mármol, pérdida de uso, etc.) inclusive por su propia negligencia; daños a, relativos a, o que resulten de: las piezas cromadas si se utilizan productos químicos para piscinas y/o bañeras de hidromasaje en la unidad o si existen condiciones de agua dura; los equipos opcionales para bañeras no fabricados por la Compañía pero suministrados por el Distribuidor, el instalador o la Compañía; el uso anterior de la unidad para hacer demostraciones de funcionamiento; o defectos que deberían haberse descubierto antes de la instalación.

Esta garantía limitada no incluye: costos de mano de obra, transporte ni otros costos incurridos en la remoción y/o reinstalación de la unidad original y/o instalación de una unidad de reemplazo; ningún costo relacionado con obtener acceso para la reparación; ni daños por pérdida de uso, incluso pérdida de ventas, ganancias o ventajas comerciales de cualquier tipo y en cualquier circunstancia. Las bañeras quedan excluidas de la cobertura de cualquier garantía si se ha realizado alguna adición, supresión o modificación de cualquier tipo a la unidad (o a cualquier componente). La cobertura de la garantía se brinda únicamente en los Estados Unidos de América y Canadá.

## EXCLUSIÓN DE LAS GARANTÍAS IMPLÍCITAS

LAS GARANTÍAS IMPLÍCITAS DE COMERCIABILIDAD Y APTITUD CON UN FIN DETERMINADO QUEDAN TOTALMENTE EXCLUIDAS O HASTA EL MÁXIMO GRADO PERMITIDO POR LEY.

AVISO: Esta garantía le otorga derechos legales específicos y es posible que usted goce de otros derechos que varían según el estado. No existen garantías que se apliquen a los productos Jacuzzi Whirlpool Bath, salvo las detalladas expresamente en la presente o las implícitas en las leyes estatales y federales correspondientes. La Compañía no será responsable de ninguna declaración o representación realizada de cualquier forma que supere, exceda o resulte contraria a cualquier literatura autorizada o a las especificaciones suministradas por la Compañía. Algunos estados no permiten limitaciones en relación con la duración de una garantía implícita, la exclusión ni la limitación de los daños incidentales o consecuentes, de manera que es posible que las limitaciones y exclusiones anteriores no se apliquen en su caso.

Luxury Bath by Jacuzzi®  
K339000Y, April 2008



Jacuzzi® Whirlpool Bath  
14525 Monte Vista Avenue  
Chino, California 91710



## DEVOLUCIÓN DE LA TARJETA DE LA GARANTÍA

El comprador DEBE completar la tarjeta de registro de la garantía adjunta y Jacuzzi Whirlpool Bath DEBE recibirla dentro de los treinta (30) días a partir de la fecha de compra para que esta garantía entre en vigencia.

### RESPONSABILIDADES DE TERCEROS

La inspección de la unidad antes de su instalación es responsabilidad del instalador o contratista de obra que actúa en representación del Usuario. Ellos son responsables de asegurarse de que la unidad no tenga defectos ni daños. Se colocan avisos en la unidad y en la caja de envío para notificarle al instalador esta responsabilidad. En caso de que haya un problema, no se debe instalar la unidad. La Compañía no se hace responsable de las fallas ni de los daños que pudieran haberse descubierto, reparado o evitado mediante una inspección y prueba apropiados (incluso el análisis apropiado del agua) antes de la instalación.

Los daños que se generen en el transporte son responsabilidad del transportista. El Usuario o instalador DEBEN abrir la caja de embalaje e inspeccionar que la unidad no tenga daños al momento de la entrega. Si se descubren daños, se deben informar inmediatamente al vendedor y al transportista por escrito y se debe solicitar una inspección. Si el transportista no responde, se le debe informar al vendedor y al transportista. Sus reclamos de flete deben presentarse de inmediato.

Es responsabilidad del instalador, contratista de obra o Usuario brindar acceso para el servicio técnico. La Compañía no es responsable de ningún costo relacionado con la obtención de acceso para la reparación. El Usuario asumirá tales costos y, si corresponde, deberá cobrárselos al instalador.

Los daños que se presenten en la unidad durante su instalación son responsabilidad del instalador y/o contratista de obra, y los daños que se presenten a partir de entonces son responsabilidad del usuario.

Las fallas de cualquier equipo opcional son exclusiva responsabilidad del fabricante del equipo, excepto por lo establecido anteriormente, y no se extenderá ni aplicará a ningún repuesto para las Opciones y Accesorios. El fabricante del equipo original cubrirá cualquier repuesto.

El Distribuidor o Vendedor es responsable de conocer los requisitos de los códigos locales y de notificarle al contratista instalador y/o Usuario estos requisitos al momento de la compra. La Compañía no es responsable de los costos de la modificación de ningún producto para obtener alguna aprobación de los códigos, tales como los códigos de construcción de la ciudad, condado o estado en los EE.UU. o los códigos municipales o provinciales en Canadá.

### SERVICIO DE GARANTÍA

Para beneficio del cliente, la Compañía cuenta con una lista de personal de servicio técnico independiente que puede realizar las reparaciones requeridas del servicio de garantía. Dichas empresas no son agentes ni representantes de la Compañía y no pueden comprometer a la Compañía mediante palabras o conductas.

La Compañía brindará el servicio de garantía descrito anteriormente cuando se hayan cumplido las siguientes condiciones: la falla es de la naturaleza o del tipo cubierto por la garantía; el Usuario le ha informado a un Agente de servicio técnico autorizado de Jacuzzi Whirlpool Bath o a un Representante del Departamento de servicio de garantías la naturaleza del problema durante el período de garantía; el usuario le ha entregado a dicho agente o representante evidencia concluyente (por ejemplo, comprobante de compra o de instalación) para demostrar que la falla ocurrió o se descubrió dentro del período de la garantía; se le ha permitido a una persona autorizada de servicio técnico independiente o un representante de la Compañía inspeccionar la unidad durante el horario comercial normal dentro de un tiempo razonable después de que el usuario informara la falla.

A fin de obtener el servicio de garantía, contáctese con el Agente de servicio autorizado de Jacuzzi Whirlpool Bath más cercano ([http://www.jacuzzi.com/trade/bath\\_product\\_support/repairs/](http://www.jacuzzi.com/trade/bath_product_support/repairs/)) para obtener un listado. Describa el problema y el Agente de servicio autorizado inspeccionará la unidad y le brindará el servicio requerido por la garantía.

Si no puede contactarse con un Agente de servicio autorizado de Jacuzzi Whirlpool Bath, llame o escriba a:

Jacuzzi Whirlpool Bath  
Warranty Service Department  
14525 Monte Vista Avenue  
Chino, California 91710  
Llame al: 1 (800) 288-4002

Para obtener un reemplazo de garantía para los componentes instalados de fábrica para opciones y accesorios suministrados y fabricados por la Compañía, llame o escriba a la dirección o teléfono mencionados anteriormente. Brinde una descripción del problema y un comprobante de compra. Recibirá instrucciones de cómo obtener los reemplazos y dónde devolver, a su cargo, el o los componentes, opciones o accesorios defectuosos.

Todos los repuestos, equipos y reparaciones asumirán el período restante de garantía de la o las piezas reemplazadas.

La obligación de garantía de la Compañía finalizará con la oferta de reemplazo o reparación. La negativa del cliente a aceptar la oferta da por finalizada la obligación de garantía de la Compañía.



**Por favor note que la Tarjeta de Registro puede ser completada en línea Internet en Jacuzzi.com**



**TARJETA DE REGISTRO  
PARA LA GARANTÍA**

Para que la garantía se haga efectiva usted debe llenar esta planilla y enviarla a la dirección impresa en el reverso dentro de los treinta días desde la fecha de la compra.

Nombre del comprador \_\_\_\_\_ Estado \_\_\_\_\_ Código de área \_\_\_\_\_  
 Dirección del comprador \_\_\_\_\_  
 Ciudad \_\_\_\_\_  
 Fecha de compra \_\_\_\_\_  
 Nombre del modelo \_\_\_\_\_  
 Número de serie \_\_\_\_\_  
 Nombre del distribuidor \_\_\_\_\_  
 Dirección del distribuidor \_\_\_\_\_

- ¿Cómo escuchó usted, por vez primera, de los productos Jacuzzi®?  
 Propaganda  Artículo de revista, periódico  
 Visitó al distribuidor/supervisor de plomería  Páginas amarillas  
 Constructor/plomero/remodelador  Decorador/arquitecto  
 Visitó la tienda/tienda de artículos para el hogar  
 Referido por otros... Amigos/parientes/conocidos  
 Otros (Por favor describa) \_\_\_\_\_
- ¿Quién fue el primero en darle información específica sobre el este producto (especificaciones, precio, etc.)?  
 Proveedor de productos de baño  Constructor  
 Remodelador  Contratista de productos de plomería  
 Decorador/arquitecto  Ya estaba instalado  
 ¿Cuál fue la razón principal para la compra?  
 Estilo  Servicio de garantía  Características del producto  
 Marca  Precio  Hidrotleapia  
 Reventa de la casa  
 Otro \_\_\_\_\_
- ¿Quién tomó la decisión final sobre qué producto comprar?  
 Yo mismo  Conyuge  Conyuge y yo juntos  
 Otro miembro de la familia  Diseñador/arquitecto  
 Constructor/plomero/remodelador  Ya estaba instalado  
 ¿Quién tomó la decisión final sobre qué producto comprar?  
 Usted  Esposo (a)  Usted y su esposo (a)  
 Otro miembro de la familia  Diseñador/arquitecto  
 Constructor/plomero/remodelador  Ya instalado  
 ¿Quién la instaló?  Ya instalador/casa nueva  
 Contratista/plomero cuando remodelaron  
 Usted/esposo (a) cuando remodelaron  
 Otros \_\_\_\_\_
- ¿Cuál es el valor actual de esta propiedad?  
 Por favor estimar en \$ \_\_\_\_\_ años  
 7. ¿Cuál es la edad del jefe de la familia? \_\_\_\_\_ años  
 8. ¿Cuáles otros fabricantes consideró usted?  
 Eiler  Lasco  Price Pister  Aqua Glass  
 Kohler  American Standard  Sterling  
 Otros (Especifique) \_\_\_\_\_
- ¿Cuánto tiempo empleado usted de compras antes de realizar la compra?  
 1 día  2 meses - 6 meses  
 1-7 días  6 meses - 1 año  
 1 semana - 2 semanas  1 año - 2 años  
 2 semanas - 4 semanas  +2 años  
 1 mes - 2 meses
- ¿Aproximadamente, cuánto tiempo tiene usted viviendo en esta casa?  
 11. Por favor indique, aproximadamente, el ingreso total anual en su casa.  
 Más de \$24,999  de \$50,000 a \$74,999  
 de \$25,000 a \$29,999  de \$75,000 a \$99,999  
 de \$30,000 a \$39,999  de \$100,000 a \$149,999  
 de \$40,000 a \$49,999  más de \$150,000
- ¿Cómo fue el proceso de su compra?  
 Muy fácil  Fácil  Difícil  muy difícil
- ¿Técnicamente, qué tan informado estuvo usted del sistema Jacuzzi®jet antes de efectuar su compra?  
 No informado  Algo informado  Muy informado

Noventa Días,  
 Partes Solamente  
 Noventa Días  
 Garantía Limitada  
 en Accesorio(s)

Noventa Días,  
 Partes Solamente  
 Noventa Días  
 Garantía Limitada  
 en Accesorio(s)

JACUZZI WHIRLPOOL BATH  
 K339000Y