



# SALON™ SPA

## AIR BATH AND WHIRLPOOL

### INSTALLATION AND OPERATING INSTRUCTIONS

#### **Save These Instructions for Future Use.**

Complete and mail-in the product registration card provided with your unit.

Write and save the model and serial number of your unit below.

#### ***Owner's Record***

Date Purchased \_\_\_\_\_

Purchased From \_\_\_\_\_

Installed By \_\_\_\_\_

Serial Number \_\_\_\_\_

Model \_\_\_\_\_

Installer: Leave this manual for homeowner.

Homeowner: Read this manual and keep for future reference.

# IMPORTANT SAFETY INSTRUCTIONS READ AND FOLLOW ALL INSTRUCTIONS SAVE THESE INSTRUCTIONS

## INSTRUCTIONS PERTAINING TO A RISK OF FIRE, ELECTRIC SHOCK, OR INJURY TO PERSONS

**WARNING — WHEN USING THIS UNIT, BASIC PRECAUTIONS SHOULD ALWAYS BE FOLLOWED, INCLUDING THE FOLLOWING:**

**DANGER:** — TO REDUCE THE RISK OF INJURY, DO NOT PERMIT CHILDREN TO USE THIS UNIT UNLESS THEY ARE CLOSELY SUPERVISED AT ALL TIMES.

**WARNING —** USE THIS UNIT ONLY FOR ITS INTENDED USE AS DESCRIBED IN THIS MANUAL. DO NOT USE ATTACHMENTS NOT RECOMMENDED BY THE MANUFACTURER.

**WARNING —** NEVER DROP OR INSERT ANY OBJECT INTO ANY OPENING.

**WARNING —** DO NOT OPERATE THIS UNIT WITHOUT THE GUARD OVER THE INTAKE FOR THE CIRCULATION PUMP (SUCTION COVER/STRAINER).

**WARNING —** THIS UNIT MUST BE CONNECTED ONLY TO A SUPPLY CIRCUIT THAT IS PROTECTED BY A GROUND FAULT CIRCUIT INTERRUPTER (GFCI). SUCH A GFCI SHOULD BE PROVIDED BY THE INSTALLER AND SHOULD BE TESTED ON A ROUTINE BASIS. TO TEST THE GFCI, PUSH THE TEST BUTTON. THE GFCI SHOULD INTERRUPT POWER. PUSH THE RESET BUTTON. POWER SHOULD BE RESTORED. IF THE GFCI FAILS TO OPERATE IN THIS MANNER, THE GFCI IS DEFECTIVE. IF THE GFCI INTERRUPTS POWER TO THE BATHTUB WITHOUT THE TEST BUTTON BEING PUSHED, A GROUND CURRENT FLOWING, INDICATING A POSSIBILITY OF AN ELECTRIC SHOCK. DO NOT USE THIS HYDROMASSAGE BATHTUB. DISCONNECT THE HYDROMASSAGE BATHTUB AND HAVE THE PROBLEM CORRECTED BY A QUALIFIED SERVICE REPRESENTATIVE BEFORE USING.

**WARNING —** (FOR PERMANENTLY CONNECTED UNITS) A GREEN COLORED TERMINAL (OR A WIRE CONNECTOR MARKED “G”, “GR”, “GROUND”, OR “GROUNDING”) IS PROVIDED WITHIN THE TERMINAL COMPARTMENT. TO REDUCE THE RISK OF ELECTRIC SHOCK, CONNECT THE TERMINAL OR CONNECTOR TO THE GROUNDING TERMINAL OF YOUR ELECTRIC SERVICE OR SUPPLY PANEL WITH A CONDUCTOR EQUIVALENT IN SIZE TO THE CIRCUIT CONDUCTORS SUPPLYING THIS EQUIPMENT.

## OPERATING

**WARNING —** PROLONGED IMMERSION IN HOT WATER MAY INDUCE HYPERTHERMIA. HYPERTHERMIA OCCURS WHEN THE INTERNAL TEMPERATURE OF THE BODY REACHES A LEVEL SEVERAL DEGREES ABOVE THE NORMAL BODY TEMPERATURE OF 98.6°F. THE SYMPTOMS OF HYPERTHERMIA INCLUDE AN INCREASE IN THE INTERNAL TEMPERATURE OF THE BODY, DIZZINESS, LETHARGY, DROWSINESS AND FAINTING. THE EFFECTS OF HYPERTHERMIA INCLUDE:

- A) FAILURE TO PERCEIVE HEAT
- B) FAILURE TO RECOGNIZE THE NEED TO EXIT THE SPA OR HOT TUB,
- C) UNAWARENESS OF IMPENDING HAZARD,
- D) FETAL DAMAGE IN PREGNANT WOMEN,
- E) PHYSICAL INABILITY TO EXIT THE SPA OR HOT TUB, AND
- F) UNCONSCIOUSNESS RESULTING IN DANGER OF DROWNING.

**WARNING —** THE USE OF ALCOHOL, DRUGS OR MEDICATION CAN GREATLY INCREASE THE RISK OF FATAL HYPERTHERMIA.

**WARNING —** DO NOT TAMPER WITH USER-OPERATED CONTROLS OR SUCH DEVICES.

# SAFETY INSTRUCTIONS - INSTALLATION

**WARNING — WHEN USING THIS UNIT, BASIC PRECAUTIONS SHOULD ALWAYS BE FOLLOWED, INCLUDING THE FOLLOWING:**

**DANGER — RISK OF ELECTRIC SHOCK. CONNECT ONLY TO A CIRCUIT PROTECTED BY A GROUND FAULT CIRCUIT INTERRUPTER (GFCI).**



**CAUTION — TEST THE GROUND FAULT CIRCUIT INTERRUPTER PROTECTING THIS APPLIANCE PERIODICALLY IN ACCORDANCE WITH MANUFACTURER'S INSTRUCTIONS.**

**WARNING — USE THIS UNIT ONLY FOR ITS INTENDED USE AS DESCRIBED IN THIS MANUAL. DO NOT USE ATTACHMENTS NOT RECOMMENDED BY THE MANUFACTURERS.**

**WARNING — TO AVOID INJURY, EXERCISE CAUTION WHEN ENTERING OR EXITING THE HYDROMASSAGE BATHTUB.**

**WARNING — KEEP BODY AND HAIR A MINIMUM OF 6" (15,2 cm) AWAY FROM SUCTION FITTING AT ALL TIMES WHEN THE HYDROMASSAGE SYSTEM IS OPERATING. HAIR LONGER THAN SHOULDER LENGTH SHOULD BE SECURED CLOSE TO THE HEAD.**

**WARNING — RISK OF ELECTRICAL SHOCK; DO NOT PERMIT ELECTRICAL APPLIANCES (SUCH AS HAIR DRYER, LAMP, TELEPHONE, RADIO OR TELEVISION) WITHIN 60" (1,5 m) OF THIS HYDROMASSAGE BATHTUB.**

**WARNING — RISK OF ACCIDENTAL INJURY OR DROWNING; DO NOT USE DRUGS OR ALCOHOL BEFORE OR DURING THE USE OF HYDROMASSAGE BATHTUB EQUIPPED WITH A HEATER TO AVOID UNCONSCIOUSNESS AND POSSIBLE DROWNING.**

**WARNING — RISK OF FETAL INJURY; PREGNANT OR POSSIBLY PREGNANT WOMEN SHOULD CONSULT A PHYSICIAN BEFORE USING A HYDROMASSAGE BATHTUB EQUIPPED WITH A HEATER.**

**WARNING — RISK OF HYPERTHERMIA AND POSSIBLE DROWNING; DO NOT USE A HYDROMASSAGE BATHTUB EQUIPPED WITH A HEATER IMMEDIATELY FOLLOWING STRENUOUS EXERCISE.**

**WARNING — RISK OF HYPERTHERMIA AND POSSIBLE DROWNING; WATER TEMPERATURE IN EXCESS OF 104°F (40°C) MAY BE INJURIOUS TO YOUR HEALTH. CHECK AND ADJUST WATER TEMPERATURE BEFORE USE.**

**WARNING — RISK OF HYPERTHERMIA; PEOPLE USING MEDICATIONS AND/OR HAVING AN ADVERSE MEDICAL HISTORY SHOULD CONSULT A PHYSICIAN BEFORE USING A HYDROMASSAGE BATHTUB EQUIPPED WITH A HEATER.**

FOR BUILT-IN AND DROP-IN UNITS, INSTALL TO PERMIT ACCESS FOR SERVICING.

THIS UNIT SHOULD BE ELECTRICALLY GROUNDED AND INSTALLED BY A LICENSED CONTRACTOR, ELECTRICIAN, AND PLUMBER.

BUILDING MATERIALS AND WIRING SHOULD BE ROUTED AWAY FROM THE MOTOR/PUMP OR BLOWER OR OTHER HEAT PRODUCING COMPONENTS OF THIS UNIT.

A PRESSURE WIRE CONNECTOR IS PROVIDED ON THE EXTERIOR OF THE MOTOR/PUMP AND HEATER TO PERMIT CONNECTION OF AN NO. 8 AWG (8.4 mm) SOLID COPPER BONDING CONDUCTOR BETWEEN THIS UNIT AND ALL OTHER ELECTRIC EQUIPMENT AND EXPOSED METAL IN THE VICINITY, AS NEEDED TO COMPLY WITH LOCAL REQUIREMENTS.

## PRECAUTIONS

- Do not operate the hydromassage system unless the bath is filled with water to at least 1" to 2" (25,4 - 50,8 mm) above the highest jet.
- Do not immerse the control panel by overfilling the bath.
- Do not use oil-based bath additives in your hydromassage bath.
- When cleaning your bath, do not use abrasive substances which will damage the bath's surface.
- To prevent discoloration of the acrylic finish, do not fill the bath with water in excess of 140°F (60°C).

**NOTE: This is a professional grade product. A knowledge of construction techniques, plumbing and electrical installation according to codes are required for proper installation and user satisfaction. We recommend that a licensed contractor perform the installation of all Jacuzzi Whirlpool Bath products. Our warranty does not cover improper installation related problems.**

**PRODUCT SPECIFICATIONS ARE SUBJECT TO CHANGE WITHOUT NOTICE.**

**USE INSTALLATION INSTRUCTIONS SUPPLIED WITH PRODUCT.**

The Company has obtained applicable code (standards) listings generally available on a national basis for products of this type. It is the responsibility of the installer/owner to determine specific local code compliance prior to installation of the product. The Company makes no representation or warranty regarding, and will not be responsible for any code compliance.

# CONTENTS

Safety Instruction _____	2-3
Contents _____	4
Specifications _____	5-8
Roughing-in Reference _____	9-12
Framing and Support _____	13
Service Access _____	13
Electrical Connections _____	14-15
Fuzion control Panel Installation _____	15
Plumbing and Water Supply _____	16
Fuzion Overflow Installation _____	16
Clean Up After Installation _____	16
Operating Instructions _____	17-21
Salon Control Panel _____	18-19
Salon Control Panels (for Mito™ 6) _____	20
Maintenance Instructions _____	22-23
General Troubleshooting Guide _____	24
Authorized Service _____	25
Warranty _____	27-28

NOTE: To obtain a referral for a service agent in your area call 1-800-288-4002. You may also visit our web site at <http://www.jacuzzi.com/>. To find service agent listings for:

Electrical or Mechanical Repairs visit <http://jacuzzi.com/pdf/ASA.PDF>

Finish, Surface, or Shell-Related Repairs visit <http://jacuzzi.com/pdf/AFC.PDF>

Repair Parts or Accessories visit <http://jacuzzi.com/pdf/MPD.PDF>

# SPECIFICATIONS

## Important: Read complete instructions before beginning installation.

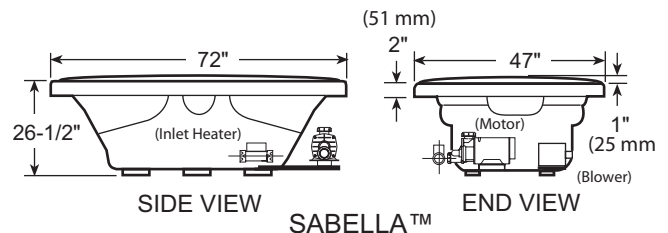
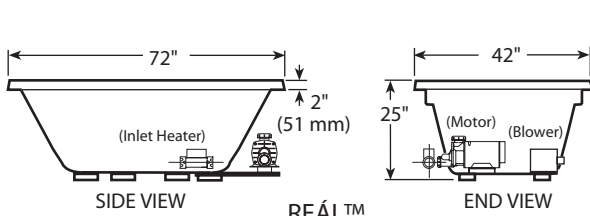
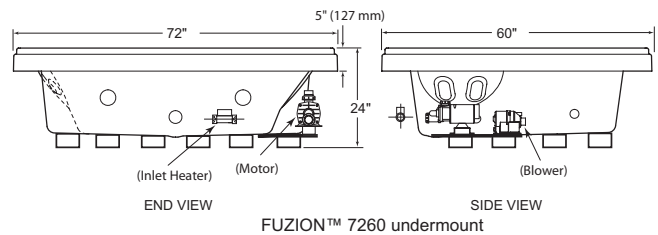
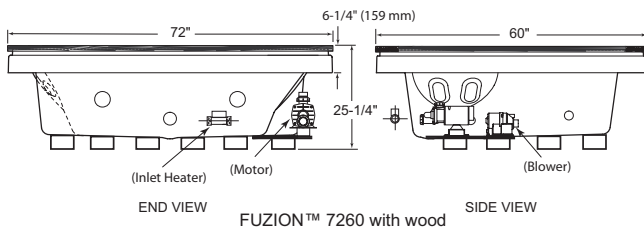
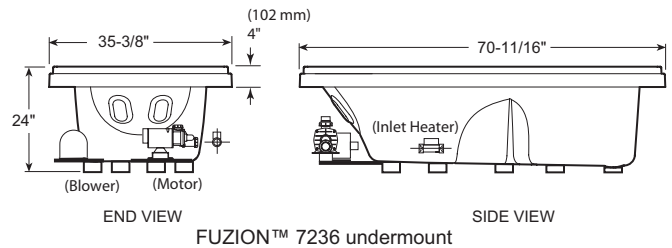
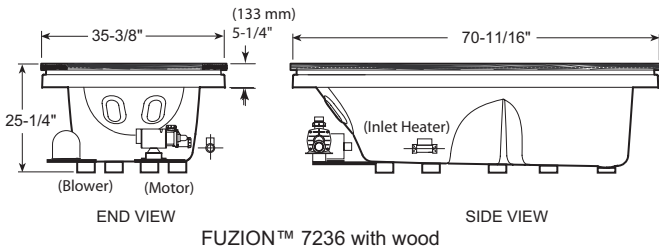
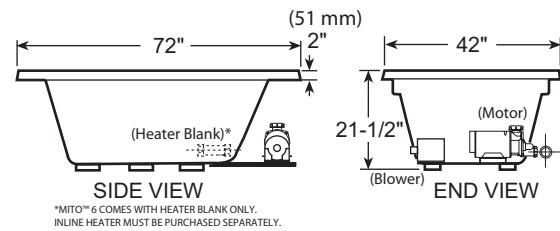
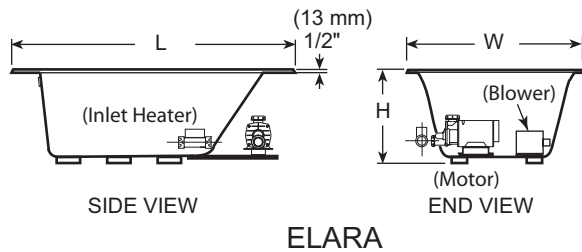
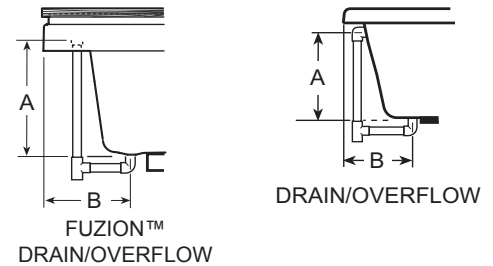
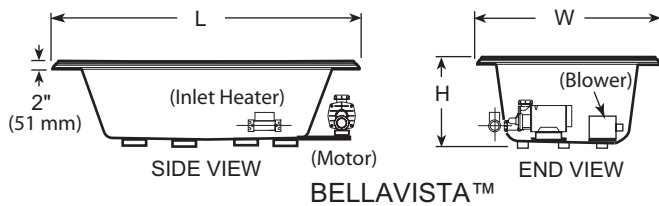
Each bath arrives ready for installation, completely equipped with blower motor, pump/motor assembly, heater, and plumbing necessary for operation.

Remove the bath from the carton. Retain the shipping carton until satisfactory inspection of the product has been made. **Do not lift the bath by the plumbing or wiring at any time; handle by the shell only.**

Immediately upon receipt, inspect the shell before installing. Should inspection reveal any damage or defect in the finish, do not install the bath. Damage or defect to the finish claimed after the bath is installed is excluded from the warranty. Jacuzzi Whirlpool Bath's responsibility for shipping damage ceases upon delivery of the products in good order to the carrier. Refer any claims for damage to the carrier. For definitions of warranty coverage and limitations, refer to the published warranty information packed with the product.

All bath units are factory tested for proper operation and watertight connections prior to shipping. **NOTE: Prior to installation, the bath must be filled with water and operated to check for leaks that may have resulted from shipping damage or mishandling.** Jacuzzi Whirlpool Bath is not responsible for any defect that could have been discovered, repaired, or avoided by following this inspection and testing procedure.

## RECTANGULAR BATHS



# SPECIFICATIONS

## SPECIFICATIONS (Rectangular) RH = RIGHT HAND

ENGLISH

MODEL	DIMENSIONS	DRAIN/OVERFLOW	CUTOUT	TOTAL WEIGHT/ FLOOR LOADING	OPERATING GALLONAGE	PRODUCT WEIGHT	SKIRT & MOUNTING	HEATER
<b>BELLAVISTA™ 5 RH</b>	60" (1524 mm) L 42" (1067 mm) W 26" (660 mm) H	20" (508 mm) A 11-3/4" (298 mm) B	Template Provided P/N P187000	1025 lb (466 kg)/ 59 lb/ft <sup>2</sup> (287 kg/m <sup>2</sup> )	80 U.S. gal (303 liters)	157 lb (71.3 kg)	Not Available	Factory Installed (BN60000 HEATER 230V)
<b>BELLAVISTA™ 5.5 RH</b>	66" (1676 mm) L 42" (1067 mm) W 26" (660 mm) H	20" (508 mm) A 11-3/4" (298 mm) B	Template Provided P/N P187000	1186 lb (539 kg)/ 61.57 lb/ft <sup>2</sup> (299.8 kg/m <sup>2</sup> )	85 U.S. gal (322 liters)	177 lb (80.5 kg)	Not Available	Factory Installed (BN60000 HEATER 230V)
<b>BELLAVISTA™ 6 RH</b>	72" (1829 mm) L 42" (1067 mm) W 26" (660 mm) H	20" (508 mm) A 11-3/4" (298 mm) B	Template Provided P/N P187000	1231 lb (560 kg)/ 59 lb/ft <sup>2</sup> (228 kg/m <sup>2</sup> )	90 U.S. gal (341 liters)	180 lb (81.8 kg)	Not Available	Factory Installed (BN60000 HEATER 230V)
<b>ELARA™ 6042 RH</b>	60" (1524 mm) L 42" (1067 mm) W 26" (660 mm) H	18-1/2" (470 mm) A 9.6" (269 mm) B	58" x 40" (1473 mm x 1016 mm) Umt Template Provided P/N DQ50000	942 lb (428 kg)/ 53.8 lb/ft <sup>2</sup> (262 kg/m <sup>2</sup> )	Min - 83 U.S. gal (314 liters) Max - 92 U.S. gal (348 liters)	170 lb (77 kg)	Not Available	Factory Installed (BN60000 HEATER 230V)
<b>ELARA™ 6636 RH</b>	66" (1676 mm) L 36" (914 mm) W 26" (660 mm) H	18-1/2" (470 mm) A 9.6" (269 mm) B	64" x 34" (1626 mm x 864 mm) Umt Template Provided P/N DQ51000	847 lb (385 kg)/ 51.3 lb/ft <sup>2</sup> (250 kg/m <sup>2</sup> )	Min - 75 U.S. gal (284 liters) Max - 83 U.S. gal (314 liters)	164 lb (74.5 kg)	Not Available	Factory Installed (BN60000 HEATER 230V)
<b>ELARA™ 7242 RH</b>	72" (1829 mm) L 42" (1067 mm) W 26" (660 mm) H	18-1/2" (470 mm) A 9.6" (269 mm) B	70" x 40" (1778 mm x 1016 mm) Umt Template Provided P/N BZ50000	1060 lb (482 kg)/ 50.5 lb/ft <sup>2</sup> (246 kg/m <sup>2</sup> )	Min - 95 U.S. gal (360 liters) Max - 105 U.S. gal (398 liters)	178 lb (81 kg)	Not Available	Factory Installed (BN60000 HEATER 230V)
<b>FUZION™ 7236 WITH TEAK or WENGE RH</b>	70-11/16" (1795 mm) L 35-3/8" (899 mm) W 25-1/4" (641 mm) H	17" (432 mm) A 10-1/4" (260 mm) B	69-1/2" x 34-3/8" (1765 mm x 873 mm)	1180 lb (536 kg)/ 65.6 lb/ft <sup>2</sup> (319 kg/m <sup>2</sup> )	Min - 70 U.S. gal (265 liters) Max - 94 U.S. gal (360 liters)	200 lb (75 kg)	Not Available	Factory Installed (BN60000 HEATER 230V)
<b>FUZION™ 7236 UNDERMOUNT RH</b>	70-11/16" (1795 mm) L 35-3/8" (899 mm) W 24" (610 mm) H	17" (432 mm) A 10-1/4" (260 mm) B	Template Provided P/N DD42000	1145 lb (520.4 kg)/ 63.7 lb/ft <sup>2</sup> (310 kg/m <sup>2</sup> )	Min - 70 U.S. gal (265 liters) Max - 94 U.S. gal (360 liters)	165 lb (75 kg)	Not Available	Factory Installed (BN60000 HEATER 230V)
<b>FUZION™ 7260 WITH TEAK or WENGE RH</b>	72" (1829 mm) L 60" (1524 mm) W 25-1/4" (641 mm) H	16-3/4" (425 mm) A 12-1/16" (306 mm) B	71" x 59" (1803 mm x 1499 mm)	1805 lb (820 kg)/ 60 lb/ft <sup>2</sup> (292 kg/m <sup>2</sup> )	Min - 145 U.S. gal (549 liters) Max - 192 U.S. gal (727 liters)	274 lb (125 kg)	Not Available	Factory Installed (BN60000 HEATER 230V)
<b>FUZION™ 7260 UNDERMOUNT RH</b>	72" (1829 mm) L 60" (1524 mm) W 24" (610 mm) H	16-3/4" (425 mm) A 12-1/16" (306 mm) B	Template Provided P/N DD44000	1730 lb (786 kg)/ 57.6 lb/ft <sup>2</sup> (280.5 kg/m <sup>2</sup> )	Min - 145 U.S. gal (549 liters) Max - 192 U.S. gal (727 liters)	199 lb (90.5 kg)	Not Available	Factory Installed (BN60000 HEATER 230V)
<b>REAL™ RH</b>	72" (1829 mm) L† 42" (1067 mm) W 26" (660 mm) H	20" (508 mm) A 14" (356 mm) B	70" x 40" (1778 mm x 1016 mm)	1230 lb (559 kg)/ 58.83 lb/ft <sup>2</sup> (287 kg/m <sup>2</sup> )	Min - 62 U.S. gal (235 liters) Max - 90 U.S. gal (341 liters)	179 lb (81.4 kg)	Not Available	Factory Installed (BN60000 HEATER 230V)
<b>SABELLA™ RH</b>	72" (1829 mm) L 47" (1194 mm) W 26-1/2" (673 mm) H	20" (508 mm) A 14" (356 mm) B	Template Provided P/N P187000	1302 lb (592 kg)/ 55.3 lb/ft <sup>2</sup> (269 kg/m <sup>2</sup> )	98 U.S. gal (371 liters)	184 lb (84 kg)	Not Available	Factory Installed (BN60000 HEATER 230V)

† Add 1/4" (6,4 mm) to this dimension when roughing-in for 3-wall niche.

**NOTE: The overall dimensions are nominal with a tolerance of +0 and -1/4" (6,4 mm).**

**FOR ALL UNITS:** Electrical Service Requirements: All require a dedicated GFCI protected separate circuit.

Blower: 120 VAC, 20 AMP, 60 Hz. dedicated GFCI protected separate circuit.

Motor/Pump and RapidHeat™: 240 VAC, 20 AMP, 60 Hz. dedicated GFCI protected separate circuit.

<b>MITO™ 6 RH</b>	72" (1829 mm) L 42" (1067 mm) W 21-1/2" (546 mm) H	17-1/2" (445 mm) A 11-7/8" (302 mm) B	70" x 40" (1778 mm x 1016 mm)	1197 lb (544 kg)/ 57 lb/ft <sup>2</sup> (278 kg/m <sup>2</sup> )	Min - 62 U.S. gal (235 liters) Max - 90 U.S. gal (341 liters)	155 lb (70.5 kg)	Not Available	HEATER READY FOR FIELD INSTALLATION (S750000 HEATER 120V KIT)
-----------------------	--	--	-------------------------------------	---	--	---------------------	---------------	---

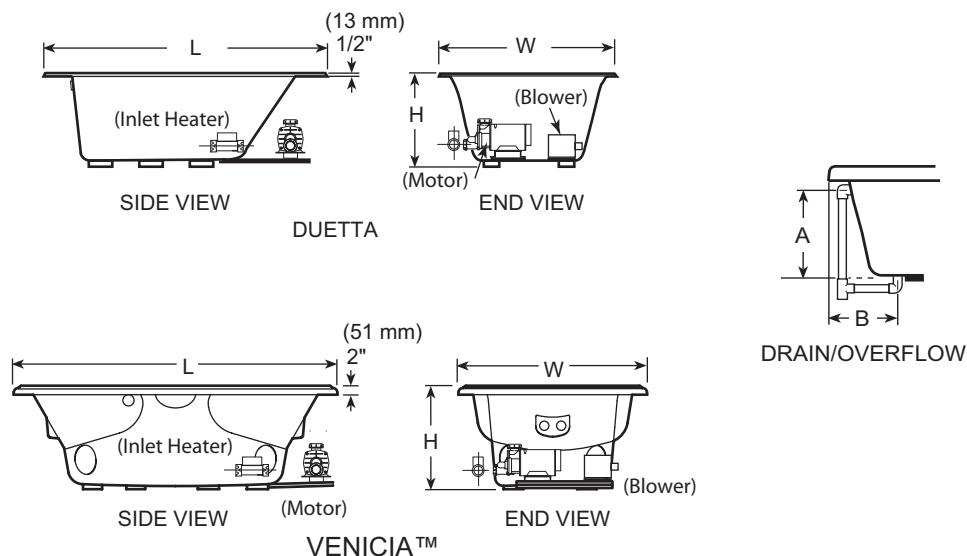
**NOTE: The overall dimensions are nominal with a tolerance of +0 and -1/4" (6,4 mm).**

**FOR MITO™ UNIT:** Electrical Service Requirements: It requires a dedicated GFCI protected separate circuit.

Blower and Motor/Pump: 120 VAC, 20 AMP, 60 Hz. dedicated GFCI protected separate circuit.

# SPECIFICATIONS

## OVAL AND ROUND BATHS



## SPECIFICATIONS (Oval and Round) RH = RIGHT HAND

MODEL	DIMENSIONS	DRAIN/OVERFLOW	CUTOUT	TOTAL WEIGHT/ FLOOR LOADING	OPERATING GALLONAGE	PRODUCT WEIGHT	SKIRT & MOUNTING	HEATER
<b>DUETTA™ 6042</b> RH	60" (1524 mm) L 42" (1067 mm) W 26" ( 660 mm) H	18.4" (467 mm) A 11" (279 mm) B	Template Provided P/N DA09000	999 lb (454 kg)/ 57.1 lb/ft <sup>2</sup> (278 kg/m <sup>2</sup> )	Min - 77 U.S. gal (291 liters) Max - 83 U.S. gal (314 liters)	110 lb (50 kg)	Not Available	Factory Installed (BN60000 HEATER 230V)
<b>DUETTA™ 6636</b> RH	66" (1676 mm) L 36" ( 914 mm) W 26" ( 660 mm) H	18.4" (467 mm) A 11" (279 mm) B	Template Provided P/N DA08000	1027 lb (467 kg)/ 62.3 lb/ft <sup>2</sup> (303 kg/m <sup>2</sup> )	Min - 75 U.S. gal (284 liters) Max - 80 U.S. gal (303 liters)	160 lb (72.7 kg)	Not Available	Factory Installed (BN60000 HEATER 230V)
<b>DUETTA™ 6642</b> RH	66" (1676 mm) L 42" (1067 mm) W 26" ( 660 mm) H	18.4" (467 mm) A 11" (279 mm) B	Template Provided P/N DA07000	1106 lb (503 kg)/ 57.5 lb/ft <sup>2</sup> (280 kg/m <sup>2</sup> )	Min - 90 U.S. gal (341 liters) Max - 95 U.S. gal (360 liters)	117 lb (53 kg)	Not Available	Factory Installed (BN60000 HEATER 230V)
<b>DUETTA™ 7242</b> RH	72" (1829 mm) L 42" (1067 mm) W 26" ( 660 mm) H	18.4" (467 mm) A 11" (279 mm) B	Template Provided P/N DA06000	1277 lb (580.5 kg)/ 60.8 lb/ft <sup>2</sup> (296 kg/m <sup>2</sup> )	Min - 98 U.S. gal (371 liters) Max - 106 U.S. gal (401 liters)	130 lb (59 kg)	Not Available	Factory Installed (BN60000 HEATER 230V)
<b>VENICIA™</b> RH	72" (1829 mm) L 42" (1067 mm) W 26" ( 660 mm) H	20" (508 mm) A 14" (356 mm) B	Template Provided P/N P187000	1230 lb (559 kg)/ 58.83 lb/ft <sup>2</sup> (287 kg/m <sup>2</sup> )	90 U.S. gal (341 liters)	179 lb (81.4 kg)	Not Available	Factory Installed (BN60000 HEATER 230V)

**NOTE: The overall dimensions are nominal with a tolerance of +0 and -1/4" (6,4 mm).**

**FOR ALL UNITS:** Electrical Service Requirements: All require a dedicated GFCI protected separate circuit.

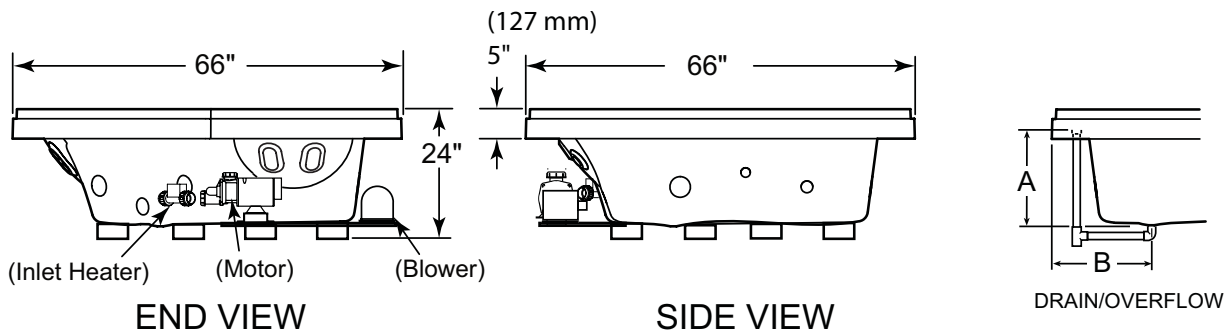
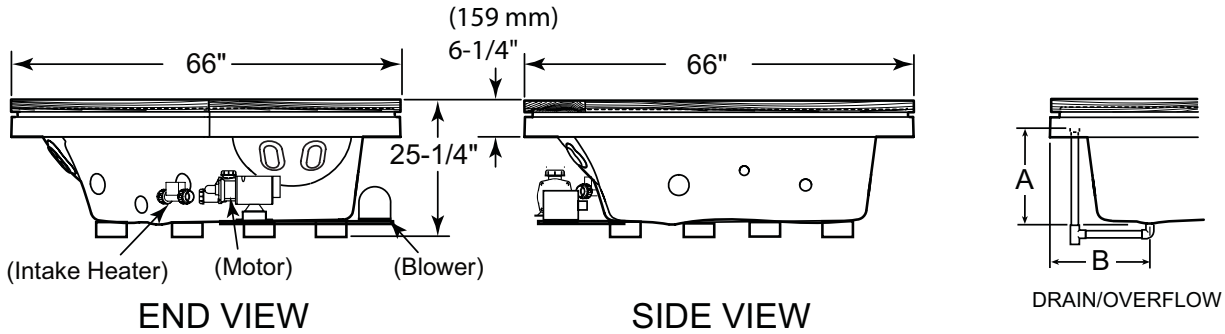
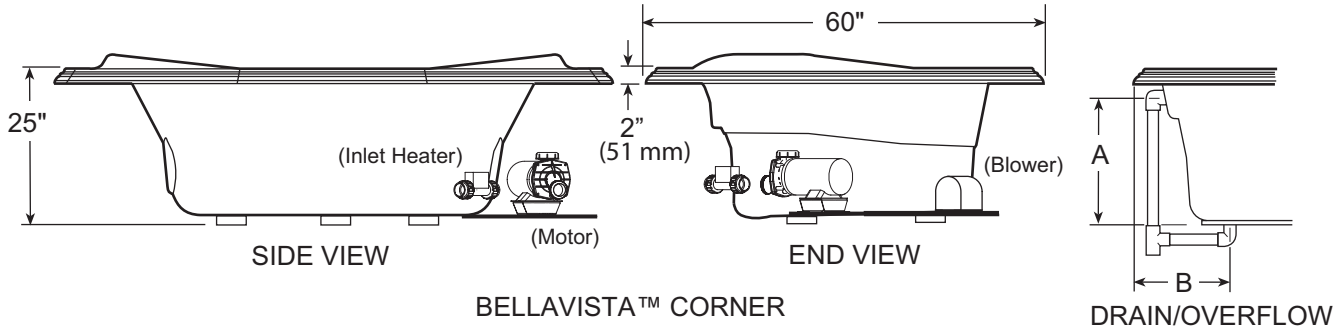
Blower: 120 VAC, 20 AMP, 60 Hz. dedicated GFCI protected separate circuit.

Motor/Pump and RapidHeat™: 240 VAC, 20 AMP, 60 Hz. dedicated GFCI protected separate circuit.

# SPECIFICATIONS

## CORNER BATHS

ENGLISH



### SPECIFICATIONS (Corner) RH = RIGHT HAND

MODEL	DIMENSIONS	DRAIN/OVERFLOW	CUTOUT	TOTAL WEIGHT/ FLOOR LOADING	OPERATING GALLONAGE	PRODUCT WEIGHT	SKIRT & MOUNTING	HEATER
<b>BELLAVISTA CORNER RH</b>	60" (1524 mm) L 60" (1524 mm) W 25" (635 mm) H	18-7/8" (479 mm) A 14" (356 mm) B	Template Provided P/N P654000	1165 lb (530 kg)/ 49.6 lb/ft <sup>2</sup> (242 kg/m <sup>2</sup> )	Min - 77 U.S. gal (291 liters) Max - 83 U.S. gal (314 liters)	110 lb (50 kg)	Not Available	Factory Installed (BN60000 HEATER 230V)
<b>FUZION™ 6666 WITH TEAK or WENGE RH</b>	66" (1676 mm) L 66" (1676 mm) W 25-1/4" (641 mm) H	16-13/16" (427 mm) A 12-1/8" (308 mm) B	See Page 12	1923 lb (874 kg)/ 72.6 lb/ft <sup>2</sup> (354 kg/m <sup>2</sup> )	Min - 124 U.S. gal (469 liters) Max - 176 U.S. gal (666 liters)	256 lb (116.4 kg)	Not Available	Factory Installed (BN60000 HEATER 230V)
<b>FUZION™ 6666 UNDERMOUNT RH</b>	66" (1676 mm) L 66" (1676 mm) W 24" (610 mm) H	16-13/16" (427 mm) A 12-1/8" (308 mm) B	Template Provided P/N DD43000	1851 lb (841 kg)/ 69.8 lb/ft <sup>2</sup> (340 kg/m <sup>2</sup> )	Min - 124 U.S. gal (469 liters) Max - 176 U.S. gal (666 liters)	184 lb (83.5 kg)	Not Available	Factory Installed (BN60000 HEATER 230V)

**NOTE: The overall dimensions are nominal with a tolerance of +0 and -1/4" (6,4 mm).**

**FOR ALL UNITS:** Electrical Service Requirements: All require a dedicated GFCI protected separate circuit.

Blower: 120 VAC, 20 AMP, 60 Hz. dedicated GFCI protected separate circuit.

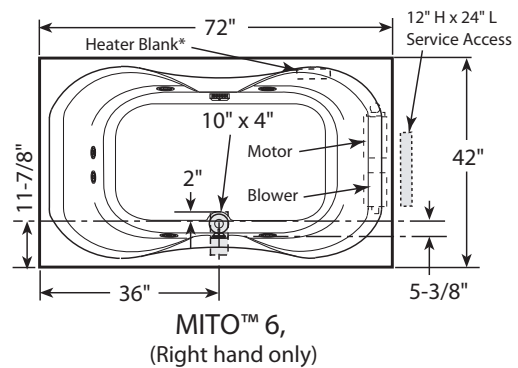
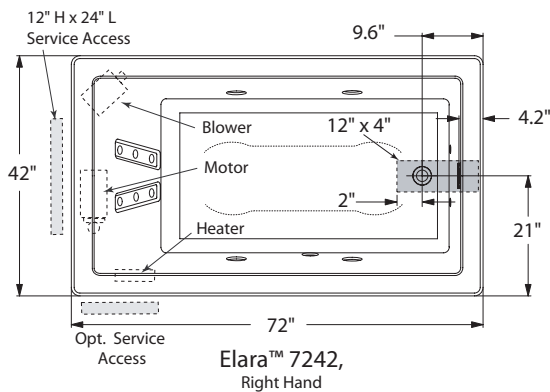
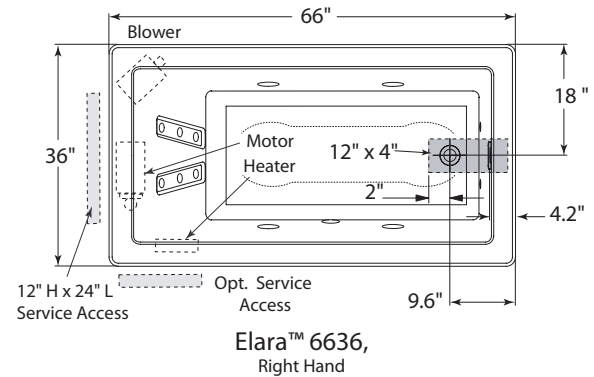
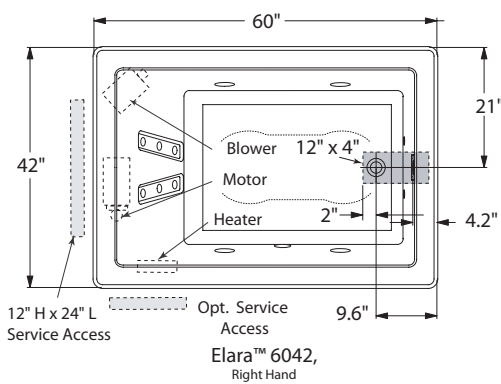
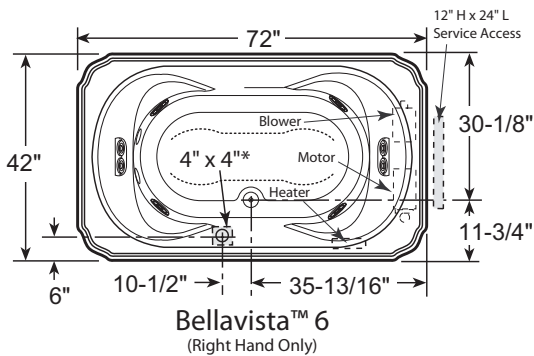
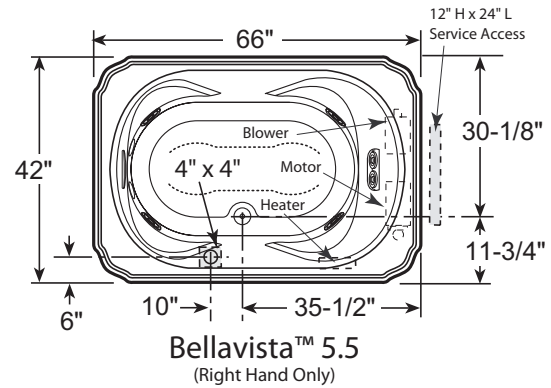
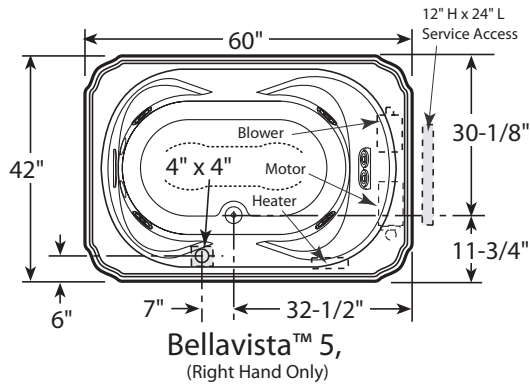
Motor/Pump and RapidHeat™: 240 VAC, 20 AMP, 60 Hz. dedicated GFCI protected separate circuit.



# ROUGHING-IN REFERENCE

Some tubs are supplied with cutout template and/or undermount template. Refer to CUTOUT on pages 6-8 for template part numbers.

ENGLISH



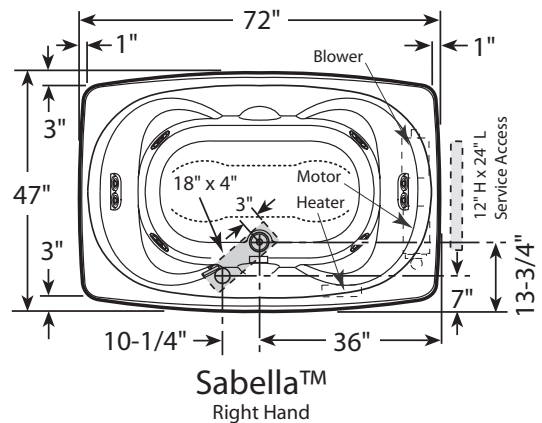
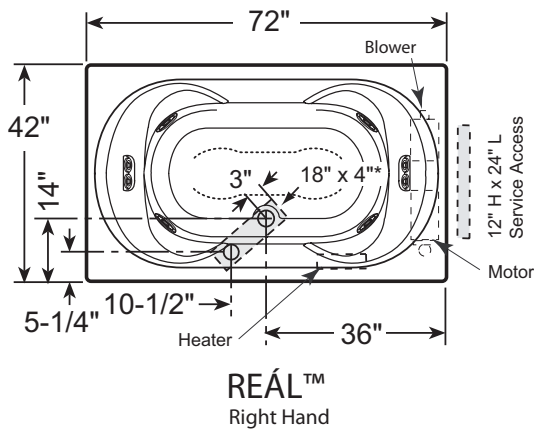
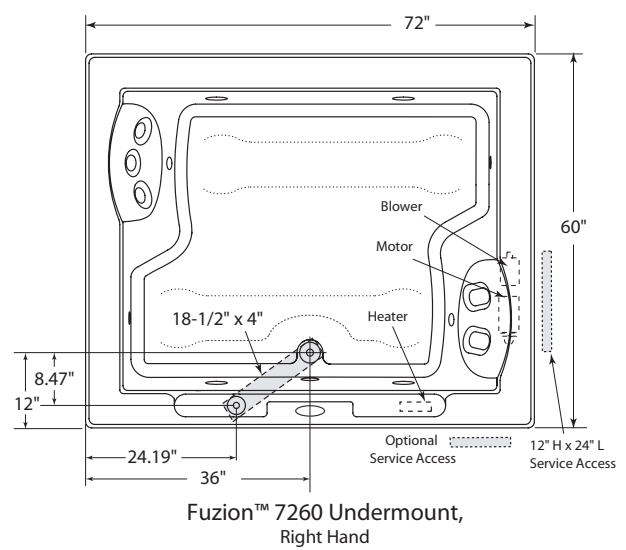
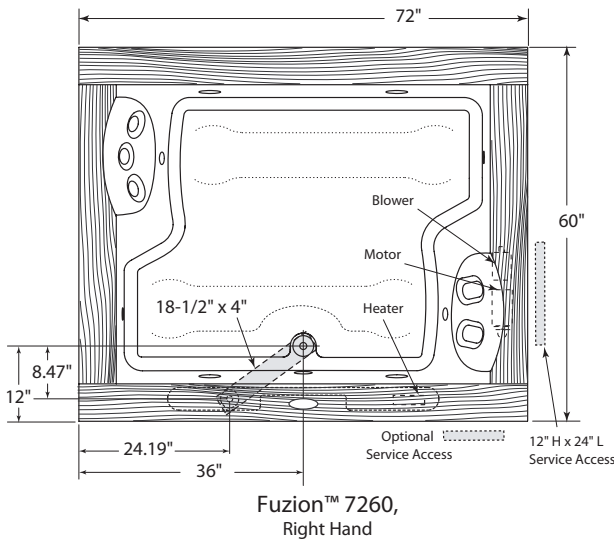
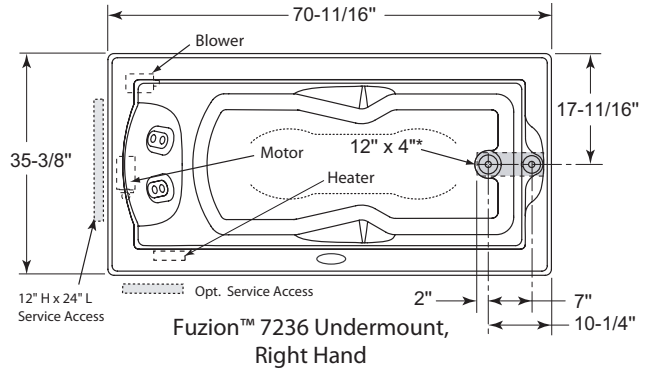
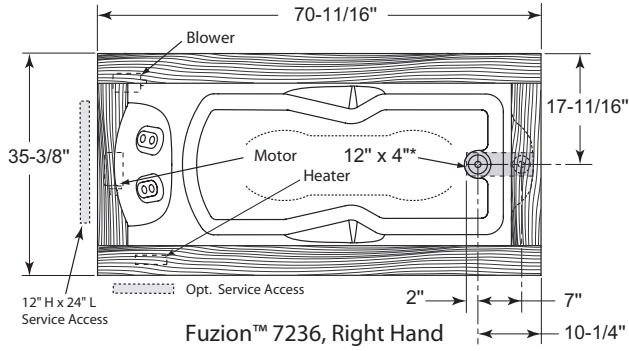
\*MITO™ 6 COMES WITH HEATER BLANK ONLY.  
INLINE HEATER MUST BE PURCHASED SEPARATELY.

- NOTE: 1. THE OVERALL DIMENSIONS ARE NOMINAL WITH A TOLERANCE OF +0 AND -1/4" (6,4 mm).  
 2. Measurements inside each unit represent cutout in floor to allow for drain/overflow.  
 3. All measurements are in inches. To convert to millimeters, multiply inches by 25.4.  
 4. Service Access dimensions given are minimum size.

# ROUGHING-IN REFERENCE

Some tubs are supplied with cutout template and/or undermount template. Refer to CUTOUT on pages 6-8 for template part numbers.

ENGLISH

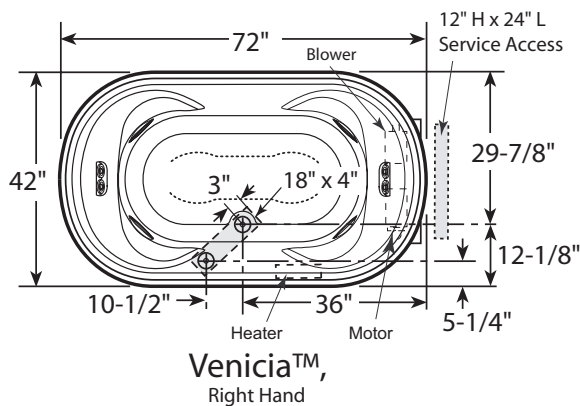
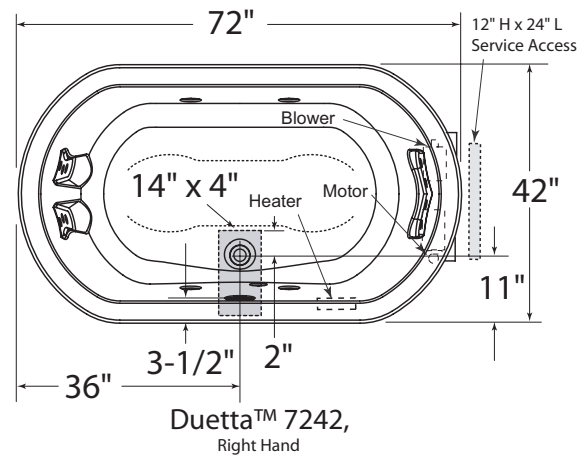
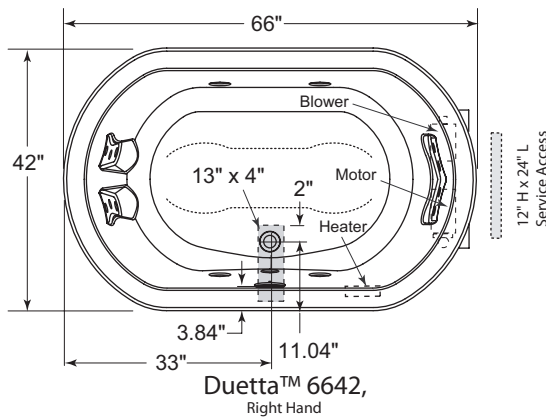
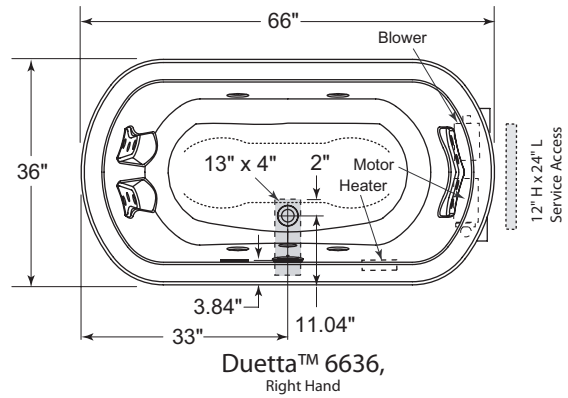
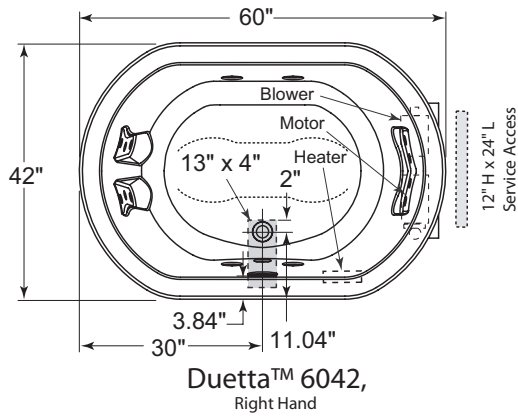


- NOTE: 1. THE OVERALL DIMENSIONS ARE NOMINAL WITH A TOLERANCE OF +0 AND -1/4" (6,4 mm).  
 2. Measurements inside each unit represent cutout in floor to allow for drain/overflow.  
 3. All measurements are in inches. To convert to millimeters, multiply inches by 25.4.  
 4. Service Access dimensions given are minimum size.

## ROUGHING-IN REFERENCE

Some tubs are supplied with cutout template and/or undermount template. Refer to CUTOUT on pages 6-8 for template part numbers.

NOTE: On oval tubs the motor and blower mounting plates extend beyond the bath rim.

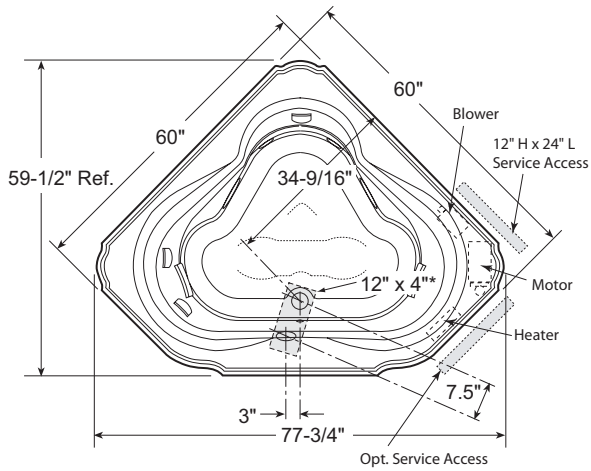


- NOTE: 1. THE OVERALL DIMENSIONS ARE NOMINAL WITH A TOLERANCE OF +0 AND -1/4" (6,4 mm).  
 2. Measurements inside each unit represent cutout in floor to allow for drain/overflow.  
 3. All measurements are in inches. To convert to millimeters, multiply inches by 25.4.  
 4. Service Access dimensions given are minimum size.

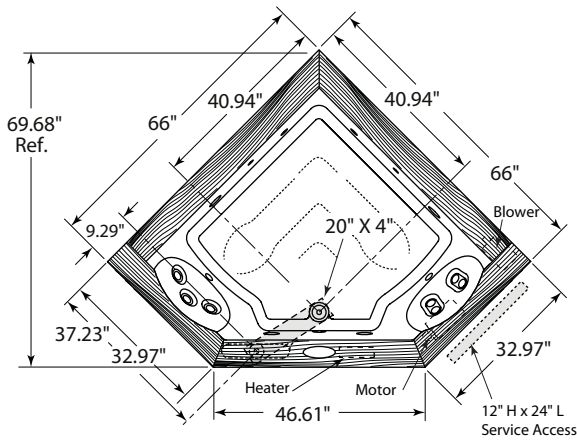
# ROUGHING-IN REFERENCE

Some tubs are supplied with cutout template and/or undermount template. Refer to CUTOUT on pages 6-8 for template part numbers.

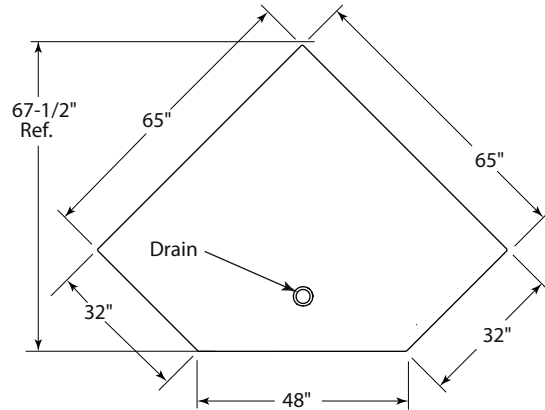
ENGLISH



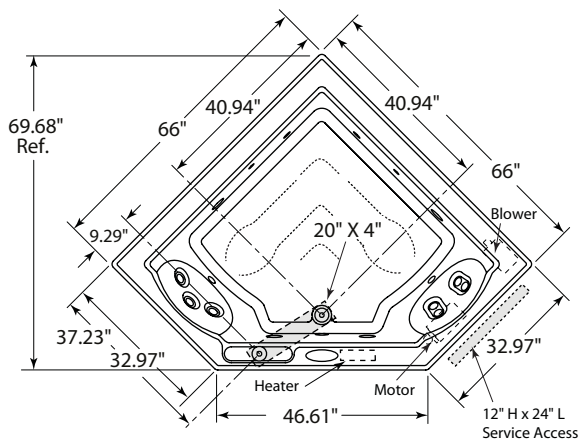
## Corner Bath Cutout



Fuzion™ 6666,  
Right Hand



CUTOUT  
Fuzion™ 6666,  
Right Hand units with Teak or Wenge



Fuzion™ 6666 Undermount,  
Right Hand

- NOTE: 1. THE OVERALL DIMENSIONS ARE NOMINAL WITH A TOLERANCE OF +0 AND -1/4" (6,4 mm).  
 2. Measurements inside each unit represent cutout in floor to allow for drain/overflow.  
 3. All measurements are in inches. To convert to millimeters, multiply inches by 25.4.  
 4. Service Access dimensions given are minimum size.

# INSTALLATION

## Framing and Support

The drain/overflow of the bath extends below the bottom of the bath. Note that this requires a cutout in the floor.

**The floor structure beneath the bath must be able to support a total weight of bath, water, and bather. Refer to the table under total weight for your model.** The unit must be supported from the bottom of the bath and **not** from the bath rim or nailing flange. If the subfloor is level and a continuous surface, no other preparation is necessary. You can proceed to install the bath. If the subfloor is not level, you **MUST** level the entire surface prior to installing the bath. The use of materials that shim or provide a level installation are allowed provided the method used will insure a level bath that is supported from the bottom. Materials that may be used are a floor leveling compound, mortar, plaster or minimal expansion structural foam; however the bath must remain level in order for it to drain properly and all foam feet must make full contact with the leveling material. Both sides of a joint or splice of subfloor should be level to each other.

**NOTE: Drop-In Bath units are equipped with metal anchor straps. These straps can be used to secure the unit to the floor or sub-floor to reduce movement after installation. If mortar or similar anchoring material is used, these straps are not necessary.**

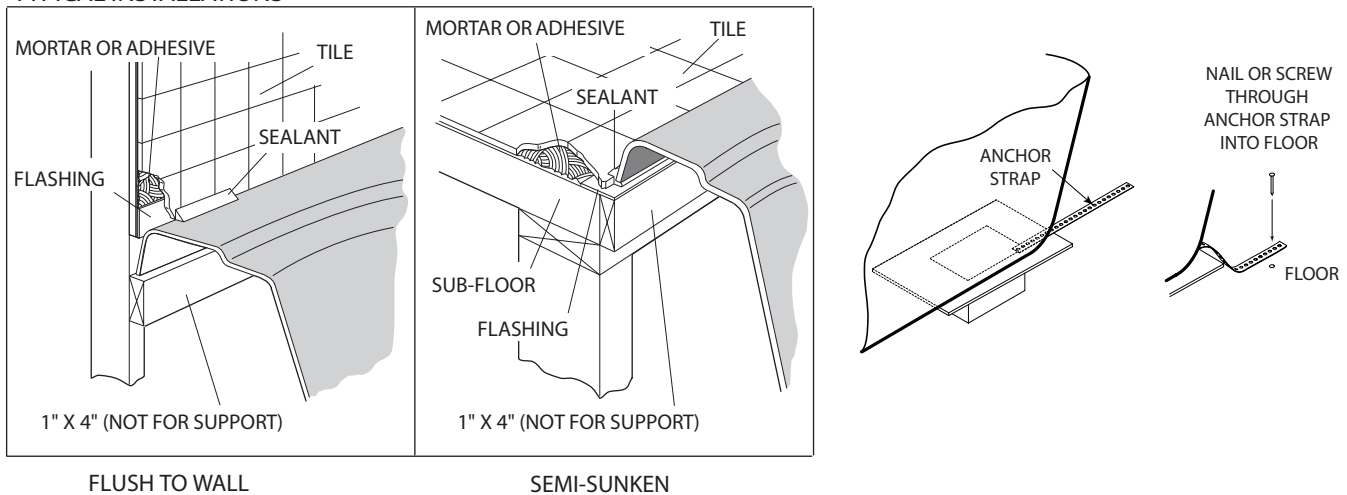
**WARNING:** ALL foam feet must contact the floor. Anchoring straps and/or other anchoring materials will not properly anchor unit if ALL foam feet are NOT in contact with a level floor. Operating a unit improperly installed may cause irreparable damage to the unit.

The rim of the bath is not designed to support weight. If finish material is to overlap or contact the bath, the added weight must be fully self-supporting.

Install optional trim parts when all installation has been completed.

**The protective film liner inside the bath is used to help prevent damage to the finish during installation. Before installation, remove liner to inspect for any defects, reapply and do not remove until final cleanup.**

## TYPICAL INSTALLATIONS



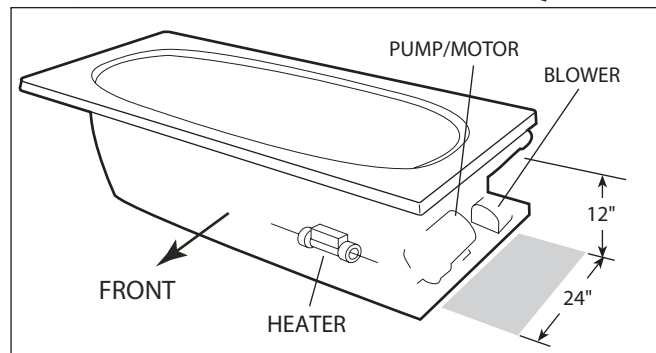
## Service Access

For partially or fully sunken installations, allow for access to service connections. It is the installer's responsibility to provide sufficient service access. The recommended minimum dimensions allowable for service to the bath are shown in the "Service Access" illustration below.

Provide adequate ventilation for cooling and to supply sufficient air for the blower. Also provide adequate area around unit for air circulation for cooling the motor and to supply sufficient air to the jets.

Do not insulate this area or around blower or motor.

## PUMP/MOTOR & BLOWER SERVICE ACCESS - REQUIRED



# INSTALLATION

## Electrical Connections

Two (2) separate Ground Fault Circuit Interrupter (GFCI) are required for the Salon™ Spa units (except Mito™ 6). The Mito™ 6 requires a single Ground Fault Circuit Interrupter (GFCI). Electrical connections should be performed by a licensed electrician.

A separate 240 VAC, 20 AMP, GFCI electrical circuit is required for the heater and pump/motor for all units **except the Mito™ 6**. The Mito™ 6 requires a separate **120 VAC, 20 AMP**, GFCI electrical circuit.

A separate 120 VAC, 20 AMP, GFCI electrical circuit is required for the blower (except Mito™ 6).

**DANGER: RISK OF ELECTRIC SHOCK. Connect only to a circuit protected by a Ground Fault Circuit Interrupter.**

**DANGER: RISK OF COMPONENT OVERHEAT. Do NOT use electric extension cord to provide power to unit.**

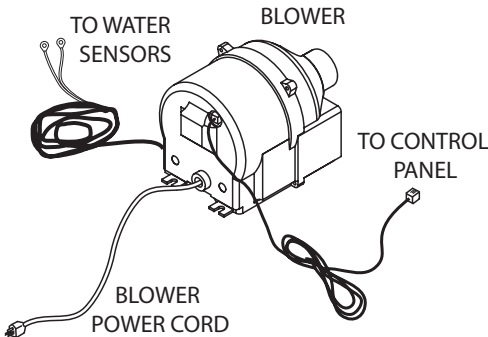
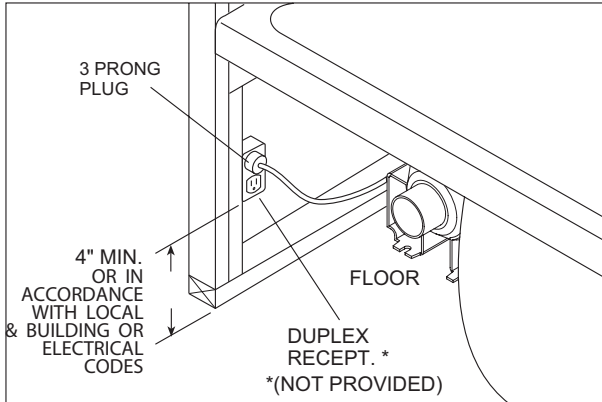
**CAUTION:** Operating the motor/pump without enough water in the bath can cause leaking and permanent damage to the pump.

**NOTE:** At initial start up the 8 button electronic control system enters an automatic self diagnostic program for 15-20 seconds. During the diagnostic program the system will not accept user commands.

### BLOWER (Except Mito™ 6)

Install a 120 VAC, 20 AMP, GFCI duplex outlet to the stud-wall underneath the bathtub, at least 4 inches (10,2 cm) above the floor. The duplex outlet is not provided.

ELECTRICAL CONNECTION - BLOWER



**DANGER: RISK OF ELECTRIC SHOCK. Before servicing these connections disconnect all power supply to both 120 VAC service and 240 VAC service.**

### PUMP/MOTOR AND HEATER (Except Mito™ 6)

Install a 240 VAC, 20 AMP RATED GFCI single outlet to the studwall underneath the bathtub, at least 4 inches (10,2 cm) above the floor. The single outlet is not provided.

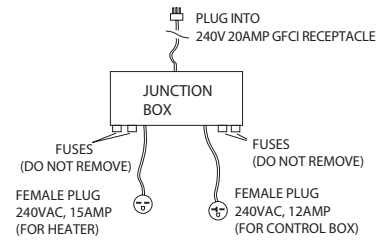
Power cords from the heater and the pump/motor are routed to a fused junction box at the factory. A supplied power cord from the junction box with a 240 VAC plug connects to the customer supplied GFCI dedicated circuit.

With a #8 solid copper wire, bond the heater to the house electrical panel or approved local bond. A bonding lug is provided on the heater.

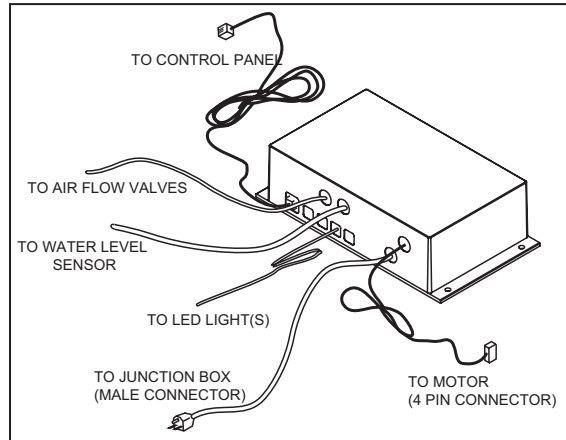
At initial start-up and before each use thereafter with power ON, push the GFCI test button. The reset button should pop out. Push this button in to reset. If the interrupter fails to operate in this manner, there is a ground current flowing or a device malfunction, indicating the possibility of electrical shock. **Turn OFF power and do not use the bath until the source of the problem has been identified and corrected.**

**DANGER: RISK OF ELECTRIC SHOCK. Before servicing these connections disconnect all power supply to both 120 VAC service and 240 VAC service.**

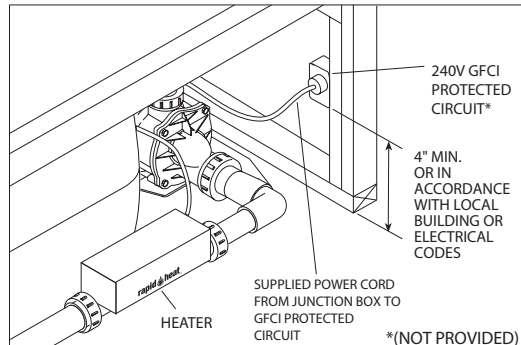
JUNCTION BOX CONNECTIONS



SALON™ SPA CONTROL BOX CONNECTIONS



ELECTRICAL CONNECTION - HEATER AND PUMP/MOTOR



## Electrical Connections (continued)

### PUMP/MOTOR AND BLOWER FOR MITO™ 6

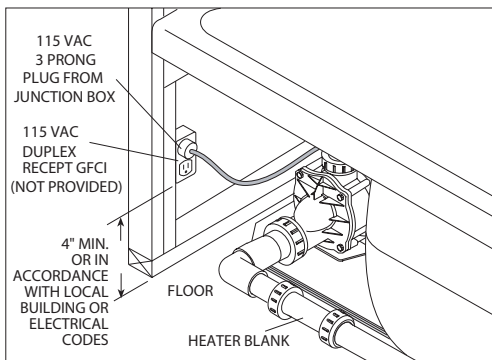
The Mito™ 6 unit comes with a blower, a pump/motor, and a heater blank. The Inline Heater must be purchased separately. Follow the installation instructions provided with the Inline Heater if an Inline Heater has been purchased separately and is to be installed at this time. The blower and pump motor are connected to a 120 VAC junction box.

Install a 120 VAC, 20 AMP RATED GFCI single outlet to the studwall underneath the bathtub, at least 4 inches (10,2 cm) above the floor. The single outlet is not provided. A supplied power cord from the junction box with a 120 VAC plug connects to the customer supplied GFCI dedicated circuit.

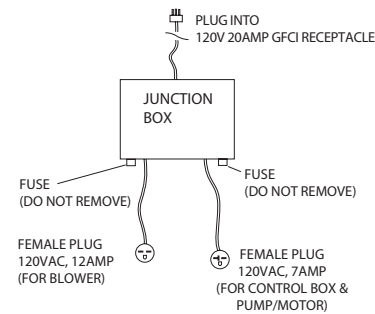
At initial start-up and before each use thereafter with power ON, push the GFCI test button. The reset button should pop out. Push this button in to reset. If the interrupter fails to operate in this manner, there is a ground current flowing or a device malfunction, indicating the possibility of electrical shock. **Turn OFF power and do not use the bath until the source of the problem has been identified and corrected.**

**DANGER: RISK OF ELECTRIC SHOCK. Before servicing these connections disconnect all power supply to 120 VAC service.**

ELECTRICAL CONNECTION



JUNCTION BOX CONNECTIONS



## INSTALLATION

### FUZION™ Control Panel Installation

**NOTE:** The Fuzion™ control panel is delivered loose and must be installed during the tub install.

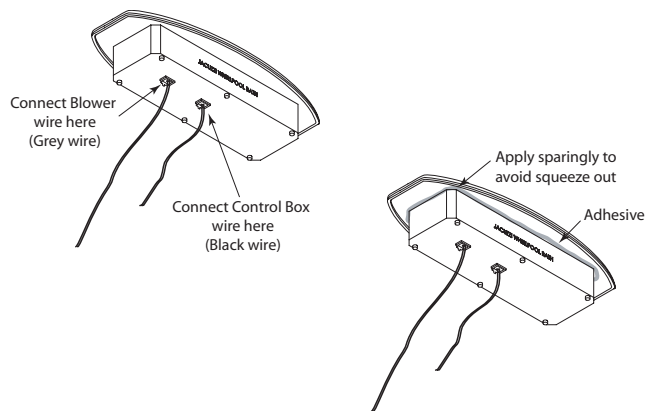
For Fuzion™ drop-in and undermount installations, install the control panel as shown below.

The control panel cutout opening in the assembled wood frame and tub and in the assembled counter and tub must be clear and free of adhesive.

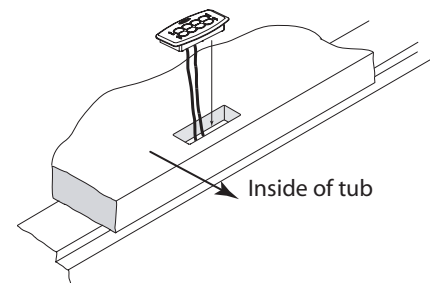
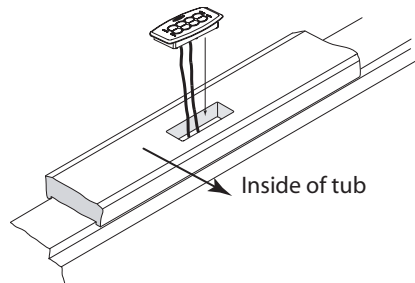
Control panel and wire to be free of defects. Insert wire into panel connector.

Apply adhesive sparingly around base of control panel.

Thread wire through cutout and to control box. Orientate control panel so that the Jacuzzi logo is read from the inside of the tub. Lower control panel in cutout and press firmly to embed adhesive.



Connect wire to control box.



# Plumbing and Water Supply

## Drain Information

A drain/overflow assembly (sold separately) must be installed on the bath, water tested, and connected to the sanitary system of the house. After opening the carton, inspect for damage and verify that the kit is of the proper finish. In the Jacuzzi Whirlpool Bath drain/overflow kit (supplied with some models), note that the waste flange, strainer, overflow cover and cover screws are packaged in a separate package within the kit to protect the trim finish. Follow the installation instructions provided with the drain/overflow kit. After the drain is fully installed, test for proper drainage. If the unit does not drain properly, rectify this condition before proceeding with the installation. Jacuzzi Whirlpool Bath is not responsible for removal and or reinstallation costs.

**NOTE: Watertight installation of the drain is the installer's responsibility. Drain leakage is excluded from the Jacuzzi Whirlpool Bath warranty of this product.**

**NOTE: FUZION™ TUBS ONLY - The supplied overflow fitting of the drain/overflow assembly MUST be installed before the wood frame or (for undermount tubs) the counter is installed.**

## Plumbing

Pump, jets, and suction fittings for the whirlpool system are factory plumbed in schedule 40 PVC piping.

All Jacuzzi Whirlpool Salon™ Spa Bath products are factory tested for proper operation and watertight connections prior to shipping. If leaks are detected, notify your Jacuzzi Whirlpool Bath Dealer. Do not install the unit.

## Water Supply

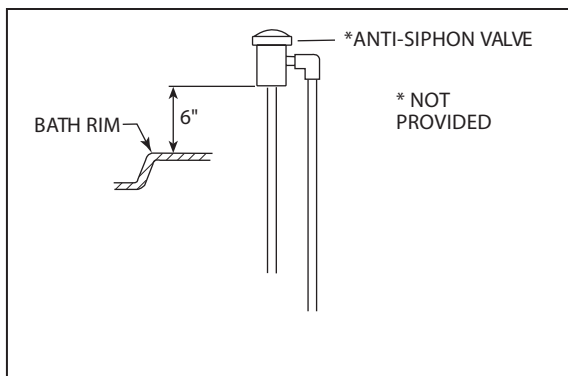
Consult local authorities for plumbing code requirements in your area.

**IMPORTANT: Proper installation of the fill spout plumbing and compliance with local codes are the responsibility of the installer. Jacuzzi Whirlpool Bath does not warrant connections of water supply fittings and piping, fill systems, or drain/overflow systems. Nor is it responsible for damage to the bath which occurs during installation.**

**CAUTION: A nonflammable protective barrier must be placed between soldering work and bath unit to prevent damage to the bath.**

## Anti-Siphon Valve (Optional)

Optional Anti-Siphon valve installation. The Anti-Siphon valve is not supplied with the tub. Consult your local plumbing code requirements for the minimum height above the tub rim.



## Fuzion™ Overflow Fitting Installation

The supplied overflow fitting of the drain/overflow assembly **MUST** be installed before the wood frame or (for undermount tubs) the counter is installed.

Remove and open the overflow fitting from the drain kit (supplied). Remove washers and nuts from the overflow fitting.

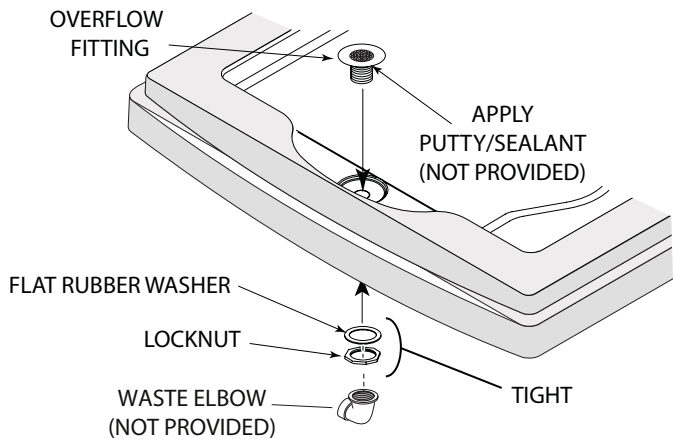
Place a small bead of plumbers putty, silicone, or similar approved sealant around the underside of the top flange. Place the overflow fitting into the overflow hole of the tub.

From the underside of the unit, place the rubber washer then locknut on the fitting and tighten securely. Be careful not to over tighten.

The 1-1/2" (38 mm) overflow fitting connects with standard drain plumbing fittings widely available at local hardware and plumbing stores. Assemble in accordance with local plumbing or building codes.

After the drain is fully installed, test for proper drainage. If the unit does not drain properly, rectify this condition before proceeding with the installation. Jacuzzi Whirlpool Bath is not responsible for removal and or reinstallation costs.

**NOTE: Watertight installation of the drain is the installer's responsibility. Drain leakage is excluded from the Jacuzzi Whirlpool Bath warranty of this product.**



## Clean-Up After Installation

To avoid dulling and scratching the surface of the bath, never use abrasive cleaners. A mild liquid detergent and warm water will clean soiled surfaces.

Remove spilled plaster with a wood or plastic edge. Metal tools will scratch the surface. Spots left by plaster or grout can be removed if lightly rubbed with detergent on a damp cloth or sponge.

Paint, tar, or other difficult surface stains can be removed with paint thinner, turpentine, or isopropyl alcohol (rubbing alcohol). **NOTE: Use these chemicals only on SURFACE stains.**

Minor scratches which do not penetrate the color finish can be removed by lightly sanding with 600-grit wet/dry sandpaper. You can restore the glossy finish to the acrylic surface of the bath with a special compound, Meguiar's #10 Mirror Glaze. If that is not available, use automotive rubbing compound followed by an application of automotive paste wax.

Major scratches and gouges which penetrate the acrylic surface will require refinishing. Ask your Jacuzzi Whirlpool Bath dealer for special instructions or visit our web site at <http://www.jacuzzi.com/> to find a service agent listing for Surface or Shell-Related Problems.



# OPERATING INSTRUCTIONS

## Operation

**NOTE:** These instructions pertain to all bath products manufactured by Jacuzzi Whirlpool Bath. Not all features discussed in this instruction pamphlet apply to all baths.

All baths manufactured by Jacuzzi Whirlpool Bath are designed for "fill and drain," which means the bath should be drained after each use and filled with fresh water by the next bather. This is a health precaution, as these baths are not designed to hold water continuously like pools or spas. If you want a unit designed to continuously hold water, see your Jacuzzi Whirlpool Bath dealer for the complete line of spas available.

Once the bath is installed, remove any residue or foreign materials left over from construction. Paint, tar, or other difficult surface stains can be removed with paint thinner, turpentine, or isopropyl alcohol (rubbing alcohol). **NOTE:** Use these chemicals only on SURFACE stains. Other dirt can be cleaned off with a mild liquid detergent on a damp cloth. Scrape off plaster with a wooden or plastic edge; **do not use metal scrapers, wire brushes or other metal tools, as they will damage the bath's surface.**

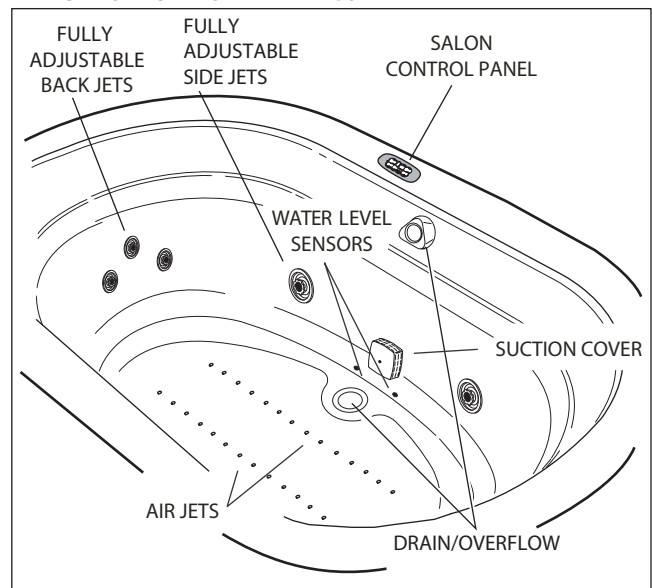
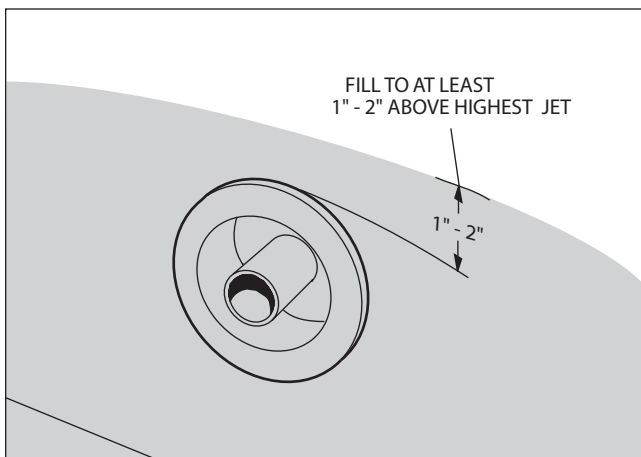
## Water Level

Close the drain and fill the bath until water is at least 1" to 2" (25,4 to 50,8 mm) above the highest jet (see water line indicated in the illustration). **Do not turn on the whirlpool system at any time if the jets are not completely immersed in water.** Running the whirlpool system when there is insufficient water in the bath could result in water spraying outside the bath area. Running the whirlpool system without water will damage the recirculating pump.

**IMPORTANT:** When exiting the bath, the water level will drop below the jets which could result in water being sprayed out of the unit. To prevent this, **you must turn unit OFF before exiting bath.**

## TYPICAL BATH FITTINGS

### TYPICAL SALON™ SPA FITTINGS



## CONTROL PANEL OPERATION (WHIRLPOOL AND AIR BATH) [EXCEPT MITO™ 6]



### Electronic Control Panel Operation (with standard Chromatherapy lighting)

All tubs in this product line (except the Mito™ 6) come with electronic controls and standard Chromatherapy lighting. Read and follow the operation instructions for the control system of your unit.

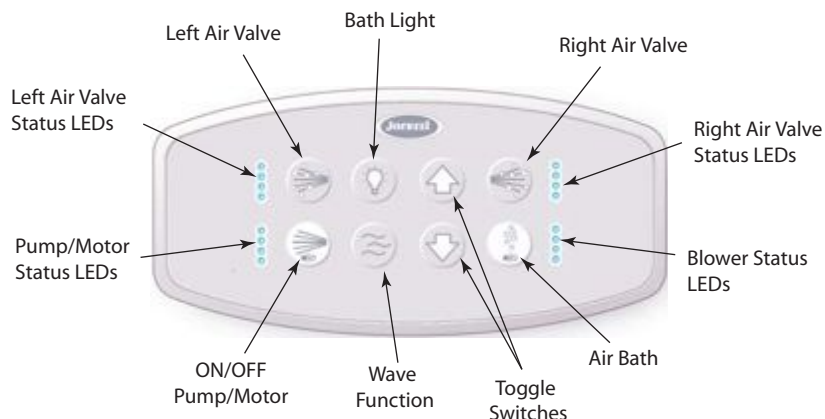
#### General Functions

This Jacuzzi tub is equipped with a eight button electronic control panel. The eight button panel controls a two speed pump/motor, Chromatherapy lighting, air controls, blower, and wave control. LED lights (on the control panel) indicate function levels. When switching between functions, the LED for the inactive functions will dim and the active function will brighten.

The bath is equipped with two water level sensors. When the water level is below the sensors, the pump/motor can not be activated. If the ON/OFF pump/motor button is pressed at this time, the pump/motor will not operate. When the water goes above the water level sensor, the pump/motor can be activated. If the water level drops below the level sensor, the pump/motor will shut OFF. To restart the pump/motor after the water level goes above the level sensor, the ON/OFF pump/motor button must be pressed. The pump/motor will automatically shut off 30 minutes after the pump/motor was turned on.

When the water level is below the sensors, the blower cannot be activated using the control panel. The blower will activate a Drain cycle and a Purge Cycle when two conditions are met: the water level is below the sensors and the controls have been shut down. See **Drain Cycle - Air Bath** on page 21 for an explanation of these cycles.

**NOTE:** Ensure the water level sensors located inside the bath are free of any soap or dirt buildup.



## Normal Operation (with the bath filled to the proper level)

### Pump/Motor Switch (ON/OFF )

Pressing the button will turn ON the two speed pump/motor at HIGH speed. Pressing a second time will turn OFF the pump/motor. To change speeds use the Toggle buttons.

### Pump/Motor Status LED

When the pump/motor is ON at HIGH speed all four LED indicator lights will be lit. When the pump/motor is ON at LOW speed the bottom LED indicator light will be lit.

### Left Air Valve Switch

Pressing this button will activate the left air valves using the Toggle buttons to increase/decrease air flow to the left set of jets. The air flow can be adjusted from no air to maximum air.

### Left Air Valve Status LED

The Left Air Valve Status LED will show four LED lights at maximum air and only one LED light when the air is turned OFF. Each additional LED indicates more air flow.

### Right Air Valve Switch

Pressing this button will activate the right air valves. Use the Toggle buttons to increase/decrease air flow to the right set of jets. The air flow can be adjusted from no air to maximum air.

### Right Air Valve Status LED

The Right Air Valve Status LED will show four LED lights at maximum air and only one LED light when the air is turned OFF. Each additional LED indicates more air flow.

### Bath Light Switch (ON/OFF )

Pressing this button will turn ON the white bath light(s). Pressing the Toggle buttons at this time will increase or decrease light intensity. Pressing the button a second time will access the saved favorite color. To cycle lighting colors use the Toggle button. Pressing the Toggle button again will stop the light cycling. The color displayed when the cycle has been stopped will be saved as your favorite color. Pressing the button a third time to turn OFF the light.

**NOTE:** When switching between functions, the LED for the inactive functions will dim and the active function will brighten.

### Wave Function Switch (ON/OFF )

Pressing this button activates wave action by opening and closing air valves. Pressing a second time will turn OFF the wave action.

- When pressing this button after pressing the Pump/Motor button or the Air Valve button the wave action will work on both Right and Left Air valves.

### Air Bath Switch

Pressing this button will activate the blower using the Toggle buttons to increase/decrease air flow from the blower. Blower air can be adjusted from low air to maximum air.

### Air Bath Status LED

The Air Bath Status LED will show four LED lights at maximum air and only one LED light when the air is turned OFF. Each additional LED indicates more air flow.

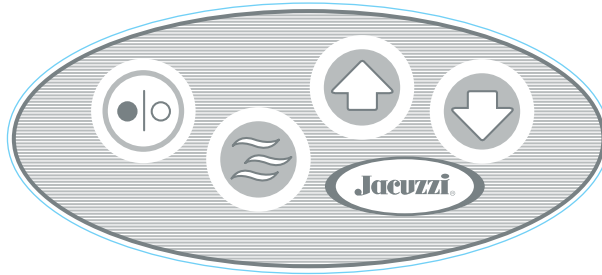
### Toggle Switches

The Toggle buttons, up and down , act on each of the other switches to increase, decrease, or modify functionality. Use the up arrow to increase and the down arrow to decrease.

- Pressing a toggle button after pressing the Pump/Motor button will increase or decrease speeds on the Pump/Motor. If the pump/motor is on HIGH speed press the down arrow to select LOW speed. If the pump/motor is on LOW speed press the up arrow to select HIGH speed.
- Pressing an up or down toggle button after pressing the Bath Light button once will increase or decrease the white light brightness. Pressing an up or down toggle button after pressing the Bath Light button twice will begin cycling the light colors. Leave the colors cycling or press the same toggle button again to stop the color cycling. With the lights stopped on a color pressing the Bath Light button a third time will turn OFF the light. (A favorite color will be saved ONLY when the cycling has been stopped on that color and then turned OFF.)
- Pressing a toggle button after pressing both the Pump/Motor button first and then the Wave Function button will increase or decrease wave action on both air valves. Pressing a toggle button after pressing either Air Valve buttons increase or decrease wave action on that air valve.
- Pressing a toggle button after pressing the Air Bath Switch increase or decrease the air flow through the bottom air channels.

## CONTROL PANEL OPERATION (WHIRLPOOL AND AIR BATH FOR MITO™ 6]

The Mito™ 6 has two control panels, one Air Bath and one Whirlpool.



### Control Panel Operation, Mito™ 6 Air Bath Controls

#### General Functions



**Normal Mode:** Press this button to turn the blower ON. The blower will be on for 20 minutes. The intensity may be changed by using either the up arrow button or the down arrow button. Pressing this button a second time will turn the blower OFF. When the blower is turned off the blower will continue to run for 10 seconds to allow the heater element to cool.



**Wave Mode:** Press this button to change the blower's power from a minimum to a user defined maximum. Press this button a second time to return to normal mode where the blower's power is constant.



In the Normal mode with the blower power constant, press the UP arrow to increase or the DOWN arrow to decrease. In Wave mode these buttons change the blower's power to a user defined maximum.



### Control Panel Operation, Mito™ 6 Whirlpool Controls

#### General Functions



The Electronic Control ON/OFF Switch, conveniently located on the bath, allows you to turn the whirlpool system on and off while in the bath. Simply push down on the switch button to turn on the whirlpool system. To turn the system OFF, push down on the button again.

The control switch will automatically shut OFF after 20 minutes. Push down on the switch button to restart the whirlpool system again.

## Controlling Whirlpool Action

After the electronic controls are set, the whirlpool action in your bath can be influenced by up to three additional factors – direction of flow, force of water, and (whirlpool jet) force of air. All baths manufactured by Jacuzzi Whirlpool Bath are equipped with fully adjustable or partially adjustable jets, which are adjustable for one or more of these factors. Some baths have only directionally adjustable jets which can be adjusted for direction and flow of air only.

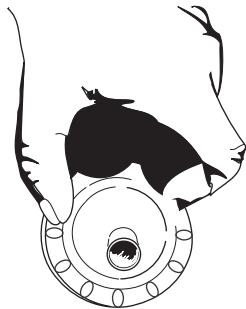
**Direction:** To change the direction of the water flow, swivel the jet nozzle to the desired angle. The jets can be directed individually toward any location on your body to provide a hydromassage. The jets can also be adjusted so that they all point in the same direction (clockwise or counterclockwise) to circulate the water in a circular motion around the bath, causing a total whirlpool effect.

**Water Force:** The high volume, fully adjustable jets can be adjusted to control the force of the water coming into the bath. For robust action, increase the force of the flow by rotating the jet handles to the left (counterclockwise). For a more gentle effect, rotate the handles to the right (clockwise). Closing one or more jets can increase the water force in the remaining jets.. **Never run the whirlpool system with all the jets closed.**

**Force of Air:** Buttons located on the bath control panel serve as controls for the whirlpool air induction system. The intensity of the hydromassage whirlpool action is determined by the amount of air inducted into the water by the hydromassage jets. As the amount of air is increased, the hydromassage action increases.

JET

FULLY  
ADJUSTABLE



## RapidHeat™

This heater is standard on all units except Mito™ 6. The Mito™ 6 comes with a heater blank installed. A heater kit (not provided) can be purchased and installed on the Mito™ 6. Follow the installation instructions provided with that kit if a heater kit is to be installed at this time.

### Operation

Once the heater is installed and the whirlpool pump is operating, the heating function is totally automatic. The heater will help maintain the temperature of the water in the bath.

### Vacuum/Pressure Switch

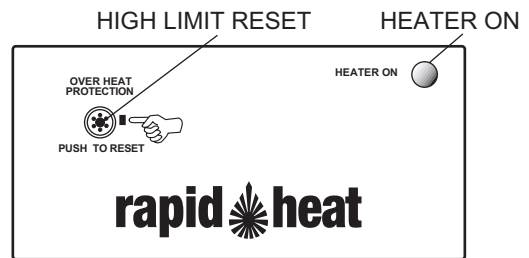
The heater is equipped with a preset vacuum switch or pressure switch which will not allow the heater to turn ON if the pump is not running and water flowing through the whirlpool system.

Vacuum switch is a water *inlet* unit.

Pressure switch is a water *outlet* unit.

### High-Limit Switch

The heater includes an exclusive High-Limit switch. This safety circuit will not false trip from hot tap water. It will only turn OFF the heater if the thermostat fails. To reset, press the button. If the high-limit trips frequently, contact your Authorized Electrical/Mechanical Service Provider. Visit our web site at <http://www.jacuzzi.com/> to find a Service Provider.



## MAINTENANCE INSTRUCTIONS

### Cleaning the Bath

To clean your bath, simply use a mild, nonabrasive liquid detergent solution. You can protect and restore the gloss to a dulled acrylic surface by applying Meguiar's #10 Mirror Glaze, a product specifically designed for use on acrylic finishes. If Meguiar's is not available, an acrylic polish of equal quality or automotive paste wax is acceptable.

**Never use abrasive household cleaners on any Jacuzzi Whirlpool Bath product.**

### Drain Cycle - Air Bath (8 button control)

The Drain Cycle feature is an integral part of and required to complete the draining process of the Jacuzzi Luxury/ Designer Air Bath and Salon™ Spa draining system. While the bathtub is being drained, after normal use, dual water sensors monitor the water level. The sensors are located near the tub drain. Once the dual water sensors detect a "No Water" condition this specially designed system will activate a 5 minute wait timer before activating the Blower. This action is indicated on the control panel by a slow flashing LED near the Blower ON/OFF button. If the unit has not been used during this 5 minute wait and the sensors have not detected water, the blower will automatically come on at various speeds over a 2-1/2 minute duration. The duration and speeds of the blower are exclusively matched for Jacuzzi Luxury/Designer Air Bath and Salon™ Spa products and are programmed to effectively reduce excessive accumulation of remaining bath water in the air plumbing.

If at any time during the Drain Cycle, the control panel is operated by the user or a system power recycle has occurred, the 5 minute timer will re-initialize and the above sequence will repeat to ensure the completion of the Drain Cycle.

NOTE: The Drain Cycle will activate on first power-up of the unit.

### Draining - Air Bath (Mito™ 6 air bath control)

If the bubble function is used, 60 minutes after the control has shut OFF (either with the ON/OFF button or at the end of a 20 minute cycle), the blower will come on for a 1 minute purge cycle to blow water out of the piping of the system.

If the bath is used without the bubble function, turn the blower ON then OFF. The blower will come on in 60 minutes for one minute.

A 24 hour purge cycle can be programmed to come on at the same time every day. To activate, hold the UP arrow button for 5 seconds when the blower/heater is OFF or waiting for the normal purge. If the unit is in standby for the normal purge when activating the 24 hour cycle, the normal purge will be cancelled. The purge will then come ON at the same time every day. To cancel the 24 hour cycle, press the UP arrow button.

### Bath Additives

**NOTE: DO NOT USE OIL OR OIL BASED BATH ADDITIVES.**

If you want to use any kind of bath additive, use only a small amount of low-foaming powder or crystal substance; the whirlpool action intensifies the foaming properties of soaps.

The use of certain bath oils, bubble baths, and bath additives may increase the level of accumulations of bath residue in the whirlpool system and may cause false reading of the water level sensors. If excess accumulations persist, you should discontinue use of these products.

### Purging the Whirlpool System

**NOTE: THE WHIRLPOOL SYSTEM SHOULD BE PURGED AT LEAST TWICE A MONTH**

To remove accumulations of bath residue from the whirlpool system, it is recommended that a whirlpool bath be purged at least twice a month. For best results, however, we recommend that you purge your whirlpool bath after each use using, Systems Clean™, our exclusive two-part plumbing system cleaner made specifically for whirlpool baths.

Systems Clean™ is available through an authorized Jacuzzi Whirlpool Bath Distributor or by calling us direct at 1-800-288-4002.

**Systems Clean™ Instructions for use:**

**⚠ CAUTION: DO NOT USE WHILE BATHING! USE EXTREME CAUTION WHEN HANDLING THIS PRODUCT!**

Immediately after bathing and exiting the whirlpool bath, leave the bath water in the tub and add more hot water. The water level in the tub must be at least 2" (50,8 mm) above the highest jet. NOTE: Inducted air from the hydromassage system will cause the Systems Clean™ contents to foam increasing odor. If your tub has air controls, turn OFF the whirlpool air control or turn it to the lowest setting and pour in the entire contents of PACKET #1 ONLY directly into the bath water. For best results, pour the System Clean into the tub near the intake for the circulation pump [suction cover/strainer] and be sure to avoid contact with your skin. Allow the whirlpool to run for 30 seconds and then add PACKET #2 ONLY. **It is important to use Packet #1 before Packet #2 to avoid a strong odor.** Allow the bath to run for 5 to 10 minutes then drain the tub completely. Refill the tub with cold water and run for 2 to 3 minutes. Drain completely and rinse off any residue.

**DANGER: Harmful if swallowed. Eye irritant. Protect your eyes, skin and mucus membranes from contact with this product or its concentrated solution. A strong alkaline product can cause severe burns to the eyes and skin.**

If you have followed the standard purging instructions above and still have an excess accumulation of bath residue and desire an alternative cleaning mechanism, we recommend **SUPER SYSTEMS CLEAN™ PLUS** manufactured by Stearns Packaging to rectify this condition. This may be obtained by contacting us at 1-800-288-4002. It is recommended that you follow the instructions provided by the manufacturer with the product. Repeated use may be necessary. **SUPER SYSTEMS CLEAN™ PLUS** does not replace the necessity to regularly purge your whirlpool system with Systems Clean as recommended.

# MAINTENANCE INSTRUCTIONS

## Repairs to the Surface

Minor scratches which do not penetrate the color finish can be removed by lightly sanding with 600-grit wet/dry sandpaper. Restore the gloss using Meguiar's Mirror Glaze a product specifically designed for use on acrylic finishes. If Meguiar's is not available, an acrylic polish of equal quality or automotive paste wax is acceptable.

**Never use abrasive household cleaners on any Jacuzzi Whirlpool Bath product.**

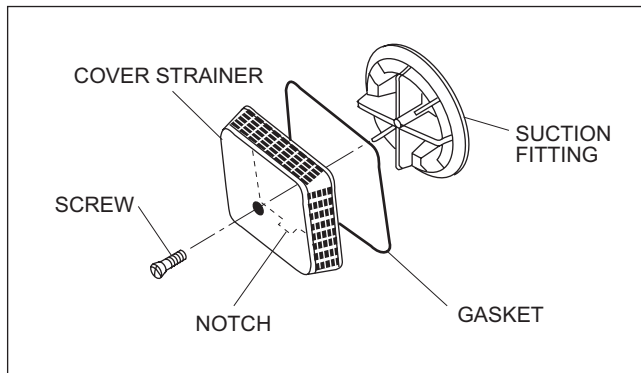
Major scratches and gouges which penetrate the acrylic surface will require refinishing. To obtain a referral for a service agent in your area call 1-800-288-4002 or visit our web site at <http://www.jacuzzi.com/>.

## Suction Cover/Strainer Maintenance

Clean the suction cover/strainer of hair and debris when necessary. To do this, remove the center screw and detach the square cover. Clean the cover by backflushing debris from the holes. Replace the suction cover immediately after cleaning. When reinstalling, orient the cover/strainer with the small notch at the bottom. The gasket must be inserted into the groove of the cover/strainer before reinstalling onto the suction fitting.

**CAUTION:** Keep hair a minimum of 6 inches (15,2 cm) away from the suction fitting at all times when the whirlpool system is operating. Hair longer than shoulder length should be secured close to the head, or a bathing cap should be worn. Do not operate the whirlpool system with the suction cover/strainer removed! It is a safety device and must always be in place on the suction fitting to minimize the potential hazard of hair and body entrapment.

## SUCTION COVER/STRAINER ASSEMBLY

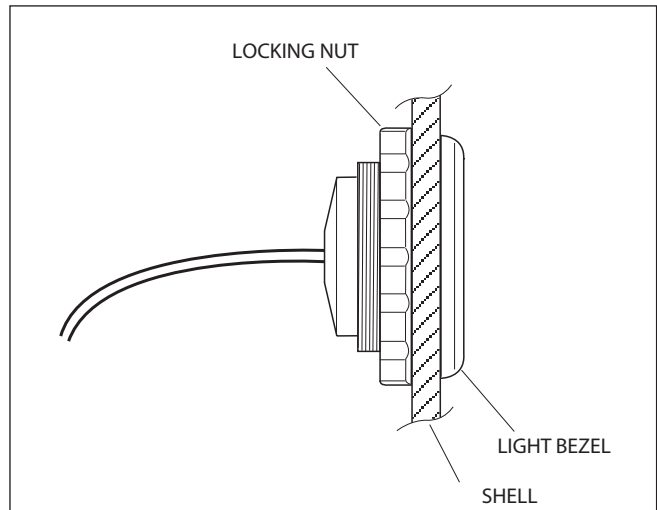


## Lamp

All units come standard with an underwater LED light fixture. There are no internal replacement parts for the LED light fixture.

Replacement fixtures are available from your Jacuzzi Whirlpool Bath dealer.

## LED LIGHT ASSEMBLY



## General Whirlpool Bath Troubleshooting Guide

PROBLEM	PROBABLE CAUSES	REMEDY
Pump/Motor does not start.	No power to pump/motor.	Reset GFCI.
	Pump/motor not plugged in.	Insert plug fully into outlet.
	Pump/motor faulty.	Replace pump/motor assembly.
Pump/Motor operates but no fully adjustable jets are functioning.	Jets are closed.	Open jets by rotate counterclockwise.
	Suction cover/strainer may be clogged.	With motor turned OFF, remove suction cover/strainer and remove any debris. <b>Replace suction cover before operating.</b>
Pump/Motor operates but air is not injected into water.	Air valves closed.	Open air control valves.
Water leakage from pump unions.	Overtightened, O-ring may be pinched or improperly seated, under tightened.	Untighten unions check and reseal O-ring. If O-ring has been pinched out of shape, replace (refer to number below). When tightening union nuts, <b>hand tighten only.</b>
Pump/motor shuts off by itself or with wall timer, before set time elapses.	Motor thermal protection has deactivated pump/motor due to overheating. (Supply voltage low.)	Let motor cool; thermal protection will reset. Check for proper ventilation. (Check supply voltage.)
	GFCI tripped.	Reset GFCI. If it continues to trip do not use this unit. Disconnect the unit and have the problem corrected by a licensed electrician before using.
	Inadequate supply wiring.	Consult a licensed electrician to correct wiring to unit.
Chromatherapy lights fail to operate.	Connector has come loose.	Consult the nearest Jacuzzi authorized service agent.

NOTE: If unit is within the warranty period, contact Jacuzzi Whirlpool Bath Service Support at 1-800-288-4002 with bath's serial number before work is started. The Serial Number is located on the Specification/Serial Number Plate. See page 24.



# AUTHORIZED SERVICE

If you need a referral for a service company near you, or need assistance with operation or maintenance related questions, please call our Service Support Department at 1-800-288-4002. Visit our web site at <http://www.jacuzzi.com/> for products and services.

To find service agent listings for:

Electrical or Mechanical Repairs visit <http://jacuzzi.com/pdf/ASA.PDF>

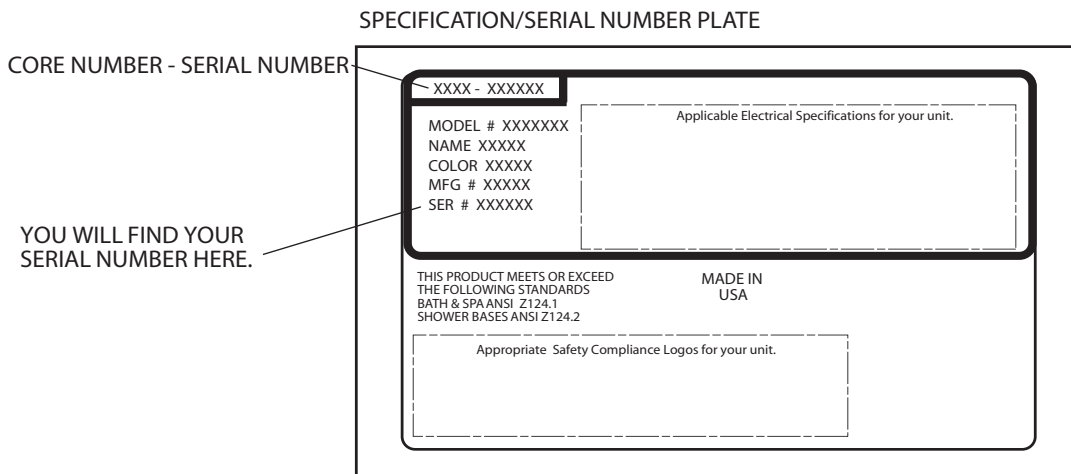
Finish, Surface, or Shell-Related Repairs visit <http://jacuzzi.com/pdf/AFC.PDF>

Repair Parts or Accessories visit <http://jacuzzi.com/pdf/MPD.PDF>

When requesting service or technical assistance please have available both the model and serial number of your unit. This information can be obtained from the product registration card provided with your unit. If the card has been misplaced, this information can be obtained from the specification/serial number label on the unit itself (for location of specification/serial number label see below).

## BATH PRODUCTS

Salon™ Spa baths: The label is located on the wall of the bath near the pump/motor.



**THIS PAGE LEFT BLANK.**

---

**PRODUCT SPECIFICATIONS ARE SUBJECT TO CHANGE WITHOUT NOTICE.**

**USE INSTALLATION INSTRUCTIONS SUPPLIED WITH PRODUCT.**

Jacuzzi Whirlpool Bath has obtained applicable code (standards) listings generally available on a national basis for products of this type. It is the responsibility of the installer/owner to determine specific local code compliance prior to installation of the product. Jacuzzi Whirlpool Bath makes no representation or warranty regarding, and will not be responsible for any code compliance.

**Jacuzzi Whirlpool Bath**

14801 Quorum Dr., Suite 400, Dallas, TX 75254

**Service Support:** 1-800-288-4002



Printed on Recycled Paper

Printed in the U.S.A.

# Jacuzzi Whirlpool Bath Limited Warranty Salon™ Spa Air Bath and Whirlpool Product

## WARRANTY COVERAGE

Jacuzzi Whirlpool Bath (the "Company") offers the following express limited warranty to the original purchaser of any Jacuzzi Whirlpool Bath Designer Collection Bath Product ("unit") who purchases the product for personal or single family use ("user"). The Company will repair or replace, at its option, the unit or its equipment in accordance with the following terms and conditions.

### TWO YEAR LIMITED WARRANTY ON BATHS

Our limited warranty on Salon™ Spa Bath products is for two (2) years. Our warranty covers the unit and factory-installed components (e.g., pump, motor, blower) against defects in material or workmanship. Warranty coverage begins on the date the unit was originally purchased by the user.

### FIVE YEAR (PARTS ONLY) LIMITED WARRANTY ON PUMP AND MOTOR

Our limited warranty on the pump and motor is for five (5) years for parts only. Warranty coverage begins on the date the unit was originally purchased by the user.

### NINETY DAY (PARTS ONLY) LIMITED WARRANTY ON OPTIONS AND ACCESSORIES

Our limited warranty on options and accessories manufactured by the Company is for ninety (90) days for parts only. Our warranty covers options and accessories manufactured by the Company (e.g., fill spout kits, trim kits, skirts) against defects of material or workmanship. Warranty coverage begins on the date the option or accessory was originally purchased by the user.

## WARRANTY LIMITATIONS

Our limited warranty does not cover defects, damage, or failure caused by the common carrier, installer, user, or other person, or resulting from, without limitation, any of the following: careless handling (lifting unit by plumbing, abrading finish, etc.); modification of any type for any reason (including modification to meet local codes); improper installation (including installation not in accordance with instructions and specifications provided with the unit); connections supplied by the installer of the equipment; improper voltage supply or unauthorized electrical modification; misuse; incorrect operation, or lack of proper routine maintenance; operation of the unit without specified minimum amount of water or at inappropriate water temperature; use of abrasive or improper cleaners; or acts of God, such as lightning, floods, earthquakes, etc.

In addition, THE COMPANY WILL NOT BE RESPONSIBLE FOR INCIDENTAL OR CONSEQUENTIAL DAMAGES or losses arising from any cause (e.g., water damage to carpet, ceiling, loss of use, etc.) including its own negligence; damages to, respecting, or resulting from: plated parts when pool and/or spa chemicals are used in the unit; optional bath equipment not manufactured by the Company but supplied by Dealer, installer or the Company; the unit's prior usage as an operational display; or defects that should have been discovered before installation. This limited warranty does not include: labor, transportation, or other costs incurred in the removal and/or reinstallation of the original unit and/or installation of a replacement unit; any costs relating to obtaining access for repair; or loss of use damage, including loss of sales, profit or business advantage of any kind under any circumstances. Bath units are excluded from any warranty coverage if any addition, deletion, or modification of any kind whatsoever has been made to the unit (or to any component).

Warranty coverage is provided in the United States of America only.

## EXCLUSION OF IMPLIED WARRANTIES

IMPLIED WARRANTIES OF MERCHANTABILITY AND FITNESS FOR A PARTICULAR PURPOSE ARE DISCLAIMED ALTOGETHER OR TO THE FULL EXTENT ALLOWED BY LAW.

NOTICE: This warranty gives you specific legal rights, and you may also have other rights which vary from state to state. There are no warranties applicable to Jacuzzi Whirlpool Bath products except as expressly stated herein or as implied by applicable state and federal laws. The Company will not be responsible for any statements or representations made in any form that go beyond, are broader than or are inconsistent with any authorized literature or specifications furnished by the Company.

Some states do not allow limitations on how long an implied warranty lasts, or the exclusion or limitation of incidental or consequential damages, so the above limitations and exclusions may not apply to you.

## RETURN OF WARRANTY CARD

The attached Warranty Registration Card MUST be filled out by the purchaser within thirty (30) days from purchase and mailed to Jacuzzi Whirlpool Bath in order for this warranty to become effective.



Jacuzzi Whirlpool Bath  
14801 Quorum Dr., Suite 400  
Dallas, TX 75254

## RESPONSIBILITIES OF OTHERS

Inspecting the unit prior to installation is the responsibility of the installer or building contractor who acts on behalf of the user. They are responsible for ensuring the unit is free of defect or damage. Notices are placed on and in the unit and on the shipping carton advising the installer of this responsibility. In the event of a problem, the unit must not be installed. The Company is not responsible for failures or damage that could have been discovered, repaired, or avoided by proper inspection and testing prior to installation.

Damage occurring in transit is the responsibility of the carrier. The user or installer MUST open the crate and inspect the unit for damage when it is delivered. If damage is discovered, it must be reported immediately to the seller and the carrier in writing, and an inspection requested. Failure of the carrier to respond should be reported to the seller and the carrier. Your freight claims should be filed promptly thereafter.

It is the responsibility of the installer, building contractor, or user to provide access for service. The Company is not responsible for any costs relating to obtaining access for repair. The user shall bear such costs and, if appropriate, must seek recovery from the installer.

Damage occurring to the unit during installation is the responsibility of the installer and/or building contractor and damage occurring thereafter is the responsibility of the user.

Failure of any optional equipment is the sole responsibility of the equipment manufacturer. (Options and accessories manufactured by the Company are warranted for ninety (90) days from the original date of purchase for parts only.)

The Distributor or Dealer is responsible for knowing local code requirements and notifying the installing contractor and/or user of these requirements at the time of purchase. The Company is not responsible for costs to modify any product to obtain any code approval, such as city, county, or state building codes.

## WARRANTY SERVICE

For the customer's benefit, the Company maintains a list of independent service personnel to perform required warranty service repairs. Such firms are not agents or representatives of the Company and cannot bind the Company by words or conduct.

The Company will provide the warranty service described above when the following conditions have been met: the failure is of the nature or type covered by the warranty; the user has informed an Authorized Jacuzzi Whirlpool Bath Service Agent or Warranty Service Department Representative of the nature of the problem during the warranty period; conclusive evidence (e.g., proof of purchase or installation) is provided to the foregoing by the user proving that the failure occurred or was discovered within the warranty period; an authorized independent service person or Company representative has been permitted to inspect the unit during regular business hours within a reasonable time after the problem was reported by the user.

In order to obtain warranty service, consult your local telephone book for the location of the nearest Jacuzzi Whirlpool Bath Authorized Service Agent. Describe the problem and the Authorized Service Agent will inspect the unit and provide the required warranty service.

If you are unable to contact a Jacuzzi Whirlpool Bath Authorized Service Agent, call or write:

Jacuzzi Whirlpool Bath  
Warranty Service Department  
14801 Quorum Dr., Suite 400  
Dallas, TX 75254  
Call: 1-800-288-4002

To obtain warranty replacement for factory-installed components for Company supplied options and accessories manufactured and supplied by the Company, call or write the above. Provide a description of the problem and proof of purchase. You will be instructed how to obtain replacements and where to return, at your expense, the failed component(s), option(s), or accessory(ies).

All replacement parts, equipment, and repairs shall assume the remaining warranty period of the part(s) replaced.

The Company's warranty obligation shall be discharged upon tender of replacement or repair. The customer's refusal to accept the tender terminates the Company's warranty obligation.

© 2006 Jacuzzi Whirlpool Bath EL21000B 10/06

Ninety-Day  
Parts Only  
Limited Warranty  
On  
Accessory(ies)

Ninety-Day  
Parts Only  
Limited Warranty  
On  
Accessory(ies)



### Warranty Registration Card

This card must be filled out and returned to the address printed on the other side within thirty (30) days from date of purchase in order for this warranty to be come effective.

Purchaser's Name \_\_\_\_\_

Purchaser's Address \_\_\_\_\_

City \_\_\_\_\_ State \_\_\_\_\_ Zip \_\_\_\_\_

Date of Purchase \_\_\_\_\_

Model Name \_\_\_\_\_

Serial Number \_\_\_\_\_

Dealer's Name \_\_\_\_\_

Dealer's Address \_\_\_\_\_

1. How did you first hear about this Salon™ Spa Series Bath product?
  - Advertisement  Article in Magazine/Newspaper
  - Visited Dealer/Plumbing Supplier  Yellow Pages
  - Builder/Plumber/Remodeler  Decorator/Architect
  - Visited Retailer/Home Center Store
  - Word of Mouth . . . Friend/Relative/Acquaintance
  - Other (Please Describe) \_\_\_\_\_
2. Who first gave you specific information about this product (specifications, prices, etc.)?
  - Dealer/Plumbing Supplier  Builder  Remodeler
  - Plumbing Contractor  Retailer/Home Center Store
  - Decorator/Architect  Already Installed
3. What was the main reason for purchase?
  - Styling  Warranty Service  Product Features
  - Brand Name  Price  Home Resale
  - Other \_\_\_\_\_
4. Who finally decided which product you would buy?
  - Self  Spouse  Self and Spouse Together
  - Other Family Member  Designer/Architect
  - Builder/Plumber/Remodeler  Already Installed
5. Who installed?
  - Contractor/Plumber when remodeling
  - Self/Spouse when remodeling
  - Other \_\_\_\_\_
6. What is the current market value of this property?
  - Please estimate \$ \_\_\_\_\_
7. What is the age of the head of the household? \_\_\_\_\_ years
8. What other manufacturers did you consider?
  - Elier  Lasco  Price Frister  Aqua Glass
  - Kohler  American Standard  Sterling
  - Other (Specify) \_\_\_\_\_
9. How long did you shop before purchasing unit?
  - 1 day  2 months - 6 months
  - 2-7 days  6 months - 1 year
  - 1 week - 2 weeks  1 year - 2 years
  - 2 weeks - 4 weeks  +2 years
  - 1 month - 2 months \_\_\_\_\_
10. Approximately how long have you lived in this home?
  - household:  Up to \$24,999  \$50,000 to \$74,999
  - \$25,000 to \$29,999  \$75,000 to \$99,999
  - \$30,000 to \$39,999  \$100,000 to \$149,999
  - \$40,000 to \$49,999  \$150,000 and Above
11. Please indicate, approximately, the total annual income of your household.
  - Very easy  Easy  Difficult  Very Difficult
12. Was your purchase process?
  - Very easy  Easy  Difficult  Very Difficult