



San Francisco Style Awnings

ASSEMBLY AND INSTALLATION INSTRUCTIONS

CAUTION: When you are opening the box keep children away. This awning frame contains sharp metal and small hardware parts. Choking hazard: Keep parts away from children. They may choke on hardware. Be extremely cautious around children.

Models with Valance:

RF22, EF23, CF32, CF34, CF43, CF44, EF2442, EF12, EF1836, EF1230, EF1030, EF24, CF33

Models with-out Valance:

RF22-NV, EF23-NV, CF32-NV, CF34-NV, CF43-NV, CF44-NV, EF2442-NV, EF12-NV, EF1836-NV, EF1230-NV, EF1030-NV, EF24-NV, CF33-NV

All the awning sizes over 9' wide come in two parts such as Top Bar (TB) consist of TB1 & TB2 and Front Bar (FB) consist of FB1 & FB2

See the chart below for the width of the awning:

	Width in inches	Size	Width in inches
3	40.5	12	148.5
4	52.5	13	160.5
5	64.5	14	172.5
6	76.5	15	184.5
7	Size	16	196.5
8	100.5	17	208.5
9	112.5	18	220.5
10	124.5	19	232.5
11	136.5	20	244.5

THESE AWNINGS ARE DESIGNED 4-1/2" WIDER THAN THE OPENINGS YOU ARE COVERING. (EXAMPLE: a RF22-5 is for a 5'-0" wide window. It is built 64-1/2" wide, 24" tall plus 7" valance height and 24" deep or projection.

Due to the wide variety of building surfaces, Awntech does not supply the hardware to install your awning on the wall. You will need to purchase installation hardware at your local do-it-yourself center. We will advise you on different surface applications.

- **Please read the instructions fully before assembly.**
- **This awning must be fully assembled prior to installing it onto the wall.**

STEP 1: Separate all of the parts by part number so they will be easy to assemble.

PARTS LIST

Size	2	3	4	5	6	7	8	9	10	11	12	13	14	15	16	17	18	19
(TB) Top Bar - C Channel	1	1	1	1	1	1	1	1	2	2	2	2	2	2	2	2	2	2
(FB) Front Bar	1	1	1	1	1	1	1	1	2	2	2	2	2	2	2	2	2	2
(NC) Hypotenuse / Cover Support	2	2	2	3	3	3	4	4	5	5	5	5	5	7	7	7	7	7
(P) Projection	2	2	2	2	2	2	2	2	2	2	2	2	2	2	2	2	2	2
(B) Back Bar	2	2	2	2	2	2	2	2	2	2	2	2	2	2	2	2	2	2
(PA) Projection Bar Assembly				1	1	1	2	2	3	3	3	3	3	5	5	5	5	5

OTHER PARTS

SELF TAPPING SCREWS, Z-BRACKETS

Tools Required: Electrical Drill, ¼” Nut Driver Bit, Full Socket Set, Full set of Steel and Masonry Bits, Tape Measure, Safety Glasses, 4’ Level, A Safe Ladder, #2 Pencil

YOU MAY ALSO NEED A HELPER DEPENDING ON THE SIZE, WEIGHT, LENGTH AND HEIGHT OF THE AWNING

NOTE: YOU WILL FIND THAT THE FITTINGS HAVE BEEN PRE-INSTALLED, AS WE HAVE PRE-ASSEMBLED AND INSPECTED IT FOR YOU IN THE FACTORY.

ASSEMBLING THE FRAME

STEP 2: Connect Front Bar (FB) to (2) Back Bars (B). Make sure that the C-Channel is away from you and close to the wall and also make sure that the Velcro side of the Back Bar (B) is facing you

STEP 3: You may need a rubber mallet to fully seat the tubing onto the fittings.

STEP 4: Connect both Projection Bars (P) to other ends of the Back Bars (B) and make sure that the Velcro on the Projection Bar (P) is facing you

STEP 5: Then connect the Front Bar (FB) to the Projection Bars (P) and make sure that the Velcro is facing up

STEP 6: Now install Hypotenuses (NC) with arrows pointing upwards and attach them to both ends of the Top Bar (TB) and Front Bar (FB)

STEP 7: Additional parts Hypotenuse (NC) and Wall Supports or Projection Bar Assembly (WS or PA) are provided for extra support

STEP 8: Install additional NC to complete the frame assembly

STEP 9: Wall Supports or Projection Bar Assembly (WS or PA) are installed only if needed after the Awning is hung on the wall

INSTALLING THE COVER

STEP 10: Slide the bead at the top of the fabric into the C-Channel at the top of (TB).

STEP 11: Pull the remainder of fabric over the frame with the valance hanging down below the (NC) and (FB) bars.

STEP 12: Once you are satisfied with the position of the cover on the frame, wrap the Velcro strips on the fabric tabs around the exterior bars. Pull the tabs snugly and attach them to the pre-installed Velcro tape on the bars.

POSITIONING THE BRACKETS CORRECTLY ON THE WALL

*** all the sizes are in inches

Model	Space between TB and P	Height incl valance	Projection	Model	Space between TB and P	Height	Projection
RF22	24	31	24	RF22-NV	24	24	24
CF32	36	44	24	CF32-NV	36	36	24
CF33	36	44	36	CF33-NV	36	36	36
CF34	36	44	48	CF34-NV	36	36	48
CF43	48	56	36	CF43-NV	48	48	36
CF44	48	56	48	CF44-NV	48	48	48
EF2442	18	24	42	EF2442-NV	24	24	42
EF12	8	12	24	EF12-NV	12	12	24
EF1836	12	18	36	EF1836-NV	18	18	36
EF1230	8	12	30	EF1230-NV	12	12	30
EF1030	10	16	30	EF1030-NV	16	16	30
EF23	18	24	36	EF23-NV	24	24	36
EF24	18	24	48	EF24-NV	24	24	48

STEP 13: Place the awning on the wall and make adjustments to choose the ideal location. Mark the bottom of the frame after you have centered it on the opening that you are covering.

STEP 14: Using a pencil and a level, mark a horizontal line as wide as your awning at that height. Verify that it is centered on the space.

STEP 15: From the inside of the awning, make (2) marks on the wall 6" up from that line where the awning frame touches the wall. . This is where the bottom of the brackets will be placed.

STEP 16: From the inside of the awning, make two marks on the wall 6" in from the top outside corners of the awning where the (CNB) and (TB) bars meet the wall. Make another mark at the center of (TB). This is where the top brackets will be placed.

STEP 17: Install the brackets to the wall with the following hardware and tools: (The long leg of the bracket is against the wall and faces toward the inside of the awning.)

CONCRETE BLOCK WALLS: (1) ½" masonry bit with a 3/8" shank, (5-8) 5/16"x 3" masonry anchor bolts, 9/16" socket. You will also need a roll of weather stripping.

METAL BUILDINGS: (1) 2x6x8 #2YP cut into 12" blocks for the back side of the metal, (5-8) 5/16"x 4" lag bolts, (5-8) 5/16" washers, rubber installation strips (in the shape of the metal) and a 3/8" drill bit. Bolt through the washer, the bracket and the metal into wood blocks behind the metal. Before tightening the bracket insert the rubber strips between the building and the awning.

ANY TYPE OF SIDING: (5-8) ¼"x 4" toggle bolts, (5-8) ¼" washers, (1) Flat head screwdriver (1) ½" drill bit (or if you hit a stud): (5-8) 5/16"x4" lag bolts, (5-8) 5/16" washers, (1) 3/16" drill bit and a 9/16" socket. You will also need a roll of weather stripping.

CONCRETE, BRICK OR STONE: (1) ½" masonry bit with a 3/8" shank, (5-8) 5/16"x 3" masonry anchor bolts, (5-8) 5/16"x1/4" bushings, 9/16" socket. You will also need a roll of weather stripping.

STUCCO: (5-8) ¼"x 4" toggle bolts, (5-8) ¼" washers, (1) Flat head screwdriver (1) ½" drill bit (or if you hit a stud): (4) 5/16"x4" lag bolts, (5-8) 5/16" washers, (1) 3/16" drill bit and a 9/16" socket. You will also need a roll of weather stripping.

STEP 18: Place the awning temporarily up on the brackets to make sure that it fits prior to tightening the bolts. In cases where the wall is not flat, you may need to install several bushings under the bracket so that the awning will fit properly in the pocket of the bracket. Remove the awning.

STEP 19: Tighten the brackets to the wall.

STEP 21: Over 5' only: Using the same fasteners as you used on the brackets, level the (WS or PA)s and secure them to the wall.

WARRANTY

5-Year Limited Manufacturer's Warranty

A. WHO GIVES THIS WARRANTY? Awntech Corporation

B. WHO IS ENTITLED TO THIS WARRANTY?

This Warranty applies only to the original purchaser who paid for the product and may not be assigned or transferred to subsequent owners. This Warranty applies only to products purchased and installed in the US.

C. WHAT ARE THE RESPONSIBILITIES OF AWNTECH CORPORATION UNDER THIS WARRANTY?

Subject to the terms and conditions set forth herein, Awntech Corporation will furnish replacements for parts found by Awntech Corporation to be defective in design, manufacture or assembly, under each specific component or product warranty as set forth below.

D. WHAT ARE THE RESPONSIBILITIES OF THE ORIGINAL PURCHASER UNDER THE WARRANTY?

1. Before any claims may be made under this Warranty, the original purchaser must have paid in full for the product covered under the Warranty, according to the terms and conditions of the pay-plan defined in the original order. IF THE PURCHASER HAS FAILED TO MAKE FULL PAYMENT, THIS WARRANTY SHALL BE NULLIFIED AND AWNTECH CORPORATION SHALL BE RELIEVED FROM ANY RESPONSIBILITY OR LIABILITY UNDER THIS WARRANTY. The purchaser agrees and acknowledges that this Warranty agreement constitutes an executor contract.
2. The purchaser must use care in installation, maintenance, operation, use, and storage of the product in accordance with the instructions contained in the owner's manual. ANY FAILURE TO INSTALL, MAINTAIN, OPERATE, USE AND STORE THE PRODUCT IN ACCORDANCE WITH THE INSTRUCTIONS CONTAINED IN THE OWNER'S MANUAL WILL NULLIFY THIS WARRANTY AND RELIEVE AWNTECH CORPORATION FROM ANY RESPONSIBILITY OR LIABILITY UNDER THIS WARRANTY.
3. Promptly notify Awntech Corporation of any claims (within 10 days of purchase).
4. The purchaser may be required to provide a photograph of any defective parts. The purchaser may also be required to pay a deposit until the defective parts are returned to Awntech Corporation for inspection. The purchaser must obtain a return authorization form from Awntech Corporation's customer service department prior to the return of any merchandise and after having received such authorization, return the part or product, freight prepaid, to Awntech Corporation.

E. WHAT IS COVERED UNDER THIS WARRANTY?

1. All the frame parts and components and the fabric is covered under warranty for manufacturing defects only:

(a) Should the purchaser promptly notify Awntech Corporation of such defects within one year (12 months) from the date of the original purchase, the defective component will be replaced at no charge. Awntech reserves the right to ask for the defective part to be returned and/or photos of the defective part.

(b) After one year but within five years (60 months) from the date of the original purchase, a defective component will be replaced upon the purchaser's payment of 1/60th of the full retail cost of the component for each month of use prior to the claim.

F. GENERAL PROVISIONS AND LIMITATIONS

1. THE WARRANTY GRANTED HEREIN IS THE EXCLUSIVE REMEDY FOR THE PURCHASER. AWNTECH CORPORATION MAKES NO OTHER WARRANTIES TO THE PURCHASER, EXPRESS, STATUTORY, IMPLIED OR OTHERWISE AND ALL IMPLIED WARRANTIES, INCLUDING WITHOUT LIMITATIONS, IMPLIED WARRANTIES OF MERCHANTABILITY AND FITNESS FOR A PARTICULAR PURPOSE, ARE HEREBY DISCLAIMED.

2. TO THE EXTENT PERMITTED BY LAW, AWNTECH CORPORATION SHALL HAVE NO LIABILITY TO THE PURCHASER OR ANY OTHER PERSON FOR INCIDENTAL, SPECIAL, CONSEQUENTIAL, INDIRECT OR SIMILAR DAMAGES OF ANY KIND OR NATURE WHATSOEVER, WHETHER ARISING OUT OF BREACH OF WARRANTY OR OTHER BREACH OF CONTRACT, NEGLIGENCE OR OTHER TORT, OR OTHERWISE, EVEN IF AWNTECH CORPORATION SHALL HAVE BEEN ADVISED OF THE POSSIBILITY OR LIKELIHOOD OF SUCH POTENTIAL LOSS OR DAMAGE. IN NO EVENT SHALL AWNTECH CORPORATION BE LIABLE FOR LOSS OF PROFITS AND/OR WAGES.

3. SOME STATES DO NOT ALLOW LIMITATIONS ON HOW LONG AN IMPLIED WARRANTY LASTS,

OR DO NOT ALLOW THE EXCLUSION OR LIMITATION OF INCIDENTAL OR CONSEQUENTIAL DAMAGES, SO THE ABOVE LIMITATIONS MAY NOT APPLY TO YOU.
4. THIS WARRANTY GIVES YOU SPECIFIC RIGHTS, AND YOU MAY HAVE OTHER RIGHTS, WHICH VARY FROM STATE TO STATE.

G. RETURNS, DAMAGES

RETURN QUALIFICATION: You can only return a product if it is defective upon arrival. If you simply do not like the product or if you did not measure correctly, you will only be qualified for a merchandise credit and you will be required to pay for shipping the product back to Awntech in re-stockable condition. If

DAMAGED MATERIAL: Damage occasionally occurs during shipping. Scrapes, dents, and rips in the outer packaging that could indicate possible damage should be described to the carrier at the time of delivery. If damage to the product seems apparent, the shipment should be refused.

FABRIC DYE-LOT AND LIGHTING VARIATION: Fabric dyes may vary slightly from run to run. This is a normal and unavoidable. Different lighting types and lighting direction may cause the fabric you chose on the website to appear slightly different than the actual fabric does in full sunlight.

TRIPLE CHECK YOUR MEASUREMENTS: In order to avoid disappointment and frustration, please triple check all measurements (see Measuring Guide, Page 6 of Awntech Catalog) to assure that your awning will fit properly in the location you intend. Please make sure that you have at least 1'-2' extra wide area available to install the awning and also make sure that you have enough open space for the projection.

HAZARDOUS MATERIAL QUALIFICATIONS: None

RETURNS/ORDER EXCEPTION CONTACT:

Customer Service: Phone 817-354-9600, Fax 817-354-9612, email customers@awntech.com

**TO ACQUIRE A RETURN OR REPAIR AUTHORIZATION NUMBER
YOU MUST GO THROUGH THE WARRANTY PROCESS BELOW**

Email or mail photo of damaged parts to:


EMAIL: customers@awntech.com

MAIL: Customer Support, Awntech Corporation, 3600 Bell Dr., Bdg. B-E, Hurst, TX 76053


Authorized returns should be shipped to:

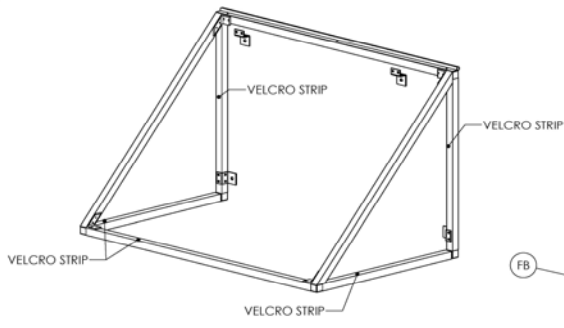
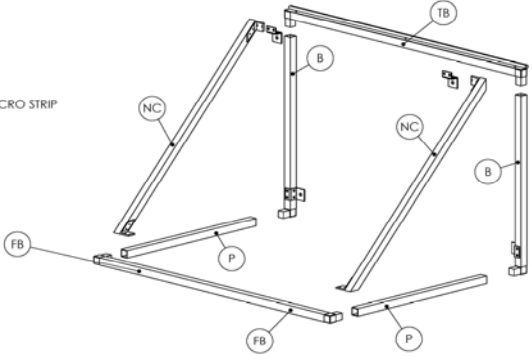
**Returns Department
Awntech Corporation,
3600 Bell Drive, Bldgs. B-E
Hurst, Texas 76053**

For Frame sizes 2' – 4' (Must be assembled on the floor)



The San Francisco
INSTRUCTION MANUAL
Awntech Corporation www.Awntech.com 800-200-5997



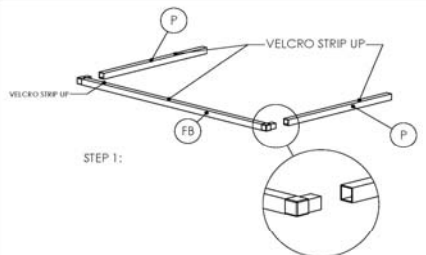
PATENT PENDING
NUMBER AT END OF PART NUMBER REPRESENTS LENGTH

ITEM NO.	QTY.	PART NO.	DESCRIPTION
1	1	FB	Front Bar Assembly
2	2	P	Projection Bar
3	1	B	Back Bar Assembly Left
4	1	B	Back Bar Assembly Right
5	1	TB	Top Bar Assembly
6	1	NC	Cover Support Assembly Left
7	1	NC	Cover Support Assembly Right

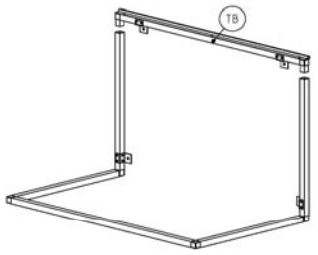
TOOLS REQUIRED FOR INSTALLATION

1. POWER DRILL
2. 42 PHILLIPS SCREWDRIVER
3. DRILL BIT FOR ANCHOR
4. TAPE MEASURE
5. SAFETY GLASSES
6. LEVEL

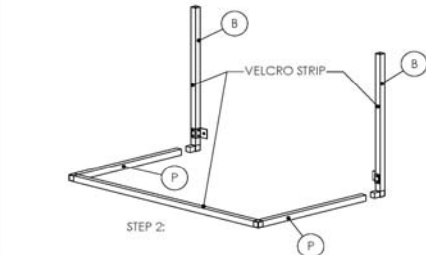
pg 1



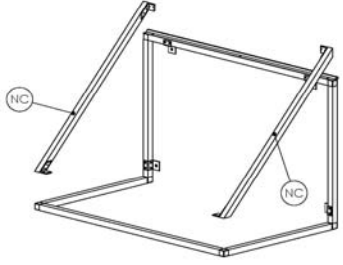
STEP 1:



STEP 3:




STEP 2:




STEP 4:

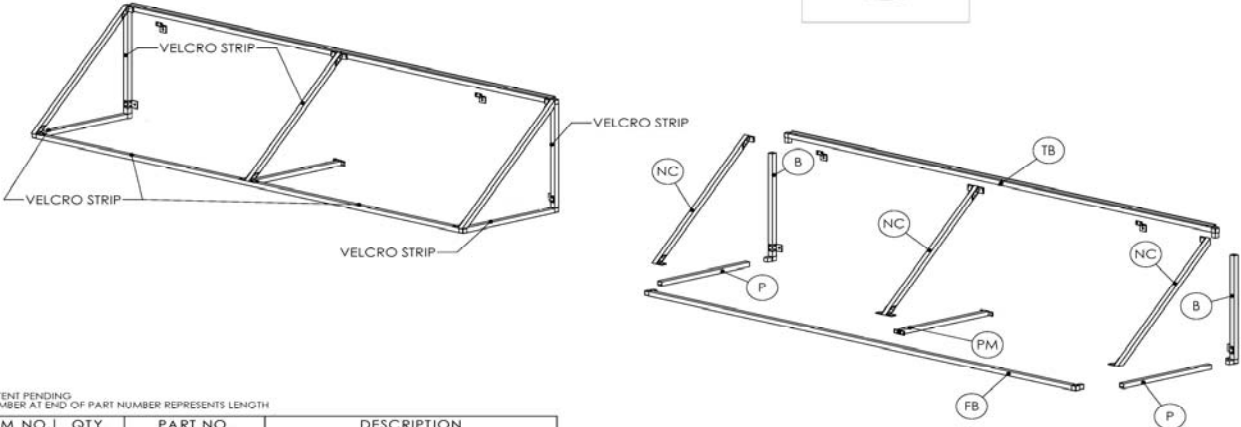
STEP 5: INSTALL COVER **pg 2**

For 5'-7' sizes. For larger sizes there will be additional parts enclosed: PM, NCM (Must be assembled on the floor)



The San Francisco
INSTRUCTION MANUAL
Awntech Corporation www.Awntech.com 800-200-5997





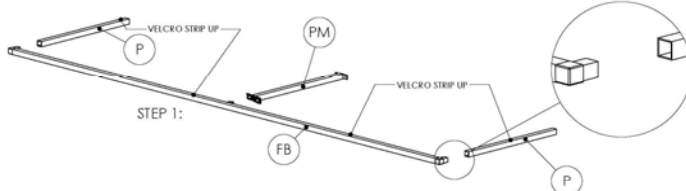
PATENT PENDING
NUMBER AT END OF PART NUMBER REPRESENTS LENGTH

ITEM NO.	QTY.	PART NO.	DESCRIPTION
1	1	FB	Front Bar Assembly
2	2	P	Projection Bar
3	1	B	Back Bar Assembly Left
4	1	B	Back Bar Assembly Right
5	1	TB	Top Bar Assembly
6	2	NC	Cover Support Assembly Left
7	1	NC	Cover Support Assembly Right
8	1	PM	Projection Bar Assembly

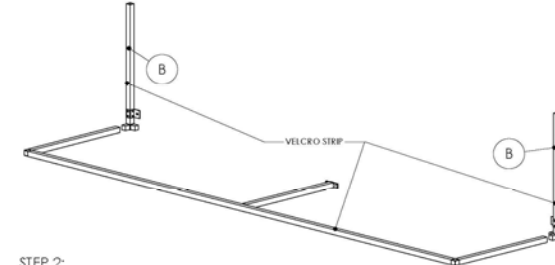
TOOLS REQUIRED FOR INSTALLATION

1. POWER DRILL
2. #2 PHILLIPS SCREWDRIVER
3. DRILL BIT FOR ANCHOR
4. TAPE MEASURE
5. SAFETY GLASSES
6. LEVEL

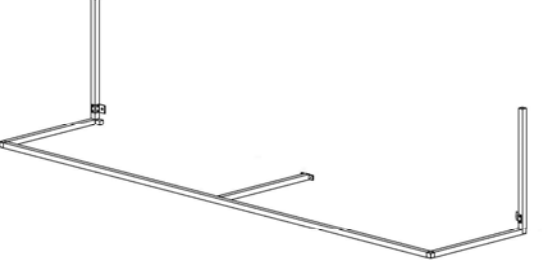
pg 1



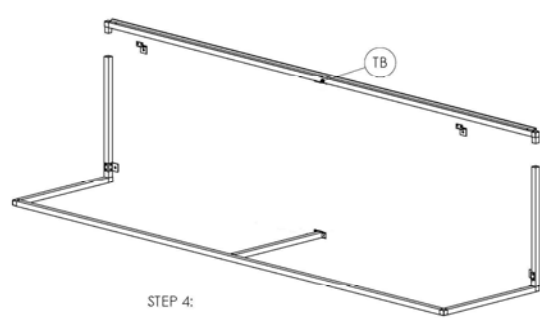
STEP 1:



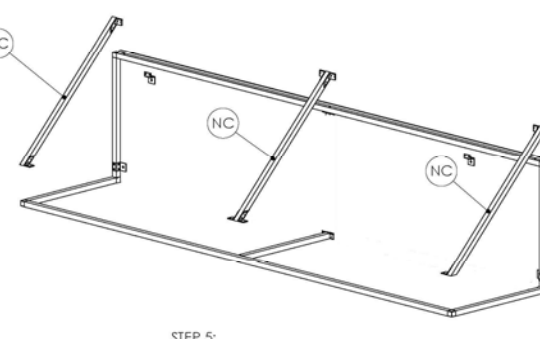
STEP 2:




STEP 3:



STEP 4:



STEP 5:



STEP 6: INSTALL COVER

pg 2