



The Dallas Retro[®] Style Awning

Important Installation Information:

The Dallas Retro Frame must be installed on the wall as there is no connecting part between BP and TB

ASSEMBLY AND INSTALLATION INSTRUCTIONS

CAUTION: When you are opening the box keep children away. This awning frame contains sharp metal and small hardware parts. Choking hazard: Keep parts away from children. They may choke on hardware. Be extremely cautious around children.

Models with Valance:

RR22, ER23, CR32, CR34, CR43, CR44, ER2442, ER12, ER1836, ER1230, ER1030, ER24, CR33

Models without Valance:

RR22-NV, ER23-NV, CR32-NV, CR34-NV, CR43-NV, CR44-NV, ER2442-NV, ER12-NV, ER1836-NV, ER1230-NV, ER1030-NV, ER24-NV, CR33-NV

All the awning sizes over 9' wide come in two sections. Example: Top Bar (TB) consists of TB1 & TB2 and Front Bar (FB) consists of FB1 & FB2

See the chart below for the width of the awning:

Awning Size	Width in inches	Awning Size	Width in inches
3	40.5	12	148.5
4	52.5	13	160.5
5	64.5	14	172.5
6	76.5	15	184.5
7	88.5	16	196.5
8	100.5	17	208.5
9	112.5	18	220.5
10	124.5	19	232.5
11	136.5	20	244.5

OUR AWNINGS ARE DESIGNED 4.5" WIDER THAN STANDARD WINDOW/DOOR OPENINGS SO THAT YOU WILL BE ANCHORING INTO THE STUDS AROUND THE WINDOW OR DOOR. EXAMPLE: RR22-5 is for a 5'-0" wide window. It measures 64.5" wide, 31" tall (24" plus 7" valance) and 24" deep (projection).

Due to the fact that there is such a variety of building wall surfaces, Awntech does not supply the hardware to install your awning. You will need to purchase installation hardware at your local do-it-yourself center. We have advised you on different surface applications below:

CONCRETE BLOCK WALLS: (1) ½” masonry bit with a 3/8” shank, (4-5) 5/16”x 3” masonry anchor bolts, 9/16” socket. You will also need a roll of weather stripping.

METAL BUILDINGS: (1) 2x6x8 #2YP cut into 12” blocks for the back side of the metal, (4-5) 5/16”x 4” lag bolts, (4-5) 5/16” washers, rubber installation strips (in the shape of the metal) and a 3/8” drill bit. Bolt through the washer, the bracket and the metal into wood blocks behind the metal. Before tightening the bracket insert the rubber strips between the building and the awning.

ANY TYPE OF SIDING: (4-5) ¼”x 4” toggle bolts, (4-5) ¼” washers, (1) Flat head screwdriver (1) ½” drill bit (or if you hit a stud): (5-8) 5/16”x4” lag bolts, (4-5) 5/16” washers, (1) 3/16” drill bit and a 9/16” socket. You will also need a roll of weather stripping.

CONCRETE, BRICK OR STONE: (1) ½” masonry bit with a 3/8” shank, (4-5) 5/16”x 3” masonry anchor bolts, (4-5) 5/16”x1/4” bushings, 9/16” socket. You will also need a roll of weather stripping.

STUCCO: (4-5) ¼”x 4” toggle bolts, (4-5) ¼” washers, (1) Flat head screwdriver (1) ½” drill bit (or if you hit a stud): (4) 5/16”x4” lag bolts, (4-5) 5/16” washers, (1) 3/16” drill bit and a 9/16” socket. You will also need a roll of weather stripping.

- **Please read the instructions fully before assembly.**
- **This awning is designed to be assembled on the wall.**

PARTS:

Awning Size in Ft.	2	3	4	5	6	7	8	9	10	11	12	13	14	15	16	17	18	19
(TB) Top Bar - C Channel	1	1	1	1	1	1	1	1	2	2	2	2	2	2	2	2	2	2
(FB) Front Bar	1	1	1	1	1	1	1	1	2	2	2	2	2	2	2	2	2	2
(NC)Hypotenuse / Cover Support	2	2	2	3	3	3	4	4	5	5	5	5	5	7	7	7	7	7
(BP) Black Projection Bar	2	2	2	3	3	3	4	4	5	5	5	5	5	7	7	7	7	7

Other parts

Self tapping screws, Z-brackets

Tools Required: Electrical Drill, ¼” Nut Driver Bit, Full Socket Set, Full set of Steel and Masonry Bits, Tape Measure, Safety Glasses, 4’ Level, A Safe Ladder, #2 Pencil

YOU MAY ALSO NEED AN ASSISTANT FOR LARGER AWNINGS. IT DEPENDS ON THE SIZE AND WEIGHT OF THE AWNING.

NOTE: YOU WILL FIND THAT THE FITTINGS HAVE BEEN PRE-INSTALLED, AS WE HAVE PRE-ASSEMBLED AND INSPECTED IT FOR YOU IN THE FACTORY.

The Dallas Retro Frame must be installed on the wall as there is no connecting part between BP and TB

STEP 1: Separate all of the parts by part number so they will be easy to assemble.

STEP 2: The Top Bar (TB) must be installed first. The C-Channel on the TB must be close to the wall. Before installing the TB you must make sure that there is enough space below the TB for the height of the awning. Example R22 style will need 31" of the space for the height of the awning (**please see the chart below for the height measurements**).

*** all the sizes are in inches

Model	Space between TB and BP in inches	Height incl. valance	Projection	Model	Space between TB and BP in inches	Height incl. no valance	Projection
RR22	24	31	24	RR22-NV	24	24	24
CR32	36	44	24	CR32-NV	36	36	24
CR33	36	44	36	CR33-NV	36	36	36
CR34	36	44	48	CR34-NV	36	36	48
CR43	48	56	36	CR43-NV	48	48	36
CR44	48	56	48	CR44-NV	48	48	48
ER2442	18	24	42	ER2442-NV	24	24	42
ER12	8	12	24	ER12-NV	12	12	24
ER1836	12	18	36	ER1836-NV	18	18	36
ER1230	8	12	30	ER1230-NV	12	12	30
ER1030	10	16	30	ER1030-NV	16	16	30
ER23	18	24	36	ER23-NV	24	24	36
ER24	18	24	48	ER24-NV	24	24	48

STEP 3: Install Black Projection Bars (BP). The space between the top of the (TB) and the Bottom of the (BP) must be according the chart above.

STEP 4: Insert the L shaped plastic ends of the Front Bar (FB) in to Left and Right (BP) and then secure them with self tapping screws. The Velcro on the (FB) must face up.

STEP 5: Install the NC (left and right) with arrows facing upwards. The holes on the (FB) and (FB) are pre drilled. Make sure that the Velcro on (NC) facing left and right

STEP 6: If the awning is larger then 4' (52.5") wide then you must install additional (NC)s and (BP)s to complete the frame assembly and installation

STEP 7: Once the frame is completely installed then secure all the joints where connectors are attached by driving one self tapping screw from inside the frame.

INSTALLING THE COVER

STEP 8: Slide the tubing at the top of the fabric cover into the C-Channel at the top of (TB).

STEP 9: Pull the remainder of fabric over the frame with the valance hanging down below the (NC) and (FB) bars.

STEP 10: Once you are satisfied with the position of the cover on the frame, wrap the Velcro strips on the fabric tabs around the exterior bars. Pull the tabs snugly and attach them to the pre-installed Velcro tape on the bars.

WARRANTY

5-Year Limited Manufacturer's Warranty

A. WHO GIVES THIS WARRANTY? Awntech Corporation

B. WHO IS ENTITLED TO THIS WARRANTY?

This Warranty applies only to the original purchaser who paid for the product and may not be assigned or transferred to subsequent owners. This Warranty applies only to products purchased and installed in the US.

C. WHAT ARE THE RESPONSIBILITIES OF AWNTECH CORPORATION UNDER THIS WARRANTY?

Subject to the terms and conditions set forth herein, Awntech Corporation will furnish replacements for parts found by Awntech Corporation to be defective in design, manufacture or assembly, under each specific component or product warranty as set forth below.

D. WHAT ARE THE RESPONSIBILITIES OF THE ORIGINAL PURCHASER UNDER THE WARRANTY?

1. Before any claims may be made under this Warranty, the original purchaser must have paid in full for the product covered under the Warranty, according to the terms and conditions of the pay-plan defined in the original order. IF THE PURCHASER HAS FAILED TO MAKE FULL PAYMENT, THIS WARRANTY SHALL BE NULLIFIED AND AWNTECH CORPORATION SHALL BE RELIEVED FROM ANY RESPONSIBILITY OR LIABILITY UNDER THIS WARRANTY. The purchaser agrees and acknowledges that this Warranty agreement constitutes an executor contract.
2. The purchaser must use care in installation, maintenance, operation, use, and storage of the product in accordance with the instructions contained in the owner's manual. ANY FAILURE TO INSTALL, MAINTAIN, OPERATE, USE AND STORE THE PRODUCT IN ACCORDANCE WITH THE INSTRUCTIONS CONTAINED IN THE OWNER'S MANUAL WILL NULLIFY THIS WARRANTY AND RELIEVE AWNTECH CORPORATION FROM ANY RESPONSIBILITY OR LIABILITY UNDER THIS WARRANTY.
3. Promptly notify Awntech Corporation of any claims (within 10 days of purchase).
4. The purchaser may be required to provide a photograph of any defective parts. The purchaser may also be required to pay a deposit until the defective parts are returned to Awntech Corporation for inspection. The purchaser must obtain a return authorization form from Awntech Corporation's customer service department prior to the return of any merchandise and after having received such authorization, return the part or product, freight prepaid, to Awntech Corporation.

E. WHAT IS COVERED UNDER THIS WARRANTY?

1. All the frame parts and components and the fabric is covered under warranty for manufacturing defects only:
 - (a) Should the purchaser promptly notify Awntech Corporation of such defects within one year (12 months) from the date of the original purchase, the defective component will be replaced at no charge. Awntech reserves the right to ask for the defective part to be returned and/or photos of the defective part.
 - (b) After one year but within five years (60 months) from the date of the original purchase, a defective component will be replaced upon the purchaser's payment of 1/60th of the full retail cost of the component for each month of use prior to the claim.

F. GENERAL PROVISIONS AND LIMITATIONS

1. THE WARRANTY GRANTED HEREIN IS THE EXCLUSIVE REMEDY FOR THE PURCHASER. AWNTECH CORPORATION MAKES NO OTHER WARRANTIES TO THE PURCHASER, EXPRESS, STATUTORY, IMPLIED OR OTHERWISE AND ALL IMPLIED WARRANTIES, INCLUDING WITHOUT LIMITATIONS, IMPLIED WARRANTIES OF MERCHANTABILITY AND FITNESS FOR A PARTICULAR PURPOSE, ARE HEREBY DISCLAIMED.
2. TO THE EXTENT PERMITTED BY LAW, AWNTECH CORPORATION SHALL HAVE NO LIABILITY TO THE PURCHASER OR ANY OTHER PERSON FOR INCIDENTAL, SPECIAL, CONSEQUENTIAL, INDIRECT OR SIMILAR DAMAGES OF ANY KIND OR NATURE WHATSOEVER, WHETHER ARISING OUT OF BREACH OF WARRANTY OR OTHER BREACH OF CONTRACT, NEGLIGENCE OR OTHER TORT, OR OTHERWISE, EVEN IF AWNTECH CORPORATION SHALL HAVE BEEN ADVISED OF THE POSSIBILITY OR LIKELIHOOD OF SUCH POTENTIAL LOSS OR DAMAGE. IN NO EVENT SHALL AWNTECH CORPORATION BE LIABLE FOR LOSS OF PROFITS AND/OR WAGES.
3. SOME STATES DO NOT ALLOW LIMITATIONS ON HOW LONG AN IMPLIED WARRANTY LASTS, OR DO NOT ALLOW THE EXCLUSION OR LIMITATION OF INCIDENTAL OR CONSEQUENTIAL DAMAGES, SO THE ABOVE LIMITATIONS MAY NOT APPLY TO YOU.
4. THIS WARRANTY GIVES YOU SPECIFIC RIGHTS, AND YOU MAY HAVE OTHER RIGHTS, WHICH VARY FROM STATE TO STATE.

G. RETURNS, DAMAGES

RETURN QUALIFICATION: You can only return a product if it is defective upon arrival. If you simply do not like the product or if you did not measure correctly, you will only be qualified for a merchandise credit and you will be required to pay for shipping the product back to Awntech in re-stockable condition. If

DAMAGED MATERIAL: Damage occasionally occurs during shipping. Scrapes, dents, and rips in the outer packaging that could indicate possible damage should be described to the carrier at the time of delivery. If damage to the product seems apparent, the shipment should be refused.

FABRIC DYE-LOT AND LIGHTING VARIATION: Fabric dyes may vary slightly from run to run. This is a normal and unavoidable. Different lighting types and lighting direction may cause the fabric you chose on the website to appear slightly different than the actual fabric does in full sunlight.

TRIPLE CHECK YOUR MEASUREMENTS: In order to avoid disappointment and frustration, please triple check all measurements (see Measuring Guide, Page 6 of Awntech Catalog) to assure that your awning will fit properly in the location you intend. Please make sure that you have at least 1'-2' extra wide area available to install the awning and also make sure that you have enough open space for the projection.

HAZARDOUS MATERIAL QUALIFICATIONS: None

RETURNS/ORDER EXCEPTION CONTACT:

Customer Service: Phone 817-354-9600, Fax 817-354-9612, email customers@awntech.com

**TO ACQUIRE A RETURN OR REPAIR AUTHORIZATION NUMBER
YOU MUST GO THROUGH THE WARRANTY PROCESS BELOW**

Email or mail photo of damaged parts to:

EMAIL: customers@awntech.com

MAIL: Customer Support, Awntech Corporation, 3600 Bell Dr., Bdg. B-E, Hurst, TX 76053

Authorized returns should be shipped to:

Returns Department

Awntech Corporation,

3600 Bell Drive, Bldgs. B-E

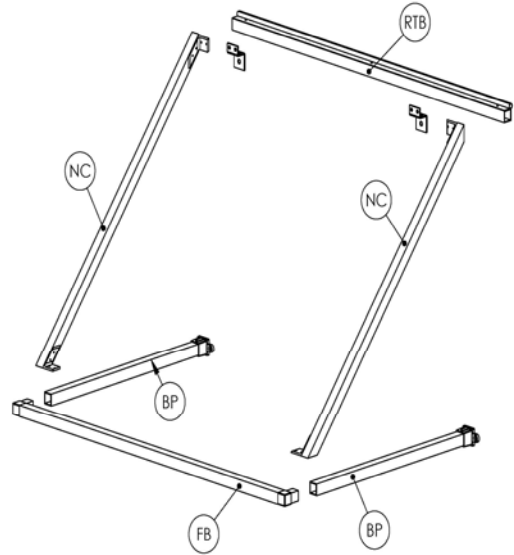
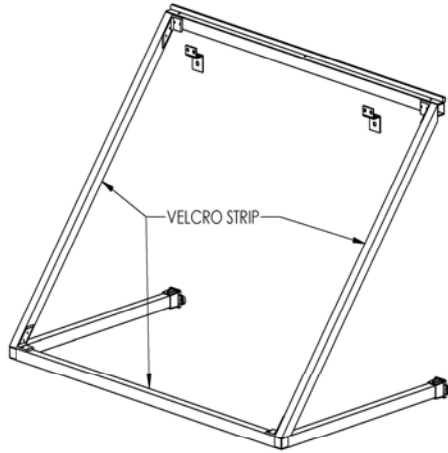
Hurst, Texas 76053

DALLAS RETRO STYLE AWNINGS MUST BE ASSEMBLED ON THE BUILDING

For frames sizes 2' – 4'



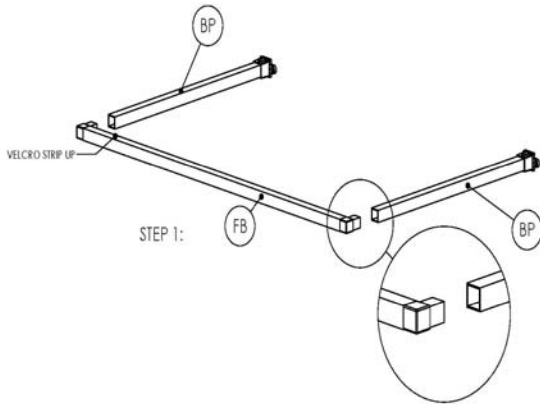
The Retro
INSTRUCTION MANUAL
 Awntech Corporation www.Awntech.com 800-200-5997



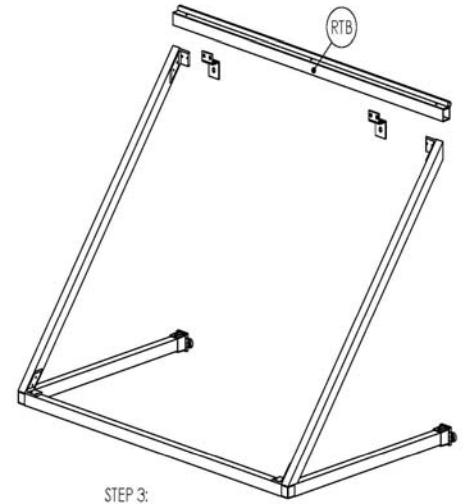
PATENT PENDING
 NUMBER AT END OF PART NUMBER REPRESENTS LENGTH

ITEM NO.	QTY.	PART NO.	DESCRIPTION
1	1	FB	Front Bar Assembly
2	2	BP	Rear Projection Assembly
3	1	RTB	Top Bar Assembly
4	1	NC	Cover Support Assembly Left
5	1	NC	Cover Support Assembly Right

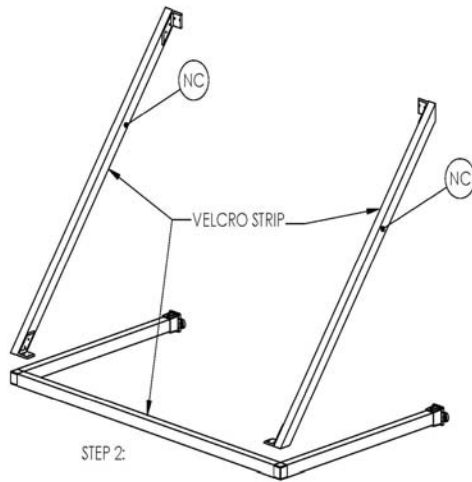
- TOOLS REQUIRED FOR INSTALLATION
1. POWER DRILL
 2. #2 PHILLIPS SCREWDRIVER
 3. DRILL BIT FOR ANCHOR
 4. TAPE MEASURE
 5. SAFETY GLASSES
 6. LEVEL



STEP 1:



STEP 3:



STEP 2:

STEP 4: INSTALL COVER

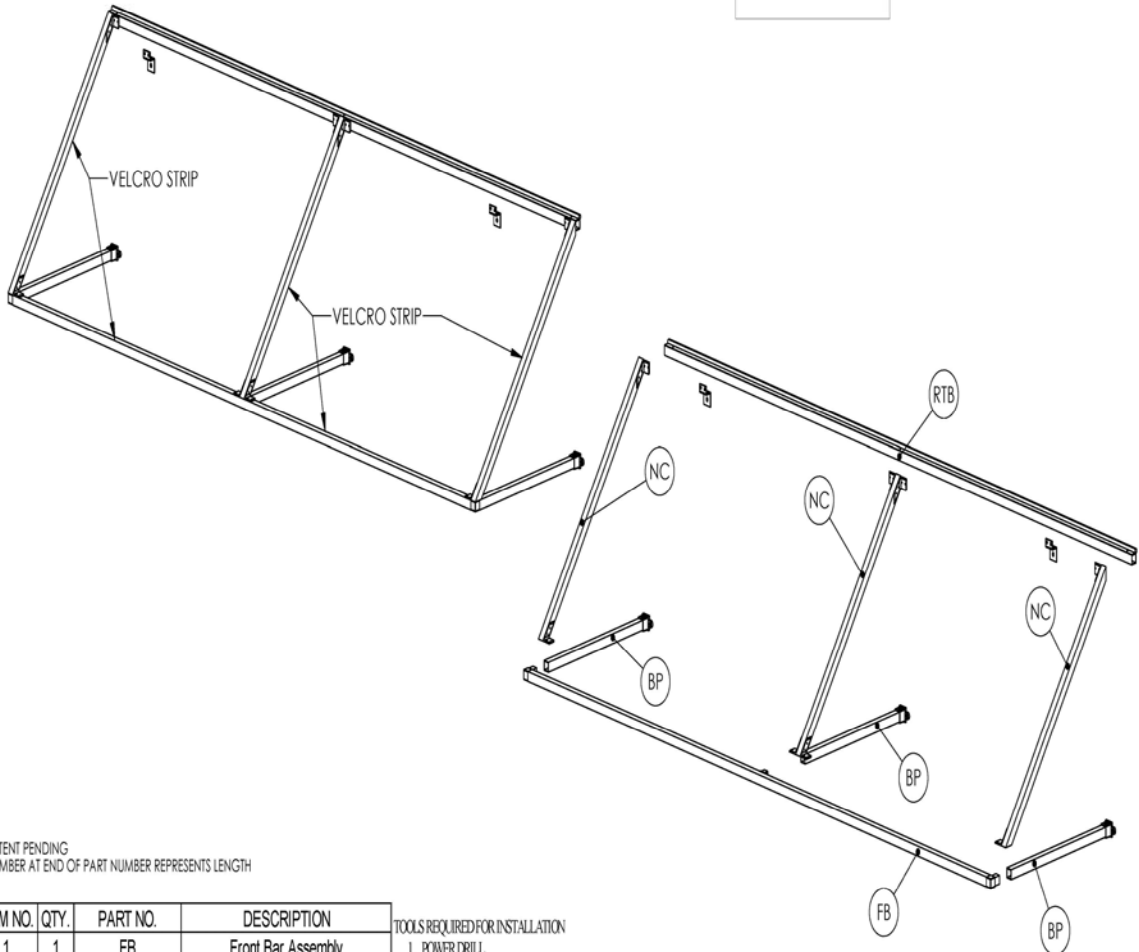
For frame sizes 5'- 7'. Additional parts will be enclosed for the large size awnings such as NC, BP



The Retro

INSTRUCTION MANUAL

Awntech Corporation www.Awntech.com 800-200-5997



PATENT PENDING
NUMBER AT END OF PART NUMBER REPRESENTS LENGTH

ITEM NO.	QTY.	PART NO.	DESCRIPTION
1	1	FB	Front Bar Assembly
2	3	BP	Rear Projection Assembly
3	1	RTB	Top Bar Assembly
4	2	NC	Cover Support Assembly Left
5	1	NC	Cover Support Assembly Right

- TOOLS REQUIRED FOR INSTALLATION
1. POWER DRILL
 2. #2 PHILLIPS SCREWDRIVER
 3. DRILL BIT FOR ANCHOR
 4. TAPE MEASURE
 5. SAFETY GLASSES
 6. LEVEL

