



IMPORTANT INFORMATION

CONTACT US

For questions, feel free to contact us by phone or email:

- Phone: 1-(800)-JELD-WEN/1-(800)-535-3936
- Email: customerserviceagents@jeld-wen.com

PRECAUTIONS AND SAFETY

- Read and fully understand ALL manufacturer's instructions before beginning. Failure to follow proper installation and finishing instructions may result in the denial of warranty claims for operational performance problems.
- Kit contents are not to be resized, this will result in the denial of warranty claims.
- Do not work alone. Two or more people are required. Use safe lifting techniques.
- Wear protective gear (e.g. safety glasses, gloves, ear protection, etc.).
- Operate hand/power tools safely and follow manufacturer's operating instructions.

- If disturbing existing paint, take proper precautions if lead paint is suspected (commonly used before 1979). Your regional EPA (www.epa.gov/lead) or Consumer Product Safety Commission offices provide information regarding regulations and lead protection.
- **WARNING:** Drilling, sawing, sanding or machining wood products generates wood dust, a substance known to the State of California to cause cancer. Use a respirator or other safeguards to avoid inhaling wood dust.

MATERIALS AND DOOR HANDLING

- Allow doors to acclimate to local conditions for at least 24 hours before finishing.
- Store door in dry, well-ventilated area.
- Do not drag on the floor.
- Protect from exposure to direct sunlight during storage.

IF INJURY OCCURS, IMMEDIATELY SEEK MEDICAL ATTENTION!

MATERIALS AND TOOLS

NEEDED MATERIALS

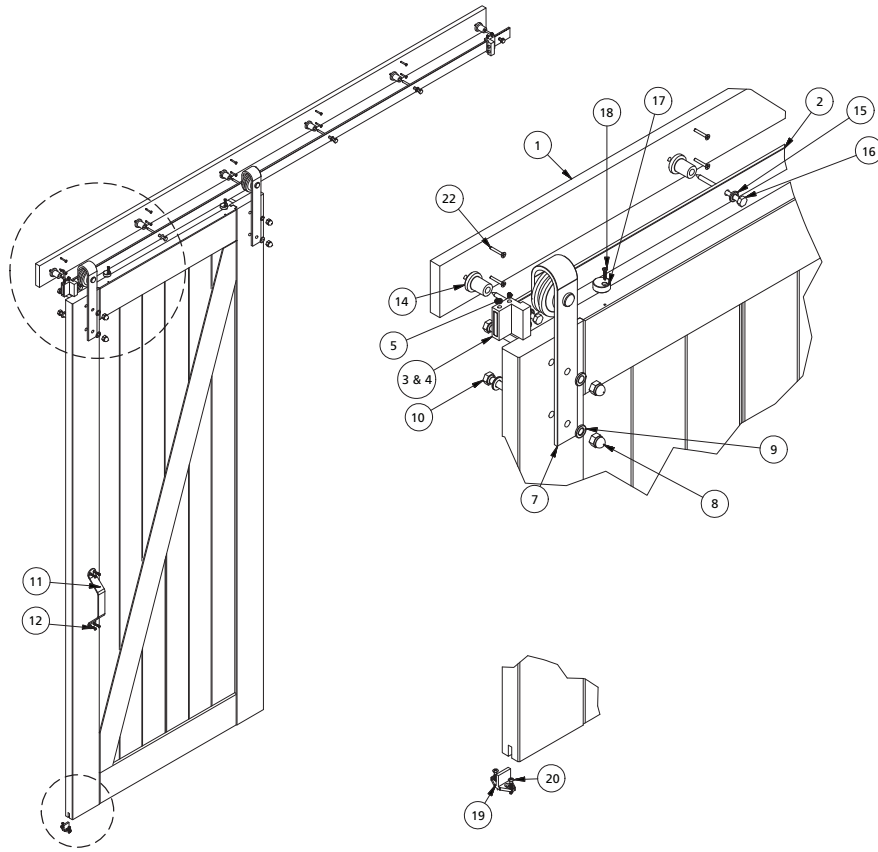
- (1 or 2) Barn Door Kits
- Paint/Stain (Optional)
- Sand Paper (Optional)

NEEDED TOOLS

- Tape measure
- Level
- Speed Square
- Pencil
- Stud Finder
- (2) Clamps
- Cordless Drill
- 1/8" Drill Bit
- 1/4" Drill Bit
- 3/4" Spade Bit
- Phillips Head Screwdriver
- Crescent Wrench or Socket Set

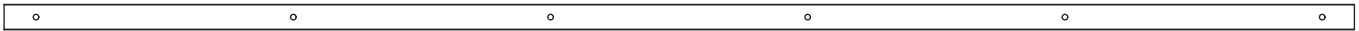
Visit jeld-wen.com/product-support for installation and finishing instructions and how-to videos.

RUSTIC KIT



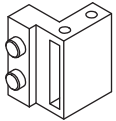
1

BACKER BOARD, 1" x 4" X 84"



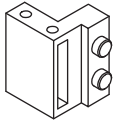
2

TRACK, 84", 16" HOLE SPACING



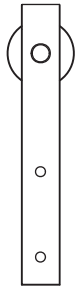
CUSHIONED STOP, LEFT (1X)

3



CUSHIONED STOP, RIGHT (1X)

4



HANGER (2X)

7



CAP NUT (4X)

8



RUSTIC HANDLE (1X)

11



SCREW, #8 X 3/4" (4X)

12



STANDOFF (6X)

14



WASHER, 8mm (6X)

15



LAG, M8 X 90mm (6X)

16



ANTI-JUMP DISK (2X)

17



SCREW, #8 X 3/4" (2X)

18



FLOOR GUIDE (1X)

19



SCREW, ST4.2 X 25mm (2X)

20



FLOOR ANCHOR (2X)

21



SCREW, #9 X 2-1/2" (10X)

22



SET SCREW, M6 X 3mm (4X)
(PRE-INSTALLED IN CUSHIONED STOPS)

5



WASHER, 10mm (8X)

9



FINGER PULL, (1X)

13



ALLEN WRENCH, 3mm (1X)

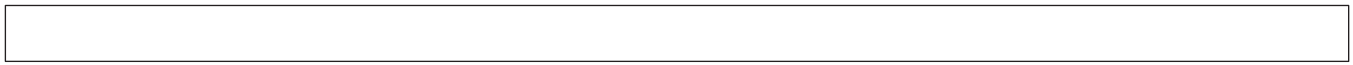
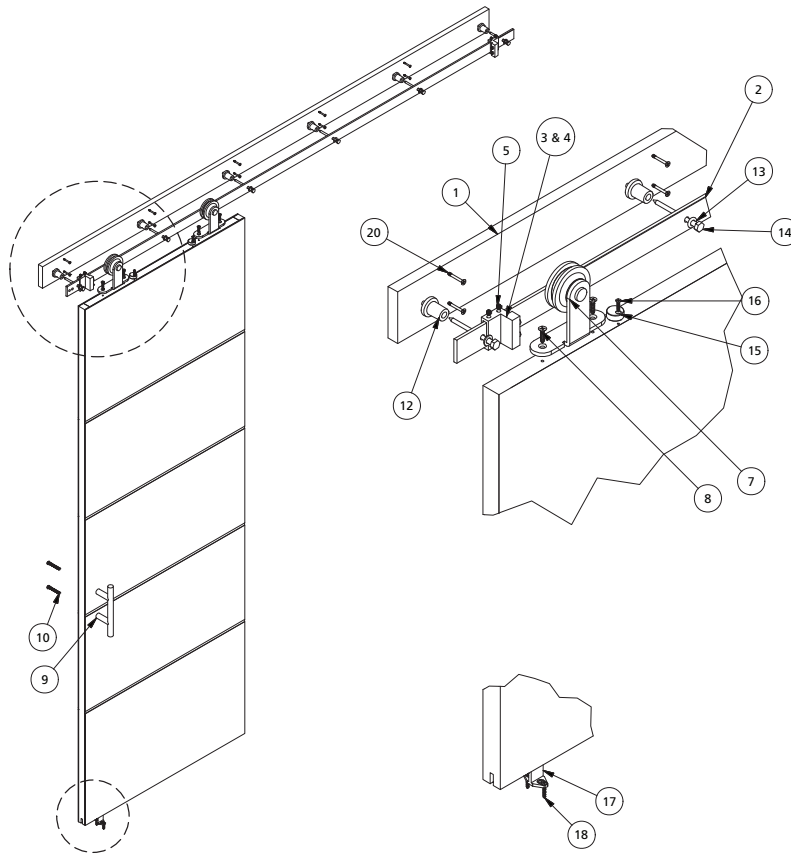
6



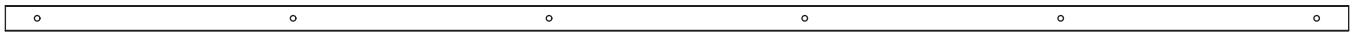
BOLT, M10 X 55mm (4X)

10

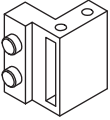
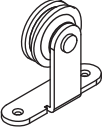





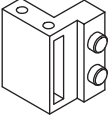










MODERN KIT



1 BACKER BOARD, 1" x 4" X 84"



2 TRACK, 84", 16" HOLE SPACING

- | | | | | | | |
|-------------------------------------------------------------------------------------|-------------------------------------------------------------------------------------|-------------------------------------------------------------------------------------|---------------------------------------------------------------------------------------|---------------------------------------------------------------------------------------|---------------------------------------------------------------------------------------|---------------------------------------------------------------------------------------|
|  |  |  |  |  |  |  |
| CUSHIONED STOP, LEFT (1X) | HANGER (2X) | MODERN HANDLE (1X) | STANDOFF (6X) | ANTI-JUMP DISK (2X) | FLOOR GUIDE (1X) | SCREW, #9 X 2-1/2" (10X) |
| 3 | 7 | 9 | 12 | 15 | 17 | 20 |
|  |  |  |  |  |  | |
| CUSHIONED STOP, RIGHT (1X) | SCREW, #14 X 1-1/2" (4X) | SCREW, M6 X 55mm (2X) | WASHER, 8mm (6X) | SCREW, #8 X 3/4" (2X) | SCREW, ST4.2 X 25mm (2X) | |
| 4 | 8 | 10 | 13 | 16 | 18 | |
|  |  |  |  | | | |
| SET SCREW, M6 X 3mm (4X)
(PRE-INSTALLED IN CUSHIONED STOPS) | FINGER PULL, (1X) | LAG, M8 X 90mm (6X) | FLOOR ANCHOR (2X) | | | |
| 5 | 11 | 14 | 19 | | | |
|  | | | | | | |
| ALLEN WRENCH, 3mm (1X) | | | | | | |
| 6 | | | | | | |

STEP 1: DOOR HARDWARE INSTALLATION

The following instructions are written for installation into preexisting passageways and require the use of the included 1" X 4" X 84" backer board. If you choose to install without the backer board, each lag screw must be embedded into a framing member.

RUSTIC KIT

Attach Hangers to front side of door through the pre-drilled holes as shown in Figure 1. Installing Rustic Hangers.

1. Use (4) M10 X 55mm bolts
2. Use (8) 10mm washers at entry and exit points
3. Secure bolts using cap nuts on the exterior surfaces of the hangers

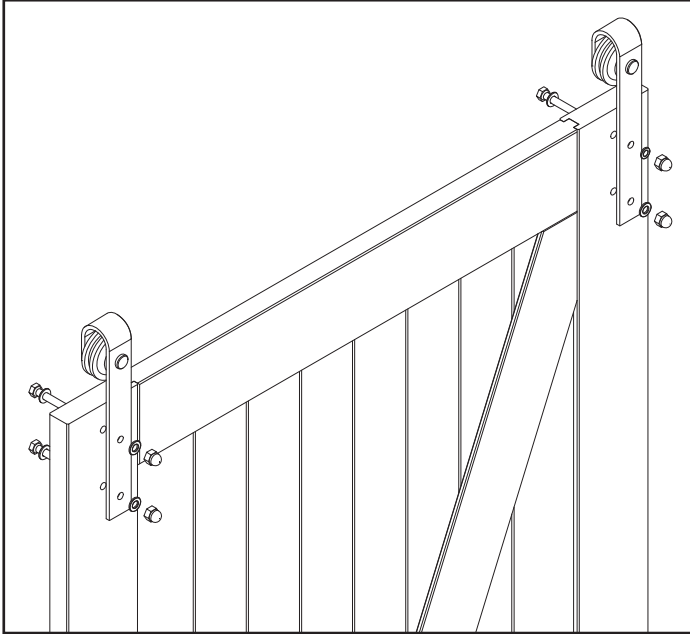


Figure 1. Installing Rustic Hangers

Next, install anti-jump disks onto the top surface of door.

1. Position the center of the disks as seen in Figure 2
2. Place disks at least 7" in from the door's edges
3. Pre-drill holes with 1/8" drill bit, roughly 5/8" deep
4. Secure with (2) #8 X 3/4" wood screws (keep anti-jump disk loose enough for future rotation; to be tightened in step 4)

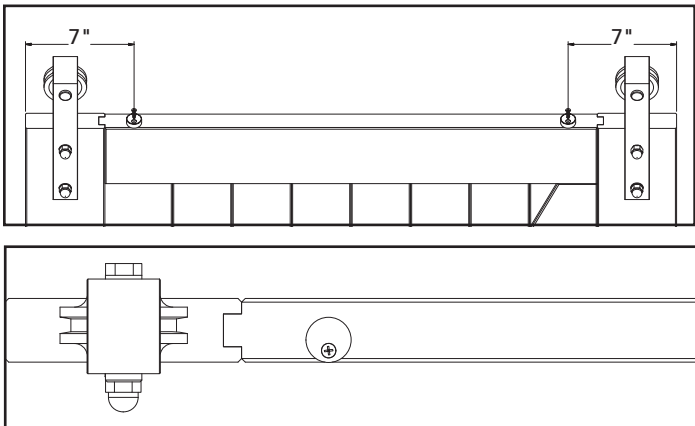


Figure 2. Pre-drilling Anti-Jump Disk

MODERN KIT

Attach hangers to top surface of door through pre-drilled holes as shown in Figure 3. Installing Modern Hangers.

1. Use (4) #14 x 1 1/2" wood screws
- Firmly tighten screws with Phillips head screwdriver;
Do not over torque**

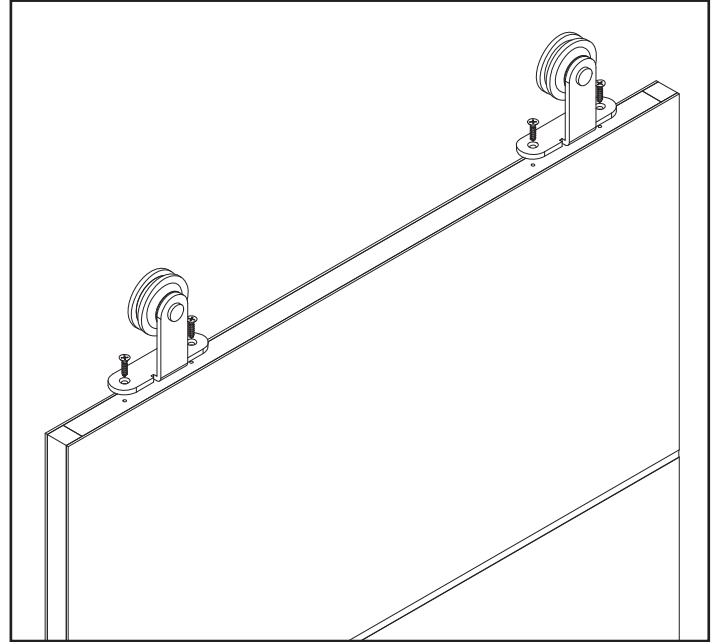


Figure 3. Installing Modern Hangers

Next, install anti-jump disks onto the top surface of door.

1. Position the disks as seen in Figure 4
2. Place disks at least 9 1/2" in from the door's edges
3. Pre-drill holes with 1/8" drill bit, roughly 1/2" deep
4. Secure with (2) #8 X 3/4" wood screws (keep anti-jump disk loose enough for future rotation; to be tightened in step 4)

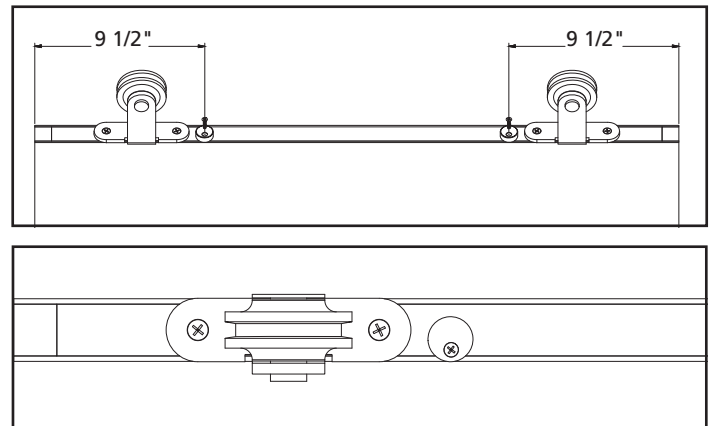


Figure 4. Pre-drilling Anti-Jump Disk

STEP 1: DOOR HARDWARE INSTALLATION (CONT.)

RUSTIC KIT

Next, install the handle.

1. Use the Rustic Kit Pre-drill diagram (Page 9) to locate & pre-drill the holes required to fasten the handle
- Handle can be installed on either side of door, depending on the sliding direction (Pre-drill diagram is universal)**
2. Locate the diagram's rustic reference line 40-3/4" from the top of the door
 3. Fold the diagram around the door as indicated and pre-drill for the handle using a 1/8" bit, roughly 5/8" deep, into the door
 4. Secure handle using the (4) #8 x 3/4" wood screws

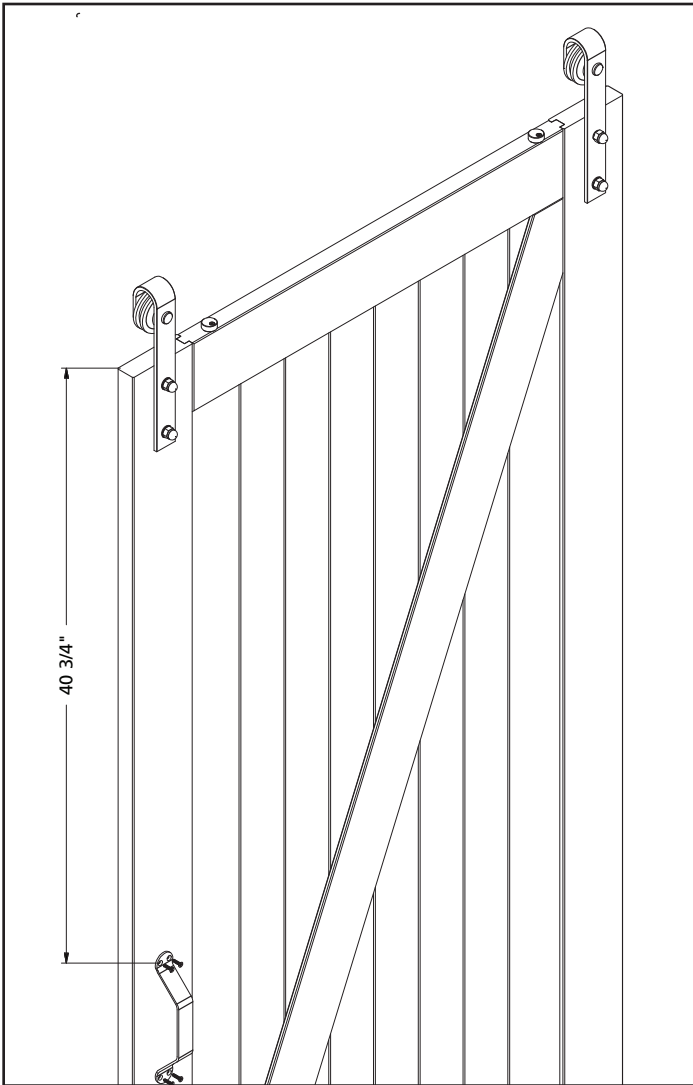


Figure 5. Pre-Drilling Rustic Handle

If the door is used in a passageway that requires access from either side, the next step is to install the included finger pull using the supplied pre-drill diagram on page 11.

1. Locate the diagram's finger pull reference line 45" from the top of the door and drill a 3/4" hole 5/8" deep
2. Press finger pull into place as shown in figure 6

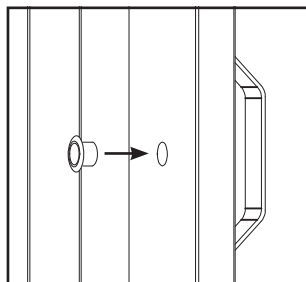


Figure 6. Pre-drilling for Finger Pull

MODERN KIT

Next, install the handle.

1. Use the Modern Kit Pre-drill diagram (Page 10) to locate & pre-drill the holes required to fasten the handle
- Handle can be installed on either side of door, depending on the sliding direction (Pre-drill diagram is universal)**
2. Locate the diagram's modern reference line 43" from the top of the door
 3. Fold the diagram around the door as indicated and pre-drill for the handle using a 1/4" bit, through the door
 4. Secure handle using the (2) M6 X 55mm machine screws

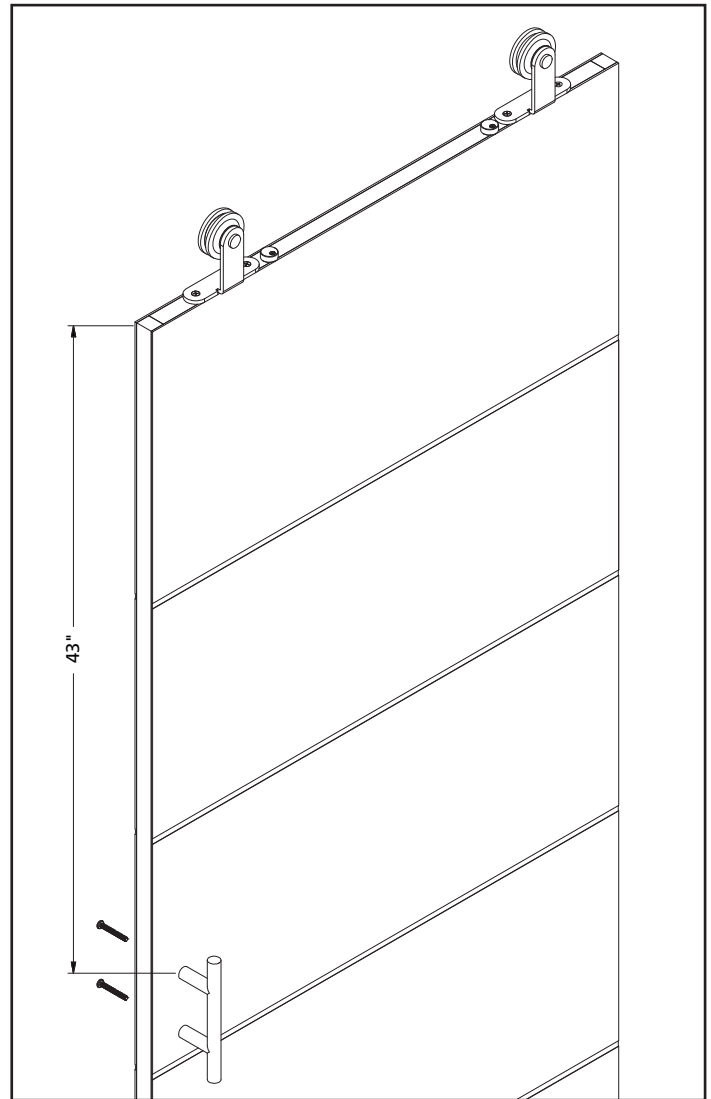


Figure 7. Pre-Drilling Modern Handle

If the door is used in a passageway that requires access from either side, the next step is to install the included finger pull using the supplied pre-drill diagram on page 11.

1. Locate the diagram's finger pull reference line 45" from the top of the door and drill a 3/4" hole 5/8" deep
2. Press finger pull into place as shown in figure 8

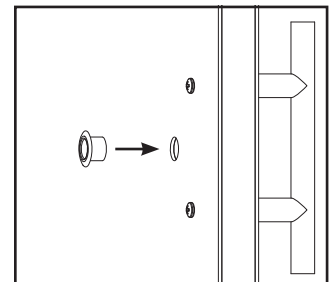


Figure 8. Pre-drilling for Finger Pull

STEP 2: BACKER BOARD INSTALLATION FOR RUSTIC AND MODERN

Pre-drill the 1 X 4 X 84 backer board to align with the track's mounting holes by clamping the track to the backboard and using it as a stencil.

1. Center track on backer board. You should roughly have 31/32" on either side of the track to the edges of the backer board
2. Pre-drill through the 6 main track holes, using a 1/4" bit, through the backer board

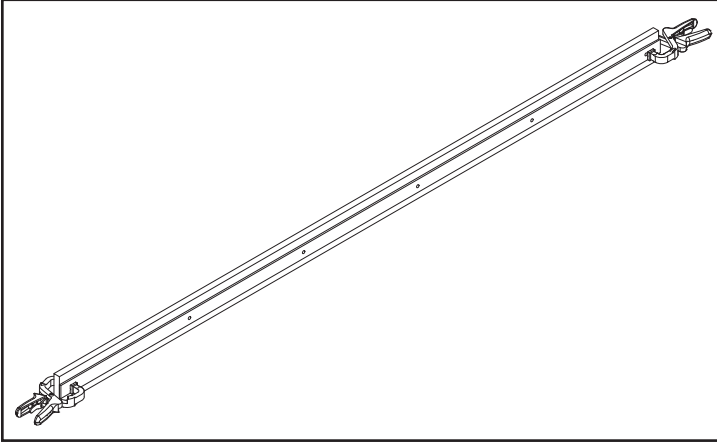


Figure 9. Pre-drilling Backer Board

Locating Studs

1. The board will be placed 84-1/4" from the bottom edge of the backer board to the ground. If installing into thicker carpet, make sure to take this measurement with the end of the measuring tape firmly placed to the base of the carpet
2. Horizontally, the board should be placed so it has a minimum of 3 inches of overlap with the passage opening the barn door will operate within, as shown in figure 10

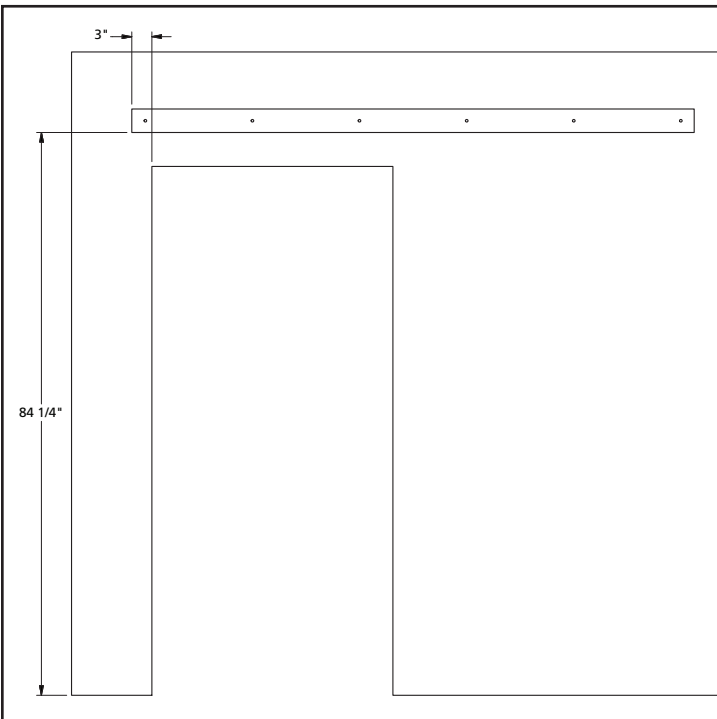


Figure 10. Backer Board Placement

Backer Board Placement

1. Make note of the general position of the backer board
2. Use a stud finder to find and locate as many studs as possible to secure the backer board to (fasteners included for 5 studs)
3. Mark the stud locations, and make note of how they will be located on the backer board

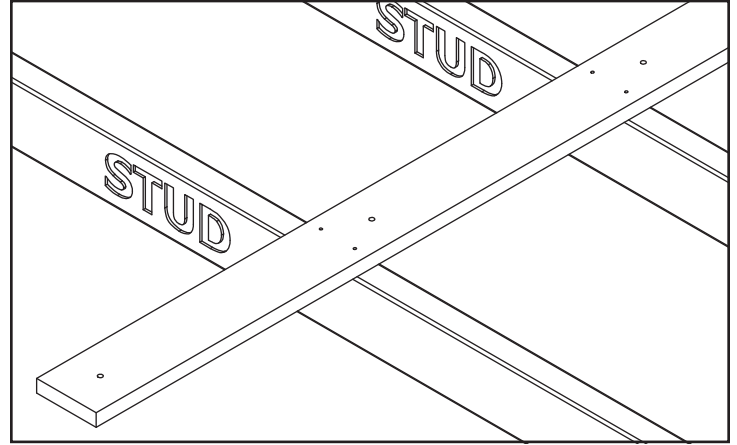


Figure 11. Backer Board Stud Alignment

Pre-drill the backer board for stud attachment.

1. Using a 1/8" drill bit, pre-drill for the studs, placing two holes vertically spaced along the area that will contact the stud as seen in figure 11
2. Once pre-drilling is complete, sand and paint or stain the backer board to the desired finish
3. With the backer board held in position and level, secure it to at least 5 studs with the included (10) #9 X 2-1/2" wood screws

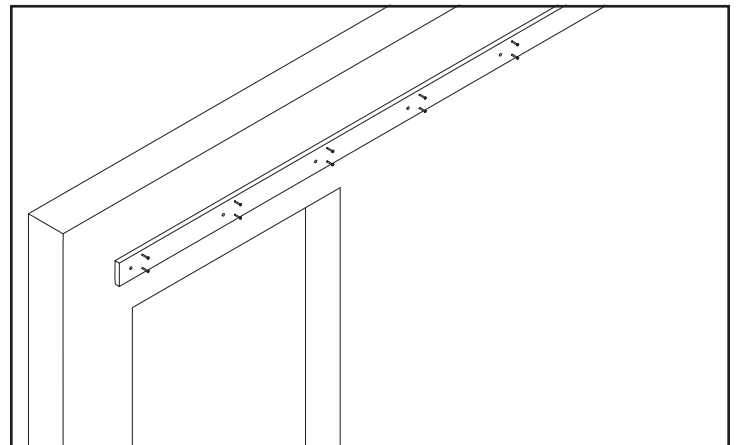


Figure 12. Installing Backer Board

STEP 3: TRACK INSTALLATION FOR RUSTIC AND MODERN

Fasten the track to the backer board.

1. Start by using (1) of (6) standoffs in line with the second pre-drilled hole to fasten the track using a lag screw
2. Make sure standoffs are positioned with the wider base resting against the backer board
3. Include a 8mm washer between the track and each lag screw.
4. Continue fastening lag bolts with a crescent wrench, skipping the 1st and 6th lags

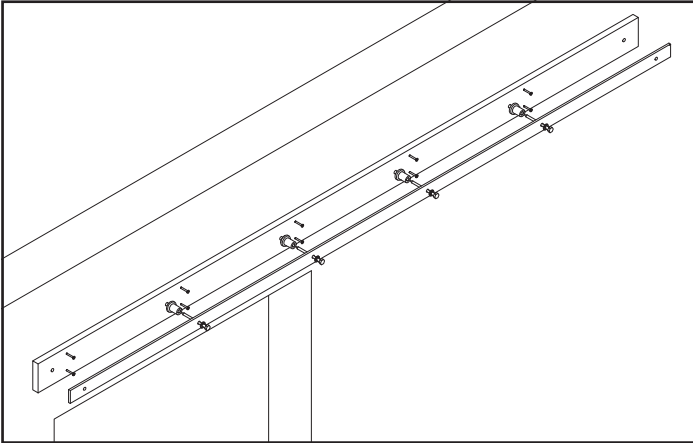


Figure 13. Installing Track

Next, slide on the left and right cushioned stops to either end of the track.

1. If using a 42" door in a 36" opening, the cushioned stops (in contact when the door is in the closed position) will have to be positioned at the ends of the track
2. For all other door sizes, it is recommended that the cushioned stops be placed between the 1st and 2nd lag and the 5th and 6th lag if possible
3. Once cushioned stops are in loosely place (To be tightened in next steps), install 1" & 6" lags (lags may need to be removed in step 4 temporarily to install Floor Guide)

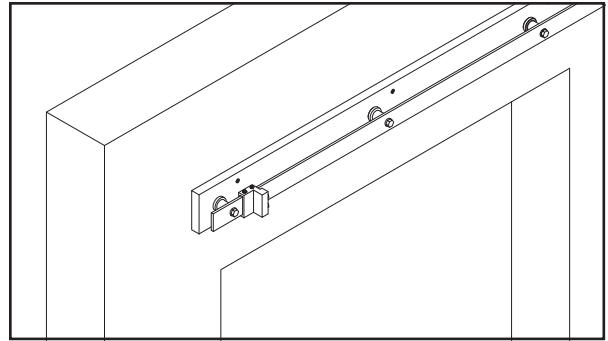


Figure 14. Sliding on Cushioned Stops

STEP 4: HANGING BARN DOOR ON TRACK FOR RUSTIC AND MODERN

1. First, swivel the anti-jump disks away from the door
2. Next, (using two people) lift door and align hangers over track, gently lower hangers into contact with track. Once the track is supporting the door, rotate the anti-jump disks so that they are under the track and tighten their screws to stop further rotation

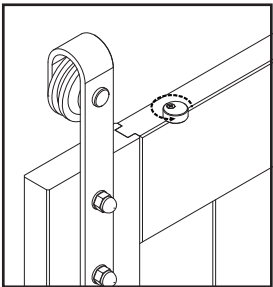


Figure 15. Anti-Jump Disks Placement

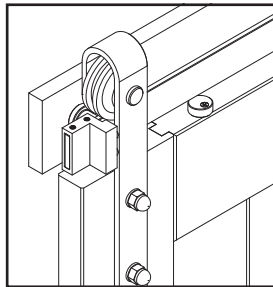


Figure 16. Anti-Jump Disk Final Position

Once the door is hanging plumb, install the floor guide

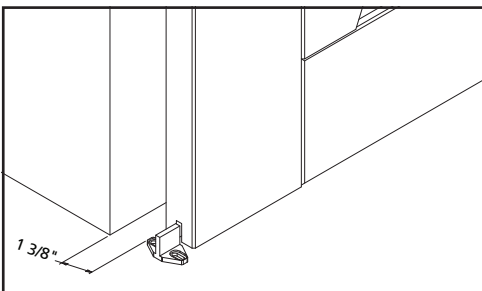


Figure 17. Positioning Floor Guide

3. Position the guide so it lines up centered with the channel on the bottom of the door, roughly 1-3/8" from the edge of the wall to the interior edge of the guide

Ensure installed Floor Guide will always be fully engaged through doors desired range of movement (fully open/fully closed)

4. Mark the two hole locations with a pencil and pre-drill with a 1/8" bit (If installing in concrete flooring, use 1/4" bit and supplied floor anchors)
5. Tighten the Floor Guide with (2) ST4.2 x 25mm screws to a snug fit, while ensuring that the Floor Guide is well engaged with the door's bottom channel
6. Secure cushioned stop using provided set screws

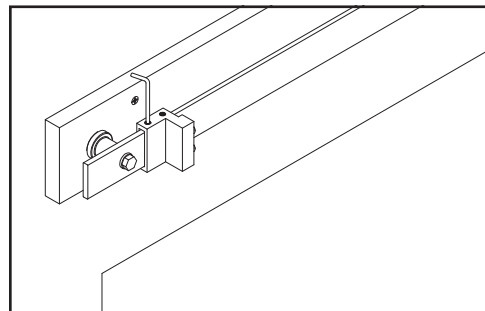


Figure 18. Secure Cushioned Stop with Allen Key

OPTIONAL: DOUBLE DOOR INSTALLATION FOR RUSTIC AND MODERN

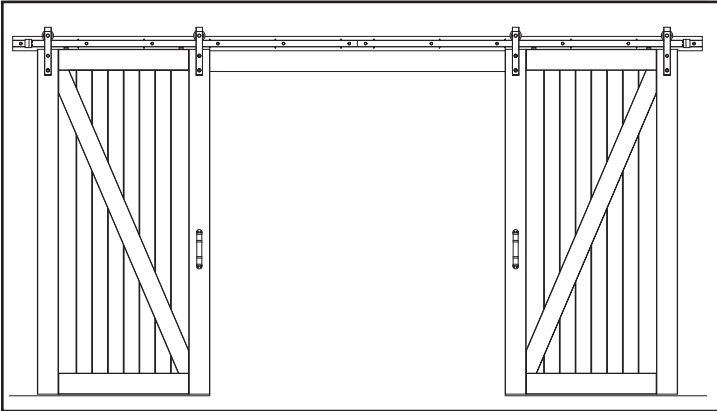
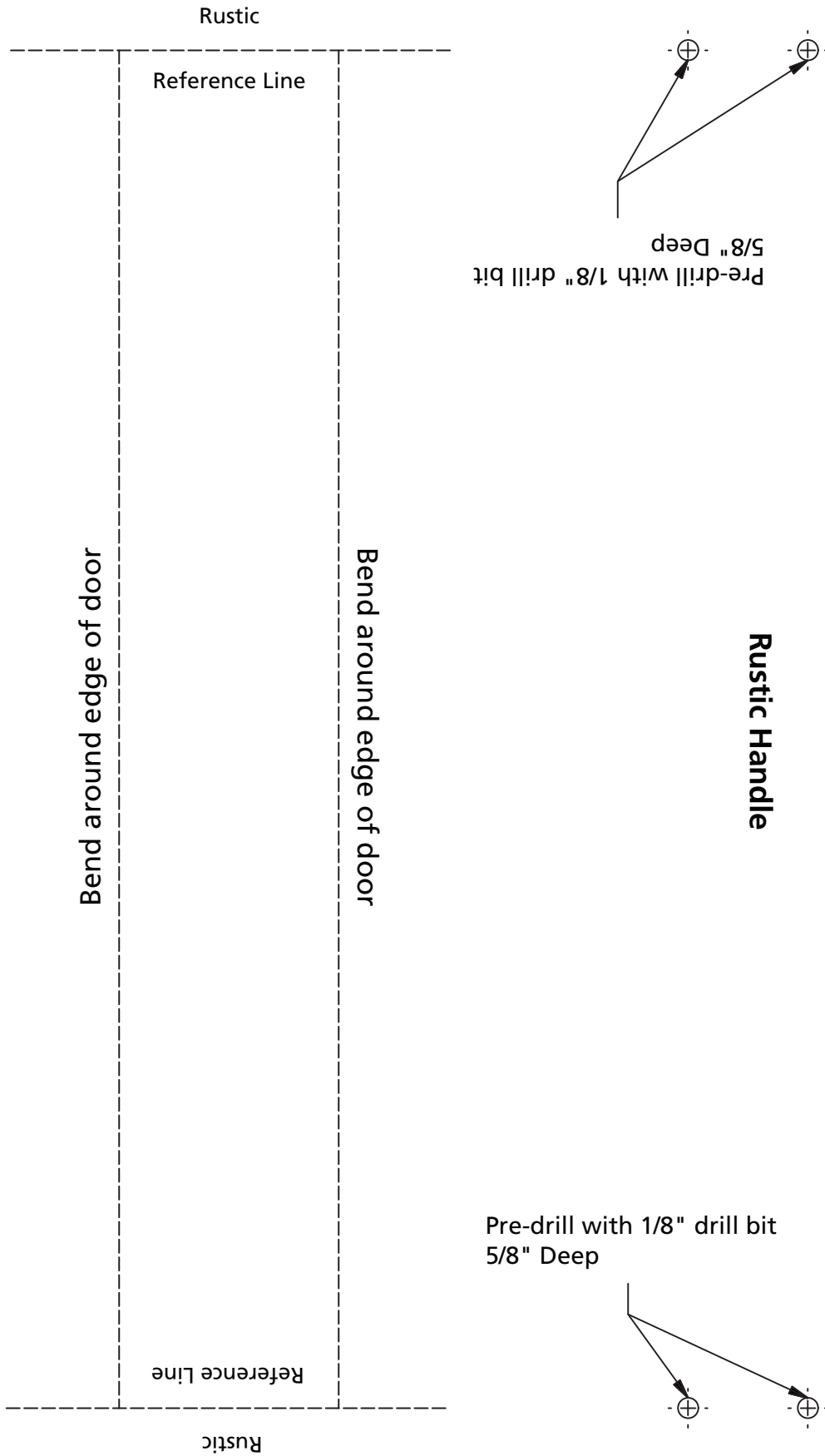


Figure 19. Double Door Installation

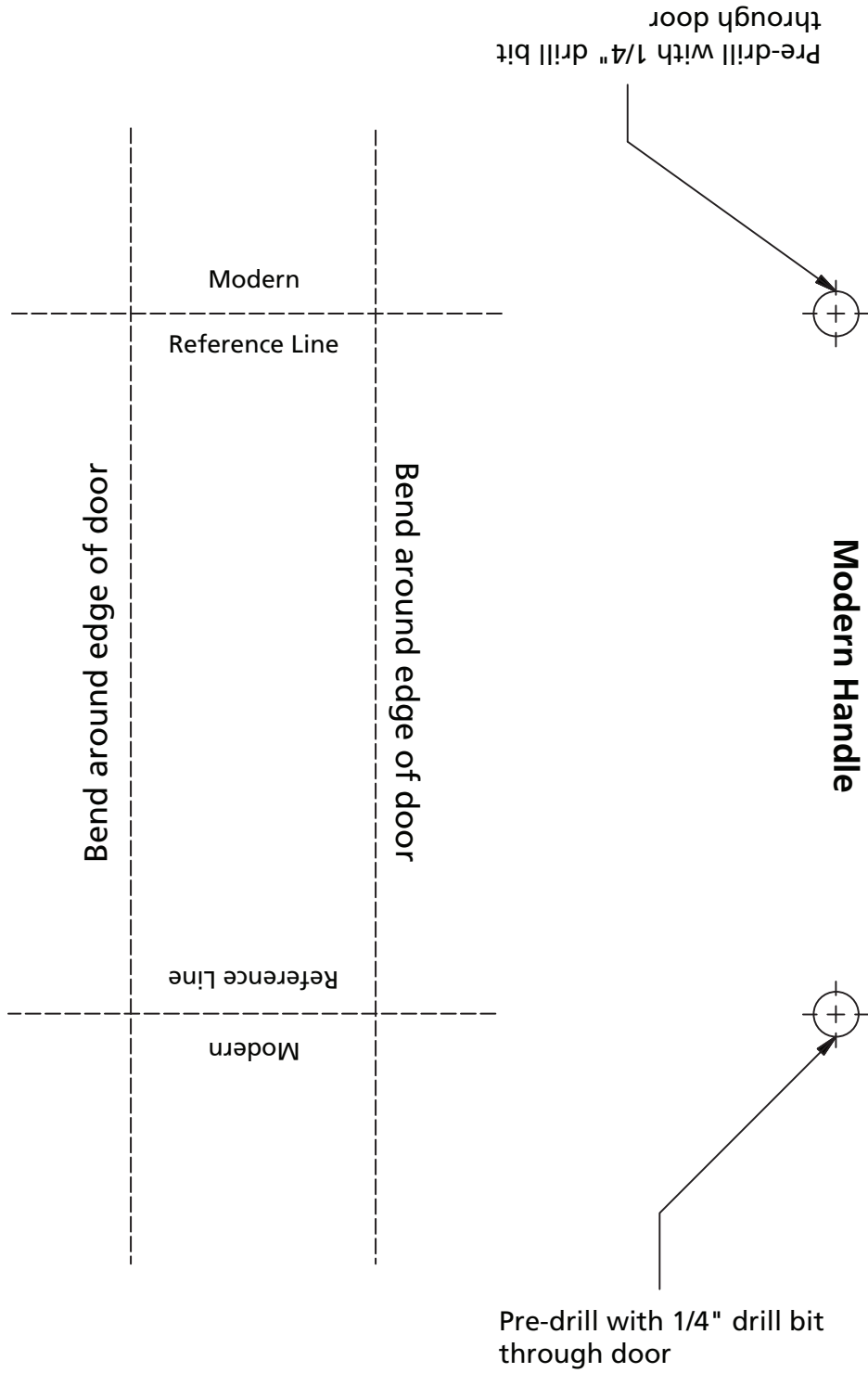
Two kits of the same kind can be used on a double door application.

To use two tracks together, follow the previous installation steps for each track, centering the backer boards and tracks within the passage way.

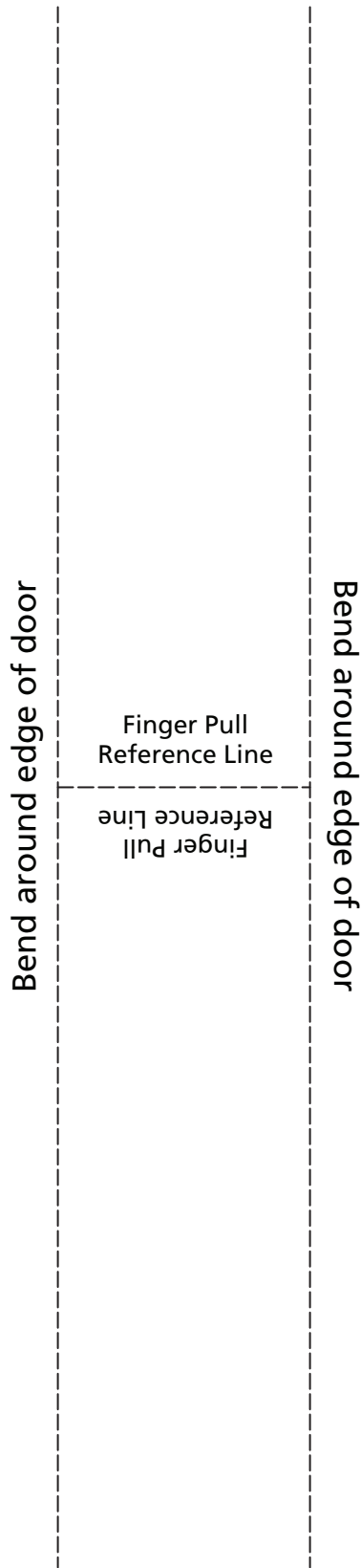
Handle Drill Pattern for Rustic Kit



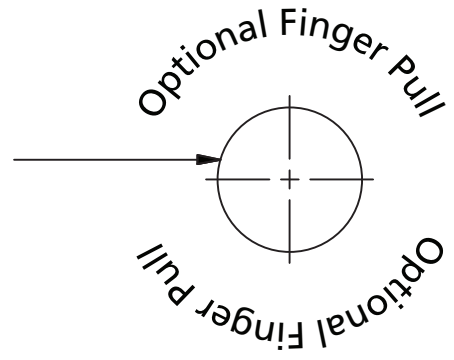
Handle Drill Pattern for Modern Kit



Finger Pull Drill Pattern



Pre-drill with 3/4" spade bit
5/8" Deep





INFORMACIÓN IMPORTANTE

CONTACTO

Si tiene alguna pregunta no dude en comunicarse con nosotros por teléfono o correo electrónico:

- Teléfono: 1-(800)-JELD-WEN/1-(800)-535-3936
- Correo electrónico: customerserviceagents@jeld-wen.com

PRECAUCIONES Y SEGURIDAD

- Lea y comprenda TODAS las instrucciones del fabricante antes de comenzar. El no seguir las instrucciones para la instalación y el acabado adecuados será motivo de que se rechacen las reclamaciones de garantía por problemas de operación o desempeño.
- No se puede cambiar el tamaño de los contenidos del kit, ya que esto podría provocar la negación de las reclamaciones de garantía.
- Nunca trabaje solo. Necesitará a dos o más personas. Use técnicas seguras para levantar.
- Use equipo de protección (p. ej. gafas de seguridad, guantes, protección para los oídos, etc.).
- Use las herramientas de mano y las herramientas mecánicas de manera segura y siga las instrucciones de operación del fabricante.

- Si hay pintura que dificulte el proceso, tome las precauciones apropiadas si la pintura es al plomo (ésta se usaba bastante hasta 1979). Su EPA regional (www.epa.gov/lead) u oficinas de la Comisión por la Seguridad de los Productos para Consumidores proporcionan información sobre normas y protección relacionada con el plomo.
- **ADVERTENCIA:** Taladrar, serrar, pulir o manufacturar productos de madera genera polvo de madera, una sustancia que el Estado de California sabe que provoca cáncer. Use un respirador u otras medidas de seguridad para evitar la inhalación de polvo de madera.

MANEJO DE LOS MATERIALES Y DE LA PUERTA

- Permita que las puertas se aclimaten a las condiciones locales por al menos 24 horas antes de terminar su instalación.
- Almacene la puerta en un área seca y bien ventilada.
- No la arrastre por el piso.
- Proteja las puertas de exposición directa a rayos del sol cuando estén almacenadas.

¡SI SE PRESENTA ALGUNA LESIÓN, BUSQUE AYUDA MEDICA DE INMEDIATO!

MATERIALES Y HERRAMIENTAS

MATERIALES NECESARIOS

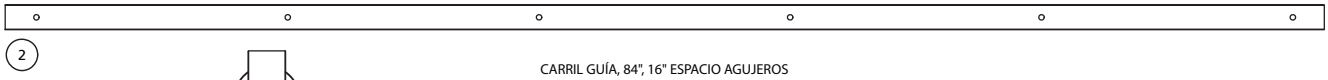
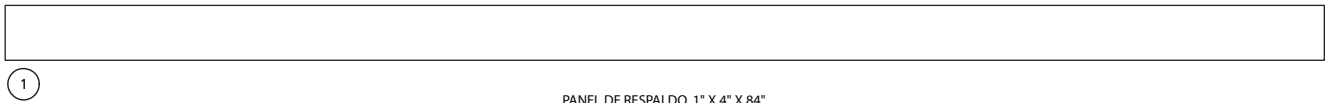
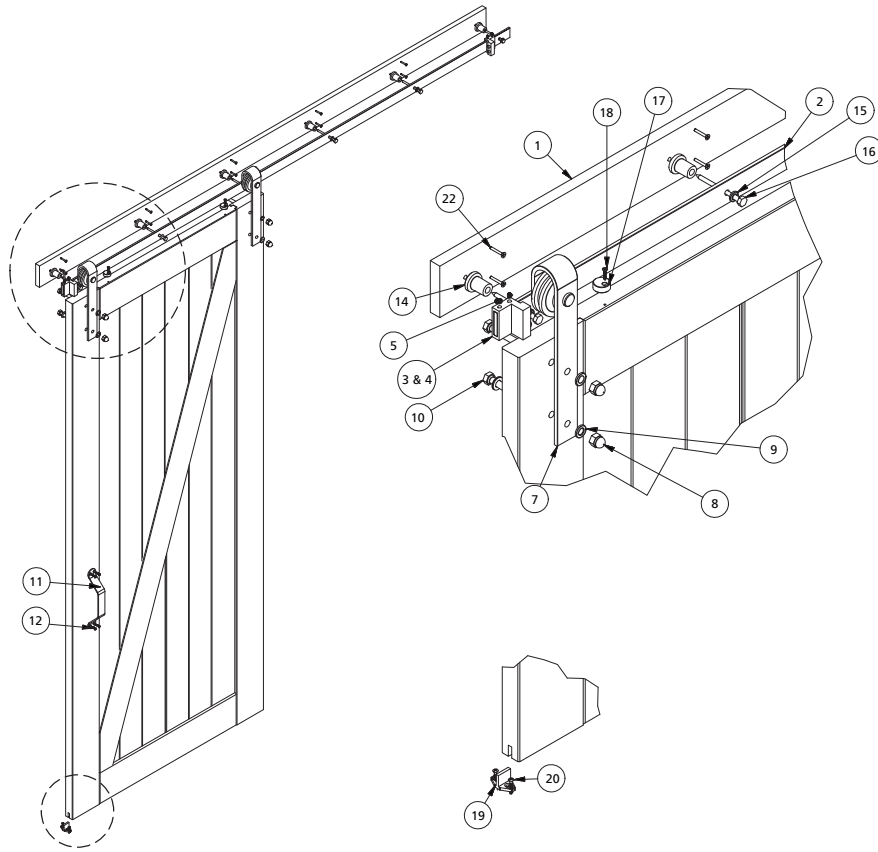
- (1 o 2) Kits de Puerta para Granero
- Pintura/Colorante (Opcional)
- Lija (Opcional)

HERRAMIENTAS NECESARIAS

- Cinta métrica
- Nivel
- Escuadra
- Lápiz
- Detector de montantes
- (2) Pinzas
- Taladro inalámbrico
- Broca de 1/8"
- Broca de 1/4"
- Broca para madera de 3/4"
- Destornillador Phillips
- Llave inglesa o conjunto de llaves para tuercas

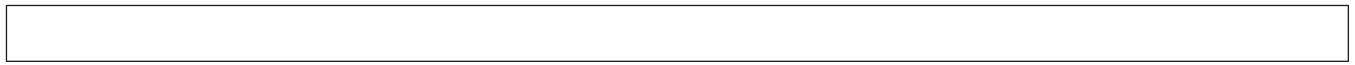
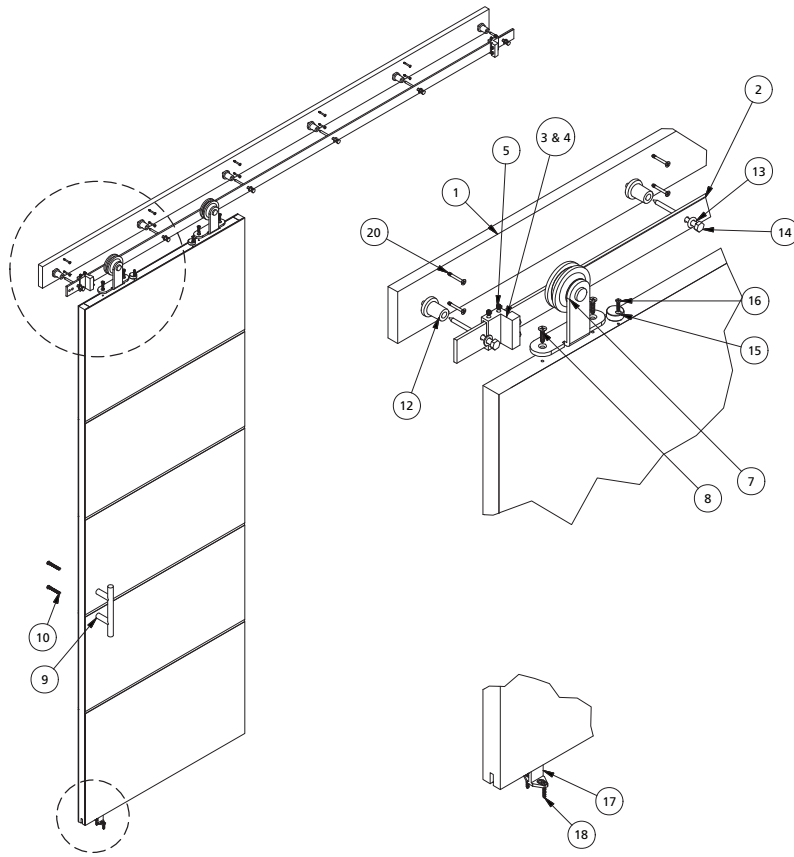
Visite jeld-wen.com/product-support para instrucciones sobre instalación y acabados, así como videos con guías básicas.

KIT RÚSTICO



- | | | | | | | |
|-------------------------------------------------------------------------------|----------------------------|--------------------------|-----------------------|--------------------------|-----------------------------|-----------------------------|
| | | | | | | |
| FRENO AMORTIGUADO, IZQUIERDO (1X) | SOPORTE (2X) | MANIJA RÚSTICA (1X) | ESPACIADOR (6X) | DISCO ANTI-SALTO (2X) | GUÍA DE SUELO (1X) | TORNILLO, #9 X 2-1/2" (10X) |
| 3 | 7 | 11 | 14 | 17 | 19 | 22 |
| | | | | #8 X 3/4" screw (18)"/> | #4.2 X 25MM screw (20)"/> | |
| FRENO AMORTIGUADO, DERECHO (1X) | TUERCA CABEZA REDONDA (4X) | TORNILLO, #8 X 3/4" (4X) | ARANDELA, 8MM (6X) | TORNILLO, #8 X 3/4" (2X) | TORNILLO, ST4.2 X 25MM (2X) | |
| 4 | 8 | 12 | 15 | 18 | 20 | |
| | | | | | | |
| CONJUNTO DE TORNILLOS, M6 X 3 MM (4X)
(PREINSTALADO EN FRENO AMORTIGUADOS) | ARANDELA, 10MM (8X) | JALADERA, (1X) | BULÓN, M8 X 90MM (6X) | | ANCLAJE DE SUELO (2X) | |
| 5 | 9 | 13 | 16 | | 21 | |
| | | | | | | |
| LLAVE ALLEN, 3MM (1X) | PERNO, M10 X 55MM (4X) | | | | | |
| 6 | 10 | | | | | |

KIT MODERNO



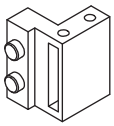
1

PANEL DE RESPALDO, 1" X 4" X 84"



2

CARRIL GUÍA, 84", 16" ESPACIO AGUJEROS



FRENO AMORTIGUADO, IZQUIERDO (1X)

3



SOPORTE (2X)

7



MANIJA MODERNA (1X)

9



ESPACIADOR (6X)

12



DISCO ANTI-SALTO (2X)

15



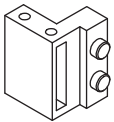
GUÍA DE SUELO (1X)

17



TORNILLO, #9 X 2-1/2" (10X)

20



FRENO AMORTIGUADO, DERECHO (1X)

4



TORNILLO, #14 X 1-1/2" (4X)

8



TORNILLO, M6 X 55MM (2X)

10



ARANDELA, 8MM (6X)

13



TORNILLO, #8 X 3/4" (2X)

16



TORNILLO, ST4.2 X 25MM (2X)

18



CONJUNTO DE TORNILLOS, M6 X 3 MM (4X)
(PREINSTALADO EN FRENO AMORTIGUADOS)

5



JALADERA, (1X)

11



BULÓN, M8 X 90MM (6X)

14



ANCLAJE DE SUELO (2X)

19



LLAVE ALLEN, 3MM (1X)

6

PASO 1: INSTALACIÓN DEL HARDWARE DE LA PUERTA

Las siguientes instrucciones están escritas para su instalación en vías de paso preexistentes y requieren el uso del panel de respaldo incluido de 1" X 4" X 84". Si decide instalar sin el panel de respaldo, cada bulón debe estar integrado en un elemento del marco.

KIT RÚSTICO

Adjunte los soportes al lado frontal de la puerta a través de los agujeros previamente perforados como se muestra en la Figura 1. Instalación de soportes rústicos.

1. Utilice (4) tornillos M10 x 55mm
2. Utilice (8) arandelas de 10 mm en los puntos de entrada y salida
3. Fije los tornillos utilizando tuercas de cabeza redonda en las superficies exteriores de los soportes

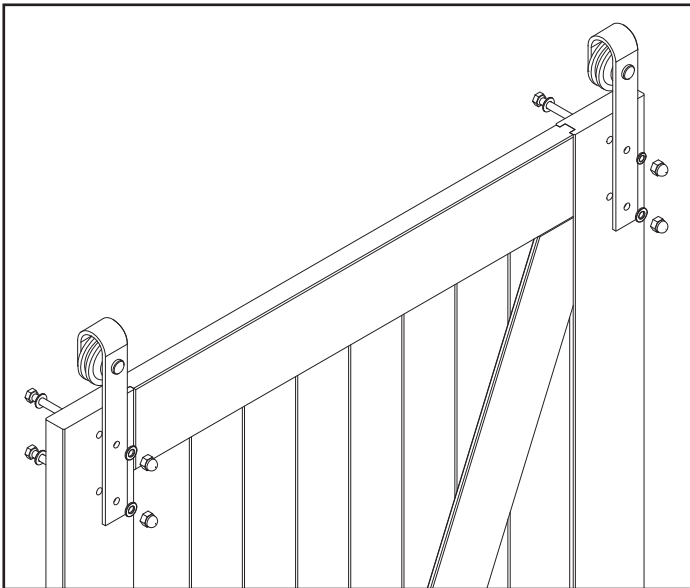


Figura 1. Instalación de soportes rústicos

A continuación, instale los discos anti-salto sobre la superficie superior de la puerta.

1. Coloque el centro de los discos como se ve en la Figura 2
2. Coloque los discos al menos a 7" de los extremos de la puerta
3. Taladre previamente agujeros con broca de 1/8" con una profundidad aproximada de 5/8"
4. Asegure con (2) tornillos para madera #8 X 3/4" (deje suelto el disco anti-salto lo suficiente como para que pueda rotar posteriormente; se apretará en el paso 4)

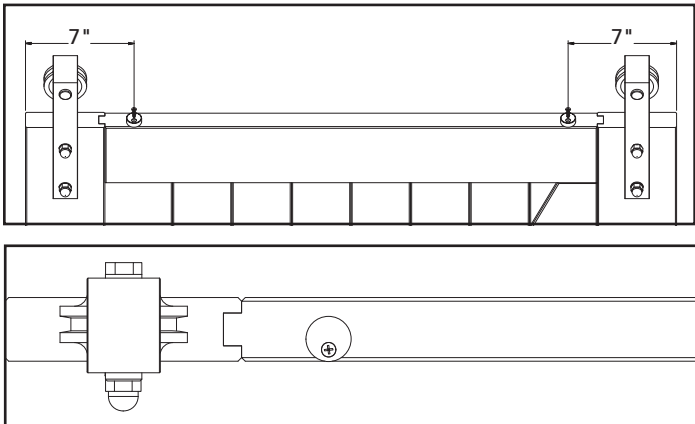


Figura 2. Taladrar previamente el disco anti-salto

KIT MODERNO

Adjunte los soportes a la superficie superior de la puerta a través de los agujeros previamente perforados como se muestra en la Figura 3.

Instalación de soportes modernos.

1. Use (4) tornillos para madera #14 x 1 1/2"

Apriete firmemente los tornillos con un destornillador de cabezal Phillips; No apriete demasiado

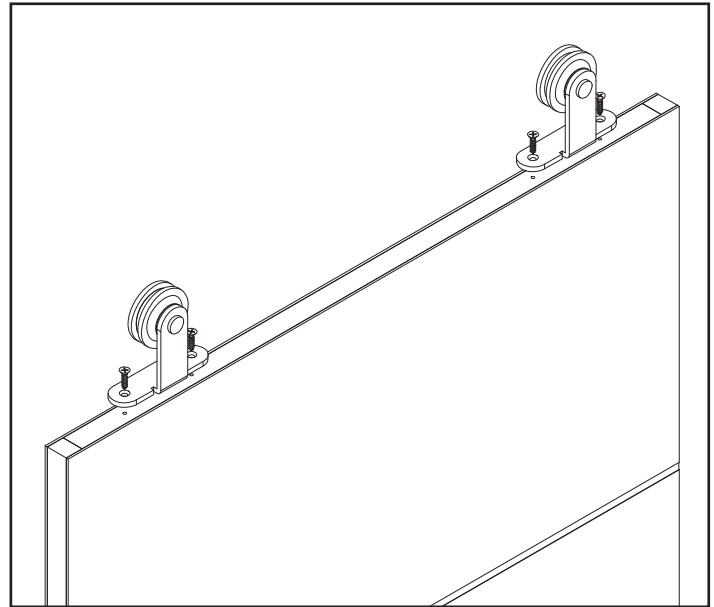


Figura 3. Instalación de soportes modernos

A continuación, instale los discos anti-salto sobre la superficie superior de la puerta.

1. Coloque los discos como se ve en la figura 4
2. Coloque los discos de al menos 9 1/2" en los extremos de la puerta
3. Taladre previamente agujeros con broca de 1/8" y una profundidad de aproximadamente 1/2"
4. Asegure con (2) tornillos para madera #8 X 3/4" (deje suelto el disco anti-salto lo suficiente como para que pueda rotar posteriormente; se apretará en el paso 4)

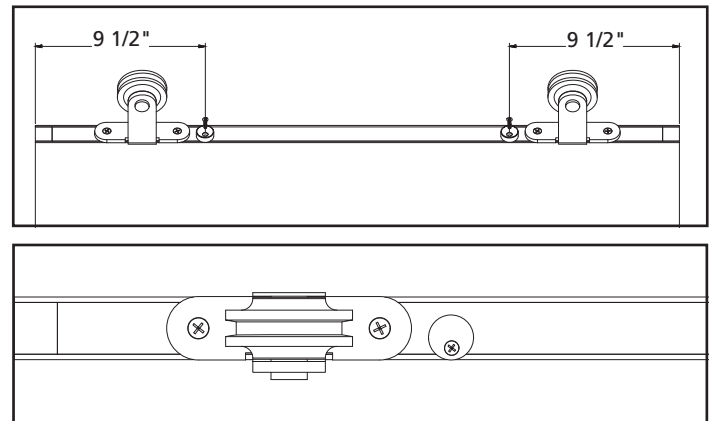


Figura 4. Taladrar previamente el disco anti-salto

PASO 1: INSTALACIÓN DEL HARDWARE DE LA PUERTA (CONT.)

KIT RÚSTICO

A continuación, instale la manija.

1. Utilice el diagrama del Kit Rústico para taladrar previamente (Página 9) para localizar y taladrar previamente los agujeros necesarios para asegurar la manija
La manija se puede instalar en cualquiera de los lados de la puerta, dependiendo de la dirección de deslizamiento (el diagrama para taladrar previamente es universal)
2. Localice la línea de referencia del diagrama del kit rústico a 40-3/4" desde la parte superior de la puerta
3. Doble el diagrama alrededor de la puerta como se indica y taladre previamente para la manija usando una broca de 1/8" y una profundidad de aproximadamente 5/8" en la puerta
4. Asegure la manija utilizando los (4) tornillos para madera #8 x 3/4"

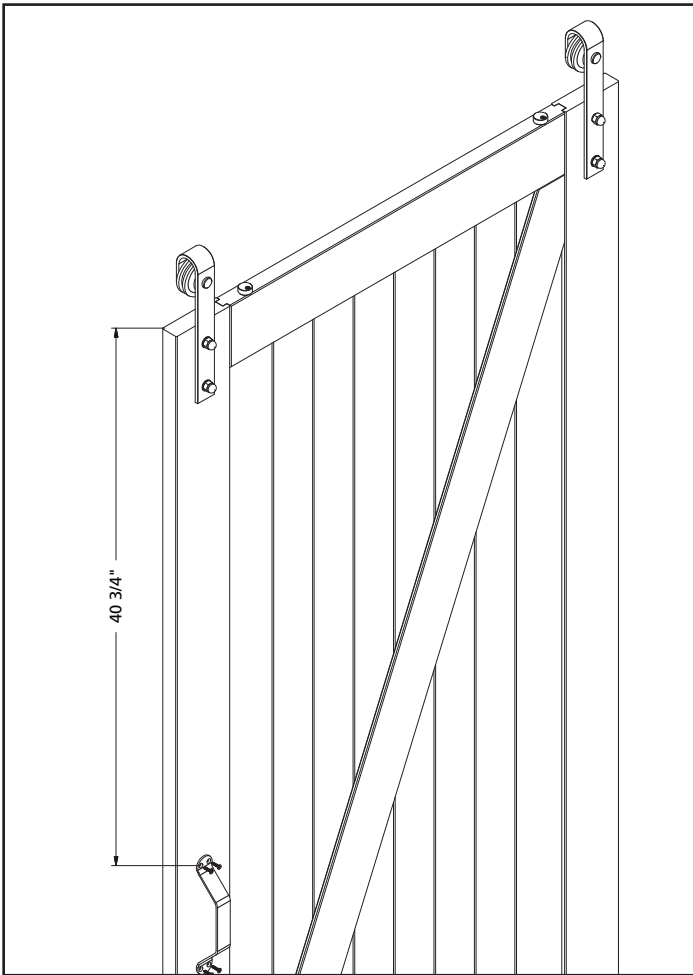


Figura 5. Taladrar previamente la manija rústica

Si la puerta se usa en una zona de paso que requiera un acceso desde cualquier lado, el siguiente paso será instalar la manija de dedo usando el diagrama de taladro previo suministrado en la página 11.

1. Localice la línea de referencia de la manija de dedo a 45" desde la parte superior de la puerta y taladre un agujero de 3/4" y 5/8" de profundidad
2. Presione la manija de dedo en su lugar como se muestra en la figura 6

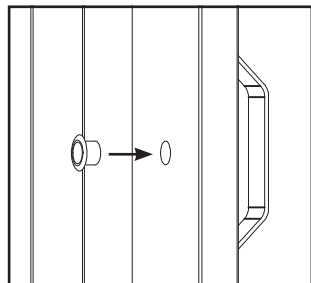


Figura 6. Taladrar previamente para la jaladera

MODERN KIT

A continuación, instale la manija.

1. Utilice el diagrama del Kit Moderno para taladrar previamente (Página 10) para localizar y taladrar previamente los agujeros necesarios para asegurar la manija
La manija se puede instalar en cualquiera de los lados de la puerta, dependiendo de la dirección de deslizamiento (el diagrama para taladrar previamente es universal)
2. Localice la línea de referencia del diagrama de 43" desde la parte superior de la puerta
3. Doble el diagrama alrededor de la puerta como se indica y taladre previamente para la manija usando una broca de 1/4" atravesando la puerta
4. Asegure la manija utilizando los (2) tornillos para metales M6 X 55mm

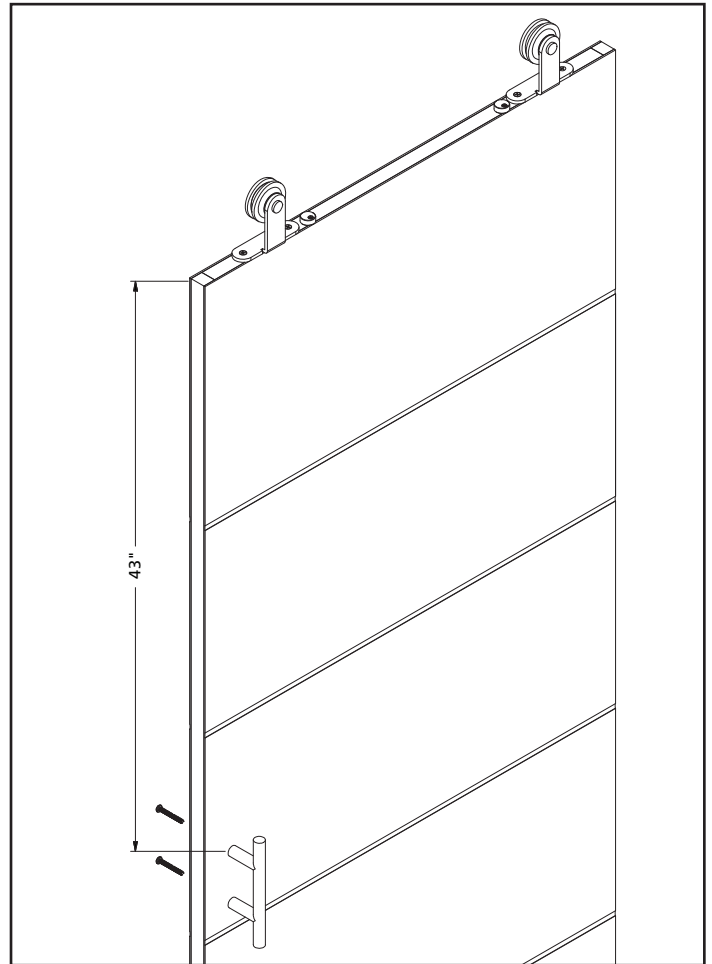


Figura 7. Taladrar previamente para la manija moderna

Si la puerta se usa en una zona de paso que requiera un acceso desde cualquier lado, el siguiente paso será instalar la manija de dedo usando el diagrama de taladro previo suministrado en la página 11.

1. Localice la línea de referencia de la manija de dedo a 45" desde la parte superior de la puerta y taladre un agujero de 3/4" y 5/8" de profundidad
2. Presione la manija de dedo en su lugar como se muestra en la figura 8

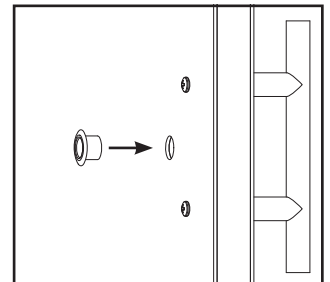


Figura 8. Taladrar previamente para la jaladera

PASO 2: INSTALACIÓN DE LOS PANELES DE RESPALDO PARA RÚSTICO Y MODERNO

Taladrar previamente el panel de respaldo de 1 X 4 X 84 para alinearlos con los agujeros de montaje para el carril sujetando con abrazaderas dicho carril junto con el panel el tablero, para que sirva como plantilla.

1. Centre el carril sobre el panel de respaldo Deberían quedarle más o menos 31/32" a ambos lados del carril hasta los extremos del panel de respaldo
2. Taladre previamente los 6 agujeros principales del carril, utilizando una broca de 1/4", atravesando el panel de respaldo

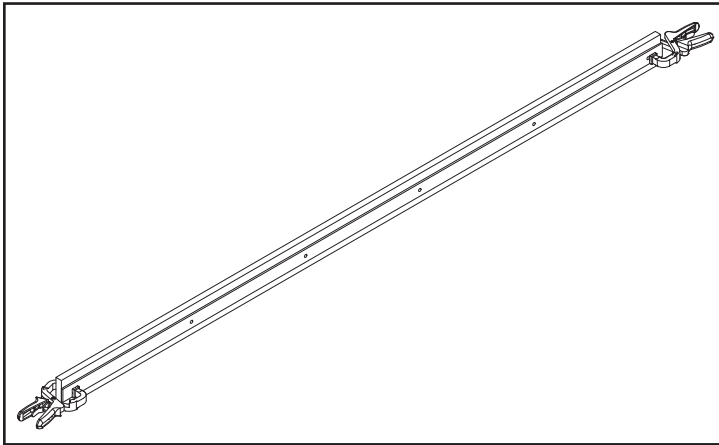


Figura 9. Taladrar previamente para el panel de respaldo

Localización de los montantes

1. El panel se debe colocar a 84-1/4" desde el extremo inferior del panel hasta el suelo. Si va a instalar sobre una alfombra gruesa, asegúrese de tomar esta medida con el final de la cinta métrica firmemente colocado sobre la base de la alfombra
2. Horizontalmente, el panel debe ser colocado para que tenga un mínimo de 3 pulgadas de superposición con el paso de apertura de la puerta del granero con la que funcionará, como se muestra en la figura 10

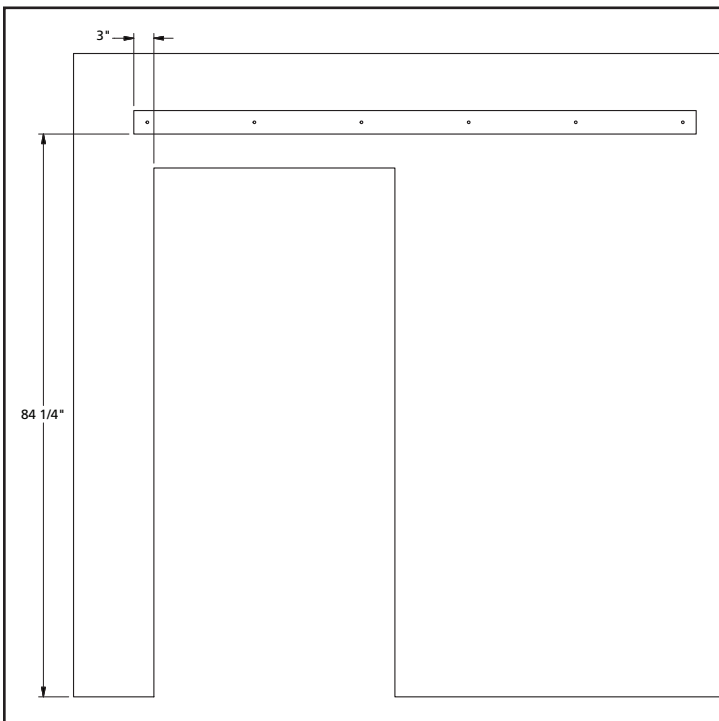


Figura 10. Colocación del panel de respaldo

Colocación del panel de respaldo

1. Tome nota de la posición general del panel de respaldo
2. Utilice un localizador de montantes para encontrar y localizar el mayor número de montantes como sea posible para asegurar el panel de respaldo (elementos de fijación incluidos para 5 montantes)
3. Marque las posiciones de los montantes, y tome nota de cómo se ubicarán en el panel de respaldo

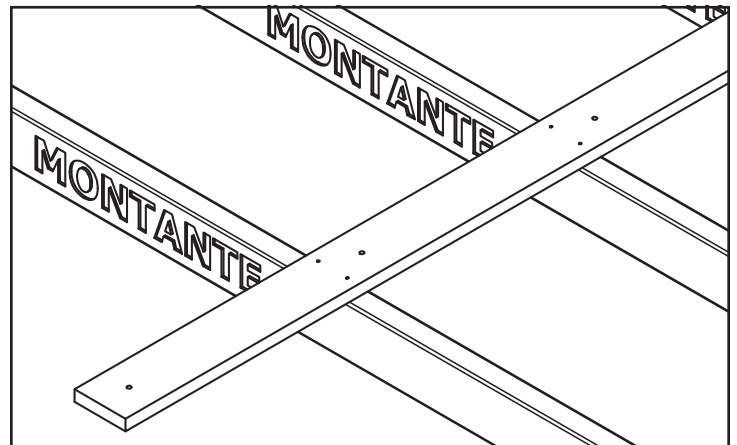


Figura 11. Alineación de montantes en el panel de respaldo

Taladre previamente el panel de respaldo para fijar el montante.

1. Usando una broca de 1/8", taladre previamente para los montantes, haciendo dos agujeros separados verticalmente a lo largo del área que hará contacto con el montante según se puede ver en la figura 11
2. Una vez que haya terminado de taladrar previamente, lije y aplique pintura o colorante al panel con el acabado que desee
3. Con el panel de respaldo aguantado en posición y nivel, asegúrelo con al menos 5 montantes con los (10) tornillos para madera #9 2-1/2" incluidos

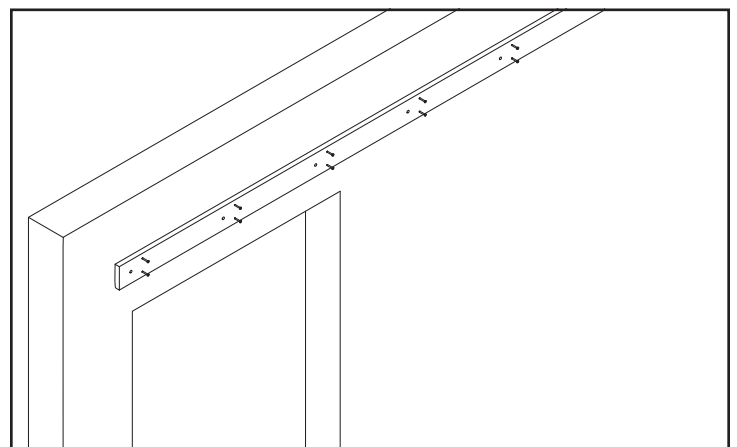


Figura 12. Instalación del panel de respaldo

PASO 3: INSTALACIÓN DEL CARRIL PARA RÚSTICO Y MODERNO

Fije el carril al panel de respaldo.

1. Comience usando (1) de los (6) espaciadores en línea con el segundo agujero previamente taladrado para sujetar el carril utilizando un bulón
2. Asegúrese de que los espaciadores se colocan con la base más amplia apoyada contra el panel de respaldo
3. Incluya una arandela de 8 mm entre el carril y cada bulón.
4. Continúe con la fijación de los bulones con una llave inglesa, saltándose los bulones 1° y 6°

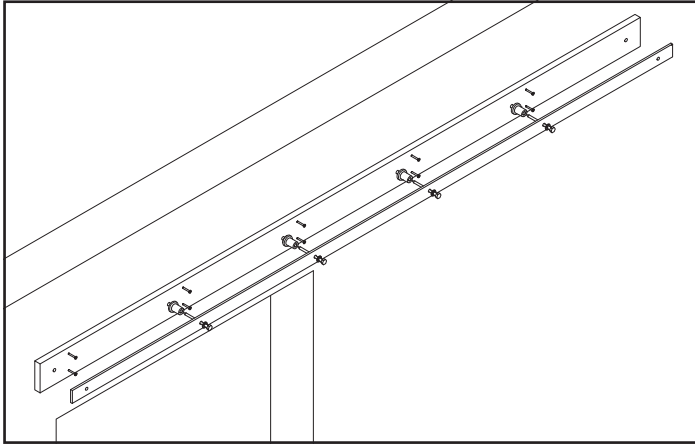


Figura 13. Instalación del carril

A continuación, deslice los frenos amortiguados hacia cualquiera de los extremos del carril (izquierda y derecha).

1. Si utiliza una puerta de 42" en una apertura de 36", los frenos amortiguados (en contacto cuando la puerta está en la posición cerrada) tendrán que ser colocados en los extremos del carril
2. Para todos los demás tamaños de puerta, se recomienda que los frenos amortiguados sean colocados entre el 1er y el 2° bulón y el 5° y el 6° bulón si es posible
3. Una vez que los frenos amortiguados están sueltos en su sitio (serán apretados en los siguientes pasos), instale el 1er y el 6° bulón (los bulones pueden necesitar ser retirados en el paso 4 temporalmente para instalar la Guía de suelo)

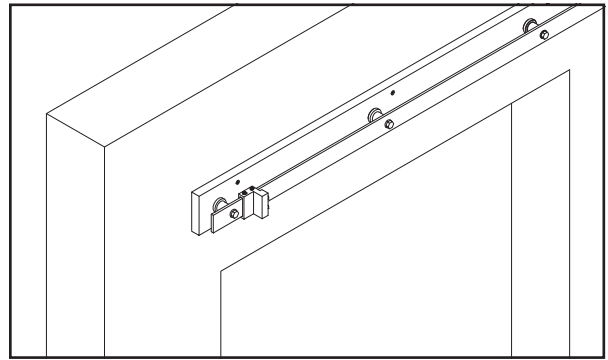


Figura 14. Deslizamiento de los frenos amortiguados

ETAPA 4: COLGAR LA PUERTA DE GRANERO EN EL CARRIL PARA RÚSTICO Y MODERNO

1. En primer lugar, gire los discos anti-salto hacia afuera de la puerta
2. A continuación, (con dos personas) levante la puerta y alinee las manijas sobre el carril, y luego baje las manijas suavemente hasta que hagan contacto con el carril. Una vez que el carril esté apoyando la puerta, gire los discos anti-salto para que estén debajo del carril y apriete sus tornillos para detener cualquier rotación adicional

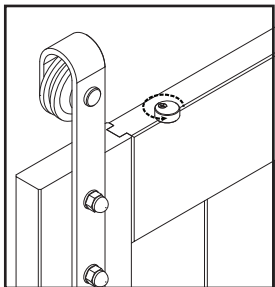


Figura 15. Colocación de discos anti-salto

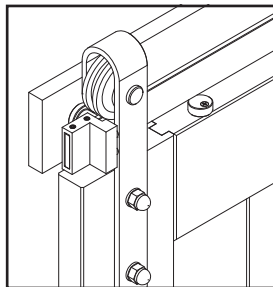


Figura 16. Posición final de discos anti-salto

Una vez que la puerta esté colgada a plomo, instale la guía de suelo

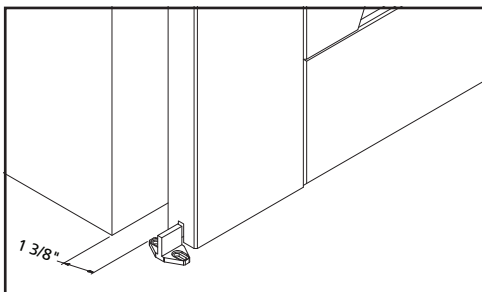


Figura 17. Posicionamiento de la guía de suelo

3. Posicione la guía de modo que se alinee centrada con respecto al canal de la parte inferior de la puerta, más o menos 1-3/8" del extremo de la pared hasta el extremo interior de la guía

Asegúrese de que la Guía de suelo instalada siempre funcione plenamente a través del rango de movimiento deseado para las puertas (completamente abierta/completamente cerrada)

4. Marque las ubicaciones de los dos agujeros con un lápiz y taladre previamente con una broca de 1/8" (si la instalación se realiza sobre un suelo de concreto, use una broca de 1/4" y los anclajes de suelo suministrados)
5. Apriete la Guía de suelo con (2) tornillos ST4.2 x 25mm hasta lograr un ajuste perfecto, garantizando al mismo tiempo que la Guía de suelo funcione correctamente con el canal inferior de la puerta
6. Asegure el freno amortiguado usando el conjunto de tornillos

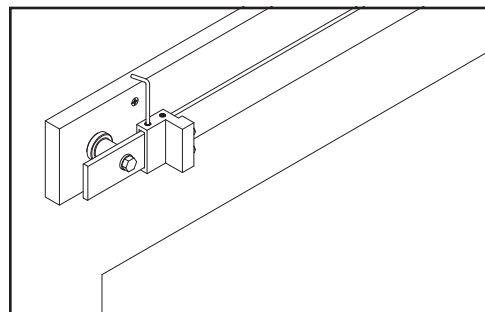


Figura 18. Asegure el freno amortiguado con la llave Allen

OPCIONAL: INSTALACIÓN DE PUERTA DOBLE PARA RÚSTICO Y MODERNO

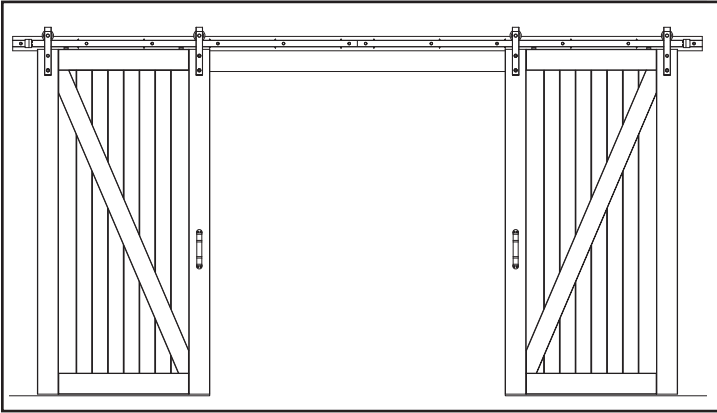
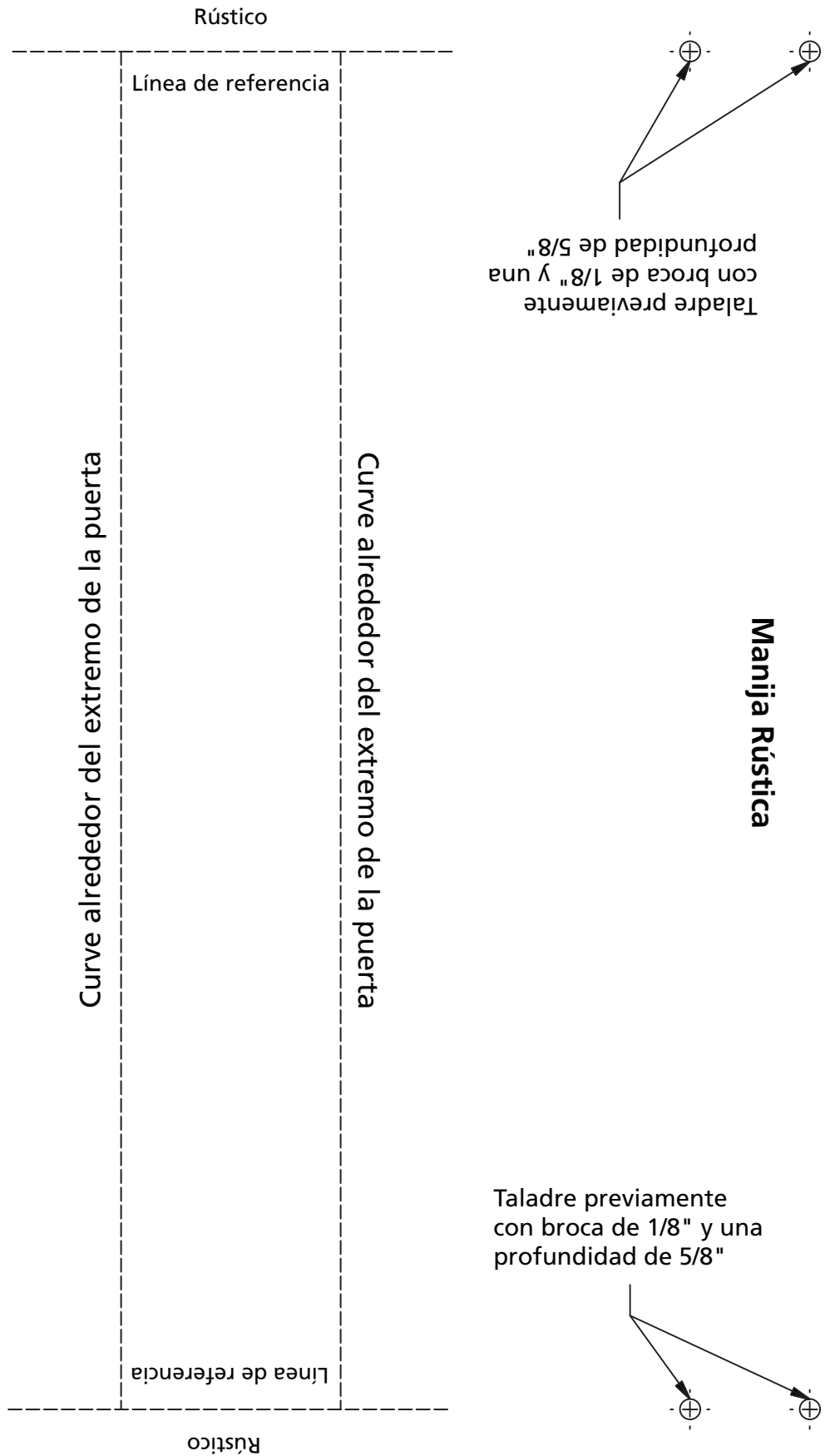


Figura 19. Instalación de puerta doble

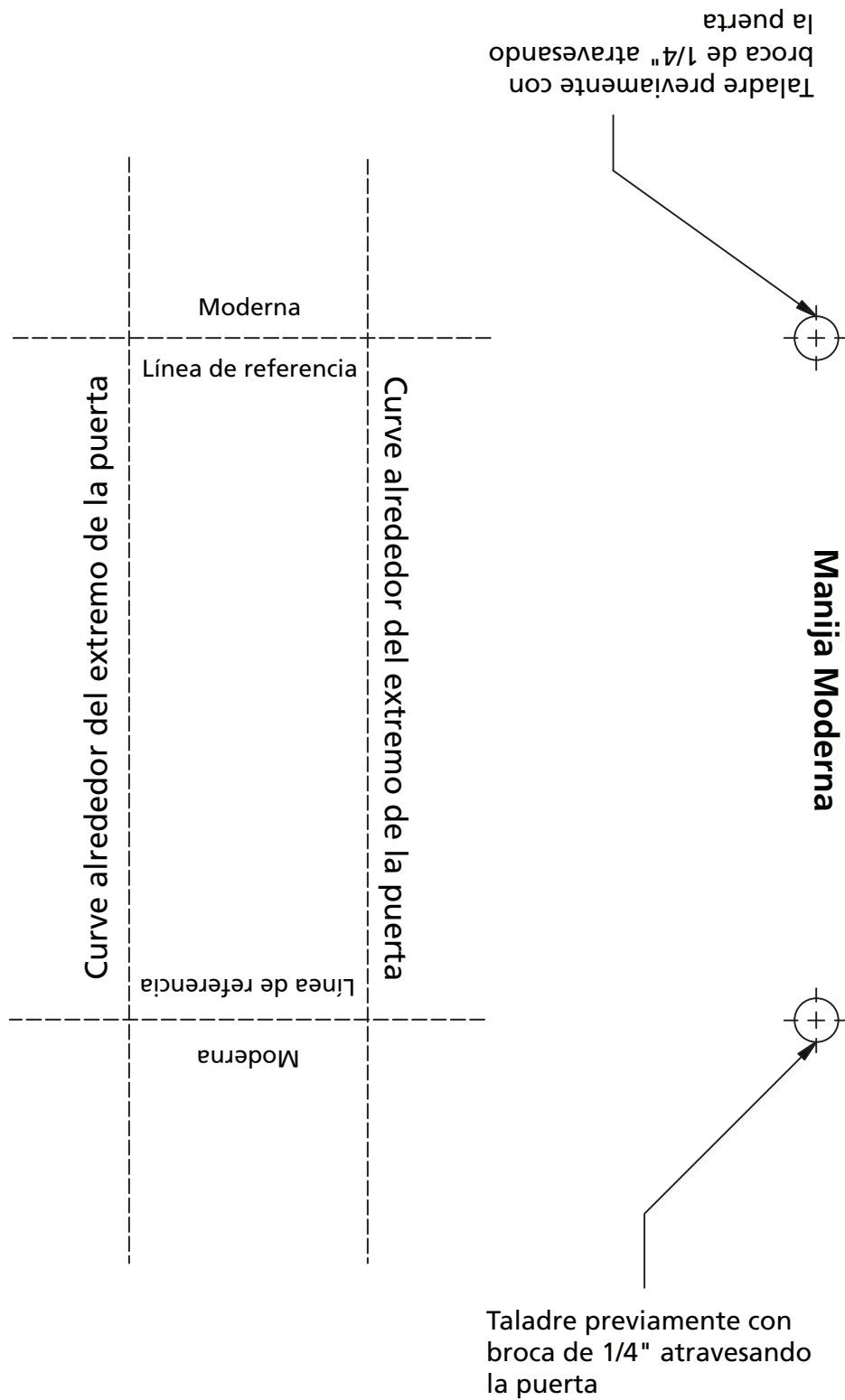
Dos kits de la misma clase se pueden utilizar en una aplicación de puerta doble.

Para usar dos carriles juntos, siga los pasos de la instalación anterior para cada carril, centrando los paneles de respaldo y los carriles dentro de la zona de pasaje.

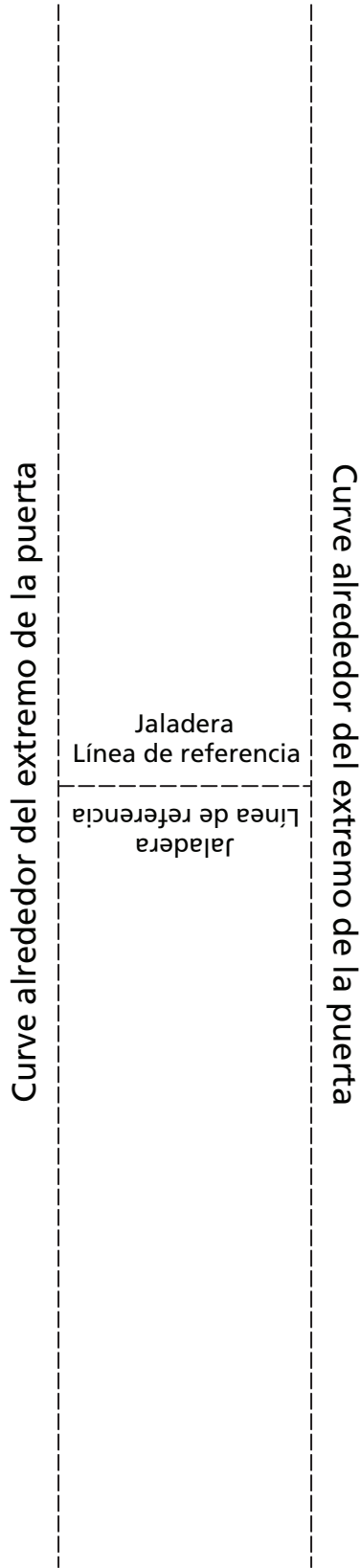
Patrón de taladro para la manija del kit rústico



Patrón de taladro para la manija del kit moderno



Patrón de taladro para la manija de dedo



Taladre previamente con
broca para madera de 3/4"
y una profundidad de 5/8"

