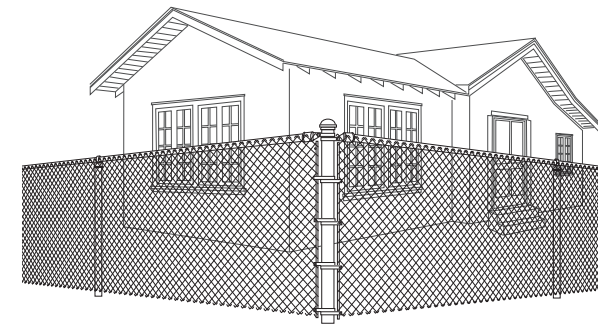




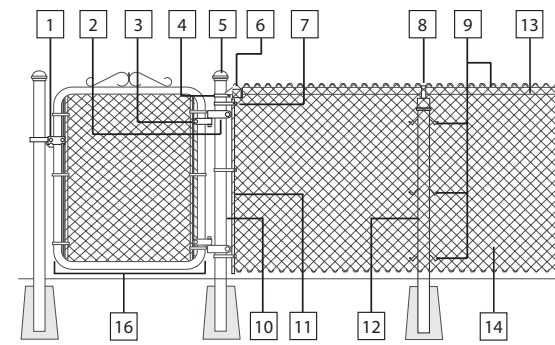
## DIY CHAIN LINK FENCE PLANNING AND PURCHASING



### A STEP-BY-STEP METHOD FOR INSTALLING YOUR OWN CHAIN LINK FENCE



#### PARTS LIST / FENCE COMPONENTS



- |                      |                   |                 |
|----------------------|-------------------|-----------------|
| 1. GATE FORK LATCH   | 6. RAIL END CUP   | 11. TENSION BAR |
| 2. GATE POST HINGE   | 7. TENSION BAND   | 12. LINE POST   |
| 3. GATE FRAME HINGE  | 8. LINE POST CAP  | 13. TOP RAIL    |
| 4. RAIL END BAND     | 9. TIE WIRE(S)    | 14. FABRIC      |
| 5. TERMINAL POST CAP | 10. TERMINAL POST | 16. WALK GATE   |

#### MATERIALS CHECKLIST

ITEM NAME	ITEM #	DESCRIPTION	✓
GATE FORK LATCH	92583	1 per Walk Gate 1 per Drive Gate	
GATE POST HINGE (w/bolt)	5557	2 per Walk Gate and 4 per Drive Gate	
GATE FRAME HINGE (w/bolt)	5512	2 per Walk Gate and 4 per Drive Gate	
RAIL END BAND	92179	1 per Tension Bar	
TERMINAL POST CAP	92186	1 per Terminal Post	
RAIL END CUP 1 3/8 in.	552266	1 per Tension Bar	
TENSION BAND	92176	1 less than height of fence per tension bar	
LINE POST CAP 1 5/8 in. X 1 3/8 in.	92188	1 per Line Post	
ALUMINUM CUT TIE WIRE	92165	1 per 12 in. of Line Post 1 per 24 in. of Top Rail	
TERMINAL POST 2 3/8 in. O.D.*	See chart	1 per Corner or End Post 2 per Gate	
TENSION BAR	See chart	1 per End or Gate Post 2 per Corner Post	
LINE POST 1 5/8 in. O.D.	See chart	Divide total footage of fence by 10 and round up.	
TOP RAIL 10ft.6in. X 1 3/8 in. O.D. SWEDGED	85193	Divide total footage of fence by 10 and round up.	
FABRIC - 50 PER ROLL	See chart	Divide total footage of fence by 50 and round up.	
5/16 in. X 1 1/4 in. CARRIAGE BOLT	92580	1 per Tension and Rail End Band	
WALK GATE	See chart	See items 1, 2, & 3 above for gate fittings requirements.	
DRIVE GATE	See chart	See items 1, 2, & 3 above for gate fittings requirements.	

\* Terminal posts are also referred to as Corner posts, End posts and Gate posts depending on their use.

#### ITEM #'S FOR SIZE-SPECIFIC COMPONENTS

DESCRIPTION	4 FT. FENCE	5 FT. FENCE	6 FT. FENCE
CHAIN LINK FABRIC	552272	552278	552281
TERMINAL POST	552277	552280	552283
LINE POST	552276	552279	552282
TENSION BAR	92173	92174	92175
WALK GATE	92189 or 85221	235	92591
DRIVE GATE	92146 or 92162	236	92592

#### TOOLS CHECKLIST

- |  |   |  |
|--|---|--|
| <input type="checkbox"/> CHALK                 | <input type="checkbox"/> PLIERS           | <input type="checkbox"/> STRING                    |
| <input type="checkbox"/> CONCRETE              | <input type="checkbox"/> POST DRIVER      | <input type="checkbox"/> TAPE MEASURE              |
| <input type="checkbox"/> FENCE STRETCHER       | (IF DRIVING POSTS)                        | <input type="checkbox"/> TROWEL                    |
| <input type="checkbox"/> HACKSAW OR PIPECUTTER | <input type="checkbox"/> POST HOLE DIGGER | <input type="checkbox"/> WHEELBARROW               |
| <input type="checkbox"/> HOE                   | <input type="checkbox"/> SHOVEL           | <input type="checkbox"/> 1/2 IN. & 3/16 IN. WRENCH |
| <input type="checkbox"/> LEVEL                 | <input type="checkbox"/> STAKES           | (OR CRESCENT WRENCH)                               |

#### LINE POST SPACING CHART

T = distance between terminal posts		L = distance between line posts			
T-L	T-L	T-L	T-L	T-L	T-L
30 ft. - 10 ft.	46 ft. - 9 ft. 2 in.	62 ft. - 8 ft. 10 in.	78 ft. - 9 ft. 9 in.	94 ft. - 9 ft. 5 in.	110 ft. - 10 ft.
31 ft. - 7 ft. 9 in.	47 ft. - 9 ft. 5 in.	63 ft. - 9 ft.	79 ft. - 9 ft. 10 in.	95 ft. - 9 ft. 6 in.	111 ft. - 9 ft. 3 in.
32 ft. - 8 ft.	48 ft. - 9 ft. 7 in.	64 ft. - 9 ft. 1 in.	80 ft. - 10 ft.	96 ft. - 9 ft. 7 in.	112 ft. - 9 ft. 4 in.
33 ft. - 8 ft. 3 in.	49 ft. - 9 ft. 9 in.	65 ft. - 9 ft. 3 in.	81 ft. - 9 ft.	97 ft. - 9 ft. 8 in.	113 ft. - 9 ft. 5 in.
34 ft. - 8 ft. 6 in.	50 ft. - 10 ft.	66 ft. - 9 ft. 5 in.	82 ft. - 9 ft. 1 in.	98 ft. - 9 ft. 9 in.	114 ft. - 9 ft. 6 in.
35 ft. - 8 ft. 9 in.	51 ft. - 8 ft. 6 in.	67 ft. - 9 ft. 7 in.	83 ft. - 9 ft. 3 in.	99 ft. - 9 ft. 10 in.	115 ft. - 9 ft. 7 in.
36 ft. - 9 ft.	52 ft. - 8 ft. 8 in.	68 ft. - 9 ft. 8 in.	84 ft. - 9 ft. 4 in.	100 ft. - 10 ft.	116 ft. - 9 ft. 8 in.
37 ft. - 9 ft. 3 in.	53 ft. - 8 ft. 10 in.	69 ft. - 9 ft. 10 in.	85 ft. - 9 ft. 6 in.	101 ft. - 9 ft. 2 in.	117 ft. - 9 ft. 9 in.
38 ft. - 9 ft. 6 in.	54 ft. - 9 ft.	70 ft. - 10 ft.	86 ft. - 9 ft. 7 in.	102 ft. - 9 ft. 3 in.	118 ft. - 9 ft. 10 in.
39 ft. - 9 ft. 9 in.	55 ft. - 9 ft. 2 in.	71 ft. - 8 ft. 9 in.	87 ft. - 9 ft. 8 in.	103 ft. - 9 ft. 4 in.	119 ft. - 9 ft. 10 in.
40 ft. - 10 ft.	56 ft. - 9 ft. 4 in.	72 ft. - 9 ft.	88 ft. - 9 ft. 9 in.	104 ft. - 9 ft. 5 in.	120 ft. - 10 ft.
41 ft. - 8 ft. 2 in.	57 ft. - 9 ft. 6 in.	73 ft. - 9 ft. 2 in.	89 ft. - 9 ft. 10 in.	105 ft. - 9 ft. 6 in.	121 ft. - 9 ft. 3 in.
42 ft. - 8 ft. 5 in.	58 ft. - 9 ft. 8 in.	74 ft. - 9 ft. 3 in.	90 ft. - 10 ft.	106 ft. - 9 ft. 7 in.	122 ft. - 9 ft. 4 in.
43 ft. - 8 ft. 6 in.	59 ft. - 9 ft. 10 in.	75 ft. - 9 ft. 4 in.	91 ft. - 9 ft. 1 in.	107 ft. - 9 ft. 8 in.	123 ft. - 9 ft. 5 in.
44 ft. - 8 ft. 9 in.	60 ft. - 10 ft.	76 ft. - 9 ft. 6 in.	92 ft. - 9 ft. 2 in.	108 ft. - 9 ft. 9 in.	124 ft. - 9 ft. 6 in.
45 ft. - 9 ft.	61 ft. - 9 ft. 8 in.	77 ft. - 9 ft. 7 in.	93 ft. - 9 ft. 4 in.	109 ft. - 9 ft. 10 in.	125 ft. - 9 ft. 7 in.

#### PLAN YOUR FENCE BELOW

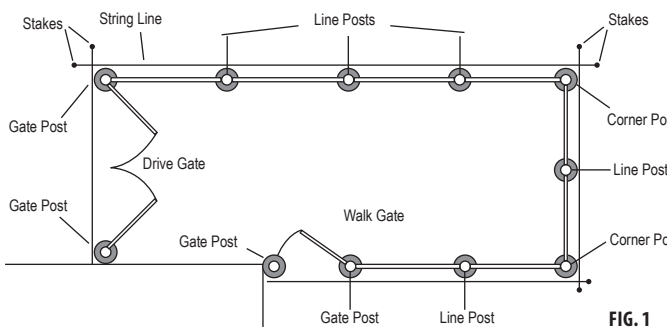
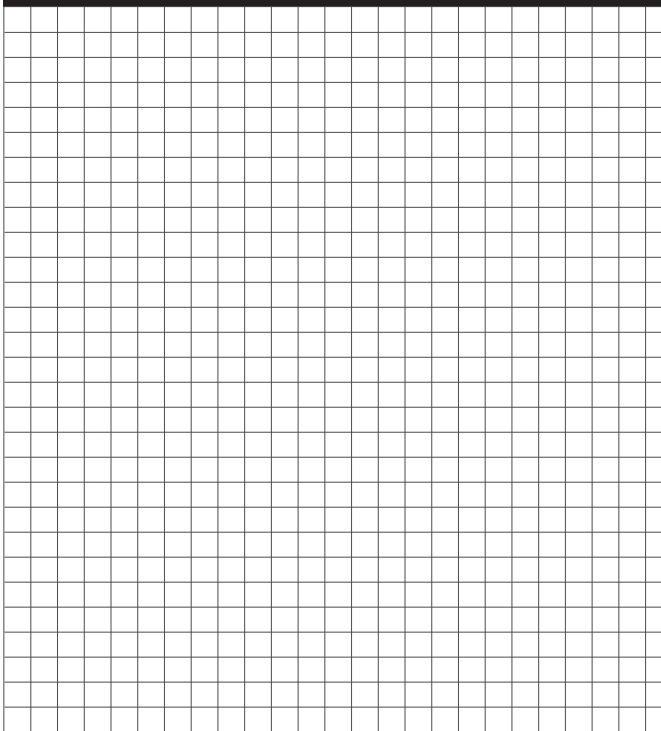


FIG. 1

#### DETERMINE FENCE LAYOUT

Determine property line and fence layout as illustrated. (FIG. 1) Starting 4 in. inside the property lines to avoid encroaching on adjacent property, drive in stakes to establish the fence layout. Run a string around the stakes to mark your fence line and measure to determine quantity of chain link fabric and components required.

**CALL BEFORE YOU DIG:**  
Contact local utility companies or call 811 to confirm the location of underground cables or pipelines.

#### LOCATE TERMINAL POSTS

Mark the location of each terminal post (corner, end and gate posts are called terminal posts) with a stake. Note: Set Gate Posts to exact dimensions of standard gates below. All gate hardware has been included in measurements for gate openings.

Standard Gate Opening Widths  
Walk Gate: 39 in., 42 in., or 48 in.  
Drive Gate: 10 ft. or 12 ft.

#### #1 DIG & SET TERMINAL POSTS

**Step 1**  
Dig holes for terminal posts (corner, end and gate) at the marked locations. With chalk, mark the grade (ground line) on the terminal posts. Measuring from the top down, add 2 in. to the height of the fence fabric and mark post. (Height of fence + 2 in. = grade mark).

**Step 2**  
Mix concrete per manufacturer's specifications.

Caution: Too much water can weaken concrete and may cause cracking.

**Step 3**  
Place posts in holes and fill with concrete, completely surrounding the posts. Use a level to ensure posts are plumb. Use a trowel to crown the top of footer for drainage.

**Step 4**  
Look down the fence line to ensure the posts are straight. Adjust alignment as necessary. (FIG. 2)

Note: For exact diameter and depth of terminal posts, consider climate and local soil conditions. Maximize footer size on gate posts.

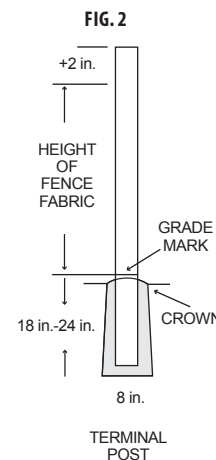


FIG. 2

#### #2 DIG & SET LINE POSTS

**Step 1**  
Remove the string from the stakes and tie it around the terminal posts, keeping the string on the outside of the post and 4 in. below the top of the post. Be sure the concrete has hardened enough so that the posts remain plumb. (FIG. 3)

FIG. 3  
STRING LINE = 4 in. FROM TOP OF TERMINAL POSTS

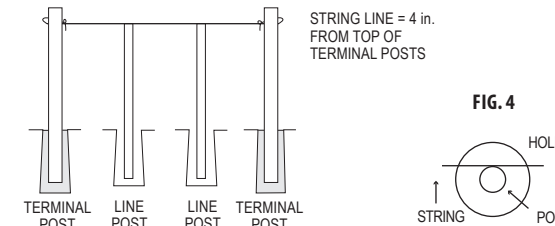
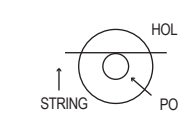


FIG. 4



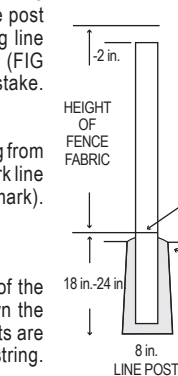
**Step 2**  
Measure the distance between terminal posts. Using the line post spacing chart, determine the location of each line post. If setting posts in concrete, mark and dig the line post holes. Make sure the hole is off-centered on the string line so that 2/3 of the hole is on the inside of the string. (FIG. 4) If driving line posts, mark post location with a stake.

**Step 3**  
Mark the grade (ground line) on the line posts. Measuring from the top down, subtract 2 in. from the fabric height and mark line posts with chalk. (Height of fence fabric - 2 in. = grade mark). (FIG. 5)

**Step 4**  
If setting posts, place posts in the hole on the inside of the string line and fill with concrete. Use a trowel to crown the footer for drainage. Check with level to ensure the posts are plumb, keeping the top of the line post even with the string. (FIG. 3) Caution: Grade line must never be buried.

Note: If not setting posts, drive posts into ground at marked locations. Look down fence line to ensure the posts are in alignment (straight), adjust as required.

FIG. 5



#### #3 MOUNT FITTINGS TO TERMINAL POSTS

**Step 1**  
Remove string. After concrete has hardened, slip tension and rail end bands on terminal posts.

**Step 2**  
The tension bands (flat side out) should be spaced evenly. Do not spread or distort bands. All bolt heads for tension bands are on the outside of fence and the threaded ends are on the inside.

**Step 3**  
Next, install terminal post caps. (FIG. 6)

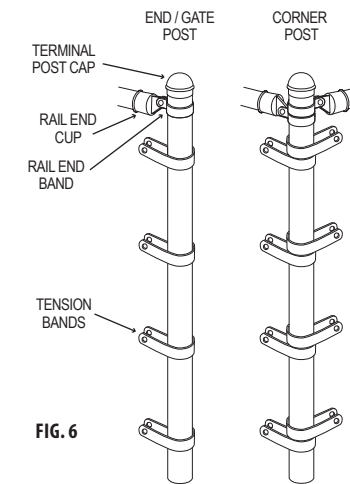
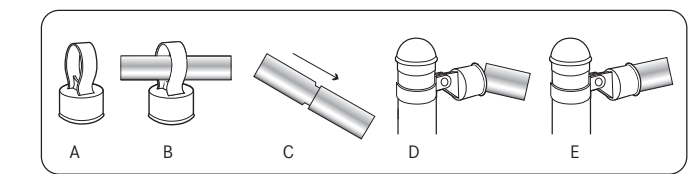


FIG. 6

#### #4 INSTALL TOP RAIL

Install the line post caps (A & B). They are set with the flat side toward the outside of the fence. The end of the top rail fits into the rail end cup attached to the terminal post (E). Join the top rail together by sliding the small ends into the large ends (C). Go to next terminal post, measure carefully and cut top rail to fit. Then, with rail end turned up at a 45 degree angle, place top rail into rail end cup (D) and snap down for a snug fit.

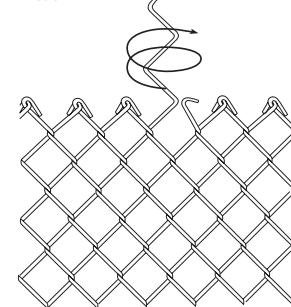
FIG. 7



#### #5 HANG FENCE FABRIC

After assembling framework, unroll fabric along fence line starting at a terminal post. If more or less fabric is needed, an additional amount can be added or removed as shown (FIG. 8). Fabric should be on outside of all posts with edge at top and loosely attached to the top rail by tie wires. Slide tension bar through the diamonds at the end of the fabric and attach to terminal post using tension bands with nuts and bolts.

FIG. 8



**To REMOVE fabric:** Unbend the top & bottom ends of wire at the desired location. Twist this wire in a corkscrew fashion until it comes completely apart.

**To ADD fabric:** Remove end wire from one end of fabric (FIG. 8), then fasten both sets together with the wire you just removed by using the same corkscrew method in reverse.

Note: You may need to remove a 2nd wire on the same end to attach the 2 sections.

#### #6 STRETCH FENCE FABRIC

**Step 1**  
Fence fabric should be stretched from the terminal post already attached, toward the opposite terminal post. Insert tension bar approximately 5ft. from the terminal post and attach fence stretcher to bar. (FIG. 9)

**Step 2**  
As you stretch the fabric, test it for tension (it is stretched enough when it gives slightly). After fence fabric is sufficiently tight, remove the excess fabric. (FIG. 8) Insert a tension bar and connect to the post with tension bands and nuts & bolts. Then fasten the fabric with tie wires, spaced approximately 12 in. apart on line posts and 24 in. apart on top rail. (FIG. 10) Proceed to tighten all nuts & bolts.

FIG. 9

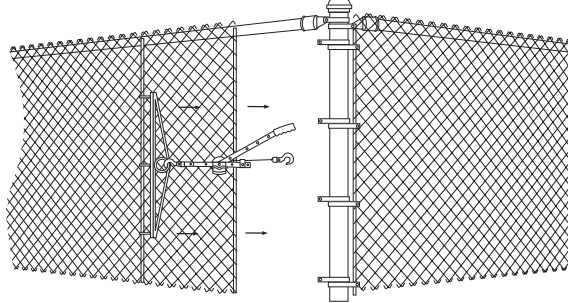


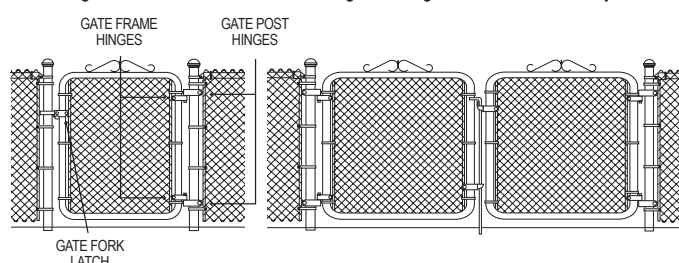
FIG. 10

#### #7 HANG GATES

**Step 1**  
Apply gate post hinges to desired gate post. To prevent gate from being removed, the bottom hinge pin should point up and the top hinge pin should point down. Loosely tighten bolts.

**Step 2**  
Apply gate frame hinges to gate frame. Loosely tighten bolts. Hang gate in place at least 2 in. from the ground to ensure adequate ground clearance. Tighten bottom bolts, then adjust and tighten top bolts.

**Step 3**  
Position gate fork latch at convenient height and tighten all bolts securely.



Additional items available by special order.

© 2011 by Merchants Metals, All rights reserved. Lowe's, the gable design, and Let's Build Something Together are trademarks of LF, LLC; all are used with permission.