



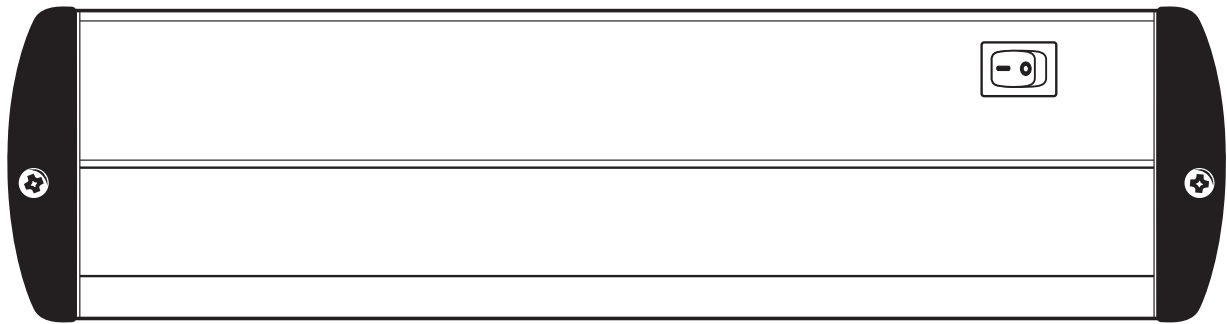
ITEM #0774383, 0774384, 0774385

LED CONVERTIBLE UNDER CABINET BAR

MODEL #UC1051-AL3-14LF0-U,
UC1051-AL3-22LF0-U,
UC1051-AL3-30LF0-U

Français p. 8

Español p. 15



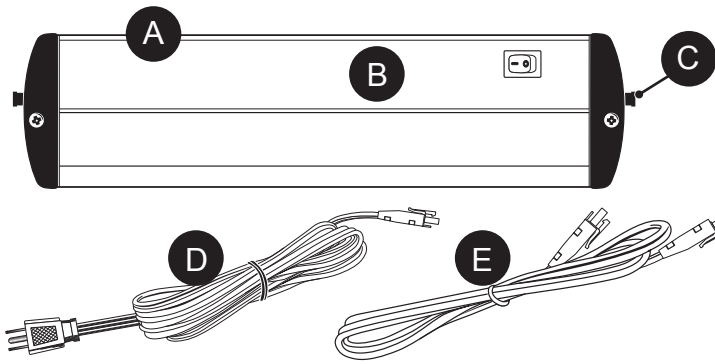
ATTACH YOUR RECEIPT HERE

Serial Number: _____ Purchase Date: _____



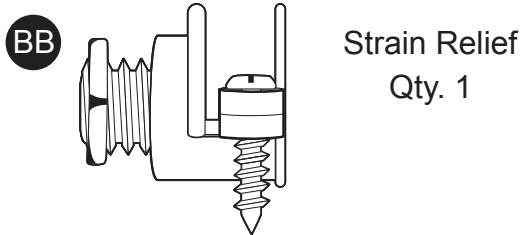
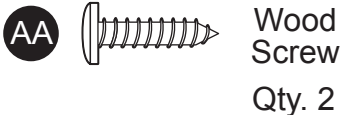
Questions, problems, missing parts? Contact the customer service department at 1-866-994-4148, 8 a.m. - 6 p.m., EST, Monday - Thursday, 8 a.m. - 5 p.m., EST, Friday.

PACKAGE CONTENTS



PART	DESCRIPTION	QUANTITY
A	Fixture	1
B	Wire Compartment Cover	1
C	Locking Tab	2
D	Power Cord	1
E	Linking Cord	1

HARDWARE CONTENTS (shown actual size)



! SAFETY INFORMATION

WARNING

- Please read and understand this entire manual before attempting to assemble, operate or install the product.

CAUTION

- **This fixture is dimmable with a forward phase electronic dimmer.** Dimmers tested to be compatible with this fixture are the Lutron: Diva® C•L™: DVWCL-153P or DVCL-153P, Lumea® C•L™: LGCL-153P, and Toggler® C•L™: TGCL-153P8. If unfamiliar with electrical installations, it is recommended a qualified electrician do the installation.
- This device complies with Part 15 of the FCC rules. Operation is subject to the following two conditions: (1) This device may not cause harmful interference, and (2) this device must accept any interference received, including interference that may cause undesired operation.

! IMPORTANT SAFETY INSTRUCTIONS

This unit has a grounded plug as a safety feature. This plug will fit in a grounded outlet only one way. If it still does not fit, contact a qualified electrician. Never use with an extension cord unless the plug can be fully inserted. Do NOT attempt to override this feature.

WARNING: To reduce the risk of FIRE, ELECTRIC SHOCK, OR INJURY TO PERSONS:

1. For **INDOOR USE ONLY**.
2. Not intended for installation in plastic cabinets.
3. The mounting surface should be flat and sturdy enough to support the fixture.
4. Do **NOT** mount the fixture to cabinets having a material thickness less than 1/4 in.
5. Not intended for recessed installation in ceilings or soffits.
6. Do **NOT** use in wet locations.
7. Do **NOT** use for illumination of aquariums.
8. Do **NOT** mount over sinks or stoves.
9. Do **NOT** touch, operate, or install fixture while in contact with water.
10. Do not remove the protective LED lens or touch the LEDs at any time.
11. Use a soft cloth to clean the diffuser and/or fixture.

PLUG-IN/LINKING SAFETY INFORMATION:

12. Do **NOT** attempt to install while plugged in.
13. Use only insulated staples or plastic ties to secure the power or linking cords.
14. The National Electrical Code (NEC) does not permit cords to be concealed where damage to insulation may go unnoticed. To prevent fire danger, do not run cord behind walls, ceilings, soffits, cabinets, or similar permanent structures where it may be inaccessible for examination. Cords should be visually examined periodically and immediately replaced when any damage is noted.

SAFETY INFORMATION

15. Do not use an extension cord. Use power strip with integral overcurrent protection to supply power to the fixture.
16. The total wattage of ALL the fixtures linked together in one chain should NOT exceed 360 watts. Exceeding the total wattage will result in a hazardous situation. Fixture wattage can be found on back of fixture.

IMPORTANT: These LED light heads use light emitting diodes to provide light. LEDs are electronic semiconductors and do not have a filament that can burn out like an ordinary light bulb. As such, the LED light heads can last up to 50,000 hours when used intermittently, and therefore, never need replacing.

SAVE THESE INSTRUCTIONS IN A LOCATION CLOSE TO THE LIGHT FIXTURE TO REFER TO THEM AT A LATER TIME. Before installation, plug in fixture to a 120 V, 60 Hz electrical outlet to check for proper operation. Then, unplug and begin the installation.

PREPARATION

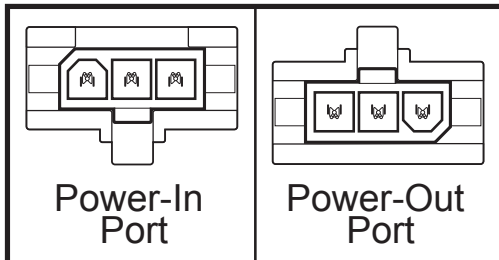
Before beginning assembly of product, make sure all parts are present. Compare parts with package contents list and hardware contents list. If any part is missing or damaged, do not attempt to assemble the product.

Estimated Assembly Time: 25 minutes

Tools required for assembly (not included): Phillips screwdriver, flathead screwdriver, pliers.

MOUNTING OPTIONS

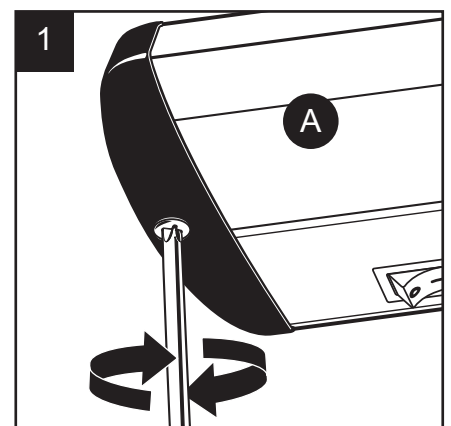
There are two methods to mount the fixture to a cabinet. The first is the **EASY MOUNTING INSTALLATION** method that uses the pre-installed screws located at both ends of the fixture. The second is the **TRADITIONAL MOUNTING INSTALLATION** method, which utilizes the keyhole slots located on the backside of the fixture.



Before mounting, find a suitable location to mount the fixture that will reach the power supply (within 5 feet) or to reach adjoining fixture (within 18 inches). The fixture has two power ports located at each end of the fixture. The "Power-In" port is located on the end next to the on/off switch and is used to connect the fixture to a power supply. The "Power-Out" port is located at the opposite end and is used to link power to additional fixtures connected together.

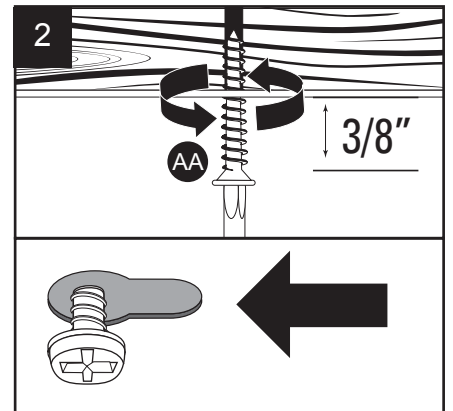
EASY MOUNTING INSTALLATION

1. The fixture (**A**) can be mounted without utilizing pilot holes. Firmly hold the fixture against the mounting surface and begin turning the mounting screws until they are fully driven in and the fixture is firmly attached to the mounting surface. **NOTE: DO NOT** overtighten the screws, as it may result in damage to the fixture or the mounting surface. **Direct Wire Installation Only:** Determine the fixture location, but do not mount until the wiring steps are completed.



TRADITIONAL MOUNTING INSTALLATION

1. Locate the mounting keyhole slots on the back of the fixture. Measure the center-to-center distance to determine the distance the wood screws need to be installed. Measure and mark the corresponding placement on the mounting surface. **NOTE:** The wire compartment cover can be opened on the fixture and trace the perimeter of keyhole slots.
2. Use a nail or awl to dimple the surface to help guide the wood screws (AA). Either drive the screws directly into the surface or drill two 1/16 in. pilot holes to make installing the screws easier. The screws must be driven in straight. Tighten until 3/8 in. of the screws are protruding below the surface. Place the large end of the keyhole slots over the screw and slide until the screws are engaged in the narrow ends of the slots. If the fixture is loose, remove it and incrementally tighten until the fixture is secure. **Direct Wire Installation Only:** Do not complete mounting installation until the wiring steps are completed.

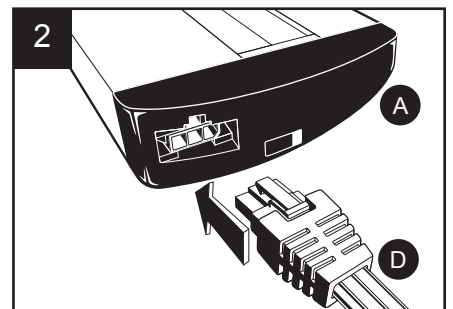
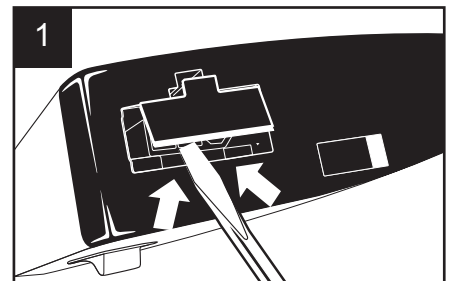


Hardware Used

AA Wood Screw  x 2

PLUG-IN INSTRUCTIONS

1. Using a flathead screwdriver (not included), carefully pry off the plastic cap that covers the "Power-In" port on the end of the fixture.
2. **WARNING:** DO NOT plug the power cord into the power supply before completing the installation. The power cord (D) has a grounded plug at one end and a connector plug at the other end. **FIRST:** Insert the connector plug into the power port located near the on/off switch at the end of the fixture (A). The cord connector plug will ONLY fit into this power port. When fully inserted, the catch on the top of the connector plug will click into the power port. **SECOND:** Plug in the power cord into an outlet. Installation is complete.



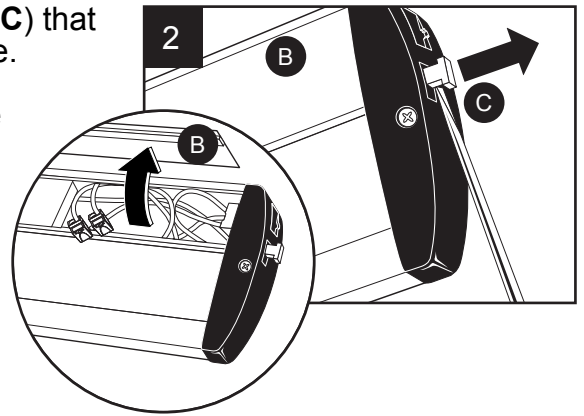
DIRECT WIRE INSTALLATION

1. Disconnect power to the electrical box and remove the old fixture. If more than two wire leads are present, keep track of which wires were connected together. **WARNING: DISCARD THE POWER CORD** to avoid a dangerous situation.

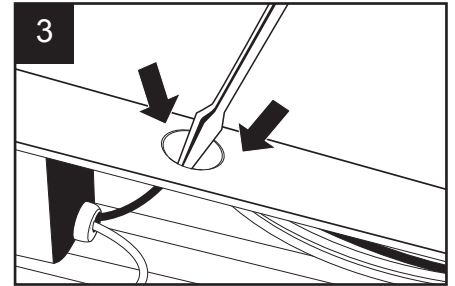
Locate the fixture position and drill pilot holes at this time for direct wire installation.

DIRECT WIRE INSTALLATION

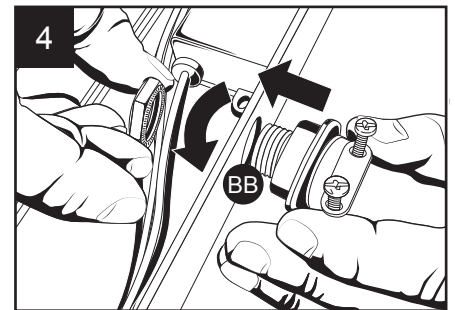
2. Located on each side of the fixture are two locking tabs (**C**) that lock the cover to the wire compartment cover (**B**) in place. Disengage each tab by carefully prying them out with a flathead screwdriver (not included) far enough to remove the cover to expose the wire connections and keyhole slots inside. **DO NOT** try to remove tabs from the fixture.



3. Determine which corresponding knock-out is closest to the supply wire feed and remove it. **CAREFULLY REMOVE THE KNOCK-OUT BY HAMMERING A FLATHEAD SCREWDRIVER OR PUNCH UNTIL THE SURFACE BREAKS.** If the knock-out did not break free, use pliers (not included) and bend it back and forth until it snaps off.



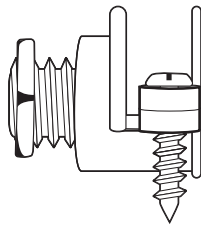
4. Attach the supplied strain relief (**BB**) by inserting the threaded end (from outside the fixture) through the knock-out. Secure the strain relief (**BB**) to the fixture's chassis by tightening the fastener (from inside the fixture). **NOTE:** Remember to have the strain relief screws oriented in a manner that allows tightening/loosening of the clamp screws after the fixture has been attached to the mounting surface.



Hardware Used

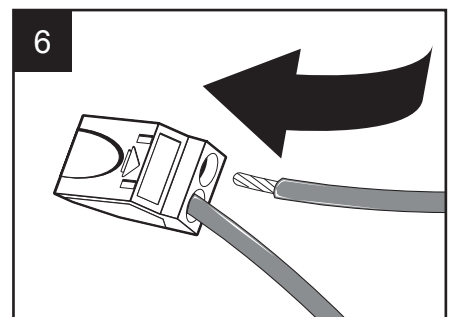
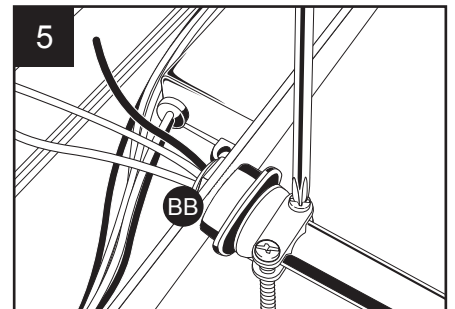
BB

Strain Relief



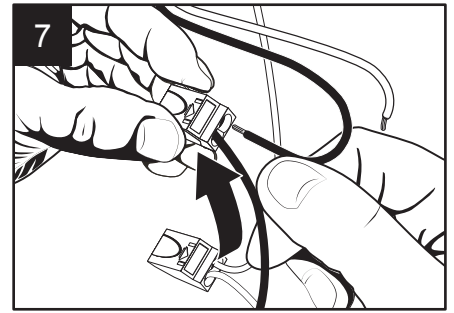
x 1

5. Insert the flexible whip or NM cable through the strain relief (**BB**) and tighten the clamp until it is secure. Allow enough wire length to make the connection.
6. For safe and proper operation, the fixture must be properly grounded. If unfamiliar with the methods of properly grounding the fixture, consult a qualified electrician. A green ground wire is pre-attached inside to wire compartment of the fixture and has a push-in wire connector on the end. The flexible whip or strain relief will have either a green or copper ground wire bundled with the supply wires. Insert the end of that ground wire into the open hole in the push-in connector. If unsure whether or not the electrical system is properly grounded, or the flexible whip or NM cable is connected to an electrical box that is plastic and has no ground wire, or are unfamiliar with the methods of properly grounding the fixture, consult a qualified electrician.

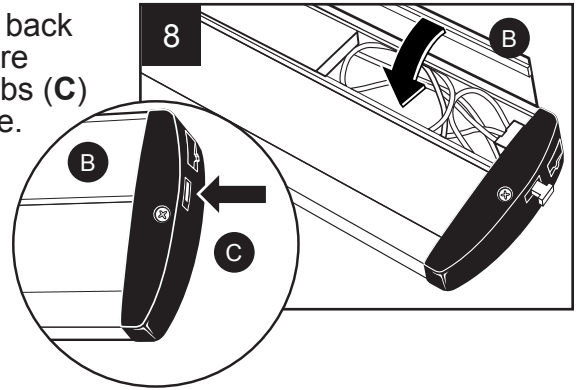


DIRECT WIRE INSTALLATION

7. Connect the supply leads from flexible whip or NM cable to the fixture leads using the pre-installed push-in connectors as per the illustration. Insert the black supply lead into the open hole in the push-in connector pre-attached to the black fixture wire. Insert the white supply lead into the open hole in the push-in connector pre-attached to the white fixture wire. All wire connections should be made and stowed inside wire compartment of the fixture. Carefully push all the wires into the wire compartment.



8. Re-attach the wire compartment cover (B) by hinging the back edge of the cover with the channel in the back of the fixture chassis and lowering it into position. Push both locking tabs (C) inward to lock the wire compartment cover back into place.



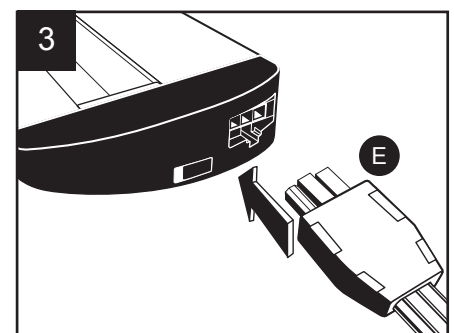
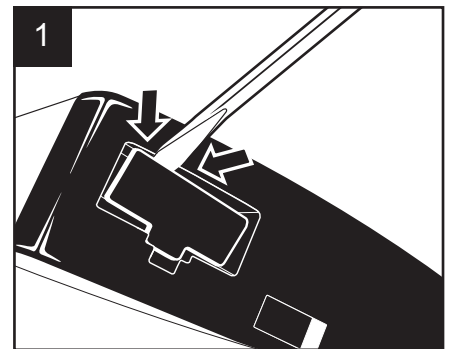
9. Mount to predetermined location. Restore power to fixture.

LINKING INSTRUCTIONS

The first fixture is now fully installed and powered. It is now possible to link additional fixtures to this first unit. An 18 inch linking cord (E) has been provided with each fixture. Ensure that the distance between additional fixtures does not exceed the length of the connector cord (18 inches).

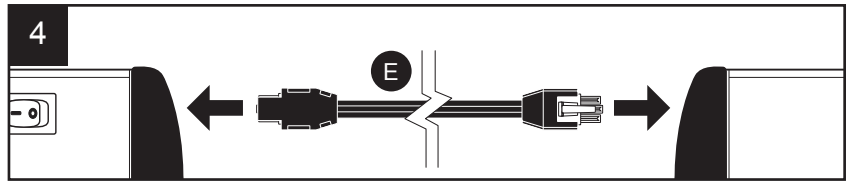
Shut off the power to the first fixture, either direct wired or plugged-in to house electrical system, prior to installing the linking cord.

1. Using a flathead screwdriver, carefully pry off the plastic cover that protects the "Power-In" port on the fixture being added. Carefully pry off the plastic cover that protects the "Power-Out" port on the the fixture it is being linked to.
2. Using the same mounting installation method used on the previous fixture, mount the fixture being linked.
3. **NOTE:** The linking cord (E) is fitted with a distinct connector plug at each end. The cord can only connect one way. Try inserting one end of the linking cord into the "Power-Out" port on the fixture installed ahead of the this one. If that fails, try the other end. **DO NOT** force the plugs into either port. When correctly inserted, the plug will insert smoothly and the catch on top of the connector plug will click and lock into place.



LINKING INSTRUCTIONS

4. Insert the opposite end of the linking cord into the "Power-In" port of the additional unit. **NOTE:** Each light can be individually operated by the on/off switch located on each fixture.



5. Restore power to the powered unit.

CARE AND MAINTENANCE

Periodically clean the fixture using a mild, non-abrasive glass cleaner and soft cloth. Do NOT use solvents or cleaners containing abrasive agents. When cleaning the fixture, make sure the power is turned off. Do not spray liquid cleaner directly onto the LEDs, fixture, diffuser, or wiring.

TROUBLESHOOTING

Minor problems often can be fixed without the help of an electrician. Before doing any work on the fixture, shut off power supply at the circuit breaker panel to avoid electrical shock.

PROBLEM	POSSIBLE CAUSE	CORRECTIVE ACTION
Fixture doesn't light.	<ol style="list-style-type: none"> 1. Power is off. 2. Bad plug connection. 3. Bad switch. 	<ol style="list-style-type: none"> 1. Check if power supply is on. 2. Check power cord. 3. Test or replace switch.
Fuse blows or circuit breaker trips when light is turned on.	<ol style="list-style-type: none"> 1. Discontinue use. 	<ol style="list-style-type: none"> 1. Call customer service.

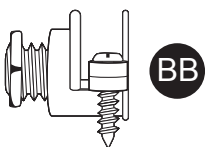
WARRANTY

The manufacturer warrants this lighting fixture to be free from defects in materials and workmanship for a period of (5) years from the date of original purchase by the consumer. The fixture is not warranted for use in a commercial or retail application. The warranty is limited to use in a residential environment. We will repair or replace (at our option) the unit in the original color, and style if available, or in a similar color and style if the original item has been discontinued, without charge. Defective units must be properly packed and returned to the manufacturer with a letter of explanation and your original purchase receipt showing date of purchase. **Call 1-866-994-4148** to obtain a Return Authorization number and an address where to ship your defective product. Note: C.O.D. shipments will NOT be accepted. The liability of the manufacturer is in any case limited to replacement of the defective light fixture product. The manufacturer will not be liable for any other loss, damage, labor costs or injury which is caused by the product. This limitation upon the liability of the manufacturer includes any loss, damage, or injury which is (I) to person or property or otherwise; (II) incidental or consequential in nature; (III) based upon theories of warranty, contract, negligence, strict liability, tort, or otherwise; or (IV) directly, or indirectly related to the sale, use, or repair of the product. This warranty gives you specific rights, and you may also have other rights which vary from state to state.

REPLACEMENT PARTS LIST

For replacement parts, call our customer service department at 1-866-994-4148, 8 a.m. - 6 p.m., EST, Monday - Thursday, 8 a.m. - 5 p.m., EST, Friday.

PART	DESCRIPTION	PART #
BB	Strain Relief	ZH-UC1051F



Printed in China

Utilitech & UT Design® and Grounded in Quality® are registered trademarks of LF, LLC. All Rights Reserved. Other identified trademarks are registered by their respective owners.