



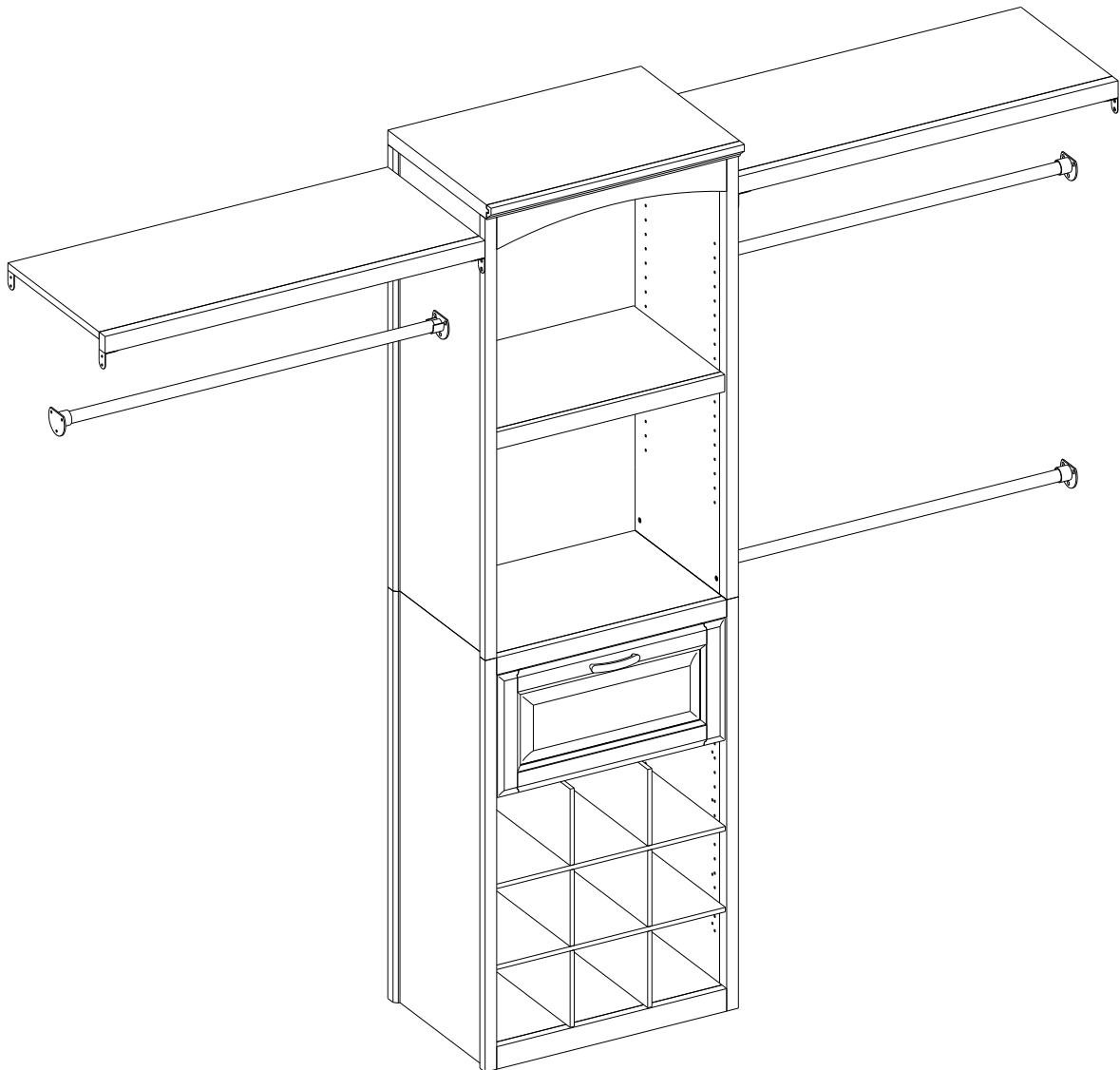
ITEM #0339203, #0339204, #0339205, #0339206

# COMPLETE CLOSET KIT

MODEL #WSWS-CS1C, #WSWS-CS1W  
#WSWS-CS1P, #WSWS-CS1S

Français p. 24

Español p. 47



**ATTACH YOUR RECEIPT HERE**

Serial Number \_\_\_\_\_

Purchase Date \_\_\_\_\_



**Questions, problems, missing parts?** Before returning to your retailer, call our customer service department at 1-866-439-9800, 8 a.m. - 8 p.m., EST, Monday - Friday.

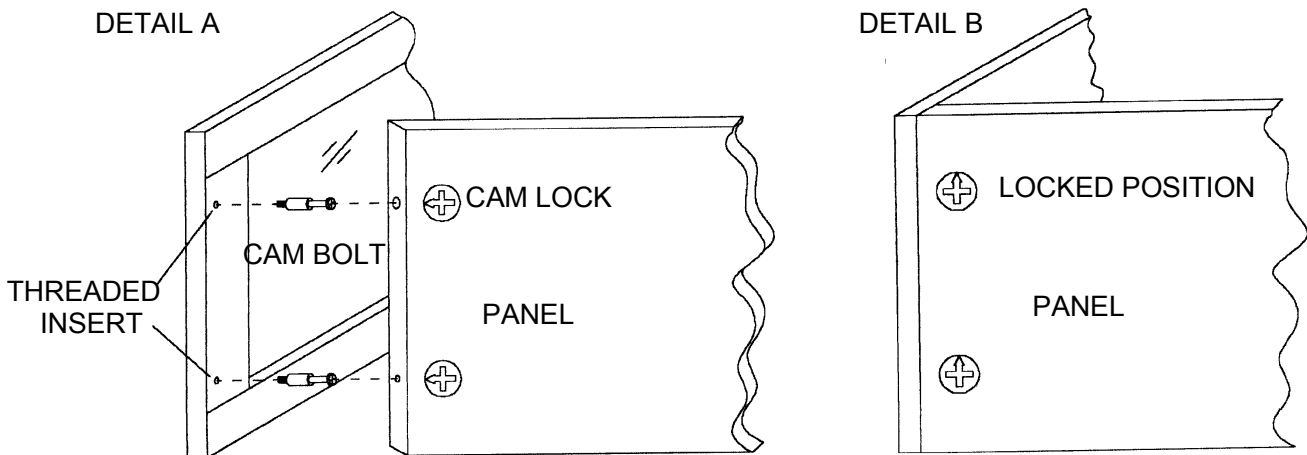
## TABLE OF CONTENTS

---

Cam Lock System Operation.....	2
Package Contents.....	3
Hardware Contents .....	4
Safety Information .....	6
Preparation.....	6
Assembly Instructions .....	7
Care and Maintenance .....	20
Troubleshooting .....	20
Warranty .....	21
Replacement Parts List .....	21

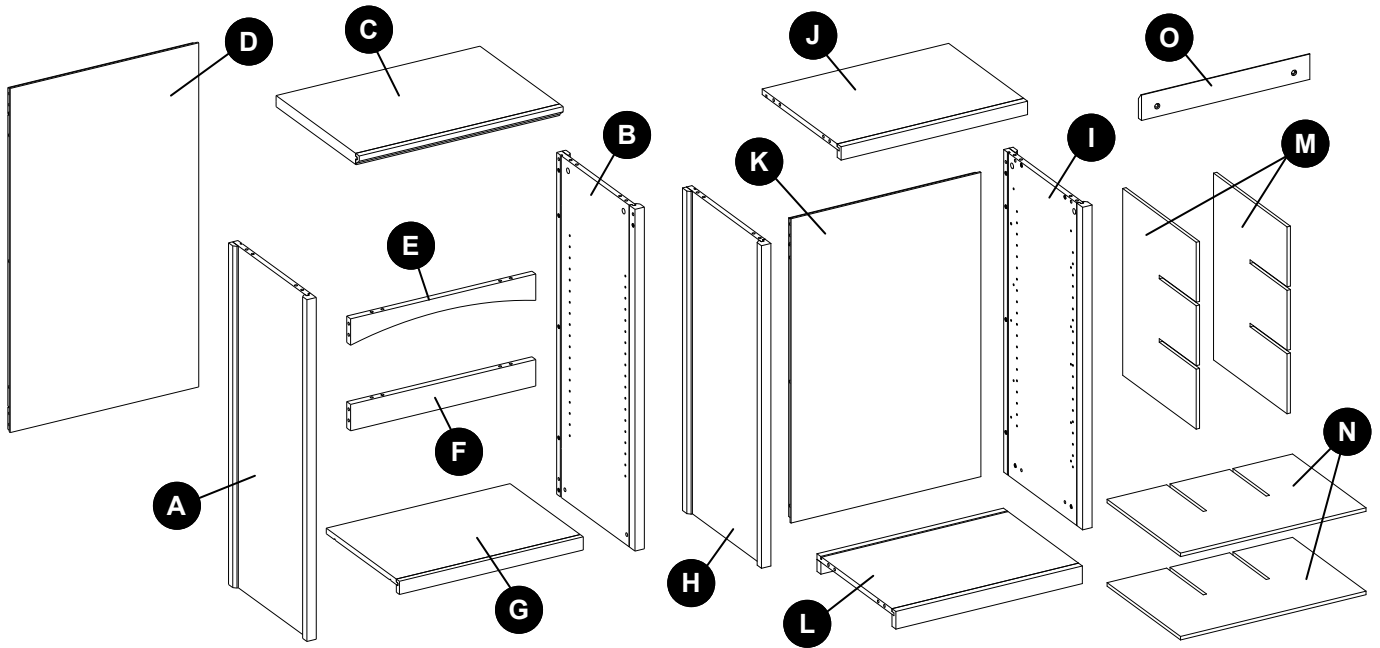
## CAM LOCK SYSTEM OPERATION

---



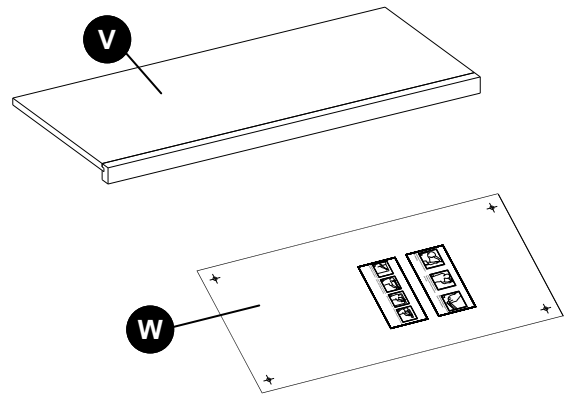
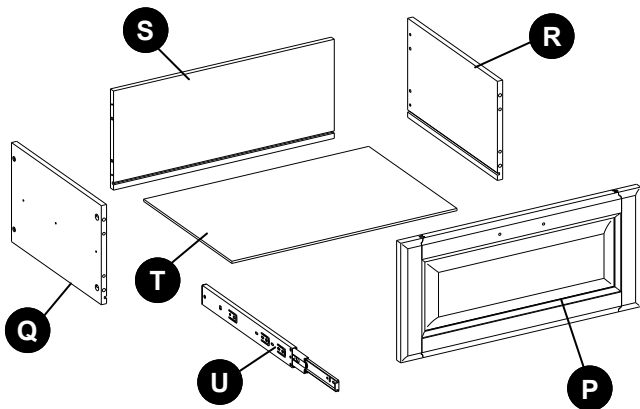
1. Screw cam bolt into the predrilled small holes on panel.
2. Insert cam lock into predrilled large hole on panel.
3. Make sure the arrow on the cam lock is pointed toward the cam bolt.
4. Connect both panels together, making sure cam bolt goes into predrilled hole on the end of panel with cam lock.
5. Once cam bolt is connected inside cam lock, take Phillips screwdriver and tighten cam lock clockwise.

# PACKAGE CONTENTS



PART	DESCRIPTION	QUANTITY
A	Hutch Panel Left	1
B	Hutch Panel Right	1
C	Hutch Panel Top	1
D	Hutch Panel Back	1
E	Front Curved Stretcher	1
F	Front Straight Stretcher	1
G	Adjustable Shelf	1

PART	DESCRIPTION	QUANTITY
H	Base Panel Left	1
I	Base Panel Right	1
J	Base Panel Top	1
K	Base Panel Back	1
L	Base Panel Bottom	1
M	Partition Panel	2
N	Shoe Shelf	2
O	Wall Hanging Cleat	2



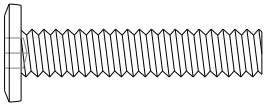
PART	DESCRIPTION	QUANTITY
P	Drawer Front	1
Q	Drawer Panel Left	1
R	Drawer Panel Right	1
S	Drawer Back	1
T	Drawer Bottom	1
U	Self Closing Slides	2

PART	DESCRIPTION	QUANTITY
V	Long Shelf	2
W	Installation Template	1

# HARDWARE CONTENTS

---

**AA**



1/4 x 1-1/4 in.  
Bolt

Qty. 12

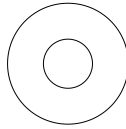
**BB**



Lock  
Washer

Qty. 12

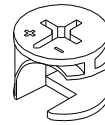
**CC**



Flat  
Washer

Qty. 12

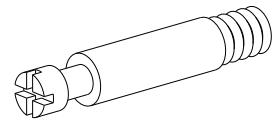
**DD**



Large  
Cam Lock

Qty. 34

**EE**



Medium  
Cam Bolt

Qty. 30

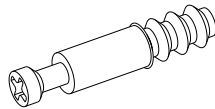
**FF**



Small  
Cam Lock

Qty. 4

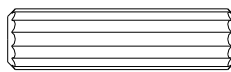
**GG**



Small  
Cam Bolt

Qty. 4

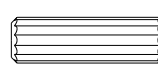
**HH**



Large  
Wood Dowel

Qty. 34

**II**



Small  
Wood Dowel

Qty. 8

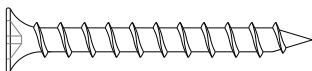
**JJ**



M6 x 10 mm  
Screw

Qty. 4

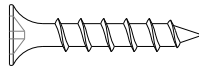
**KK**



M4 x 38 mm  
Wood Screw

Qty. 8

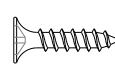
**LL**



M4 x 25 mm  
Wood Screw

Qty. 4

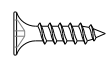
**MM**



M4 x 14 mm  
Wood Screw

Qty. 24

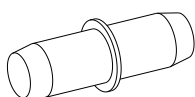
**NN**



M3.5 x 12 mm  
Wood Screw

Qty. 6

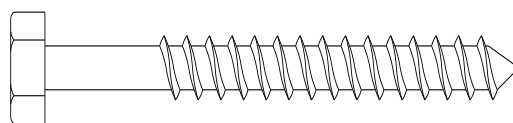
**OO**



Shelf Pin

Qty. 4

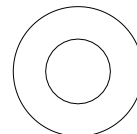
**PP**



M8 x 2-1/2 in.  
Lag Bolt

Qty. 4

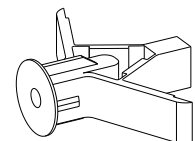
**QQ**



Large Flat  
Washer

Qty. 4

**RR**

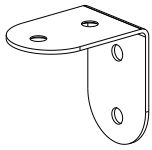


Wall Anchor

Qty. 8

## HARDWARE CONTENTS

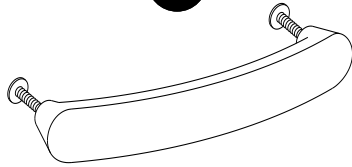
SS



L Bracket

Qty. 8

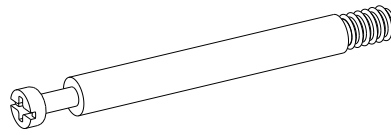
TT



Drawer Handle  
and Bolts

Qty. 1

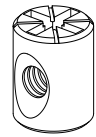
UU



Large  
Cam Bolt

Qty. 4

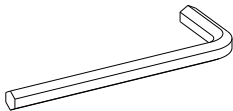
VV



Barrel  
Nut

Qty. 4

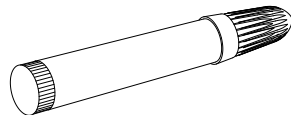
WW



M4 Allen  
Wrench

Qty. 1

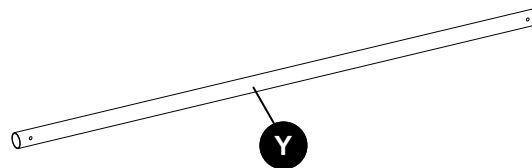
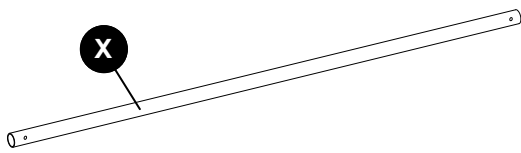
XX



Touch-up Pen

Qty. 1  
(not included for  
Item #0339205)

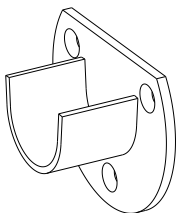
## PACKAGE CONTENTS ( Pole Kit )



PART	DESCRIPTION	QUANTITY
X	22 mm Metal Pole	3
Y	25 mm Metal Pole	3

## HARDWARE CONTENTS ( for Pole Kit )

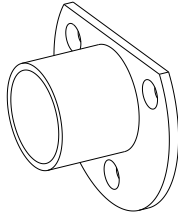
YO



Open Pole  
Holder

Qty. 3

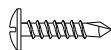
YC



Closed  
Pole Holder

Qty. 3

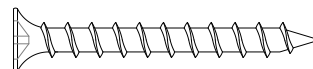
ZZ



M4 x 15 mm  
Self-tapping Screw

Qty. 6

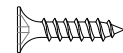
KK



M4 x 38 mm  
Wood Screw

Qty. 18

MM



M4 x 14 mm  
Wood Screw

Qty. 9

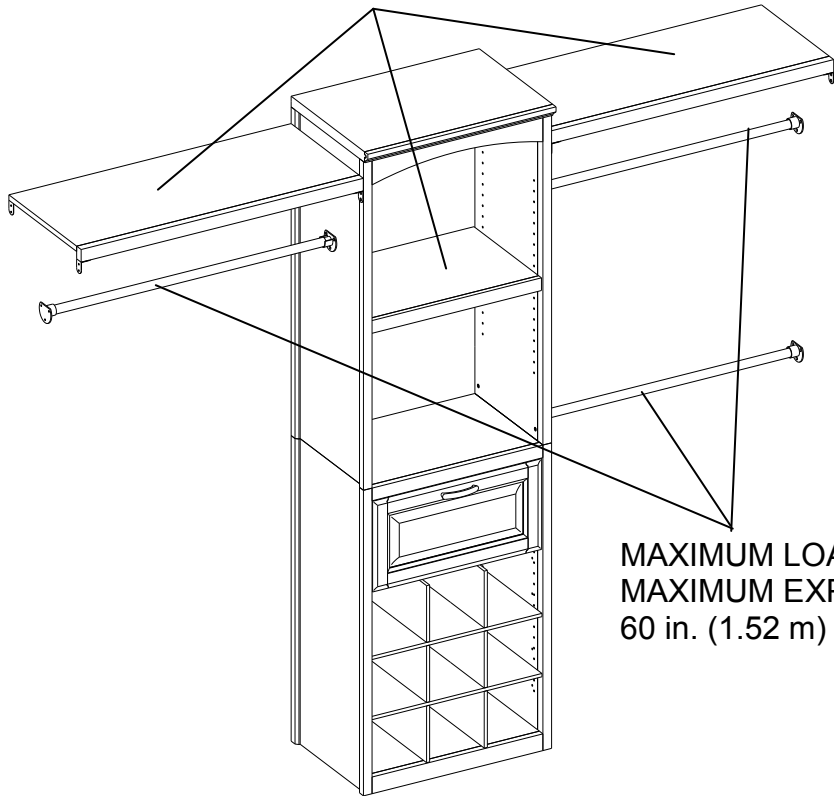


## SAFETY INFORMATION

Please read and understand this entire manual prior to assembling the product.

1. Do not allow children to climb or play in or around this product.
2. Use this unit for its intended purpose only. Do not use shelves as step ladder.
3. To avoid damage, assemble the product on a sturdy, level and protective surface.
4. Two or more persons must work together to install the unit onto the wall.
5. Make sure all bolts/screws are tightly fastened before the unit is used.
6. Check bolts/screws periodically and tighten them if necessary.

MAXIMUM LOAD: 30 lbs. (13.6 kg)



MAXIMUM LOAD: 40 lbs. (18.14 kg)  
MAXIMUM EXPANDABLE LENGTH:  
60 in. (1.52 m)

## ⚠ WARNING

THIS UNIT IS INTENDED FOR USE ONLY WITH THE MAXIMUM WEIGHTS INDICATED. USE WITH PRODUCTS HEAVIER THAN THE MAXIMUM WEIGHTS INDICATED MAY RESULT IN INSTABILITY CAUSING POSSIBLE INJURY. DISTRIBUTE WEIGHT EVENLY.

## PREPARATION

Before beginning assembly of this product, make sure all parts are present. Compare parts with package contents list and hardware contents above. If any part is missing or damaged, do not attempt to assemble the product. Contact customer service for replacement parts.

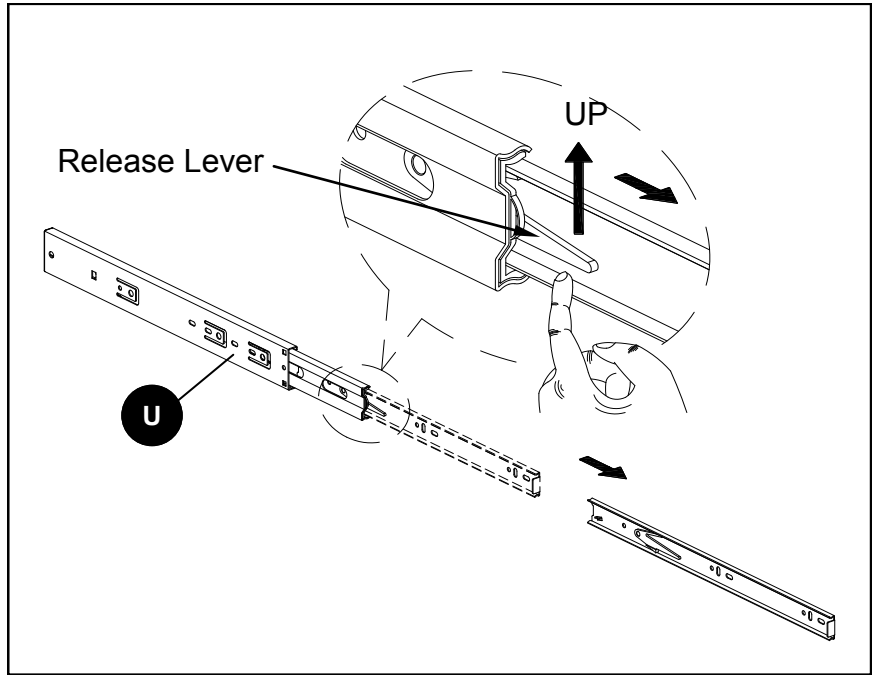
**Estimated Assembly Time: 120 minutes**

Tools Required for Assembly (not included): Phillips Screwdriver, Power Drill, 3/16 in. Drill Bit, 3/8 in. Drill Bit, 1/2 in. Socket Wrench, Level, Stud Finder, Marking Pencil, Tape Measure, Step Ladder, and Hammer

# ASSEMBLY INSTRUCTIONS

## Step 1

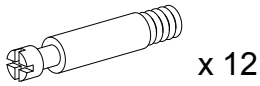
### Base assembly



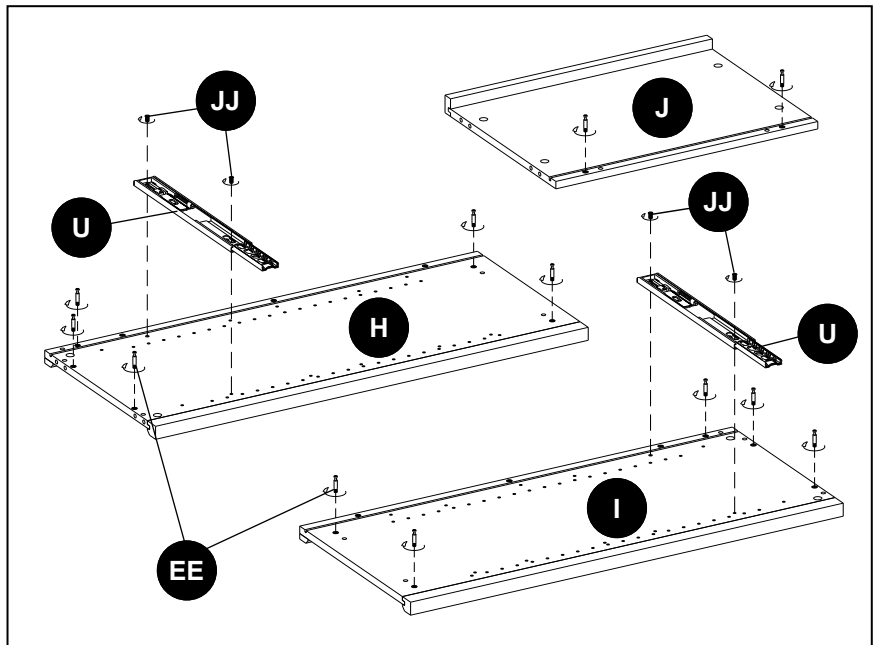
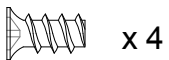
## Step 2

### Base assembly

**EE** Medium Cam Bolt



**JJ** M6 x 10 mm Screw



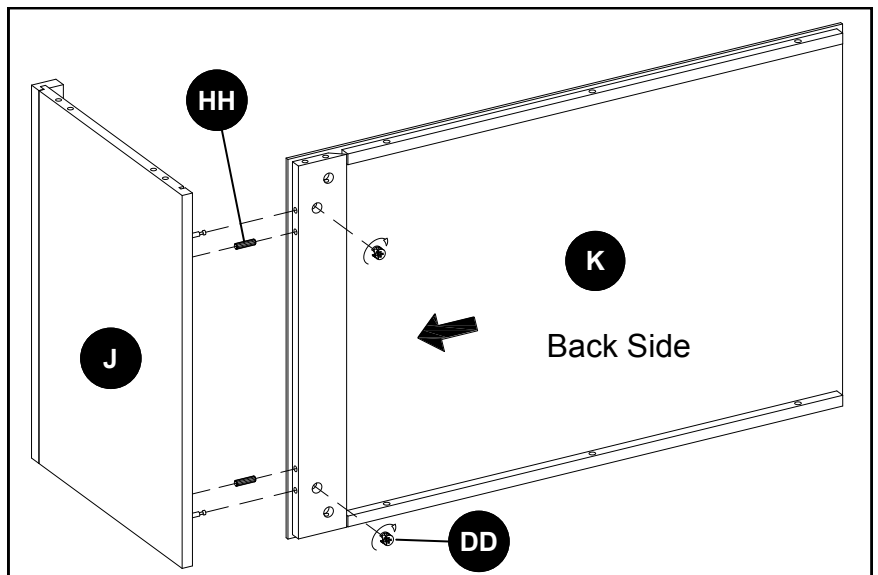
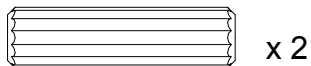
## Step 3

### Base assembly

**DD** Large Cam Lock



**HH** Large Wood Dowel

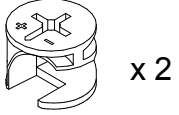


# ASSEMBLY INSTRUCTIONS

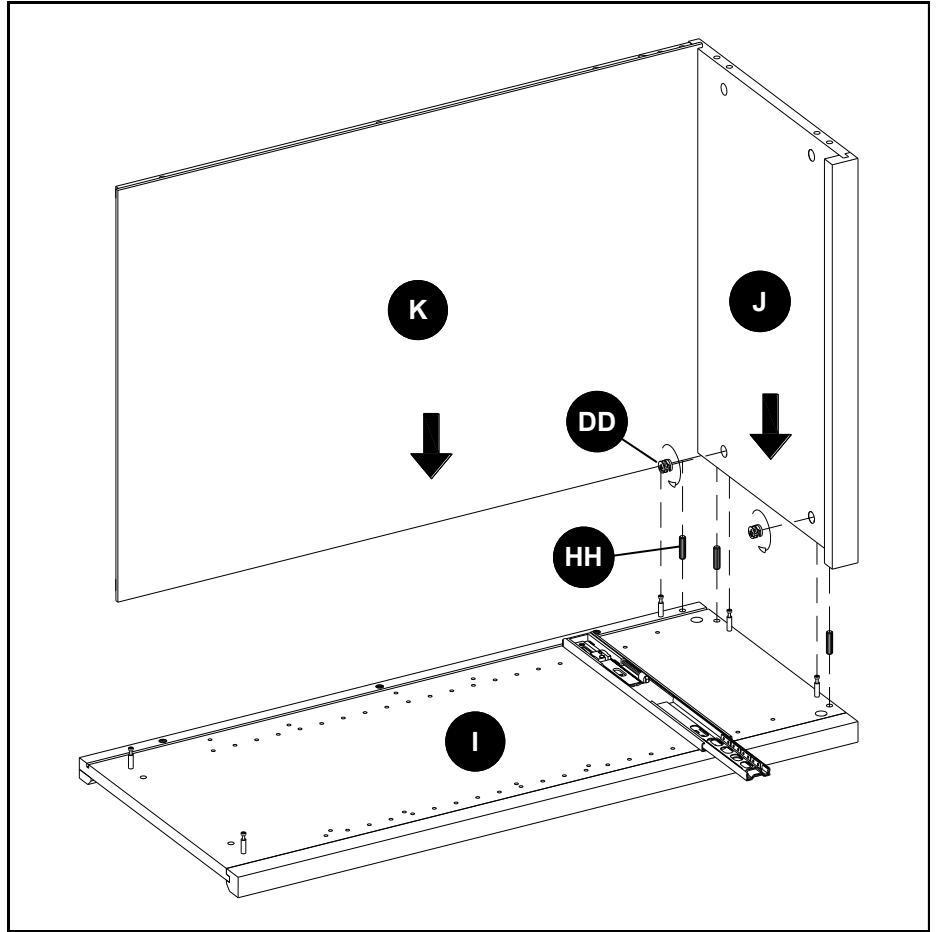
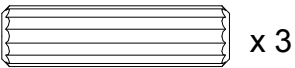
## Step 4

### Base assembly

**DD** Large Cam Lock



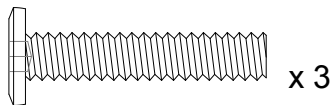
**HH** Large Wood Dowel



## Step 5

### Base assembly

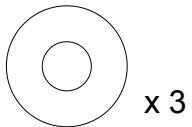
**AA** 1/4 x 1-1/4 in. Bolt



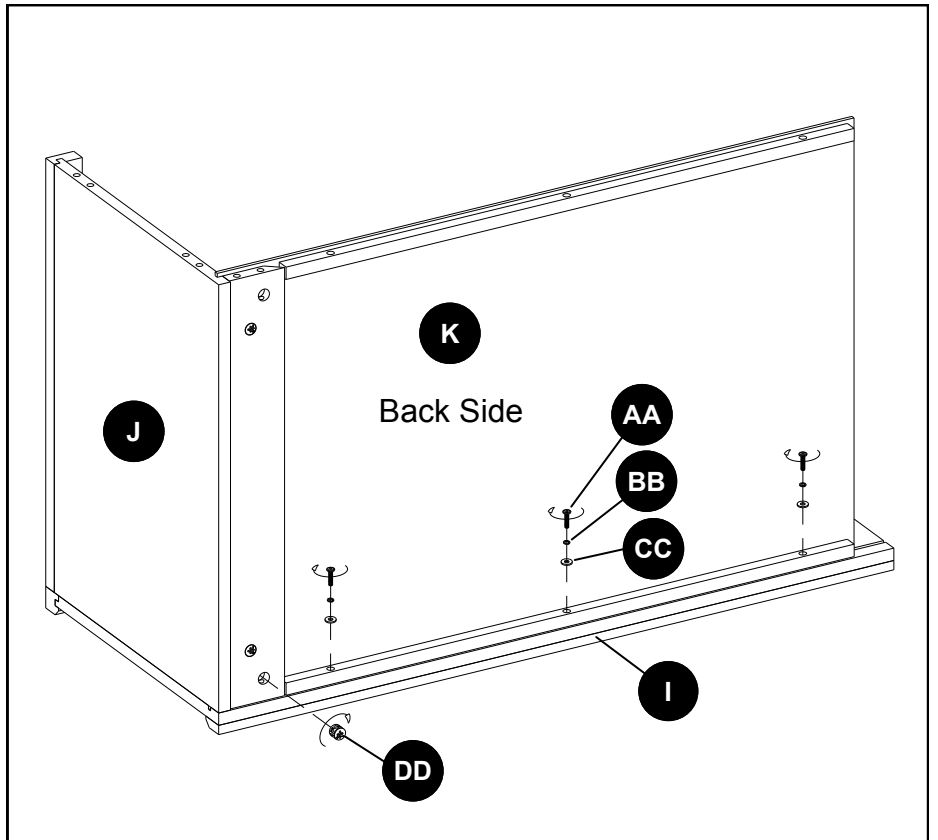
**BB** Lock Washer



**CC** Flat Washer



**DD** Large Cam Lock



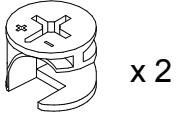


# ASSEMBLY INSTRUCTIONS

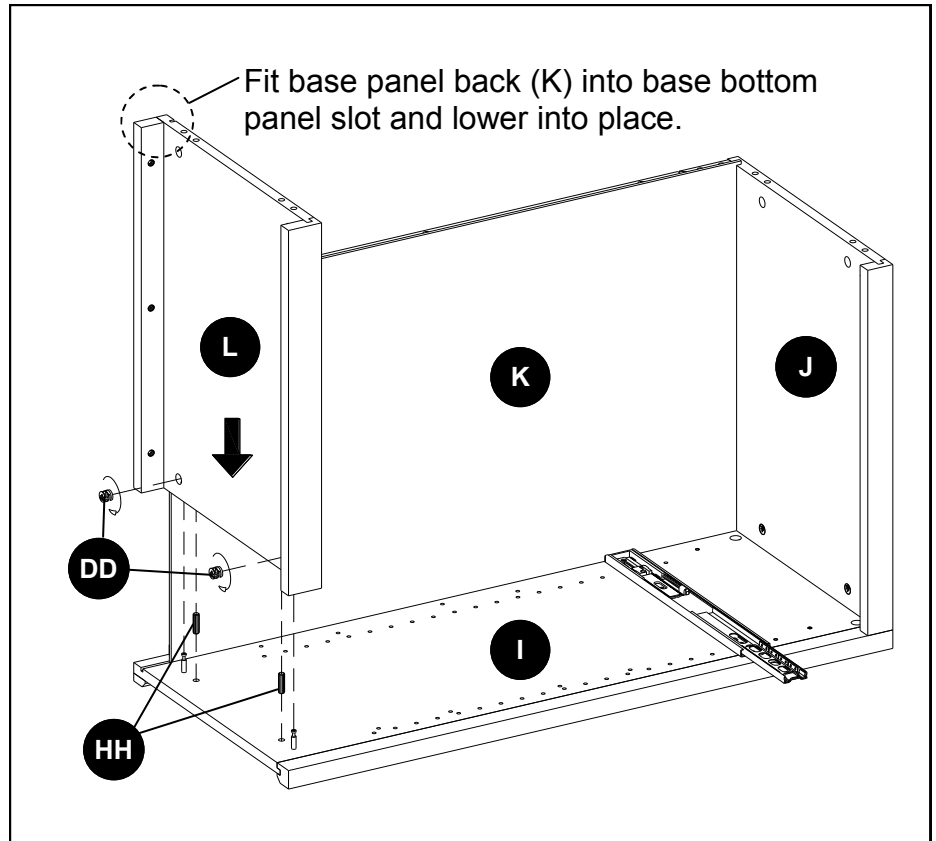
## Step 6

### Base assembly

**DD** Large Cam Lock



**HH** Large Wood Dowel



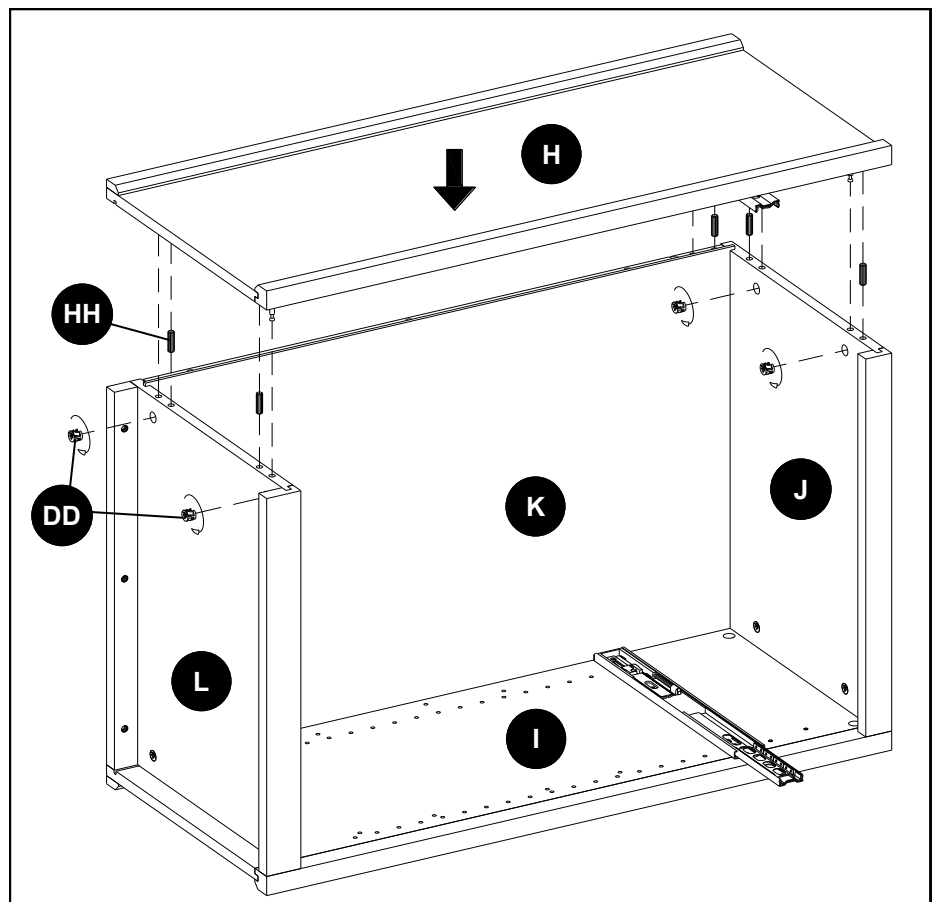
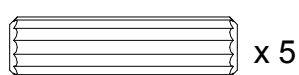
## Step 7

### Base assembly

**DD** Large Cam Lock

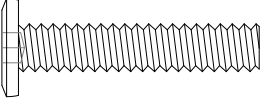
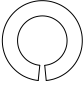
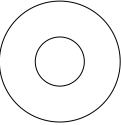
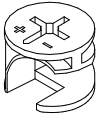


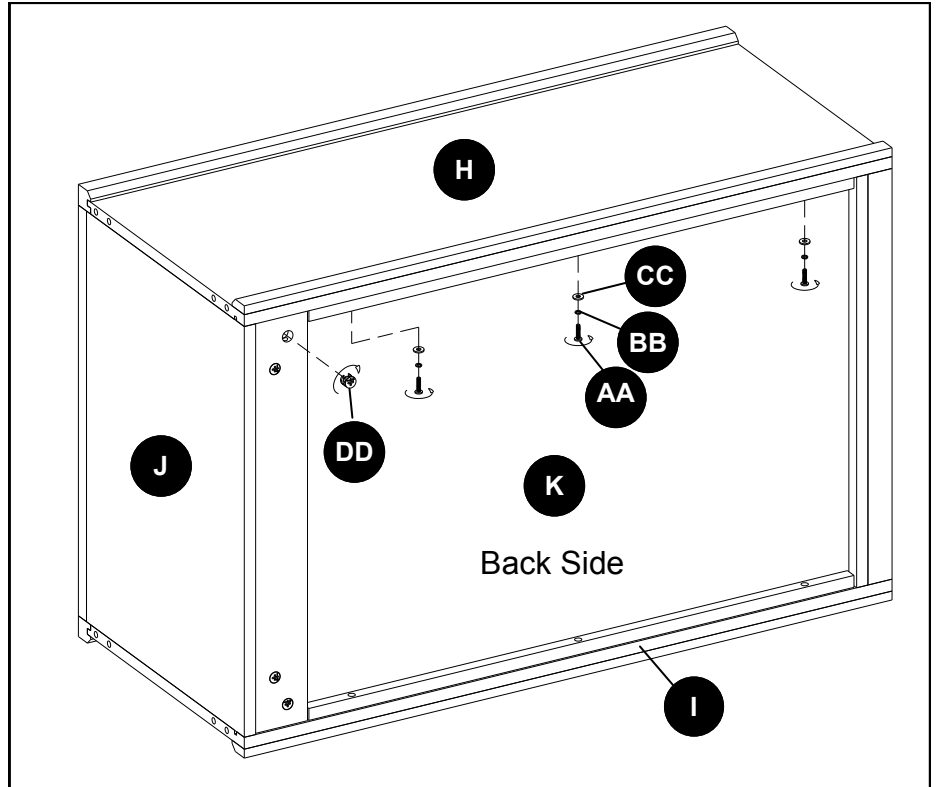
**HH** Large Wood Dowel



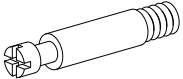
# ASSEMBLY INSTRUCTIONS

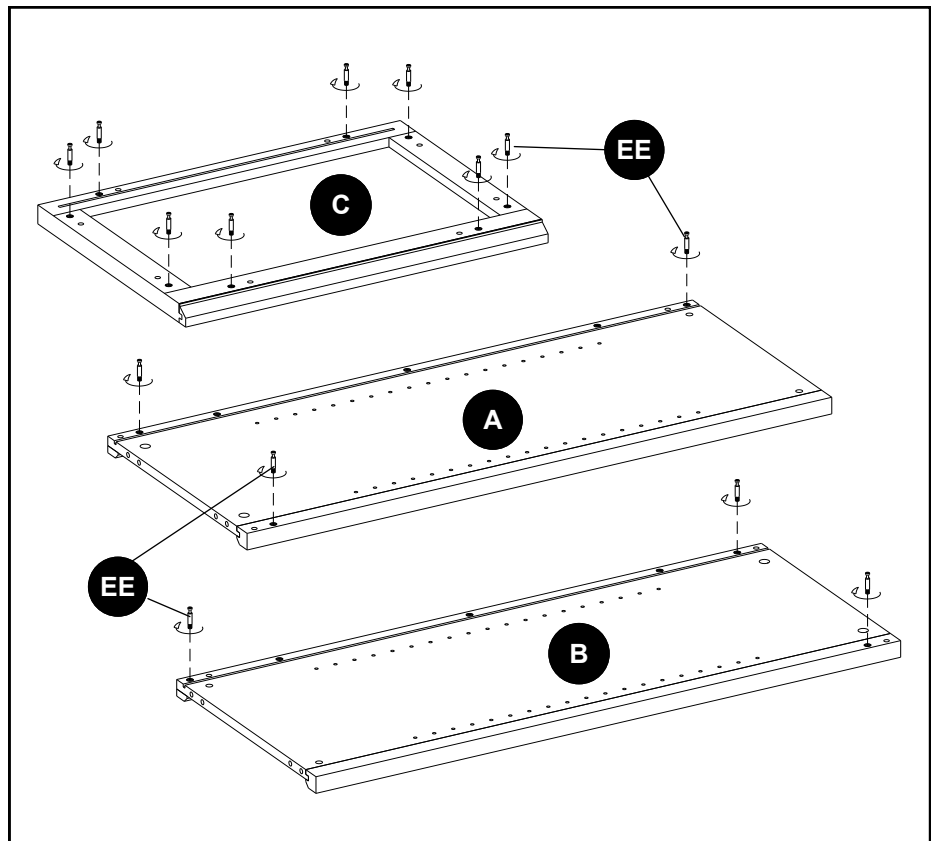
## Step 8 Base assembly

- AA** 1/4 x 1-1/4 in. Bolt  
 x 3
- BB** Lock Washer  
 x 3
- CC** Flat Washer  
 x 3
- DD** Large Cam Lock  
 x 1



## Step 1 Hutch assembly

- EE** Medium Cam Bolt  
 x 14

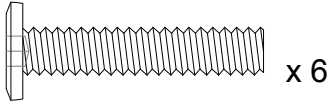


# ASSEMBLY INSTRUCTIONS

## Step 2

### Hutch assembly

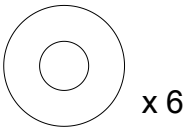
**AA** 1/4 x 1-1/4 in. Bolt



**BB** Lock Washer



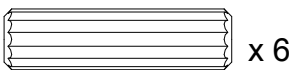
**CC** Flat Washer



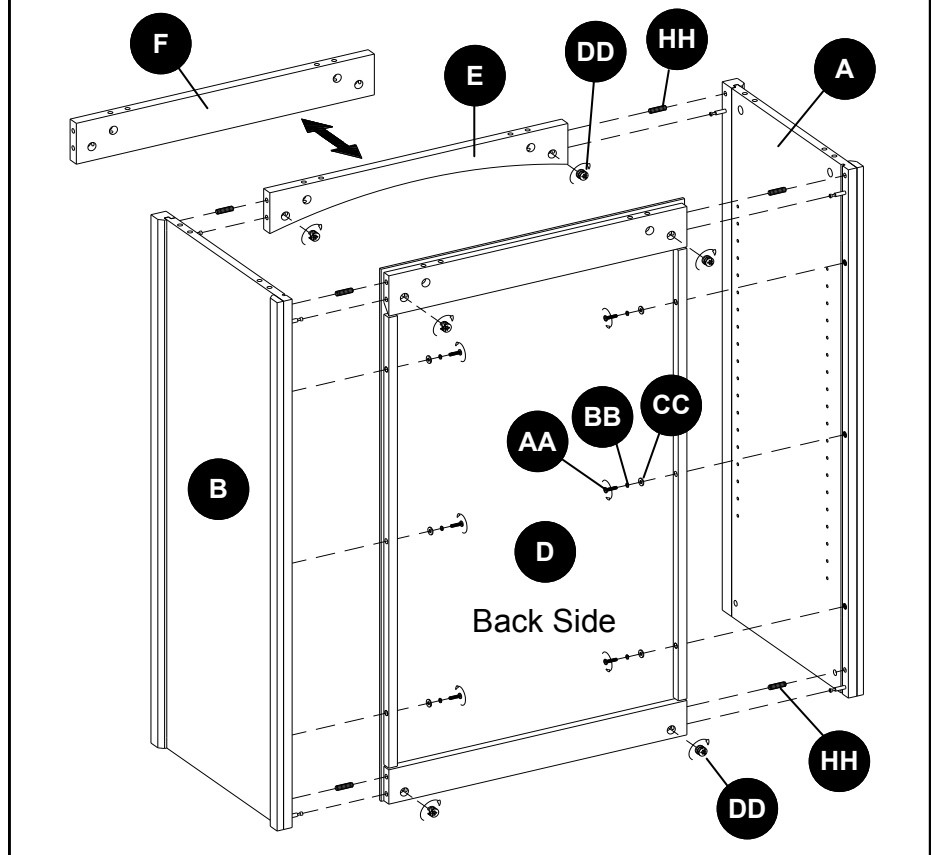
**DD** Large Cam Lock



**HH** Large Wood Dowel



Choose front curved stretcher (E) or front straight stretcher (F) depending on which fits your closet look and assemble per instructions below.



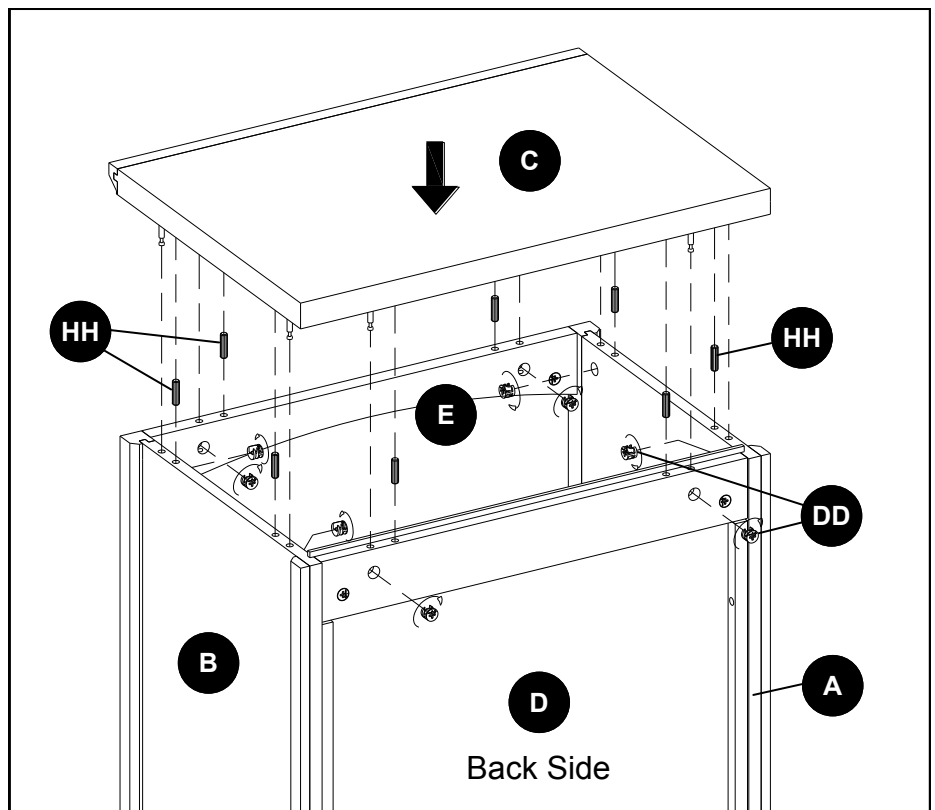
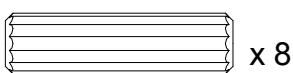
## Step 3

### Hutch assembly

**DD** Large Cam Lock



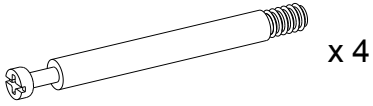
**HH** Large Wood Dowel



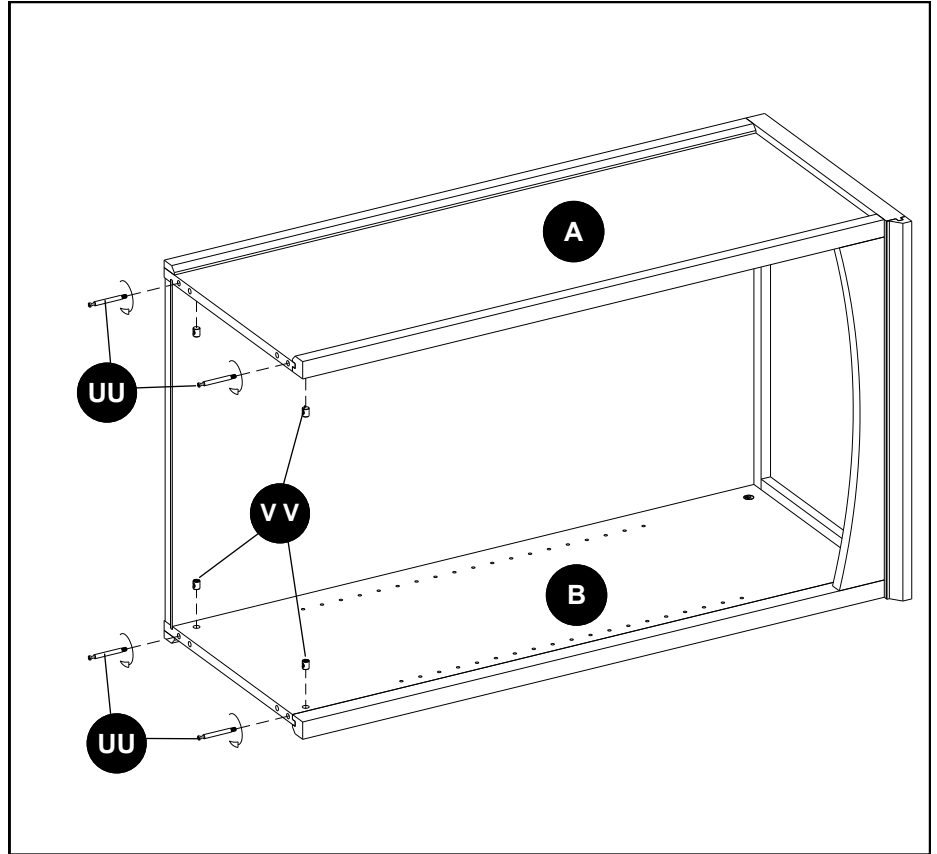
# ASSEMBLY INSTRUCTIONS

## Step 4 Hutch assembly

**UU** Large Cam Bolt



**vv** Barrel Nut

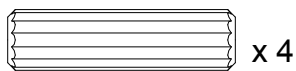


## Step 5 Hutch assembly

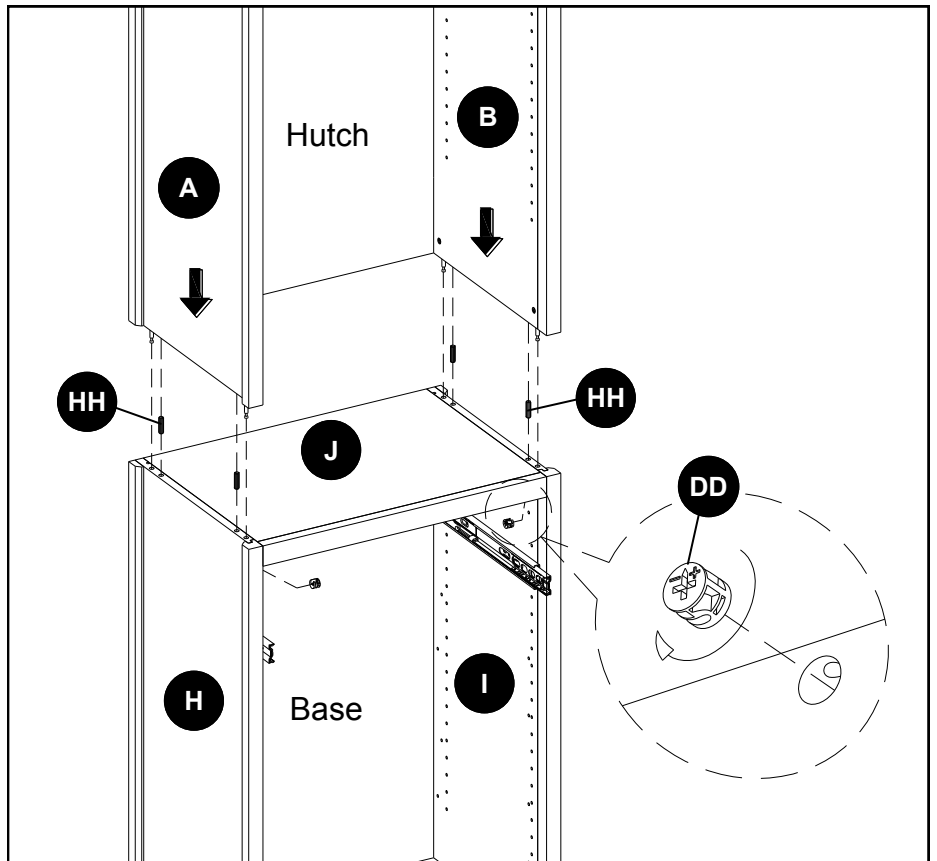
**DD** Large Cam Lock



**HH** Large Wood Dowel



NOTE: Ask for help from your friend for this step.

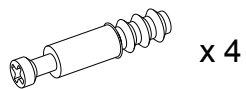


# ASSEMBLY INSTRUCTIONS

## Step 1

### Drawer assembly

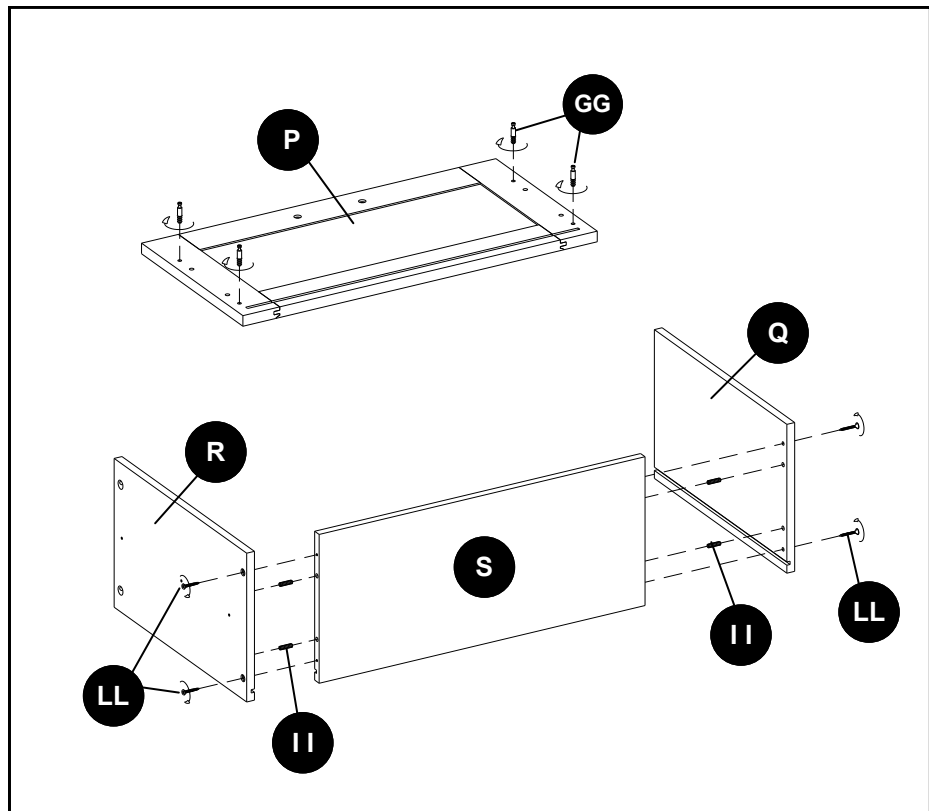
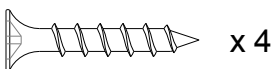
**GG** Small Cam Bolt



**II** Small Wood Dowel

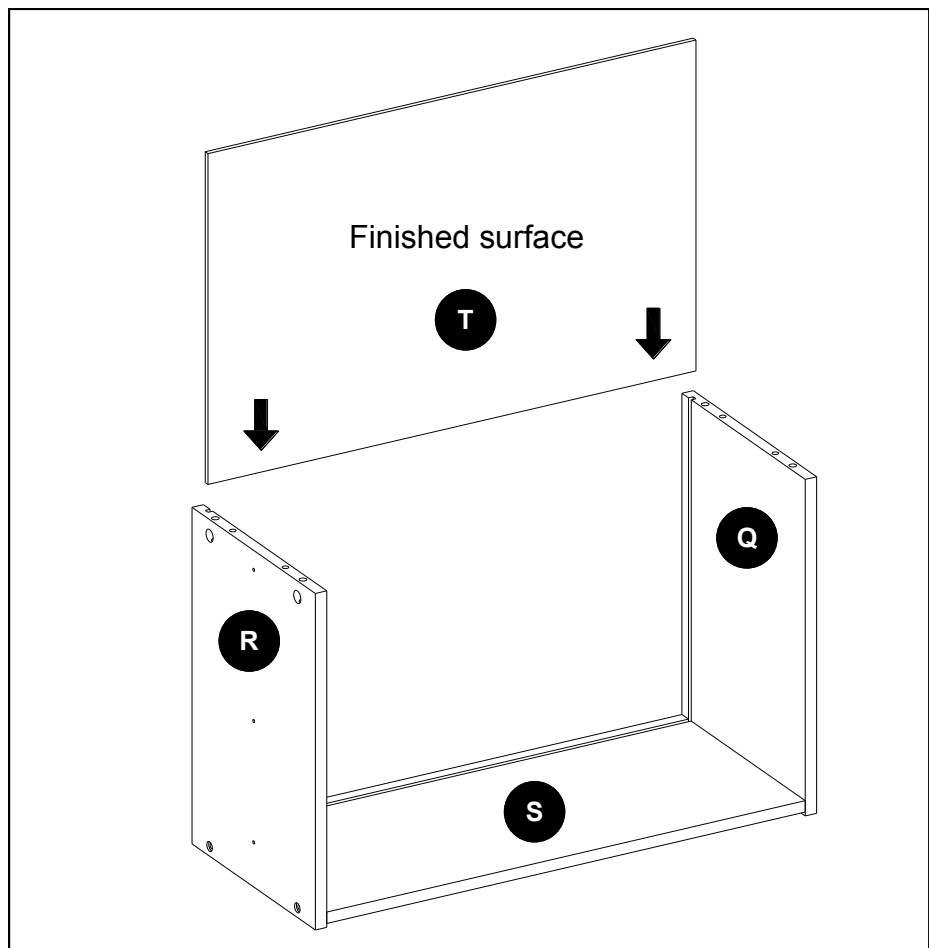


**LL** M4 x 25 mm Wood Screw



## Step 2

### Drawer assembly



# ASSEMBLY INSTRUCTIONS

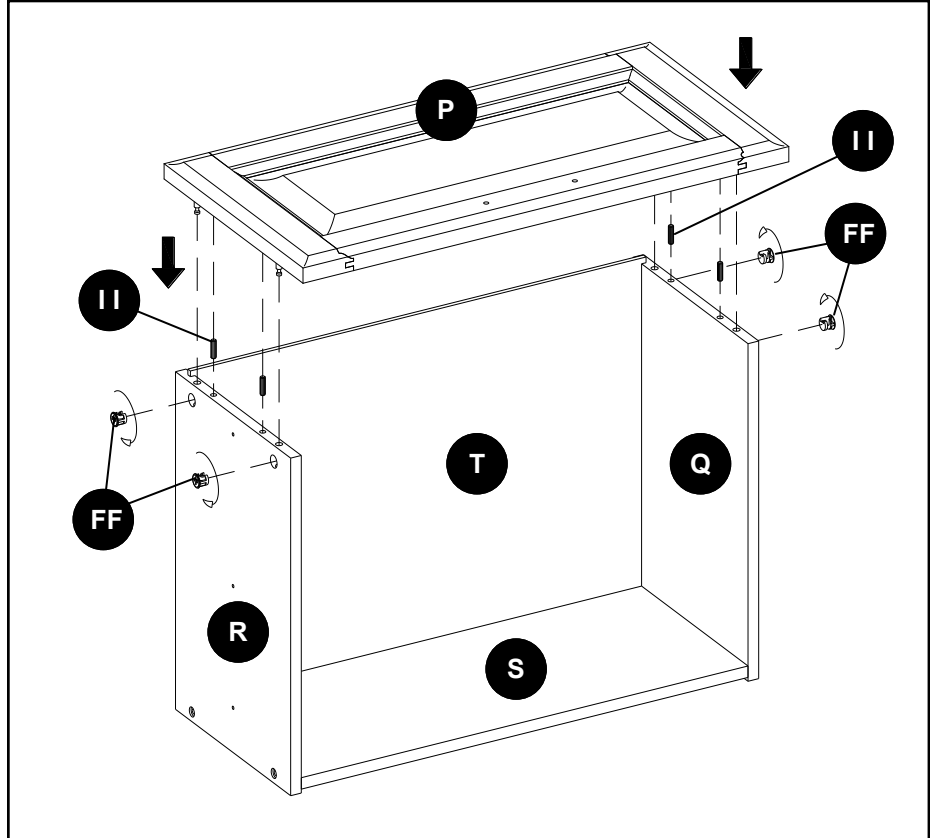
## Step 3

### Drawer assembly

**FF** Small Cam Lock



**II** Small Wood Dowel



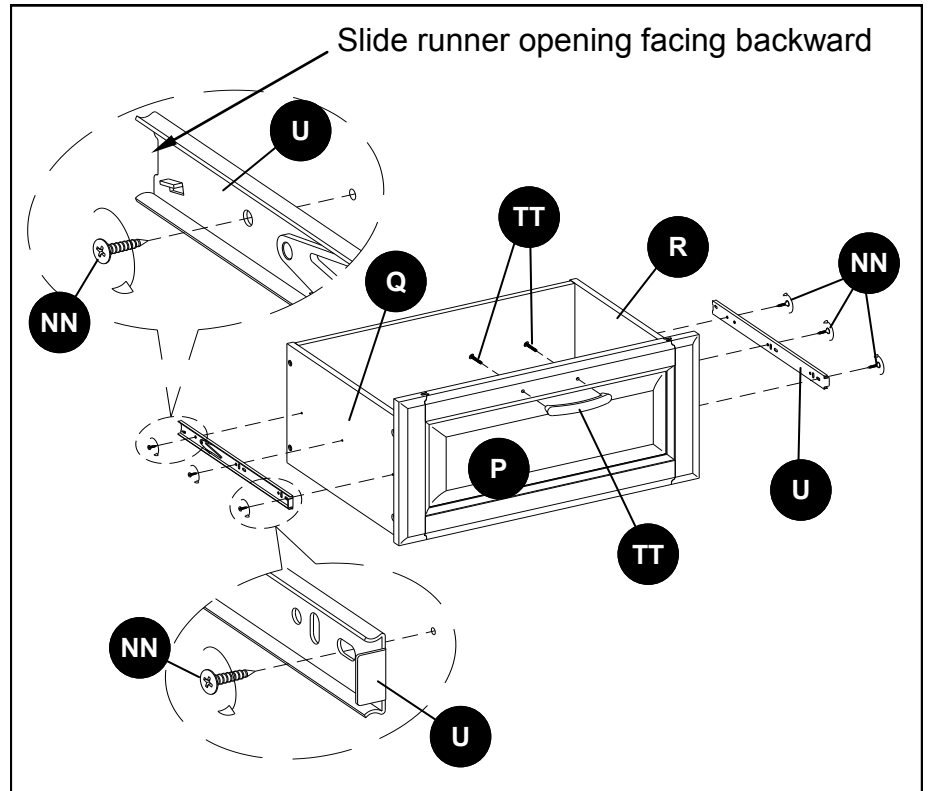
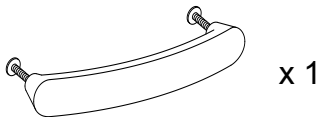
## Step 4

### Drawer assembly

**NN** M3.5 x 12 mm Wood Screw



**TT** Drawer Handle and Bolts

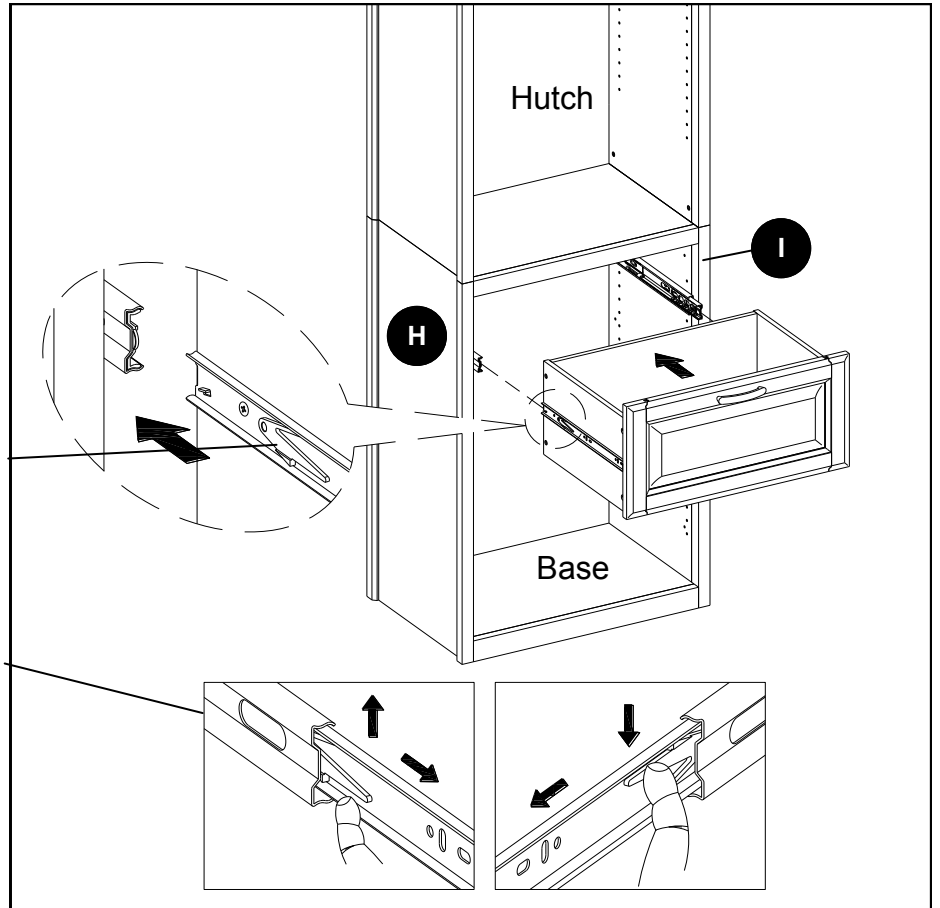


# ASSEMBLY INSTRUCTIONS

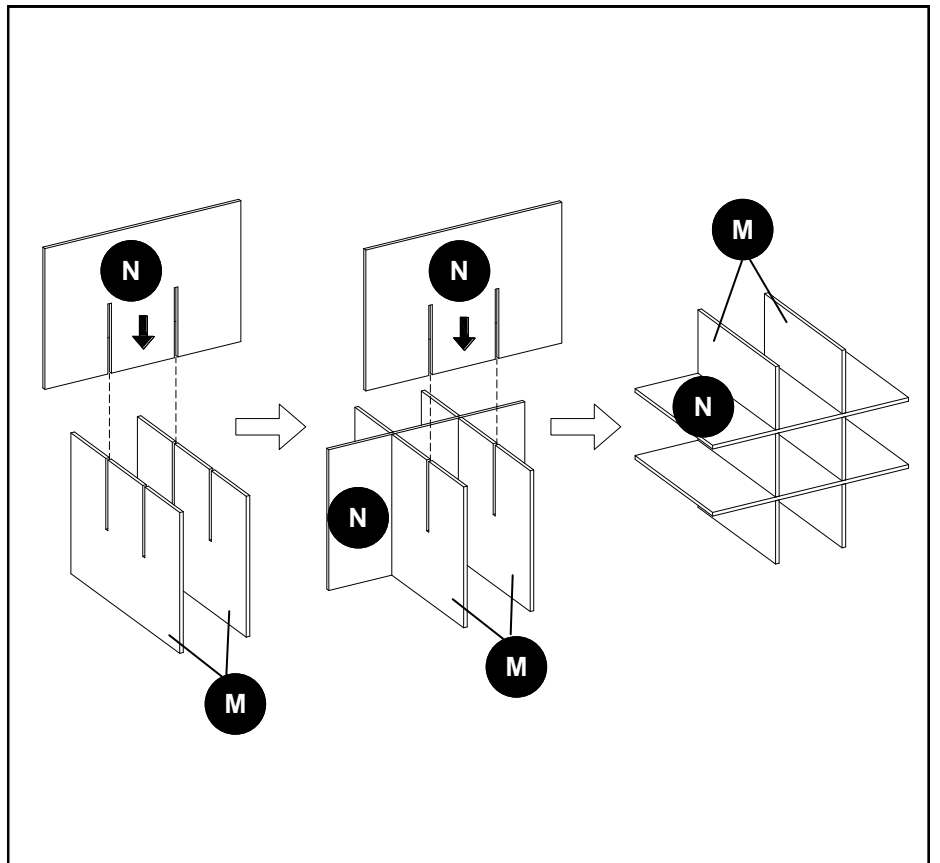
## Step 5 Drawer assembly

Press down the release lever while sliding the drawer in.

If you need to remove the drawer, extend it all the way forward, then press the release lever up on one side and down on the other side, and then pull the drawer completely out.

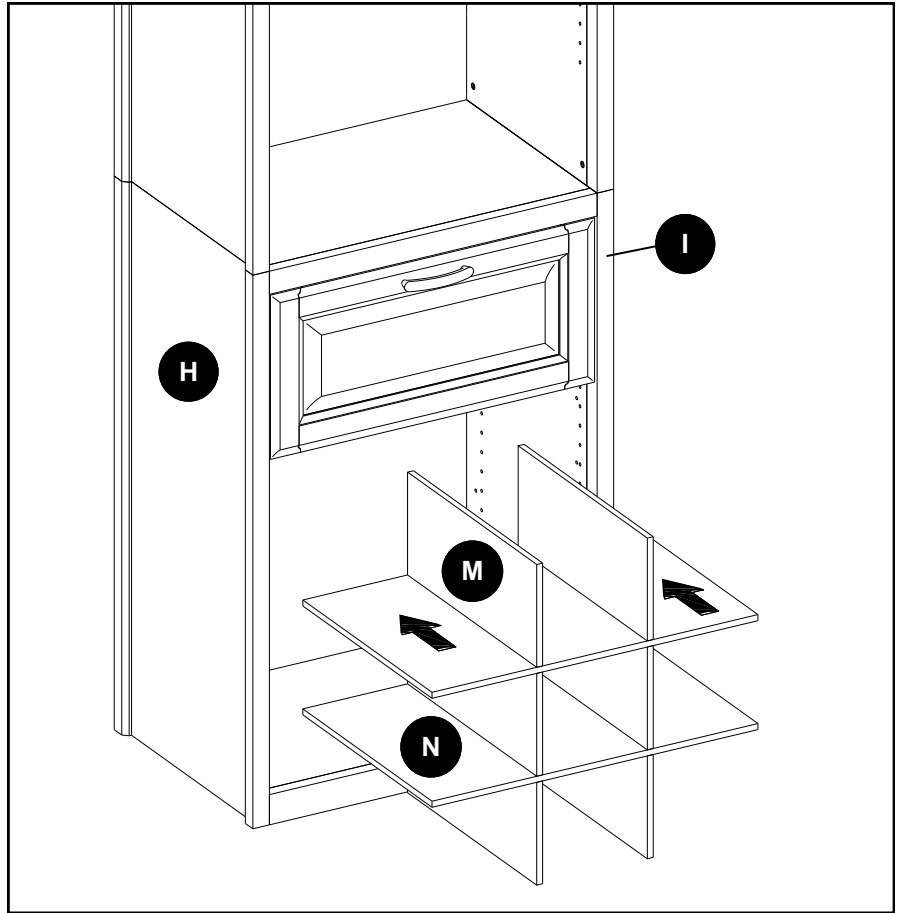


## Step 1 Shoe Divider assembly



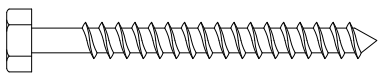
# ASSEMBLY INSTRUCTIONS

## Step 2 Shoe Divider assembly



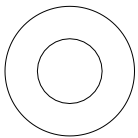
## Step 1 Wall Hanging installation

**PP** M8 x 2-1/2 in. Lag Bolt



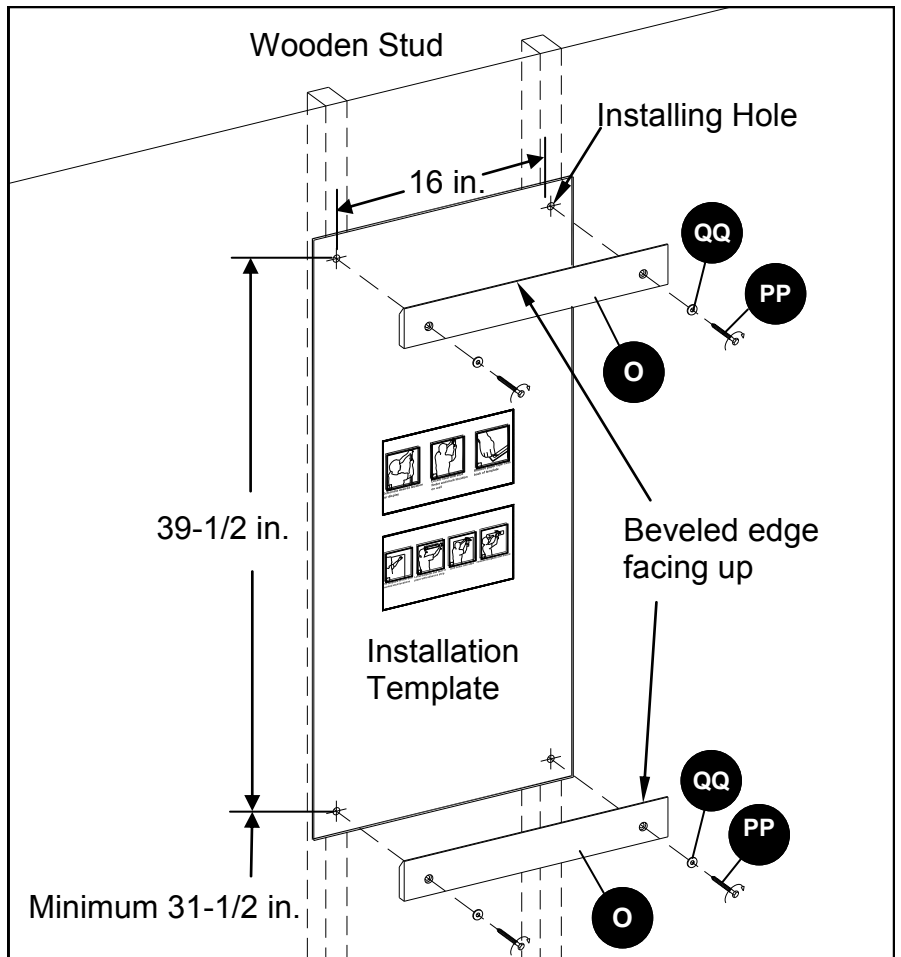
x 4

**QQ** Large Flat Washer



x 4

Position the provided installation template (W) on desired location and carefully follow the directions on template to mark the installing holes. Make sure the bottom two installing holes location are more than 31-1/2 in. from the floor. Drill holes 2-1/2 in. deep with a 3/16 in. drill bit at the marked location.



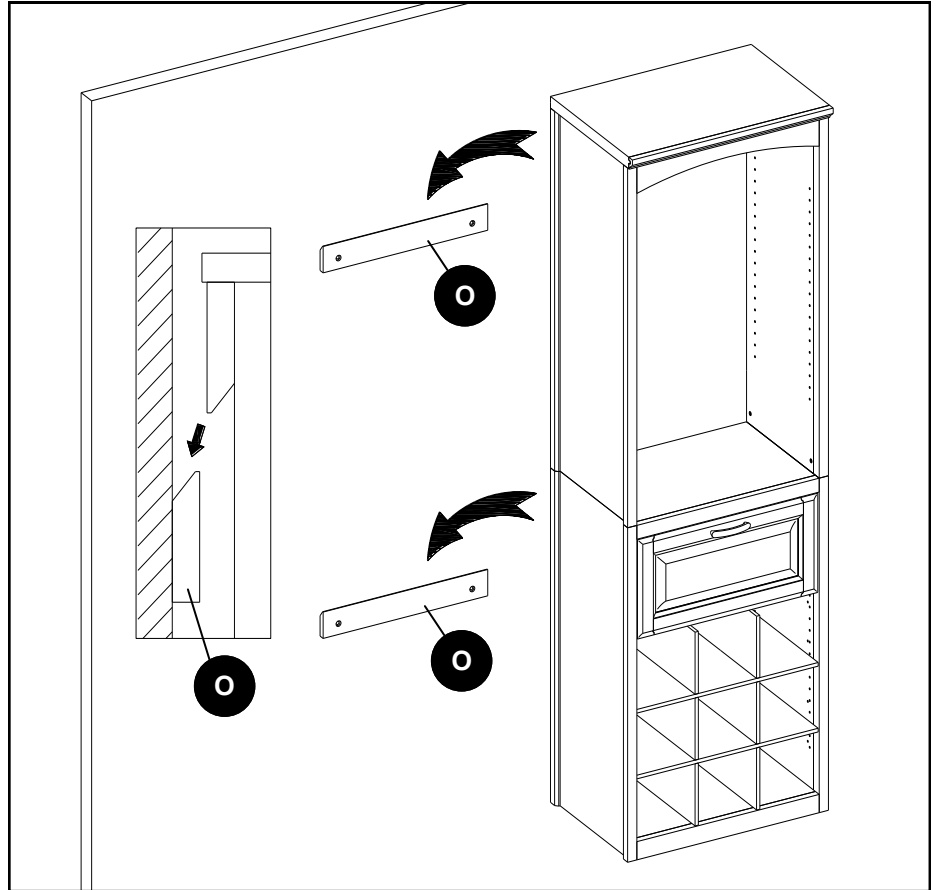


# ASSEMBLY INSTRUCTIONS

## Step 2

### Wall Hanging installation

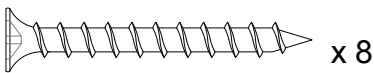
NOTE: TWO OR MORE PERSONS MUST WORK TOGETHER TO INSTALL THE UNIT ONTO THE WALL.



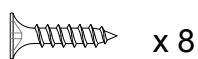
## Step 1

### Extra Shelf installation

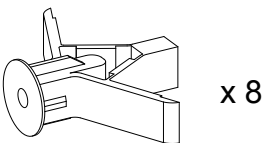
**KK** M4 x 38 mm Wood Screw



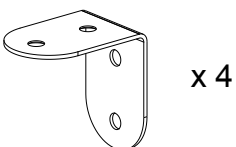
**MM** M4 x 14 mm Wood Screw



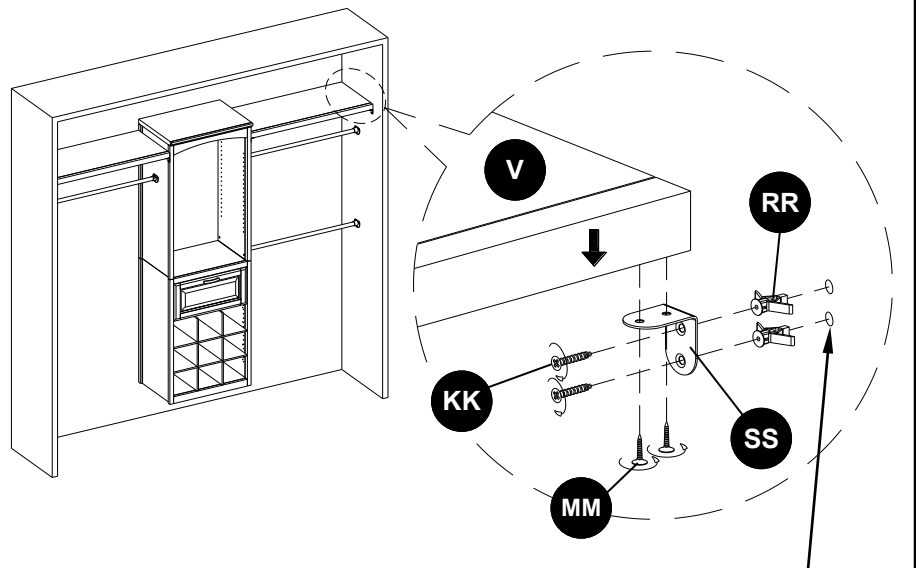
**RR** Wall Anchor



**SS** L Bracket



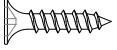
Always use a quality level to ensure the shelf is level while installing.

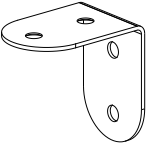


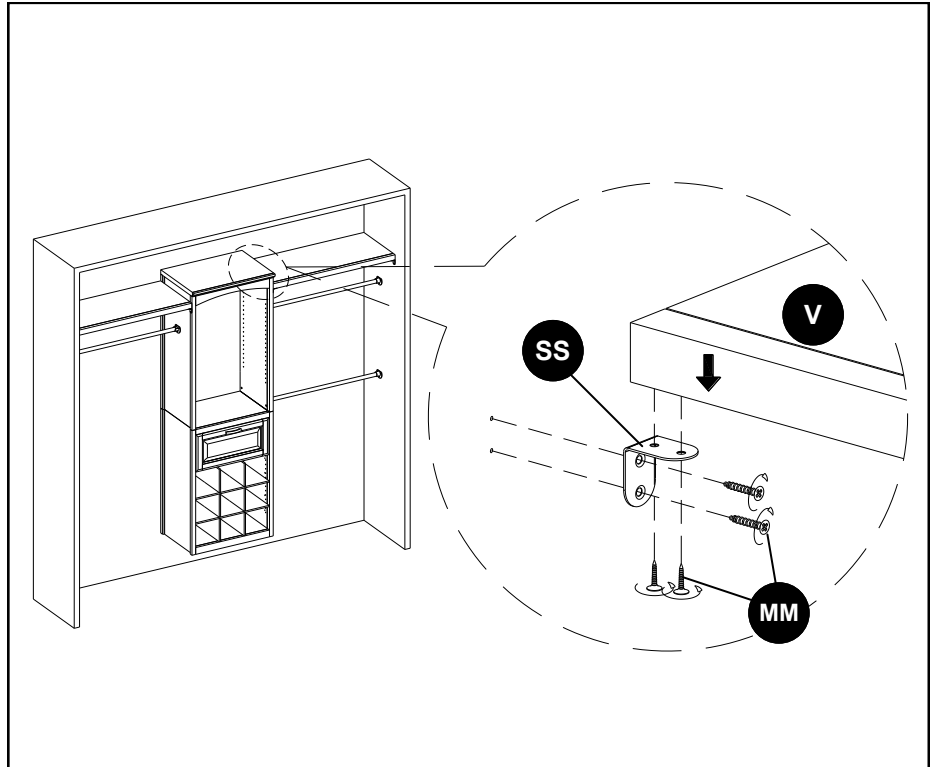
If holes coincide with wooden studs, it is recommended you use the screws in those holes.

# ASSEMBLY INSTRUCTIONS

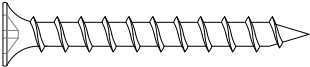
## Step 2 Extra Shelf installation

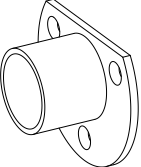
**MM** M4 x 14 mm Wood Screw  
 x 16

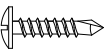
**SS** L Bracket  
 x 4

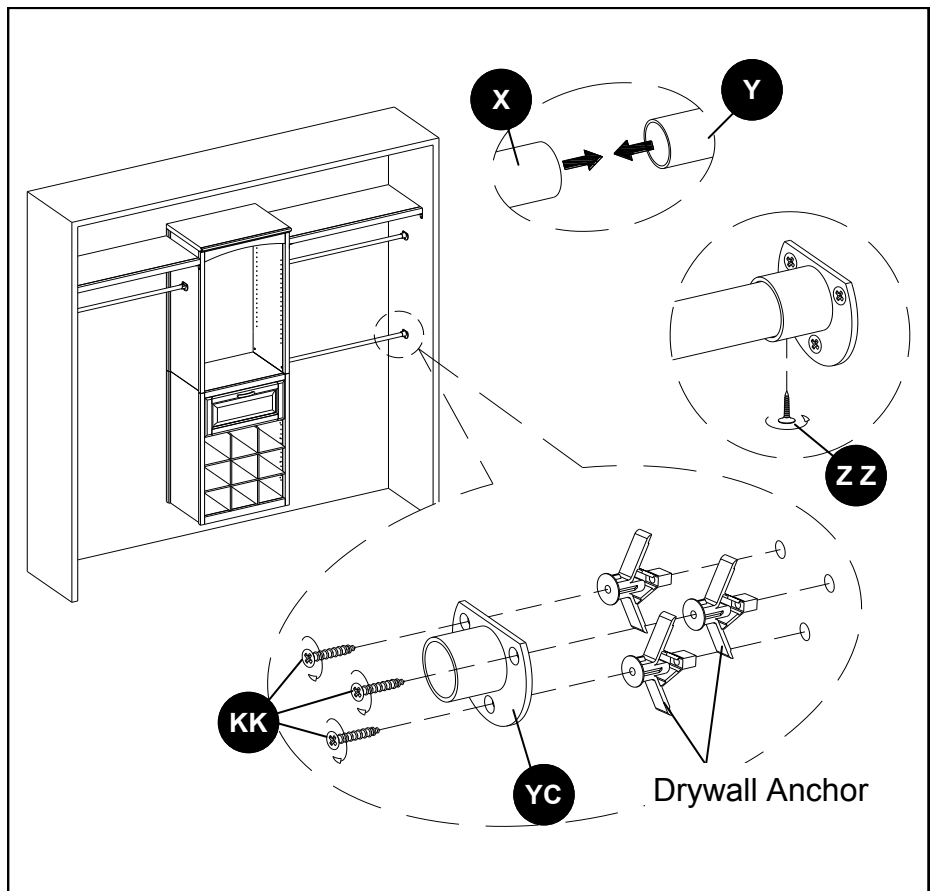


## Step 1 Pole Kit installation

**KK** M4 x 38 mm Wood Screw  
 x 9

**YC** Closed Pole Holder  
 x 3

**ZZ** M4 x 15 mm Self-tapping Screw  
 x 3

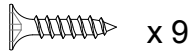


# ASSEMBLY INSTRUCTIONS

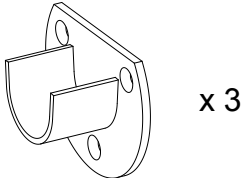
## Step 2

### Pole Kit installation

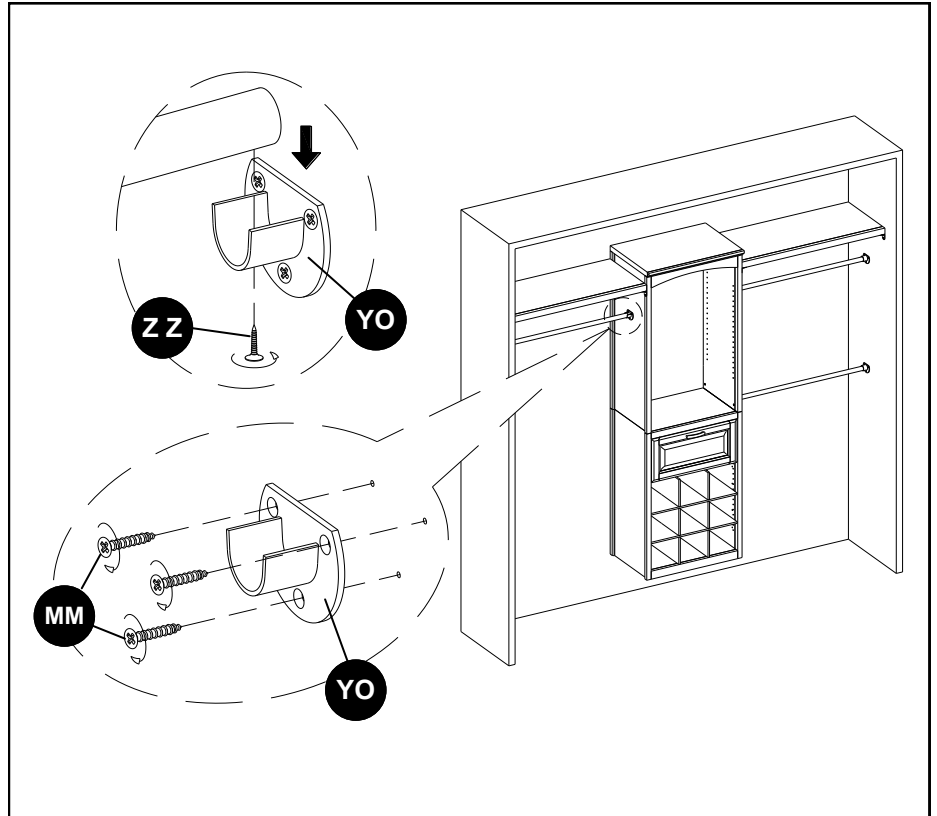
**MM** M4 x 14 mm Wood Screw



**YO** Open Pole Holder



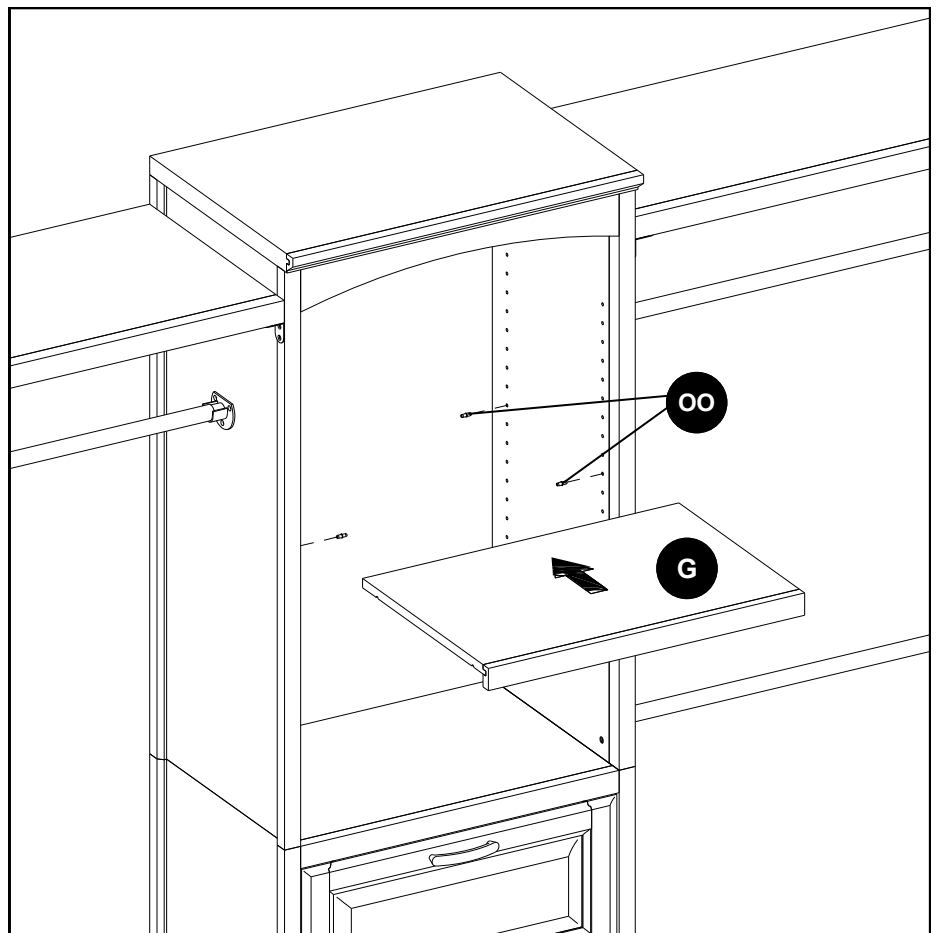
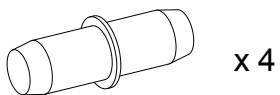
**ZZ** M4 x 15 mm Self-tapping Screw



## Step 1

### Adjustable Shelf installation

**OO** Shelf Pin



## CARE AND MAINTENANCE

---

- Periodically check to make certain all components are properly positioned, free from damage and firmly connected.
- Use a soft, clean cloth that will not scratch the surface when dusting.
- Never use water to clean your furniture as it may cause damage to the finish.
- Wipe clean using a damp cloth and a mild cleaner. Wipe dry with a clean cloth.
- In the event that your furniture is stained or otherwise damaged during use, it is recommended that you call a professional to repair the furniture.
- Keep furniture away from direct sunlight as it may damage the finish.
- It is best to keep the furniture in a climate-controlled environment. Extreme temperature and humidity changes can cause fading, warping, shrinking and splitting of wood.
- Touch-up pen (XX) has been provided (except in Item #0339205) to repair any small nicks or scratches that may occur during assembly or shipping.
- If Item #0339205 is damaged and touch-up is required please apply a quality wood polish to the damaged surface. Polish not included with this item.

## TROUBLESHOOTING

---

If you have any questions regarding the product, please call customer service at 1-866-439-9800, 8 a.m. - 8 p.m., EST, Monday - Friday.

<b>PROBLEM</b>	<b>POSSIBLE CAUSE</b>	<b>CORRECTIVE ACTION</b>
One end of long shelf (V) is floating	The closet space is larger than 8 ft.	1. Buy corresponding shelf bracket and wall bracket (sold separately). 2. Replace long shelf (V) with a longer shelf of a similar finish and style.
Long shelf (V) can not be installed inside the closet	The closet space is smaller than 8 ft.	1. Shorten one side of the long shelf (V). Hire an insured remodeler for installation. 2. Replace long shelf (V) with a shorter shelf of a similar finish and style.

## LIMITED LIFETIME WARRANTY

---

This product (exclusive of shelves) is warranted to the original purchaser. If there is a failure in this unit due to defects in materials or workmanship, the manufacturer will repair or replace this item at our discretion without charge. Warranty is void if product has been assembled incorrectly, misused, abused by overloading, altered in any way or damaged due to accident. This warranty is not transferable and does not cover chipping, flaking, scratches, rust, dents, or other damages to the surfaces of this product. Responsibility of the manufacturer is limited to repair or replacement of this product. The manufacturer is not responsible for consequential, incidental, or other damages or losses resulting from product failure.

This warranty is in lieu of all other expressed warranties. Some states do not allow the exclusion or limitation of incidental or consequential damages, so the above limitation may not apply to you. This warranty gives you specific legal rights and you may have other rights which vary from state to state.

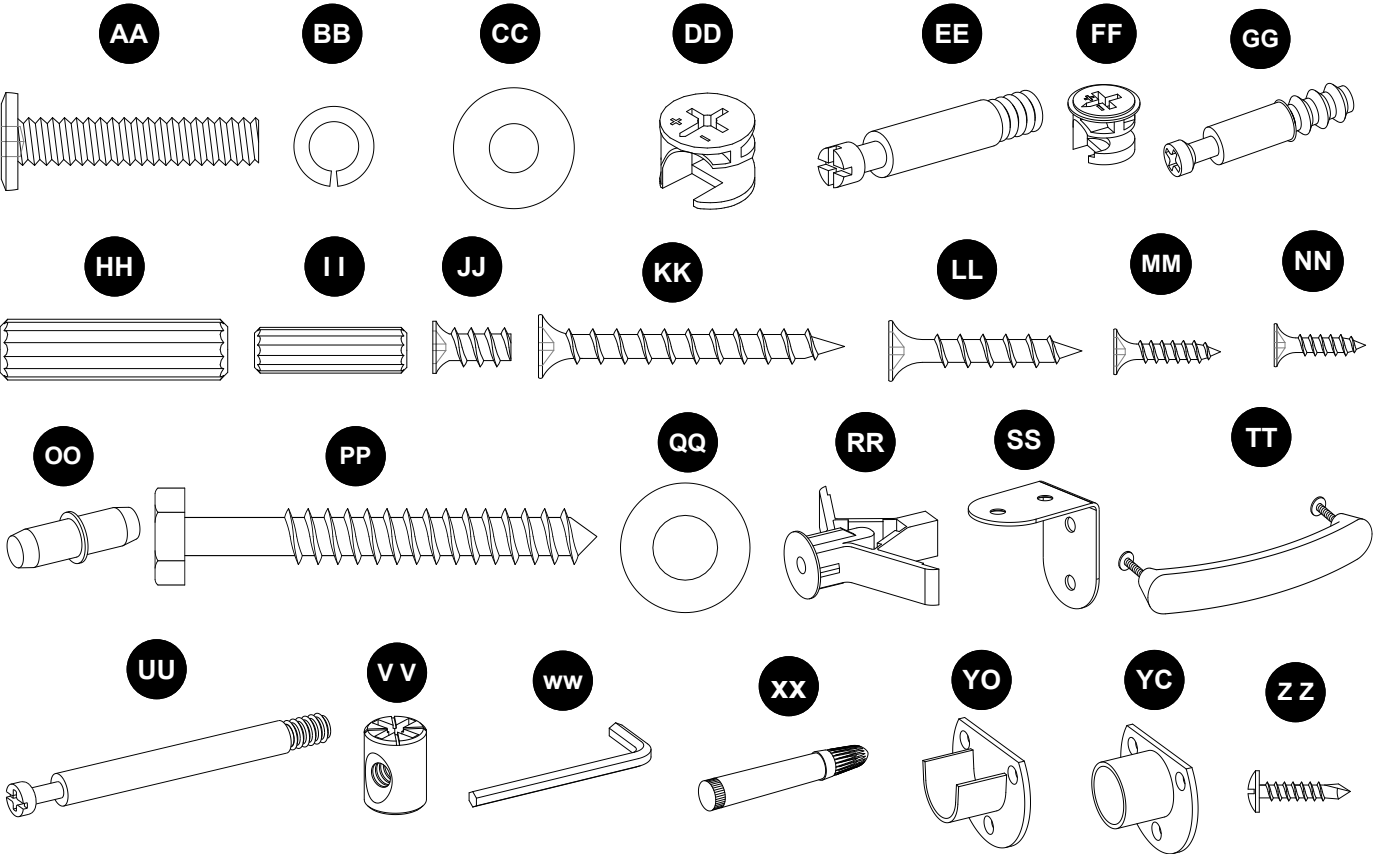
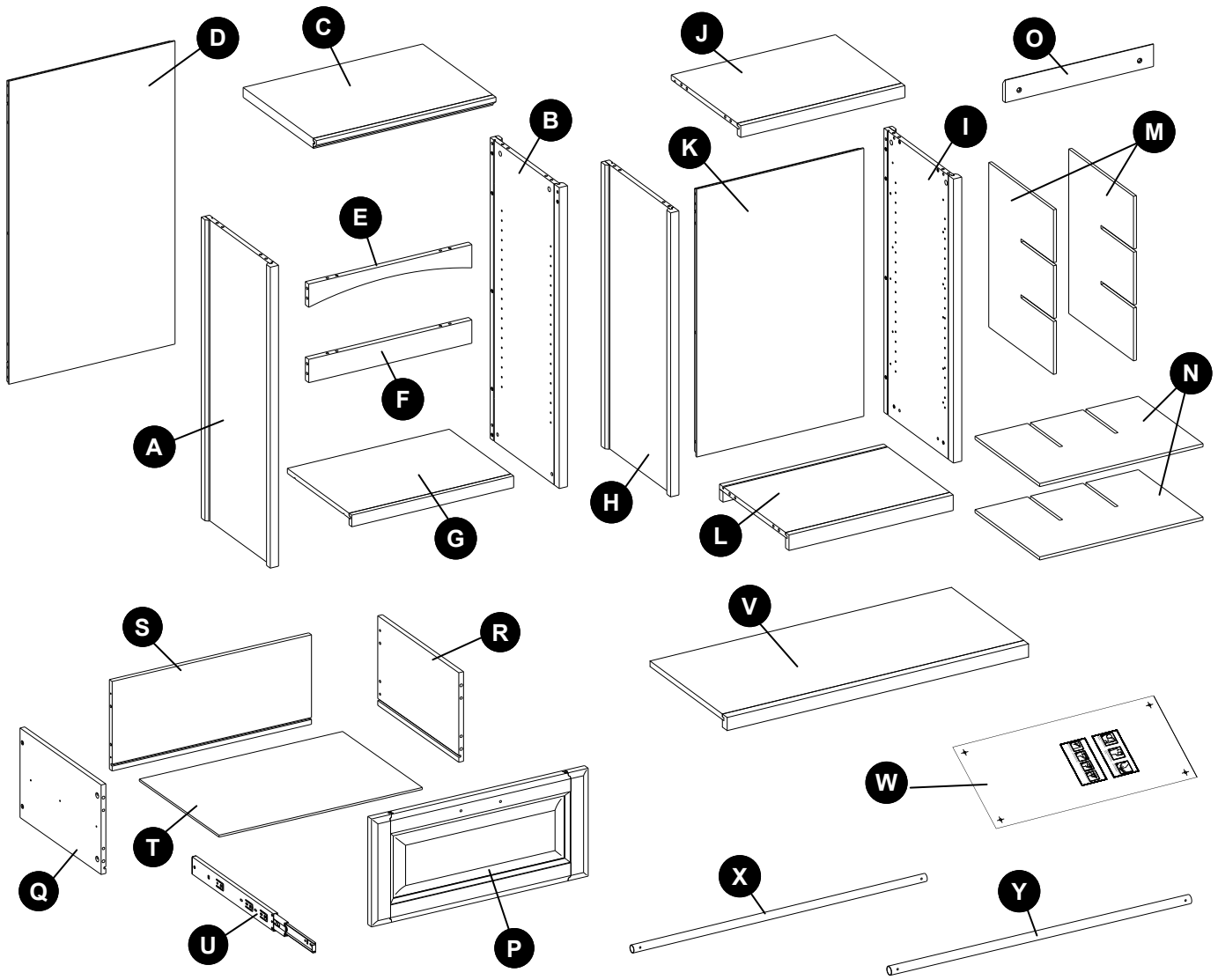
## REPLACEMENT PARTS LIST

---

For replacement parts, call our customer service department at 1-866-439-9800, 8 a.m. - 8 p.m., EST, Monday - Friday.

PART	DESCRIPTION	PART #
A	Hutch Panel Left	*WSWS-CS1C/W/P/S-1-HPL
B	Hutch Panel Right	*WSWS-CS1C/W/P/S-2-HPR
C	Hutch Panel Top	*WSWS-CS1C/W/P/S-3-HPT
D	Hutch Panel Back	*WSWS-CS1C/W/P/S-4-HPB
E	Front Curved Stretcher	*WSWS-CS1C/W/P/S-5-FCS
F	Front Straight Stretcher	*WSWS-CS1C/W/P/S-6-FCS
G	Adjustable Shelf	*WSWS-CS1C/W/P/S-7-AS
H	Base Panel Left	*WSWS-CS1C/W/P/S-8-BPL
I	Base Panel Right	*WSWS-CS1C/W/P/S-9-BPR
J	Base Panel Top	*WSWS-CS1C/W/P/S-10-BPT
K	Base Panel Back	*WSWS-CS1C/W/P/S-11-BPB
L	Base Panel Bottom	*WSWS-CS1C/W/P/S-12-BPB
M	Partition Panel	*WSWS-CS1C/W/P/S-13-PP
N	Shoe Shelf	*WSWS-CS1C/W/P/S-14-SDS
O	Wall Hanging Cleat	*WSWS-CS1C/W/P/S-15-WHC
P	Drawer Front	*WSWS-CS1C/W/P/S-16-DF
Q	Drawer Panel Left	*WSWS-CS1C/W/P/S-17-DPL
R	Drawer Panel Right	*WSWS-CS1C/W/P/S-18-DPR
S	Drawer Back	*WSWS-CS1C/W/P/S-19-DB

<b>PART</b>	<b>DESCRIPTION</b>	<b>PART #</b>
T	Drawer Bottom	*WSWS-CS1C/W/P/S-20-DB
U	Self Closing Slides	*WSWS-CS1C/W/P/S-21-SCS
V	Long Shelf	*WSWS-CS1C/W/P/S-23-LS
W	Installation Template	*WSWS-CS1C/W/P/S-52-IT
X	22 mm Metal Pole	*WSWS-CS1C/W/P/S-24-22MP
Y	25 mm Metal Pole	*WSWS-CS1C/W/P/S-25-25MP
AA	1/4 x 1-1/4 in. Bolt	*WSWS-CS1C/W/P/S-27-1 1/4B
BB	Lock Washer	*WSWS-CS1C/W/P/S-28-LW
CC	Flat Washer	*WSWS-CS1C/W/P/S-29-FW
DD	Large Cam Lock	*WSWS-CS1C/W/P/S-30-LCL
EE	Medium Cam Bolt	*WSWS-CS1C/W/P/S-31-MCB
FF	Small Cam Lock	*WSWS-CS1C/W/P/S-32-SCL
GG	Small Cam Bolt	*WSWS-CS1C/W/P/S-33-SCB
HH	Large Wood Dowel	*WSWS-CS1C/W/P/S-34-LWD
II	Small Wood Dowel	*WSWS-CS1C/W/P/S-35-SWD
JJ	M6 x 10 mm Screw	*WSWS-CS1C/W/P/S-36-M6X10S
KK	M4 x 38 mm Wood Screw	*WSWS-CS1C/W/P/S-37-38WS
LL	M4 x 25 mm Wood Screw	*WSWS-CS1C/W/P/S-38-25WS
MM	M4 x 14 mm Wood Screw	*WSWS-CS1C/W/P/S-39-14WS
NN	M3.5 x 12 mm Wood Screw	*WSWS-CS1C/W/P/S-40-12FHWS
OO	Shelf Pin	*WSWS-CS1C/W/P/S-41-SP
PP	M8 x 2-1/2 in. Lag Bolt	*WSWS-CS1C/W/P/S-42-2 1/2LB
QQ	Large Flat Washer	*WSWS-CS1C/W/P/S-43-LFW
RR	Wall Anchor	*WSWS-CS1C/W/P/S-44-WA
SS	L Bracket	*WSWS-CS1C/W/P/S-45-LB
TT	Drawer Handle and Bolts	*WSWS-CS1C/W/P/S-22-DHB
UU	Large Cam Bolt	*WSWS-CS1C/W/P/S-53-LCB
VV	Barrel Nut	*WSWS-CS1C/W/P/S-54-BN
WW	M4 Allen Wrench	*WSWS-CS1C/W/P/S-46-M4AW
XX	Touch-up Pen	*WSWS-CS1C/W/S-50-TUP
YO	Open Pole Holder	*WSWS-CS1C/W/P/S-48-OPH
YC	Closed Pole Holder	*WSWS-CS1C/W/P/S-49-CPH
ZZ	M4 x 15 mm Self-tapping Screw	*WSWS-CS1C/W/P/S-47-15SS
	Complete Hardware	*WSWS-CS1C/W/P/S-48-CH



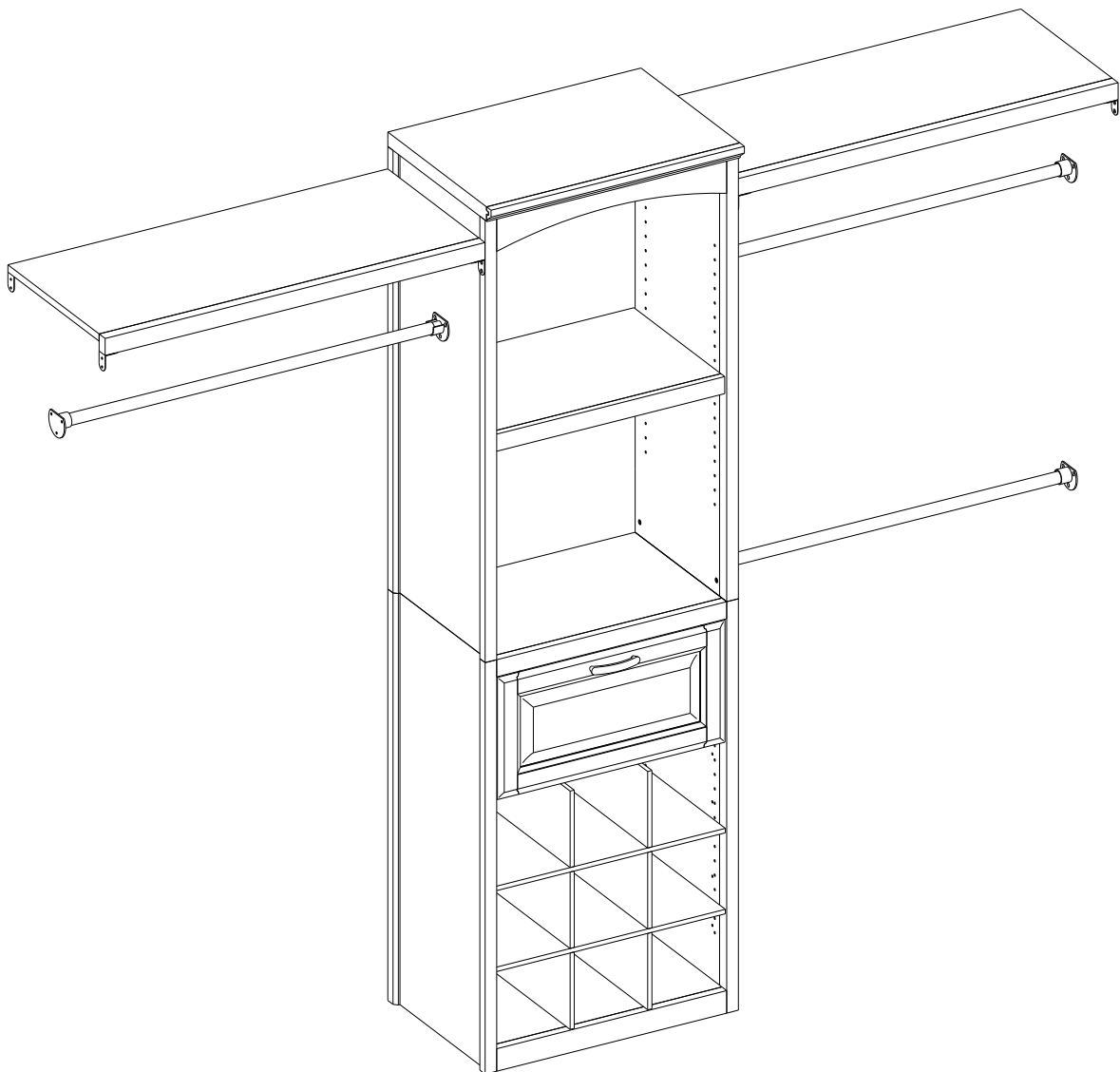
Printed in Vietnam



ARTICLES N° 0339203, 0339204, 0339205, 0339206

# ENSEMBLE COMPLET POUR PLACARD

MODÈLE N° WSWC-CS1C, WSWC-CS1W  
WSWC-CS1P, WSWC-CS1S



**JOINDRE VOTRE REÇU ICI**

Numéro de série \_\_\_\_\_

Date d'achat \_\_\_\_\_



**Question, problèmes, pièces manquantes ?** Avant de retourner au détaillant, communiquer avec notre service à la clientèle au 1-866-439-9800 entre 8 h 00 et 20 h 00, Heure de l'Est, du lundi au vendredi.



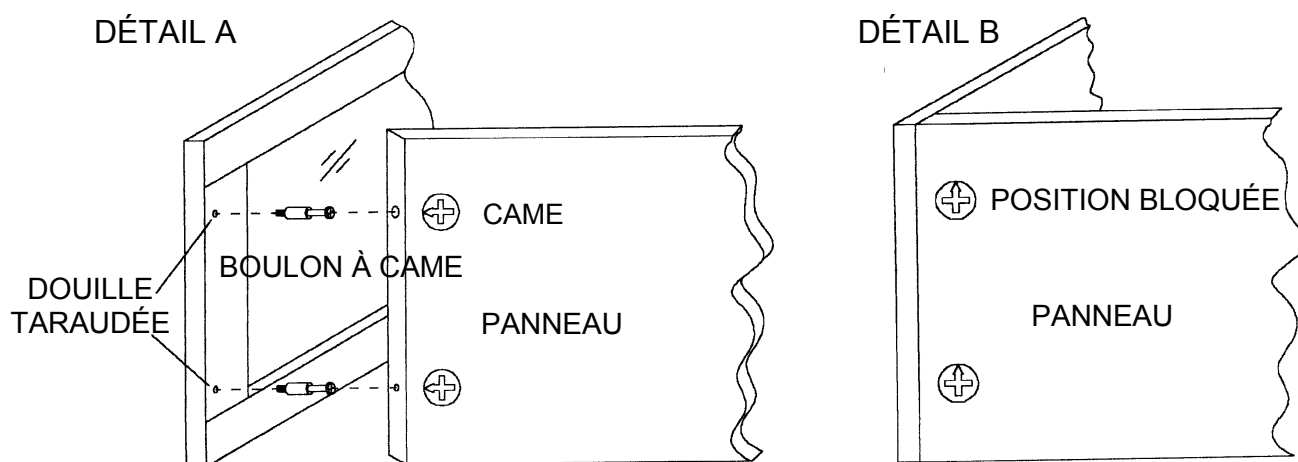
## TABLE DES MATIÈRES

---

Fonctionnement du système à came .....	25
Contenu de la boîte .....	26
Contenu de la quincaillerie .....	27
Consignes de sécurité .....	29
Préparation .....	29
Directives de montage .....	30
Soin et entretien .....	43
Diagnostic .....	43
Garantie .....	44
Liste des pièces de remplacement .....	44

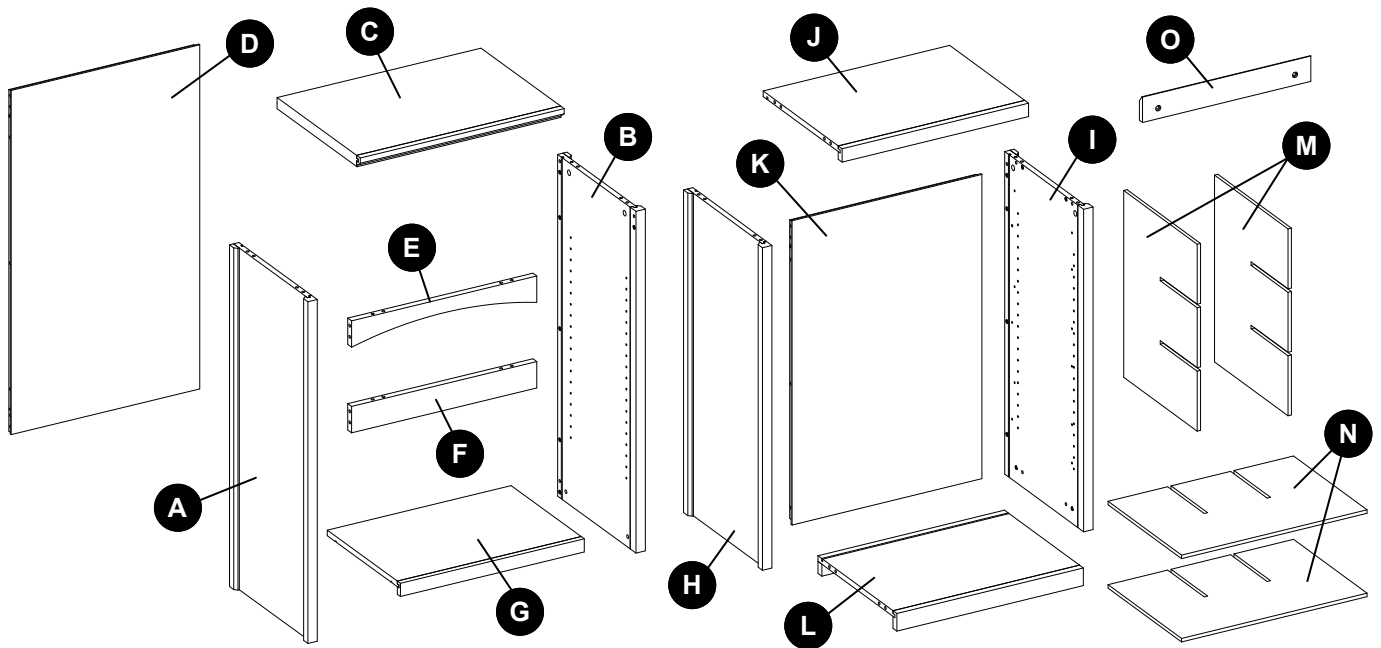
## FONCTIONNEMENT DU SYSTÈME À CAME

---



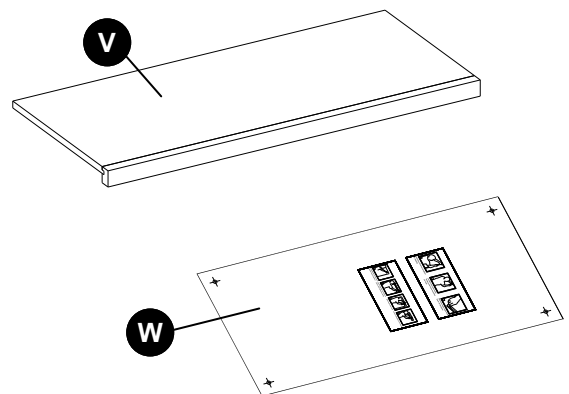
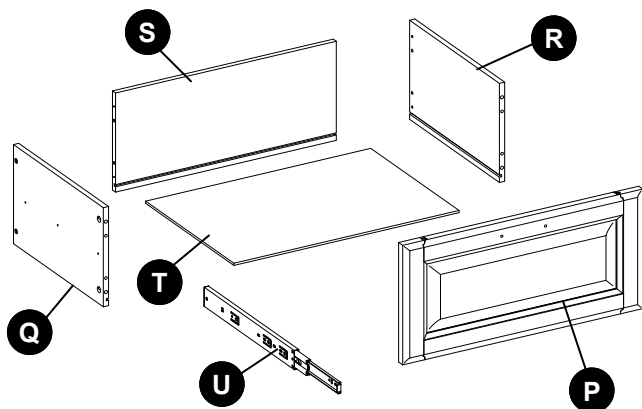
1. Visser un boulon à came dans le petit trou déjà percé sur le panneau.
2. Insérer la came dans le grand trou déjà percé sur le panneau.
3. S'assurer que la flèche sur la came soit orientée vers le boulon à came.
4. Relier les deux panneaux en s'assurant que le boulon à came s'insère dans le trou déjà percé à l'extrémité du panneau avec la came.
5. Une fois le boulon à came en place, tourner la came dans le sens des aiguilles d'une montre pour serrer avec un tournevis à pointe cruciforme.

## CONTENU DE LA BOÎTE



PIÈCE	DESCRIPTION	QTÉ
A	Panneau gauche de huche	1
B	Panneau droit de huche	1
C	Panneau supérieur de huche	1
D	Panneau arrière de huche	1
E	Entretoise avant courbée	1
F	Entretoise avant droite	1
G	Tablette réglable	1

PIÈCE	DESCRIPTION	QTÉ
H	Panneau gauche de la base	1
I	Panneau droit de la base	1
J	Panneau supérieur de la base	1
K	Panneau arrière de la base	1
L	Panneau inférieur de la base	1
M	Cloison	2
N	Tablette à chaussures	2
O	Tasseau de suspension	2

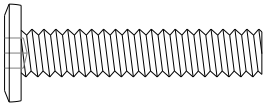


PIÈCE	DESCRIPTION	QTÉ
P	Devant de tiroir	1
Q	Panneau gauche de tiroir	1
R	Panneau droit de tiroir	1
S	Arrière de tiroir	1
T	Fond de tiroir	1
U	Glissières à fermeture automatique	2

PIÈCE	DESCRIPTION	QTÉ
V	Longue tablette	2
W	Gabarit d'installation	1

## CONTENU DE LA QUINCAILLERIE

AA



Boulon  $\frac{1}{4}$  x  $1 \frac{1}{4}$   
po

Qté 12

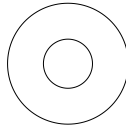
BB



Rondelle  
frein

Qté 12

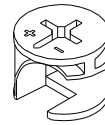
CC



Rondelle  
plate

Qté 12

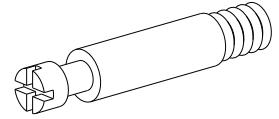
DD



Grande  
came

Qté 34

EE



Medium boulon  
à came

Qté 30

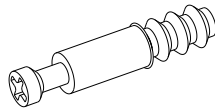
FF



Petite  
came

Qté 4

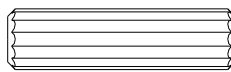
GG



Petit boulon  
à came

Qté 4

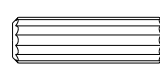
HH



Grand goujon  
de bois

Qté 34

II



Petit goujon  
de bois

Qté 8

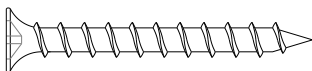
JJ



Vis  
M6 x 10 mm

Qté 4

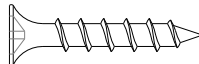
KK



Vis à bois  
M4 x 38 mm

Qté 8

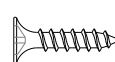
LL



Vis à bois  
M4 x 25 mm

Qté 4

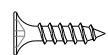
MM



Vis à bois  
M4 x 14 mm

Qté 24

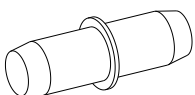
NN



Vis à bois  
M3,5 x 12 mm

Qté 6

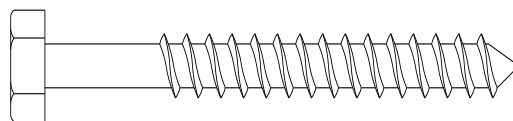
OO



Taquet de  
tablette

Qté 4

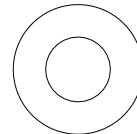
PP



Tire-fond  
M8 x  $2 \frac{1}{2}$  po

Qté 4

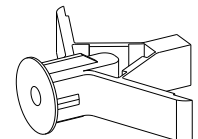
QQ



Grande  
rondelle plate

Qté 4

RR



Ancrage  
mural

Qté 8

## CONTENU DE LA QUINCAILLERIE

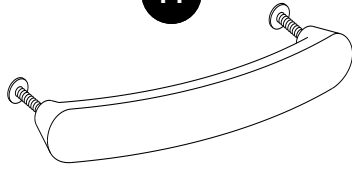
SS



Support en L

Qté 8

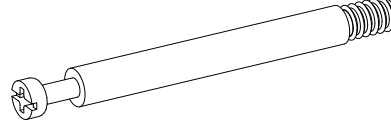
TT



Poignée de tiroir et boulons

Qté 1

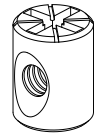
UU



Grand boulon à came

Qté 4

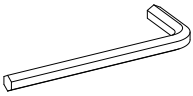
VV



Écrou cylindrique

Qté 4

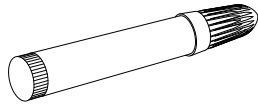
ww



Clé hexagonale M4

Qté 1

xx

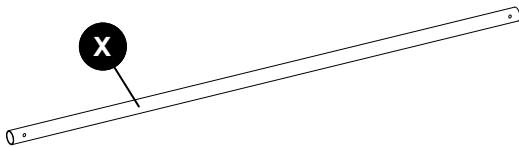


Crayon à retouche

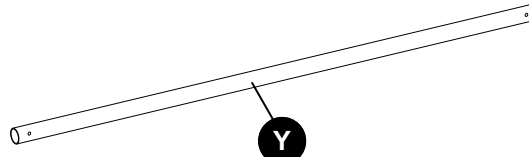
Qté 1  
(non inclus pour article n° 0339205)

## CONTENU DE LA BOÎTE (tringle)

X



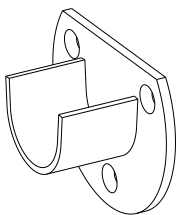
Y



PIÈCE	DESCRIPTION	QUANTITÉ
X	Tringle en métal 22 mm	3
Y	Tringle en métal 25 mm	3

## CONTENU DE LA QUINCAILLERIE (pour la trousse de tringle)

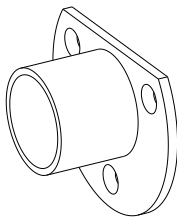
YO



Support de tringle ouvert

Qté 3

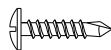
YC



Support de tringle fermé

Qté 3

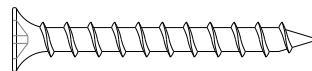
ZZ



Vis autotaraudeuse M4 x 15 mm

Qté 6

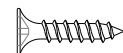
KK



Vis à bois M4 x 38 mm

Qté 18

MM



Vis à bois M4 x 14 mm

Qté 9

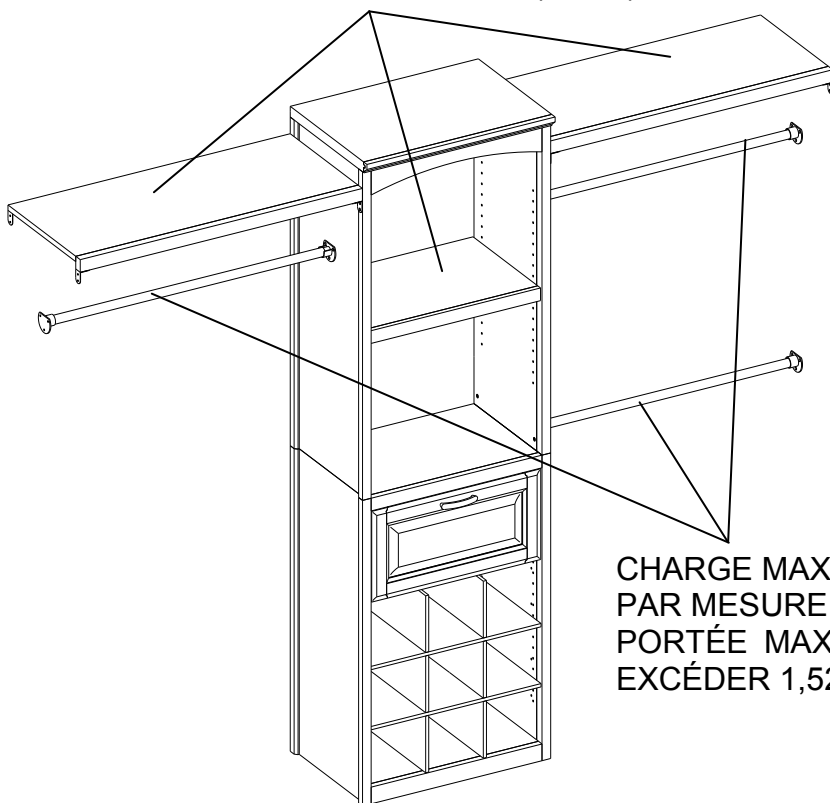


## CONSIGNES DE SÉCURITÉ

Lire et comprendre le présent guide avant de procéder au montage.

1. Ne pas laisser les enfants grimper ni jouer sur ou autour de ce produit.
2. Utiliser cette unité pour l'usage visé seulement. Ne pas utiliser les tablettes pour grimper.
3. Pour éviter les dommages, assembler le produit sur une surface solide, de niveau et protégée.
4. Au moins deux personnes doivent travailler ensemble pour installer l'unité sur le mur.
5. S'assurer que tous les boulons et les vis soient serrés à fond avant d'utiliser l'unité.
6. Vérifier les boulons et les vis régulièrement et serrer, au besoin.

CHARGE MAXIMALE : 13,6 KG (30 LB)



CHARGE MAXIMALE 18,14 KG (40 LB)  
PAR MESURE DE SÉCURITÉ, LA  
PORTÉE MAXIMALE NE DOIT PAS  
EXCÉDER 1,52 M (60 PO)

## ⚠ AVERTISSEMENT

CETTE UNITÉ EST DESTINÉE À ÊTRE UTILISÉE UNIQUEMENT AVEC LES POIDS MAXIMAUX INDICQUÉS. L'UTILISATION AVEC DES PRODUITS PLUS LOURDS QUE LES POIDS MAXIMAUX INDICQUÉS PEUT RENDRE L'UNITÉ INSTABLE ET CAUSER DES BLESSURES. RÉPARTIR LE POIDS ÉGALEMENT.

### PRÉPARATION

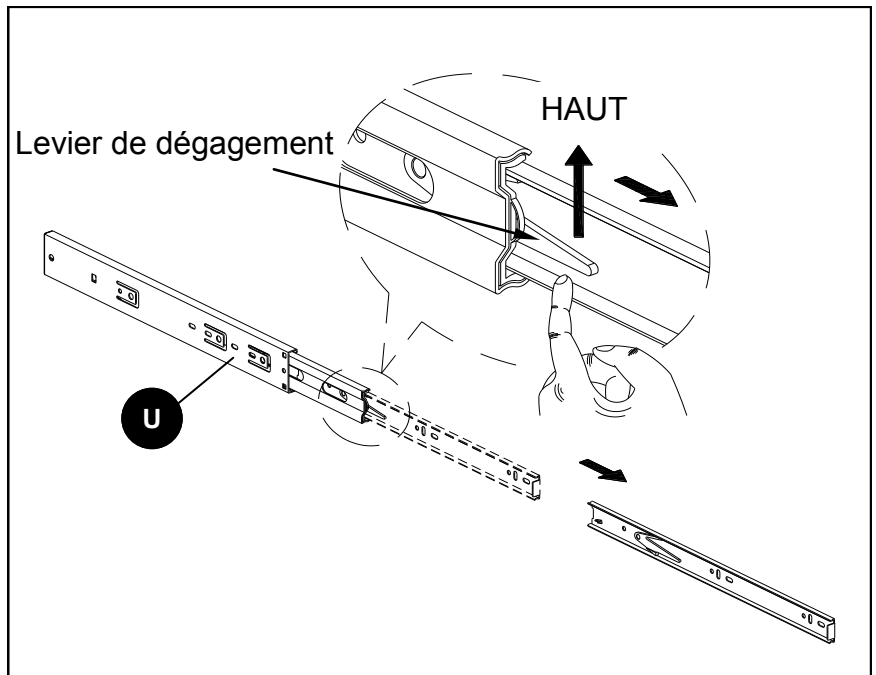
Avant de débuter l'installation du produit, s'assurer d'avoir toutes les pièces. Comparer les pièces avec la liste des pièces et de la quincaillerie. En cas de pièce manquante ou endommagée, ne pas tenter d'assembler, d'installer ni d'utiliser le produit. Communiquer avec le service à la clientèle pour obtenir des pièces de remplacement.

**Durée approximative du montage : 120 minutes**

Outils requis pour le montage (non inclus) : tournevis à pointe cruciforme, perceuse, mèche 4,8 mm (3/16 po), mèche 9,5 mm (3/8 po), clé à douille 1,3 cm (1/2 po), niveau, détecteur de montant, crayon, ruban à mesurer, échelle et marteau.

## Étape 1

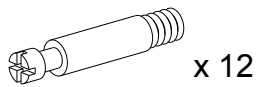
Montage de la base



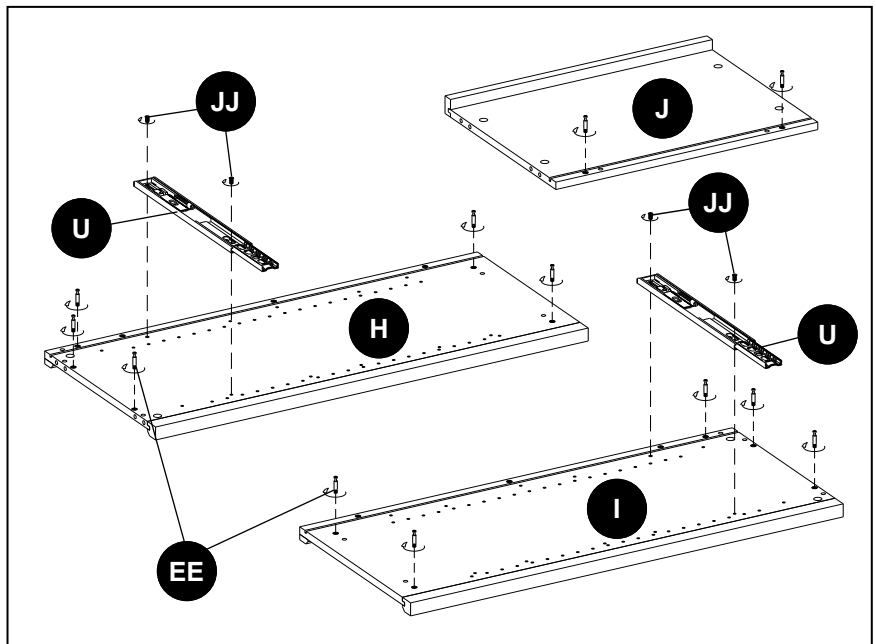
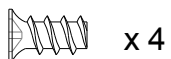
## Étape 2

Montage de la base

**EE** Medium boulon à came



**JJ** Vis M6 x 10 mm



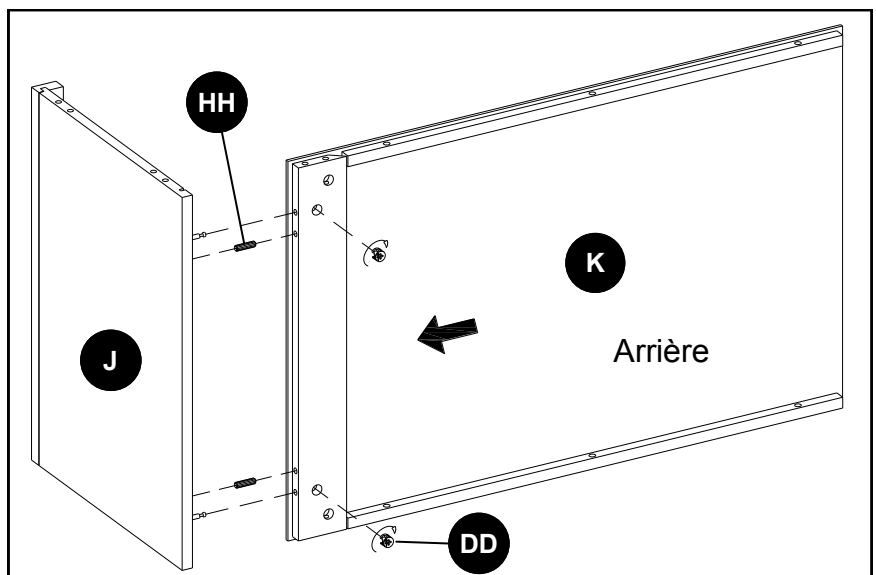
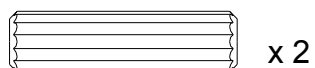
## Étape 3

Montage de la base

**DD** Grande came



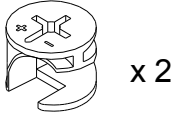
**HH** Grand goujon de bois



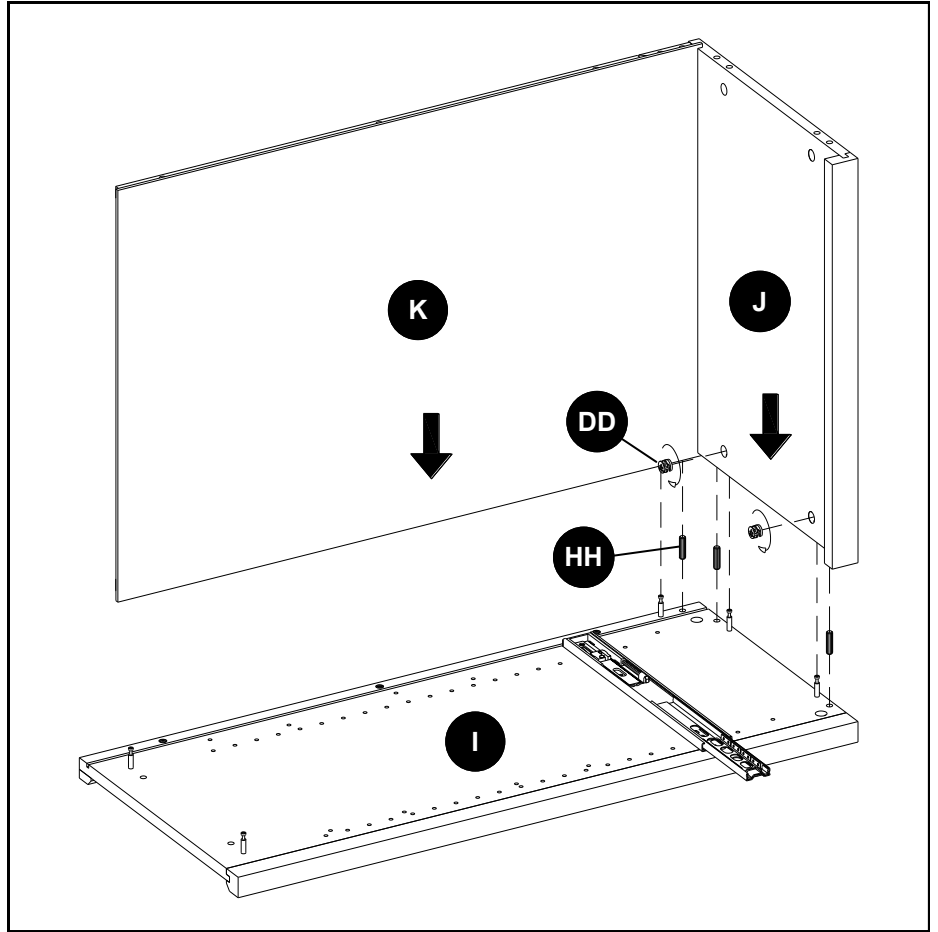
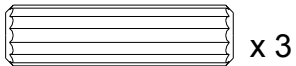
## Étape 4

### Montage de la base

**DD** Grande Came



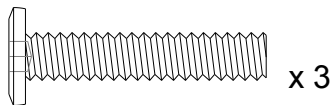
**HH** Grand goujon de bois



## Étape 5

### Montage de la base

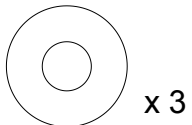
**AA** Boulon  $\frac{1}{4}$  x  $1 \frac{1}{4}$  po



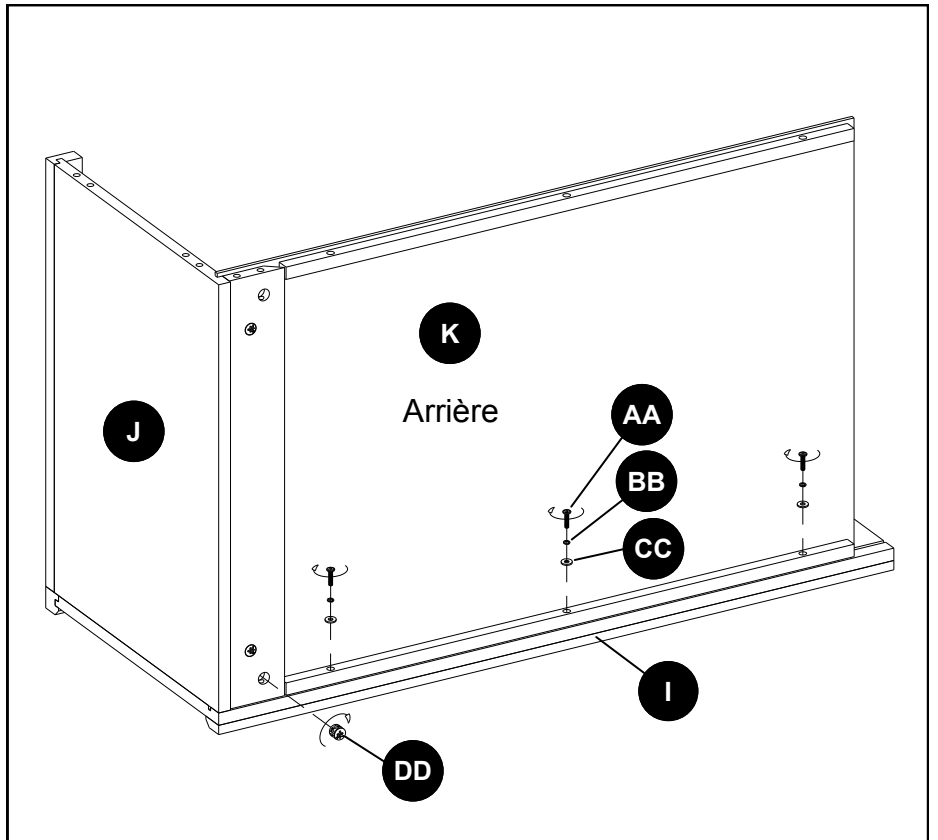
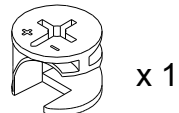
**BB** Rondelle frein



**CC** Rondelle plate



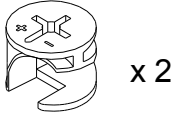
**DD** Grande came



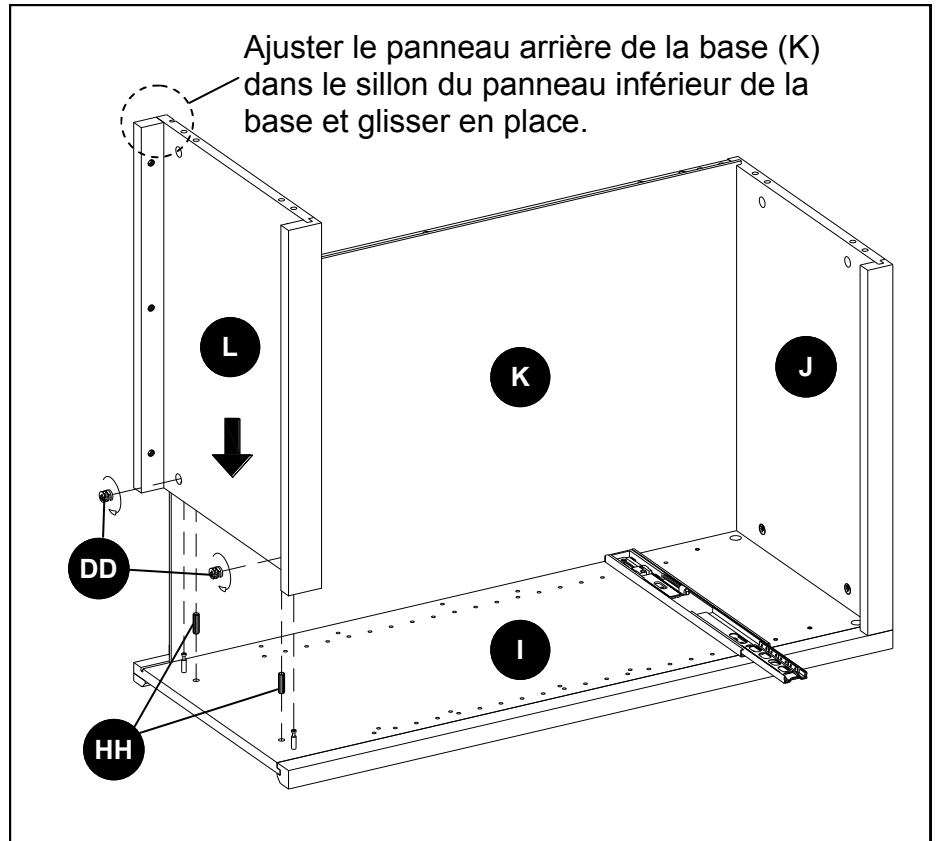
## Étape 6

### Montage de la base

**DD** Grande came



**HH** Grand goujon de bois



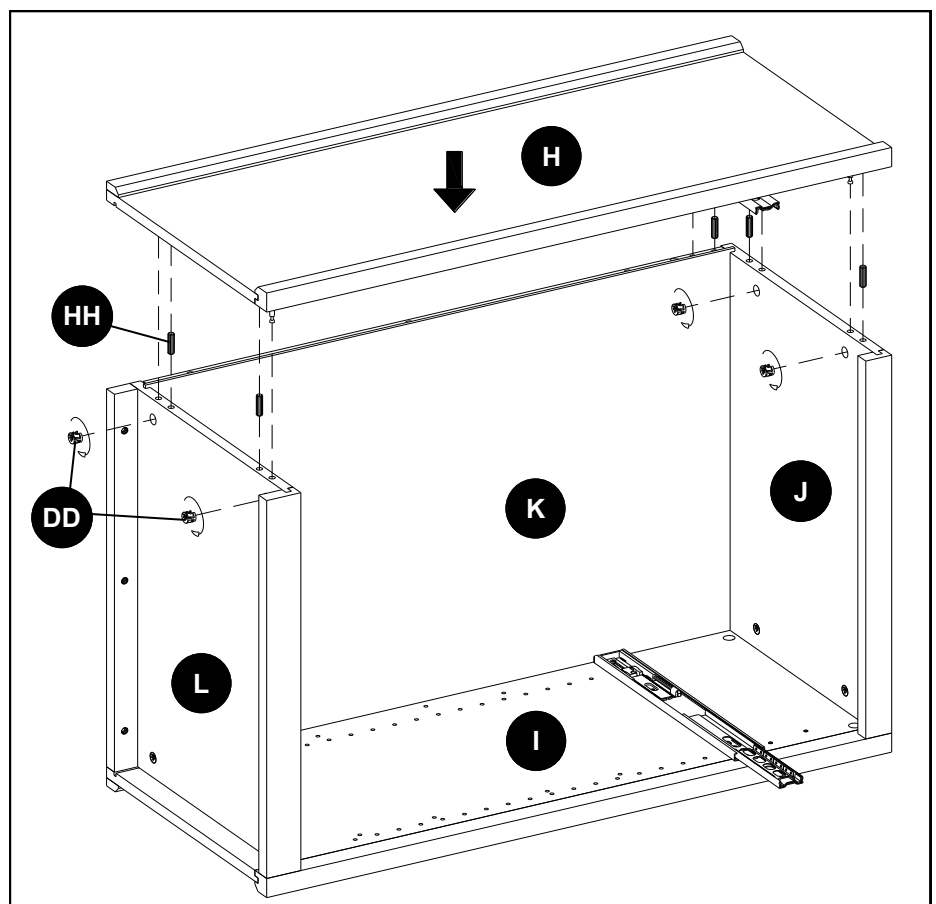
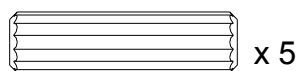
## Étape 7

### Montage de la base

**DD** Grande came



**HH** Grand goujon de bois

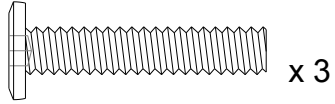




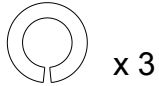
## Étape 8

### Montage de la base

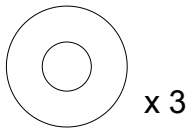
**AA** Boulon  $\frac{1}{4}$  x  $1\frac{1}{4}$  po



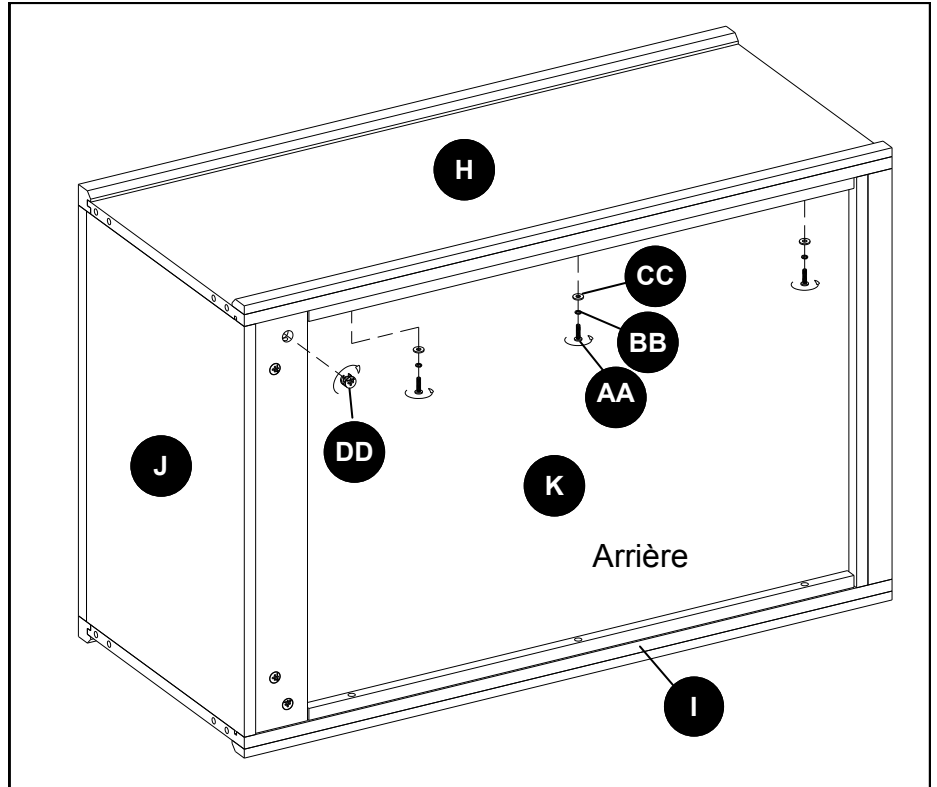
**BB** Rondelle frein



**CC** Rondelle plate



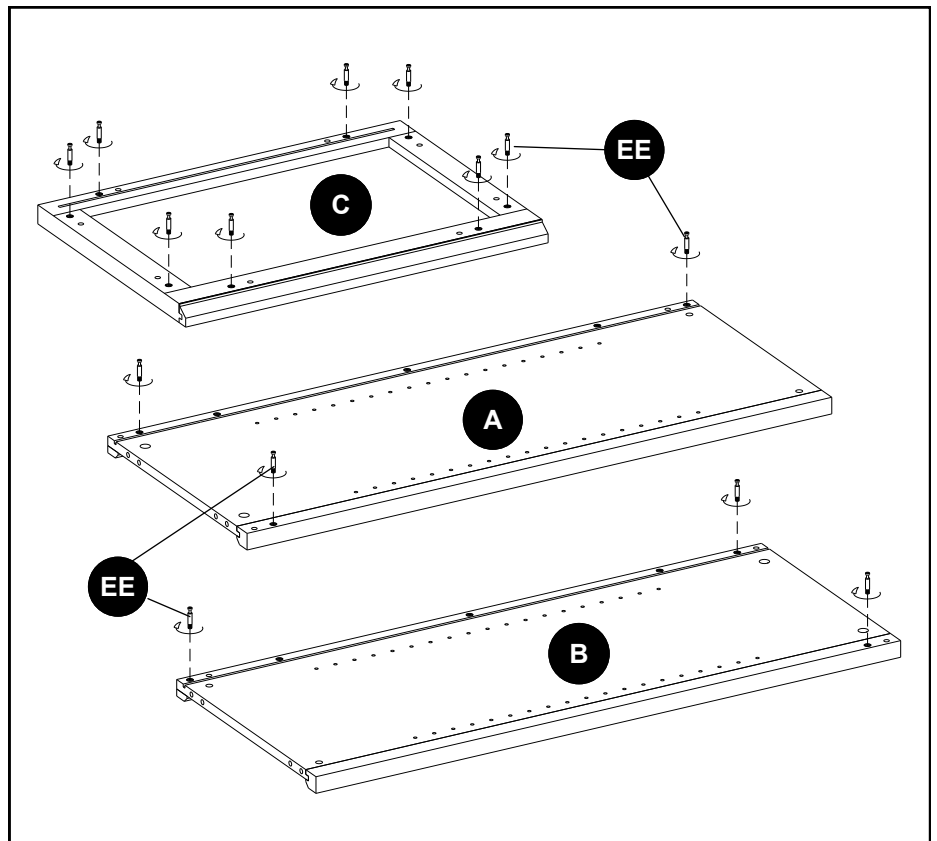
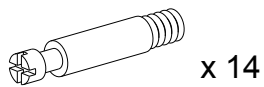
**DD** Grande came



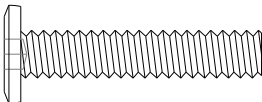

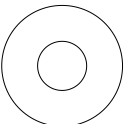
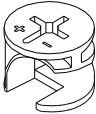
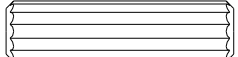
## Étape 1

### Montage de la huche

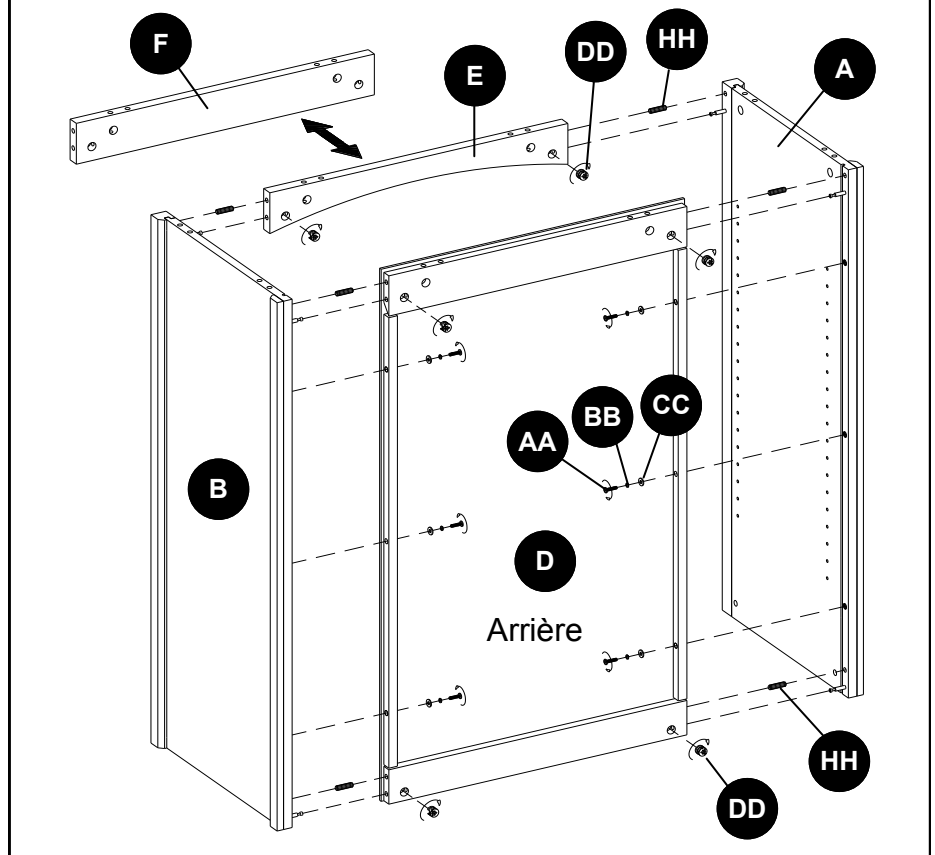
**EE** Medium boulon à came



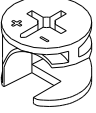
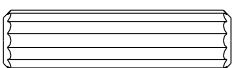
**Étape 2**  
Montage de la huche

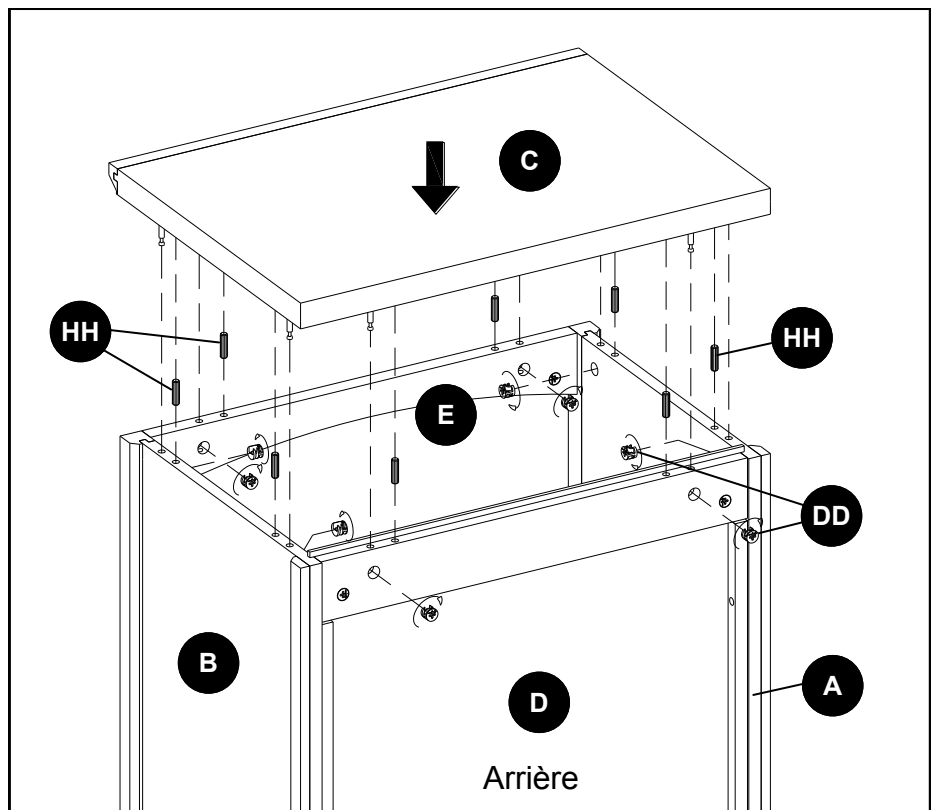
- AA** Boulon  $\frac{1}{4}$  x  $1\frac{1}{4}$  po  
 x 6
- BB** Rondelle frein  
 x 6
- CC** Rondelle plate  
 x 6
- DD** Grande came  
 x 6
- HH** Grand goujon de bois  
 x 6

Choisir l'entretoise avant courbée (E) ou l'entretoise avant droite (F) selon l'aspect de votre placard et assembler selon les directives plus bas.



**Étape 3**  
Montage de la huche

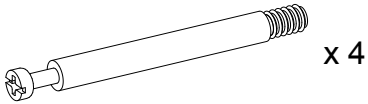
- DD** Grande came  
 x 8
- HH** Grand goujon de bois  
 x 8



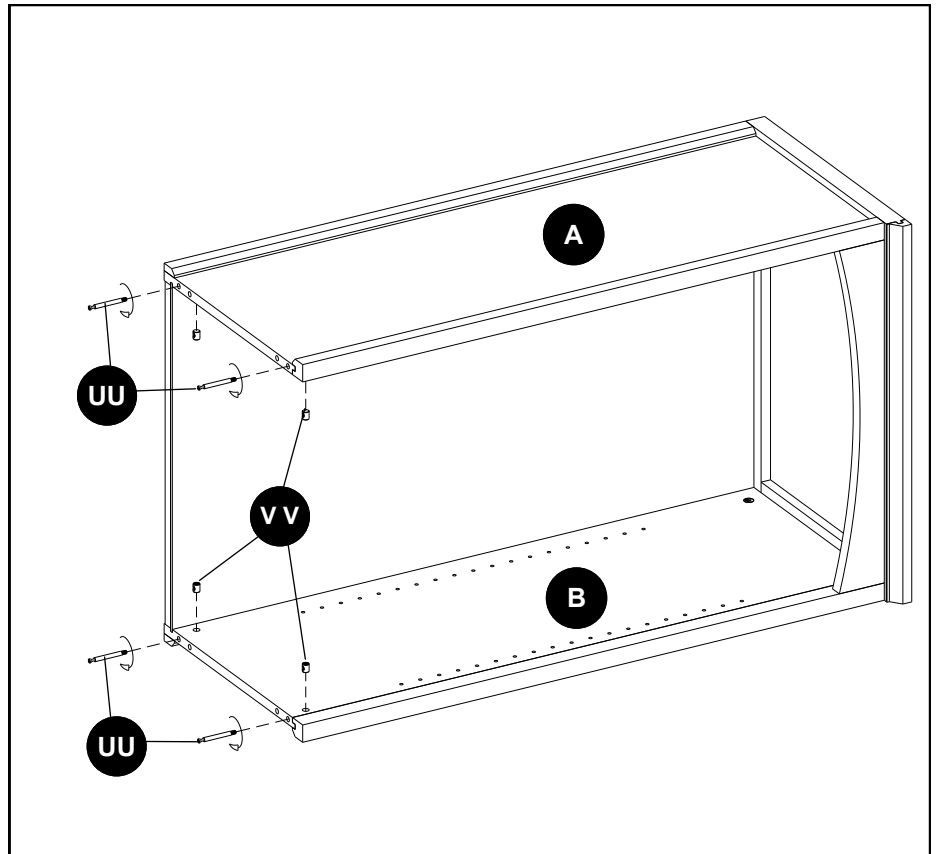
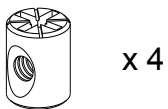
## Étape 4

### Montage de la huche

**UU** Grand boulon à came



**vv** Écrou cylindrique



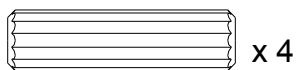
## Étape 5

### Montage de la huche

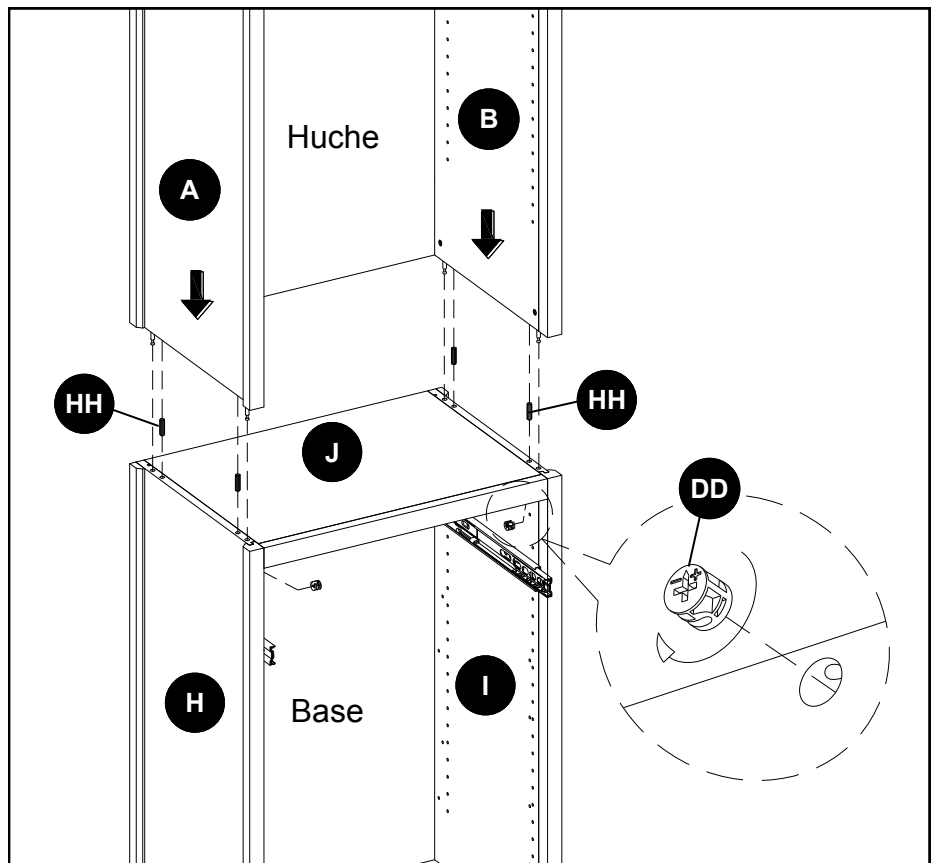
**DD** Grande came



**HH** Grand goujon de bois



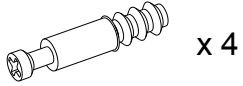
NOTE : Demander de l'aide pour cette étape.



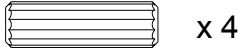
## Étape 1

### Montage du tiroir

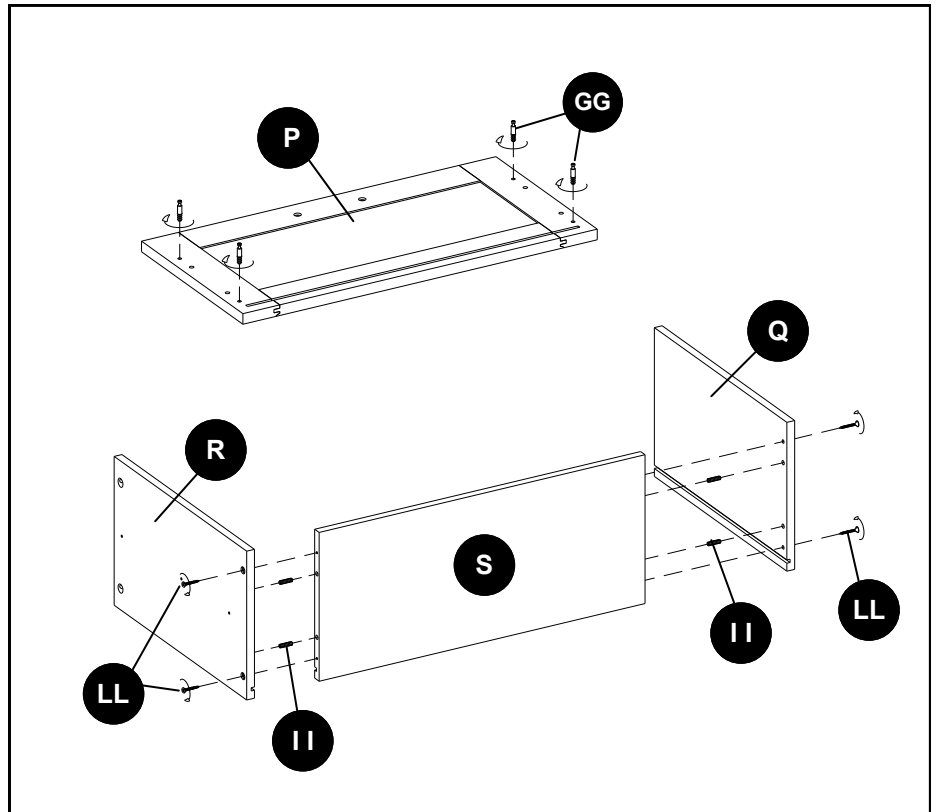
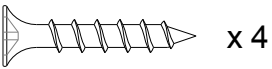
**GG** Petit boulon à came x 4



**II** Petit goujon de bois x 4

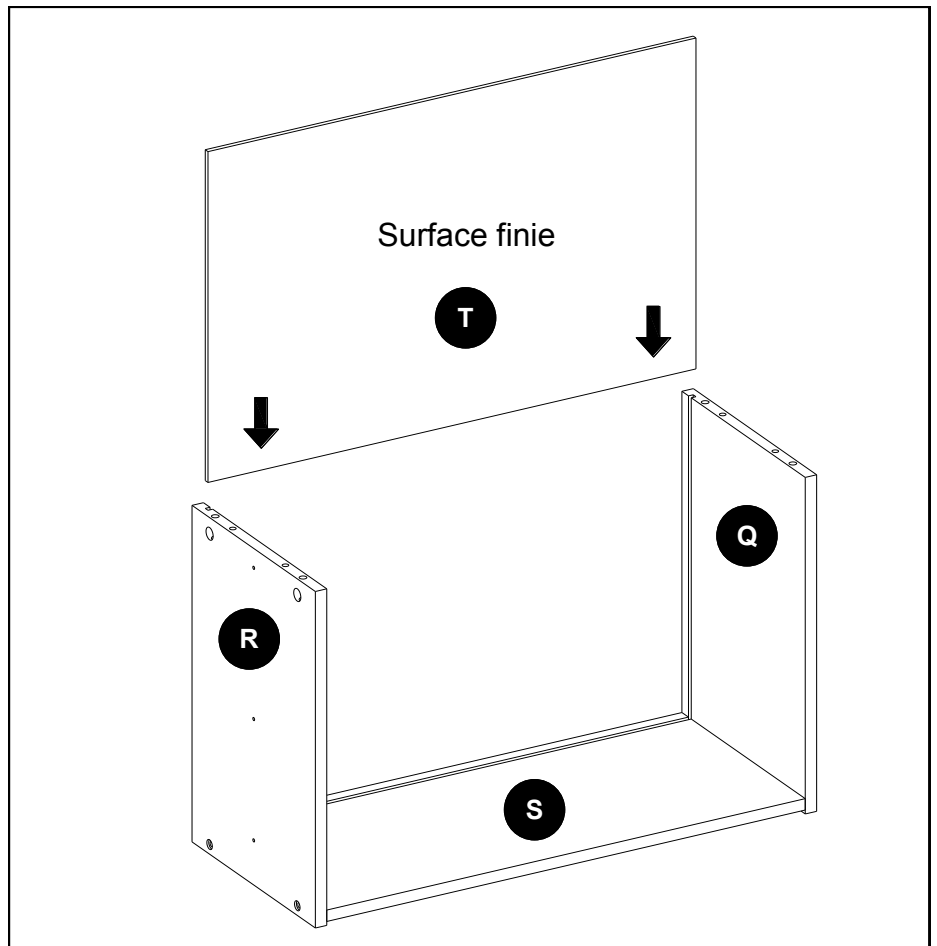


**LL** Vis à bois M4 x 25 mm x 4



## Étape 2

### Montage du tiroir



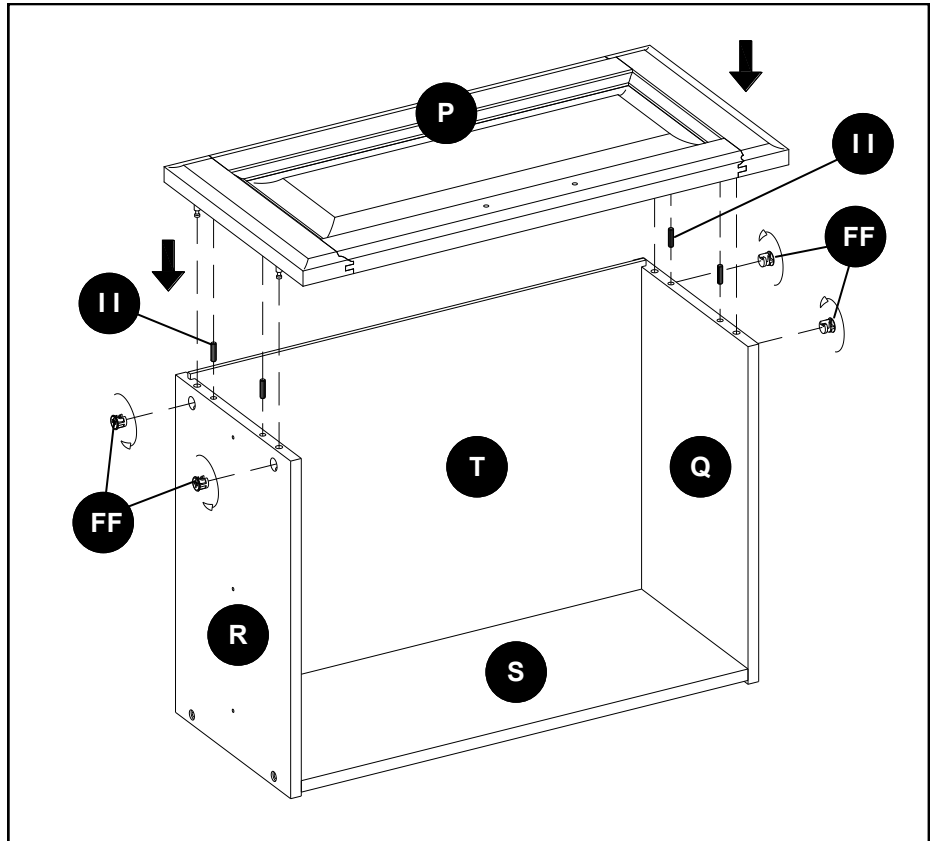
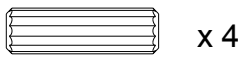
### Étape 3

#### Montage du tiroir

**FF** Petite came



**II** Petit goujon de bois



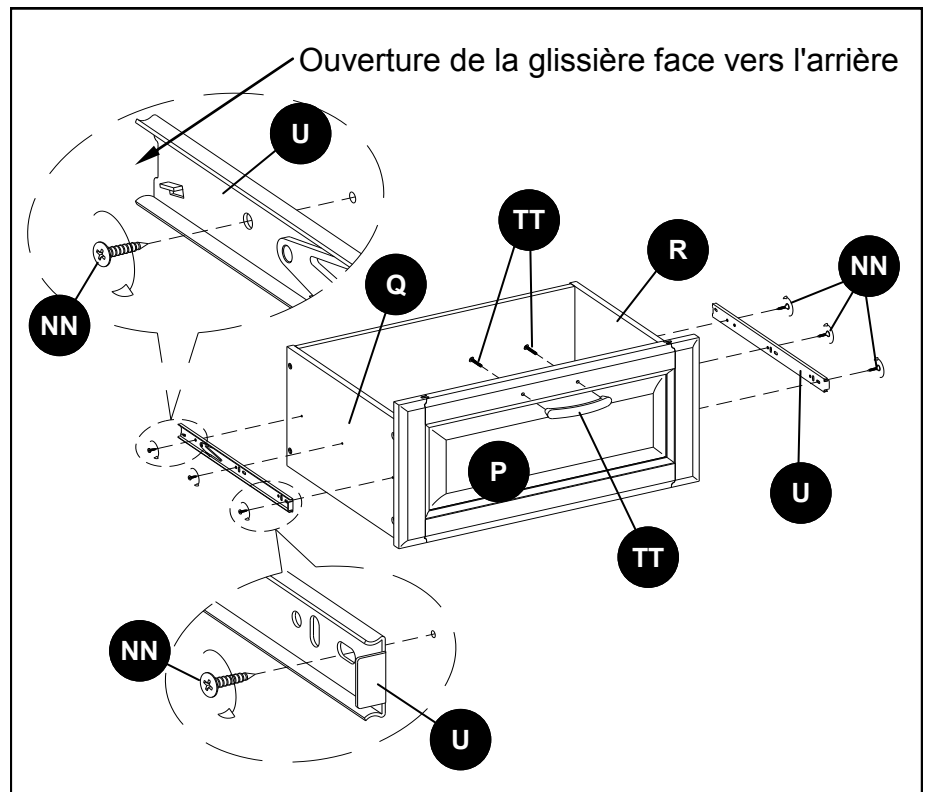
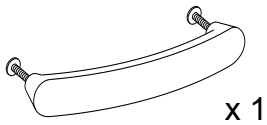
### Étape 4

#### Montage du tiroir

**NN** Vis à bois M3,5 x 12 mm



**TT** Poignée et boulons de tiroir

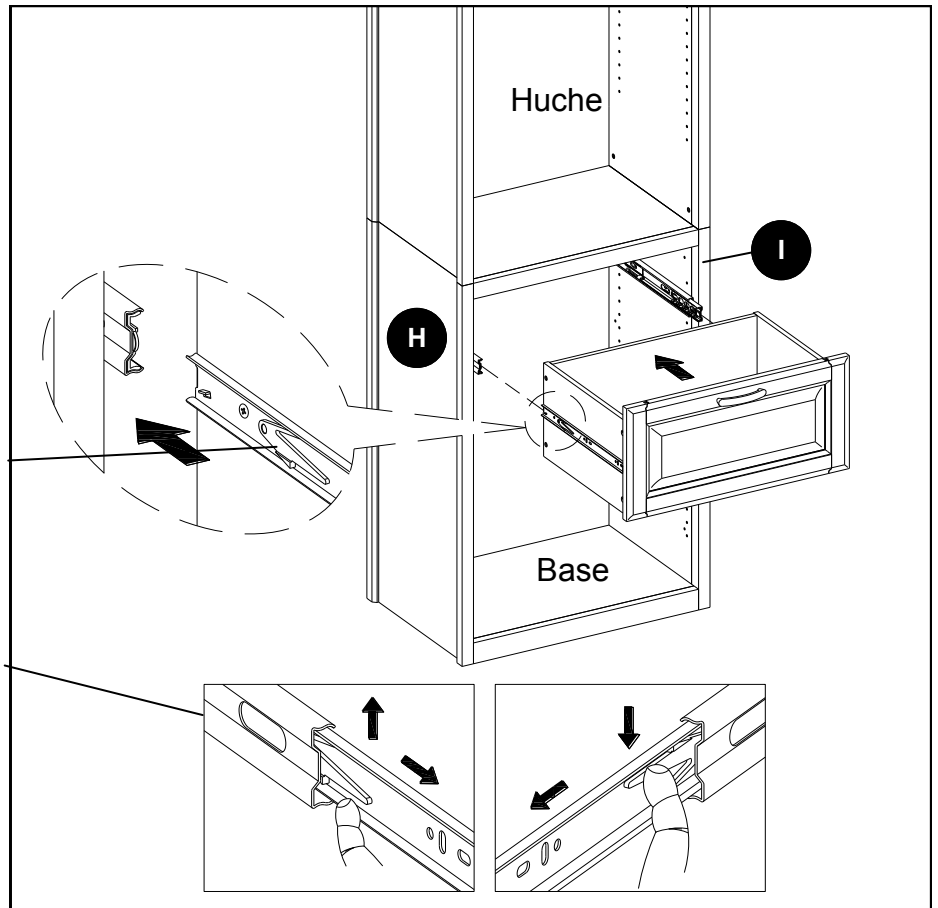


## Étape 5

### Montage du tiroir

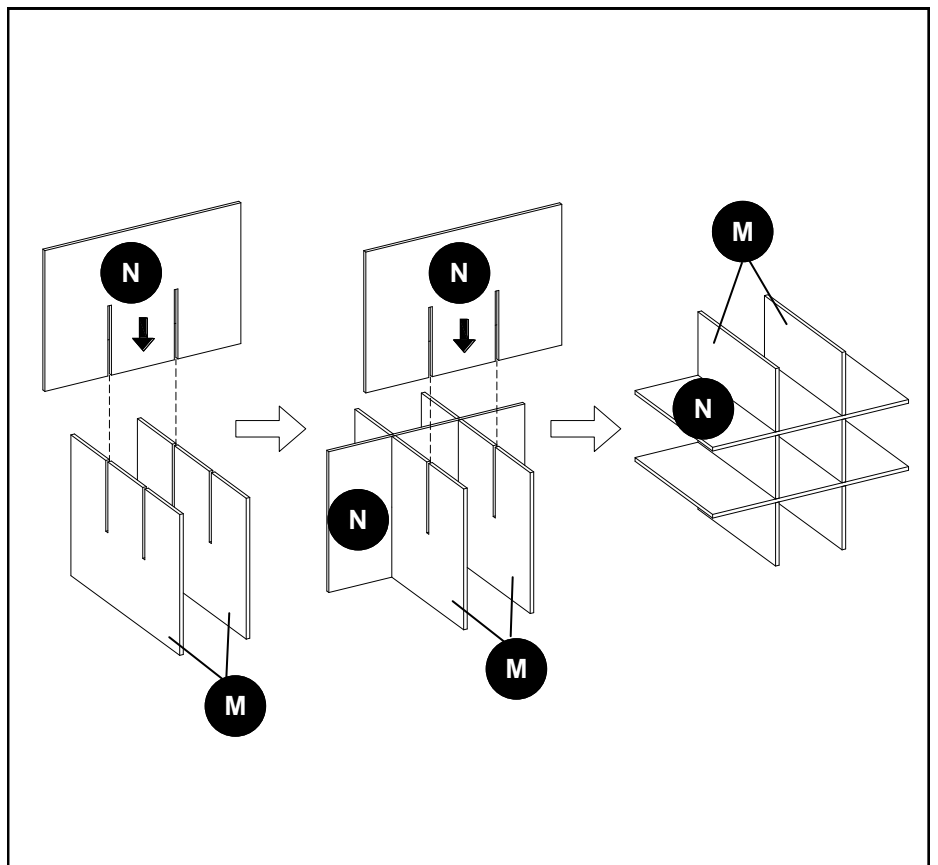
Appuyer sur le levier de dégagement en insérant le tiroir.

Si le tiroir doit être retiré, l'ouvrir complètement et appuyer sur le levier de dégagement vers le haut d'un côté et le bas de l'autre côté et retirer le tiroir.



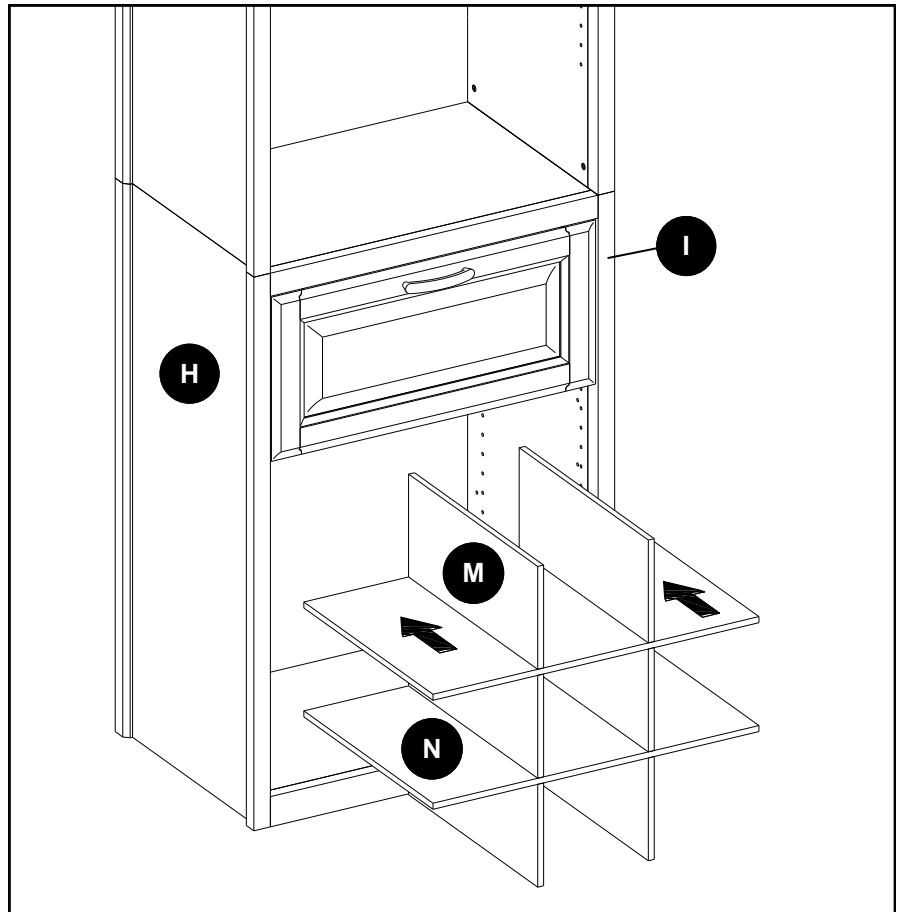
## Étape 1

### Montage de la cloison à chaussures



## Étape 2

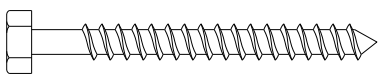
### Montage de la cloison



## Étape 1

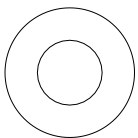
### Installation au mur

**PP** Tire-fond M8 x 2 ½ po



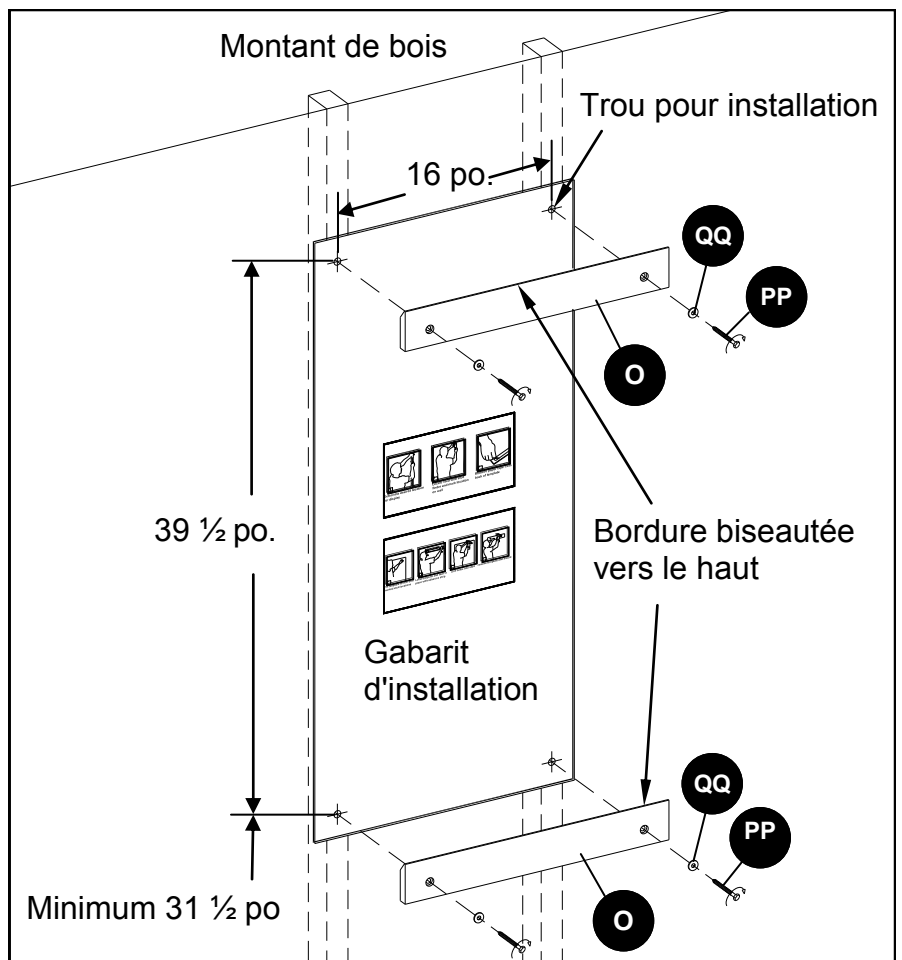
x 4

**QQ** Grande rondelle plate



x 4

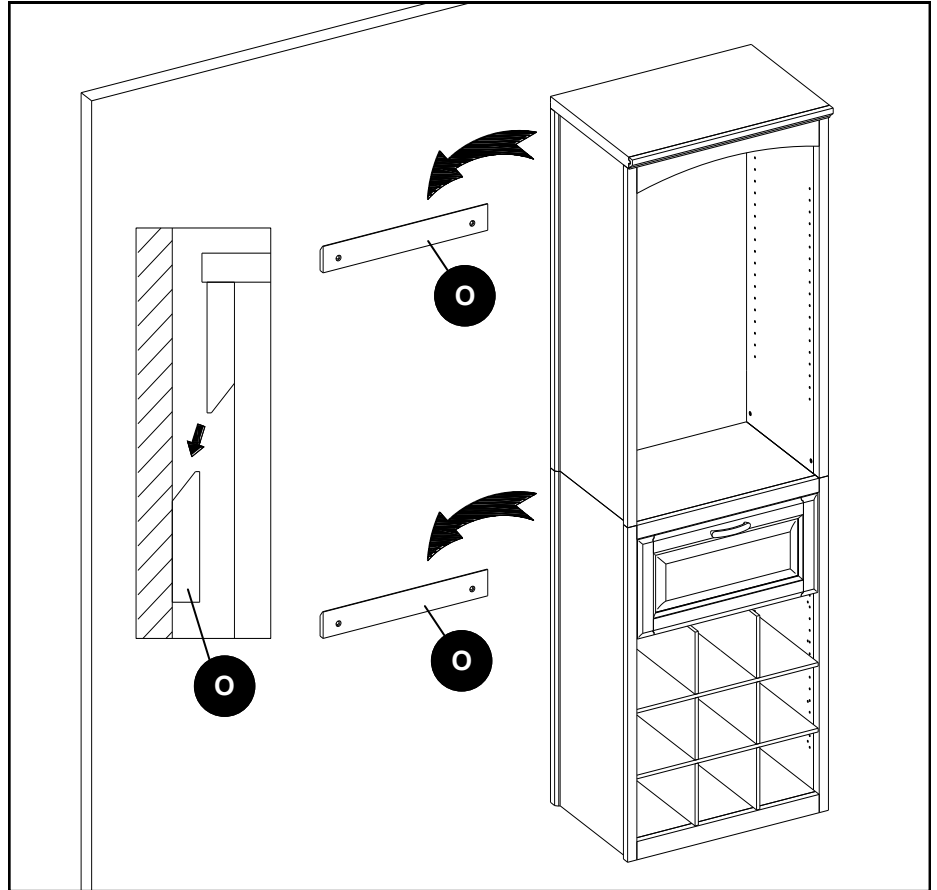
Placer le gabarit d'installation (W) à l'emplacement désiré et suivre attentivement les directives du gabarit pour indiquer l'emplacement des trous pour l'installation. S'assurer que l'emplacement des deux trous inférieurs soit à plus de 31 ½ po du plancher. Percer des trous de 2 ½ po de profondeur avec une mèche de perceuse 3/16 po à l'emplacement indiqué.



## Étape 2

### Installation au mur

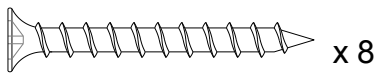
NOTE : AU MOINS DEUX PERSONNES DOIVENT TRAVAILLER ENSEMBLE POUR INSTALLER L'UNITÉ AU MUR.



## Étape 1

### Installation de la tablette additionnelle

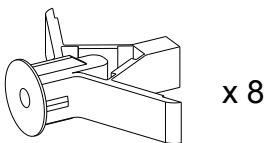
**KK** Vis à bois M4 x 38 mm



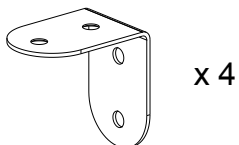
**MM** Vis à bois M4 x 14 mm



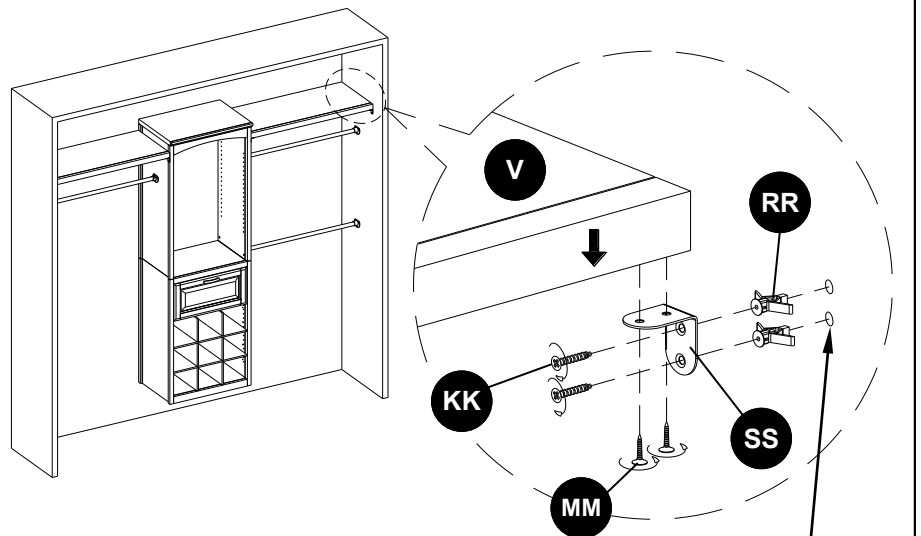
**RR** Ancrage mural



**SS** Support en L



Toujours utiliser un niveau de qualité pour s'assurer que la tablette soit de niveau lors de l'installation.



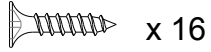
Si les trous coïncident avec les montants muraux, il est recommandé d'utiliser les vis dans ces trous.



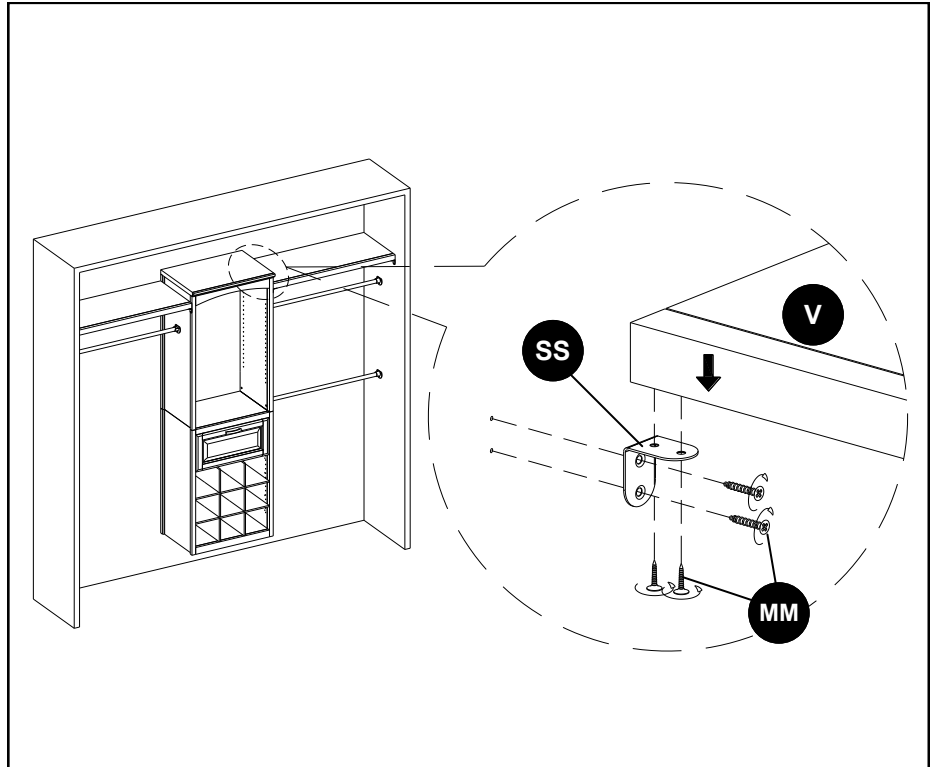
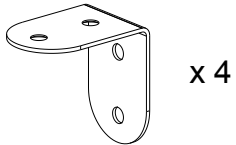
## Étape 2

### Installation de la tablette additionnelle

**MM** Vis à bois 4 x 14 mm



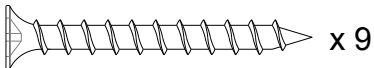
**SS** Support en L



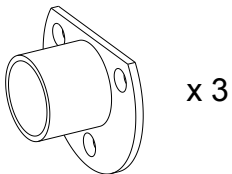
## Étape 1

### Installation de la tringle

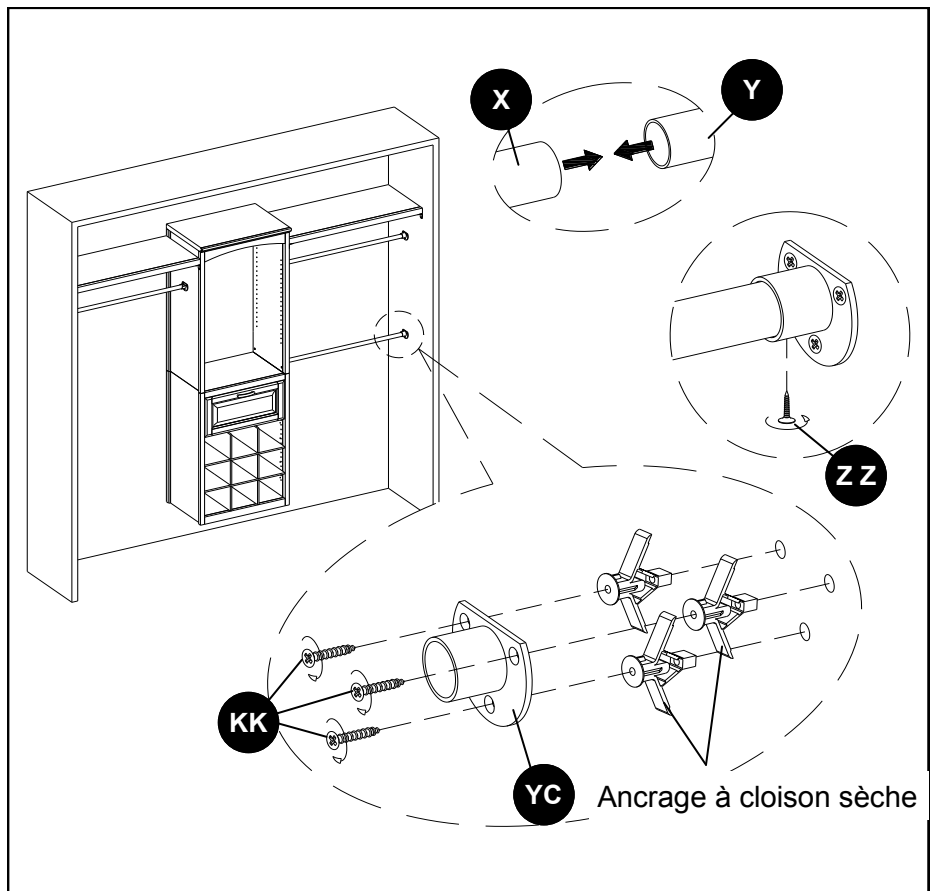
**KK** Vis à bois M4 x 38 mm



**YC** Support de tringle



**ZZ** Vis autotaraudeuse M4 x 15 mm



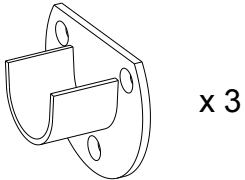
## Étape 2

### Installation de la tringle

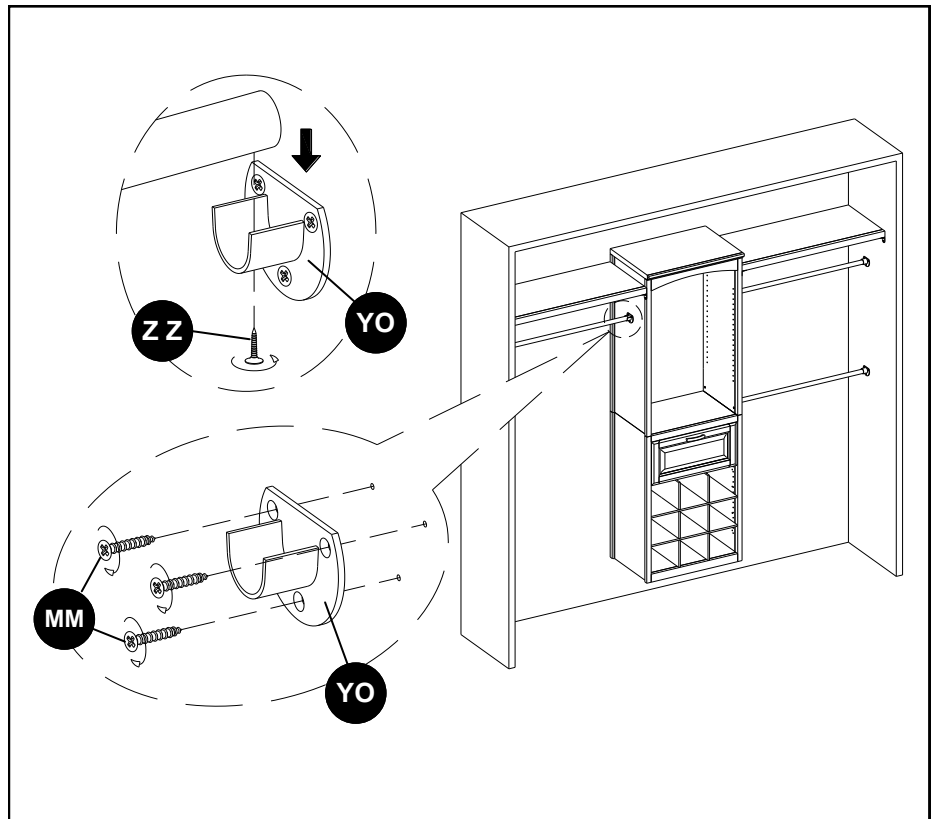
**MM** Vis à bois M4 x 14 mm



**YO** Support de tringle ouvert



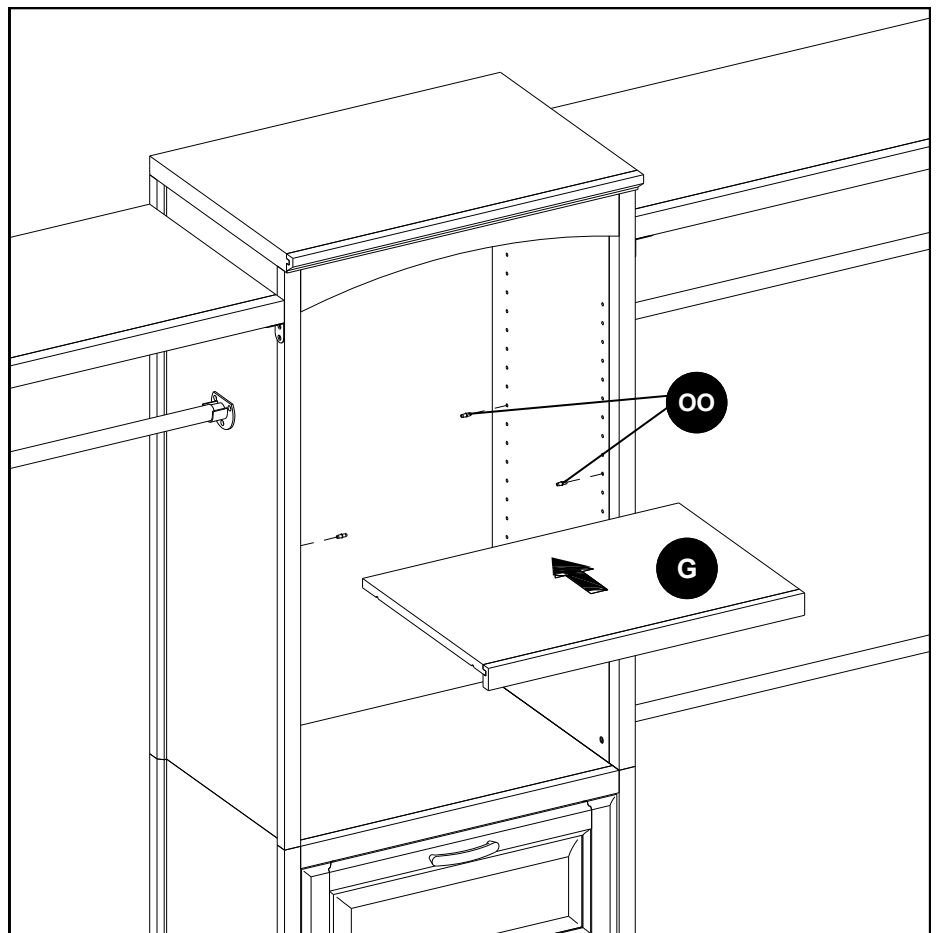
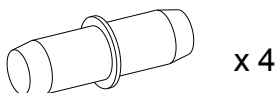
**ZZ** Vis autotaraudeuse M4 x 15 mm



## Étape 1

### Installation de la tablette réglable

**OO** Taquet de tablette



## SOIN ET ENTRETIEN

---

- Vérifier régulièrement la position, l'intégrité et la solidité de tous les composants.
- Utiliser un linge doux et propre qui ne rayera pas la surface lors de l'époussetage.
- Ne jamais utiliser d'eau pour nettoyer le meuble car elle pourrait en endommager le fini.
- Essuyer avec un linge humide et un nettoyant doux. Sécher avec un linge propre.
- Dans le cas où le meuble serait taché ou autrement endommagé durant l'utilisation, il est recommandé de faire appel à un professionnel pour réparer le meuble.
- Garder le produit éloigné du soleil direct car il pourrait en endommager le fini.
- Il est préférable de garder le meuble dans un environnement climatique contrôlé. Les écarts extrêmes de température et d'humidité peuvent causer la décoloration, la torsion ou l'éclatement du bois.
- Un crayon à retouche (XX) est fourni (sauf pour l'article n° 0339205) pour réparer toute petite marque ou éraflure pouvant survenir durant le montage ou l'expédition.
- Si l'article n° 0339205 est endommagé et qu'une retouche est requise, appliquer un poli à bois de qualité à la surface endommagée. Le poli n'est pas inclus avec cet article.

## DIAGNOSTIC

---

Pour toute question sur le produit, appeler le service à la clientèle au 1-866-439-9800, entre 8 h 00 et 20 h 00, Heure de l'Est, du lundi au vendredi.

PROBLÈME	CAUSE POSSIBLE	MESURE CORRECTIVE
Un côté de la longue tablette (V) flotte	L'espace du placard excède 8 pieds.	<ol style="list-style-type: none"><li>1. Acheter le support de tablette et le support mural correspondants (vendus séparément).</li><li>2. Remplacer la longue tablette (V) avec une tablette plus longue au fini et style similaires.</li></ol>
La longue tablette (V) ne peut être installée dans le placard.	L'espace du placard est inférieur à 8 pieds.	<ol style="list-style-type: none"><li>1. Raccourcir un côté de la longue tablette (V). Embaucher un menuisier pour l'installation.</li><li>2. Remplacer la longue tablette (V) avec une tablette plus courte au fini et style similaires.</li></ol>

## GARANTIE LIMITÉE À VIE

Ce produit (excluant les tablettes) est garanti à l'acheteur original. En cas de bris de cette unité dû à un défaut de fabrication ou des matériaux, le fabricant réparera ou remplacera l'article, à sa discrétion, sans frais. La garantie est nulle si le produit a été assemblé de manière incorrecte, a été mal utilisé, surchargé, modifié de quelque manière que ce soit ou endommagé suite à un accident. La présente garantie n'est pas transférable et ne couvre pas l'écaillage, les éraflures, la rouille, les marques ni les autres dommages aux surfaces de ce produit. La responsabilité du fabricant se limite à la réparation ou au remplacement de ce produit. Le fabricant n'est pas responsable des dommages accessoires ni indirects ni aux pertes résultant d'un défaut du produit.

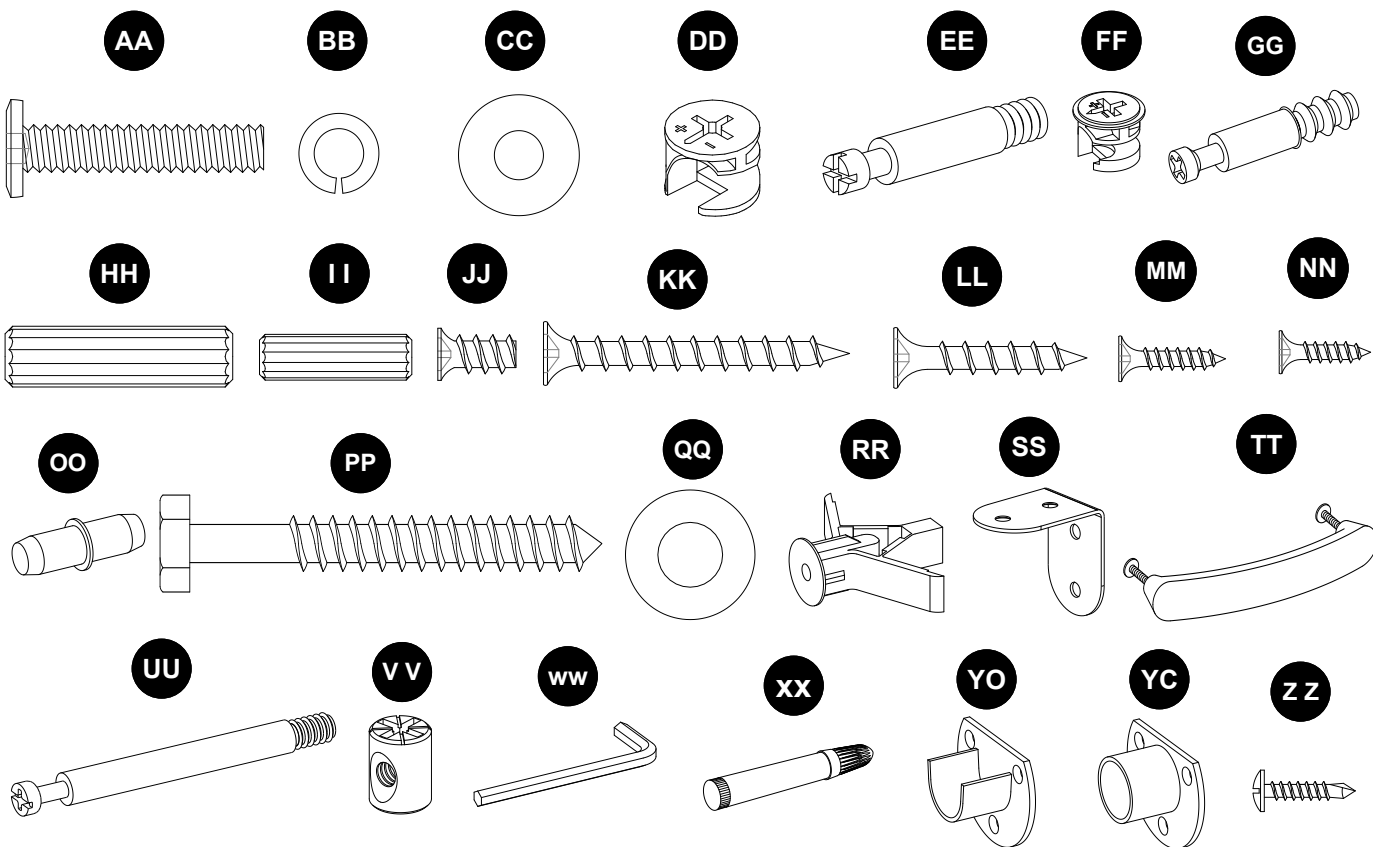
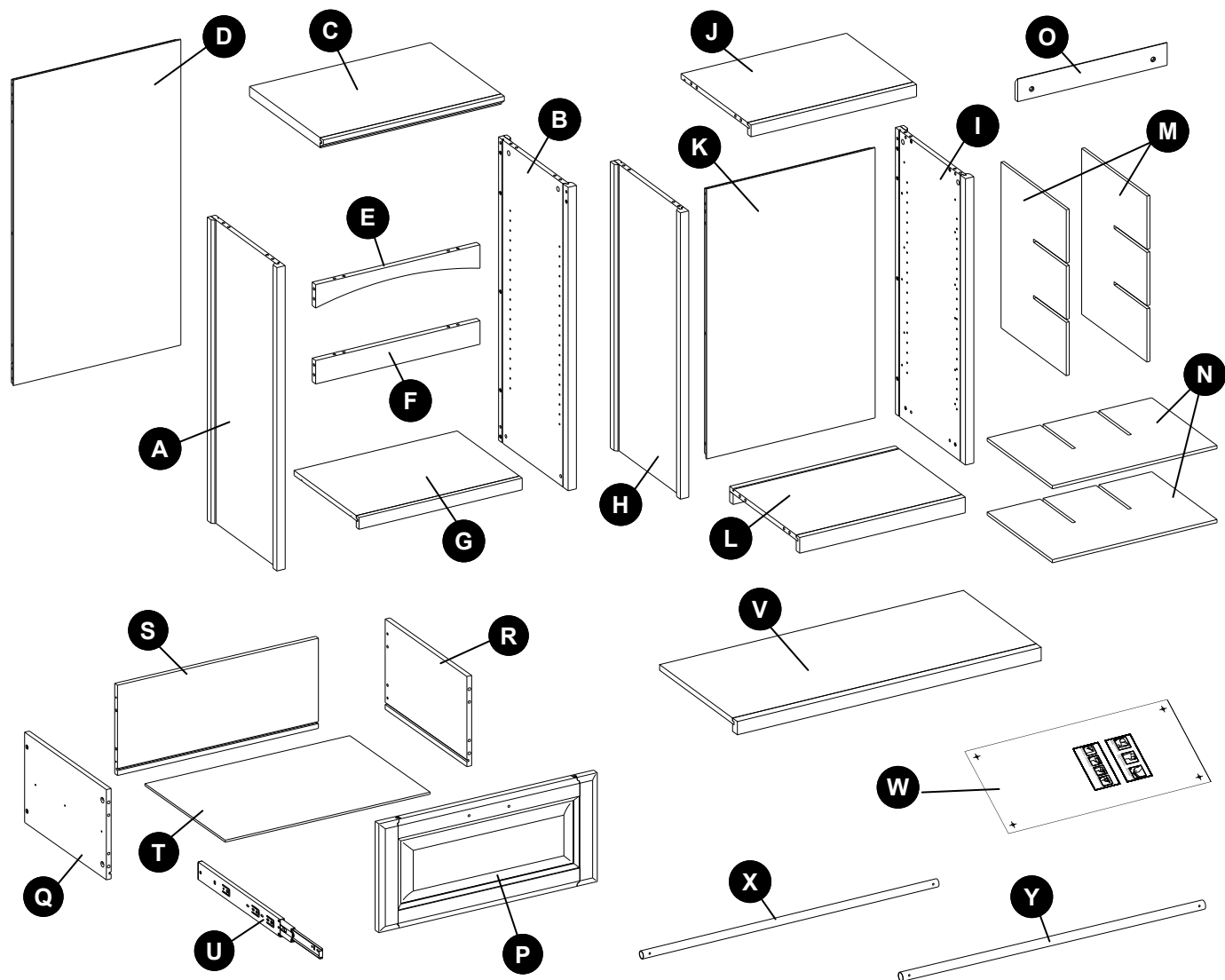
La présente garantie tient lieu de toute autre garantie expresse. Certaines régions ne permettent pas l'exclusion ni la limite des dommages accessoires ou indirects et dans un tel cas, la limite précédente ne s'applique pas. La présente garantie vous accorde des droits légaux spécifiques et vous pourriez bénéficier d'autres droits qui varient d'une région à l'autre.

## LISTE DES PIÈCES DE REMPLACEMENT

Pour obtenir des pièces de remplacement, appeler le service à la clientèle au 1-866-439-9800 entre 8 h 00 et 20 h 00, Heure de l'Est, du lundi au vendredi.

PIÈCE	DESCRIPTION	N° PIÈCE
A	Panneau gauche de huche	*WSWS-CS1C/W/P/S-1-HPL
B	Panneau droit de huche	*WSWS-CS1C/W/P/S-2-HPR
C	Panneau supérieur de huche	*WSWS-CS1C/W/P/S-3-HPT
D	Panneau arrière de huche	*WSWS-CS1C/W/P/S-4-HPB
E	Entretoise avant courbée	*WSWS-CS1C/W/P/S-5-FCS
F	Entretoise avant droite	*WSWS-CS1C/W/P/S-6-FCS
G	Tablette réglable	*WSWS-CS1C/W/P/S-7-AS
H	Panneau gauche de la base	*WSWS-CS1C/W/P/S-8-BPL
I	Panneau droit de la base	*WSWS-CS1C/W/P/S-9-BPR
J	Panneau supérieur de la base	*WSWS-CS1C/W/P/S-10-BPT
K	Panneau arrière de la base	*WSWS-CS1C/W/P/S-11-BPB
L	Panneau inférieur de la base	*WSWS-CS1C/W/P/S-12-BPB
M	Cloison	*WSWS-CS1C/W/P/S-13-PP
N	Tablette à chaussures	*WSWS-CS1C/W/P/S-14-SDS
O	Tasseau de suspension murale	*WSWS-CS1C/W/P/S-15-WHC
P	Devant de tiroir	*WSWS-CS1C/W/P/S-16-DF
Q	Panneau gauche de tiroir	*WSWS-CS1C/W/P/S-17-DPL
R	Panneau droit de tiroir	*WSWS-CS1C/W/P/S-18-DPR
S	Arrière de tiroir	*WSWS-CS1C/W/P/S-19-DB

PIÈCE	DESCRIPTION	N° PIÈCE
T	Fond de tiroir	*WSWS-CS1C/W/P/S-20-DB
U	Glissières à fermeture automatique	*WSWS-CS1C/W/P/S-21-SCS
V	Longue tablette	*WSWS-CS1C/W/P/S-23-LS
W	Gabarit d'installation	*WSWS-CS1C/W/P/S-52-IT
X	Tringle en métal 22 mm	*WSWS-CS1C/W/P/S-24-22MP
Y	Tringle en métal 25 mm	*WSWS-CS1C/W/P/S-25-25MP
AA	Boulon ¼ x 1 ¼ po	*WSWS-CS1C/W/P/S-27-1 1/4B
BB	Rondelle frein	*WSWS-CS1C/W/P/S-28-LW
CC	Rondelle plate	*WSWS-CS1C/W/P/S-29-FW
DD	Grande came	*WSWS-CS1C/W/P/S-30-LCL
EE	Medium boulon à came	*WSWS-CS1C/W/P/S-31-MCB
FF	Petite came	*WSWS-CS1C/W/P/S-32-SCL
GG	Petit boulon à came	*WSWS-CS1C/W/P/S-33-SCB
HH	Grand goujon de bois	*WSWS-CS1C/W/P/S-34-LWD
II	Petit goujon de bois	*WSWS-CS1C/W/P/S-35-SWD
JJ	Vis M6 x 10 mm	*WSWS-CS1C/W/P/S-36-M6X10S
KK	Vis à bois M4 x 38 mm	*WSWS-CS1C/W/P/S-37-38WS
LL	Vis à bois M4 x 25 mm	*WSWS-CS1C/W/P/S-38-25WS
MM	Vis à bois M4 x 14 mm	*WSWS-CS1C/W/P/S-39-14WS
NN	Vis à bois M3,5 x 12 mm	*WSWS-CS1C/W/P/S-40-12FHWS
OO	Taquet de tablette	*WSWS-CS1C/W/P/S-41-SP
PP	Tire-fond M8 x 2 ½ po	*WSWS-CS1C/W/P/S-42-2 1/2LB
QQ	Grande rondelle plate	*WSWS-CS1C/W/P/S-43-LFW
RR	Ancrage mural	*WSWS-CS1C/W/P/S-44-WS
SS	Support en L	*WSWS-CS1C/W/P/S-45-LB
TT	Poignée et boulons de tiroir	*WSWS-CS1C/W/P/S-22-DHB
UU	Grand boulon à came	*WSWS-CS1C/W/P/S-53-LCB
VV	Écrou cylindrique	*WSWS-CS1C/W/P/S-54-BN
WW	Clé hexagonale M4	*WSWS-CS1C/W/P/S-46-M4AW
XX	Crayon à retouche	*WSWS-CS1C/W/S-50-TUP
YO	Support de tringle ouvert	*WSWS-CS1C/W/P/S-48-OPH
YC	Support de tringle fermé	*WSWS-CS1C/W/P/S-49-CPH
ZZ	Vis autotaraudeuse M4 x 15 mm	*WSWS-CS1C/W/P/S-47-15SS
	Quincaillerie complète	*WSWS-CS1C/W/P/S-48-CH



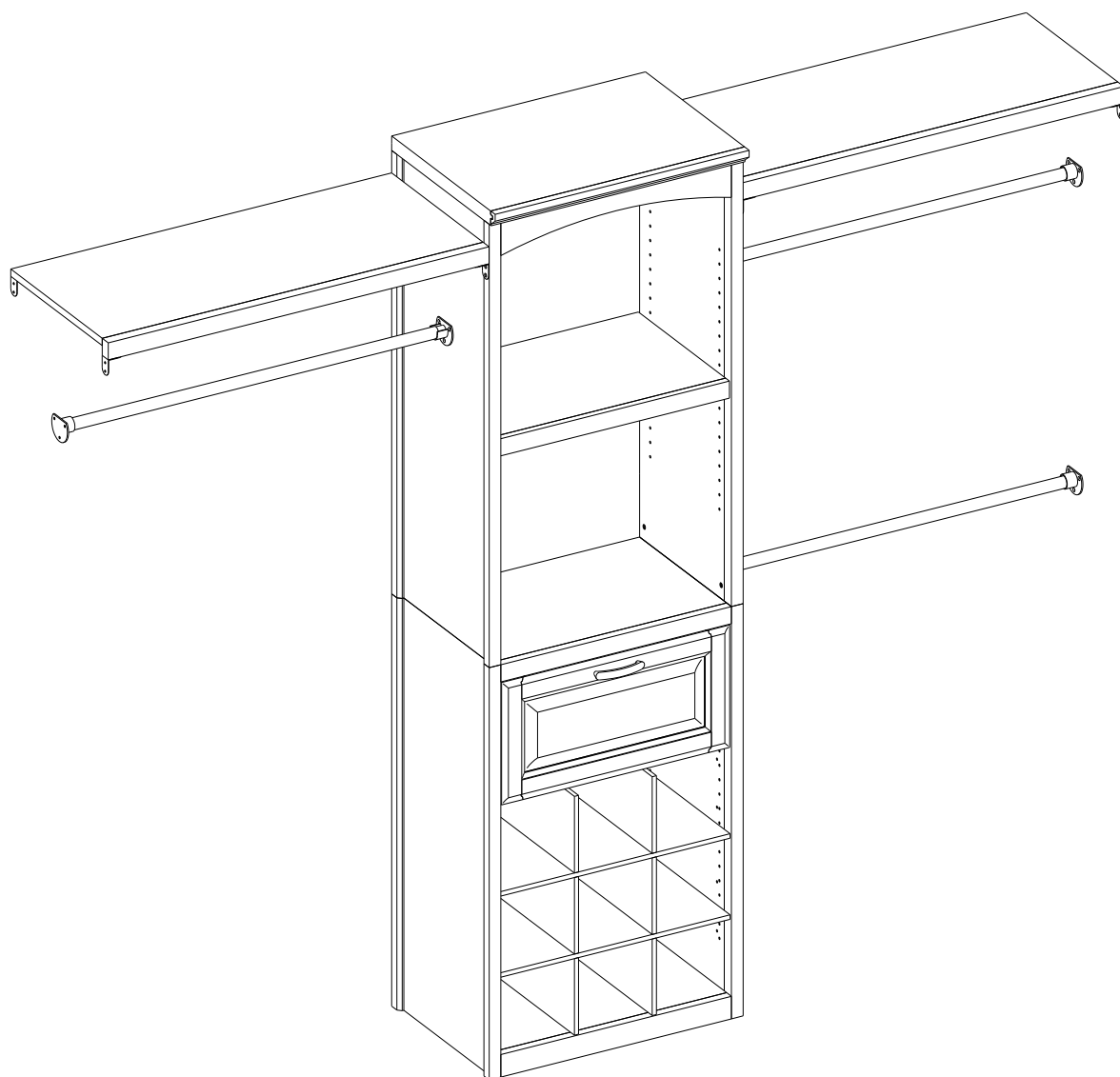
Imprimé en Vietnam



ARTÍCULO #0339203, #0339204, #0339205, #0339206

# KIT DE ARMARIO COMPLETO

MODELO #WSWS-CS1C, #WSWS-CS1W  
#WSWS-CS1P, #WSWS-CS1S



**ADJUNTE SU RECIBO AQUI**

Número de Serie \_\_\_\_\_

Fecha de Compra \_\_\_\_\_



**Preguntas, problemas, le faltan piezas?** Antes de volver a la tienda, llame a nuestro departamento de servicio al cliente al 1-866-439-9800, de 8 am - 8 pm, Horario del Este, de Lunes - Viernes.

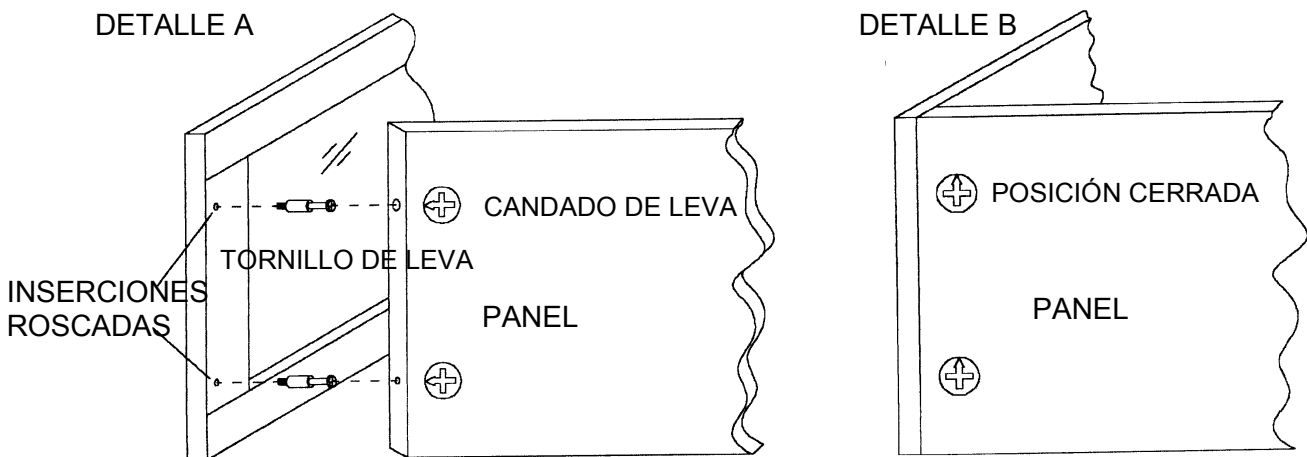
## TABLA DE CONTENIDO

---

Operación del sistema fijador de levas.....	48
Contenidos del Empaque.....	49
Contenidos de Artículos de Ferretería.....	50
Información de Seguridad.....	52
Preparación .....	52
Instrucciones de Ensamble.....	53
Cuidado y Mantenimiento.....	66
Solución de problemas.....	66
Garantía.....	67
Lista de Partes de Repuesto.....	67

## OPERACIÓN DEL SISTEMA FIJADOR DE LEVAS

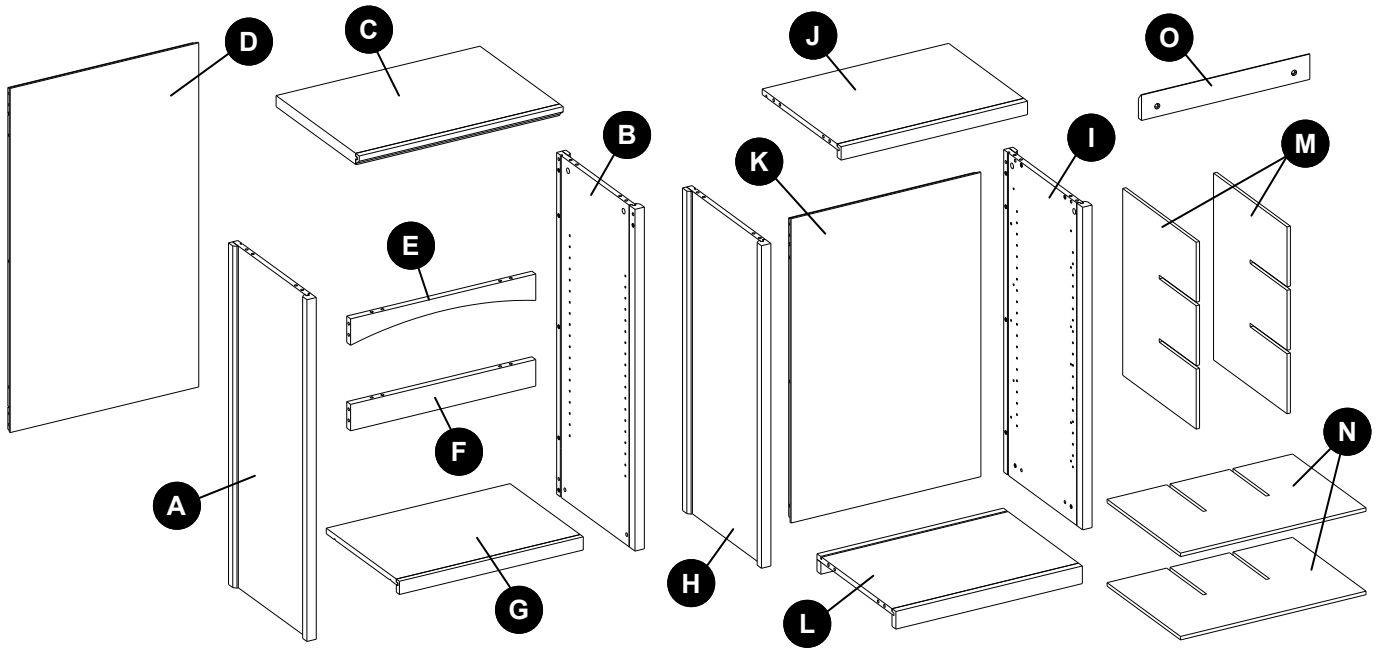
---



1. Atornille el Tornillo de Leva dentro de la inserción roscada en el panel.
2. Introduzca el Candado de Leva dentro del agujero pretaladrado en el panel.
3. Cerciérese que el Candado de Leva esté apuntando hacia el Tornillo de Leva.
4. Conecte ambos paneles juntos; cerciorandose que los Tornillos de Leva vayan en los agujeros pretaladrados con el Candado de Leva.
5. Una vez que el Tornillo de Leva esté conectado dentro del Candado de Leva, tome un destornillador Phillips y apriete el Candado de Leva hacia la derecha.

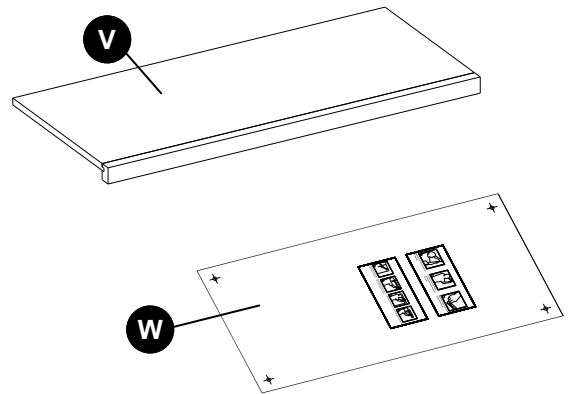
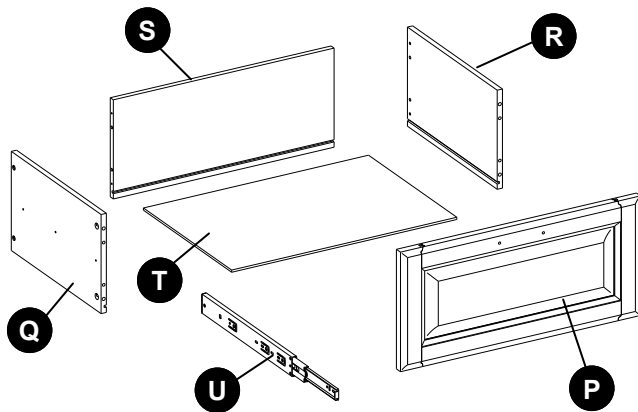


## CONTENIDOS DE EMPAQUE



PARTE	DESCRIPCIÓN	CANT.
A	Panel Izquierdo de Caja	1
B	Panel Derecho de Caja	1
C	Panel Superior de Caja	1
D	Panel Posterior de Caja	1
E	Restirador Curvo Frontal	1
F	Restirador Recto Frontal	1
G	Repisa Ajustable	1

PARTE	DESCRIPCIÓN	CANT.
H	Panel Izquierdo de Base	1
I	Panel Derecho de Base	1
J	Panel Superior de la Base	1
K	Panel Posterior de la Base	1
L	Panel Inferior de la Base	1
M	Panel Divisor	2
N	Repisa para Zapatos	2
O	Cuña para Colgar en Pared	2

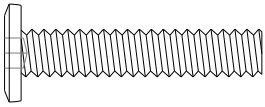


PARTE	DESCRIPCIÓN	CANT.
P	Cajón Frontal	1
Q	Panel Izquierdo de Cajón	1
R	Panel Derecho de Cajón	1
S	Cajón Posterior	1
T	Cajón Inferior	1
U	Deslizadores de Cierre Automático	2

PARTE	DESCRIPCIÓN	CANT.
V	Repisa Larga	2
W	Patrón de Instalación	1

## CONTENIDOS DE ARTÍCULOS DE FERRETERÍA

AA



Tornillo de 1/4 x 1-1/4 pulg (3,2 cm)

CANT. 12

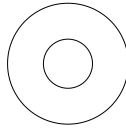
BB



Arandela de Presión

CANT. 12

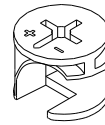
CC



Arandela Plana

CANT. 12

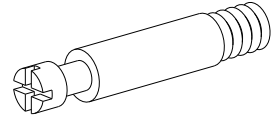
DD



Candado de Leva Grande

CANT. 34

EE



Tornillo de Leva Medio

CANT. 30

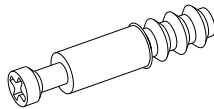
FF



Candado de Leva Chico

Cant. 4

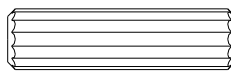
GG



Tornillo de Leva Pequeño

Cant. 4

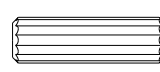
HH



Clavija de Madera Grande

Cant. 34

II



Clavija de Madera Chica

Cant. 8

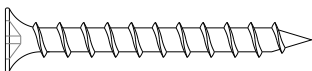
JJ



Tornillo de 6 x 10 mm

Cant. 4

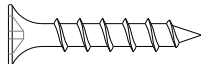
KK



Tornillo para Madera de 4 x 38 mm

Cant. 8

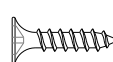
LL



Tornillo para Madera de 4 x 25 mm

Cant. 4

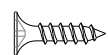
MM



Tornillo para Madera de 4 x 14 mm

Cant. 24

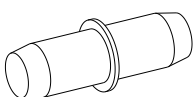
NN



Tornillo para Madera de 3,5 x 12 mm

Cant. 6

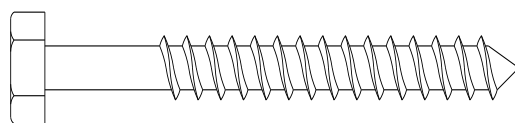
OO



Pasador de Repisa

Cant. 4

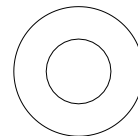
PP



Tornillo con Cabeza Hexagonal de 8 mm x 2-1/2 pulgada (6,35 cm)

Cant. 4

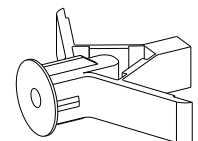
QQ



Arandela Plana Grande

Cant. 4

RR



Taquetes de Pared

Cant. 8

## CONTENIDOS DE ARTÍCULOS DE FERRETERÍA

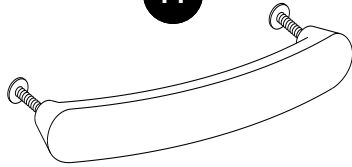
SS



Soporte en L

Cant. 8

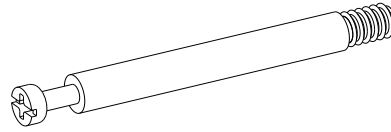
TT



Agarradera para  
cajón y tornillos

Cant. 1

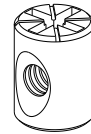
UU



Tornillo de  
Leva Grande

CANT. 4

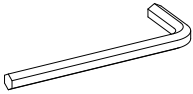
VV



Tuerca  
Barril

Cant. 4

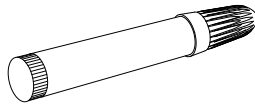
ww



Llave Allen  
de 4 mm

Cant. 1

xx

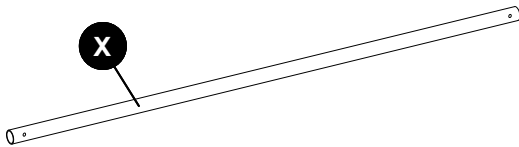


Plumón para Retoques

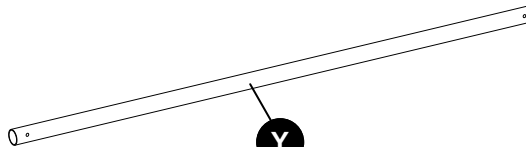
Cant. 1  
(no se incluye para  
el Artículo #0339205)

## CONTENIDOS DEL EMPAQUE (Juego del Poste)

X



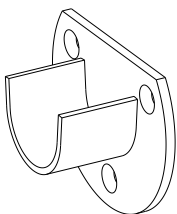
Y



PARTE	DESCRIPCIÓN	CANTIDAD
X	Poste de Metal de 22 mm	3
Y	Poste de Metal de 25 mm	3

## CONTENIDOS DE ARTÍCULOS DE FERRETERÍA (Juego para el Poste)

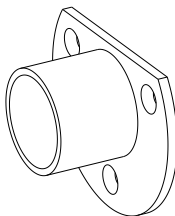
YO



Sujetador  
de Poste  
Abierto

Cant. 3

YC



Sujetador  
de Poste  
Cerrado

Cant. 3

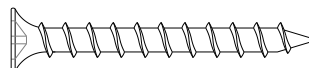
ZZ



Tornillo  
Autoroscable  
de 4 x 15 mm

Cant. 6

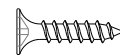
KK



Tornillo para  
Madera  
de 4 x 38 mm

Cant. 18

MM



Tornillo para  
Madera  
de 4 x 14 mm

Cant. 9

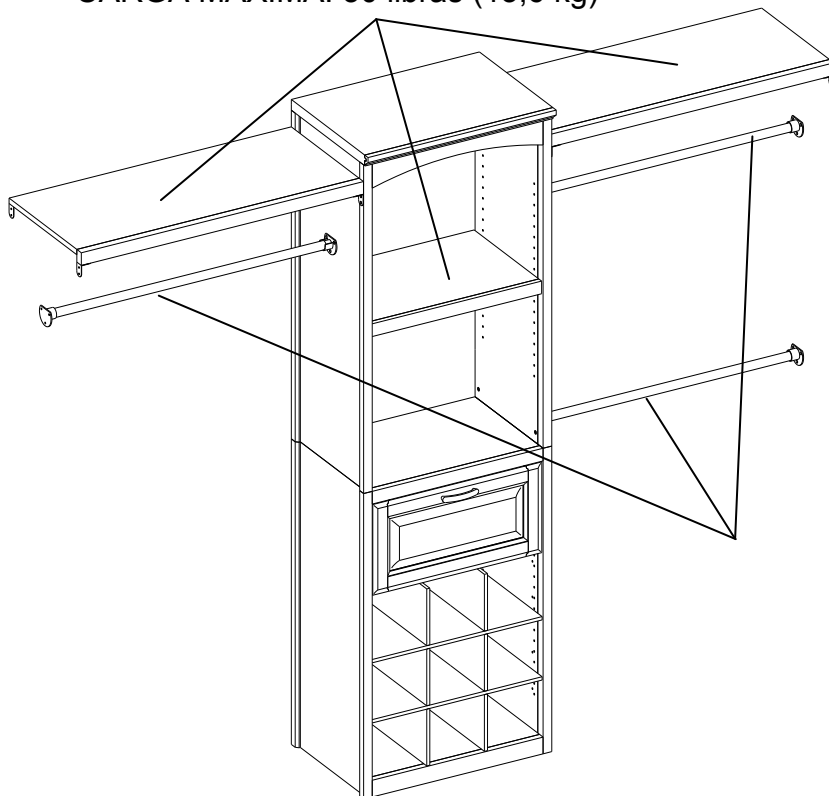


## INFORMACIÓN DE SEGURIDAD

Por favor lea y entienda este manual completamente antes de intentar el ensamble, operar o instalar el producto.

1. No permita que los niños se suban o jueguen en o alrededor de este product.
2. Utilice esta unidad para la que ha sido concebido. No utilice las repisas como escalera de mano.
3. Para evitar daños, monte el producto en una superficie firme, nivelada y protectora.
4. Dos o más personas deben trabajar juntos para instalar la unidad en la pared.
5. Asegúrese de que todos los pernos y tornillos estén bien apretados antes de que la unidad sea utilizada.
6. Revise los pernos/tornillos periódicamente y apriete en caso de ser necesario.

CARGA MÁXIMA: 30 libras (13,6 kg)



CARGA MÁXIMA: 40  
libras (18,14 kg)  
POR RAZONES DE  
SEGURIDAD, EL

## ⚠️ ADVERTENCIA

ESTA UNIDAD ESTA INTENCIONADA PARA USO SOLAMENTE CON LOS PESOS MÁXIMOS INDICADOS. EL USO DE PRODUCTOS MÁS PESADOS QUE LOS INDICADOS PUEDE RESULTAR EN INESTABILIDAD CAUSANDO POSIBLES LESIONES. DISTRIBUYA EL PESO UNIFORMEMENTE.

### PREPARACIÓN

Antes de comenzar la instalación del producto, asegúrese de que todas las partes estén presentes. Compare las piezas con la lista de contenidos y lista de artículos de ferretería contenido. Si alguna pieza falta o está dañada, no trate de armar, instalar o utilizar el producto. Póngase en contacto con departamento de servicio al cliente para piezas de repuesto.

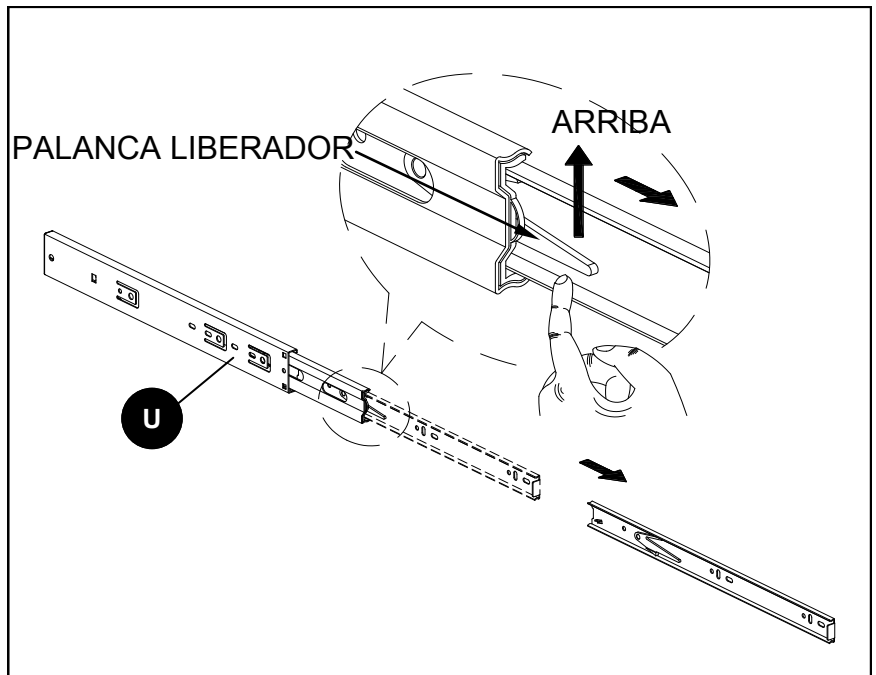
**Tiempo estimado de ensamble: 120 minutos**

Herramientas Requeridas para el Ensamble (no incluidas): Destornillador Phillips, Taladro Eléctrico, Broca de 3/16 Pulgadas (4,8 mm), Broca de 3/8 Pulgadas (9,5 mm), Broca de 1/2 Pulgadas (12,7 mm), Llave de Dado, Localizador de Viga, Lápiz Marcador, Cinta para Medir, Escalera y Martillo

# INSTRUCCIONES DE ENSAMBLE

## Paso 1

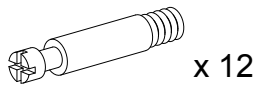
### Ensamble de la Base



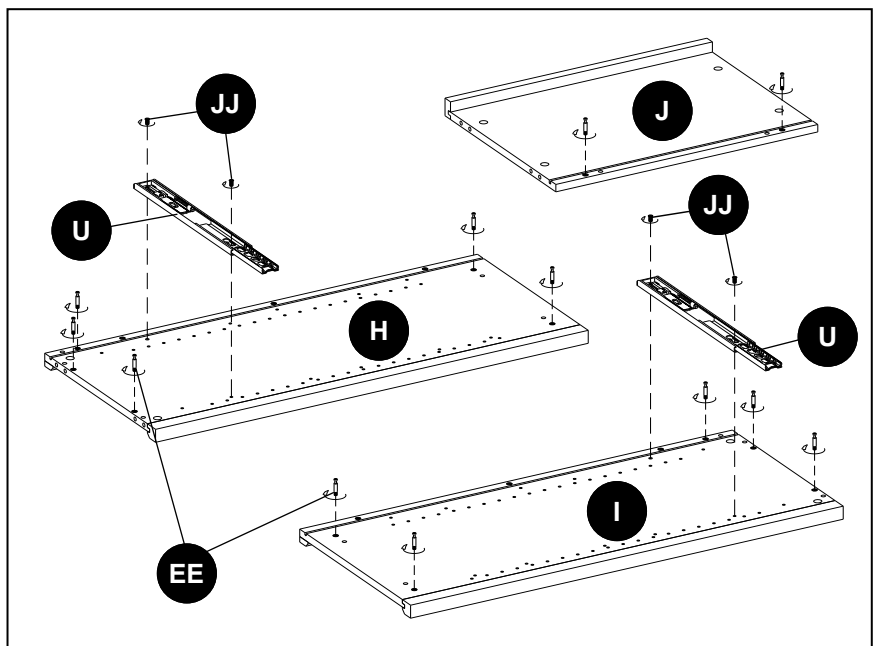
## Paso 2

### Ensamble de la Base

**EE** Tornillo de Leva Medio



**JJ** Tornillo de 6 x 10 mm



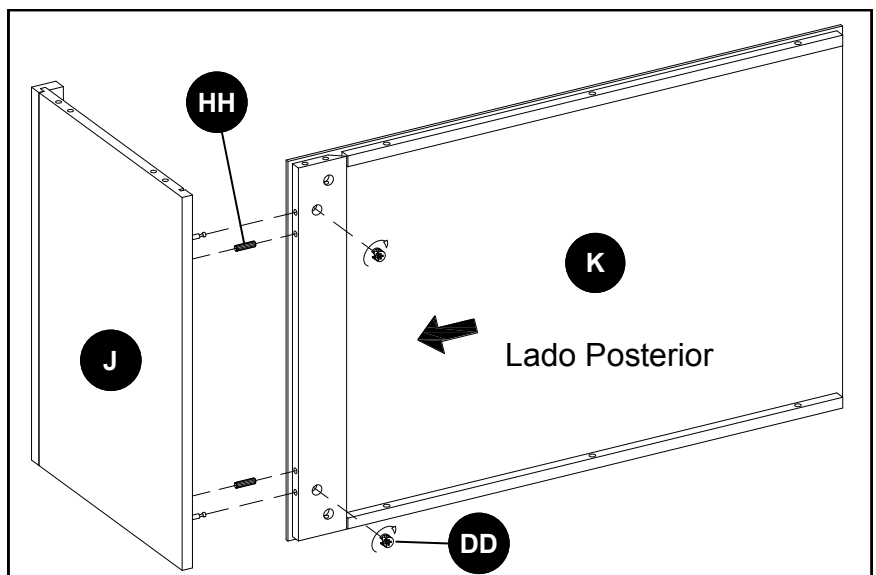
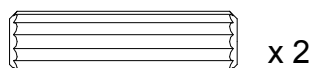
## Paso 3

### Ensamble de la Base

**DD** Candado de Leva Grande



**HH** Clavija de Madera Grande



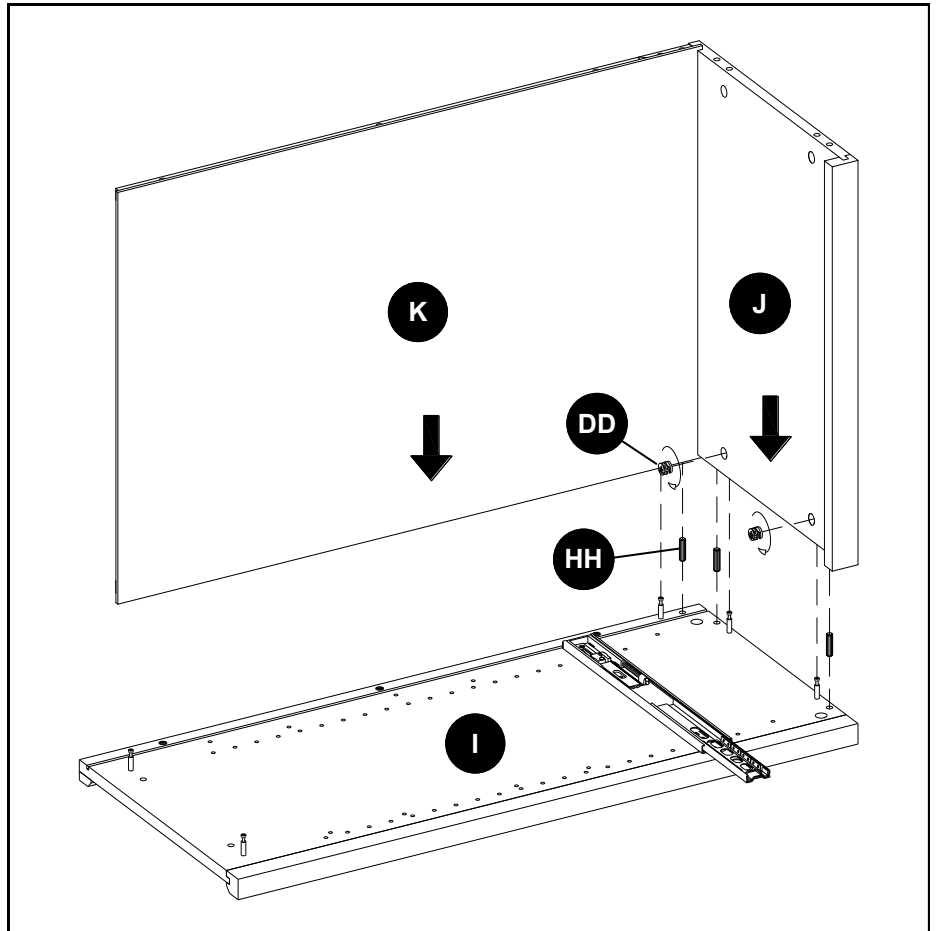
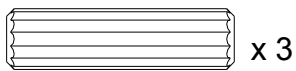
**Paso 4**

**Ensamble de la Base**

**DD** Candado de Leva Grande



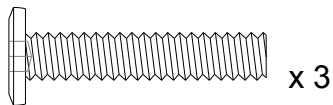
**HH** Clavija de Madera Grande



**Paso 5**

**Ensamble de la Base**

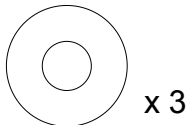
**AA** Tornillo de 1/4 x 1-1/4 pulg (3,2 cm)



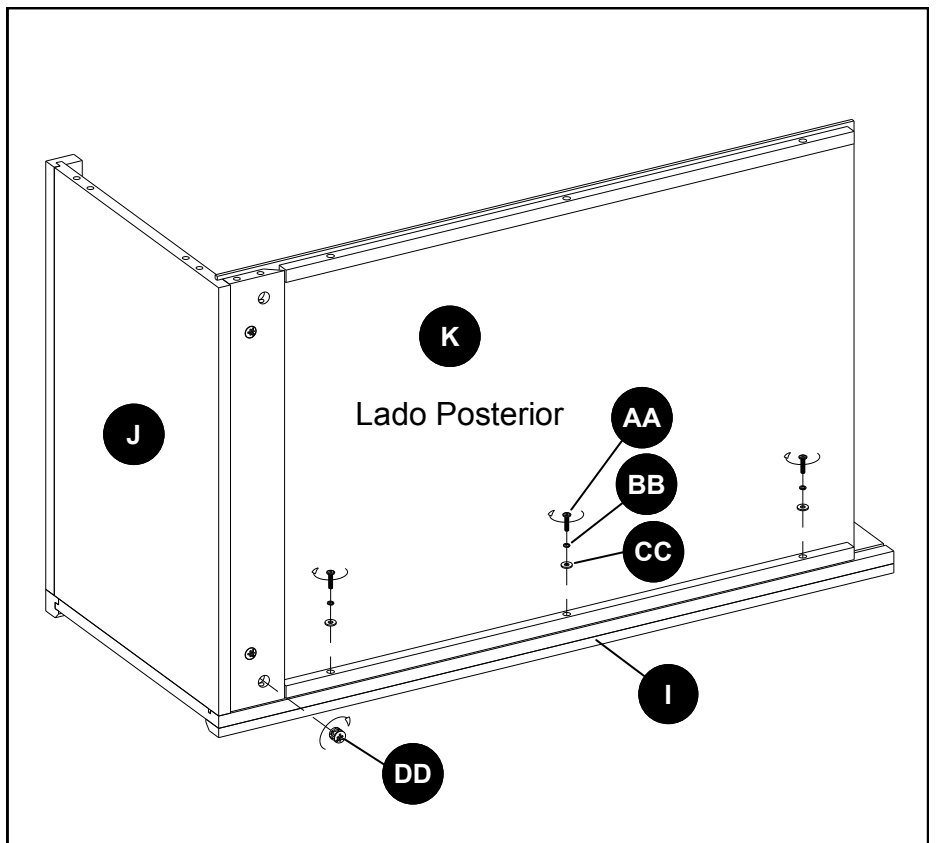
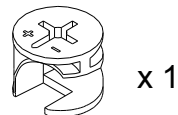
**BB** Arandela de Presión



**CC** Arandela Plana



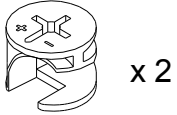
**DD** Candado de Leva Grande



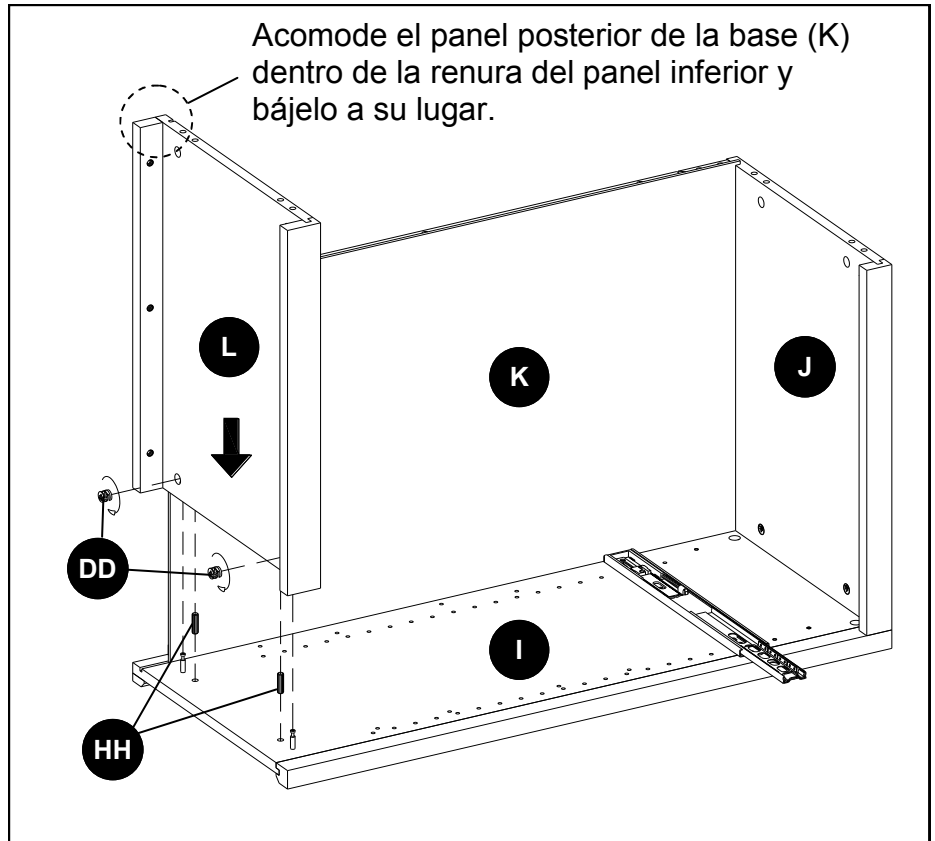
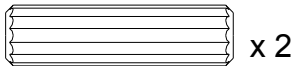
**Paso 6**

**Ensamble de la Base**

**DD** Candado de Leva Grande



**HH** Clavija de Madera Grande



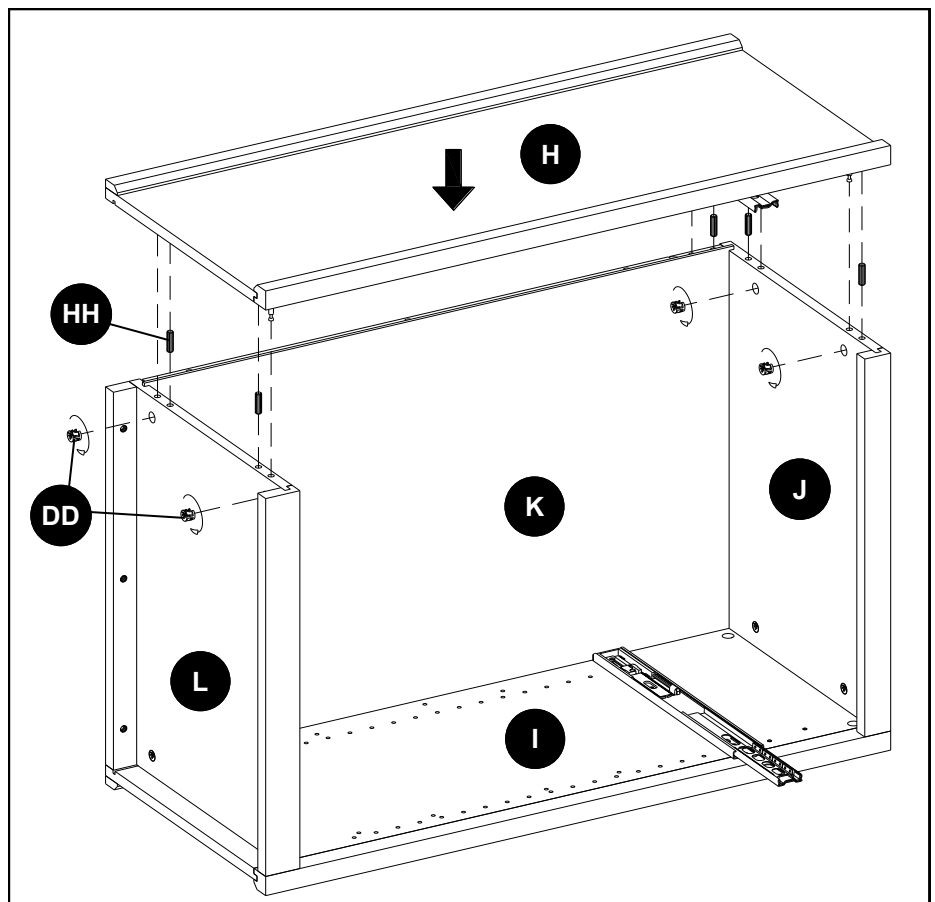
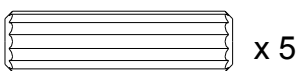
**Paso 7**

**Ensamble de la Base**

**DD** Candado de Leva Grande



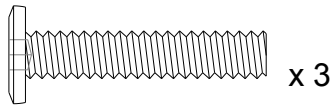
**HH** Clavija de Madera Grande



**Paso 8**

**Ensamble de la Base**

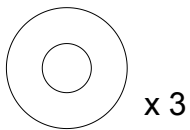
- AA** Tornillo de 1/4 x 1-1/4 pulg (3,2 cm)



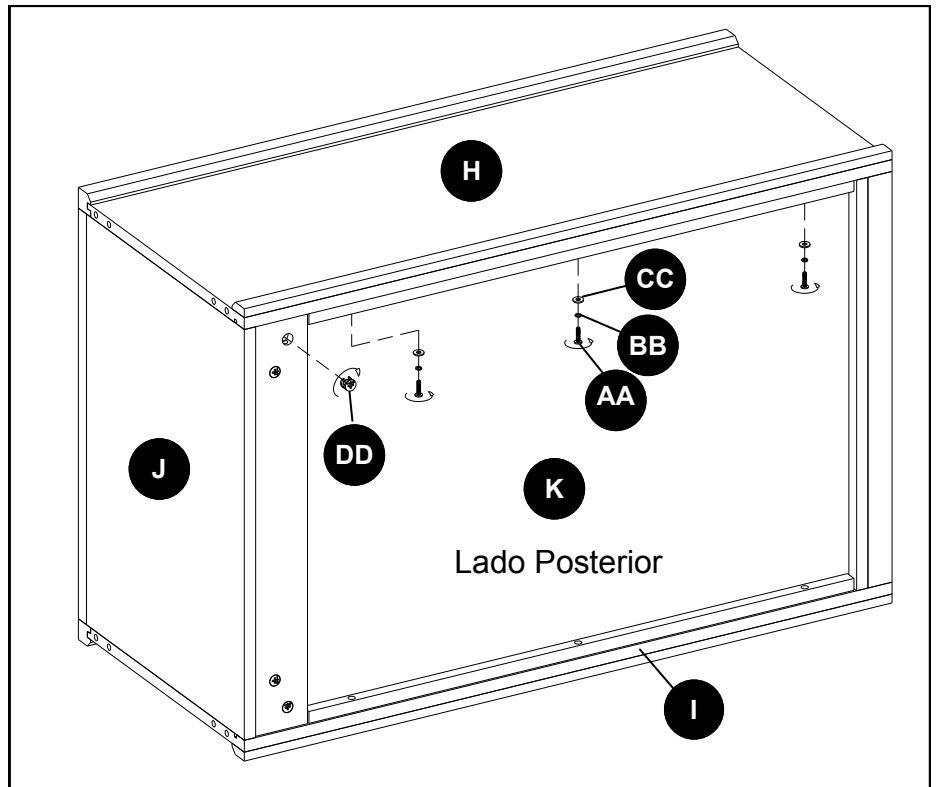
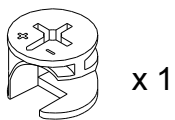
- BB** Arandela de Presión



- CC** Arandela Plana



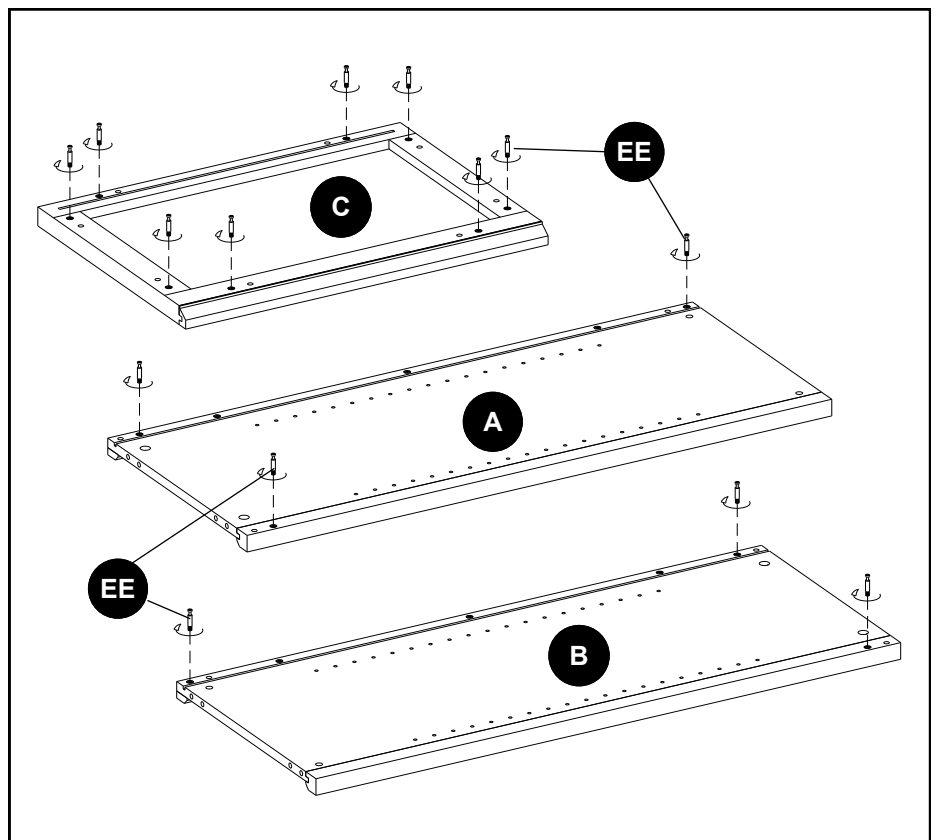
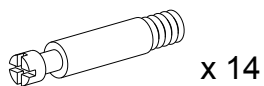
- DD** Candado de Leva Grande



**Paso 1**

**Ensamble del Compartimiento**

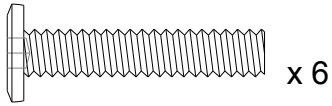
- EE** Tornillo de Leva Medio





**Paso 2**  
Ensamble del Compartimento

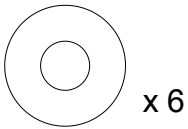
**AA** Tornillo de 1/4 x 1-1/4 pulg (3,2 cm)



**BB** Arandela de Presión



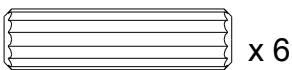
**CC** Arandela Plana



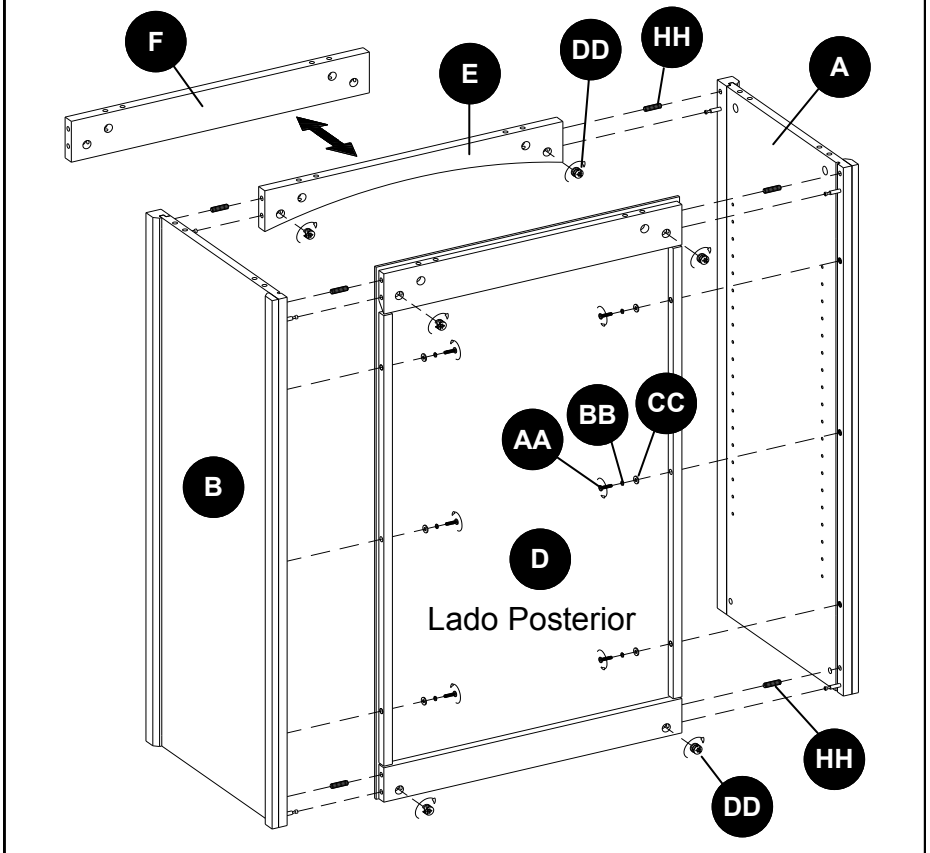
**DD** Candado de Leva Grande



**HH** Clavija de Madera Grande



Choisir l'entretoise avant courbée (E) ou l'entretoise avant droite (F) selon l'aspect de votre placard et assembler selon les directives plus bas.

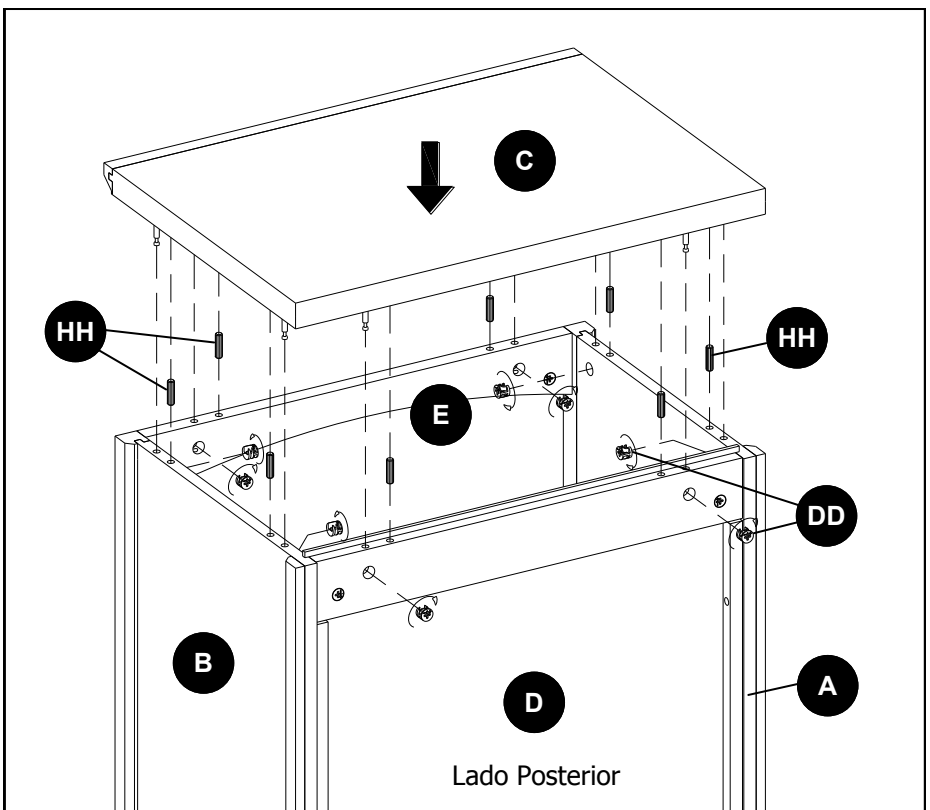
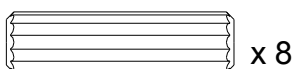


**Paso 3**  
Ensamble del Compartimento

**DD** Candado de Leva Grande



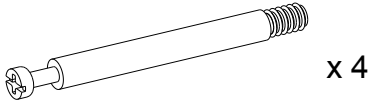
**HH** Clavija de Madera Grande



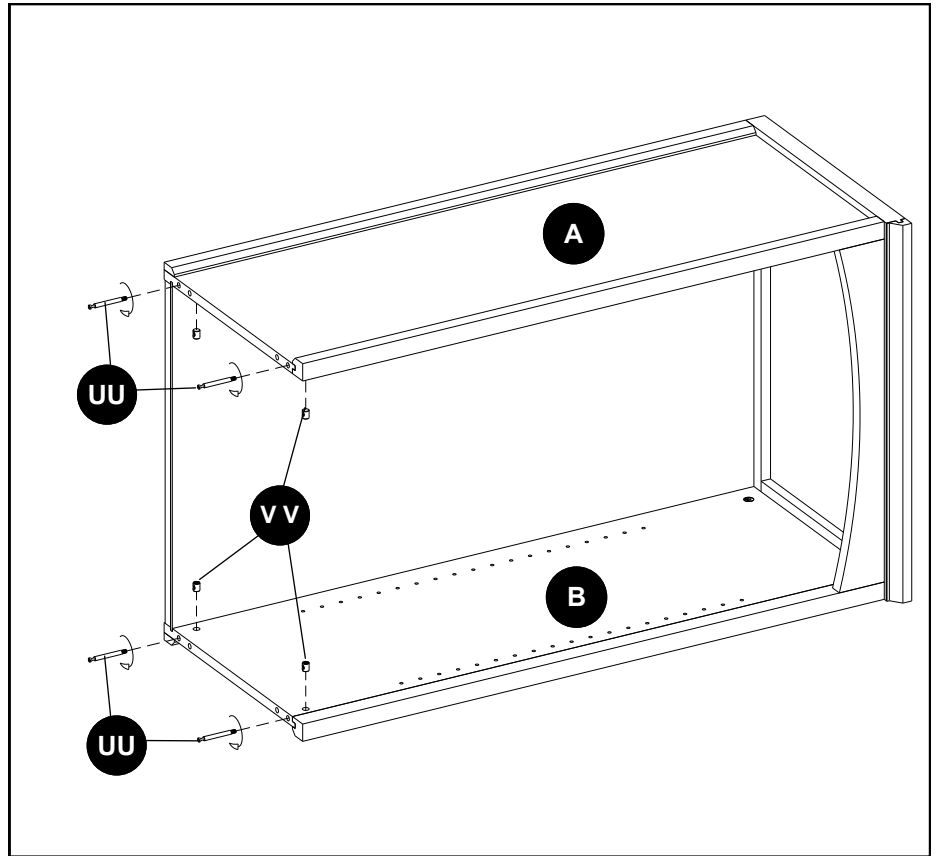
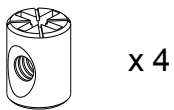
**Paso 4**

**Ensamble del Compartimiento**

**UU** Tornillo de Leva Grande



**VV** Tuerca Barril



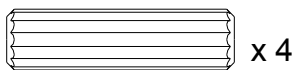
**Paso 5**

**Ensamble del Compartimiento**

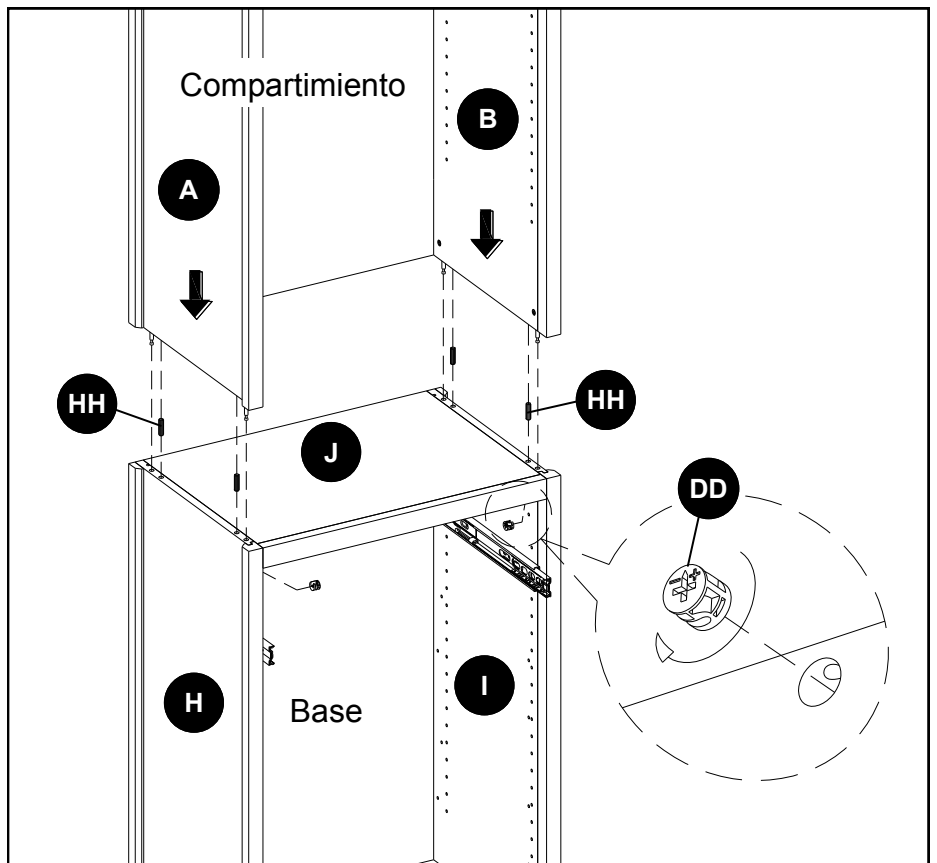
**DD** Candado de Leva Grande



**HH** Clavija de Madera Grande



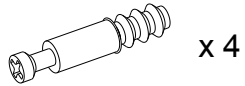
NOTA: Pida la ayuda de un amigo para este paso.



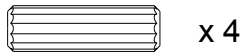
**Paso 1**

**Ensamble del Cajón**

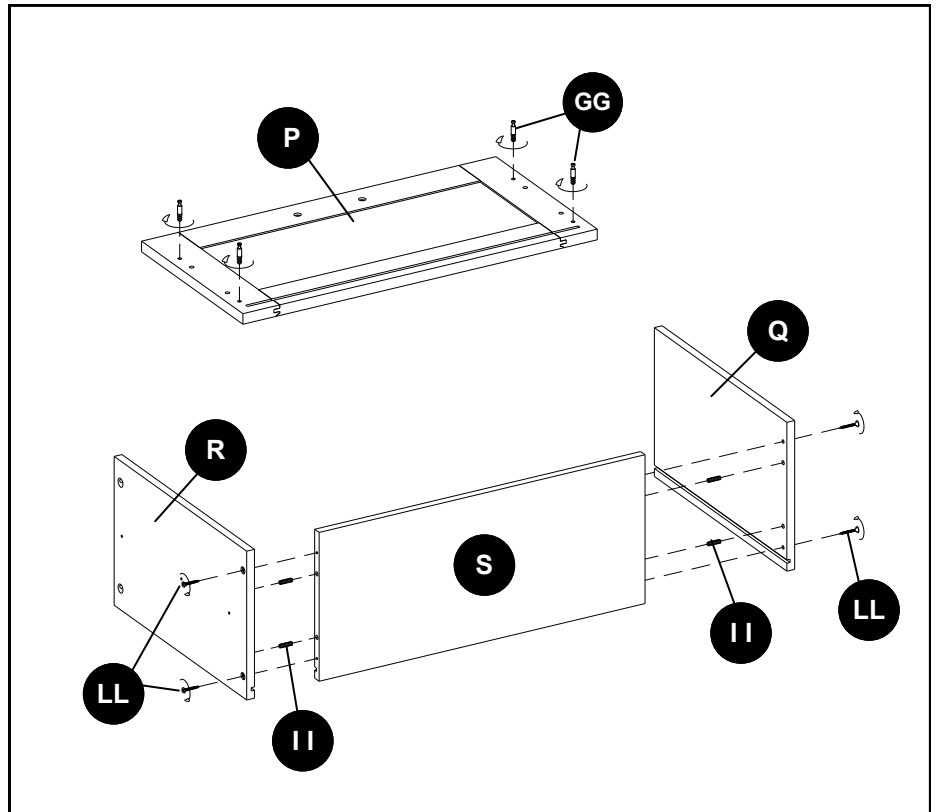
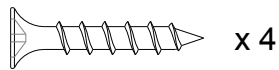
**GG** Tornillo de Leva Chico



**II** Clavija de Madera Chica

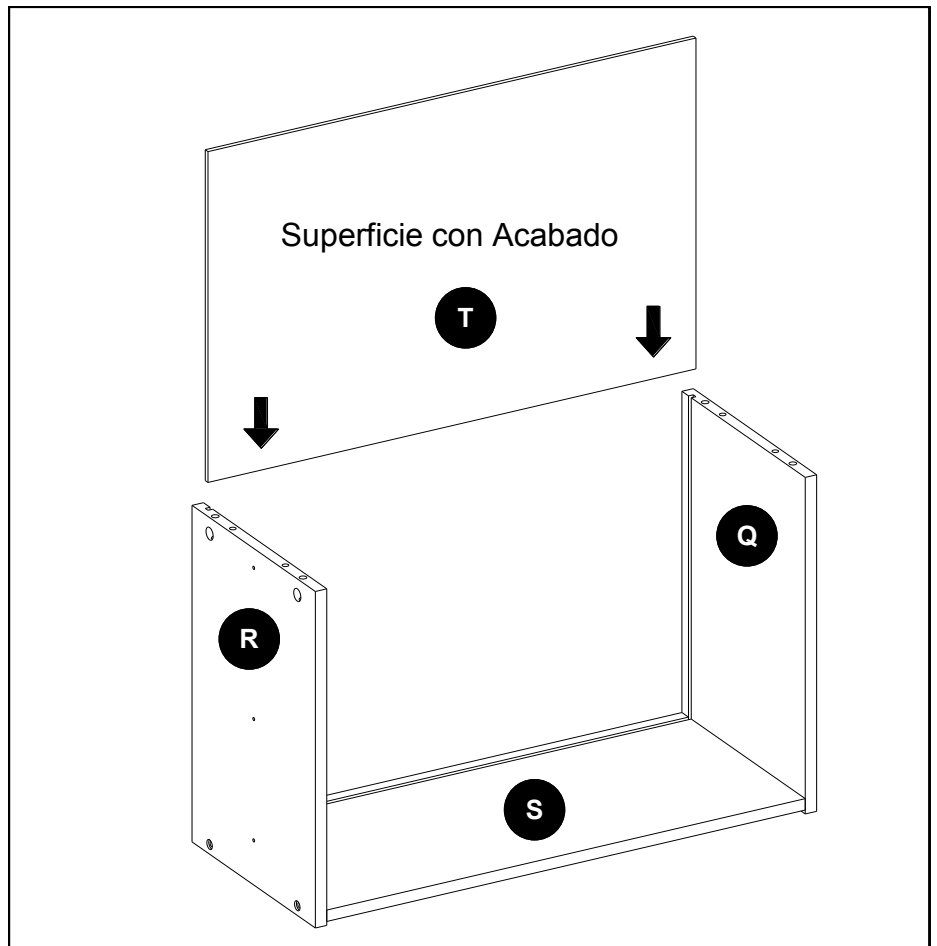


**LL** Tornillo de 4 x 25 mm



**Paso 2**

**Ensamble del Cajón**



**Paso 3**

**Ensamble del Cajón**

**FF** Candado de Leva Chico

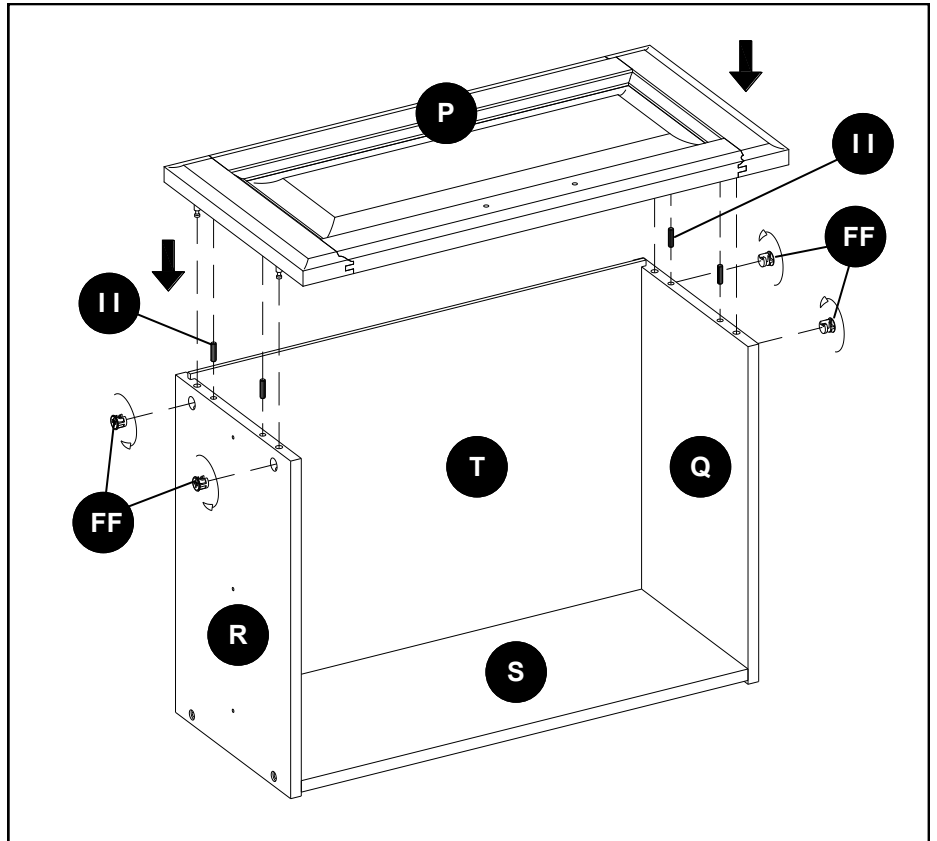


x 4

**II** Clavija de Madera Chica



x 4



**Paso 4**

**Ensamble del Cajón**

**NN** Tornillo de 3,5 x 12 mm

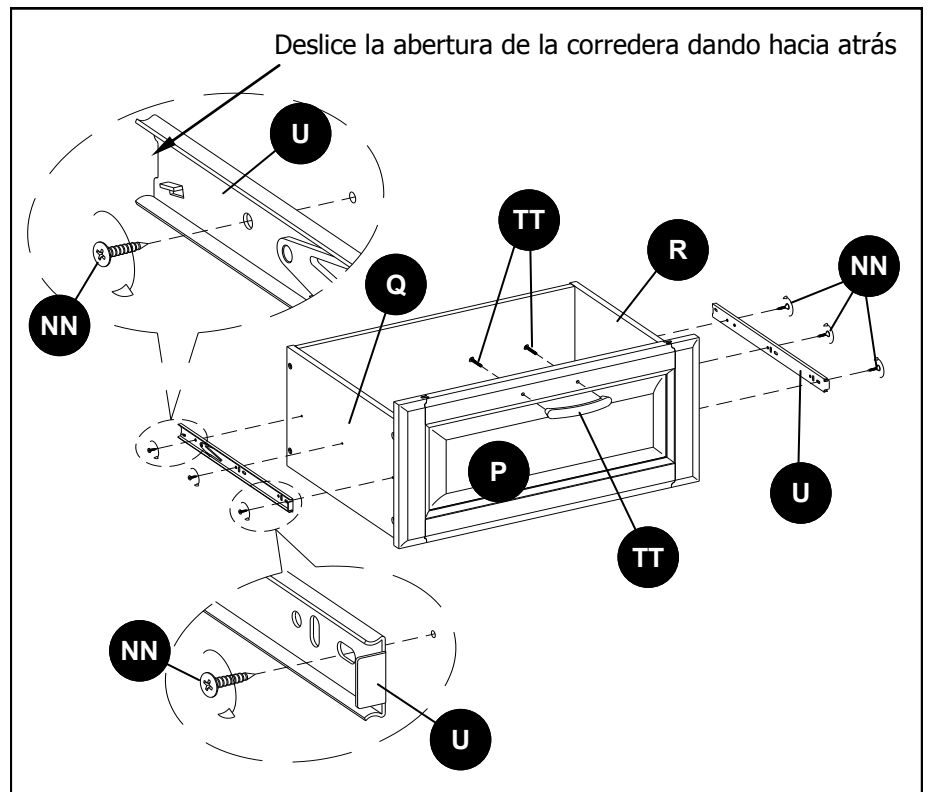


x 6

**TT** Agarradera para cajón y tornillos



x 1

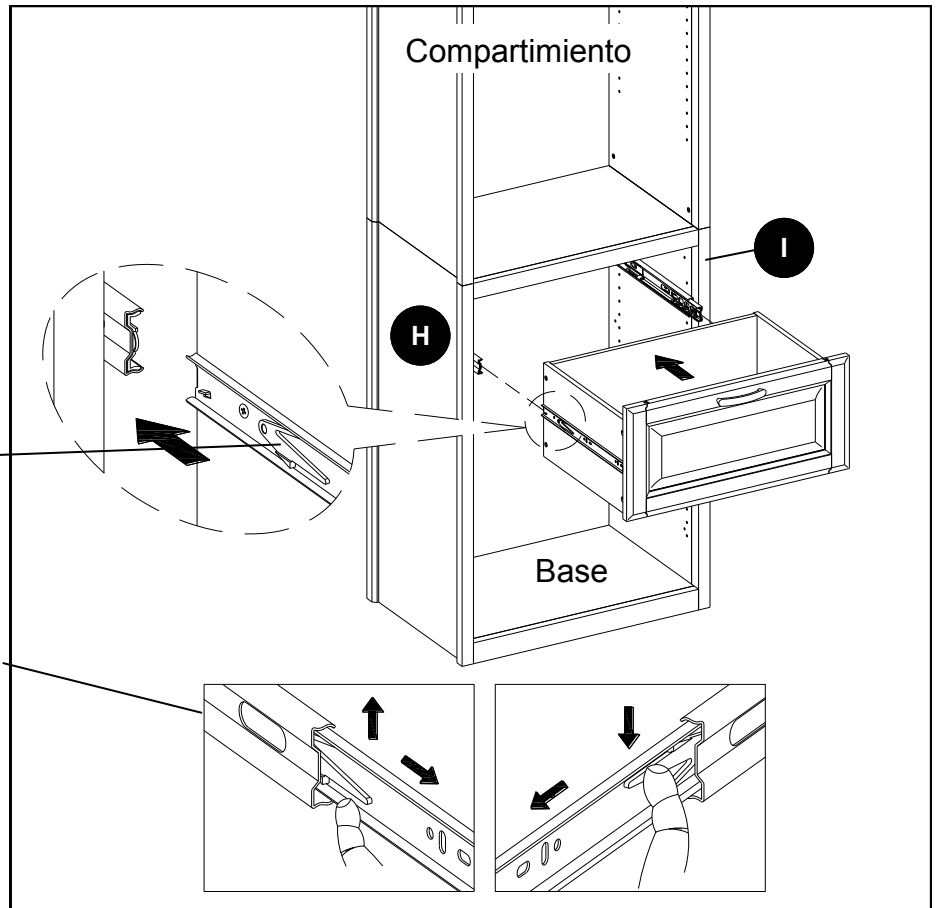


**Paso 5**

**Ensamble del Cajón**

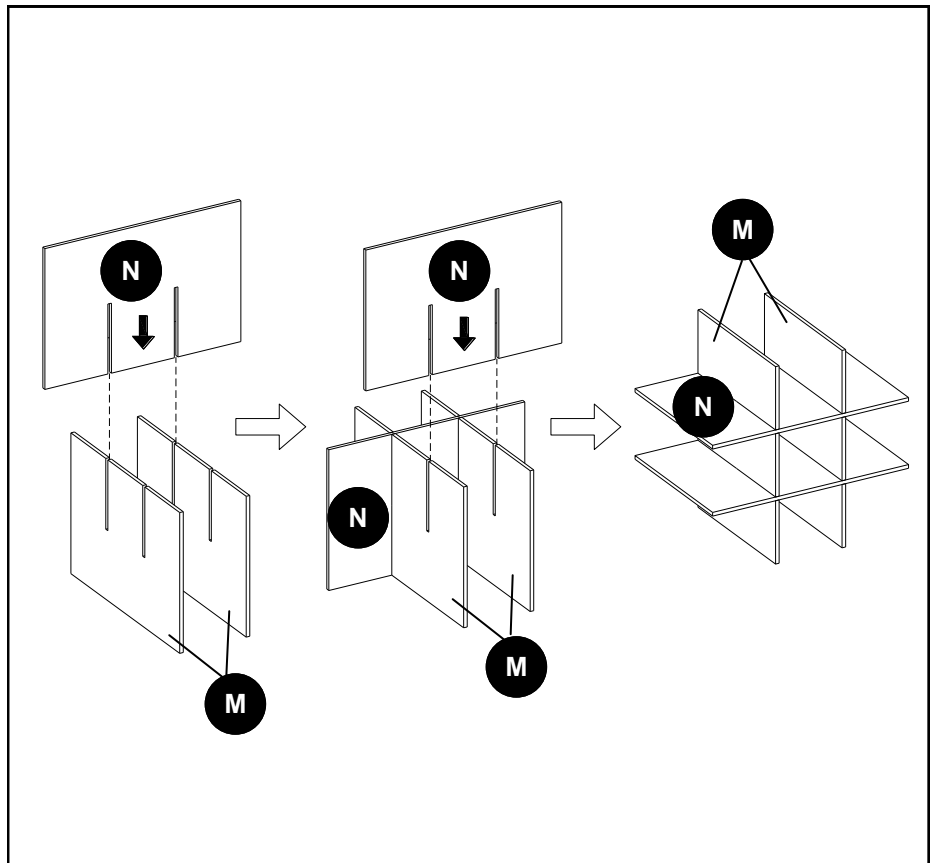
Presione hacia abajo la palanca liberadora mientras desliza el cajón.

Si usted necesita remover el cajón, extiéndalo completamente hacia afuera, después presione la palanca liberadora hacia arriba en un lado y hacia abajo el otro lado y estire el cajón completamente hacia afuera.



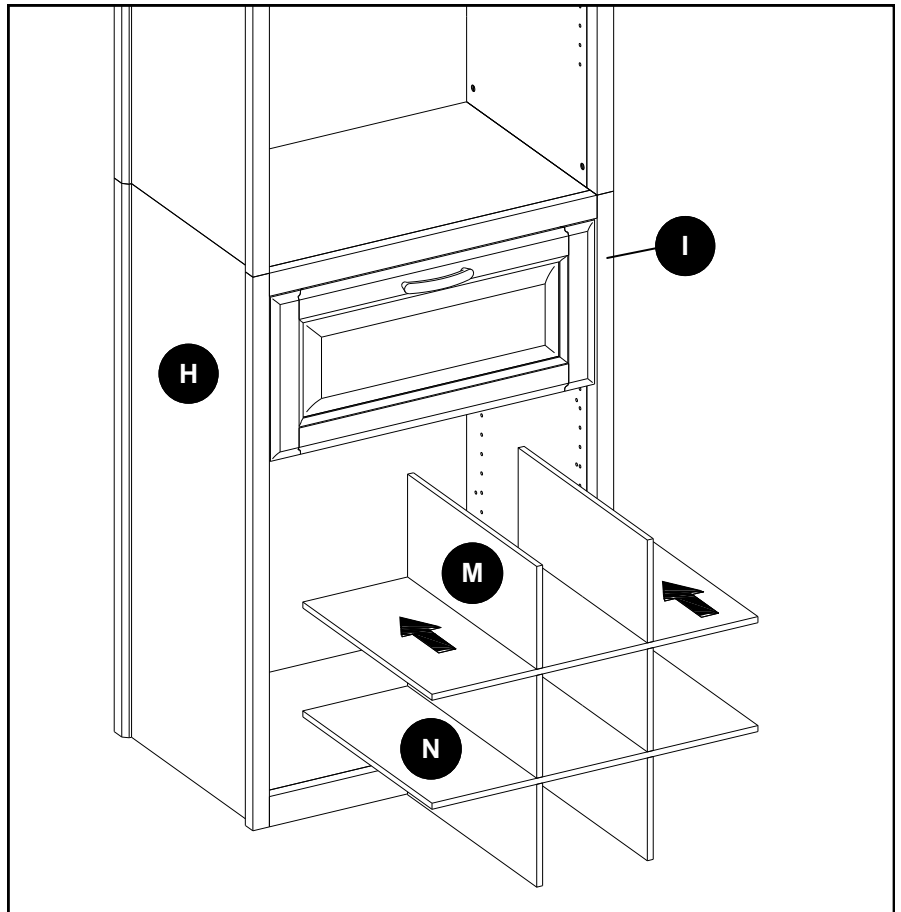
**Paso 1**

**Ensamble del Divisor de Zapatos**



**Paso 2**

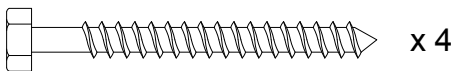
**Ensamble del Divisor de Zapatos**



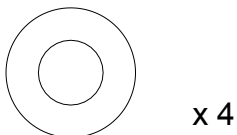
**Paso 1**

**Instalación de Colgar en Pared**

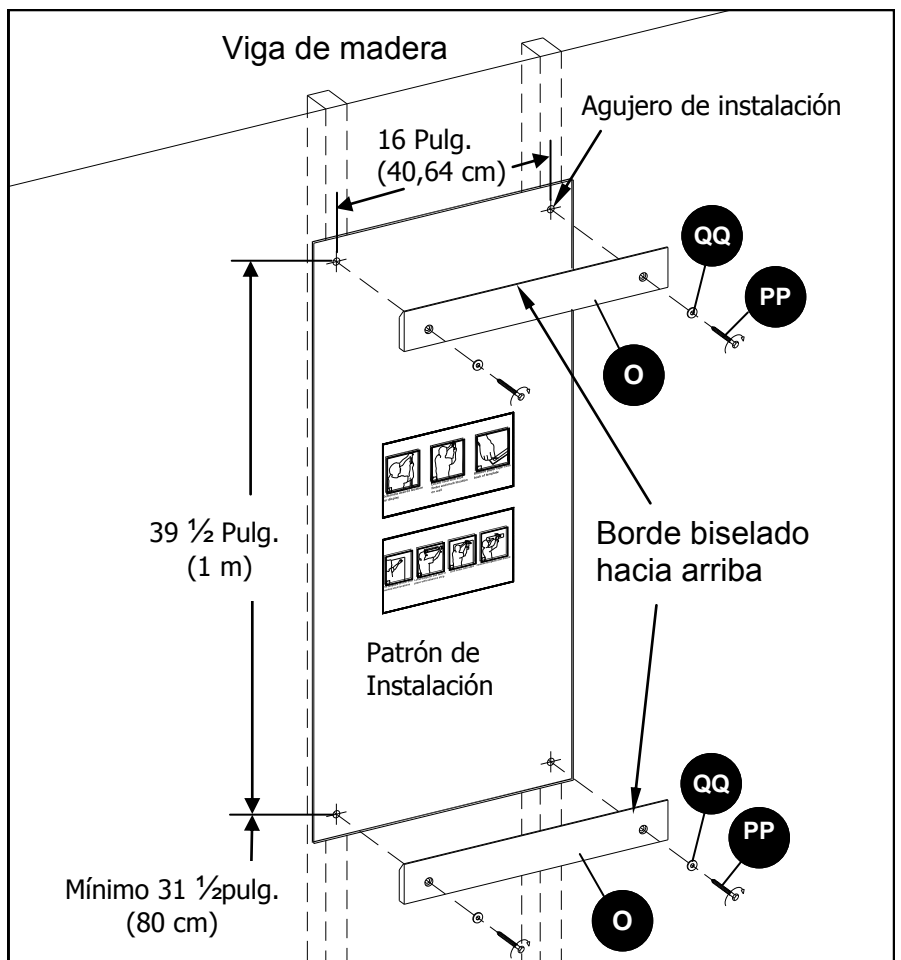
**PP** Tornillo con Cabeza Hexagonal de 8 mm x 2 ½ pulg (6,35 cm)



**QQ** Arandela Plana Grande



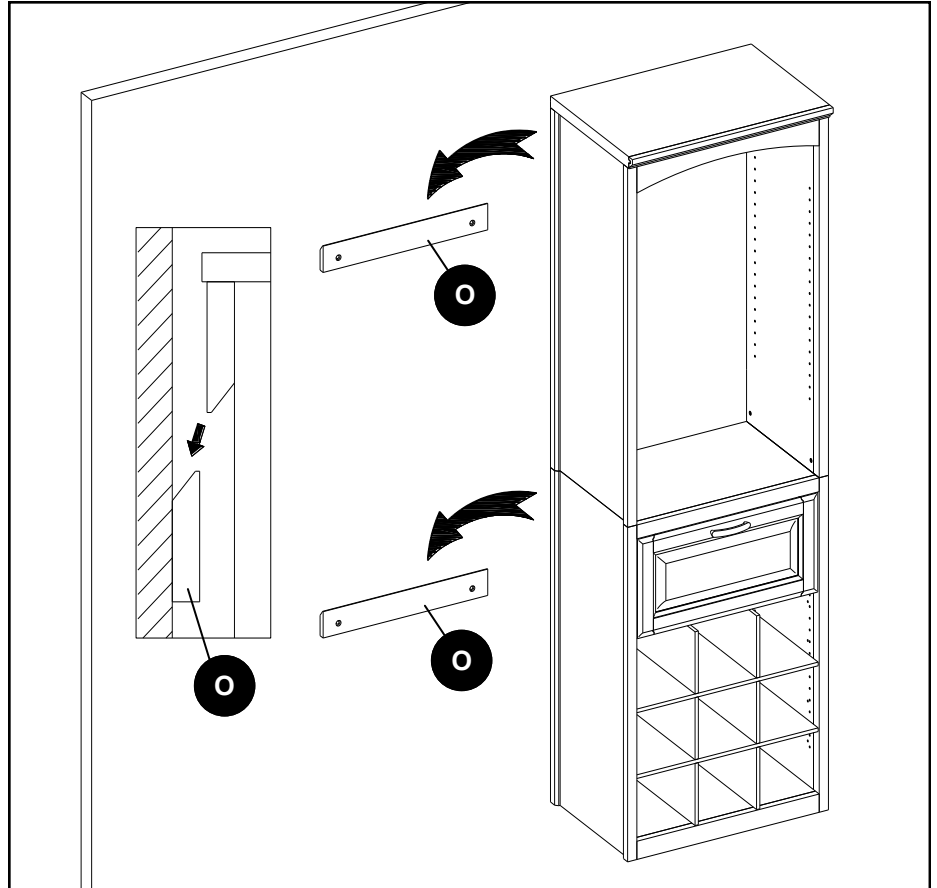
Coloque el patrón de instalación proporcionado (W) en la ubicación deseada y siga cuidadosamente las instrucciones del patrón para marcar los agujeros de la instalación. Asegúrese de que la ubicación de los dos orificios en la parte inferior de la instalación de más de 31 ½ pulgadas (80 cm) del piso. Taladre agujeros de 2 ½ pulgadas (6,35 cm) de profundidad con una broca de 3/16 pulgadas (4,8 mm) en el lugar marcado.



## Étape 2

### Instalación de Colgar en Pared

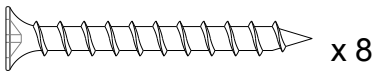
NOTA: DOS A MÁS PERSONAS DEBEN DE TRABAJAR JUNTAS PARA INSTALAR LA UNIDAD A LA PARED.



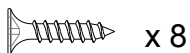
## Étape 1

### Instalación de de la Repisa Extra

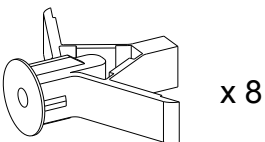
**KK** Tornillo de 4 x 38 mm



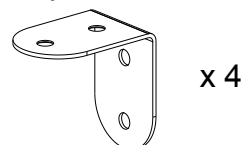
**MM** Tornillo de 4 x 14 mm



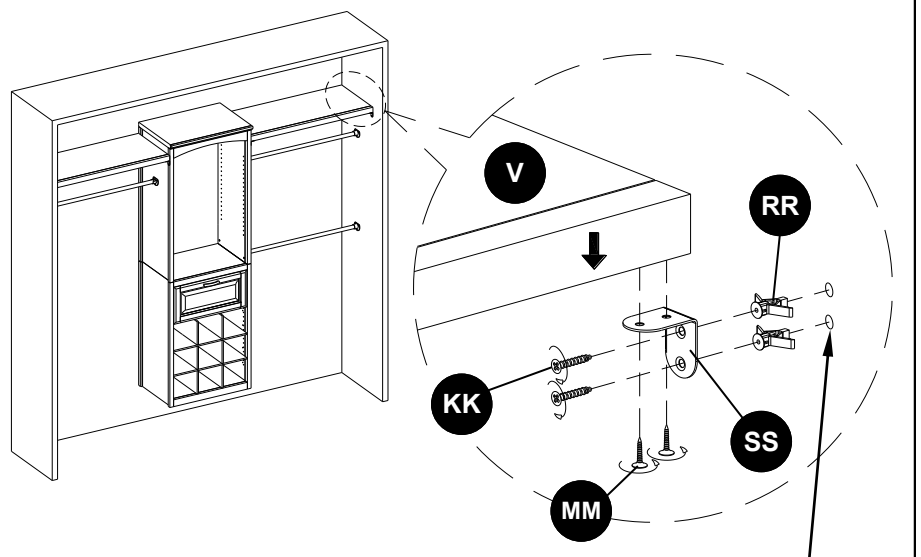
**RR** Taquete de Pared



**SS** Soporte en L



Siempre use un nivelador de calidad para asegurar que la repisa esté nivelada mientras lo instala.



Si los agujeros coinciden con las vigas de madera, se recomienda que use los tornillos en esos agujeros.

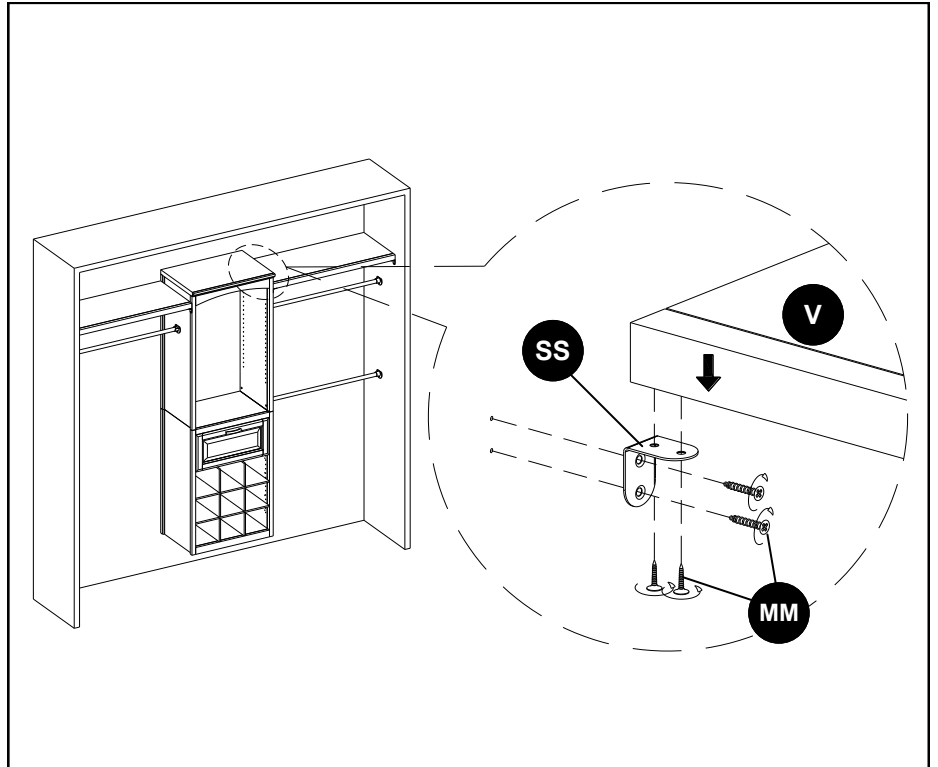
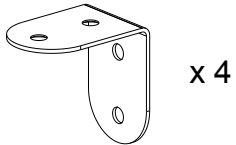
## Étape 2

### Instalación de la Repisa Extra

**MM** Tornillo de 4 x 14 mm



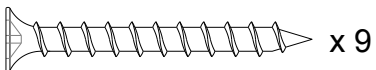
**SS** Soporte en L



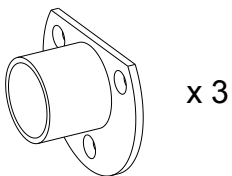
## Étape 1

### Juego de Instalación del Poste

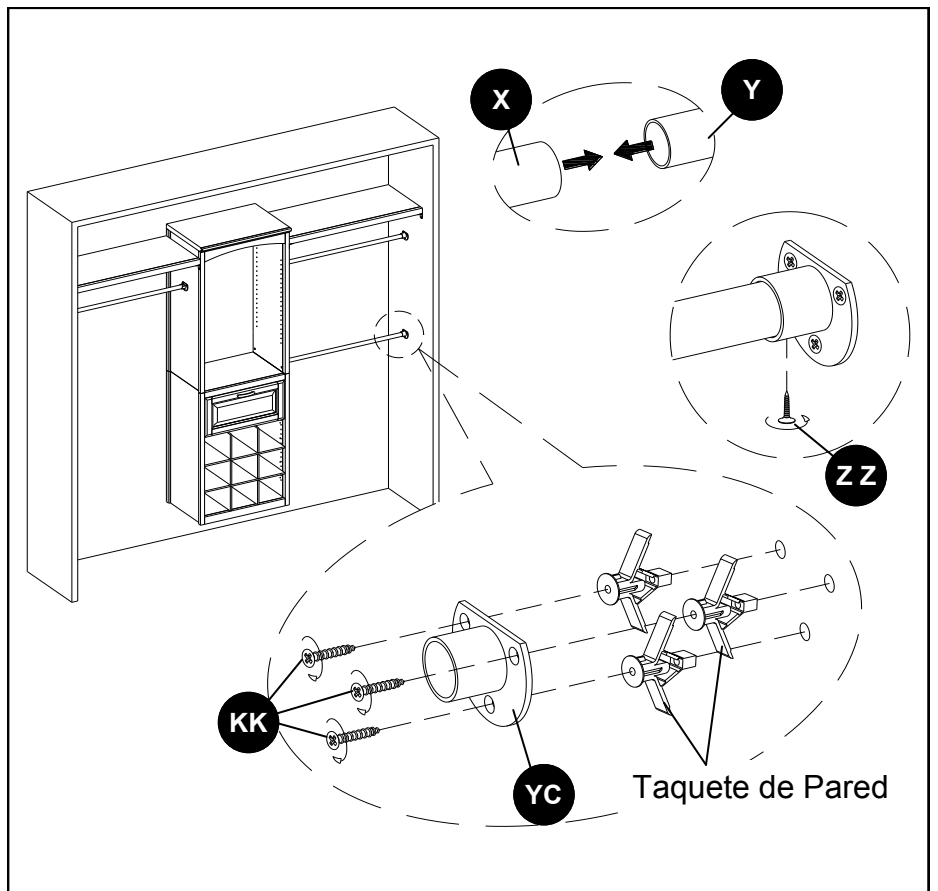
**KK** Tornillo de 4 x 38 mm



**YC** Sujetador de Poste Cerrado



**ZZ** Tornillo Autoroscable de 4 x 15 mm

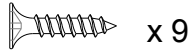




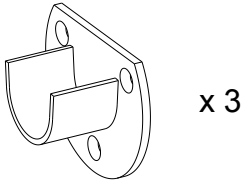
## Paso 2

### Instalación del Juego de Poste

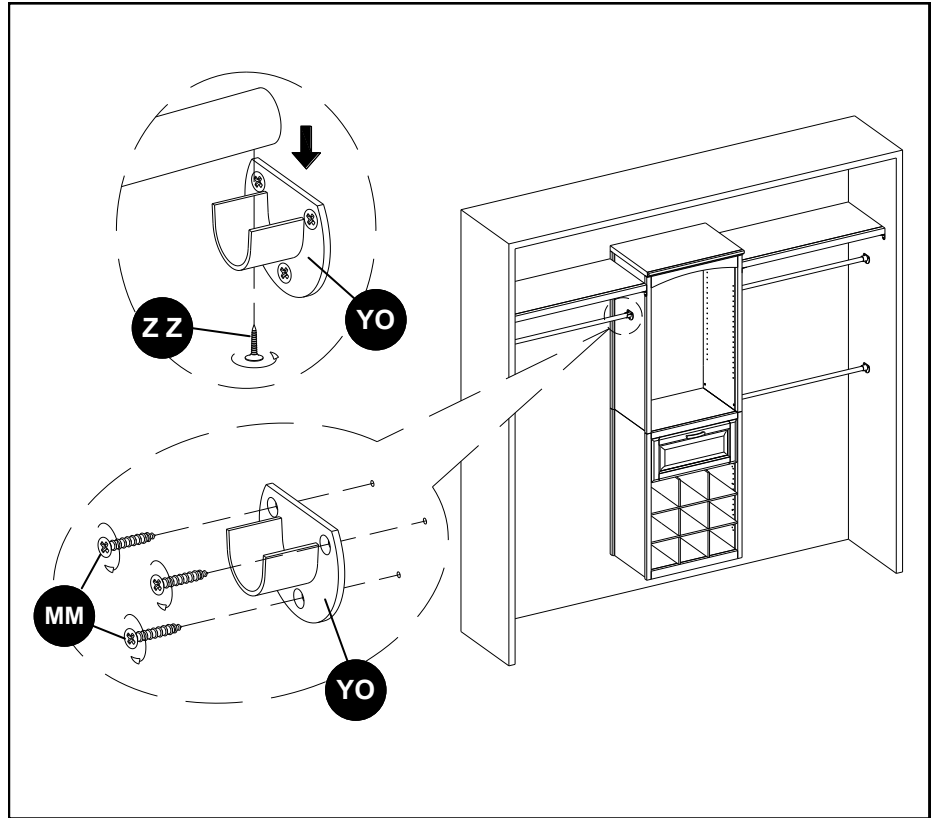
**MM** Tornillo de 4 x 14 mm



**YO** Sujetador de Poste Abierto



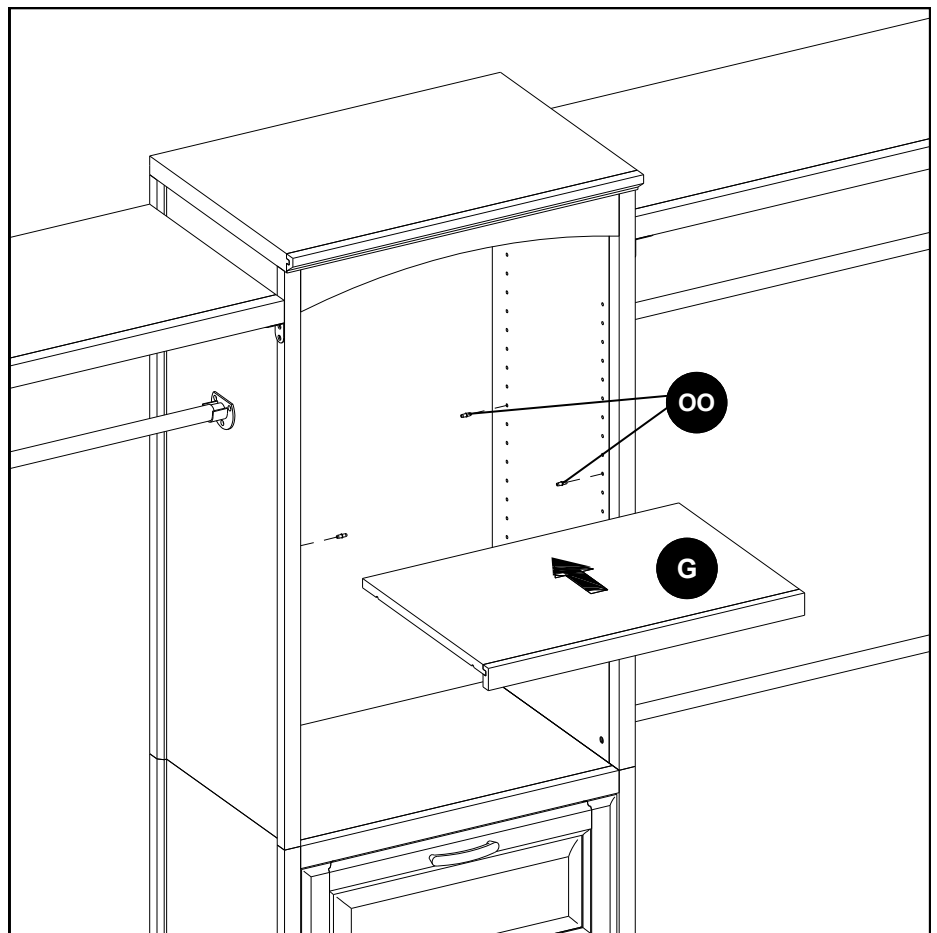
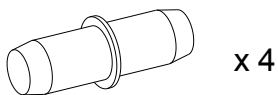
**ZZ** Tornillo Autoroscable 4 x 15 mm



## Paso 1

### Instalación de la Repisa Ajustable

**OO** Pasador de Repisa



## **CUIDADO Y MANTENIMIENTO**

---

- Revise periódicamente para asegurarse de que todos los componentes están bien posicionados, libre de daños y bien conectados.
- Utilice un paño suave y limpio para no rayar la superficie al desempolvar.
- Nunca use agua para limpiar sus muebles, ya que puede causar daño al acabado.
- Limpie con un paño húmedo, limpio y con un limpiador suave. Seque con un paño limpio.
- En caso de que sus muebles se mancha o se ha dañado durante el uso, se recomienda que llame a un profesional para reparar los muebles.
- Mantenga los muebles lejos de la luz solar directa, ya que pueden dañar el acabado.
- Es mejor mantener los muebles en un ambiente de clima controlado. temperaturas extremas y los cambios de humedad pueden causar la decoloración, deformación, la reducción y separación de la madera.
- Plumón de retoque (XX) se ha proporcionado (excepto en el artículo # 0339205) para reparar cualquier golpes o rayadura pequeña que pueden ocurrir durante el montaje o el envío.
- Si el artículo # 0339205 está dañado y retoque es necesario por favor aplique un esmalte de madera de calidad a la superficie dañada. El pulidor no se incluye con este artículo.

## **SOLUCIÓN DE PROBLEMAS**

---

Si tiene preguntas acerca del producto, por favor llame a nuestro departamento de servicio al cliente al 1-866-439-9800, de 8 am - 8 pm, Horario del Este, de Lunes - Viernes.

<b>PROBLEMA</b>	<b>POSIBLE CAUSA</b>	<b>ACCIÓN CORRECTIVA</b>
El extremo de la repisa larga (V) está flotando.	El espacio del armario es más grande que 8 pies (2,44 m)	<ol style="list-style-type: none"><li>1. Compre el soporte de repisa correspondiente y soporte para pared (se vende por separado).</li><li>2. Reemplace la repisa larga (V) con una repisa larga de un acabado similar y estilo.</li></ol>
La repisa larga (V) puede no ser instalada dentro del armario	El espacio del armario es más chico que 8 pies (2,44 m)	<ol style="list-style-type: none"><li>1. Acorte un lado de la repisa larga (V). Contrate un remodelador asegurado para la instalación.</li><li>2. Reemplace la repisa larga (V) con una repisa corta de un acabado similar y estilo.</li></ol>

## GARANTÍA LIMITADA DE POR VIDA

Este producto (con exclusión de las repisas) está garantizado para el comprador original. Si hay una falla en esta unidad debido a defectos en materiales o mano de obra, el fabricante reparará o reemplazará este artículo a nuestra discreción, sin cargo. La garantía se anula si el producto ha sido montado de forma incorrecta, mal uso, abuso por sobrecarga, alterado en cualquier forma o dañados debido a un accidente. Esta garantía no es transferible y no cubre astilladuras, descascaraduras, rayaduras, corrosión, abolladuras u otros daños a la superficie de este producto. La responsabilidad del fabricante se limita a la reparación o reemplazo de este producto. El fabricante no se hace responsable por daños indirectos, incidentales, o de otro tipo o pérdidas resultantes de la falla del producto.

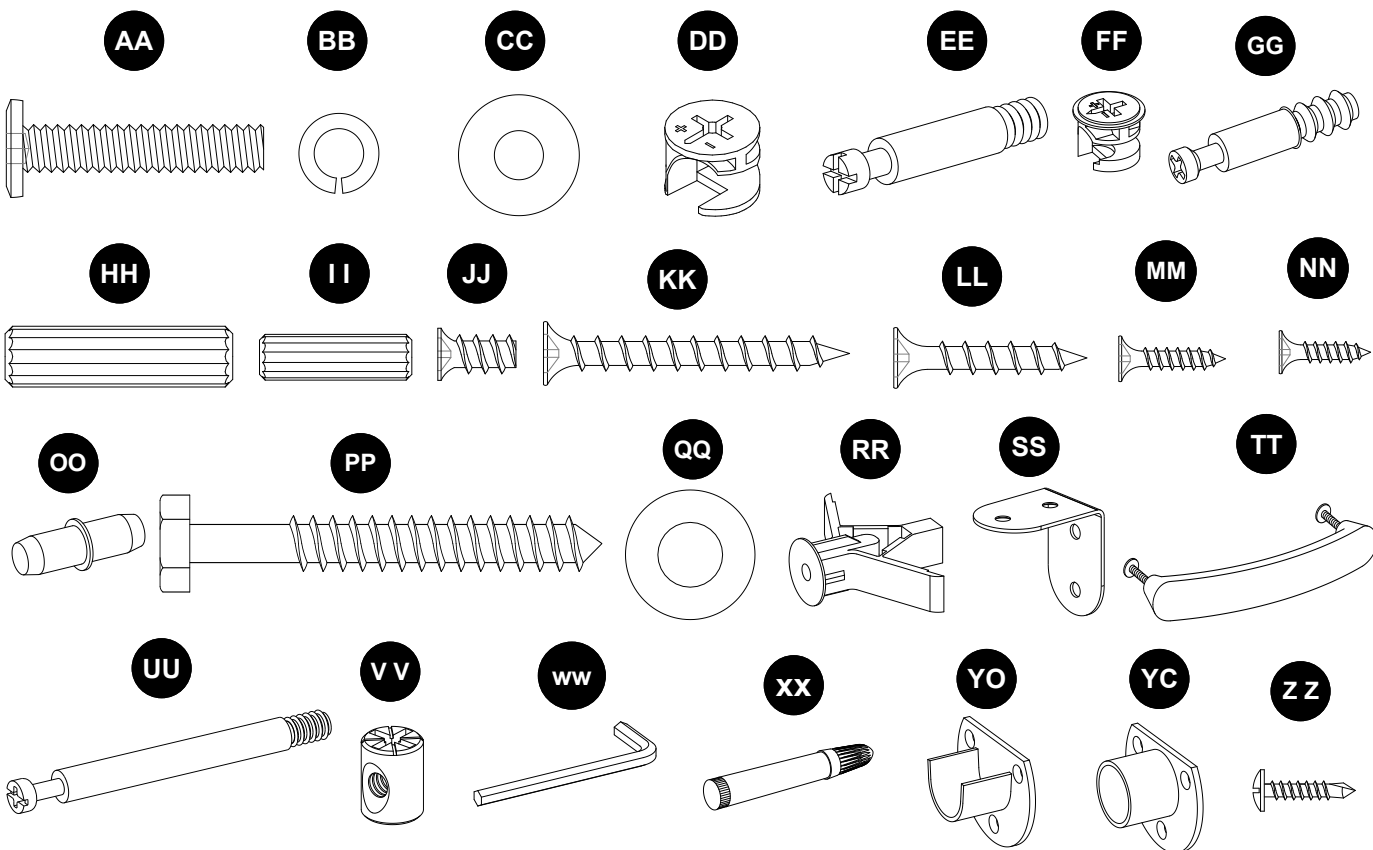
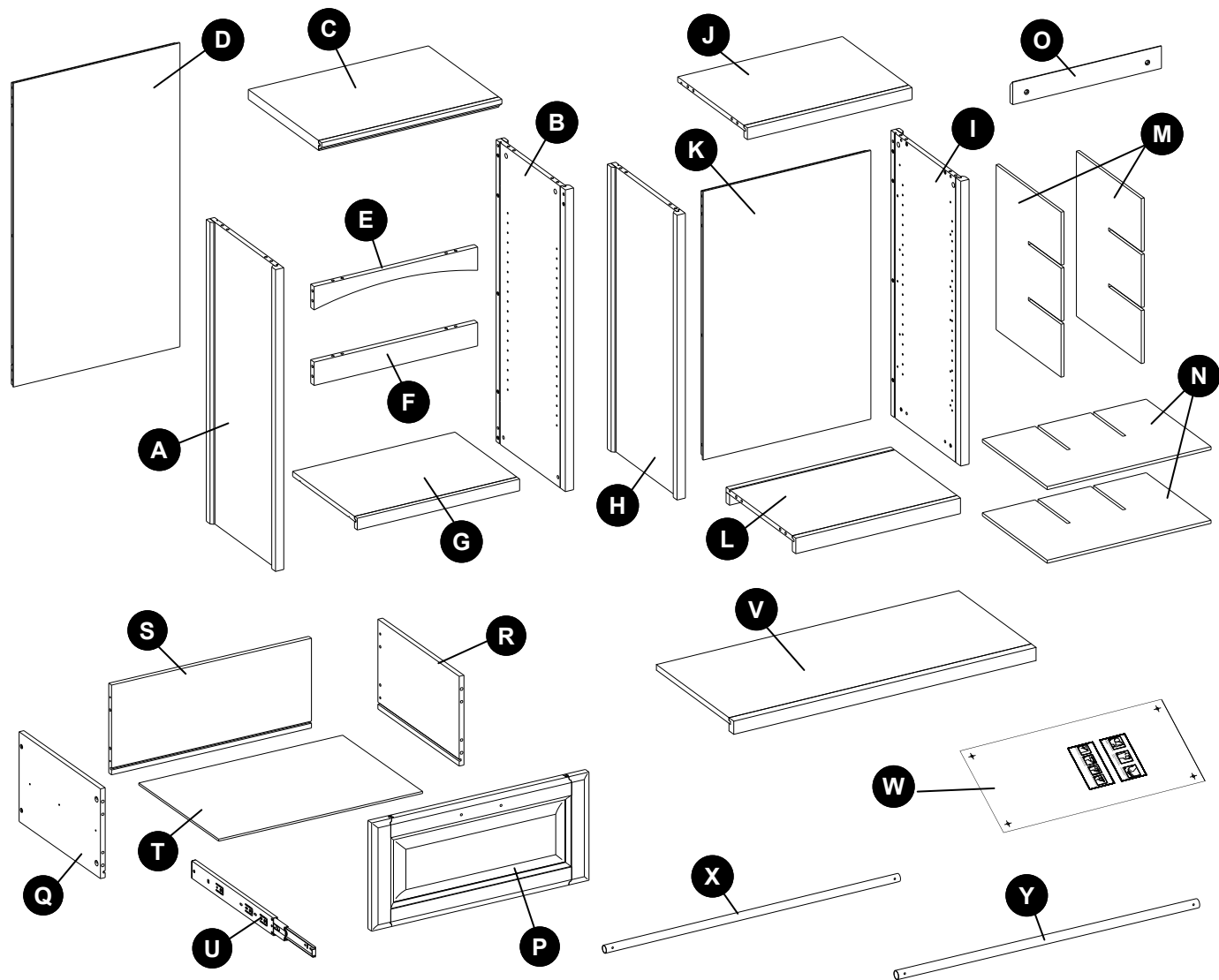
Esta garantía está en lugar de cualquier otra garantía expresa. Algunos estados no permiten la exclusión o limitación de daños incidentales o consecuentes, por lo que la limitación anterior puede no aplicarse a usted. Esta garantía le otorga derechos legales específicos y usted puede tener otros derechos que varían de estado a estado.

## LISTA DE PARTES DE REPUESTO

Para piezas de repuesto, llame a nuestro departamento de servicio al cliente al 1-866-439-9800, de 8 am - 8 pm, horario del Este, de Lunes - Viernes.

PARTE	DESCRIPCIÓN	# DE PARTE
A	Panel Izquierdo del Compartimiento	*WSWS-CS1C/W/P/S-1-HPL
B	Panel Derecho del Compartimiento	*WSWS-CS1C/W/P/S-2-HPR
C	Panel Superior del Compartimiento	*WSWS-CS1C/W/P/S-3-HPT
D	Panel Posterior del Compartimiento	*WSWS-CS1C/W/P/S-4-HPB
E	Restirador Curvo Frontal	*WSWS-CS1C/W/P/S-5-FCS
F	Restirador Recto Frontal	*WSWS-CS1C/W/P/S-6-FCS
G	Repisa Ajustable	*WSWS-CS1C/W/P/S-7-AS
H	Panel Izquierdo de Base	*WSWS-CS1C/W/P/S-8-BPL
I	Panel Derecho de Base	*WSWS-CS1C/W/P/S-9-BPR
J	Panel Superior de la Base	*WSWS-CS1C/W/P/S-10-BPT
K	Panel Posterior de la Base	*WSWS-CS1C/W/P/S-11-BPB
L	Panel Inferior de la Base	*WSWS-CS1C/W/P/S-12-BPB
M	Panel Divisor	*WSWS-CS1C/W/P/S-13-PP
N	Repisa para Zapatos	*WSWS-CS1C/W/P/S-14-SDS
O	Cuña para Colgar en Pared	*WSWS-CS1C/W/P/S-15-WHC
P	Cajón Frontal	*WSWS-CS1C/W/P/S-16-DF
Q	Panel Izquierdo de Cajón	*WSWS-CS1C/W/P/S-17-DPL
R	Panel Derechode Cajón	*WSWS-CS1C/W/P/S-18-DPR
S	Cajón Posterior	*WSWS-CS1C/W/P/S-19-DB

<b>PARTE</b>	<b>DESCRIPCIÓN</b>	<b># DE PARTE</b>
T	Cajón Inferior	*WSWS-CS1C/W/P/S-20-DB
U	Deslizadores de Cierre Automático	*WSWS-CS1C/W/P/S-21-SCS
V	Repisa Larga	*WSWS-CS1C/W/P/S-23-LS
W	Patrón de Instalación	*WSWS-CS1C/W/P/S-52-IT
X	Poste de Metal de 22 mm	*WSWS-CS1C/W/P/S-24-22MP
Y	Poste de Metal de 25 mm	*WSWS-CS1C/W/P/S-25-25MP
AA	Tornillo de 1/4 x 1-1/4 pulg (3,2 cm)	*WSWS-CS1C/W/P/S-27-1 1/4B
BB	Arandela de Presión	*WSWS-CS1C/W/P/S-28-LW
CC	Arandela Plana	*WSWS-CS1C/W/P/S-29-FW
DD	Candado de Leva Grande	*WSWS-CS1C/W/P/S-30-LCL
EE	Tornillo de Leva Medio	*WSWS-CS1C/W/P/S-31-MCB
FF	Candado de Leva Chico	*WSWS-CS1C/W/P/S-32-SCL
GG	Tornillo de Leva Chico	*WSWS-CS1C/W/P/S-33-SCB
HH	Clavija de Madera Grande	*WSWS-CS1C/W/P/S-34-LWD
II	Clavija de Madera Chica	*WSWS-CS1C/W/P/S-35-SWD
JJ	Tornillo de 6 x 10 mm	*WSWS-CS1C/W/P/S-36-M6X10S
KK	Tornillo de 4 x 38 mm	*WSWS-CS1C/W/P/S-37-38WS
LL	Tornillo de 4 x 25 mm	*WSWS-CS1C/W/P/S-38-25WS
MM	Tornillo de 4 x 14 mm	*WSWS-CS1C/W/P/S-39-14WS
NN	Tornillo de 3,5 x 12 mm	*WSWS-CS1C/W/P/S-40-12FHWS
OO	Pasador de Repisa	*WSWS-CS1C/W/P/S-41-SP
PP	Tornillo de 8 mm x 2-1/2 pulg (6,35 cm)	*WSWS-CS1C/W/P/S-42-2 1/2LB
QQ	Arandela Plana Grande	*WSWS-CS1C/W/P/S-43-LFW
RR	Taquete de Pared	*WSWS-CS1C/W/P/S-44-WA
SS	Soporte en L	*WSWS-CS1C/W/P/S-45-LB
TT	Agarradera para cajón y tornillos	*WSWS-CS1C/W/P/S-22-DHB
UU	Tornillo de Leva Grande	*WSWS-CS1C/W/P/S-53-LCB
VV	Tuerca Barril	*WSWS-CS1C/W/P/S-54-BN
WW	Llave Allen de 4 mm	*WSWS-CS1C/W/P/S-46-M4AW
XX	Plumón para Retoques	*WSWS-CS1C/W/S-50-TUP
YO	Sujetador de Poste Abierto	*WSWS-CS1C/W/P/S-48-OPH
YC	Sujetador de Poste Cerrado	*WSWS-CS1C/W/P/S-49-CPH
ZZ	Tornillo Autoroscable de 4 x 15 mm	*WSWS-CS1C/W/P/S-47-15SS
	Artículos de ferretería completos	*WSWS-CS1C/W/P/S-48-CH



Impreso en Vietnam