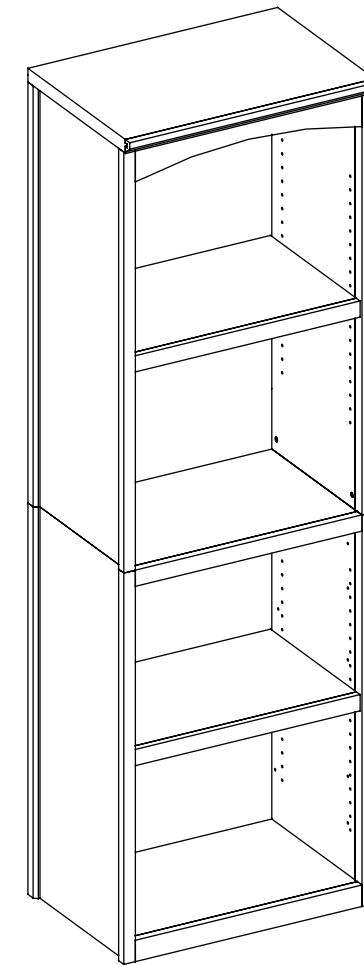


allen + roth®

welcoming • sophisticated • inspiring



allen + roth® is a registered trademark of LF, LLC. All Rights Reserved.

ITEM #0339207, 0339208, 0339209, 0339210

PREMIUM WOOD TOWER

MODEL#WSWS-WU1C, WSWS-WU1W
WSWS-WU1P, WSWS-WU1S

Français p. 14

Español p. 27

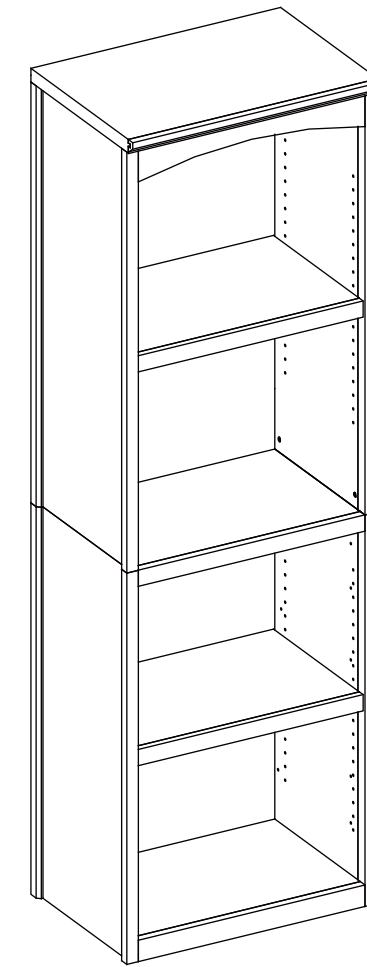
ATTACH YOUR RECEIPT HERE

Serial Number _____ Purchase Date _____

Questions, problems, missing parts? Before returning to your retailer, call our customer service department at 1-866-439-9800, 8 a.m. – 8 p.m., EST, Monday - Friday.

allen + roth®

welcoming • sophisticated • inspiring



allen + roth® is a registered trademark of LF, LLC. All Rights Reserved.

ITEM #0339207, 0339208, 0339209, 0339210

PREMIUM WOOD TOWER

MODEL#WSWS-WU1C, WSWS-WU1W
WSWS-WU1P, WSWS-WU1S

Français p. 14

Español p. 27

ATTACH YOUR RECEIPT HERE

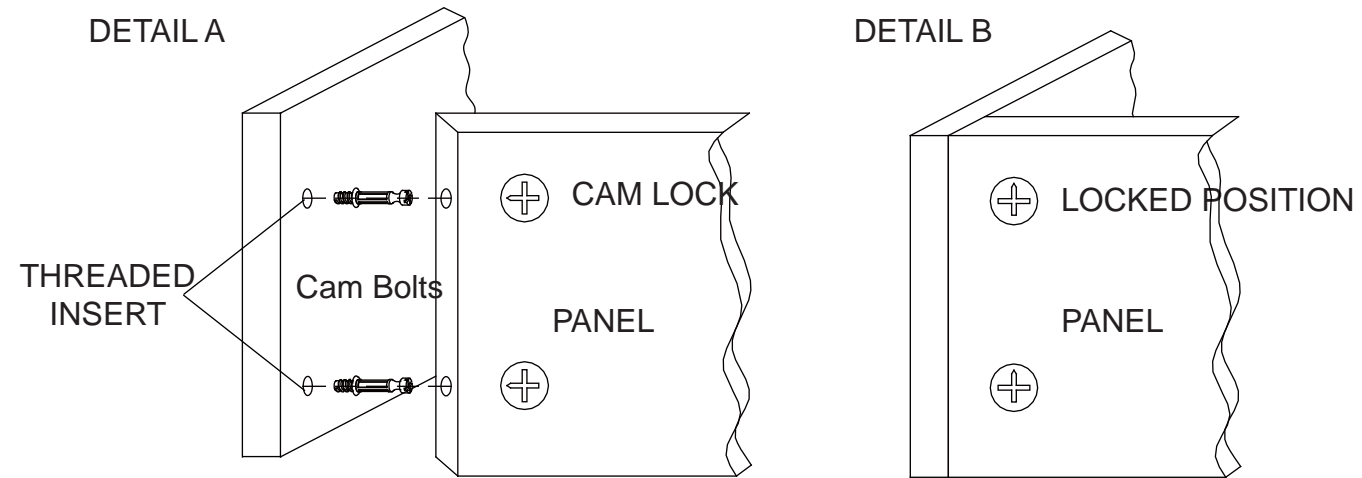
Serial Number _____ Purchase Date _____

Questions, problems, missing parts? Before returning to your retailer, call our customer service department at 1-866-439-9800, 8 a.m. – 8 p.m., EST, Monday - Friday.

TABLE OF CONTENTS

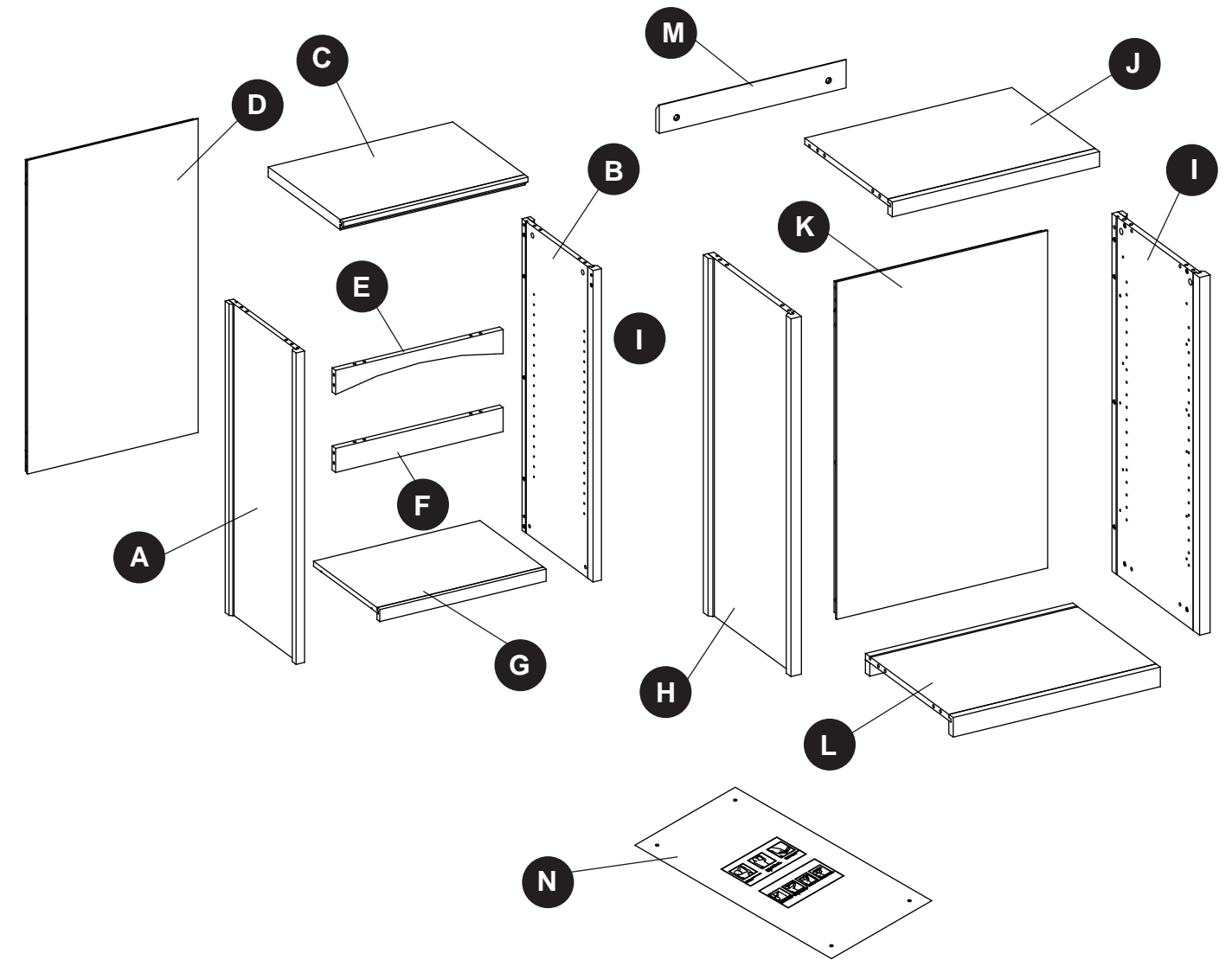
| | |
|-------------------------------|----|
| Camlock System Operation..... | 2 |
| Package Contents..... | 3 |
| Hardware Contents..... | 4 |
| Safety Information..... | 5 |
| Preparation | 5 |
| Assembly Instructions..... | 6 |
| Care and Maintenance | 11 |
| Troubleshooting..... | 11 |
| Warranty..... | 12 |
| Replacement Parts List | 12 |

CAM LOCK SYSTEM OPERATION



1. Screw cam bolts into the predrilled small holes on panel.
2. Insert cam lock into predrilled large hole on panel.
3. Make sure the arrow on the cam lock is pointed toward the cam bolts.
4. Connect both panels together, making sure cam bolts goes into predrilled hole on the end of panel with cam lock.
5. Once cam bolts is connected inside cam lock, take Phillips screwdriver and tighten cam lock clockwise.

PACKAGE CONTENTS

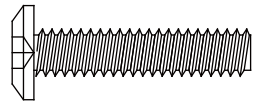


| PART | DESCRIPTION | QUANTITY |
|------|--------------------------|----------|
| A | Hutch Panel Left | 1 |
| B | Hutch Panel Right | 1 |
| C | Hutch Panel Top | 1 |
| D | Hutch Panel Back | 1 |
| E | Front Curved Stretcher | 1 |
| F | Front Straight Stretcher | 1 |
| G | Adjustable Shelf | 2 |

| PART | DESCRIPTION | QUANTITY |
|------|-----------------------|----------|
| H | Base Panel Left | 1 |
| I | Base Panel Right | 1 |
| J | Base Panel Top | 1 |
| K | Base Panel Back | 1 |
| L | Base Panel Bottom | 1 |
| M | Wall Hanging Cleat | 2 |
| N | Installation Template | 1 |

HARDWARE CONTENTS (shown actual size)

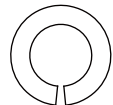
AA



Bolt

Qty. 12

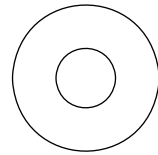
BB



Lock Washer

Qty. 12

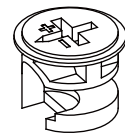
CC



Flat Washer

Qty. 12

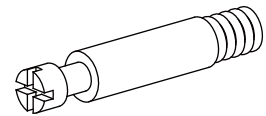
DD



Large Cam Lock

Qty. 34

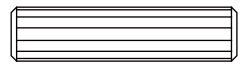
EE



Medium Cam Bolt

Qty. 30

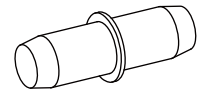
FF



Large Wood Dowel

Qty. 34

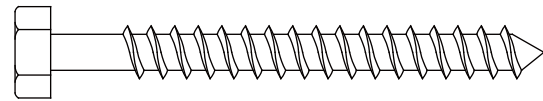
GG



Shelf Pin

Qty. 8

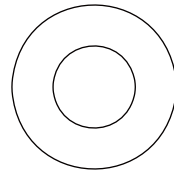
HH



Lag Bolt

Qty. 4

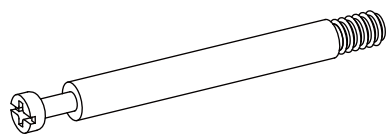
II



Large Flat Washer

Qty. 4

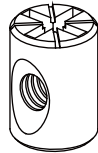
JJ



Large Cam Bolt

Qty. 4

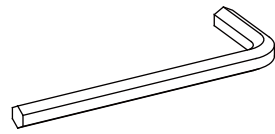
KK



Barrel Nut

Qty. 4

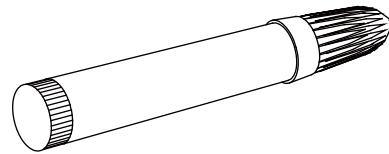
LL



Allen Wrench

Qty. 1

MM



Touch-up Pen

Qty. 1
(not included for Item #0339209)



SAFETY INFORMATION

Please read and understand this entire manual before attempting to assemble, operate or install the product.

- Do not allow children to climb or play in or around this product.
- Use this unit for its intended purpose only. Do not use shelves as step ladder.
- To avoid damage, assemble the product on a sturdy, level and protective surface.
- Two or more persons must work together to install the unit onto the wall.
- Make sure all bolts/screws are tightly fastened before the unit is used.
- Check bolts/screws periodically and tighten them if necessary.
- Each shelf maximum load: 30 lbs.



WARNING

THIS UNIT IS INTENDED FOR USE ONLY WITH THE MAXIMUM WEIGHTS INDICATED. USE WITH PRODUCTS HEAVIER THAN THE MAXIMUM WEIGHTS INDICATED MAY RESULT IN INSTABILITY CAUSING POSSIBLE INJURY. DISTRIBUTE WEIGHT EVENLY.

PREPARATION

Before beginning assembly of product, make sure all parts are present. Compare parts with package contents list and hardware contents list. If any part is missing or damaged, do not attempt to assemble the product.

Estimated Assembly Time: 60 minutes

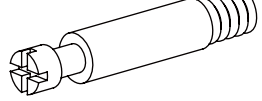
Tools Required for Assembly (not included): Phillips Screwdriver, Level, Power Drill, 3/16 in. Drill Bit, 3/8 in. Drill Bit, 1/2 in. Socket Wrench, Stud Finder, Marking Pencil, Tape Measure, Step Ladder, and Hammer.

ASSEMBLY INSTRUCTIONS

Base Assembly

1. Insert medium cam bolts (EE) into base panel left (H), base panel right (I) and base panel top (J).

Hardware Used

EE Medium Cam Bolt  x 12

2. Attach base panel back (K) to base panel top (J) using large wood dowels (FF) and large cam lock (DD).

Note: Make sure medium cam bolts (EE) previously inserted into base panel top (J) are completely seated.

Hardware Used

DD Large Cam Lock  x 2

FF Large Wood Dowel  x 2

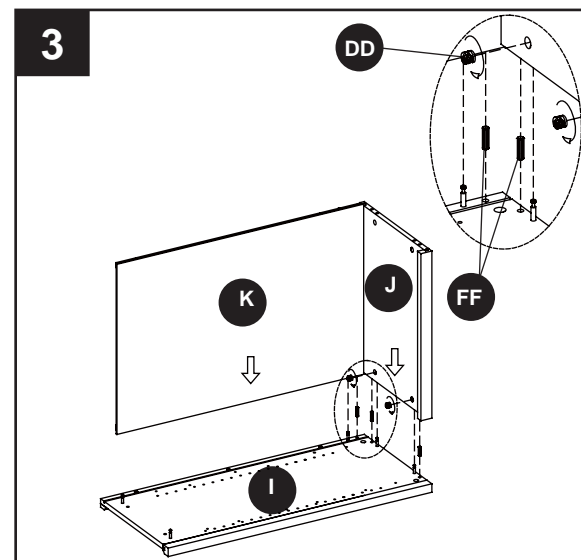
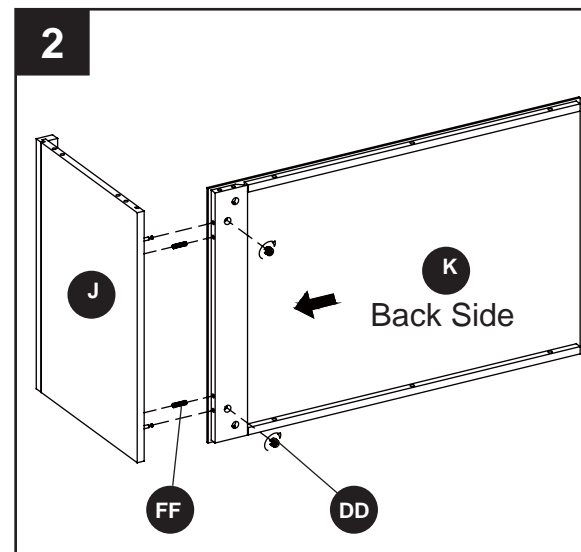
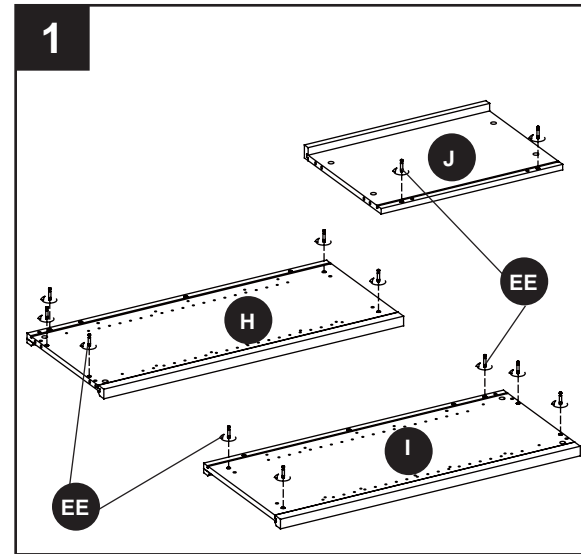
3. Attach base panel right (I) to assembly using large wood dowels (FF) and large cam locks (DD).

Note: Make sure medium cam bolts (EE) previously inserted into base panel right (I) are completely seated.

Hardware Used

DD Large Cam Lock  x 2

FF Large Wood Dowel  x 3



ASSEMBLY INSTRUCTIONS

4. From the back of the assembly, attach base panel right (I) to base panel back (K) using flat washers (CC), lock washers (BB) and bolts (AA). Tighten with Allen wrench (LL). Secure base panel top (J) with large cam locks (DD).

Hardware Used

AA Bolt  x 3

BB Lock Washer  x 3

CC Flat Washer  x 3

DD Large Cam Lock  x 1

LL Allen Wrench  x 1

5. Fit base panel back (K) into slot of base panel bottom (L), then attach base panel bottom (L) to assembly using large wood dowels (FF) and large cam locks (DD).

Note: Make sure medium cam bolts (EE) previously inserted into base panel right (I) are completely seated.

Hardware Used

DD Large Cam Lock  x 2

FF Large Wood Dowel  x 2

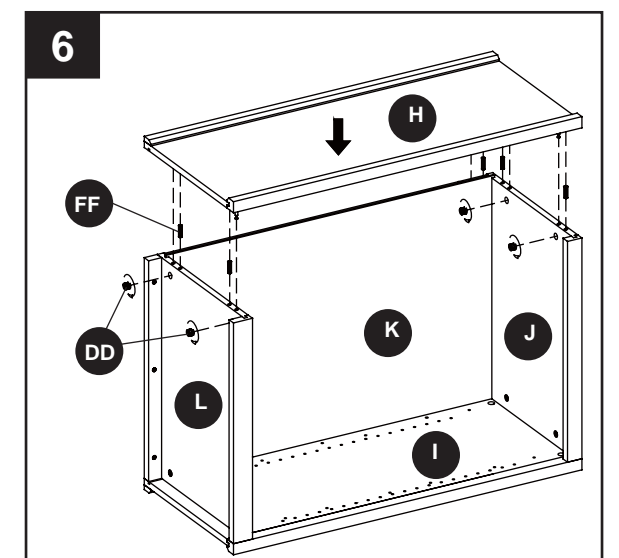
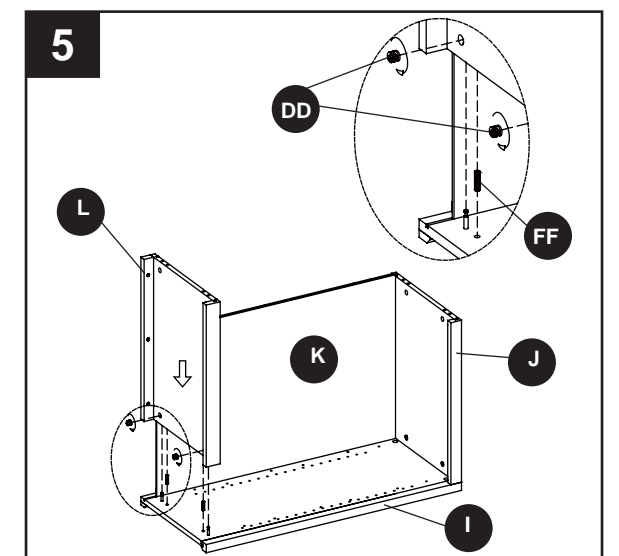
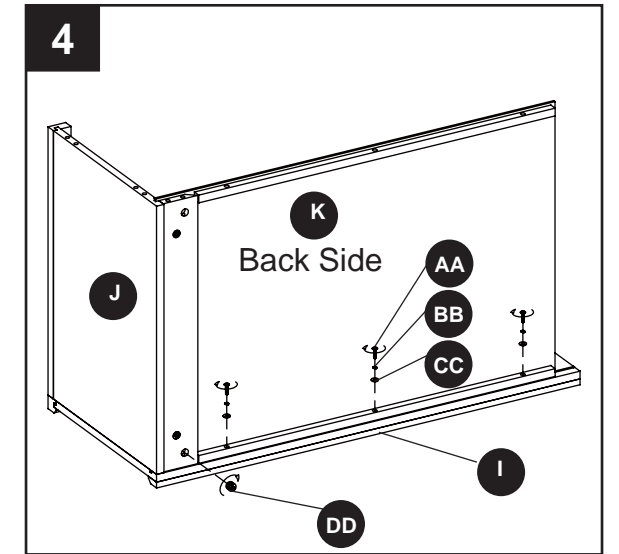
6. Attach base panel left (H) to assembly using large wood dowels (FF) and large cam locks (DD).

Note: Make sure medium cam bolts (EE) previously inserted into base panel left (H) are completely seated.

Hardware Used

DD Large Cam Lock  x 4

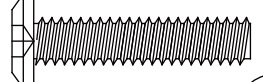

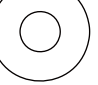
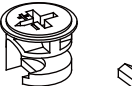

FF Large Wood Dowel  x 5



ASSEMBLY INSTRUCTIONS

7. From the back of the assembly, attach base panel left (H) to base panel back (K) using flat washers (CC), lock washers (BB) and bolts (AA). Tighten with Allen wrench (LL). Secure base panel top (J) with large cam locks (DD).

Hardware Used

| | | | |
|-----------|----------------|---|-----|
| AA | Bolt |  | x 3 |
| BB | Lock Washer |  | x 3 |
| CC | Flat Washer |  | x 3 |
| DD | Large Cam Lock |  | x 1 |
| LL | Allen Wrench |  | x 1 |

Hutch Assembly

8. Insert medium cam bolts (EE) into hutch panel left (A), hutch panel right (B) and hutch panel top (C).





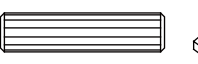

Hardware Used

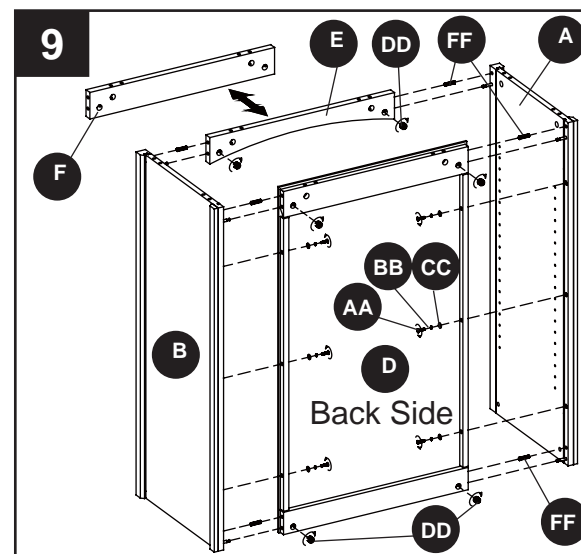
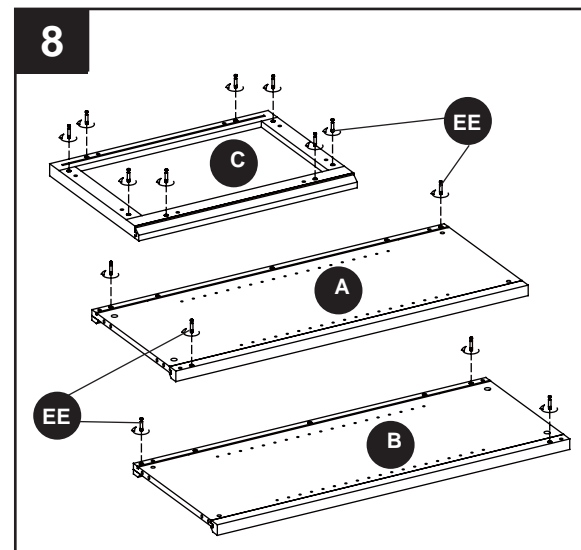
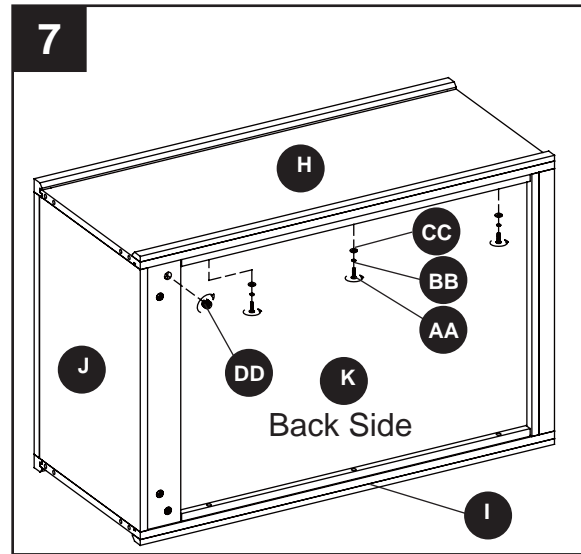
| | | | |
|-----------|-----------------|--|------|
| EE | Medium Cam Bolt |  | x 14 |
|-----------|-----------------|--|------|

9. Attach hutch panel left (A) and hutch panel right (B) to hutch panel back (D) and either front curved stretcher (E) or front straight stretcher (F) -- depending on which fits your closet look -- using large wood dowels (FF) and large cam locks (DD). From the back of the assembly, use flat washers (CC), lock washers (BB) and bolts (AA) to secure unit. Tighten with Allen wrench (LL).

Then, secure assembly with large cam locks (DD).

Hardware Used


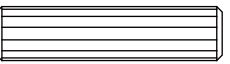
| | | | |
|-----------|------------------|---|-----|
| AA | Bolt |  | x 6 |
| BB | Lock Washer |  | x 6 |
| CC | Flat Washer |  | x 6 |
| DD | Large Cam Lock |  | x 6 |
| FF | Large Wood Dowel |  | x 6 |
| LL | Allen Wrench |  | x 1 |



ASSEMBLY INSTRUCTIONS


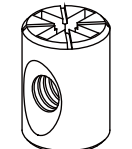
10. Insert wood dowels (FF) and large cam locks (DD) into hutch assembly. Attach hutch panel top (C), tightening large cam locks (DD) to secure assembly.

Hardware Used

| | | | |
|-----------|------------------|---|-----|
| DD | Large Cam Lock |  | x 8 |
| FF | Large Wood Dowel |  | x 8 |

11. Carefully rest hutch assembly on its side. Insert barrel nuts (KK) and large cam bolts (JJ) into the bottom of the hutch assembly.

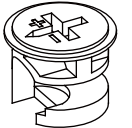

Hardware Used

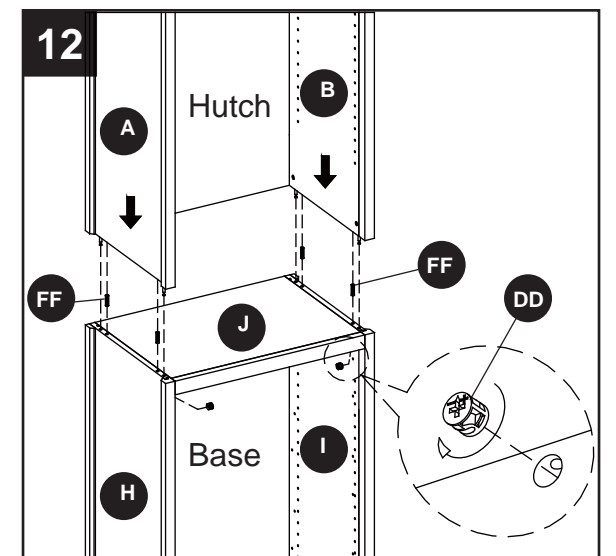
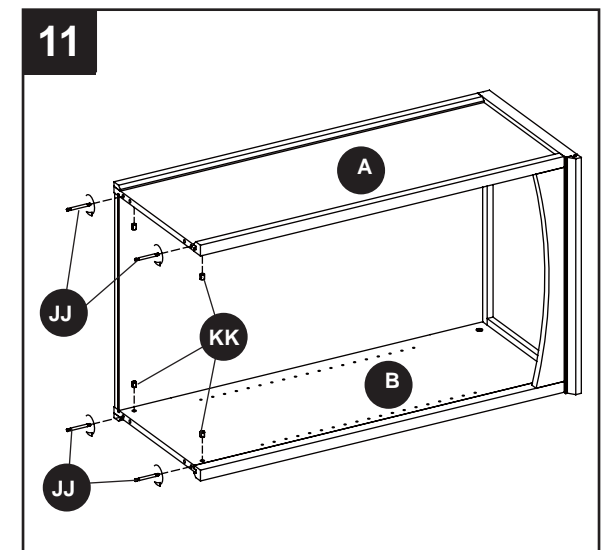
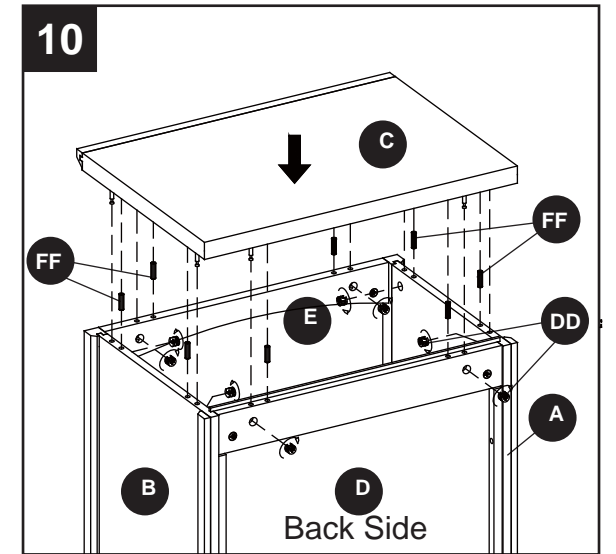
| | | | |
|-----------|----------------|---|-----|
| JJ | Large Cam Bolt |  | x 4 |
| KK | Barrel Nut |  | x 4 |

12. Insert large wood dowels (FF) and large cam locks (DD) into the base panel top (J). Then, with the help of another person, attach the hutch assembly to the base assembly, tightening the large cam locks (DD) to secure the unit.

Note: Make sure large cam bolts (JJ) are completely seated.

Hardware Used

| | | | |
|-----------|------------------|---|-----|
| DD | Large Cam Lock |  | x 4 |
| FF | Large Wood Dowel |  | x 4 |



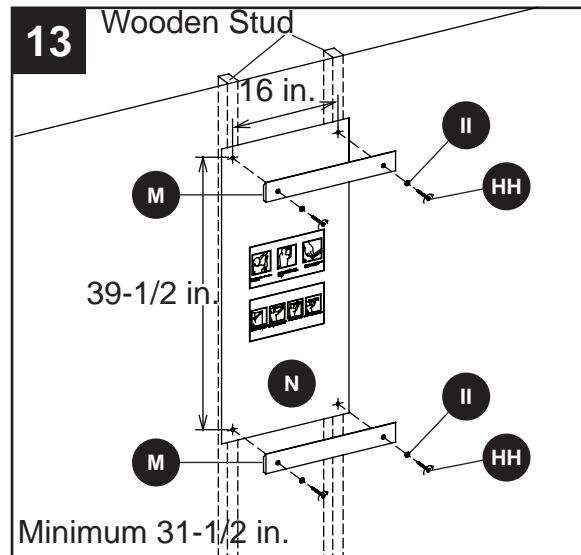
ASSEMBLY INSTRUCTIONS

Wall Hanging Installation

13. Using a stud finder, locate the edges of the wood studs. Find the center line of each stud and draw a vertical reference line on the wall over each one. Position installation template (N) at desired location on wall.

Note: The bottom of the installation template (N) should be no less than 31-1/2 in. from the floor.

Mark mounting holes with a pencil (not included) and discard installation template (N). Drill 3/16 in. pilot holes at marked locations. Then, with the beveled edge facing up, attach the wall hanging cleats (M) with large flat washers (II) and lag bolts (HH).

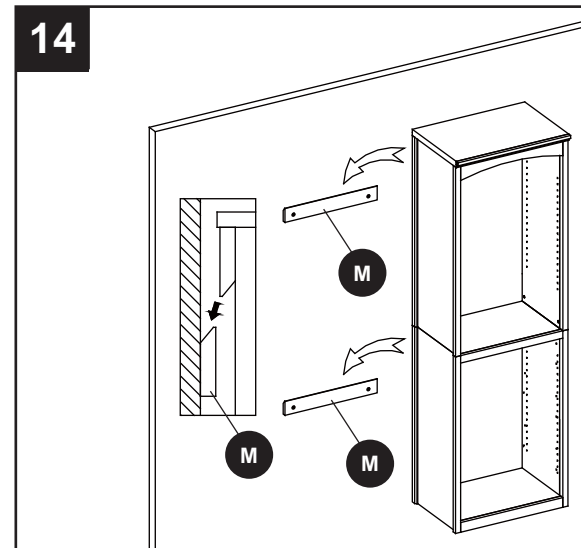


Hardware Used

HH Lag Bolt  x 4

II Lock Washer  x 4

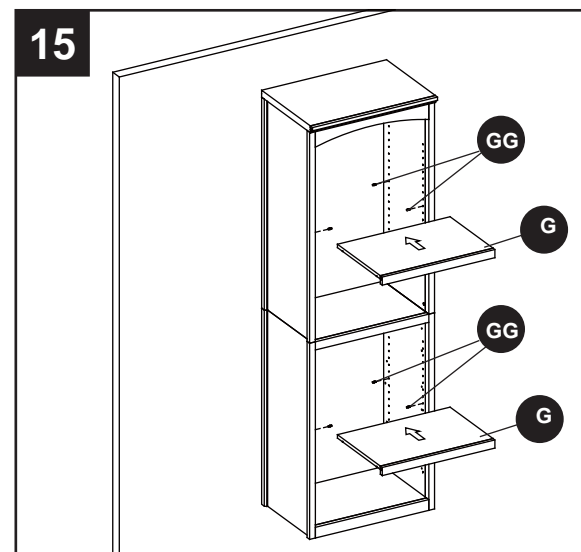
14. With the help from another person, carefully hang the unit onto wall hanging cleats (M).



Shelf Installation

15. Insert shelf pins (GG) where desired in tower, then rest adjustable shelf (G) on top. Repeat for second adjustable shelf (G).

Note: Ensure the shelf pins (GG) are level.



Hardware Used

GG Shelf Pin  x 8

CARE AND MAINTENANCE

- Periodically check to make certain all components are properly positioned, free from damage and firmly connected.
- Use a soft, clean cloth that will not scratch the surface when dusting.
- Never use water to clean the furniture as it may damage to the finish.
- Wipe clean using a damp cloth and a mild cleaner. Wipe dry with a clean cloth.
- In the event the furniture is stained or otherwise damaged during use, it is recommended you call a professional to repair the furniture.
- Keep furniture away from direct sunlight as it may damage the finish.
- It is best to keep the furniture in a climate-controlled environment. Extreme temperature and humidity changes can cause fading, warping, shrinking and splitting of wood.
- Touch-up pen (MM) has been provided (except in Item #0339209) to repair any small nicks or scratches that may occur during assembly or shipping. If Item #0339209 is damaged and touch-up is required, apply a quality wood polish to the damaged surface.

TROUBLESHOOTING

| PROBLEM | POSSIBLE CAUSE | CORRECTIVE ACTION |
|--|--|--|
| Closet tower tilted. | The wall hanging cleats are not level. | Reinstall the wall hanging cleats and ensure they are level. |
| Closet tower can not hang on the wall. | The mounting hole locations are not correct. | Reinstall wall hanging cleats; make sure the space between two wall hanging cleats is 39-1/2 in. and the bottom two mounting holes location is no less than 31-1/2 in. from the floor. |

WARRANTY

This product (exclusive of shelves) is warranted to the original purchaser. If there is a failure in this unit due to defects in materials or workmanship, the manufacturer will repair or replace this item at our discretion without charge. Warranty is void if product has been assembled incorrectly, misused, abused by overloading, altered in any way or damaged due to accident. This warranty is not transferable and does not cover chipping, flaking, scratches, rust, dents, or other damages to the surfaces of this product. Responsibility of the manufacturer is limited to repair or replacement of this product. The manufacturer is not responsible for consequential, incidental, or other damages or losses resulting from product failure.

This warranty is in lieu of all other expressed warranties. Some states do not allow the exclusion or limitation of incidental or consequential damages, so the above limitation may not apply to you. This warranty gives you specific legal rights and you may have other rights which vary from state to state.

REPLACEMENT PARTS LIST

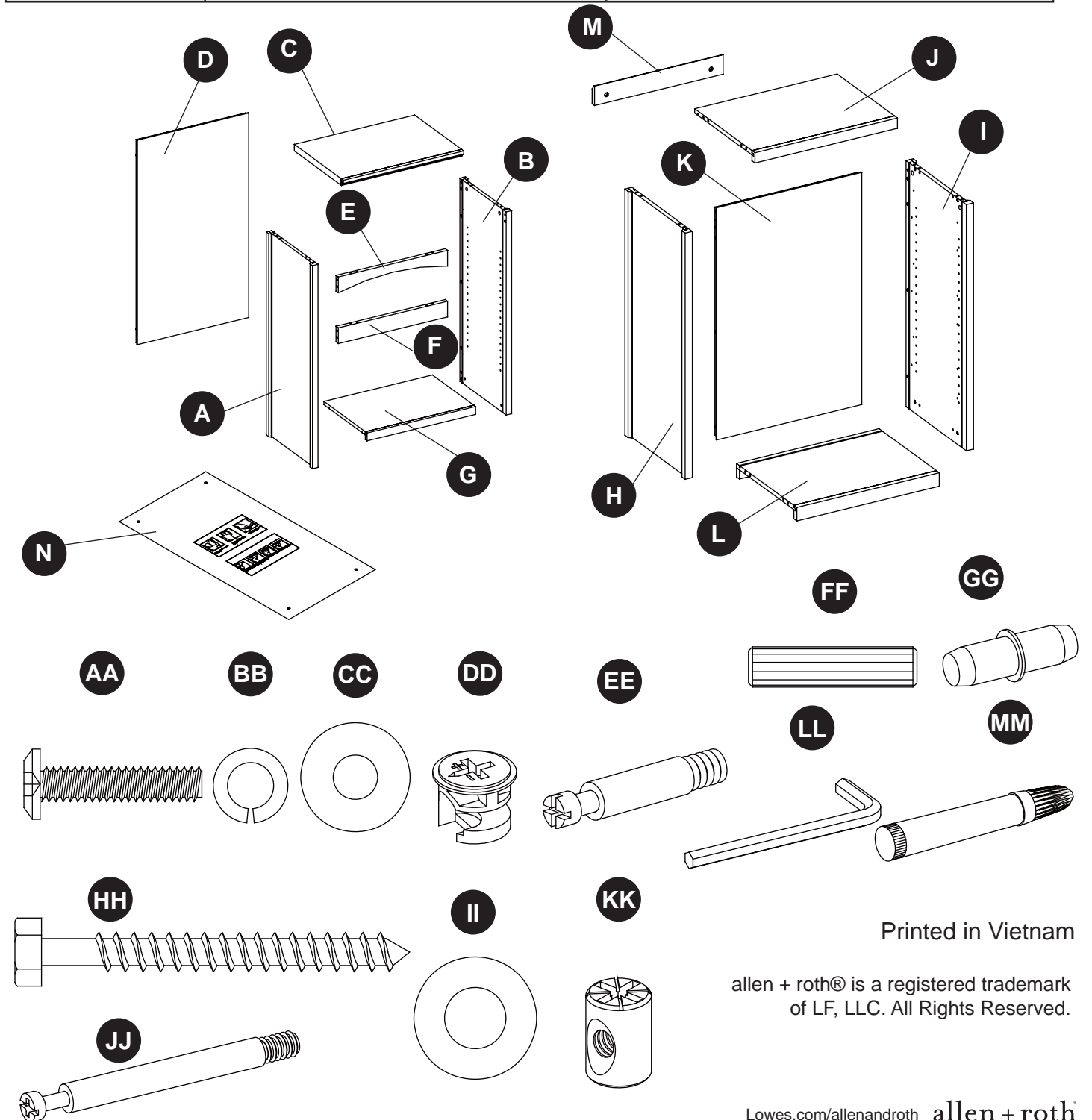
For replacement parts, call our customer service department at 1-866-439-9800, 8 a.m. - 8 p.m., EST, Monday - Friday.

| PART | DESCRIPTION | PART # |
|------|--------------------------|-----------------------------|
| A | Hutch Panel Left | *WSWS-WU1C/W/P/S-1-HPL |
| B | Hutch Panel Right | *WSWS-WU1C/W/P/S-2-HPR |
| C | Hutch Panel Top | *WSWS-WU1C/W/P/S-3-HPT |
| D | Hutch Panel Back | *WSWS-WU1C/W/P/S-4-HPB |
| E | Front Curved Stretcher | *WSWS-WU1C/W/P/S-5-FCS |
| F | Front Straight Stretcher | *WSWS-WU1C/W/P/S-6-FCS |
| G | Adjustable Shelf | *WSWS-WU1C/W/P/S-7-AS |
| H | Base Panel Left | *WSWS-WU1C/W/P/S-8-BPL |
| I | Base Panel Right | *WSWS-WU1C/W/P/S-9-BPR |
| J | Base Panel Top | *WSWS-WU1C/W/P/S-10-BPT |
| K | Base Panel Back | *WSWS-WU1C/W/P/S-11-BPB |
| L | Base Panel Bottom | *WSWS-WU1C/W/P/S-12-BPB |
| M | Wall Hanging Cleat | *WSWS-WU1C/W/P/S-13-WHC |
| N | Installation Template | *WSWS-WU1C/W/P/S-26-IT |
| AA | Bolt | *WSWS-WU1C/W/P/S-15-1-1/4B |
| BB | Lock Washer | *WSWS-WU1C/W/P/S-16-LW |
| CC | Flat Washer | *WSWS-WU1C/W/P/S-17-FW |
| DD | Large Cam Lock | *WSWS-WU1C/W/P/S-18-LCL |
| EE | Medium Cam Bolt | *WSWS-WU1C/W/P/S-19-MCB |
| FF | Large Wood Dowel | *WSWS-WU1C/W/P/S-20-LWD |
| GG | Shelf Pin | *WSWS-WU1C/W/P/S-21-SP |
| HH | Lag Bolt | *WSWS-WU1C/W/P/S-22-2-1/2LB |
| II | Large Flat Washer | *WSWS-WU1C/W/P/S-23-LFW |
| JJ | Large Cam Bolt | *WSWS-WU1C/W/P/S-26-LCB |

REPLACEMENT PARTS LIST

For replacement parts, call our customer service department at 1-866-439-9800, 8 a.m. - 8 p.m., EST, Monday - Friday.

| PART | DESCRIPTION | PART # |
|------|-------------------|--------------------------|
| KK | Barrel Nut | *WSWS-WU1C/W/P/S-27-BN |
| LL | Allen Wrench | *WSWS-WU1C/W/P/S-24-M4AW |
| MM | Touch-up Pen | *WSWS-WU1C/W/P/S-25-TUP |
| | Complete Hardware | *WSWS-WU1C/W/P/S-14-CH |



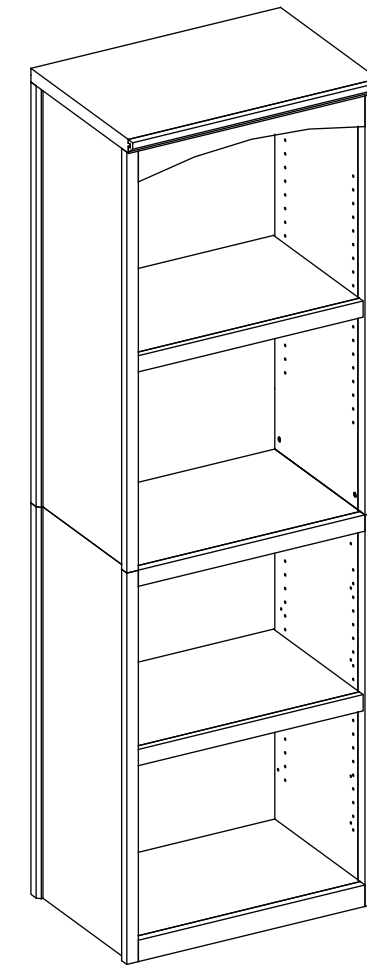
Printed in Vietnam

allen + roth® is a registered trademark of LF, LLC. All Rights Reserved.

Lowe.com/allenandroth allen + roth

allen + roth®

welcoming • sophisticated • inspiring



allen + roth® est une marque de commerce déposée de LF, LLC. Tous droits réservés.

ARTICLE #0339207, 0339208, 0339209, 0339210

TOUR EN BOIS HAUT DE GAMME

MODÈLE #WSWS-WU1C, WSWS-WU1W
WSWS-WU1P, WSWS-WU1S

JOIGNEZ VOTRE REÇU ICI

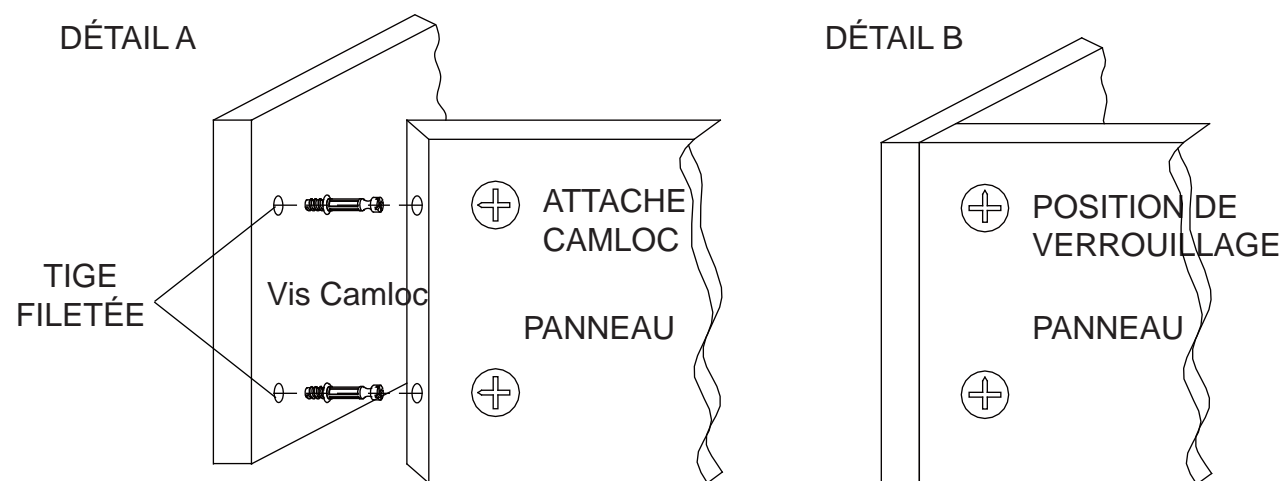
Numéro de série _____ Date d'achat _____

Des questions, des problèmes, des pièces manquantes? Avant de retourner l'article au détaillant, appelez notre service à la clientèle au 1 866 439-9800, entre 8 h et 20 h (HNE), du lundi au vendredi.

TABLE DES MATIÈRES

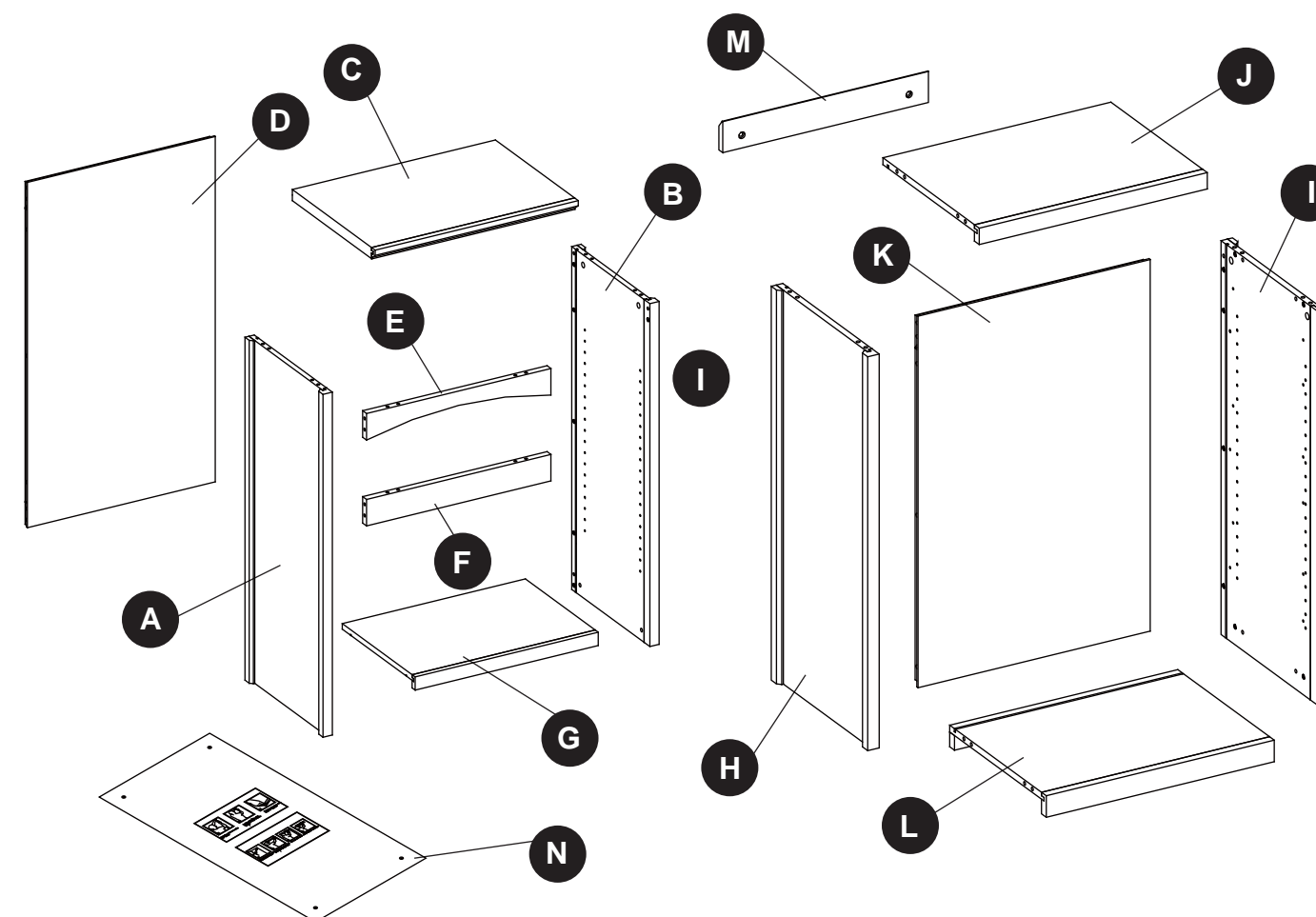
| | |
|---------------------------------------|----|
| Fonctionnement du système Camloc..... | 15 |
| Contenu de l'emballage..... | 16 |
| Quincaillerie incluse..... | 17 |
| Consignes de sécurité..... | 18 |
| Préparation..... | 18 |
| Instructions pour l'assemblage..... | 19 |
| Entretien..... | 24 |
| Dépannage..... | 24 |
| Garantie..... | 25 |
| Liste des pièces de rechange..... | 25 |

FONCTIONNEMENT DU SYSTÈME CAMLOC



1. Vissez les vis Camloc dans les petits trous déjà percés sur le panneau.
2. Insérez les attaches Camloc dans les grands trous déjà percés sur le panneau.
3. Assurez-vous que les flèches sur les attaches Camloc pointent vers les vis Camloc.
4. Reliez les deux panneaux ensemble, en vous assurant que les vis Camloc s'insèrent correctement dans les trous déjà percés situés à l'extrémité du panneau sur lequel sont installées les attaches Camloc.
5. Une fois les vis Camloc insérées dans les attaches Camloc, serrez les attaches Camloc dans le sens des aiguilles d'une montre à l'aide d'un tournevis cruciforme.

CONTENU DE L'EMBALLAGE

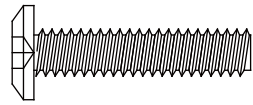


| PIÈCE | DESCRIPTION | QUANTITÉ |
|-------|--------------------------------|----------|
| A | Panneau gauche de l'étagère | 1 |
| B | Panneau droit de l'étagère | 1 |
| C | Panneau supérieur de l'étagère | 1 |
| D | Panneau arrière de l'étagère | 1 |
| E | Entretoise avant courbée | 1 |
| F | Entretoise avant droite | 1 |
| G | Tablette réglable | 2 |

| PIÈCE | DESCRIPTION | QUANTITÉ |
|-------|------------------------------|----------|
| H | Panneau gauche de la base | 1 |
| I | Panneau droit de la base | 1 |
| J | Panneau supérieur de la base | 1 |
| K | Panneau arrière de la base | 1 |
| L | Panneau inférieur de la base | 1 |
| M | Traverse de fixation au mur | 2 |
| N | Gabarit pour l'installation | 1 |

QUINCAILLERIE INCLUSE (grandeur réelle)

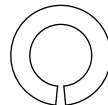
AA



Boulon

Qté : 12

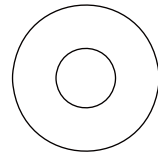
BB



Rondelle de blocage

Qté : 12

CC



Rondelle plate

Qté : 12

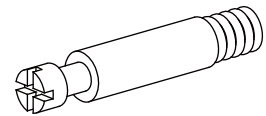
DD



Grande attache Camloc

Qté : 34

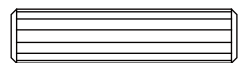
EE



Vis Camloc moyenne

Qté : 30

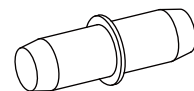
FF



Goujon de bois long

Qté : 34

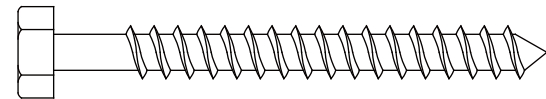
GG



Taquet pour tablette

Qté : 8

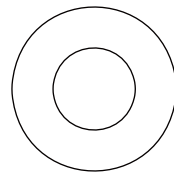
HH



Tire-fond

Qté : 4

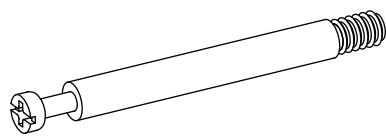
II



Grande rondelle plate

Qté : 4

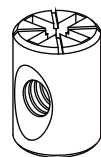
JJ



Grande vis Camloc

Qté : 4

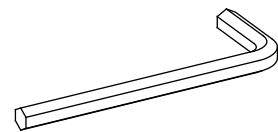
KK



Écrou à portée cylindrique

Qté : 4

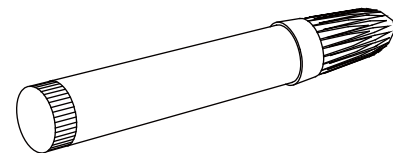
LL



Clé hexagonale

Qté : 1

MM



Crayon à retouche

Qté : 1

(non inclus avec l'article #0339209)

! CONSIGNES DE SÉCURITÉ

Assurez-vous de lire et de comprendre l'intégralité du présent manuel avant de tenter d'assembler, d'utiliser ou d'installer le produit.

- Ne laissez pas les enfants grimper ou jouer sur l'article ni autour de celui-ci.
- Utilisez cet article uniquement pour l'usage auquel il est destiné. N'utilisez pas les tablettes comme s'il s'agissait d'une échelle.
- Assemblez l'article sur une surface solide, plane et protectrice, pour éviter de l'endommager.
- Deux personnes ou plus doivent travailler de concert pour installer cet article au mur.
- Assurez-vous que tous les boulons et toutes les vis sont bien serrés avant d'utiliser l'article.
- Vérifiez les boulons et les vis régulièrement et serrez-les au besoin.
- Charge maximale de chaque tablette : 13,61 kg.

! AVERTISSEMENT

CET ARTICLE NE PEUT SUPPORTER QUE LA CHARGE MAXIMALE INDIQUÉE. L'UTILISATION DE CET ARTICLE AVEC DES PRODUITS DONT LE POIDS DÉPASSE LA CHARGE MAXIMALE INDIQUÉE PEUT ENTRAÎNER DE L'INSTABILITÉ ET CAUSER DES BLESSURES. RÉPARTISSEZ LA CHARGE DE FAÇON UNIFORME.

PRÉPARATION

Avant de commencer l'assemblage de l'article, assurez-vous d'avoir toutes les pièces. Comparez le contenu de l'emballage avec la liste des pièces et celle de la quincaillerie incluse. S'il y a des pièces manquantes ou endommagées, ne tentez pas d'assembler l'article.

Temps d'assemblage approximatif : 60 minutes

Outils nécessaires pour l'assemblage (non inclus) : tournevis cruciforme, niveau, perceuse électrique, foret de 3/16 po, foret de 3/8 po, clé à douille de 1/2 po, détecteur de montants, crayon, ruban à mesurer, escabeau et marteau.

INSTRUCTIONS POUR L'ASSEMBLAGE

Assemblage de la base

1. Insérez les vis Camloc moyennes (EE) dans le panneau gauche de la base (H), dans le panneau droit de la base (I) et dans le panneau supérieur de la base (J).

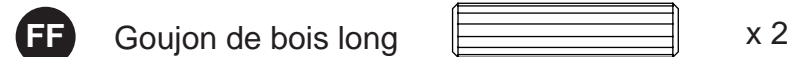
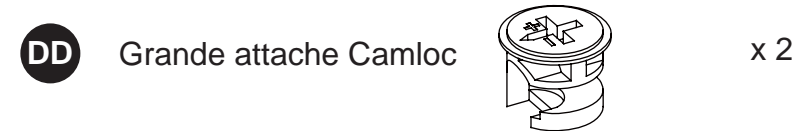
Quincaillerie utilisée



2. Fixez le panneau arrière de la base (K) au panneau supérieur de la base (J) à l'aide de goujons de bois longs (FF) et de grandes attaches Camloc (DD).

Remarque : Assurez-vous que les vis Camloc moyennes (EE) que vous avez déjà insérées dans le panneau supérieur de la base sont entièrement enfoncées.

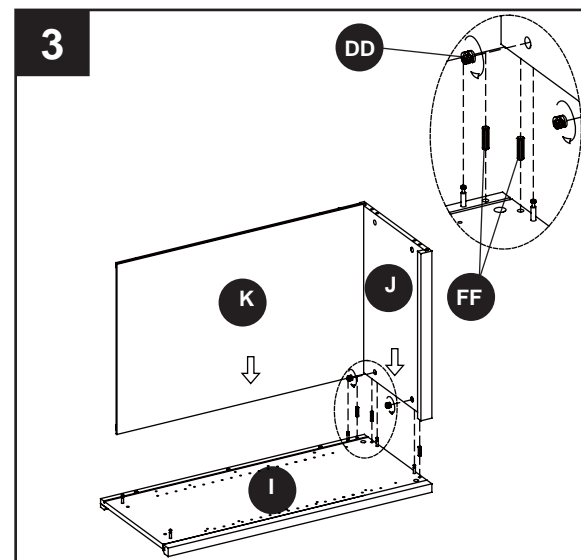
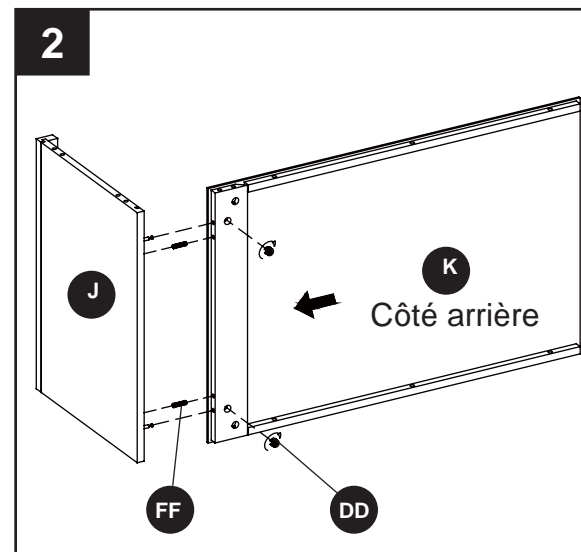
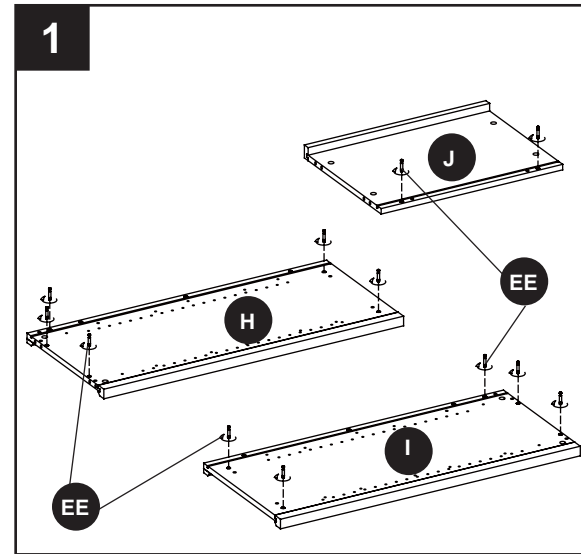
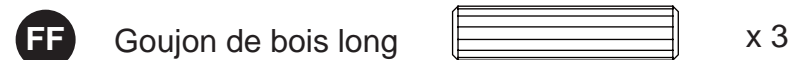
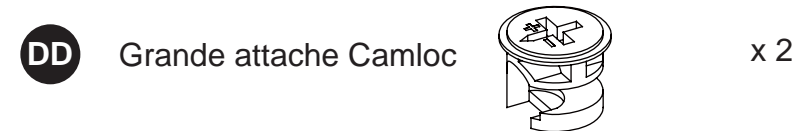
Quincaillerie utilisée



3. Fixez le panneau droit de la base (I) à l'ensemble à l'aide de goujons de bois longs (FF) et de grandes attaches Camloc (DD).

Remarque : Assurez-vous que les vis Camloc moyennes (EE) que vous avez déjà insérées dans le panneau droit de la base (I) sont entièrement enfoncées.

Quincaillerie utilisée



INSTRUCTIONS POUR L'ASSEMBLAGE

4. À partir de l'arrière de l'ensemble, fixez le panneau droit de la base (I) au panneau arrière de la base (K) à l'aide de rondelles plates (CC), de rondelles de blocage (BB) et de boulons (AA). Serrez les boulons à l'aide de la clé hexagonale (LL). Fixez le panneau supérieur de la base (J) au moyen de grandes attaches Camloc (DD).

Quincaillerie utilisée



5. Insérez le panneau arrière de la base (K) dans la fente du panneau inférieur de la base (L), puis fixez ce dernier à l'ensemble à l'aide de goujons de bois longs (FF) et de grandes attaches Camloc (DD).

Remarque : Assurez-vous que les vis Camloc moyennes (EE) que vous avez déjà insérées dans le panneau droit de la base (I) sont entièrement enfoncées.

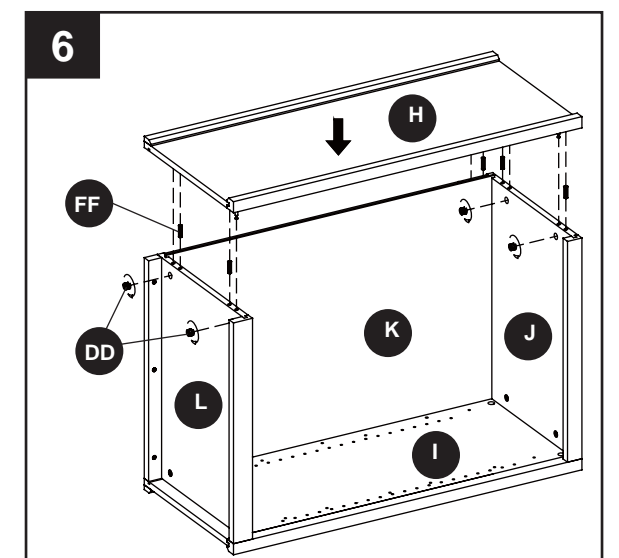
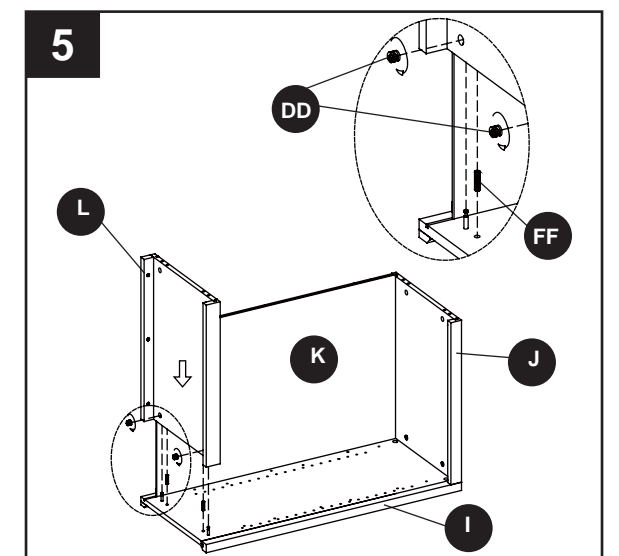
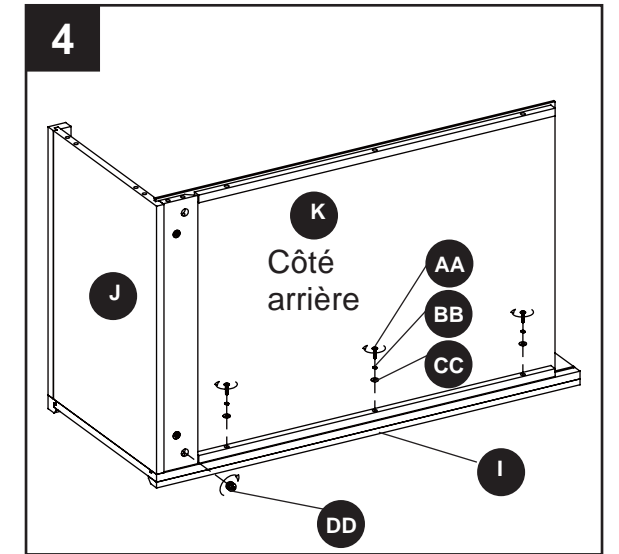
Quincaillerie utilisée



6. Fixez le panneau gauche de la base (H) à l'ensemble à l'aide de goujons de bois longs (FF) et de grandes attaches Camloc (DD).

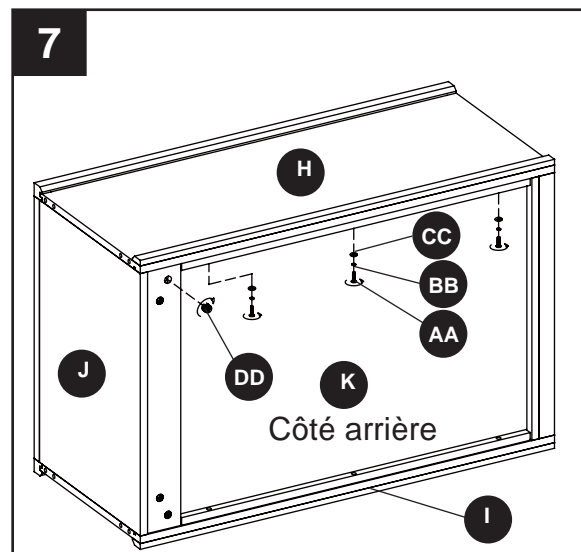
Remarque : Assurez-vous que les vis Camloc moyennes (EE) que vous avez déjà insérées dans le panneau gauche de la base (H) sont entièrement enfoncées.

Quincaillerie utilisée

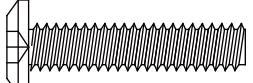

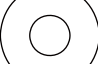




INSTRUCTIONS POUR L'ASSEMBLAGE

7. À partir de l'arrière de l'ensemble, fixez le panneau gauche de la base (H) au panneau arrière de la base (K) à l'aide de rondelles plates (CC), de rondelles de blocage (BB) et de boulons (AA). Serrez les boulons à l'aide de la clé hexagonale (LL). Fixez le panneau supérieur de la base (J) au moyen de grandes attaches Camloc (DD).

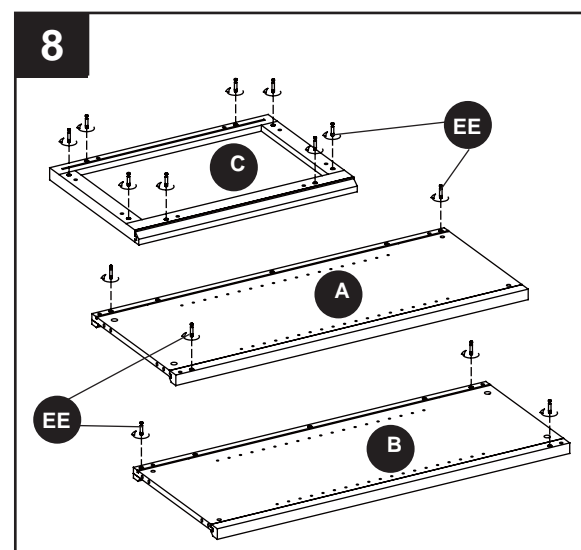


Quincaillerie utilisée

| | | | |
|-----------|-----------------------|---|-----|
| AA | Boulon |  | x 3 |
| BB | Rondelle de blocage |  | x 3 |
| CC | Rondelle plate |  | x 3 |
| DD | Grande attache Camloc |  | x 1 |
| LL | Clé hexagonale |  | x 1 |

Assemblage de l'étagère

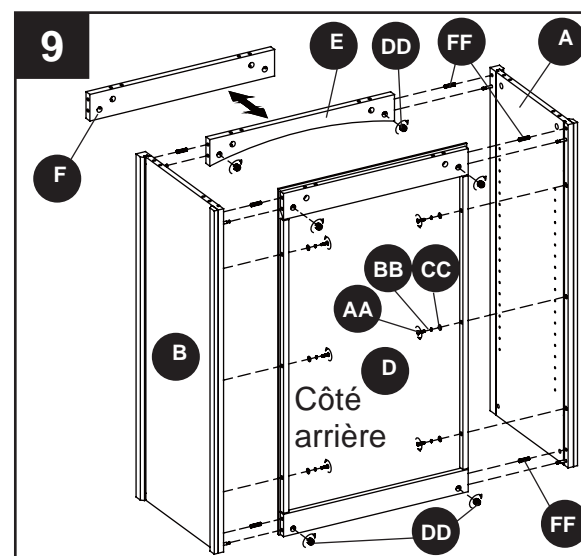
8. Insérez les vis Camloc moyennes (EE) dans le panneau gauche de l'étagère (A), dans le panneau droit de l'étagère (B) et dans le panneau supérieur de l'étagère (C).



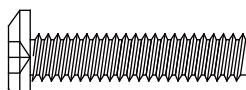





Quincaillerie utilisée

| | | | |
|-----------|--------------------|--|------|
| EE | Vis Camloc moyenne |  | x 14 |
|-----------|--------------------|--|------|

9. Fixez le panneau gauche de l'étagère (A) et le panneau droit de l'étagère (B) au panneau arrière (D), ainsi que l'entretoise avant courbée ou droite (selon le style de votre placard) à l'aide de goujons de bois longs (FF) et de grandes attaches Camloc (DD). À partir de l'arrière de l'ensemble, fixez solidement l'ensemble à l'aide de rondelles plates (CC), de rondelles de blocage (BB) et de boulons (AA). Serrez les boulons à l'aide de la clé hexagonale (LL). Ensuite, fixez l'ensemble au moyen de grandes attaches Camloc (DD).





Quincaillerie utilisée

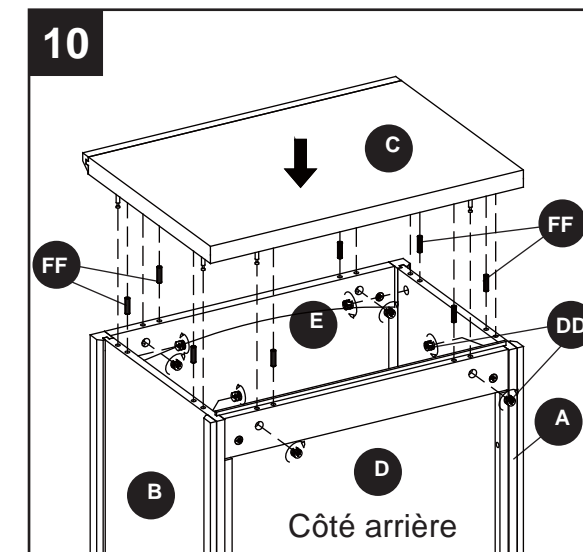
| | | | |
|-----------|-----------------------|---|-----|
| AA | Boulon |  | x 6 |
| BB | Rondelle de blocage |  | x 6 |
| CC | Rondelle plate |  | x 6 |
| DD | Grande attache Camloc |  | x 6 |
| FF | Goujon de bois long |  | x 6 |
| LL | Clé hexagonale |  | x 1 |

INSTRUCTIONS POUR L'ASSEMBLAGE

10. Insérez des goujons en bois (FF) et de grandes attaches Camloc (DD) dans l'ensemble de l'étagère. Installez le panneau supérieur de l'étagère (C), puis fixez-le en serrant les grandes attaches Camloc (DD).

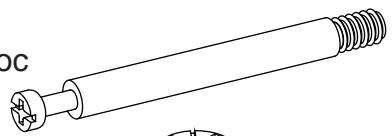
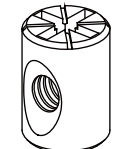
Quincaillerie utilisée

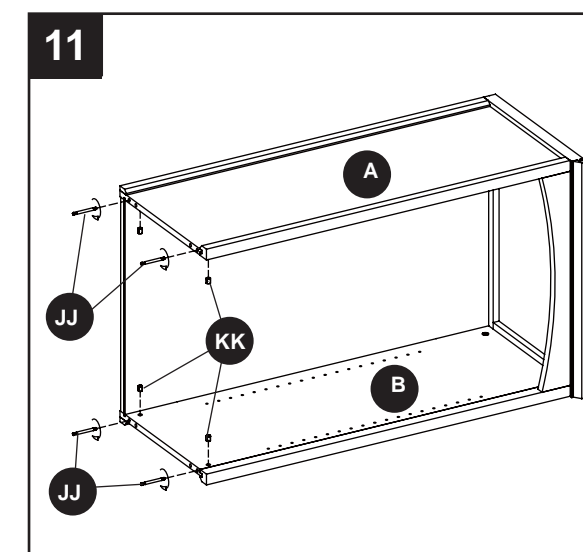
| | | | |
|-----------|-----------------------|---|-----|
| DD | Grande attache Camloc |  | x 8 |
| FF | Goujon de bois long |  | x 8 |



11. Déposez soigneusement l'ensemble de l'étagère sur le côté. Insérez des écrous à portée cylindrique (KK) et des grandes vis Camloc (JJ) dans le bas de l'ensemble de l'étagère.

Quincaillerie utilisée

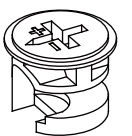

| | | | |
|-----------|----------------------------|---|-----|
| JJ | Grande vis Camloc |  | x 4 |
| KK | Écrou à portée cylindrique |  | x 4 |

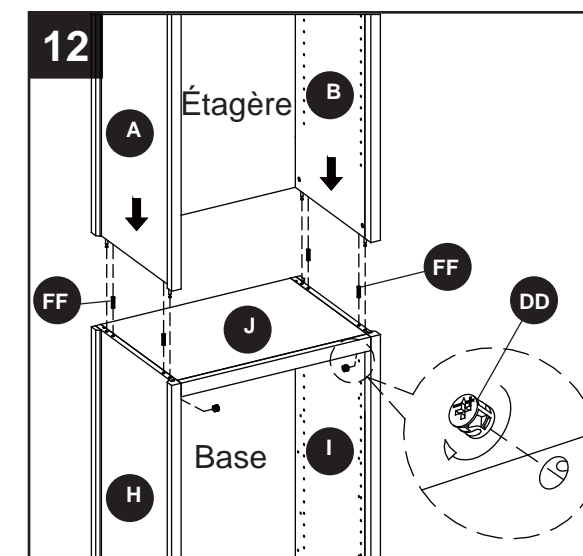


12. Insérez des goujons de bois longs (FF) et des grandes attaches Camloc (DD) dans le panneau supérieur de la base. Puis, avec l'aide d'une autre personne, installez l'ensemble de l'étagère sur l'ensemble de la base et fixez le tout en serrant les grandes attaches Camloc (DD).

Remarque : Assurez-vous que les grandes vis Camloc (JJ) sont entièrement enfoncées.

Quincaillerie utilisée

| | | | |
|-----------|-----------------------|---|-----|
| DD | Grande attache Camloc |  | x 4 |
| FF | Goujon de bois long |  | x 4 |



INSTRUCTIONS POUR L'ASSEMBLAGE

Installation au mur

13. À l'aide d'un détecteur de montants, repérez les bordures des montants. Trouvez le centre de chaque montant et tracez une ligne de référence verticale sur le mur. Placez le gabarit pour l'installation (N) sur le mur à l'endroit désiré.

Remarque : Le bas du gabarit pour l'installation (N) devrait être à une distance minimale de 80,01 cm du plancher.

Marquez l'emplacement des trous à l'aide d'un crayon (non inclus) et enlevez le gabarit pour l'installation (N). Percez des avant-trous aux endroits marqués à l'aide d'un foret de 3/16 po. Puis, fixez les traverses de fixation au mur (M), le bord biseauté orienté vers le haut, à l'aide de grandes rondelles plates (II) et de tire-fonds (HH). attach the wall hanging cleats (M) with large flat washers (II) and lag bolts (HH).

Quincaillerie utilisée

HH Tire-fond x 4

II Rondelle de blocage x 4

14. Avec l'aide d'une autre personne, installez soigneusement l'ensemble sur les traverses de fixation au mur (M).

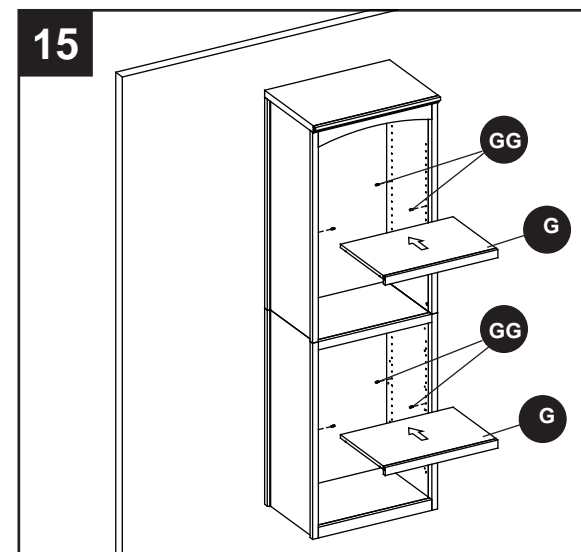
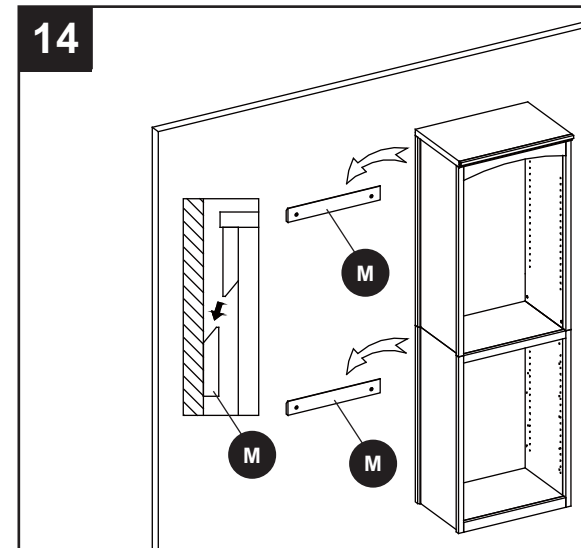
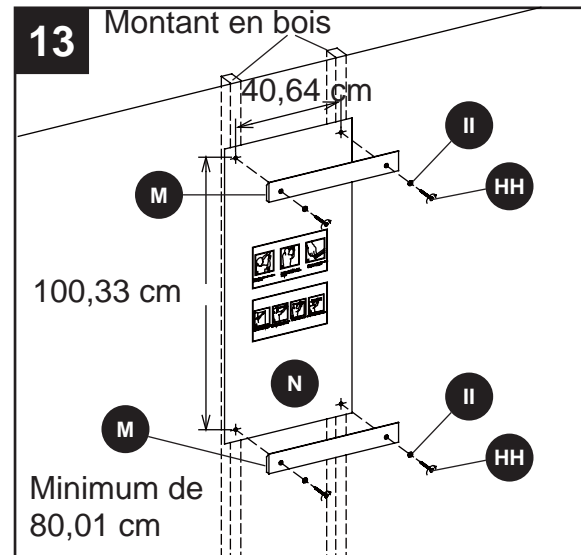
Installation des tablettes

15. Insérez les taquets pour tablette (GG) dans les trous de votre choix, puis placez la tablette réglable (G) dessus. Faites de même pour la deuxième tablette réglable (G).

Remarque : Assurez-vous que les taquets pour tablette (GG) sont à la même hauteur.

Quincaillerie utilisée

GG Taquet pour tablette x 8



ENTRETIEN

- Vérifiez périodiquement si les composants sont bien positionnés, en bon état et fermement montés.
- Utilisez un linge doux et propre qui n'égratignera pas la surface lorsque vous épousseterez l'article.
- N'utilisez jamais d'eau pour nettoyer l'article puisque vous risqueriez d'endommager le fini.
- Nettoyez l'article à l'aide d'un linge humide et d'un nettoyant doux. Essuyez-le à l'aide d'un linge propre.
- Si l'article est taché ou endommagé de quelque façon durant son utilisation, il est recommandé d'appeler un professionnel pour le faire réparer.
- Conservez l'article à l'abri du soleil pour éviter d'endommager le fini.
- Il est préférable que l'article soit gardé dans un endroit à température contrôlée. Les variations d'humidité et de température importantes peuvent décolorer, déformer, contracter et même fendre le bois.
- Un crayon à retouche (MM) est fourni (à l'exception de l'article #0339209) pour couvrir toute égratignure ou rayure qui pourrait survenir durant l'assemblage ou l'expédition. • Si l'article #0339209 est endommagé et que des retouches sont nécessaires, veuillez appliquer un produit encaustique de qualité sur la surface endommagée.

DÉPANNAGE

| PROBLÈME | CAUSE POSSIBLE | MESURE CORRECTIVE |
|--|---|---|
| La tour de rangement de placard est inclinée. | Les traverses de fixation au mur ne sont pas de niveau. | Réinstallez les traverses de fixation au mur, puis assurez-vous qu'elles sont de niveau. |
| La tour de rangement ne s'installe pas au mur. | Les emplacements des trous de montage ne sont pas corrects. | Réinstallez les traverses de fixation au mur; assurez-vous que la distance entre les deux traverses est de 100,33 cm et que les deux trous de montage inférieurs se trouvent à une distance minimale de 80,01 cm du plancher. |

GARANTIE

La présente garantie n'est offerte qu'à l'acheteur initial (et ne s'applique pas aux tablettes). Si cet article présente des défauts de matériaux ou de fabrication, le fabricant choisira, à sa seule discrétion, de réparer ou de remplacer l'article sans frais. La garantie sera annulée si l'article a été assemblé incorrectement, a été utilisé de manière inappropriée ou abusive en le surchargeant ou en l'altérant d'une quelconque façon, ou a subi des dommages causés par un accident. La présente garantie est non transférable et ne couvre pas les ébréchures, l'écaillage, les égratignures, la rouille, les bosses et tout autre dommage à la surface de cet article. La responsabilité du fabricant se limite à la réparation et au remplacement de cet article. Le fabricant n'est pas responsable des dommages accessoires, consécutifs ou autres ni de toute perte causée par une défectuosité de l'article.

La présente garantie prévaut sur toute autre garantie explicite. Certains États ou certaines provinces ne permettent pas l'exclusion ou la limitation des dommages accessoires ou consécutifs, de sorte que la limitation ci-dessus peut ne pas s'appliquer à vous. Cette garantie vous confère des droits précis. Il est possible que vous disposiez d'autres droits, qui varient d'un État ou d'une province à l'autre..

LISTE DES PIÈCES DE RECHANGE

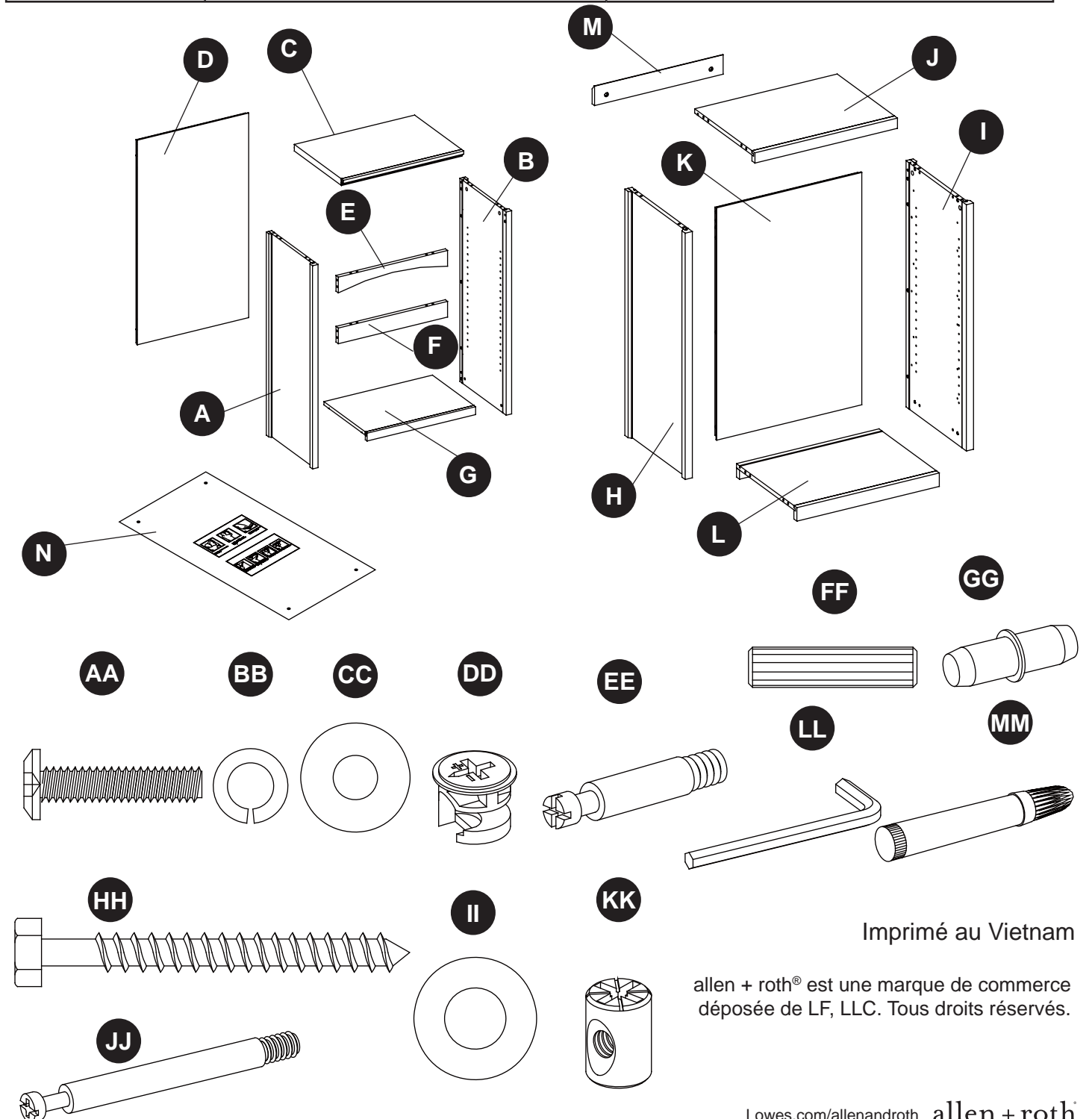
Pour obtenir des pièces de rechange, communiquez avec notre service à la clientèle au 1 866 439-9800, entre 8 h et 20 h (HNE), du lundi au vendredi.

| PIÈCE | DESCRIPTION | N° DE PIÈCE |
|-------|--------------------------------|-----------------------------|
| A | Panneau gauche de l'étagère | *WSWS-WU1C/W/P/S-1-HPL |
| B | Panneau droit de l'étagère | *WSWS-WU1C/W/P/S-2-HPR |
| C | Panneau supérieur de l'étagère | *WSWS-WU1C/W/P/S-3-HPT |
| D | Panneau arrière de l'étagère | *WSWS-WU1C/W/P/S-4-HPB |
| E | Entretoise avant courbée | *WSWS-WU1C/W/P/S-5-FCS |
| F | Entretoise avant droite | *WSWS-WU1C/W/P/S-6-FCS |
| G | Tablette réglable | *WSWS-WU1C/W/P/S-7-AS |
| H | Panneau gauche de la base | *WSWS-WU1C/W/P/S-8-BPL |
| I | Panneau droit de la base | *WSWS-WU1C/W/P/S-9-BPR |
| J | Panneau supérieur de la base | *WSWS-WU1C/W/P/S-10-BPT |
| K | Panneau arrière de la base | *WSWS-WU1C/W/P/S-11-BPB |
| L | Panneau inférieur de la base | *WSWS-WU1C/W/P/S-12-BPB |
| M | Traverse de fixation au mur | *WSWS-WU1C/W/P/S-13-WHC |
| N | Gabarit pour l'installation | *WSWS-WU1C/W/P/S-26-IT |
| AA | Boulon | *WSWS-WU1C/W/P/S-15-1-1/4B |
| BB | Rondelle de blocage | *WSWS-WU1C/W/P/S-16-LW |
| CC | Rondelle plate | *WSWS-WU1C/W/P/S-17-FW |
| DD | Grande attache Camloc | *WSWS-WU1C/W/P/S-18-LCL |
| EE | Vis Camloc moyenne | *WSWS-WU1C/W/P/S-19-MCB |
| FF | Goujon de bois long | *WSWS-WU1C/W/P/S-20-LWD |
| GG | Taquet pour tablette | *WSWS-WU1C/W/P/S-21-SP |
| HH | Tire-fond | *WSWS-WU1C/W/P/S-22-2-1/2LB |
| II | Grande rondelle plate | *WSWS-WU1C/W/P/S-23-LFW |
| JJ | Grande vis Camloc | *WSWS-WU1C/W/P/S-26-LCB |

LISTE DES PIÈCES DE RECHANGE

Pour obtenir des pièces de rechange, communiquez avec notre service à la clientèle au 1 866 439-9800, entre 8 h et 20 h (HNE), du lundi au vendredi.

| PIÈCE | DESCRIPTION | N° DE PIÈCE |
|-------|----------------------------|--------------------------|
| KK | Écrou à portée cylindrique | *WSWS-WU1C/W/P/S-27-BN |
| LL | Clé hexagonale | *WSWS-WU1C/W/P/S-24-M4AW |
| MM | Crayon à retouche | *WSWS-WU1C/W/P/S-25-TUP |
| | Quincaillerie complète | *WSWS-WU1C/W/P/S-14-CH |

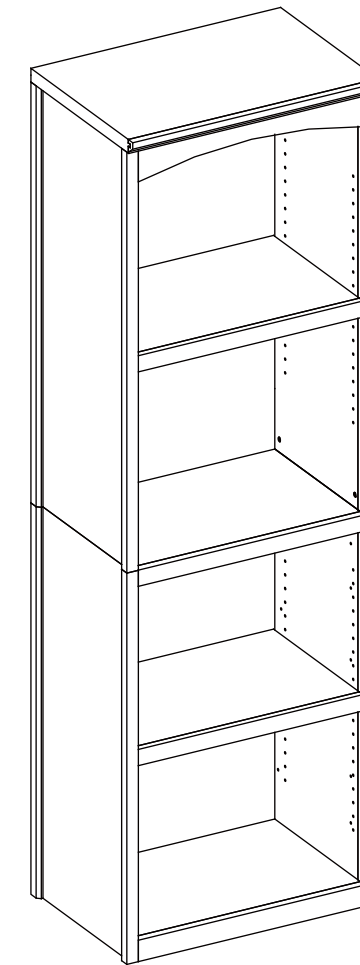


Imprimé au Vietnam

allen + roth® est une marque de commerce déposée de LF, LLC. Tous droits réservés.

allen + roth®

welcoming • sophisticated • inspiring



allen + roth® es una marca registrada de LF, LLC. Todos los derechos reservados.

ARTÍCULO # 0339207, 0339208, 0339209, 0339210

TORRE DE MADERA DE PRIMERA CALIDAD

MODELO # WSWW-WU1C, WSWW-WU1W, WSWW-WU1P, WSWW-WU1S

ADJUNTE SU RECIBO AQUÍ

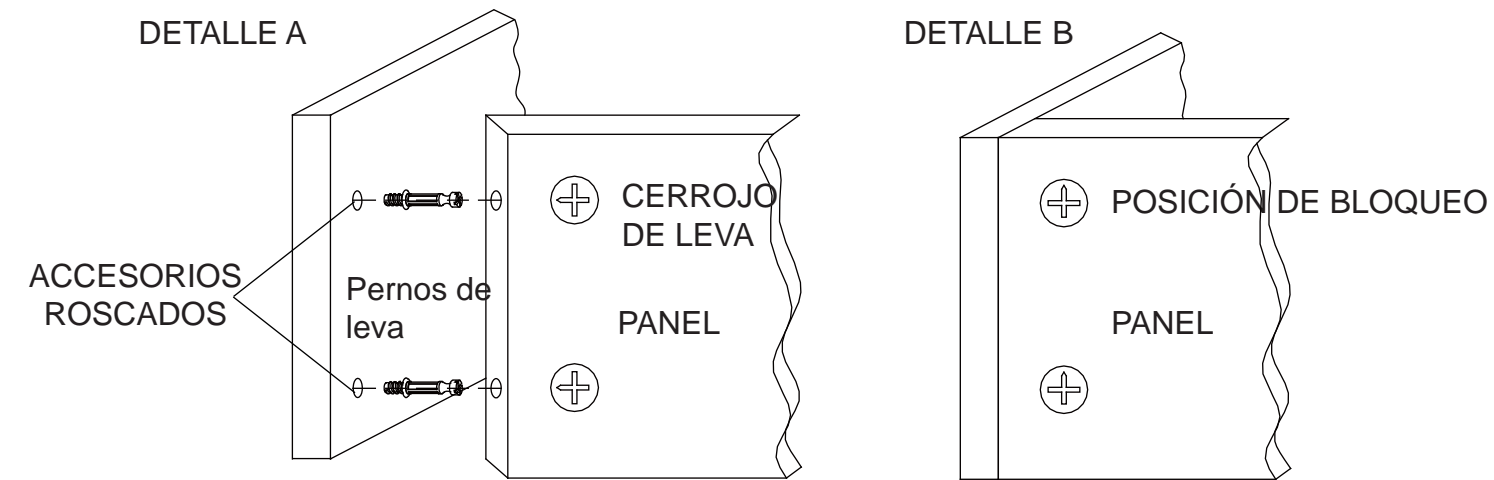
Número de serie _____ Fecha de compra _____

¿Preguntas, problemas, piezas faltantes? Antes de volver a la tienda, llame a nuestro Departamento de Servicio al Cliente al 1-866-439-9800, de lunes a viernes de 8 a.m. a 8 p.m., hora estándar del Este.

ÍNDICE

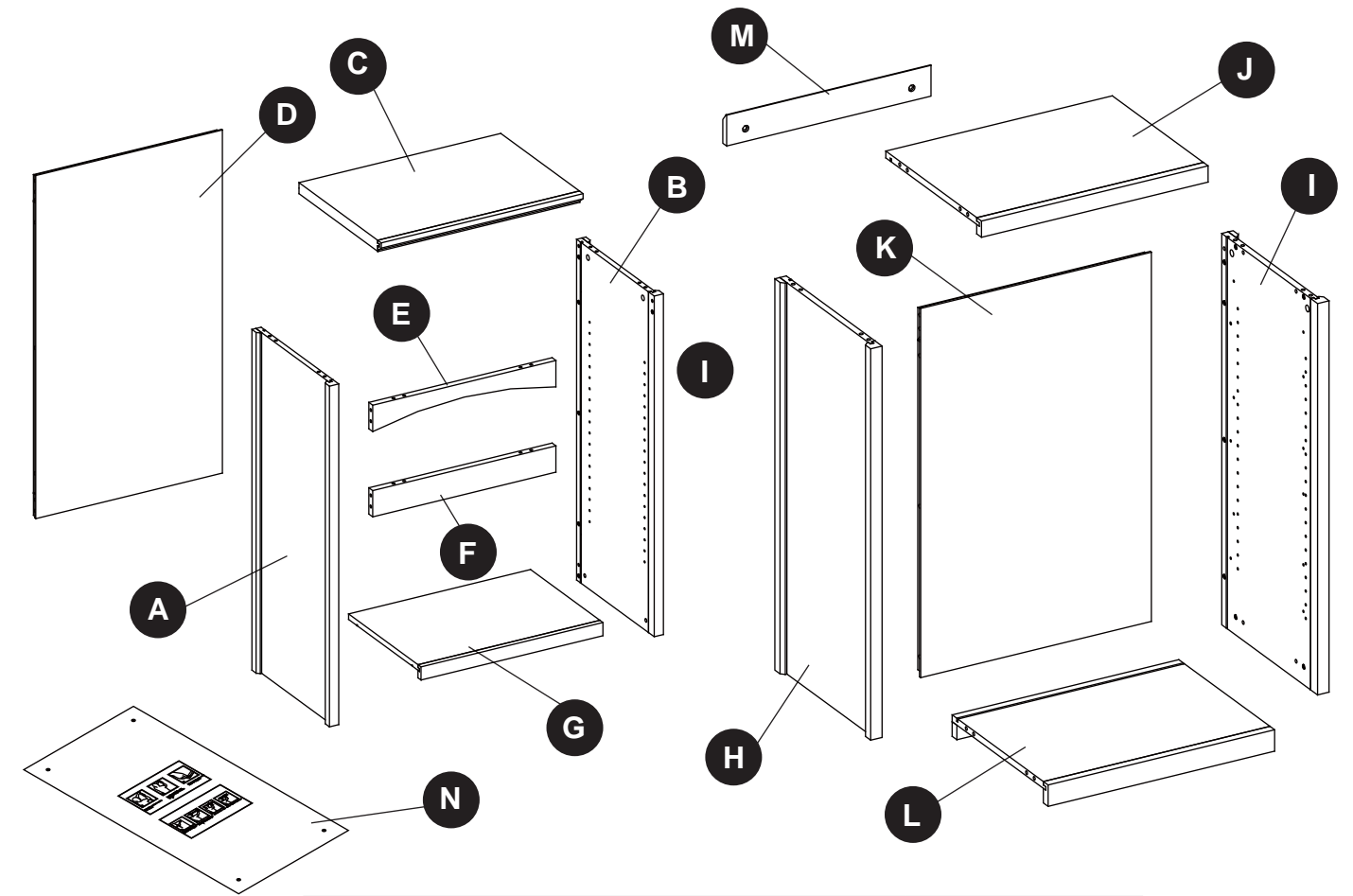
| | |
|--|----|
| Funcionamiento del sistema de cerrojo de leva..... | 28 |
| Contenido del paquete..... | 29 |
| Aditamentos..... | 30 |
| Información de seguridad..... | 31 |
| Preparación..... | 31 |
| Instrucciones de ensamblaje..... | 32 |
| Cuidado y mantenimiento..... | 37 |
| Solución de problemas..... | 37 |
| Garantía..... | 38 |
| Lista de piezas de repuesto..... | 38 |

FUNCIONAMIENTO DEL SISTEMA DE CERROJO DE LEVA



1. Atornille los pernos de leva a los orificios pequeños pretaladrados en el panel.
2. Introduzca el cerrojo de leva al orificio pretaladrado grande en el panel.
3. Asegúrese de que la flecha en el cerrojo de leva señale a los pernos de leva.
4. Una ambos paneles, y asegúrese de que los pernos de leva vayan dentro del orificio pretaladrado en el extremo del panel con cerrojo de leva.
5. Una vez que los pernos de leva estén conectados dentro del cerrojo de leva, tome el destornillador Phillips y apriete el cerrojo de leva en dirección de las manecillas del reloj.

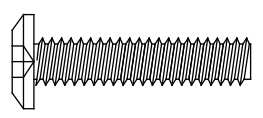
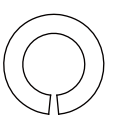
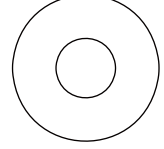
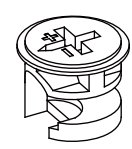
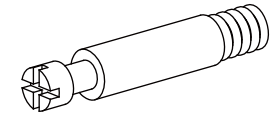
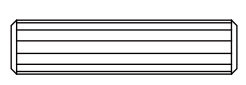
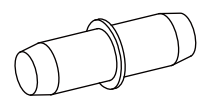
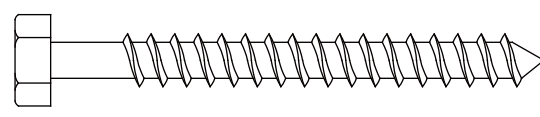
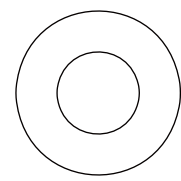
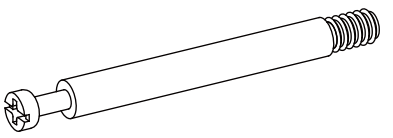
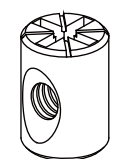
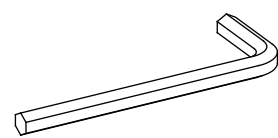
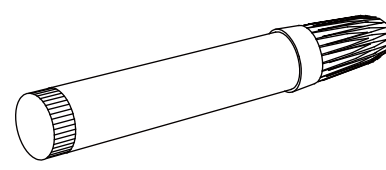
CONTENIDO DEL PAQUETE



| PIEZA | DESCRIPCIÓN | CANTIDAD |
|-------|---------------------------|----------|
| A | Panel de repisa izquierdo | 1 |
| B | Panel de repisa derecho | 1 |
| C | Panel de repisa superior | 1 |
| D | Panel de repisa posterior | 1 |
| E | Extensor curvo frontal | 1 |
| F | Extensor recto frontal | 1 |
| G | Estante ajustable | 2 |

| PIEZA | DESCRIPCIÓN | CANTIDAD |
|-------|-------------------------------|----------|
| H | Panel de base izquierdo | 1 |
| I | Panel de base derecho | 1 |
| J | Panel de base superior | 1 |
| K | Panel de base posterior | 1 |
| L | Panel de base inferior | 1 |
| M | Listón de colgante para pared | 2 |
| N | Plantilla de instalación | 1 |

ADITAMENTOS (se muestran en tamaño real)

| | | | | |
|---|---|---|--|---|
| AA | BB | CC | DD | EE |
|  |  |  |  |  |
| Perno Cant. 12 | Arandela de seguridad Cant. 12 | Arandela plana Cant. 12 | Cerrojo de leva grande Cant. 34 | Perno de leva mediano Cant. 30 |
| FF | GG | HH | II | |
|  |  |  |  | |
| Espiga grande de madera Cant. 34 | Pasador de estante Cant. 8 | Tirafondo Cant. 4 | Arandela plana grande Cant. 4 | |
| JJ | KK | LL | MM | |
|  |  |  |  | |
| Perno de leva grande Cant. 4 | Tuerca cilíndrica Cant. 4 | Llave de tuercas Allen Cant. 1 | Aplicador de retoque Cant. 1 (no se incluye para el artículo # 0339209) | |

! INFORMACIÓN DE SEGURIDAD

Lea y comprenda completamente este manual antes de intentar ensamblar, usar o instalar el producto.

- No permita que los niños se suban al producto o que jueguen cerca de él.
- Use esta unidad solo para el fin para el cual se diseñó. No utilice los estantes como escalera de tijera.
- Para evitar daños, ensamble este producto sobre una superficie segura, nivelada y resistente.
- Dos o más personas deben trabajar en conjunto para instalar la unidad en la pared.
- Asegúrese de que todos los pernos/tornillos estén bien apretados antes de usar la unidad.
- Revise periódicamente los tornillos/pernos y apriételes si es necesario.
- Carga máxima de cada estante: 30 lb/13,61 kg

! ADVERTENCIA

ESTA UNIDAD ESTÁ DISEÑADA PARA UTILIZARSE SOLO CON EL PESO MÁXIMO ESPECIFICADO. EL USO CON PRODUCTOS QUE SUPEREN EL PESO MÁXIMO ESPECIFICADO PUEDE PRODUCIR INESTABILIDAD Y CAUSAR POSIBLES LESIONES. DISTRIBUYA EL PESO DE MANERA UNIFORME.

PREPARACIÓN

Antes de comenzar a ensamblar el producto, asegúrese de tener todas las piezas. Compare las piezas con la lista del contenido del paquete y la lista de aditamentos. No intente ensamblar el producto si falta alguna pieza o si estas están dañadas.

Tiempo estimado de ensamblaje: 60 minutos

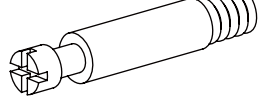
Herramientas necesarias para el ensamblaje (no se incluyen): destornillador Phillips, nivel, taladro eléctrico, broca para taladro de 3/16 pulg, broca para taladro de 3/8 pulg, llave de tuercas, detector de vigas, lápiz para marcar, cinta métrica, escalera de tijera, y martillo.

INSTRUCCIONES DE ENSAMBLAJE

Ensamblaje de la base

1. Coloque los pernos de leva medianos (EE) en el panel de base izquierdo (H), el panel de base derecho (I) y el panel de base superior (J).


Aditamentos usados

EE Perno de leva mediano  x 12

2. Fije el panel de base posterior (K) al panel de base superior (J), para esto utilice las espigas grandes de madera (FF) y el cerrojo de leva grande (DD).

Nota: asegúrese de que los pernos de leva medianos (EE) previamente colocados en el panel de base superior (J) estén totalmente asentados.

Aditamentos usados


DD Cerrojo de leva grande  x 2

FF Espiga grande de madera  x 2

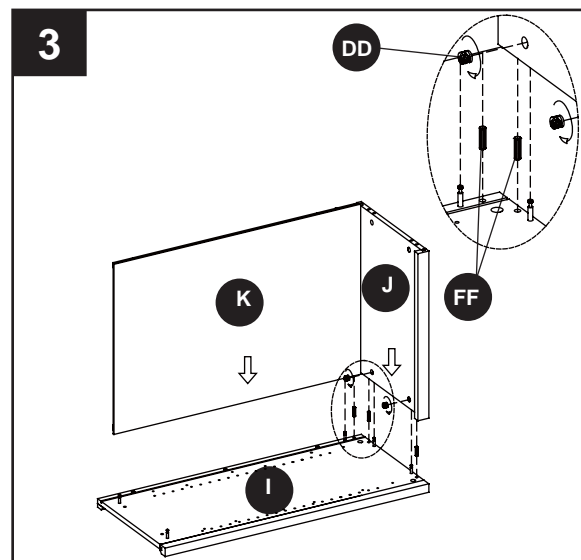
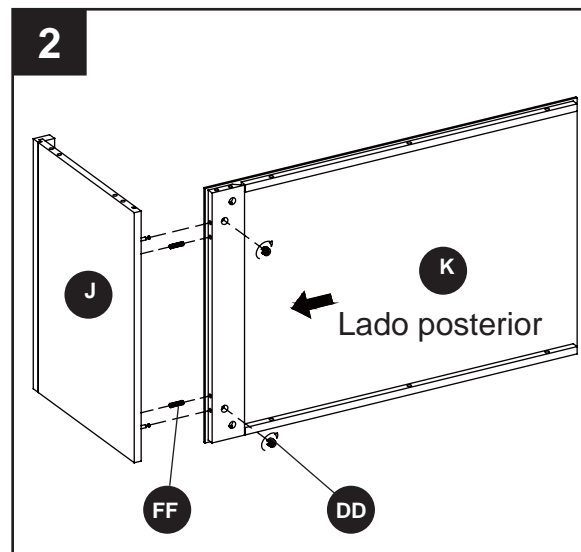
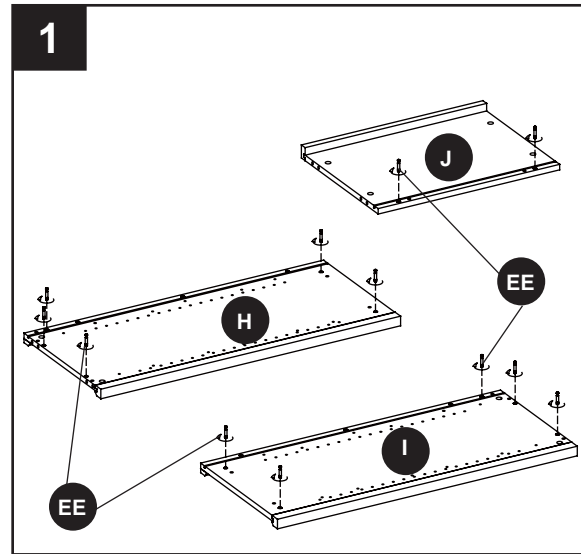
3. Fije el panel de base derecho (I) al ensamblaje con las espigas grandes de madera (FF) y los cerrojos de leva grandes (DD).

Nota: asegúrese de que los pernos de leva medianos (EE) colocados previamente en el panel de base derecho (I) estén totalmente asentados.

Aditamentos usados

DD Cerrojo de leva grande  x 2

FF Espiga grande de madera  x 3




INSTRUCCIONES DE ENSAMBLAJE

4. En la parte posterior del ensamblaje, fije el panel de base derecho (I) al panel de base posterior (K) con las arandelas planas (CC), las arandelas de seguridad (BB) y los pernos (AA). Apriete con una llave de tuercas Allen (LL). Asegure el panel de base superior (J) con los cerrojos de leva grandes (DD).

Aditamentos usados

AA Perno  x 3

BB Arandela de seguridad  x 3

CC Arandela plana  x 3

DD Cerrojo de leva grande  x 1

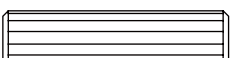
LL Llave de tuercas Allen  x 1

5. Coloque el panel de base posterior (K) en la ranura del panel de base inferior (L), luego fije el panel de base inferior (L) al ensamblaje con las espigas grandes de madera (FF) y los cerrojos de leva grandes (DD).

Nota: asegúrese de que los pernos de leva medianos (EE) colocados previamente en el panel de base derecho (I) estén totalmente asentados.

Aditamentos usados

DD Cerrojo de leva grande  x 2

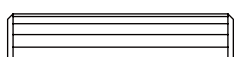
FF Espiga grande de madera  x 2

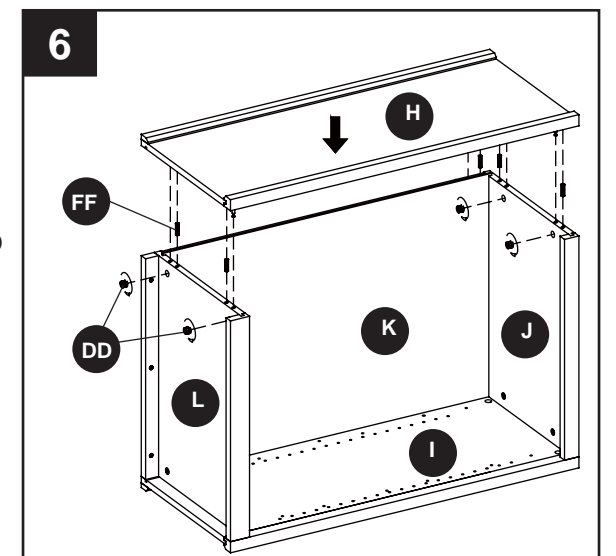
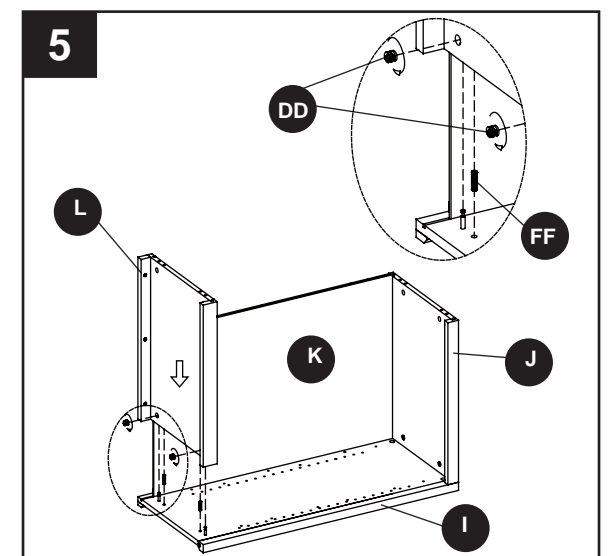
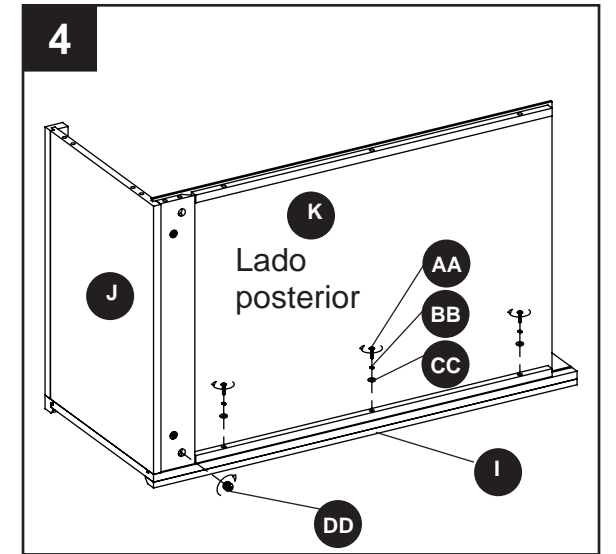
6. Fije el panel de base izquierdo (H) al ensamblaje con las espigas grandes de madera (FF) y los cerrojos de leva grandes (DD).

Nota: asegúrese de que los pernos de leva medianos (EE) colocados previamente en el panel de base izquierdo (H) estén totalmente asentados.

Aditamentos usados

DD Cerrojo de leva grande  x 4

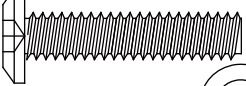




FF Espiga grande de madera  x 5



INSTRUCCIONES DE ENSAMBLAJE

7. Desde la parte posterior del ensamblaje, fije el panel de base izquierdo (H) al panel de base posterior (K) con las arandelas planas (CC), las arandelas de seguridad (BB) y los pernos (AA). Apriete con una llave de tuercas Allen (LL). Asegure el panel de base superior (J) con los cerrojos de leva grandes (DD).

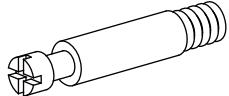
Aditamentos usados

| | | | |
|-----------|------------------------|---|-----|
| AA | Perno |  | x 3 |
| BB | Arandela de seguridad |  | x 3 |
| CC | Arandela plana |  | x 3 |
| DD | Cerrojo de leva grande |  | x 1 |
| LL | Llave de tuercas Allen |  | x 1 |

Ensamblaje de la repisa

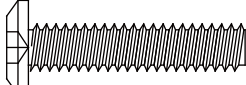



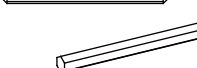

8. Inserte los pernos de leva medianos (EE) en el panel de repisa izquierdo (A) y el panel de repisa derecho (B) y el panel de repisa superior (C).

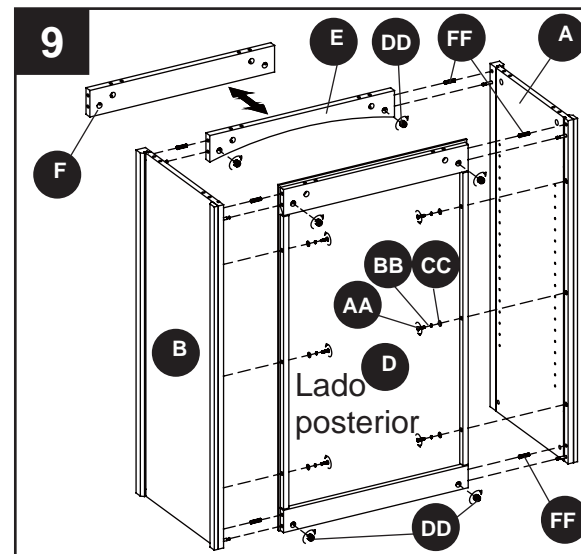
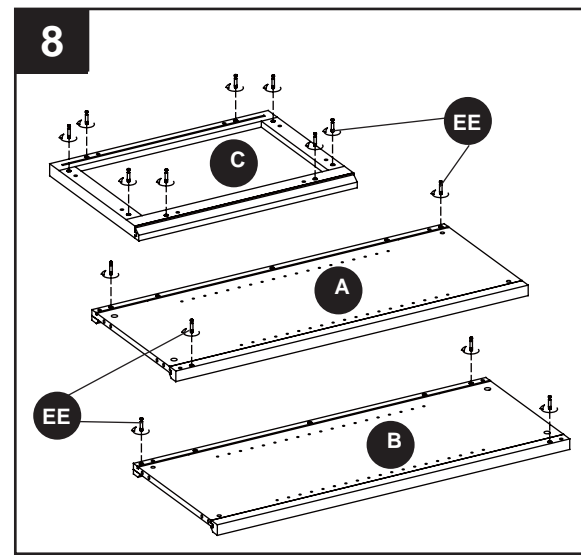
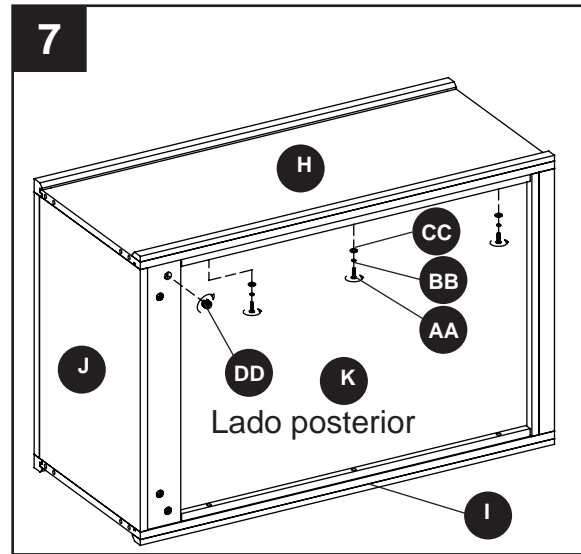
Aditamentos usados

| | | | |
|-----------|-----------------------|--|------|
| EE | Perno de leva mediano |  | x 14 |
|-----------|-----------------------|--|------|

9. Fije el panel de repisa izquierdo (A) y el panel de repisa derecho (B) al panel de repisa posterior (D), y ya sea el extensor curvo frontal (E) o el extensor recto frontal (F) (según cual de estos se adapta al estilo de su armario) utilice espigas grandes de madera (FF) y cerrojos de leva grandes (DD). En la parte posterior del ensamblaje, use las arandelas planas (CC), las arandelas de seguridad (BB) y los pernos (AA) para asegurar la unidad. Apriete con una llave de tuercas Allen (LL). Luego, asegure el ensamblaje con cerrojos de leva grandes (DD).

Aditamentos usados


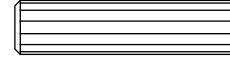
| | | | |
|-----------|-------------------------|---|-----|
| AA | Perno |  | x 6 |
| BB | Arandela de seguridad |  | x 6 |
| CC | Arandela plana |  | x 6 |
| DD | Cerrojo de leva grande |  | x 6 |
| FF | Espiga grande de madera |  | x 6 |
| LL | Llave de tuercas Allen |  | x 1 |

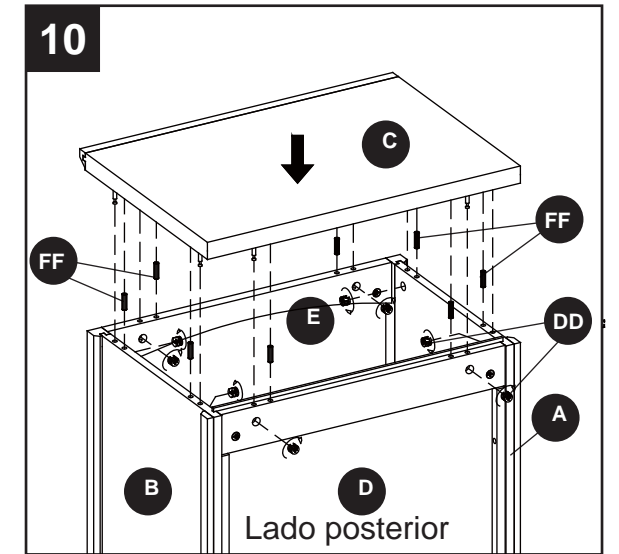


INSTRUCCIONES DE ENSAMBLAJE

10. Introduzca las espigas de madera (FF) y los cerrojos de leva grandes (DD) en el ensamblaje de la repisa. Fije el panel de repisa superior (C), y apriete los cerrojos de leva grandes (DD) para que el ensamblaje quede seguro.

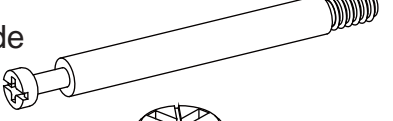
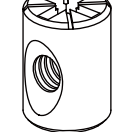
Aditamentos usados

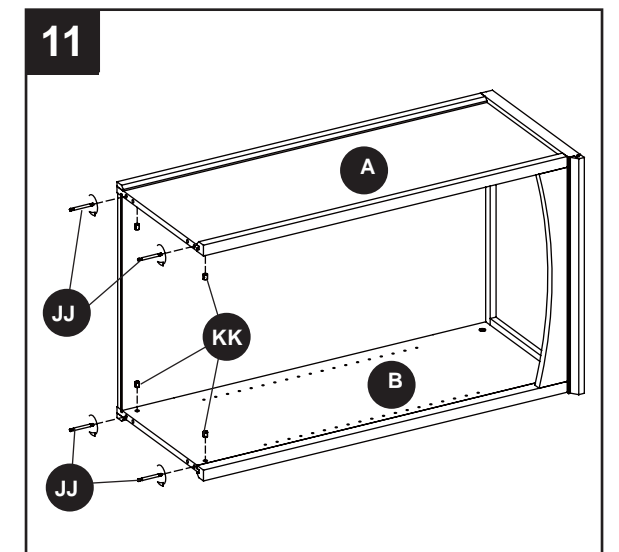
| | | | |
|-----------|-------------------------|---|-----|
| DD | Cerrojo de leva grande |  | x 8 |
| FF | Espiga grande de madera |  | x 8 |



11. Cuidadosamente, apoye el ensamblaje de la repisa de costado. Coloque las tuercas cilíndricas (KK) y los pernos de leva grandes (JJ) en la parte inferior del ensamblaje de la repisa.

Aditamentos usados

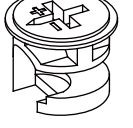

| | | | |
|-----------|----------------------|---|-----|
| JJ | Perno de leva grande |  | x 4 |
| KK | Tuerca cilíndrica |  | x 4 |

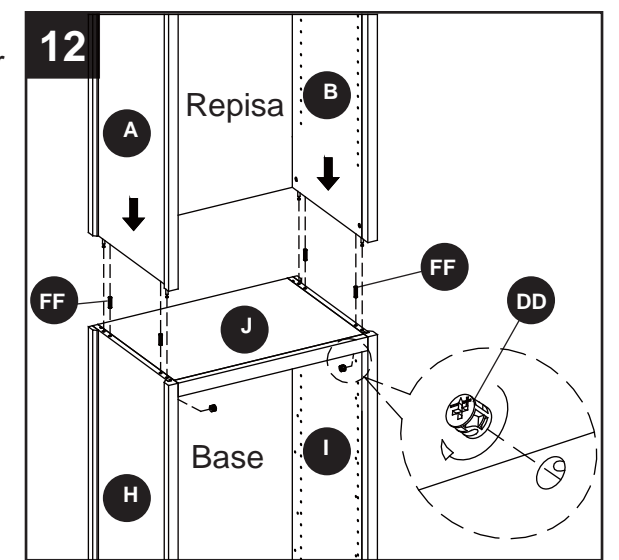


12. Coloque las espigas grandes de madera (FF) y los cerrojos de leva grandes (DD) en el panel de base superior (J). Luego, con la ayuda de otra persona, fije el ensamblaje de la repisa al ensamblaje de la base, y apriete los cerrojos de leva grandes (DD) para asegurar la unidad.

Nota: asegúrese de que los pernos de leva grandes (JJ) estén totalmente asentados.

Aditamentos usados

| | | | |
|-----------|-------------------------|---|-----|
| DD | Cerrojo de leva grande |  | x 4 |
| FF | Espiga grande de madera |  | x 4 |

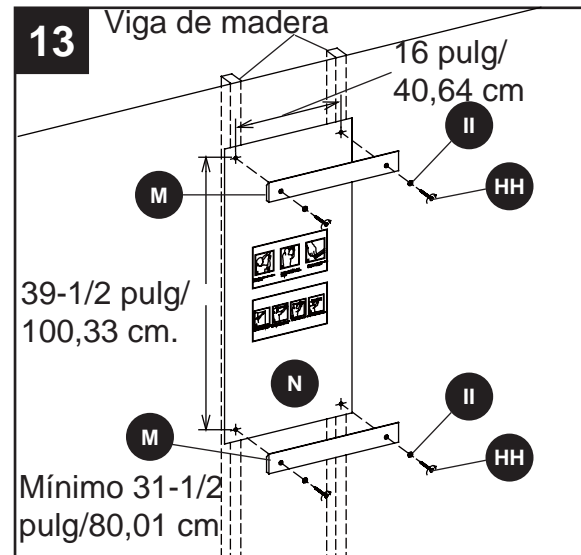


INSTRUCCIONES DE ENSAMBLAJE

Instalación colgante para pared


13. Con un detector de vigas, localice los bordes de las vigas de madera. Localice la línea central de cada viga y trace una línea vertical como referencia en la pared sobre cada una. Coloque la plantilla de instalación (N) en el lugar deseado sobre la pared.

Nota: la parte inferior de la plantilla de instalación (N) debe quedar a no más de 31-1/2 pulg/80,01 cm del piso. Marque con un lápiz (no se incluye) los orificios de montaje y deseche la plantilla de instalación (N). Taladre orificios guía de 3/16 pulg/0,48 cm en las ubicaciones marcadas. Luego, con el borde biselado hacia arriba, fije los listones de colgante para pared (M) con arandelas planas grandes (II) y tirafondos (HH).

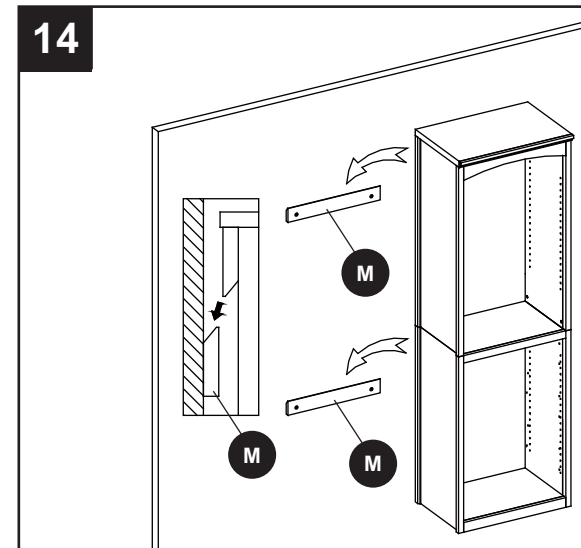


Aditamentos usados

HH Tirafondo  x 4

II Arandela de seguridad  x 4

14. Con la ayuda de otra persona, cuidadosamente cuelgue la unidad en los listones de colgantes para pared (M).



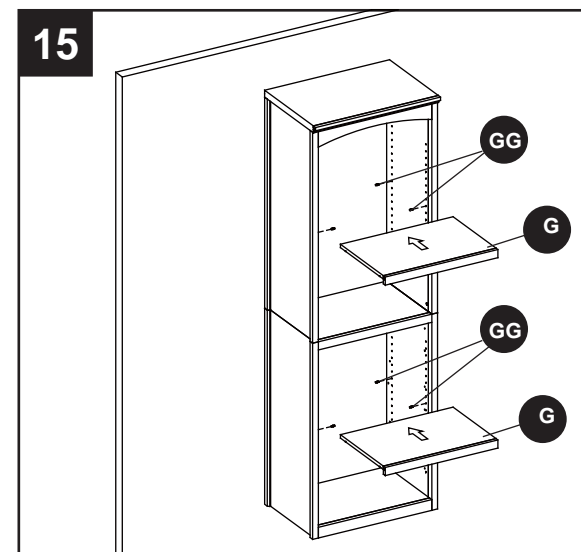
Instalación de los estantes

15. Introduzca los pasadores de estantes (GG) en el lugar que desee en la torre, luego coloque el estante ajustable (G) sobre la parte superior. Repita el mismo procedimiento para el segundo estante ajustable (G).

Nota: asegúrese de que los pasadores de estantes (GG) estén nivelados.

Aditamentos usados

GG Pasador de estante  x 8



CUIDADO Y MANTENIMIENTO

- Revise periódicamente para asegurarse de que todos los componentes estén ubicados de forma correcta, no presenten daños y estén firmemente conectados.
- Use un paño suave y limpio que no raye la superficie al limpiarla.
- Nunca utilice agua para limpiar los muebles, ya que puede provocar daños en el acabado.
- Limpie con un paño húmedo y un limpiador suave. Seque con un paño limpio.
- En caso de que el mueble se tiña o se dañe durante el uso, le recomendamos que llame a un profesional para repararlo.
- Mantenga el mueble lejos de la luz solar directa, ya que puede provocar daños en el acabado.
- Es mejor mantener los muebles en un ambiente climatizado. Los cambios extremos de temperatura y de humedad pueden ocasionar decoloración, deformación, contracciones y grietas en la madera.
- Se proporciona un aplicador de retoque (MM) (excepto en el artículo # 0339209) para reparar cualquier rasguño o rayón pequeño que puedan ocurrir durante el ensamblaje o envío. En caso de dañarse el artículo # 0339209 y de necesitar un retoque, aplique un pulidor de madera de buena calidad sobre la superficie dañada.

SOLUCIÓN DE PROBLEMAS

| PROBLEMA | CAUSA POSIBLE | ACCIÓN CORRECTIVA |
|---|---|---|
| La torre del armario está inclinada. | Los listones de colgante para pared no están nivelados. | Vuelva a instalar los listones de colgante para pared y asegúrese de que queden nivelados. |
| No puede colgar la torre del armario en la pared. | Las ubicaciones de los orificios de montaje no son las correctas. | Vuelva a instalar los listones de colgante para pared; asegúrese de que el espacio entre los dos listones de colgante para pared sea de 39-1/2 pulg/100,33 cm y de que la ubicación de los dos orificios de montaje de la parte inferior no quede a menos de 31-1/2 pulg/80,01 cm del piso. |

GARANTÍA

La garantía de este producto (exclusiva de las repisas) es válida para el comprador original. Si esta unidad presenta alguna falla debido a defectos en los materiales o la mano de obra, el fabricante reemplazará o reparará este artículo sin cargos y a su discreción. La garantía se anula si el producto no se ensambló correctamente y debido al mal uso, abuso por sobrecarga, modificación de cualquier tipo o daños producidos por un accidente. Esta garantía no es transferible y no cubre el desportillado, desprendimiento, rayones, oxidación, abolladuras u otros daños en la superficie de este producto. La responsabilidad del fabricante se limita a la reparación o el reemplazo de este producto. El fabricante no se hará responsable por daños accidentales o resultantes u otros daños o pérdidas causadas por fallas del producto.

Esta garantía reemplaza a todas las demás garantías explícitas. Algunos estados no permiten la exclusión o limitación de los daños accidentales o resultantes, de modo que las limitaciones anteriores pueden no aplicarse en su caso. Esta garantía le otorga derechos legales específicos, y podría tener otros derechos, que varían según el estado.

LISTA DE PIEZAS DE REPUESTO

Para obtener piezas de repuesto, llame a nuestro Departamento de Servicio al Cliente al 1-866-439-9800, de lunes a viernes de 8 a.m. a 8 p.m., hora estándar del Este.

| PIEZA | DESCRIPCIÓN | PIEZA # |
|-------|-------------------------------|-----------------------------|
| A | Panel de repisa izquierdo | *WSWS-WU1C/W/P/S-1-HPL |
| B | Panel de repisa derecho | *WSWS-WU1C/W/P/S-2-HPR |
| C | Panel de repisa superior | *WSWS-WU1C/W/P/S-3-HPT |
| D | Panel de repisa posterior | *WSWS-WU1C/W/P/S-4-HPB |
| E | Extensor curvo frontal | *WSWS-WU1C/W/P/S-5-FCS |
| F | Extensor recto frontal | *WSWS-WU1C/W/P/S-6-FCS |
| G | Estante ajustable | *WSWS-WU1C/W/P/S-7-AS |
| H | Panel de base izquierdo | *WSWS-WU1C/W/P/S-8-BPL |
| I | Panel de base derecho | *WSWS-WU1C/W/P/S-9-BPR |
| J | Panel de base superior | *WSWS-WU1C/W/P/S-10-BPT |
| K | Panel de base posterior | *WSWS-WU1C/W/P/S-11-BPB |
| L | Panel de base inferior | *WSWS-WU1C/W/P/S-12-BPB |
| M | Listón de colgante para pared | *WSWS-WU1C/W/P/S-13-WHC |
| N | Plantilla de instalación | *WSWS-WU1C/W/P/S-26-IT |
| AA | Perno | *WSWS-WU1C/W/P/S-15-1-1/4B |
| BB | Arandela de seguridad | *WSWS-WU1C/W/P/S-16-LW |
| CC | Arandela plana | *WSWS-WU1C/W/P/S-17-FW |
| DD | Cerrojo de leva grande | *WSWS-WU1C/W/P/S-18-LCL |
| EE | Perno de leva mediano | *WSWS-WU1C/W/P/S-19-MCB |
| FF | Espiga grande de madera | *WSWS-WU1C/W/P/S-20-LWD |
| GG | Pasador de estante | *WSWS-WU1C/W/P/S-21-SP |
| HH | Tirafondo | *WSWS-WU1C/W/P/S-22-2-1/2LB |
| II | Arandela plana grande | *WSWS-WU1C/W/P/S-23-LFW |
| JJ | Perno de leva grande | *WSWS-WU1C/W/P/S-26-LCB |

LISTA DE PIEZAS DE REPUESTO

Para obtener piezas de repuesto, llame a nuestro Departamento de Servicio al Cliente al 1-866-439-9800, de lunes a viernes de 8 a.m. a 8 p.m., hora estándar del Este.

| PIEZA | DESCRIPCIÓN | PIEZA # |
|-------|------------------------|--------------------------|
| KK | Tuerca cilíndrica | *WSWS-WU1C/W/P/S-27-BN |
| LL | Llave de tuercas Allen | *WSWS-WU1C/W/P/S-24-M4AW |
| MM | Aplicador de retoque | *WSWS-WU1C/W/S-25-TUP |
| | Todos los aditamentos | *WSWS-WU1C/W/P/S-14-CH |

